

Parts Catalogue



MGB & MGB GT 1962 to 1980

MGL0003B



INDEX

PAGES

QUICK REFERENCE INDEX

xi-xii

SECTION A POWER UNIT

AA	Three Bearing Engine, Block and Crank	1-2
AB	Three Bearing Engine, Cylinder Head	3-4
AC	Three Bearing Engine, F/R Plates, Oil Pump and Sump	5-6
AD	Five Bearing Engine, Block and Crank	7-9
AE	Five Bearing Engine, Cylinder Head	10-12
AF	Five Bearing Engine, F/R Plates, Oil Pump and Sump	13-14
AG	Oil Filters	15-16
AH	Oil Coolers	17
AI	Clutch Assembly	18
AJ	Clutch Hydraulics	19
AK	Engine Mountings	20
AL	Transmission Mountings	21-22

SECTION B CARBURATION AND MANIFOLDS

BA	Engine Controls HS4	23
BB	Engine Controls HIF Chrome Bumper	24
BC	Engine Controls HIF Rubber Bumper	25
BD	Heat Shields & Air Filters	26
BE	Manifolds	27
BF	HS4 Carburettors	28-29
BG	HIF Carburettors	30-31

SECTION C TRANSMISSION

CA	3 Synchro Std. Assembly	32-33
CB	3 Synchro Std. Selectors	34
CC	3 Synchro O/Drive Assembly	35-36
CD	3 Synchro O/Drive Selectors	37
CE	3 Synchro Internals	38-39
CF	3 Synchro Overdrive	40-41
CG	4 Synchro Assembly	42-43
CH	4 Synchro Selectors	44
CI	4 Synchro Internals	45-46
CJ	4 Synchro Overdrive	47-48
	For Automatic Models, see Section VA	

SECTION D COOLING SYSTEM

DA	Mechanical Fan Cooling System	49-50
DB	Electric Fan Cooling System	51-52
DC	Thermostat and Heater Pipes	53
DD	Heater Assembly	54-56

SECTION E EXHAUST SYSTEM

EA	Mild and Stainless Exhaust Systems	57-58
----	------------------------------------	-------

SECTION F FUEL SUPPLY

FA	Fuel Tanks	59-60
FB	Fuel Pumps and Fixings	61-62
FC	Fuel Lines and Fixings	63-64

SECTION G STEERING ASSEMBLIES

GA	Steering Column, Non Collapsible	65-66
GB	Steering Column, Collapsible	67-68
GC	Steering Racks	69-70

Vehicle Identification Numbering (V.I.N.)

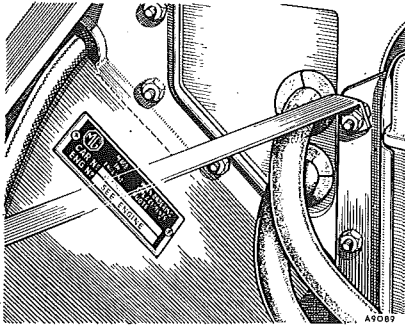
From No. 501001 onwards

The V.I.N. system replaced the earlier car numbering system from the introduction of the 1980 model year.

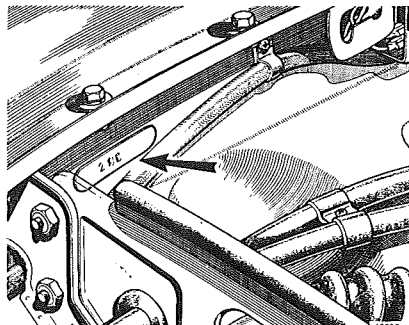
1st & 2nd Prefix Letters (marque + model) GV-MGB	3rd Prefix Letter (class) A- Base Line G- GT J- Japanese L- Canadian V- North American Z- Californian	4th Prefix Letter (body) D- 2 Door Sports Open E- 2 Door Sports Closed	5th Prefix Letter (engine) J- 1800cc
6th Prefix Number (transmission & steering) 1 - Manual 4 speed R.H.D. 2 - Manual 4 speed L.H.D.		7th Prefix Number (model change) A - 1980 Model Year	8th Prefix Number (assembly plant) G- Abingdon

Thus: G V A D J 1 A G - 501001 is an MGB, Home Market spec, open bodied, 1800cc, R.H.D., 1980 model.

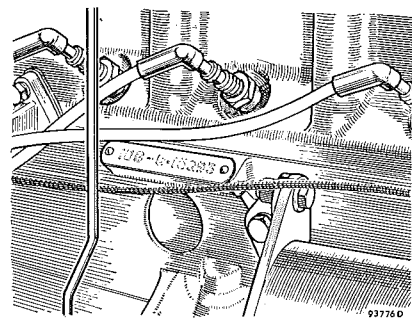
LOCATION OF UNIT NUMBERS



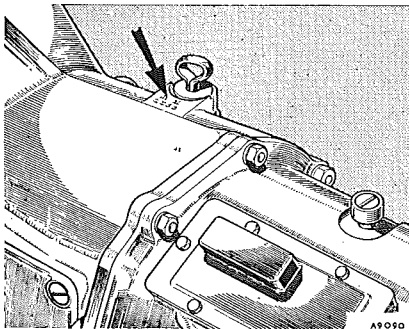
The **Car Number** is stamped on a plate secured to the left-hand wing valance forward of the radiator



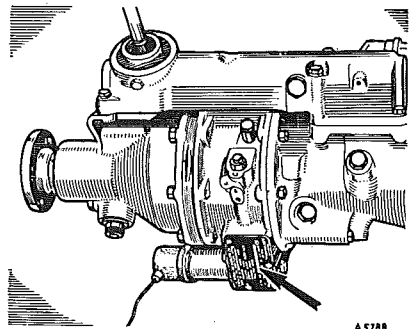
The **Body Number** is stamped on a plate secured to the right-hand front valance behind the radiator diaphragm



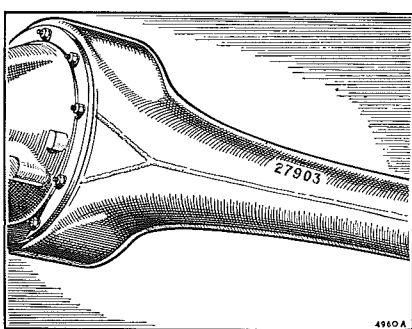
The **Engine Number** is stamped on a plate secured to the right-hand side of the cylinder block



The **Gearbox Number** is stamped on the top of the gearbox casing adjacent to the dipstick



The **Overdrive Unit Number** is stamped on the solenoid side cover on the right-hand side of the unit



The **Rear Axle Number** is stamped on the front of the axle tube on the left-hand side adjacent to the spring seat

Moss Customer No. _____

Chassis/Car No. _____

Engine No. _____

Ignition Key No. _____ Boot Key No. _____

Door Key No. _____ Reg No. _____

General Information

SECTION	H	AXLES AND SUSPENSION	PAGES
	HA	Front Suspension and Crossmember	71-72
	HB	Swivels, Front Hubs and Bearings	73-74
	HC	Anti Roll Bar and Lower Arms	75
	HD	Rear Suspension and Anti Roll Bar	76-78
	HE	Propshafts	79
	HF	Banjo Rear Axle, 1962-66	80-81
	HG	Tube Rear Axle, 1965 On	82-84
SECTION	J	BRAKE LINES AND CYLINDERS	
	JA	Front and Rear Brake Components	85-86
	JB	Single Line Brake Master Cylinder	87
	JC	Dual Line Brake Master Cylinder	88
	JD	Single Line Circuit Pipes and Fittings	89-90
	JE	Dual Line Circuit Pipes and Fittings	91
SECTION	K	PEDAL BOX, PEDAL AND HANDBRAKE	
	KA	Pedal Box Assembly, 1962-78	92
	KB	Pedal Box Assembly, 1978 On	93
	KC	Handbrake System	94-95
SECTION	L	ELECTRICAL SYSTEMS	
	LA	Dynamo Assembly, 1962-67	96
	LB	Alternator Assembly, 1967 On	97-98
	LC	Starter Motors	99
	LD	Distributors	100-101
	LE	Vacuum Pipes, Coil, HT Leads and Fittings	102
	LF	Batteries, Control Boxes, Fuses and Relays	103
	LG	Horns, O/Drive Electrics and Accessories	104
SECTION	M	LIGHTING, DASHBOARDS AND SWITCHGEAR	
	MA	Headlights, and Front Indicators & Sidelights	105-106
	MB	Rear Lamp Assemblies	107
	MC	Interior Lamps & Fog Lamps	108
	MD	Dash Panel, 1962-76	109-110
	ME	Switches, 1962-71	111-112
	MF	Switches, 1972-76	113
	MG	Dash Panel and Switches 72-76	114-115
SECTION	N	GAUGES, WINDSHIELD WIPERS AND HARNESSSES	
	NA	Gauges, 1962-76	116-117
	NB	Gauges, 1976 On	118
	NC	Windshield Wiper Assemblies, 1962-67	119
	ND	Windshield Wiper Assemblies, 1967 On	120
	NE	Windshield Washers and Pumps	121
	NF	Wiring Harnesses and Fittings	122-124
SECTION	O	BODYSHELL AND FITTINGS	
	OA	Bodyshells & Subassemblies	125
	OB	Front and Rear Wings, Valances and Roof Panels	126-128
	OC	Front Chassis Panels and Sills	129-130
	OD	Floor Pans, Wheel Arches and Rear Chassis Members	131-132
	OE	Grommets and Body Fittings	133
	OF	Doors and Fittings	134-135
	OG	Door Locks and Handles	136-138
	OH	Front 1/4 Lights and Dropglasses	139-141
	OI	Bonnet, Seals and Fittings	142
	OJ	Boot Lid and Tailgate	143
	OK	Boot Lid and Tailgate Seals and Badges	144

SECTION	P	RADIATOR GRILLES AND DUCTS; BUMPERS	PAGES
	PA	Radiator Grilles, Badges and Ducting	145
	PB	Front Bumper Assemblies	146-147
	PC	Rear Bumper Assemblies	148
SECTION	Q	WINDSCREENS, REAR 1/4 LIGHTS AND BACKLIGHTS	
	QA	Windscreen Assembly, Roadster	149-150
	QB	Windscreen Backlights and Finishers, GT	151-152
	QC	Mirrors and Seatbelts	153
SECTION	R	INTERIOR TRIM AND SOFT TOPS	
	RA	Hoods	154
	RB	Hood Fittings, Tonneaus	155-156
	RC	Seat Covers & Foams	157-159
	RD	Seat Hardware	160-161
	RE	Interior Trim	162-164
	RF	Trim Hardware, Roadster	165-166
	RG	Trim Hardware, GT	167-168
	RH	GT Rooflining & Rear Compartment	169
	RI	Draught Excluders & Door Cappings	170-171
	RJ	Mats & Carpets	172-174
SECTION	S	ROAD WHEELS	
	SA	Road Wheels & Tools	175-176
SECTION	T	PAINTS & DECALS	
	TA	Paints & Striping Kits	177-178
	TB	Chassis Plates & Decals	179-180
SECTION	U	ACCESSORIES	
	UA	Accessories & Publications	181-183
	UB	Alternative Interior Trim	184
SECTION	V	MGB AUTOMATIC COMPONENTS	
	VA	MGB Automatic (1968-73)	185-186
SECTION	W	EXPORT MARKETS COMPONENTS	
	WA	Mechanical Parts	187-188
	WB	Electrical Parts	188-189
	WC	Gauges	190

QUICK REFERENCE INDEX

A		B		A		B	
Description	Page No	Description	Page No	Description	Page No	Description	Page No
Accelerator cable (HIF '73-'74)	24	Bumper (front/rubber)	147	Dynamo	96		
Accelerator cable (HIF 1974 on)	25	Bumper (rear/chrome)	148	Dynamo adjusting link	96		
Accelerator cable (HS4 up to 1973)	23	Bumper (rear/rubber)	148	Dynamo pulley/fan	96		
Accelerator pedal (HIF '73-'74)	24	Cam follower (3 main bearing)	1	Electrical switches ('62-'71)	111		
Accelerator pedal (HIF 1974 on)	25	Cam follower (5 main bearing)	8	Electrical switches ('72-'76)	113		
Accelerator pedal (HS4 up to 1973)	23	Camshaft (3 main bearing)	1	Electrical switches ('76 on)	115		
Accessories (body)	182	Camshaft (5 main bearing)	8	Electronic ignition sets	102		
Accessories (car care)	181	Carburettor heat shield	26	Engine assembly (3 main bearing)	1		
Accessories (mechanical)	182	Carburettor Jets (HIF carburettors)	31	Engine assembly (5 main bearing)	7		
Accessories (personal)	183	Carburettor jets (HS4 carburettors)	28	Engine backplate (3 main bearing)	5		
Accessories (tools)	181	Carburettors HIF4	30	Engine backplate (5 main bearing)	13		
Accessories (wheels + fittings)	181	Carburettors HS4	28	Engine breather valve/pipes	26		
Air filter	26	Carpet sets	172	Engine frontplate (3 main bearing)	5		
Air intake grille	142	Chassis plates	179	Engine frontplate (5 main bearing)	13		
Air vents ('72-'76)	110	Choke cable (HIF '72-'74)	24	Engine gasket sets (3 main bearing)	2		
Air vents (1976 on)	114	Choke cable (HIF 1976 on)	25	Engine gasket sets (5 main bearing)	9		
Alternative interior trim	184	Choke cable (HS4 up to 1973)	23	Engine mountings	20		
Alternator	97	Cigarette lighter (1976 on)	114	Exhaust manifold	27		
Alternator adjusting link	98	Cigarette lighter (up to 1976)	111	Exhaust manifold gasket ('62-'64)	4		
Alternator pulley/fan	98	Clutch cover	18	Exhaust manifold gasket (1964 on)	12		
Ancillary gauges ('62-'76)	116	Clutch fork	18	Exhaust manifold studs/nuts			
Ancillary gauges (1976 on)	118	Clutch kit (3 piece)	18	('62-'64)	4		
Anti roll bar (front)	75	Clutch lever (3 synchro)	32	Exhaust manifold studs/nuts			
Anti roll bar (rear)	78	Clutch lever (4 synchro)	42	(1964 on)	12		
Anti roll bar link	75	Clutch master cylinder	19	Exhaust mountings/clamps	58		
Ash tray ('62-'76)	110	Clutch pedal	92	Exhaust systems	57		
Ash tray (1976 on)	114	Clutch pipes	19	Exhaust valves (3 main bearing)	4		
Axle check strap	77	Clutch plate	18	Exhaust valves (5 main bearing)	12		
		Clutch push rod	19	Expansion tank (1976 on)	51		
Badges (front of body)	145	Clutch release bearing	18	Export model components	187		
Badges (rear of body)	144	Clutch slave cylinder	19				
Batteries	103	Cockpit moulding	165	Facia crash rail ('62-'73)	109		
Battery cables	103	Coil (Ignition)	102	Facia crash rail ('73-'76)	109		
Battery clamp kits	103	Coil spring	72	Facia crash rail ('76 on)	114		
Battery cover	131	Con rods (3 main bearing)	2	Fan belt	50		
Big end bearing set (5 main bearing)	8	Con rods (5 main bearing)	8	Fan blade	50		
Big end bearing set (3 main bearing)	2	Condenser (25D Distributors)	100	Fan guard	51		
Blanking plugs/Grommets	133	Condenser (45D4 Distributors)	101	Fan motor	51		
Body panels (inner/front chassis)	129	Contact sets (points)	100	Flasher unit	111		
Body panels (inner/rear chassis)	131	Control box	103	Floor pan	131		
Body panels (outer)	126	Copper brake pipe kits	89	Flywheel (3 synchro)	2		
Body panels (subassemblies)	125	Crankshaft (3 main bearing)	2	Flywheel (4 synchro)	9		
Bodyshells	125	Crankshaft (5 main bearing)	9	Fog lamp	108		
Bonnet	142	Crankshaft main bearings		Front suspension crossmember	71		
Bonnet buffers	142	(3 main bearing)		Front valances	126		
Bonnet prop/stay	142	Crankshaft main bearings		Front wings	126		
Bonnet release cable	142	(5 main bearing)		Fuel filter	63		
Books and publications	183	Crankshaft thrust washers		Fuel pipes/fittings (HIF carburettors)	64		
Boot carpet	184	(3 main bearing)		Fuel pipes/fittings (HS carburettors)	63		
Boot floor assembly (GT)	169	Crankshaft thrust washers		Fuel pump	61		
Boot latches/locks	144	(5 main bearing)		Fuel tank	59		
Boot lid stay	143	Cylinder head studs		Fuel tank sender unit ('62-'65)	59		
Boot lid/taillgate	143	(3 main bearing)		Fuel tank sender unit (1965 on)	59		
Brake caliper	85	Cylinder head studs		Fuse box	103		
Brake disc	85	(5 main bearing)		Fuses	124		
Brake drum	85	Cylinder heads (3 main bearing)	4	Gear lever gaiter (3 synchro)	33		
Brake drum adjusters	86	Cylinder heads (5 main bearing)	12	Gear lever gaiter (4 synchro)	42		
Brake drum adjusting spanner	86	Dashboards ('62-'76)	109	Gear lever knob (3 synchro)	32		
Brake hoses (front)	89	Dashboards (1976 on)	114	Gear lever knob (4 synchro)	43		
Brake hoses (rear)	89	Decal kits	180	Gearbox assembly (automatic)	185		
Brake light switch		Decals	179	Gearbox assembly (3 synchro)	32		
dual circuit brakes)	92	Differential (banjo axle)	80	Gearbox assembly			
Brake light switch		Differential (tube axle)	82	(3 synchro/overdrive)	35		
(single circuit brakes)	89	Distributor cap	100	Gearbox assembly (4 synchro)	42		
Brake master cylinder (dual line)	88	Distributor vacuum pipe	102	Gearbox crossmember (3 synchro)	21		
Brake master cylinder (single line)	87	Distributors	100	Gearbox crossmember (4 synchro)	22		
Brake pads	85	Door cappings/finishers	170	Gearbox internals (3 synchro)	38		
Brake pedal	92	Door glass	140	Gearbox internals (4 synchro)	45		
Brake pipe fittings	89	Door glass regulators	140	Gearbox mountings (3 synchro)	21		
Brake pipes	90	Door handles (interior/exterior)	136	Gearbox mountings (4 synchro)	22		
Brake servo ('62-'78)	87	Door hinges	134	Glove box ('62-'76)	109		
Brake servo (1978 on)	88	Door mirrors	153	Glove box (1976 on)	114		
Brake servo repair kit ('62-'78)	87	Door mouldings	135	Grilles	145		
Brake servo repair kit (1978 on)	88	Door panels (interior)	164	Gutter mouldings	151		
Brake shoes	85	Door seals	170	Halfshaft (banjo axle)	81		
Bulbs & bulb holders	124	Door shells	134	Halfshaft (tube axle)	83		
Bump stop (front)	71	Door striker plates	136	Halogen bulb	105		
Bump stop (rear)	77	Door/boot locks	136	Handbrake cable	94		
Bumper (front/chrome)	146			Handbrake clevis pin	86		

QUICK REFERENCE INDEX

A		B		A		B	
Description	Page No	Description	Page No	Description	Page No	Description	Page No
Handbrake lever assembly	94	Petrol cap	60	Steering column cowl ('62-'72)	111		
Handbrake pull off spring	85	Petrol tank filler hose	60	Steering column cowl ('72-'76)	113		
Head restraints	160	Petrol tank fitting kit	60	Steering column cowl (1976 on)	115		
Header rail seal	155	Piston rings (3 main bearing)	1	Steering columns ('62-'72)	65		
Headlamp bowl	105	Piston rings (5 main bearing)	7	Steering columns ('72 on)	67		
Headlamp rims	105	Pistons (3 main bearing)	1	Steering locks	66		
Headlamp units	105	Pistons (5 main bearing)	7	Steering rack	69		
Headlining	169	Propshaft	79	Steering wheels ('62-'72)	65		
Heater assembly	54	Push rod (3 main bearing)	1	Steering wheels ('72 on)	67		
Heater control cables ('62-'76)	54	Push rod (5 main bearing)	8	Steering wheels (Moto-lita)	66		
Heater control cables (1976 on)	55			Striping kits	178		
Heater control knobs ('62-'76)	54	Quarter light assemblies	139	Stub axle (inclu. king pin)	73		
Heater control knobs (1976 on)	55	Quarter light components	139	Sump (3 main bearing)	6		
Heater control valve	53			Sump (5 main bearing)	14		
Heater hoses	53	Radiator ('62-'76)	49	Sunvisors (GT)	169		
Heater matrix	54	Radiator ('76 on)	51	Sunvisors (roadster)	150		
Heater motor	54	Radiator diaphragm seal	142				
Hood fasteners	155	Radiator hoses ('62-'76)	49	Tachometers ('62-'76)	116		
Hood frames	155	Radiator hoses ('76 on)	51	Tachometers (1976 on)	118		
Hoods	154	Radio aerial	104	Tailgate stays (GT)	143		
Horn push ('62-'72)	65	Radio blanking kit (Up to 1976)	109	Tax disc holders	180		
Horn push (1972 on)	67	Radio blanking plate (1976 on)	114	Thermostat	52		
Horn units	104	Radio console ('72-'76)	110	Thermostat housing ('62-'64)	3		
Hub (front)	74	Radio console (1976 on)	114	Thermostat housing (1964 on)	10		
Hub (rear)	81	Rear lamp units	107	Threshold plates	135		
Hub bearing kit (banjo axle)	81	Rear quarter light (GT)	152	Timing chain (3 main bearing)	1		
Hub bearing kit (tube axle)	83	Rear quarter light seals (GT)	170	Timing chain			
Hub caps	175	Rear shackle/bush	77	(5 main bearing/Duplex)	8		
		Rear valances	127	Timing chain			
Ignition leads	102	Rear vew mirror	153	(5 main bearing/Simplex)	8		
Ignition switch	66	Rear window assembly (GT)	151	Timing chain tensioner			
Indicator assemblies		Rear wings	127	(3 main bearing)	2		
(front/chrome bumper)	105	Relief valve/spring (3 main bearing)	1	Timing chain tensioner			
Indicator assemblies		Relief valve/spring (5 main bearing)	8	(5 main bearing)	8		
(front/rubber bumper)	106	Reverse light	107	Timing cover (3 main bearing)	6		
Inlet manifold	27	Reverse light switch (3 synchro)	32	Timing cover (5 main bearing)	14		
Inlet valves (3 main bearing)	4	Reverse light switch		Tonneau covers	156		
Inlet valves (5 main bearing)	12	(3 synchro/overdrive)	35	Tonneau rails	156		
Inner wishbone pivot	72	Reverse light switch (4 synchro)	42	Top fulcrum pin	71		
Interior lamps	108	Road wheels	175	Top trunnion	73		
Interior trim kits	162	Rocker cover (3 main bearing)	3	Track rod end	69		
		Rocker cover (5 main bearing)	10	Tunnel console	110		
Jack	176	Rocker shaft (3 main bearing)	3				
		Rocker shaft (5 main bearing)	11	U bolts	77		
King pin assembly	73	Rostyle wheel trim ring	175	Universal joint (Propshaft)	79		
King pin dust tube kit	73	Rotor arm	100	Upper suspension bush	71		
		Rubber mats	172				
Leaf spring	76			Valve guide ('62-'64)	4		
Leaf spring fitting kit	77	Seat covers (front)	157	Valve guide ('64 on)	11		
Lock tab (brake caliper)	73	Seat covers (rear)	158	Valve springs ('62-'64)	4		
Lock tab set (3 main bearing engine)	2	Seat foams	159	Valve springs ('64 on)	11		
Lock tab set (5 main bearing engine)	9	Seat frames	160	Voltage regulator	103		
Luggage racks	143	Seat runners	160				
		Seat webbings	160	Washer bottle	121		
Map pocket	166	Seatbelts	153	Water pump ('62-'76)	50		
		Selector shaft (3 synchro)	34	Water pump (1976 on)	51		
Needles (HIF carburettors)	30	Selector shaft (3 synchro/overdrive)	37	Weatherstrips	135		
Needles (HS4 carburettors)	28	Selector shaft (4 synchro)	44	Wheel bearing (front)	73		
Number plate lamps	107	Shock absorber (front)	71	Wheel bearing (rear)	83		
Number plate supports	147	Shock absorber (rear)	76	Wheel cylinder	86		
		Sills (inner/outer)	130	Wheel nuts	176		
Oil cooler	17	Sound deadening kit	133	Windscreen assembly (GT)	151		
Oil filler cap (3 synchro cars)	3	Spare wheel clamp	176	Windscreen assembly (roadster)	149		
Oil filler cap (4 synchro cars)	10	Spark plugs (3 main bearing)	4	Windscreen washer jets	121		
Oil filter	15	Spark plugs (5 main bearing)	10	Wing mouldings	151		
Oil filter adaptor ('67-'69)	15	Speedometer cable ('62-'76)	116	Wiper arms/blades ('62-'67)	119		
Oil pump (3 main bearing)	6	Speedometer cable (1976 on)	118	Wiper arms/blades (1967 on)	120		
Oil pump (5 main bearing)	14	Speedometers ('62-'76)	116	Wiper motor ('62-'67)	119		
Overdrive (3 synchro)	40	Speedometers (1976 on)	118	Wiper motor (1967 on)	120		
Overdrive (4 synchro)	47	Spigot bush (3 main bearing)	2	Wiper rack ('62-'67)	119		
Overdrive relay	104	Spigot bush (5 main bearing)	9	Wiper rack (1967 on)	120		
Overdrive solenoid (3 synchro)	40	Spring pan	72	Wiper wheel boxes ('62-'67)	119		
Overdrive solenoid (4 synchro)	48	Starter motor	99	Wiper wheel boxes (1967 on)	120		
Overdrive switch	104	Starter motor solenoid	99	Wire wheel conversion kit	175		
Overriders (front)	146	Starter relay	103	Wire wheel hammer (Copper/Hide)	176		
Overriders (rear)	148	Starter solenoid	103	Wire wheel spinners	175		
		Steering arm	103	Wiring harness	122		
Paints	177	Steering column bushes ('62-'72)	73	Wiring harness fixings	122		
Pedal box (dual circuit brakes)	92	Steering column bushes ('72 on)	65	Wishbone arm	72		
Pedal box single circuit brakes)	92		67	Wishbone bush	72		



MGB 1962-1980
PARTS CATALOGUE

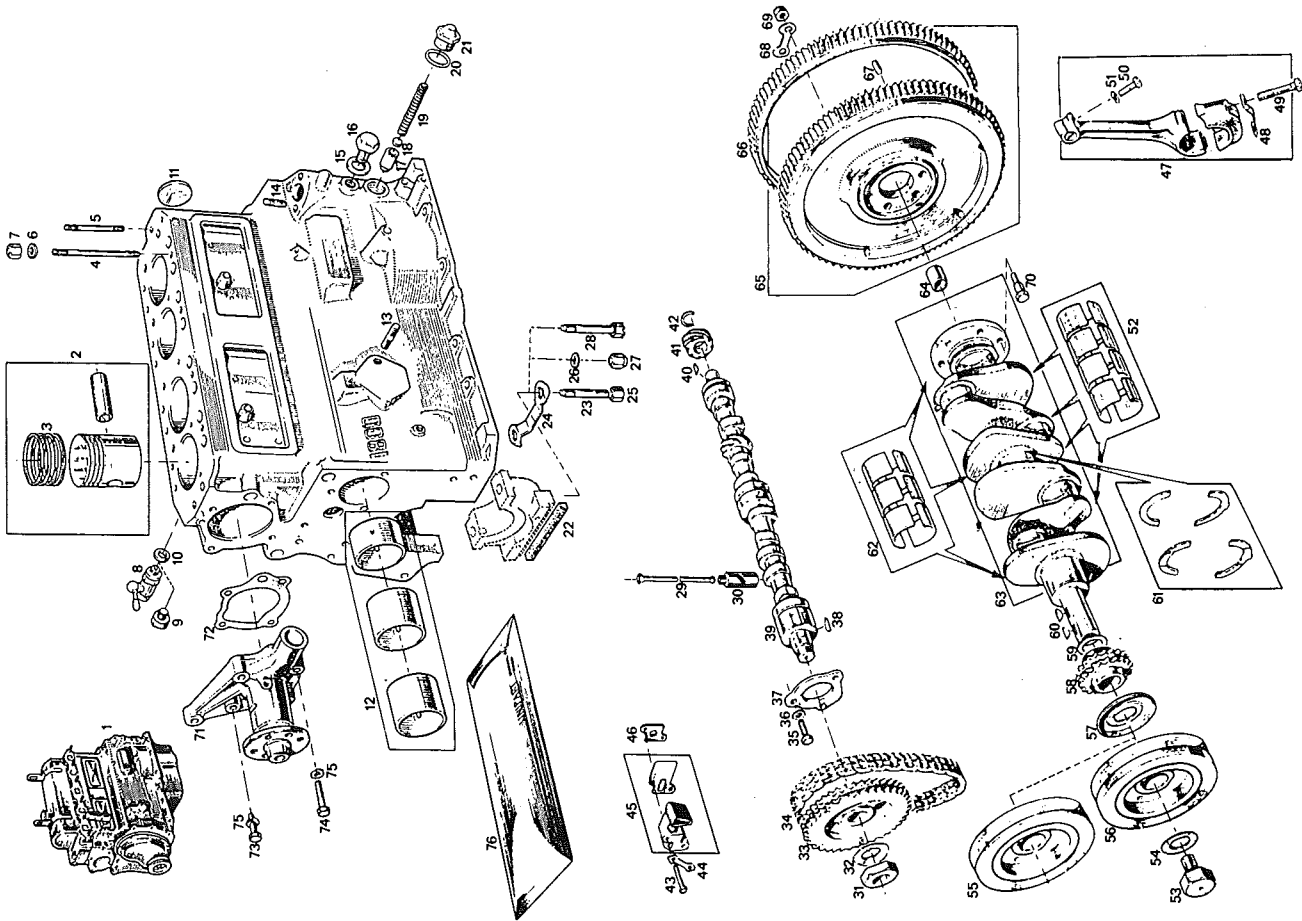
Section AA

18G & 18GA Power Unit, Block & 3 Main Bearing Crankshaft ('62-'64)

No.	Part No.	Description	Qty.	Remarks
AA001	48G343E	Engine Assembly	1	8.75:1 CR
AA002A	12H961STD	Piston Assembly (Standard)	4	With Rings & Gudgeon Pin
AA002B	12H961020	Piston Assembly	4	+20 thou Oversize
AA002C	12H961030	Piston Assembly	4	+30 thou Oversize
AA002D	12H961040	Piston Assembly	4	+40 thou Oversize
AA002E	12H961060	Piston Assembly	4	+60 thou Oversize
AA003A	8G2506	Car Set of Piston Rings	1	Standard Size
AA003B	8G2506020	Car Set of Piston Rings	1	+20 thou Oversize
AA003C	8G2506030	Car Set of Piston Rings	1	+30 thou Oversize
AA003D	8G2506040	Car Set of Piston Rings	1	+40 thou Oversize
AA003E	8G2506060	Car Set of Piston Rings	1	+60 thou Oversize
AA004	51K281	Head Stud, Long	4	
AA005	51K282	Head Stud, Short	7	
AA006	GHF302	Washer, Flat	11	
AA007	51K1193	Head Nut	11	
AA008	3H576	Water Jacket Drain Tap	1	
AA009	53K2853	Water Jacket Drain Plug	1	
AA010	2K4975	Sealing Washer	1	
AA011	2K8169	Core Plug	4	
AA012	BHM1212	Cam Bearing Set	1	
AA013	53K257	Stud, Breather Pipe	1	
AA014	53K2171	Stud, Rev Counter Drive	2	
AA015	6K638	Sealing Washer	1	
AA016	53K2853	Blanking Plug	1	
AA017	12H865	Relief Valve	1	
AA018	AEH798	Relief Valve Packing	1	
AA019	1H756	Relief Valve Spring	1	
AA020	6K431	Relief Valve Sealing Washer	1	
AA021	12A1851	Relief Valve Cap	1	
AA022	12H1638	Main Bearing Cap Seal	2	
AA023	51K1482	Main Bearing Stud	6	
AA024	12H987	Main Bearing Cap Lock Tab	3	
AA025	FNZ508	Main Bearing Nut	6	
AA026	ACA5521	Main Bearing Washer	6	
AA027	LNN208	Main End Nut Nyloc	6	
AA028	12B2356	Main End Bolt	6	
AA029	11G241	Push Rod	8	
AA030	12H3167	Cam Follower	8	
AA031	6K629	Camshaft Nut	1	
AA032	2A759	Camshaft Lock Tab	1	
AA033	11G203	Camshaft Drive Gear	1	
AA034	2H4905	Duplex Timing Chain	1	
AA035	GHF117	Retaining Screw	3	
AA036	GHF321	Washer, Star	3	
AA037	12H1673	Camshaft Retaining Plate	1	
AA038	WKN505	Camshaft Key Front	1	
AA039	88G252	Camshaft	1	
AA040	WKN304	Camshaft Key Rear	1	
AA041	1H730	Rev Counter Drive Gear	1	
AA042	1H605	Camshaft Circlip	1	

Alternative

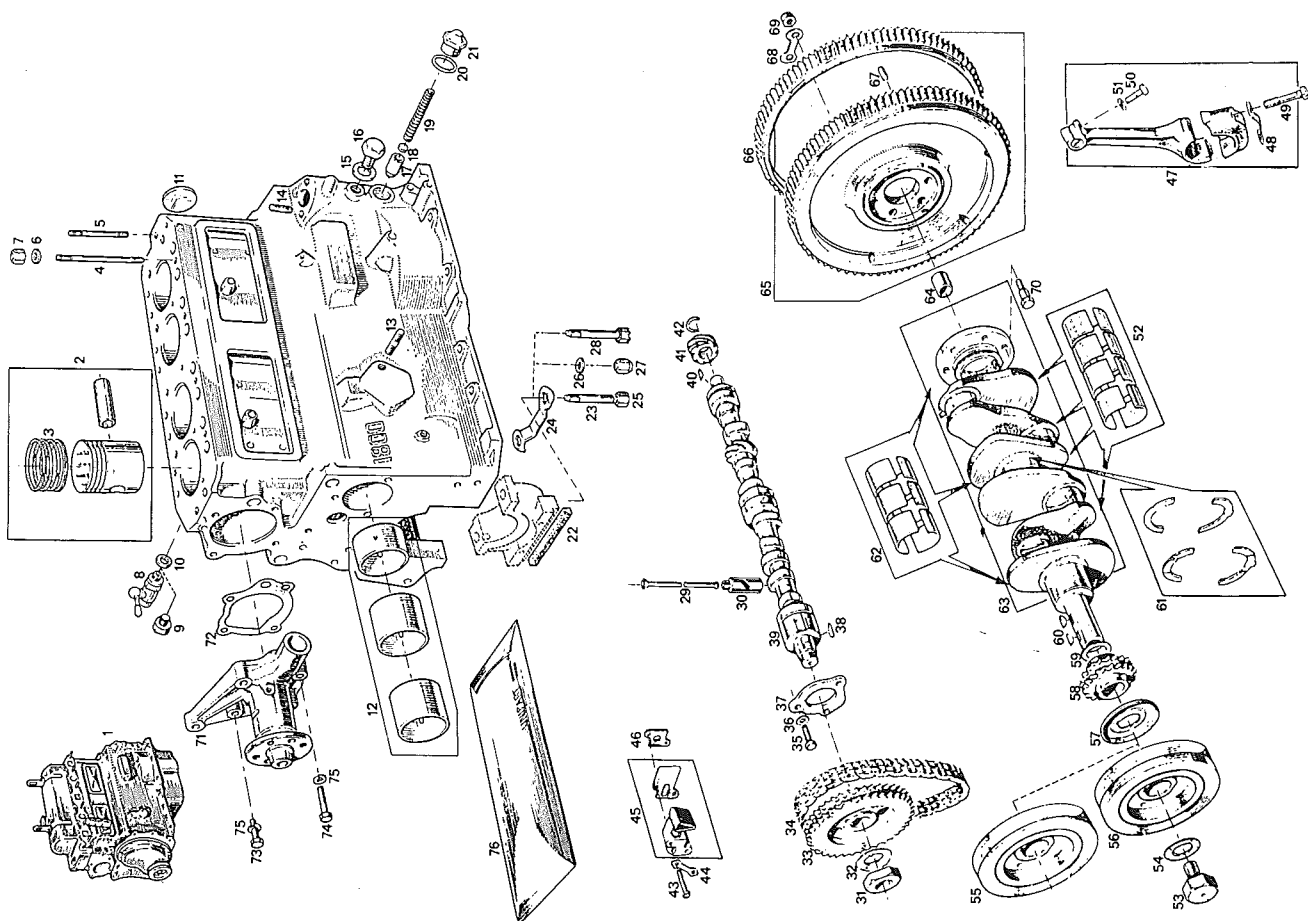
Use Together To
Replace 24 & 25
Replaces 23-27



Section AA Continued

18G & 18GA Power Unit, Block & 3 Main Bearing Crankshaft ('62-'64)

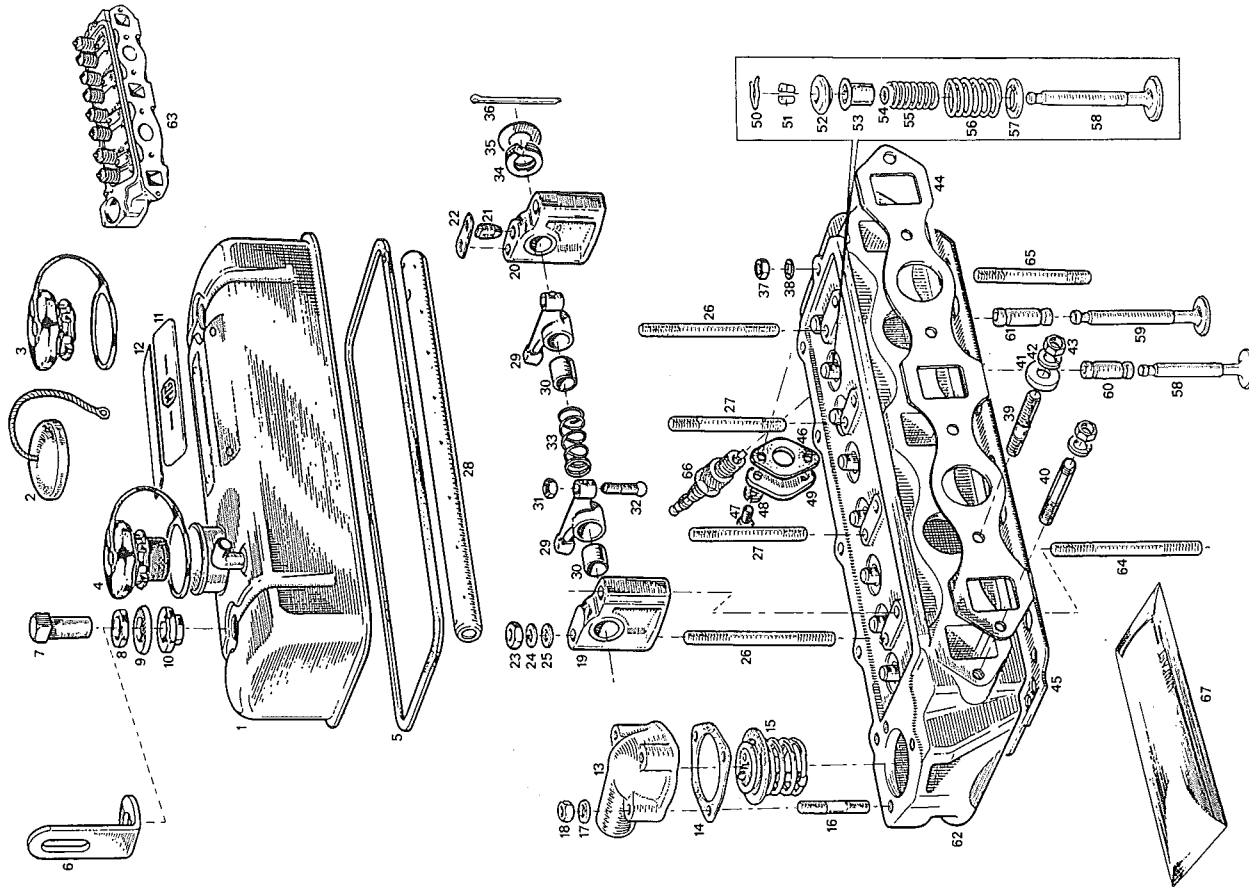
No.	Part No.	Qty.	Description	Remarks
AA043	GHF102	2	Tensioner Bolt	
AA044	AEC340	1	Tensioner Lock Tab	
AA045	12H3292	1	Tensioner Assembly	
AA046	AEC339	1	Tensioner Gasket	
AA047A	12H426	2	Connecting Rod (1 & 3)	
AA047B	12H424	2	Connecting Rod (2 & 4)	
AA048	6K881	4	Connecting Rod Lock Tab	
AA049	12H1000	8	Connecting Rod Bolt	
AA050	51K1774	4	Small End Bolt	
AA051	LWN305	4	Washer, Spring	
AA052A	8G2207STD	1	Rod Bearing Set	Standard Size
AA052B	8G2207010	1	Rod Bearing Set	+10 thou Oversize
AA052C	8G2207020	1	Rod Bearing Set	+20 thou Oversize
AA052D	8G2207030	1	Rod Bearing Set	+30 thou Oversize
AA052E	8G2207040	1	Rod Bearing Set	+40 thou Oversize
AA053	AEA312	1	Front Nut	
AA054	12A398	1	Front Nut Lock Tab	
AA055	12H773	1	Front Pulley ('62-'63)	Up to 18G UH5571
AA056	12H963	1	Front Pulley With Damper ('63-'64)	18G UH5572 On
AA057	12H775	1	Oil Thrower	
AA058	12A1553	1	Crankshaft Gear	
AA059	2K6633	A/R	Spacing Shim (0.005")	
AA060	2H326	2	Crankshaft Woodruff Key	
AA061A	BHM1295	1	Thrust Washer Set	Standard Size
AA061B	BHM1295003	1	Thrust Washer Set	+03 thou Oversize
AA061C	BHM1295005	1	Thrust Washer Set	+05 thou Oversize
AA061D	BHM1295010	1	Thrust Washer Set	+10 thou Oversize
AA062A	8G2343STD	1	Main Bearing Set	Standard Size
AA062B	8G2343010	1	Main Bearing Set	+10 thou Oversize
AA062C	8G2343020	1	Main Bearing Set	+20 thou Oversize
AA062D	8G2343030	1	Main Bearing Set	+30 thou Oversize
AA063	8G2749	1	Crankshaft	(Spigot Bush)
AA064	1G765	1	First Motion Shaft Bush	
AA065	12H713	1	Flywheel Assembly	
AA066	1G2874	1	Starter Ring Gear 10-3/4" Dia.	
AA067	1G2984	3	Flywheel To Clutch Dowel	
AA068	6K26	3	Flywheel To Crank Lock Tab	
AA069	FNZ506	6	High Tensile Nut	
AA070	51K1022	6	Flywheel To Crank Bolt	
AA071	GWP115	1	Water Pump	
AA072	12H814	1	Water Pump Gasket	
AA073	SH605111	2	Water Pump Short Screw	
AA074	BH605151	2	Water Pump Long Bolt	
AA075	LWN305	4	Washer, Spring	
AA076A	AJM1163	1	Gasket Set, Top End	
AA076B	GEG237	1	Gasket Set, Bottom End	
AA076C	GLT1001X	1	Lock Tab Set, Engine	



Section AB

18G & 18GA Cylinder Head and Valve Gear ('62-'64)

No.	Part No.	Qty.	Description	Remarks
AB001A	12H1838	1	Rocker Cover With Breather Pipe	18G
AB002	8G612	1	Filler Cap, Metal	
AB003	12A402	1	Filler Cap, Plastic	18GA
AB001B	12H1836	1	Rocker Cover	
AB004	GFE6003	1	Filler Cap With Filter	Without Vent Pipe
AB001C	GAC4069P	1	Rocker Cover, Alloy, Polished	Remove Before Closing Bonnet
AB001D	GAC4069X	1	Rocker Cover, Alloy, Crackle Finish	
AB005	AJM402	1	Rocker Cover Gasket	Replaces Standard Parts, Can Be Used When Fitting 1C Alloy Rocker Covers
AB006	12A1968	2	Engine Lifting Bracket	
AB007A	2A150	2	Rocker Cover Retaining Nut	Alternatives
AB008A	1B2925	2	Spacer	
AB009A	1A2156	2	Cup Washer	Do Not Run Vehicle Without Either Thermostat or Thermostat Sleeve
AB007B	2A150CP	2	Chrome Retaining Nut	
AB008B	1B2925CP	2	Chrome Spacer	Contains 19,20,28B,29,Etc Machine After Fitting To 29
AB009B	1A2156CP	2	Chrome Cup Washer	
AB010	12A1358	2	Rubber Sealing Bush	
AB011A	CRCP349	1	Metal Decal, 'MG'	
AB012A	CRCP350	1	Metal Decal, 'Patent'	
AB011B	CRST134	1	Self Adhesive Decal, 'MG'	
AB012B	CRST137	1	Self Adhesive Decal, 'Patent'	
AB013	12H797	1	Thermostat Housing	
AB014	GTG101	1	Thermostat Housing Gasket	
AB015A	GTS102	1	165°F Thermostat (74°C)	
AB015B	GTS104	1	180°F Thermostat (82°C)	
AB015C	GTS106	1	190°F Thermostat (88°C)	
AB015D	AJJ4012	1	Thermostat Sleeve & Gasket	
AB016	CHS2515	3	Thermostat Stud	
AB017	GHF301	3	Washer, Flat	
AB018	GHF201	3	Retaining Nut	
AB019	12H390	3	Rocker Pedestal 1, 2 & 3	
AB020	12H389	1	Rocker Pedestal 4	
AB021	2A258	1	Locating Peg	
AB022	2A259	1	Locating Plate	
AB023	GHF201	4	Rocker Pedestal Nut	
AB024	GHF332	4	Washer, Spring	
AB025	GHF301	3	Washer, Flat	
AB026	51K893	2	Rocker Shaft Stud, Long	
AB027	51K881	2	Rocker Shaft Stud, Short	
AB028A	11G62	1	Rocker Shaft, Orig Equipment	
AB028B	11G62B	1	Rocker Shaft, Repto	
AB028C	11G62K	1	Rocker Shaft Assembly	
AB029	12H3377	8	Rocker Arm With Bush	
AB030	1G2295	8	Rocker Bush	
AB031	51K1178	8	Rocker Locknut	
AB032	12H3376	8	Rocker Screw	

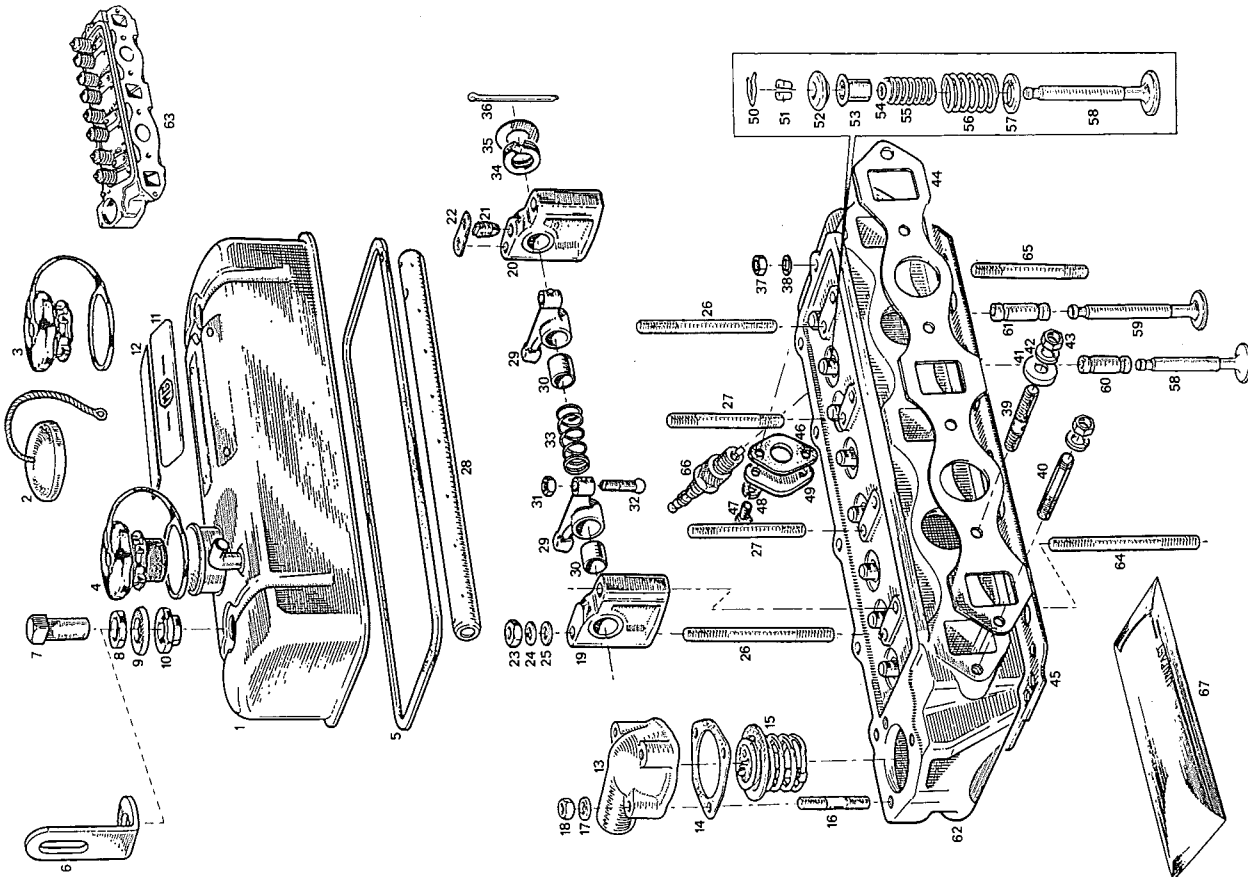


Section AB Continued

18G & 18GA Cylinder Head and Valve Gear (62-64)

No.	Part No.	Qty	Description	Remarks
AB033	6K871	3	Spacer, Spring	
AB034	1A2139	2	Washer, Spring	
AB035	PWZ110	2	Washer, Flat	
AB036	GHF502	2	Split Pin	
AB037A	51K1193	11	Cylinder Head Nut	
AB037B	51K1193B	11	Head Nut with Powerlock Washer	
AB038	GHF302	11	Cylinder Head Flat Washer	Use with 37A
AB039	FHS2515	4	Stud, Long	
AB040	FHS2513	2	Stud, Short	
AB041	1G2418	4	Yoke	
AB042	GHF332	6	Washer, Spring	
AB043	GHF261	6	Brass Nut	
AB044	AJM602	1	Gasket (Head to Manifold)	
AB045A	AJM377	1	Gasket (Head to Block Std)	
AB045B	AEH768	1	Gasket (Head to Block Competition)	
AB046	12H3868	1	Gasket (Heater Tap)	Copper/Asbestos
AB047	SH604071	1	Screw	
AB048	GHF331	2	Washer, Spring	
AB049	1G1282	1	Blanking Plate	
AB050	1K372	8	Collet Circlip	
AB051	1K800	16	Collet	
AB052A	1H1319	8	Collar Top	
AB052B	12H992	8	Collar Top	
AB053	1H1320	8	Valve Guide Shroud	
AB054A	AEK113	8	Valve Stem 'O' Ring Original	
AB054B	12B2104	8	Valve Stem 'O' Ring Improved	
AB055	1H723	8	Valve Spring, Inner	
AB056A	1H1111	8	Valve Spring, Outer	
AB056B	1H723K	1	Valve Spring Set	8 Inner & 8 Outer Springs
AB057	1H1321	8	Collar, Lower	
AB058	12H435	4	Valve, Inlet	1.562-7" Dia.
AB059	12H436	4	Valve, Exhaust	1.343-8" Dia.
AB060	12H2222	4	Valve Guide, Inlet	1.875" Length
AB061	12B1339	4	Valve Guide, Exhaust	2.203" Length
AB062	48G318	1	Cylinder Head, Recon with Guides	
AB063	48G318E	1	Cylinder Head Assembly*	
AB064	51K281	4	Head Stud, Long	
AB065	51K282	7	Head Stud, Short	
AB066	GSP163	4	Spark Plug	
AB067	AJM1163	1	Head Gasket Set	

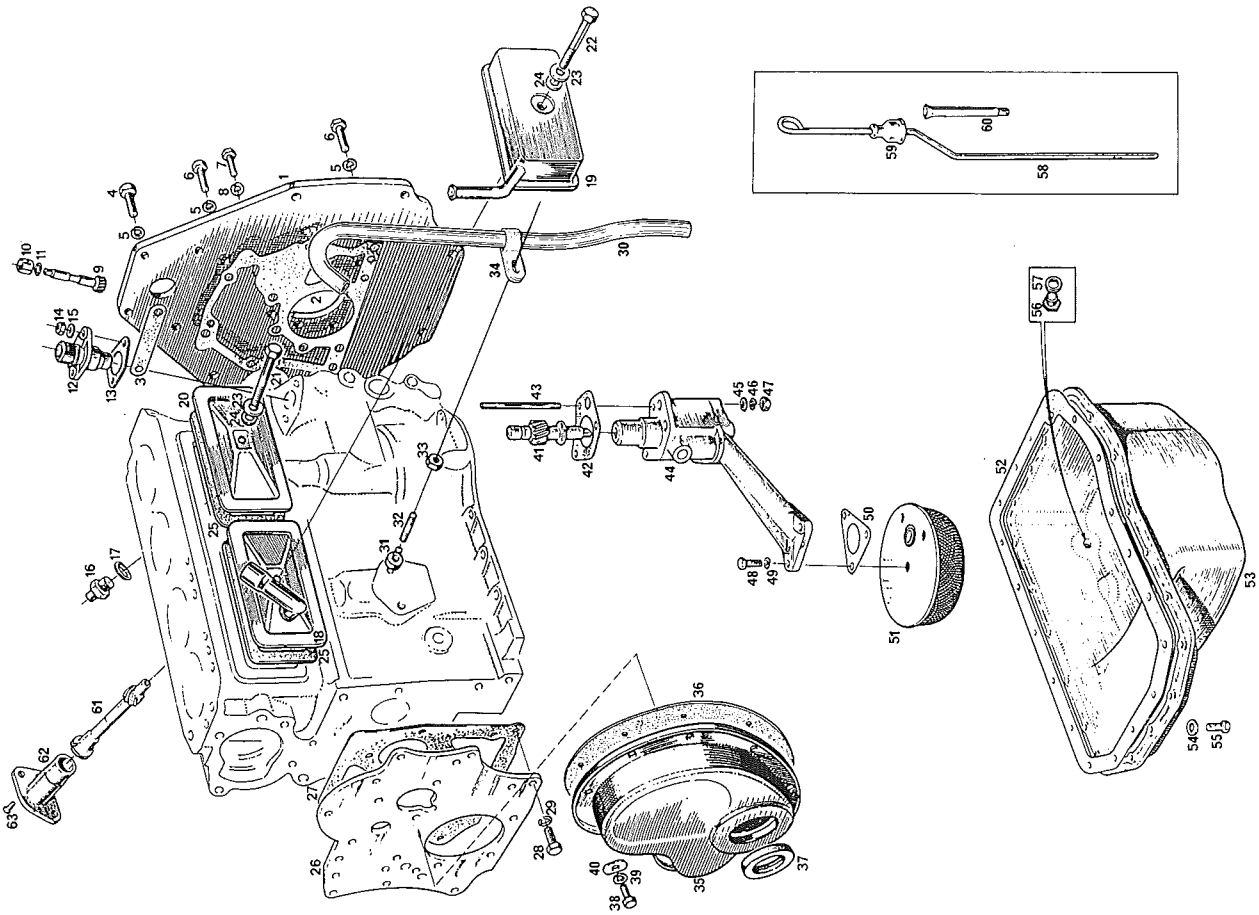
* Our rebuilt heads come complete with valves, guides, springs, collars, collets and valve stem oil seals already assembled. They are ready to bolt on to the block assembly.



Section AC

18G & 18GA Engine Mounting Plates, Oil Pump And Sump ('62-'64)

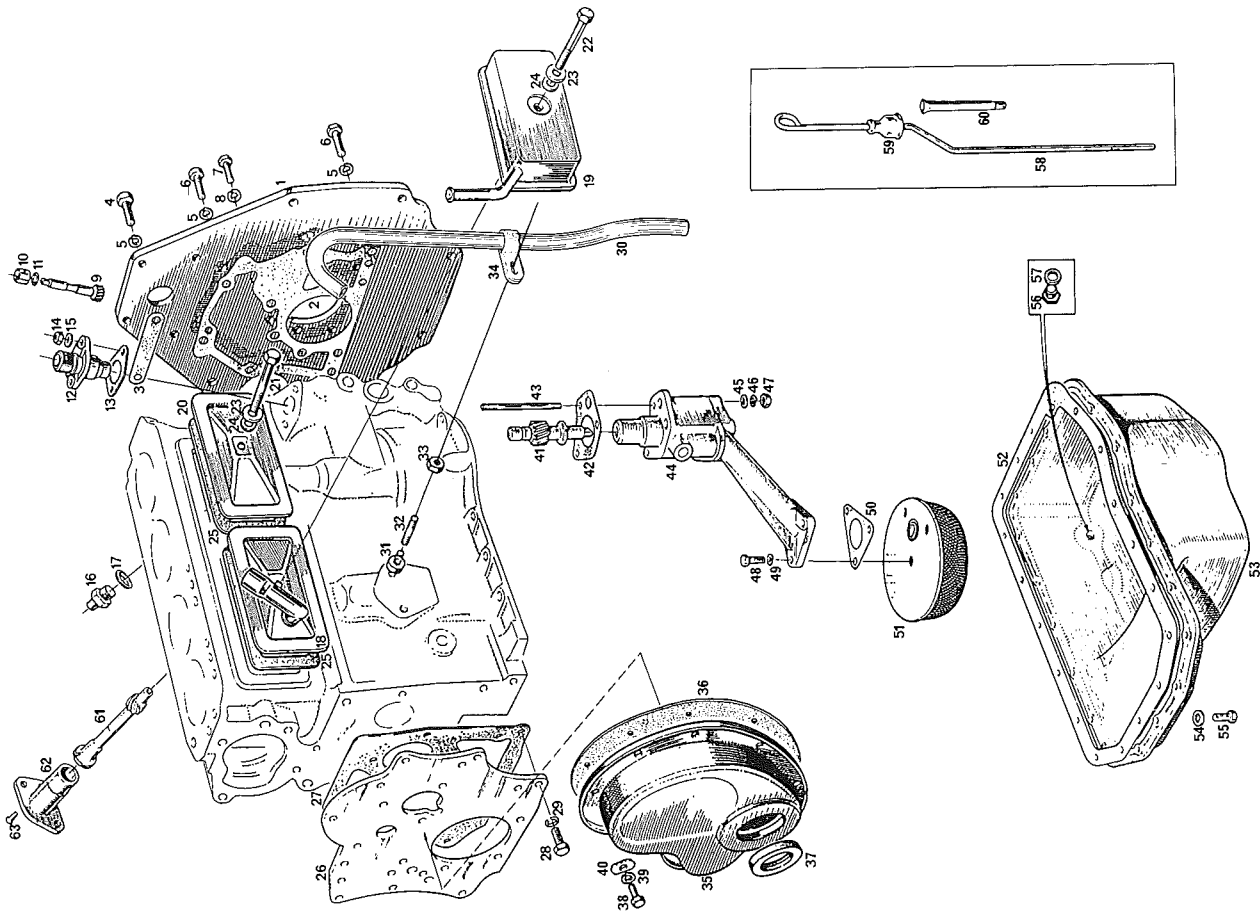
No.	Part No.	Qty.	Description	Remarks
AC001	12H752	1	Backplate	
AC002	12H768	1	Backplate Gasket	
AC003	12H762	1	Backplate Gasket, Top	
AC004	GHF105	2	Backplate Screw, Top	
AC005	GHF333	10	Washer, Spring	
AC006	53K1779	8	Backplate Bolt	3/8" Dia.
AC007	53K1778	4	Backplate Bolt	5/16" Dia.
AC008	GHF332	4	Washer, Spring	
AC009	1H721	1	Drive Gear Rev Counter	
AC010	1G2399	1	Oil Seal Retainer	
AC011	NKC105A	1	Oil Seal	
AC012	1H591	1	Adaptor Housing	
AC013	1G2401	1	Adaptor Gasket	
AC014	GHF201	2	Retaining Nut	
AC015	GHF301	2	Washer, Flat	
AC016	11G15	1	Adaptor, Oil Pipe	
AC017	6K638	1	Adaptor Sealing Washer	
AC018	12H950	1	Side Cover, Front With Elbow	18G Only
AC019	12H1399	1	Side Cover, Front With Separator	18GA Only
AC020	12H941	1	Side Cover, Rear	
AC021	BH605141	1	Locating Bolt	
AC022	BH605201	1	Locating Bolt	
AC023	GHF301	2	Washer, Flat	Use With 18 & 20
AC024A	2K4958	2	Washer, Fibre	Use With 19
AC024B	12B63	2	Washer, Copper	
AC025	12A1139	2	Side Cover Gasket (Cork)	
AC026	12H1387	1	Engine Front Plate	
AC027	12H1576	1	Engine Front Plate Gasket	
AC028	GHF120	3	Engine Front Plate Screw	
AC029	GHF332	4	Washer, Spring	
AC030	1H871	1	Breather Pipe	
AC031	1H840	1	Breather Pipe Distance Piece	18G Only
AC032	53K257	1	Stud	18G Only
AC033	GHF201	1	Nut	
AC034	1G2602	1	Clip, Breather Pipe	



Section AC Continued

18G & 18GA Engine Mounting Plates, Oil Pump And Sump (62-'64)

No.	Part No.	Description	Qty.	Remarks
AC035	12H3317	Timing Cover (With Oil Seal)	1	
AC036	12H1319	Timing Cover Gasket	1	
AC037	88G561	Timing Cover Oil Seal	1	
AC038A	SH604031	Screw	3	1/4" Dia.
AC038B	GHF117	Screw (Cover to Main Cap)	2	1/4" Dia.
AC039A	GHF331	Washer, Spring	5	1/4" Dia.
AC040A	2K5197	Washer, Flat	5	5/16" Dia.
AC038C	GHF120	Screw	4	5/16" Dia.
AC039B	GHF332	Washer, Spring	4	5/16" Dia.
AC040B	2K7440	Washer, Flat	4	5/16" Dia.
AC041	CAM1039	Oil Pump Drive	1	
AC042	88G420	Oil Pump To Block Gasket	1	
AC043	51K267	Oil Pump Stud	3	
AC044	88G296	Oil Pump	1	
AC045	GHF301	Washer, Flat	3	
AC046	GHF332	Washer, Spring	3	
AC047	GHF201	Nut	3	
AC048	SH604071	Pump Filter Screw	3	
AC049	GHF331	Washer, Spring	3	
AC050	88G421	Pump Filter Gasket	1	
AC051	JAM2227	Pump Filter	1	
AC052	AJM503	Sump Gasket	1	
AC053	12H395	Sump	1	
AC054	GHF321	Sump Washer	19	
AC055	SH604041	Sump Screw	19	
AC056	88G257	Drain Plug	1	
AC057	6K638	Drain Plug Sealing Washer	1	
AC058	12H74	Dipstick	1	
AC059	1B1735	Dipstick Gaiter	1	
AC060	1B1063	Dipstick Tube	1	
AC061	12G4499	Drive Shaft	1	
AC062	1G2285	Drive Housing	1	
AC063	53K1206	Drive Housing Screw	1	



Section AD

18GB On Power Unit, Block & 5 Main Bearing Crankshaft ('64-On)

*Note: We offer 2 types of Reconditioned Full Engine.

Type 1: Gold Seal Reconditioned Engine from the Original Equipment reconditioners, complete with factory warranty. These units are normally supplied with water pump and front pulley.

Type 2: Our own Reconditioned unit rebuilt by a major engine reconditioner. These units are supplied without water pump, front pulley and sump.

All units are supplied with slave rocker cover and side covers. They are not supplied with back plate.

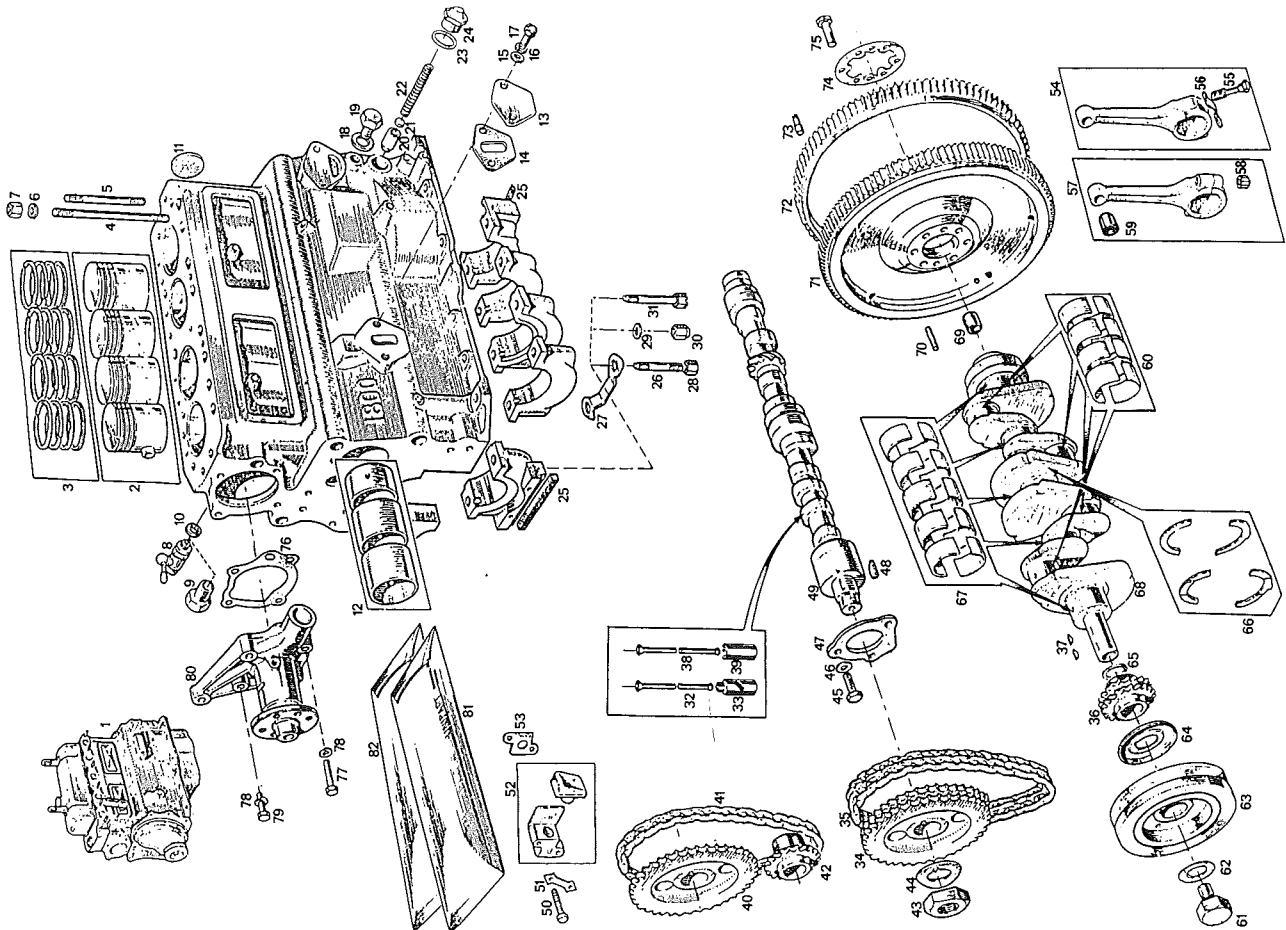
Type 1 - Gold Seal Rebuilt Engine

No.	Part No.	Qty.	Description	Remarks
AD001A	48G739E	1	Rebuilt Engine Assembly	(64-67)
AD001B	48G755E	1	Rebuilt Engine Assembly	(67-71)
AD001C	48G733E	1	Rebuilt Engine Assembly	(71-74)
AD001D	BHM1111E	1	Rebuilt Engine Assembly	(74-On)

Type 2 Rebuilt Engine

AD001E	48G739R	1	Rebuilt Engine Assembly	(64-67)
AD001F	48G755R	1	Rebuilt Engine Assembly	(67-71)
AD001G	48G733R	1	Rebuilt Engine Assembly	(71-74)
AD001H	BHM1111R	1	Rebuilt Engine Assembly	(74-On)
AD002A	12H2521STD	4	HC Piston Assembly Standard Size	18GB-GG 8.75:1 CR
AD002B	12H2521020	4	HC Piston Assembly +20 thou O/S	(64-70) 4 Rings
AD002C	12H2521030	4	HC Piston Assembly +30 thou O/S	High Compression Fully
AD002D	12H2521040	4	HC Piston Assembly +40 thou O/S	Floating Small End
AD002E	12H2521060	4	HC Piston Assembly +60 thou O/S	Use With Conrods 54&57A
AD002F	12H5163H	4	HC Piston Assembly Standard	18V On 8.75:1 CR
AD002G	12H5163H20	4	HC Piston Assembly +20 thou O/S	High Compression
AD002H	12H5163H30	4	HC Piston Assembly +30 thou O/S	(70-On) 3 Rings Press Fit
AD002I	12H5163H40	4	HC Piston Assembly +40 thou O/S	Small End. Use With Conrod 57B

AD003A	8G2506STD	1	Piston Ring Set Standard Size	Use With Pistons
AD003B	8G2506020	1	Piston Ring Set +20 thou O/S	2A-2E
AD003C	8G2506030	1	Piston Ring Set +30 thou O/S	(64-70)
AD003D	8G2506040	1	Piston Ring Set +40 thou O/S	Use With Pistons
AD003F	8G2547STD	1	Piston Ring Set Standard Size	(70-On)
AD003G	8G2547020	1	Piston Ring Set +20 thou O/S	
AD003H	8G2547040	1	Piston Ring Set +40 thou O/S	
AD004	51K281	4	Head Stud, Long	
AD005	51K282	7	Head Stud, Short	
AD006	GHF302	11	Washer, Flat	
AD007A	51K1193	11	Head Nut, Original	
AD007B	51K1193B	11	Head Nut, Improved	



Section AD Continued

18GB On Power Unit, Block & 5 Main Bearing Crankshaft ('64-On)

No.	Part No.	Description	Qty.	Remarks
AD008	3H576	Block Drain Tap	1	Alternative
AD009	53K2853	Block Drain Plug	1	
AD010	2K4975	Sealing Washer	1	
AD011	2K8169	Core Plug	4	
AD012	BHM12112	Cam Bearing Set	1	
AD013	2A265	Blanking Plate	1	
AD014	2A113	Blanking Plate Gasket	1	
AD015	GHF301	Washer, Flat	2	
AD016	GHF332	Washer, Spring	2	
AD017	SH605041	Locating Screw	2	
AD018A	6K638	Sealing Washer	1	(64-67)
AD018B	51K3811	Blanking Plug	1	18GB Engines
AD019A	2K4993	Blanking Plug	1	18GG On
AD019B	12H1715	Relief Valve	1	18GB Engines
AD020	12H865	Relief Valve	1	18GG On
AD021	AEH798	Packing Piece	1	
AD022	1H756	Relief Valve Spring	1	
AD023	6K431	Relief Valve Sealing Washer	1	
AD024	12A1851	Relief Valve Cap	1	
AD025A	12H1476	Block Seal, Rear	1	
AD025B	12H1638	Block Seal, Front	1	(64-71)
AD025C	12H1476	Block Seal, Front	1	(71-On)
AD026	51K1482	Main Bearing Stud	10	
AD027	12H1063	Main Bearing Cap Lock Tab	5	
AD028	FNZ508	Main Bearing Cap Nut	10	Use With 27
AD029	ACA5521	Main Bearing Cap Washer	10	Use Together To
AD030	LNN208	Main Bearing Nyloc Nut	10	Replace 27 & 28
AD031	12B2356	Main Bearing Bolt	10	18V On. Replaces 26-30
AD032	11G241	Push Rod	8	
AD033	12H3167	Cam Follower	8	
AD034	11G203	Duplex Cam Gear	1	
AD035	2H4905	Duplex Timing Chain	1	18GB-18GG
AD036	12A1553	Duplex Crank Gear	1	
AD037A	2H326	Woodruff Key	2	
AD037B	12H4301	Woodruff Key	2	
AD038	12H3357	Push Rod	8	
AD039	2A13	Cam Follower	8	(71-On)
AD040	CAM5333	Simplex Cam Gear	1	
AD041	3H2127	Simplex Timing Chain	1	18V On
AD042A	12H4201	Simplex Crank Gear	1	
AD042B	TMG10728	Duplex Gear Set	1	Includes Vernier
AD043	6K629	Camshaft Nut	1	Adjustable Cam Gear
AD044	2A759	Camshaft Lock Tab	1	
AD045	GHF117	Camshaft Retaining Screw	3	

18GB On Power Unit, Block & 5 Main Bearing Crankshaft ('64-On)

No.	Part No.	Description	Qty.	Remarks
AD046	GHF321	Washer Star	3	
AD047	12H1673	Camshaft Retaining Plate	1	
AD048	WKN505	Camshaft Woodruff Key	1	
AD049A	88G3303	Camshaft	1	Exchange
AD049B	88G3303E	Camshaft, Reprofiled	1	
AD050	GHF102	Tensioner Bolt	2	
AD051	AEC340	Tensioner Lock Tab	1	
AD052	12H3292	Tensioner Assembly	1	
AD053	AEC339	Tensioner Gasket	1	

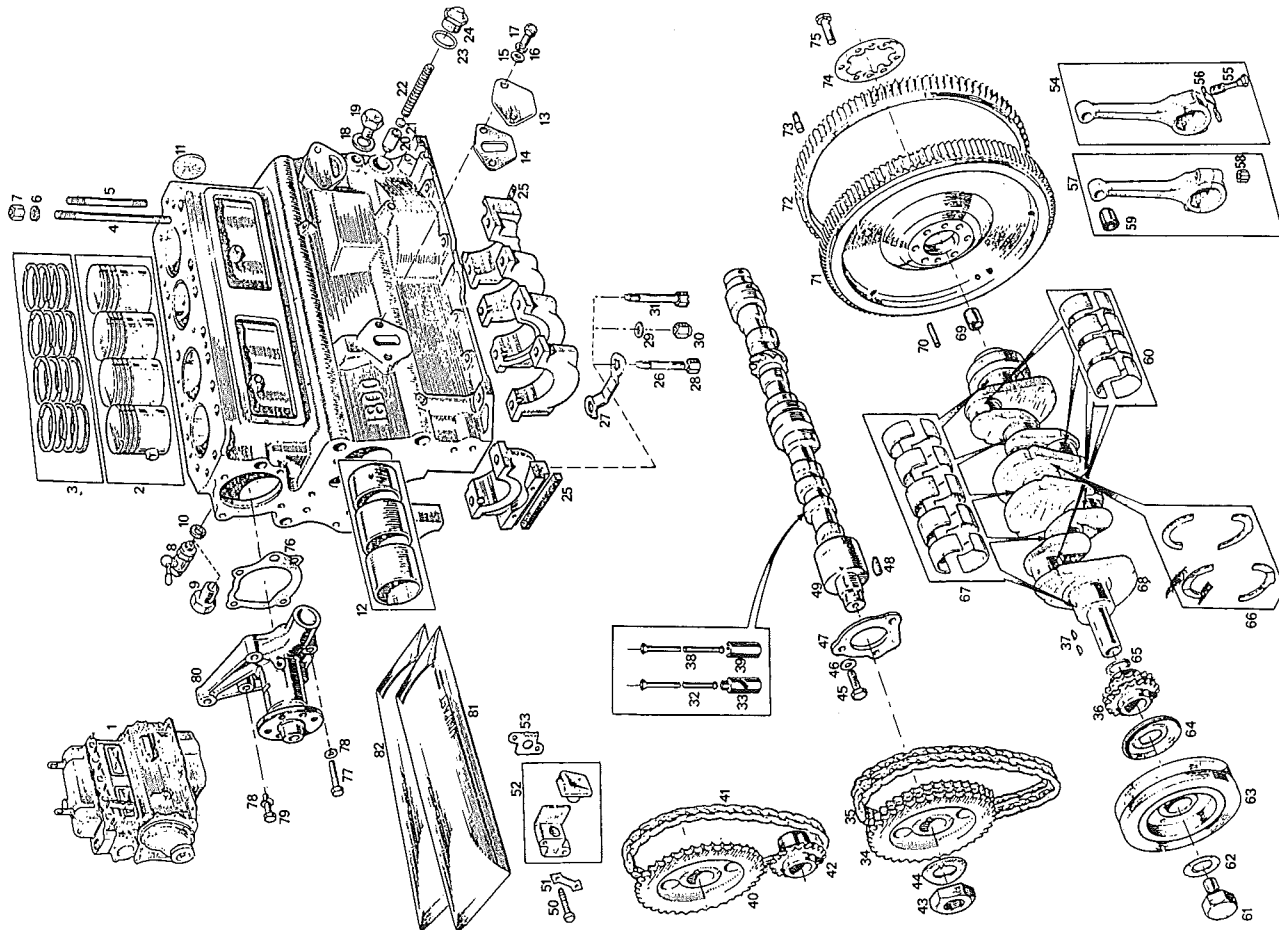
Connecting Rods are fitted as balanced sets. Always rebalance when fitting new Rods. 54 and 57A are interchangeable, in sets of four. 57B rods can replace earlier rods if later pistons are used. (Again use in sets of four).

No.	Part No.	Description	Qty.	Remarks
AD054	12H1019	Connecting Rod	4	18GB-18GG
AD055A	12H1000	Connecting Rod Bolt	8	Floating Small End
AD056	6K881	Connecting Rod L/Tab	4	(64-68)
AD057A	12H2444	Connecting Rod	4	(68-70)
AD057B	CAM1588	Connecting Rod	4	(70-On)
AD055B	12G1300	Connecting Rod Bolt	8	18GG Floating Small End
AD055C	12G4190	Connecting Rod Bolt	8	(68-76)
AD058	13H5872	Connecting Rod Nut	8	(76-On)
AD059	VPB266	Small End Bush	4	Use with 57A & 57B
AD060A	8G2664STD	Rod Bearing Set	1	Use with 54 & 57A
AD060B	8G2664010	Rod Bearing Set	1	Standard Size
AD060C	8G2664020	Rod Bearing Set	1	+10 thou Oversize
AD060D	8G2664030	Rod Bearing Set	1	+20 thou Oversize
AD060E	8G2664040	Rod Bearing Set	1	+30 thou Oversize
AD061	AEA312	Front Pulley Retaining Bolt	1	+40 thou Oversize
AD062	12A398	Front Pulley Lock Tab	1	
AD063A	12H963	Crankshaft Pulley 5-1/8" Dia.	1	(64-70) 18GB - 18GG
AD063B	12H3515	Crankshaft Pulley 5-1/8" Dia.	1	(70-74) 18V Chrome
AD063C	12H3516	Crankshaft Pulley 6" Dia.	1	18V Rubber Bumper
AD064A	12H775	Oil Thrower	1	18GB-18GB11850
AD064B	12H1740	Oil Thrower	1	18GB11851 On
AD065	2K6633	Spacer Shim	A/R	(0.005")
AD066A	BHM1295STD	Thrust Washer Set	1	Standard Size
AD066B	BHM1295003	Thrust Washer Set	1	+03 thou Oversize
AD066C	BHM1295005	Thrust Washer Set	1	+05 thou Oversize
AD066D	BHM1295010	Thrust Washer Set	1	+10 thou Oversize
AD067A	8G2389STD	Main Bearing Set	1	Standard Size
AD067B	8G2389010	Main Bearing Set	1	+10 thou Oversize
AD067C	8G2389020	Main Bearing Set	1	+20 thou Oversize
AD067D	8G2389030	Main Bearing Set	1	+30 thou Oversize
AD067E	8G2389040	Main Bearing Set	1	+40 thou Oversize

Section AD Continued

18GB On Power Unit, Block & 5 Main Bearing Crankshaft ('64-On)

No.	Part No.	Qty.	Description	Remarks
AD068	BHM1155	1	Crankshaft] Check Length Before Ordering Qty Reduced ('78-On) 18GB Only Inertia Starter
AD069A	12H1630	1	Spigot Bush (1-1/2" Long)	
AD069B	22H1416	1	Spigot Bush (1" Long)	
AD070	12H1301	2/1	Flywheel to Crank Dowel	
AD071A	12H1474	1	Flywheel Assembly	(64-'67)
AD071B	12H1474E	1	Rebuilt Flywheel Assy.	(64-'67)
AD071C	12H2184	1	Flywheel Assembly	(67-On)
AD072A	1G2874	1	Flywheel Ring Gear 10.3/4" Dia.	(64-'67)
AD072B	12H2900	1	Flywheel Ring Gear 11.1/2" Dia.	(67-'78)
AD072C	12H2186	1	Flywheel Ring Gear 11.1/2" Dia.	(78 on)
AD073	1G2984	1	Flywheel to Cover Dowel	
AD074	12H1303	1	Flywheel Lock Tab	
AD075	51K1809	6	Flywheel to Crank Bolt	
AD076	JAM2036	1	Water Pump Gasket	
AD077A	BH605151	2	Long Bolt	Use With 80A & 80B
AD077B	BH605161	2	Long Bolt	Use With 80C
AD078	GHF332	4	Washer, Spring	
AD079A	BH605111	2	Short Bolt	Use With 80A & 80B
AD079B	GHF103	2	Short Screw	Use With 80C
AD080A	GWP114	1	Water Pump (With Gasket)	(64-'71) 18GB-18GG
AD080B	GWP117	1	Water Pump With Gasket	18V Chrome Bumper
AD080C	GWP130	1	Water Pump With Gasket	(74-On) Rubber Bumper
AD081A	AJM1163	1	Gasket Set, Top] Use together to Overhaul engine
AD081B	AJM273	1	Gasket Set, Bottom	
AD082	GLT1002X	1	Engine Lock Tab Set	

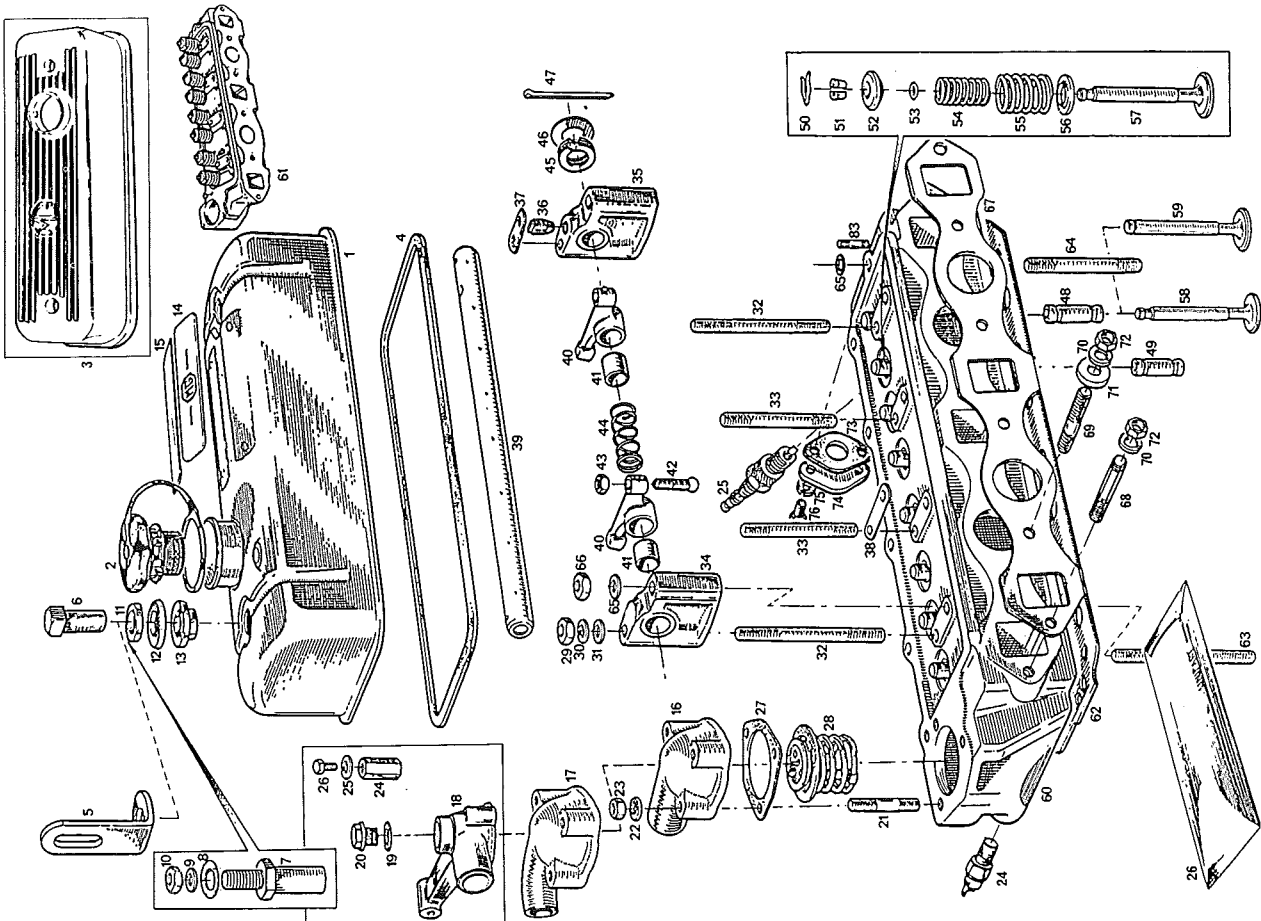


Section AE

18GB On Cylinder Head & Valve Gear ('64-On)

AE001	12H1836	1	Rocker Cover		
AE002	GFE6003	1	Filler Cap With Breather		
AE003A	GAC4069P	1	Rocker Cover, Alloy, Polished	Replacement	
AE003B	GAC4069X	1	Rocker Cover, Alloy, Crackle Finish		
AE004	AJM402	1	Rocker Cover Gasket		
AE005	12A1968	2	Engine Lifting Bracket	Remove After Use*	
AE006A	2A150	2	Rocker Cover Retaining Nut		
AE007	12H2557	2	Rocker Cover Retaining Nut		
AE008	GHF301	2	Washer, Flat		
AE009	GHF332	2	Washer, Spring		
AE010	GHF201	2	Retaining Nut		
AE011A	1B2925	2	Spacer		
AE012A	1A2156	2	Cup Washer		
AE006B	2A150CP	2	Chrome Retaining Nut	Replaces Standard Parts. Can be Used when fitting Alloy Rocker Cover	
AE011B	1B2925CP	2	Chrome Spacer		
AE012B	1A2156CP	2	Chrome Cup Washer		
AE013	12A1358	2	Rubber Sealing Bush		
AE014A	CRCP349	1	Metal Decal, 'MG'	Alternatives '62-'70	
AE015A	CRCP350	1	Metal Decal, 'Patent'		
AE014B	CRST134	1	Self Adhesive Decal, 'MG'		
AE015B	CRST137	1	Self Adhesive Decal, 'Patent'		
AE015C	CRST126	1	Self Adhesive Decal, 'BL'		
AE015D	CRST240	1	Self Adhesive Decal, Austin Morris Flash		
AE016	12H797	1	Thermostat Housing		
AE017	12H2556	1	Thermostat Housing		
AE018	CAM1577	1	Thermostat Housing		
AE019A	TRS1418	1	Rubber Sealing Washer		
AE019B	TRS1418A	1	Plastic Sealing Washer		
AE020	ARA2634	1	Plastic Filler Plug		
AE021	CHS2515	3	Thermostat Housing Stud		
AE022	GHF301	3	Washer, Flat		
AE023	GHF201	3	Retaining Nut		
AE024	GTR101	1	Thermal Transmitter		
AE025	GSP163	4	Spark Plug		
AE026	AJM1163	1	Head Gasket Set		
AE027	GTG101	1	Thermostat Housing Gasket		
AE028A	GTS102	1	165°F Thermostat (74°C)	Do not run vehicle Without either Thermostat or Thermostat sleeve	
AE028B	GTS104	1	180°F Thermostat (82°C)		
AE028C	GTS106	1	190°F Thermostat (88°C)		
AE028D	AJJ4012	1	Thermostat Sleeve & Gasket		

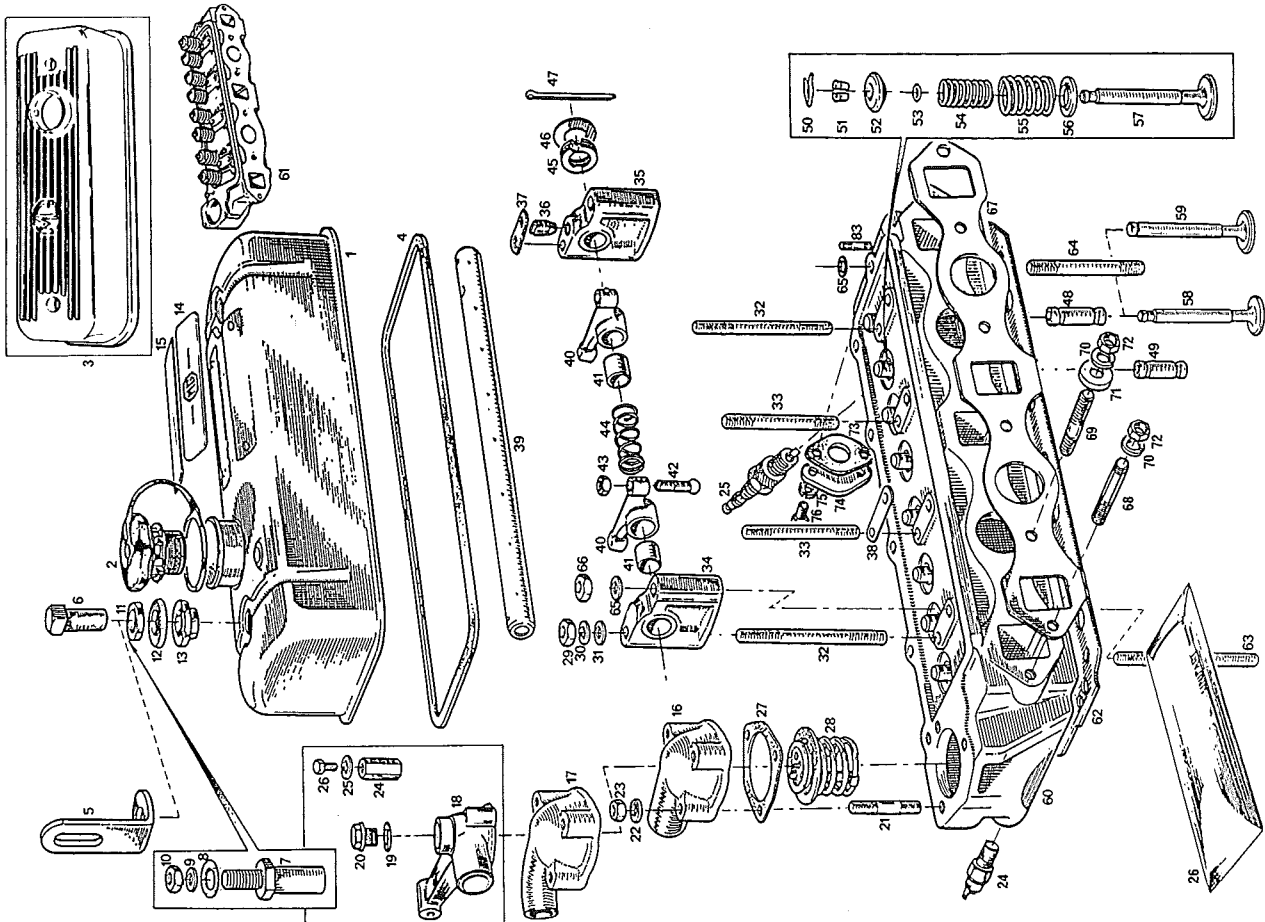
* When using lifting brackets, a safety strap around the engine should also be employed.



Section AE Continued

18GB On Cylinder Head & Valve Gear ('64-On)

No.	Part No.	Description	Qty.	Remarks
AE029	GHF201	Rocker Pedestal Nut	4	
AE030	GHF332	Washer, Spring	4	
AE031	GHF301	Washer, Flat	3	
AE032	51K893	Rocker Stud, Long	2	
AE033	51K881	Rocker Stud, Short	2	
AE034	12H390	Rocker Pedestal 1,2 & 3	3	
AE035A	12H389	Rocker Pedestal 4	1	('64-'74)
AE035B	12H4737	Rocker Pedestal 4 with Offset Feed	1	('75-On)
AE036	2A258	Locating Peg	1	
AE037	2A259	Locating Plate	1	
AE038	12H3960	Tensioning Shim	2	
AE039A	11G62	Rocker Shaft, Original Equipment	1	Centre Pedestals Only
AE039B	11G62B	Rocker Shaft, Reproduction	1	
AE039C	11G62K	Rocker Shaft Assy, Recon	1	('64-'74) Contains 39B,40,34, 35A Etc. (75-On) Contains 39B,40,34, 35B Etc.
AE039D	11G62J	Rocker Shaft Assy, Recon	1	Machine After Fitting To 40
AE040	12H3377	Rocker Arm (With Bush)	8	
AE041	1G2295	Rocker Arm Bush	8	
AE042	12H3376	Rocker Screw	8	
AE043	51K1178	Rocker Locknut	8	
AE044	6K871	Spacer Spring	3	
AE045	1A2139	Washer, Spring	2	
AE046	PWZ110	Washer, Flat	2	
AE047	GHF502	Split Pin	2	
AE048	12B1339	Valve Guide, Exhaust	4	
AE049	12H2222	Valve Guide, Inlet	4	
AE050	1K372	Collet Circlip	8	
AE051A	1K800	Split Collets, Pair	8	Type A
AE052A	12H992	Collar, Top	8	18GB to 18GD
AE053A	AEK113	Valve Stem 'O' Ring Seal	8	('64-'67)
AE054A	1H723	Valve Spring, Inner	8	Circlip Type
AE055A	1H111	Valve Spring, Outer	8	
AE055B	1H723K	Valve Spring Set (16)	1	
AE056A	1H1321	Collar, Lower	8	Type B
AE051B	AHU1709A	Split Collets, Pair	8	18GD to 18V Engines
AE052B	12H3309	Collar, Top	8	('67-'71)
AE053B	AEK113	Valve Stem 'O' Ring Seal	8	No Circlip
AE053C	12B2104	Valve Stem Seal Improved	8	
AE054B	12H176	Valve Spring, Inner	8	
AE055C	12H1679	Valve Spring, Outer	8	
AE055D	12H176K	Valve Spring Set (16)	1	
AE056B	1H1321	Collar, Lower	8	



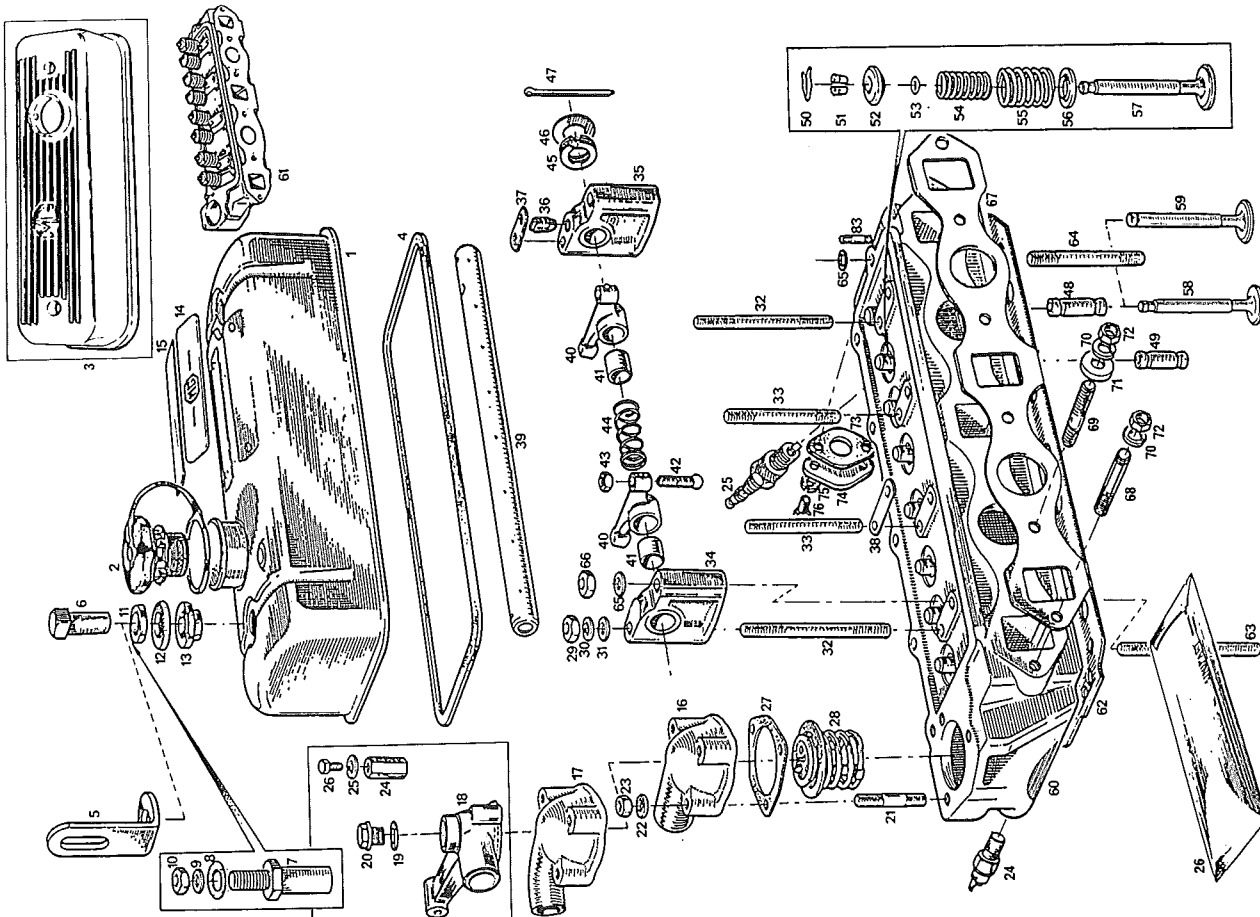
18GB On Cylinder Head & Valve Gear (64-On)

No.	Part No.	Qty.	Description	Remarks
AE051C	AHU1709A	8	Split Collnets, Pair	Type B Single Valve Spring 18V Engines On (71-On)
AE052C	12H3353	8	Collar, Top	
AE053D	AEK113	8	Valve Stem 'O' Ring Seal	
AE053E	12B2104	8	Valve Stem Seal Improved	
AE055E	12H3352	8	Valve Spring, (Single)	
AE055F	12H3352K	1	Valve Spring Set (8)	
AE056C	12H3354	8	Collar, Lower	Up to 18GD 835 Type A 18GD 836 to 18V Type B 18V 101 to 18V 797 Type B 18V 797 On (75-On) Type B Use With 57A (64-'67) Type A 18GD 836 On (67-On) Type B
AE057A	12H435	4	Valve, Inlet 1.562 - 1.567" Dia.	
AE057B	12H2115	4	Valve, Inlet 1.562 - 1.567" Dia.	
AE057C	12H2520	4	Valve, Inlet 1.625 - 1.630" Dia.	
AE057D	12H4211	4	Valve, Inlet 1.562 - 1.567" Dia.	
AE058	12H436	4	Valve, Exhaust 1.343-1.348" Dia.	
AE059	CAM1717	4	Valve, Exhaust 1.343-1.348" Dia.	

Our rebuilt heads come complete with valves, guides, springs, collars, collnets and valve stem oil seals already assembled. They are ready to bolt on to the block assembly.

No.	Part No.	Qty.	Description	Remarks	
AE060A	48G318	1	Cylinder Head, Recon	18GB, 18GD, 18GG (64-70)	
AE061A	48G318E	1	Cylinder Head Assembly, Recon*		
AE060B	12H2708	1	Cylinder Head, Recon	18V 581/582/583, 18V 779/780 (70-'74)	
AE061B	12H2708E	1	Cylinder Head Assembly, Recon*		
AE060C	12H4735	1	Cylinder Head, Recon	18V 846 On (75-On) Rubber Bumper	
AE061C	12H4735E	1	Cylinder Head Assembly, Recon*		
AE062	AJM377	1	Cylinder Head Gasket	Quantity increases from 18V On Up to 18V	
AE063	51K281	4	Head Stud, Long		
AE064	51K282	7	Head Stud, Short		
AE065	12H2178	11	Flat Washer		
AE066	51K1193	11	Cylinder Head Nut		
AE067	AJM602	1	Manifold Gasket		When Heater Not Fitted
AE068	FHS2513	2/6	Stud, Outer		
AE070	GHF332	4	Stud, Inner		
AE071	1G2418	6	Washer, Spring		
AE072	GHF261	4	Washer, Flat		
AE073	12H3868	6	Brass Nut		
AE074	1G1282	1	Heater Tap Gasket	When Heater Not Fitted	
AE075	GHF331	1	Blanking Plate		
AE076	SH604071	2	Washer, Spring	When Heater Not Fitted	
		2	Screw		

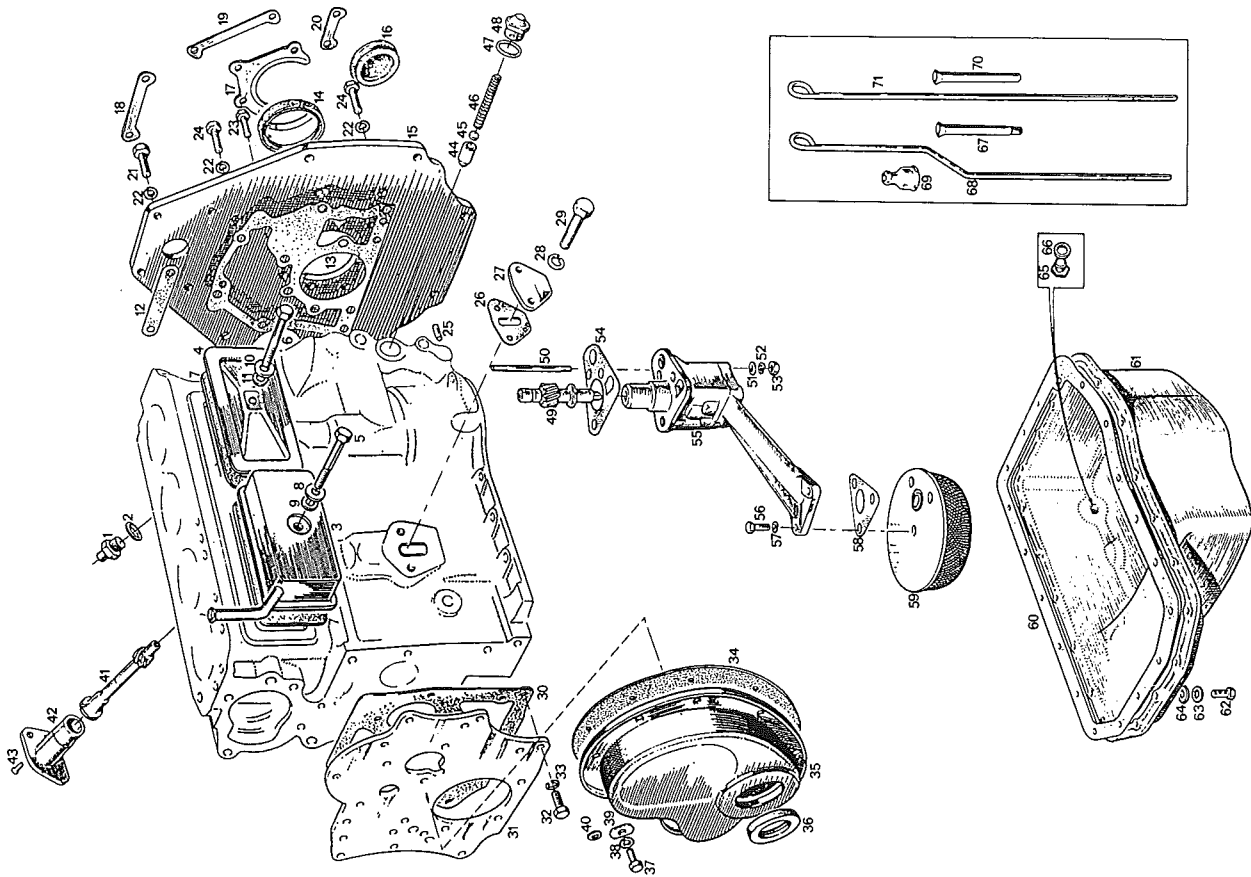
* Can be interchanged - ensure rocker feed is correct, ie. direct oil feed or offset oil feed.



Section AF

18GB On Engine Mounting Plates; Oil Pump And Sump ('64-On)

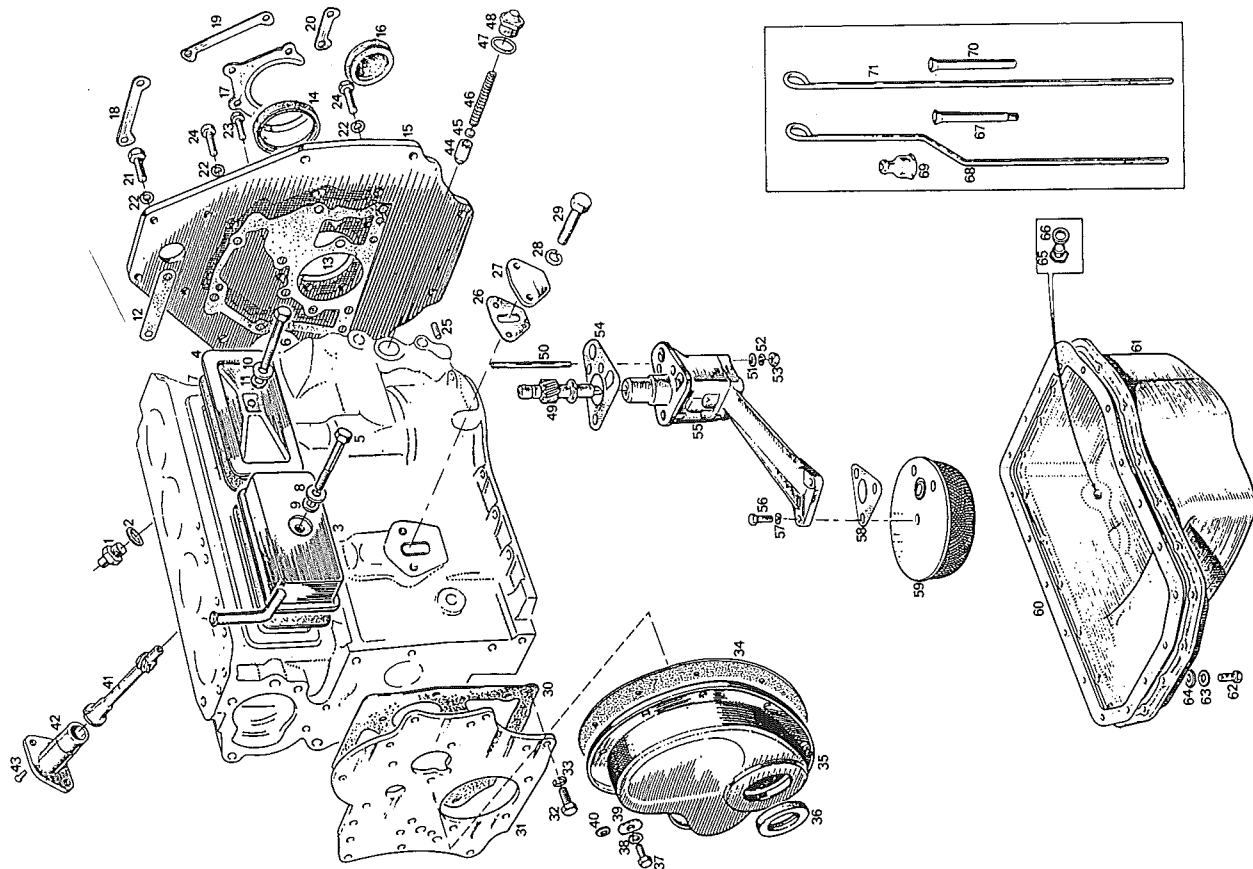
No.	Part No.	Qty.	Description	Remarks
AF001	11G15	1	Adaptor, Oil Pipe	
AF002	6K638	1	Adaptor Sealing Washer	
AF003A	12H1399	1	Side Cover With Separator	('64-'69)
AF003B	12H4395	1	Side Cover With Separator	('69-On)
AF004A	12H941	1	Side Cover, Rear	('64-'69)
AF004B	12A1386	1	Side Cover, Rear	('69 On)
AF005	BH605201	1	Cover Locating Bolt, Front	
AF006A	BH605141	1	Cover Locating Bolt, Rear ('64-'69)	Use with 3A & 4A
AF006B	BH605101	1	Cover Locating Bolt, Rear ('69 on)	Use with 3B & 4B
AF007A	12A1139	2	Gasket, Cork	
AF007B	12A1175	2	Gasket, Rubber	
AF008	GHF301	2	Washer, Flat	Use With 3A & 4A
AF009A	2K4958	2	Washer, Fibre	
AF009B	12B63	2	Washer, Copper	
AF010	12A1177	2	Washer, Cup	Use With 3B & 4B
AF011	12A1176	2	Washer, Rubber	
AF012	12H762	1	Backplate Gasket, Top	
AF013	12H768	1	Backplate Gasket	
AF014	AHU2242	1	Backplate Oil Seal	
AF015A	12H1469	1	Backplate	('64-'67)
AF015B	12H2189	1	Backplate	('67-'76)
AF015C	CAM1003	1	Backplate	18GG-18V797,(4 Synchro)
AF016	12H541	1	Backplate	18V Late RB
AF017A	12H1547	1	Backplate Grommet	18GG On
AF017B	22G1649	1	Oil Seal Retainer	Use with 15A/B
AF018	1H1021	1	Oil Seal Retainer	Use with 15C
AF019	1H1020	1	Backplate Lock Tab	
AF020	2K6059	1	Backplate Lock Tab	
AF021A	53K1810	2	Screw	18GB 3 Synchro
AF021B	53K1779	8	Screw	18GB
AF021C	SH606071	8	Screw	18GD
AF022	GHF333	2/10	Washer, Spring	Use with 15C
AF023	SH605071	4	Screw	Qty. Increased 18GD On
AF024	GHF105	2	Screw	
AF025A	1G752	1	Locating Dowel, Lower	Use with 15C ('76-On)
AF025B	22G2339	1	Locating Dowel, Upper	
AF026	2A113	1	Blanking Plate Gasket	
AF027	2A265	1	Blanking Plate	
AF028	GHF332	2	Washer, Spring	
AF029	SH605041	2	Screw	
AF030	12H1576	1	Engine Front Plate Gasket	Chrome Bumper
AF031A	12H1387	1	Engine Front Plate	Rubber Bumper
AF031B	12H3583	1	Engine Front Plate	
AF032	SH605061	3	Screw	
AF033	GHF332	3	Washer, Spring	



Section AF Continued

18GB On Engine Mounting Plates; Oil Pump & Pump ('64-On)

No.	Part No.	Description	Qty.	Remarks
AF034	12H1319	Timing Cover Gasket	1	
AF035A	12H3317	Timing Cover	1	
AF035B	12H3510	Timing Cover	1	(64-70)
AF035C	CAM1393	Timing Cover	1	(71-74)
AF036	88G561	Timing Cover Oil Seal	1	(74-On)
AF037A	SH604031	Screw (1/4" Dia.), Short	3	
AF037B	GHF117	Screw (1/4" Dia.), Long	2	Qty. Reduced at 18V797
AF037C	GHF120	Screw (5/16" Dia.)	4/3	'76 On
AF037D	12H4312	Screw, Special	1	
AF038A	GHF331	Washer, Spring (Small)	5	
AF038B	GHF332	Washer, Spring (large)	4	
AF039A	2K5197	Washer, Flat (Small)	5	
AF039B	2K7440	Washer, Flat (Large)	4	
AF040A	GHF300	Washer, Flat (Small)	5	
AF040B	GHF301	Washer, Flat (Large)	4	
AF041	12G4499	Distributor Drive	1	
AF042	1G2285	Distributor Drive Housing	1	
AF043	53K1206	Screw, Locating	1	
AF044	12H865	Relief Valve	1	
AF045	AEH798	Relief Valve Packing Washer	1	Use With 35A & 35B
AF046	1H756	Relief Valve Spring	1	(65-74) Chrome Bumper
AF047	6K431	Relief Valve Washer	1	Use With 35C
AF048	12A1851	Relief Valve Cap	1	(74-On) Rubber Bumper
AF049	CAM1039	Oil Pump Drive	1	
AF050	51K267	Oil Pump Mounting Stud	3	
AF051	GHF301	Washer, Flat	3	
AF052	GHF332	Washer, Spring	3	
AF053	GHF201	Nut	3	
AF054	12H1018	Oil Pump Gasket	1	
AF055	GLP143	Oil Pump	1	
AF056	SH604071	Oil Pump Strainer Screw	3	
AF057	GHF331	Washer, Spring	3	
AF058	88G421	Oil Pump Strainer Gasket	1	
AF059	JAM2227	Oil Strainer	1	
AF060	AJM504	Sump To Block Gasket	1	
AF061A	12H1976	Sump	1	18GB-18V797
AF061B	12H3541	Sump	1	18V 797 On
AF062	SH604041	Sump To Block Screw	18	
AF063	GHF321	Washer, Star	18	
AF064	GHF300	Washer, Flat	18	
AF065	88G257	Sump Drain Plug	1	
AF066	6K638	Sump Washer	1	
AF067	1B1063	Dipstick Tube	1	
AF068A	12H74	Dipstick, Bent	1	(64-67)
AF069	1B1735	Dipstick Gaiter	1	
AF070	12H3351	Dipstick Tube	1	(68-On)
AF068B	12H2964	Dipstick, Bent	1	(68-72)
AF071	12H3963	Dipstick, Straight	1	18GB-18GF (65-68)



Section AG

Oil Filter Assembly

No. Part No. Qty. Description Remarks

18G & 18GA Engines. Purolator Type. Alternative To Tecalemit ('62-'64)

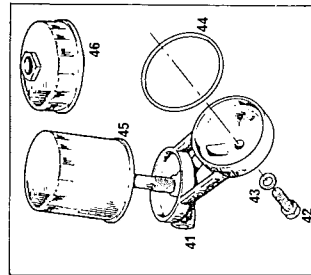
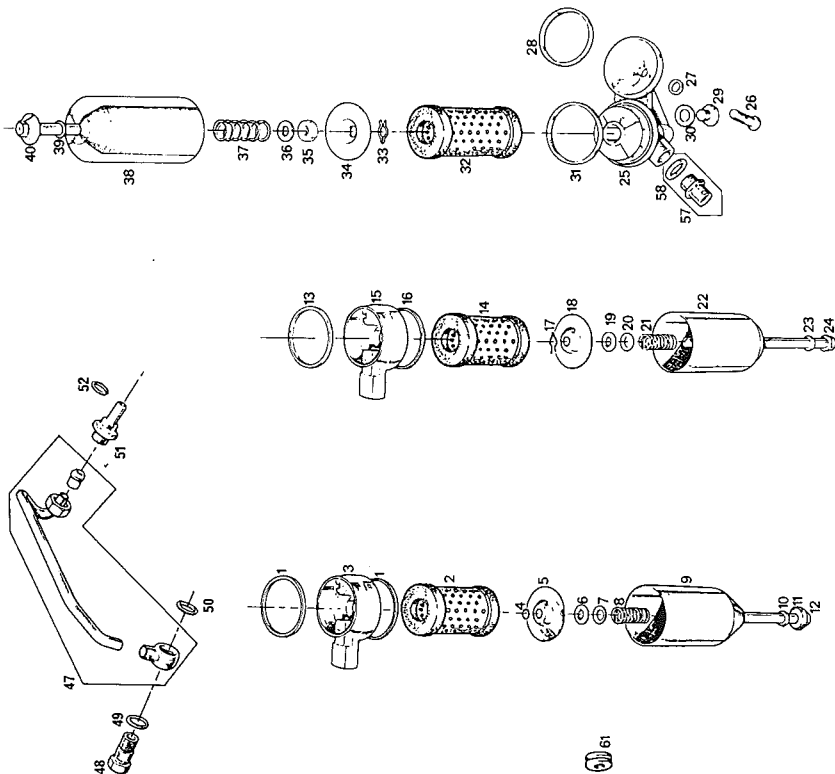
AG001	8G619	2	Sealing 'O' Ring	
AG002	GFE102	1	Filter (Cartridge) Element	
AG003	1H1052	1	Filter Head	
AG004	516884	1	Retaining Circlip	
AG005	17H1446	1	Pressure Plate	
AG006	17H1447	1	Sealing Washer	
AG007	17H1448	1	Washer, Flat	
AG008	17H1449	1	Tension Spring	
AG009	1H1053	1	Filter Bowl	
AG010	17H1556	1	Sealing Washer	
AG011	17H1559	1	Centre Bolt Collar	
AG012	17H1558	1	Centre Bolt	

18G-18GB Engines. Alternative Tecalemit Type ('62-'67)

AG013	8G619	1	Sealing 'O' Ring	18G-18GA ('62-'64)
AG014	GFE102	1	Filter (Cartridge) Element	
AG015A	1H1068	1	Filter Head	18GB ('65-'67)
AG016A	8G619	1	Filter Bowl Sealing Ring	
AG015B	8G740	1	Filter Head	
AG016B	13H998	1	Filter Bowl Sealing Ring	
AG017	7H1952	1	Retaining Clip	
AG018	17H846	1	Pressure Plate	
AG019	7H1968	1	Sealing Washer	
AG020	7H1969	1	Washer, Flat	
AG021	7H1764	1	Tension Spring	
AG022	1H1069	1	Filter Bowl	
AG023	7H1948	1	Sealing Washer	
AG024	7H1965	1	Centre Bolt With Flange	

18GD & 18GG Engines. Inverted Filter ('67-'69)

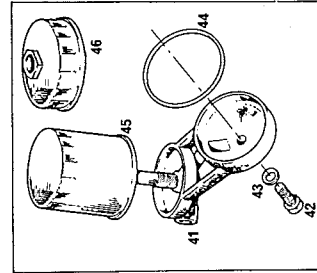
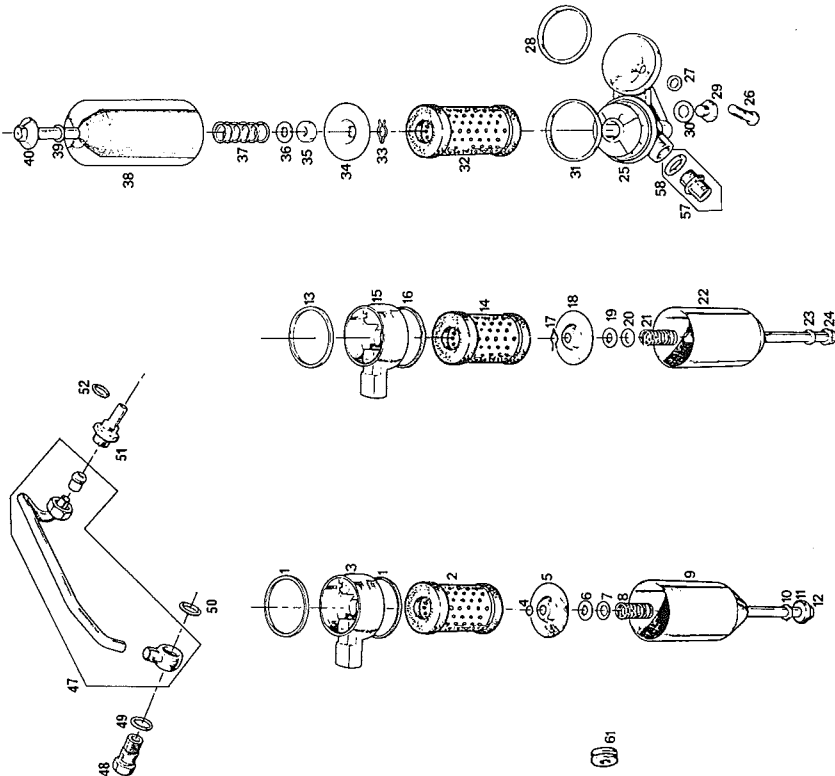
AG025	12H2244	1	Filter Adaptor	
AG026	BH508241	1	Filter Adaptor Bolt	
AG027	3H693	1	Sealing Washer	
AG028	8G619	1	Sealing 'O' Ring, (Adaptor To Block)	
AG029	53K2853	1	Drain Plug	
AG030	6K638	1	Drain Plug Washer	
AG031	13H998	1	Sealing Ring	
AG032	GFE102	1	Filter (Cartridge) Element	
AG033	17H2877	1	Circlip	
AG034	17H942	1	Pressure Plate	
AG035	7H1758	1	Sealing Washer	
AG036	7H1765	1	Washer, Flat	
AG037	7H1764	1	Tension Spring	
AG038	12H2258	1	Filter Bowl	
AG039	37H4506	1	Sealing Ring	
AG040	37H4505	1	Centre Bolt	



Section AG Continued

Oil Filter Assembly
18GH-18V Engines. (Top Loading) Inverted Cannister Filter (Spin On) ('69-'80)*

No.	Part No.	Description	Qty.	Remarks
AG041	12H3273	Adaptor Bracket	1	
AG042	BH508241	Adaptor Bolt	1	
AG043	3H693	Adaptor Washer	1	
AG044	8G619	Adaptor Sealing Ring	1	
AG045A	GFE121	3-3/4" Dia. Cannister Filter (Spin On)	1	
AG045B	GFE2	3-3/4" Dia. Cannister Filter, Micron	1	
AG046	GFT4	Cannister Removing Tool	1	
AG047	1H1056	Metal Feed Pipe ('62-'65)	1	Use With 3,15A & 15B Not oil cooler fitted cars
AG048	1K2142	Banjo Bolt	1	Metal Pipe
AG049	1H898	Washer, Outer	1	To
AG050	6K501	Washer, Inner	1	Filter Adaptor
AG051	1H922	Block Adaptor	1	
AG052	6K501	Washer, Sealing	1	



Section AH

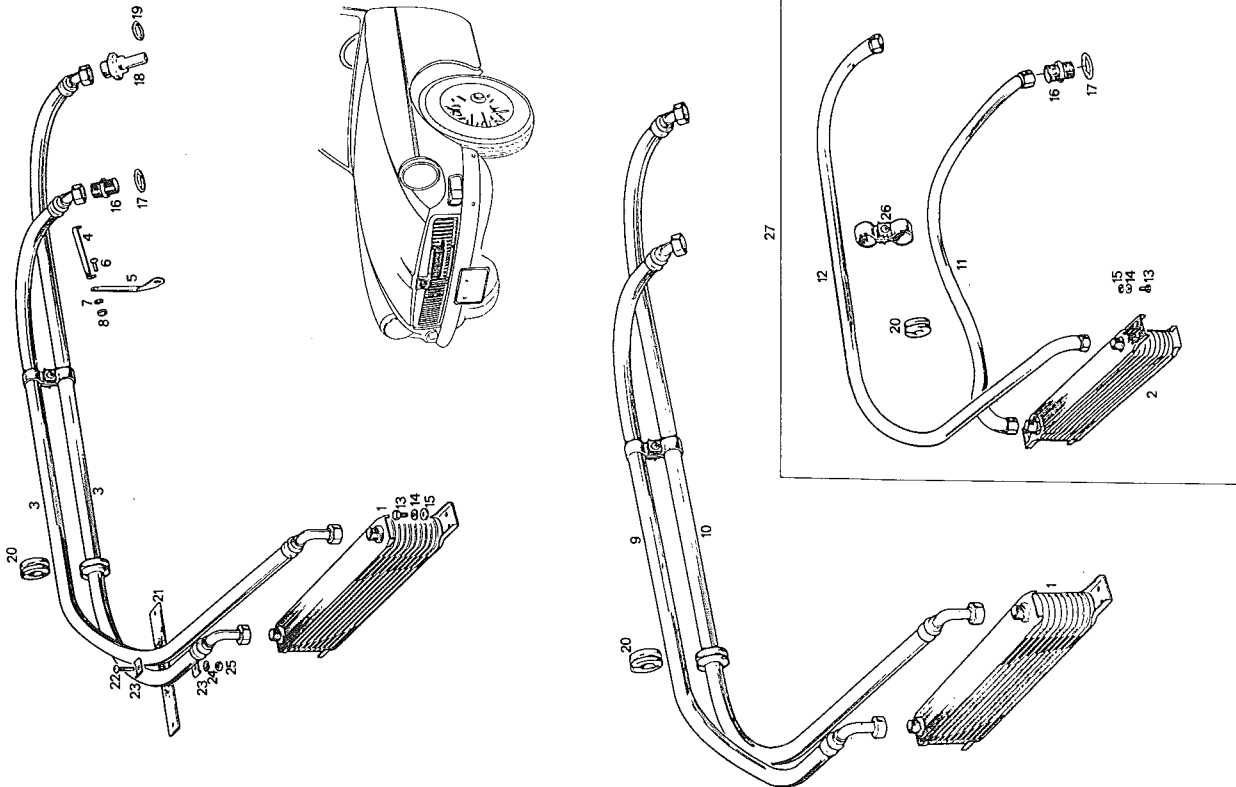
Oil Cooler Assembly

No.	Part No.	Description	Qty.	Remarks
AH001A	AR09807	Oil Cooler, 10 Row	1	('62-'63) Up to GHN3 47111 ('63-'74) GHN3 47112 On Chrome Bumper
AH001B	ARA221	Oil Cooler, 13 Row	1	
AH002	AR09807	Oil Cooler, 10 Row	2	18G-18GB 3 Synchro ('62-'67)
AH003	AHH8192	Oil Cooler, Hose	1	
AH004	AHH8300	Pipe Clip	1	4 Synchro Chrome Bumper ('67-'74)
AH005	AHH6864	Support Strap	1	
AH006	PMZ308	Screw	1	'74-'76) Rubber Bumper '76 on, Rubber Bumper
AH007	WL700101	Washer, Spring	1	
AH008	GHF206	Nut	1	
AH009	AHH8536	Hose, Cooler to Filter	1	
AH010	AHH8537	Hose, Cooler to Block	1	
AH011	BHH1609	Hose, Cooler to Filter	1	
AH012A	BHH1610	Hose, Cooler to Block	1	
AH012B	BHH1610	Hose, Cooler to Engine	2	
AH013	GHF117	Oil Cooler Mounting Screw	4	
AH014	GHF331	Washer, Spring	4	
AH015	GHF300	Washer, Flat	4	
AH016	AHH6701	Adaptor Union To Filter	1	
AH017	6K431	Adaptor Union Washer	1	
AH018	1H922	Adaptor Union Block	1	
AH019	6K501	Adaptor Sealing Washer	1	
AH020	AHA8401	Rubber Grommet	2	
AH021	AHH6865	Rubber Strap	3/2	
AH022	PMZ314	Screw	3/2	
AH023	AHH6866	Plate	6/4	
AH024	WL700101	Spring Washer	3/2	
AH025	GHF206	Nut	3/2	
AH026	AHH6866K	Hose Strap Kit	3/2	

Qty. Reduced From
GHN/D4 138401
('67-On)

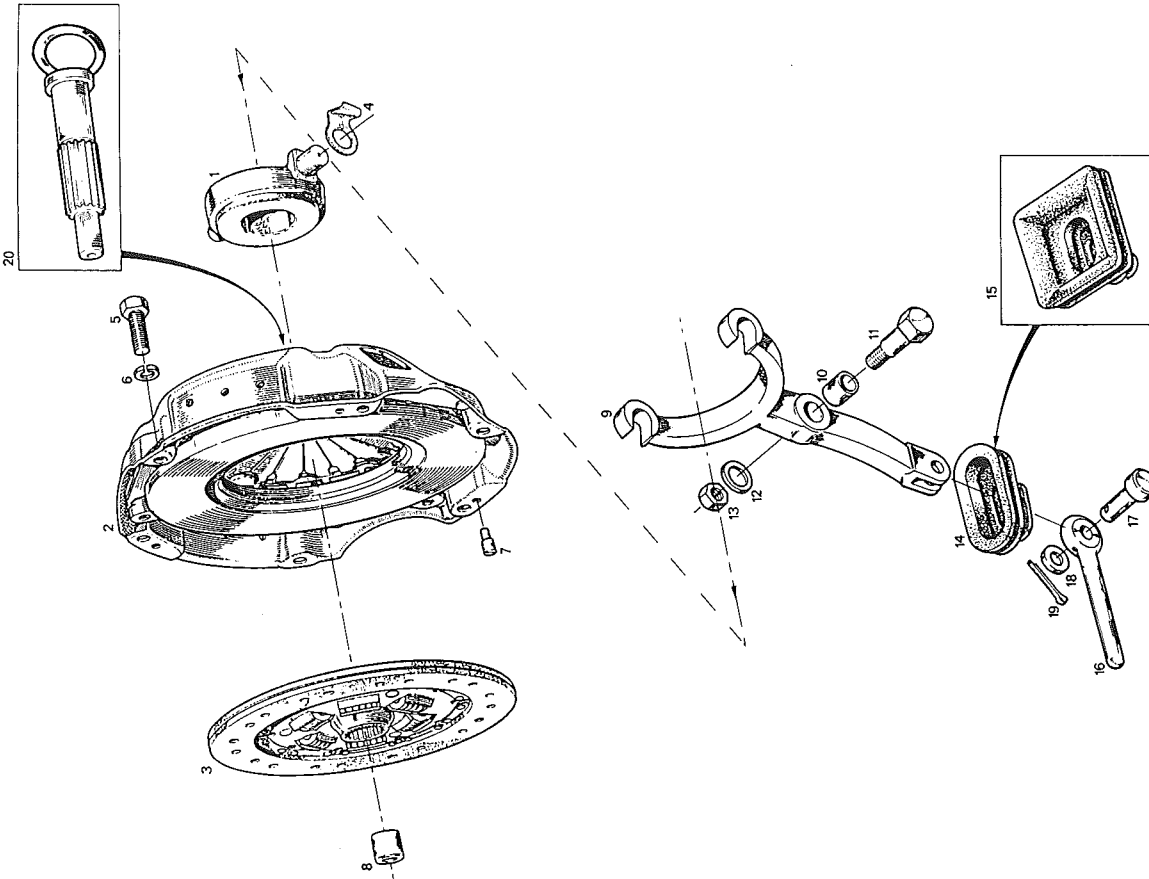
Metal Braided Oil Cooler Hoses can also be ordered using the original part number with an SS suffix.

- eg. AHH8192 SS
- AHH8536 SS
- AHH8537 SS
- BHH1609 SS
- BHH1610 SS



Section AI

Clutch Assembly



No.	Part No.	Description	Qty.	Remarks
AI001A	GRB106	Clutch Release Bearing	1	OE Carbon Type
AI001B	GRB106B	Clutch Release Bearing	1	Improved Roller Type
AI002	GCC118	Clutch Cover	1	
AI003A	GCP116	Clutch Driven Plate	1	
AI003B	GCK107X	Clutch Kit, 3 Piece	1	
AI004	22B66	Clutch Bearing Clip	2	Contains items 1A, 2 & 3A
AI005	SH605071	Clutch Cover Screw	6	
AI006	GHF332	Washer, Spring	6	
AI007	1G2984	Clutch Cover Dowel	3	
AI008A	1G765	Spigot Bearing 3 Brg	1	18G-18GA
AI008B	12H1630	Spigot Bearing 1.5"	1	Check Length
AI008C	22H1416	Spigot Bearing 1"	1	Before Ordering
AI009A	22B56	Clutch Fork	1	3 Synchro
AI009B	22H1056	Clutch Fork	1	4 Synchro
AI010	11G3195	Clutch Fork Bush	1	
AI011	11G3196	Clutch Fork Bolt	1	
AI012	12H2178	Washer, Flat	1	
AI013	GHF223	Nyloc Nut	1	
AI014	22H1337	Clutch Fork Gaiter	1	Chrome Bumper
AI015	22H1693	Clutch Fork Gaiter	1	Rubber Bumper
AI016	13H21	Push Rod	1	
AI017	2K5622	Clevis Pin	1	
AI018	GHF301	Washer, Flat	1	
AI019	GHF503	Split Pin	1	
AI020A	GAC5057	Clutch Aligning Tool	1	Use with 8A
AI020B	GAC5058	Clutch Aligning Tool	1	Use with 8B/C

Section AJ

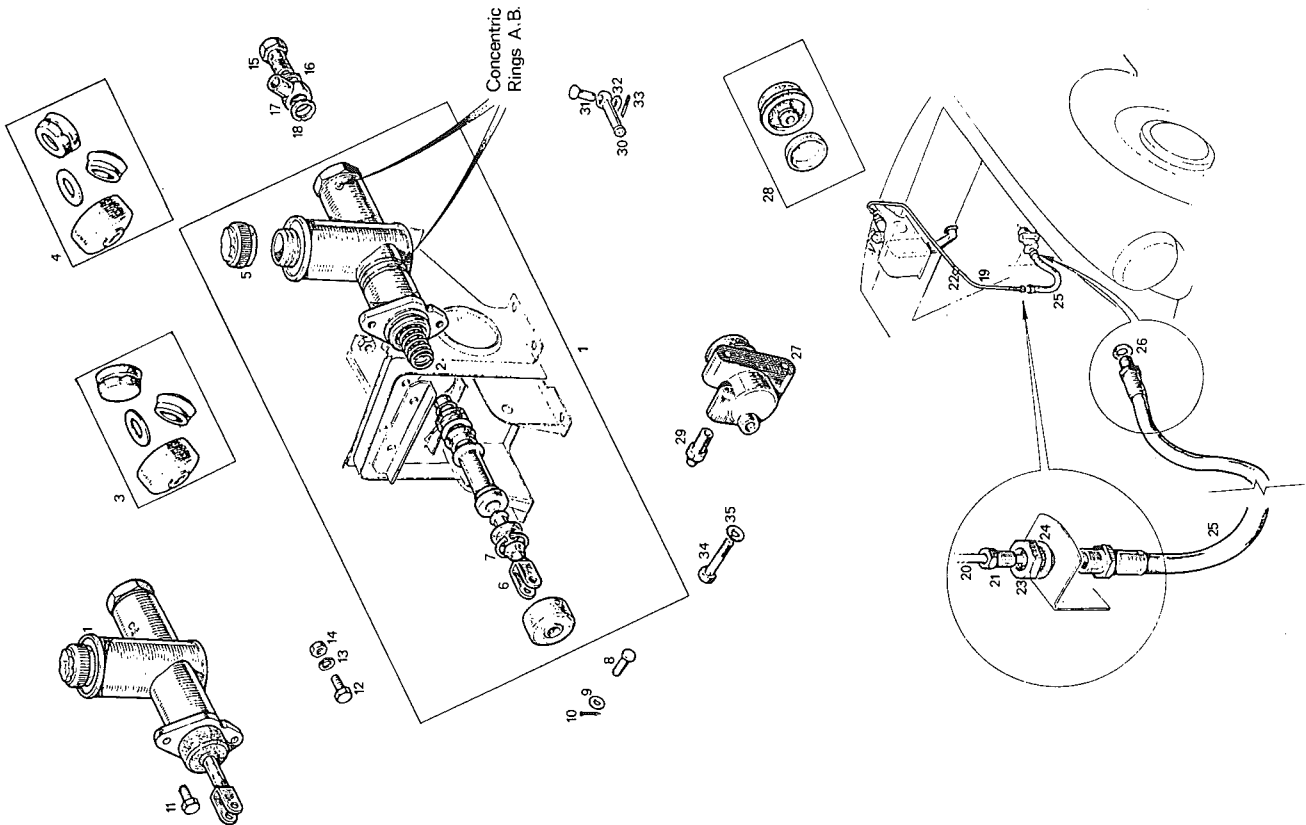
Clutch Hydraulics

No.	Part No.	Qty.	Description	Remarks
AJ001A	AHH6553	1	Master Cylinder	
AJ001B	GMC1007	1	Master Cylinder	(62-'67) 3 Synchro (67-On) 4 Synchro On
AJ002A	27H7751	1	Piston Return Spring	Use With 1A & 1B
AJ003	GRK3007	1	Master Cylinder Seal Kit	Use With 1A & 1B

Original Master Cylinders (1A & 1B) are no longer available, they have been superseded by replacement Master Cylinders (1C & 1D). These can be easily identified by looking for the concentric rings on the barrel of the cylinder (at A and/or at B). A final check can be made by looking at the main piston, if it has a raised shoulder on the pressure end, it is designed to take the later type kit 4. If it is flat across the pressure end, it is designed to use the early type seal kit 3. See also Brake Hydraulics.

AJ001C	AHH6553A	1	Replacement Master Cylinder	3 Synchro
AJ001D	AAU7152	1	Replacement Master Cylinder	4 Synchro On
AJ002B	542483	1	Piston Return Spring	Use With 1C & 1D
AJ004	BHM7127	1	Master Cylinder Seal Kit	Use With 1C & 1D
AJ005	513123A	1	Filler Cap, Plastic	
AJ006	17H7985	1	Push Rod	
AJ007	17H7560	1	Circlip	
AJ008	CLZ514	1	Clevis Pin	
AJ009	GHF301	1	Washer, Flat	
AJ010	GHF501	1	Split Pin	
AJ011A	GHF103	1	Upper Mounting Screw	
AJ011B	SH605071	1	Upper Mounting Screw	(62-'67) 3 Synchro
AJ012	SH605071	1	Lower Mounting Screw	(67-On) 4 Synchro On
AJ013	GHF332	2	Washer, Spring	
AJ014	GHF201	2	Nut	
AJ015	11D5264	1	Banjo Bolt	
AJ016	3H550	1	Banjo Washer, Large	
AJ017	BHA4310	1	Banjo Connector	
AJ018	233220A	1	Banjo Washer, Small	
AJ019	AAK806C	1	Clutch Pipe with Connectors	
AJ020	37H7148M	A/R	Pipe/metre	
AJ021	BCA4370	2	Tube Nut	
AJ022	PCR411	A/R	Pipe Retaining Clip	
AJ023	2K8686	1	Locknut	
AJ024	WE600101	1	Shakeproof Washer	Alternative
AJ025A	GVP1001	1	Flexible Hose	Alternative
AJ025B	TT3041	1	Metal Braided Flexible Hose	
AJ026	3H550	1	Sealing Washer	
AJ027	GSY106	1	Slave Cylinder Assembly	
AJ028	8G8420	1	Slave Cylinder Seal Kit	
AJ029	606733A	1	Bleed Screw	
AJ030	13H21	1	Push Rod	
AJ031	2K5622	1	Clevis Pin	
AJ032	GHF301	1	Washer, Flat	
AJ033	GHF501	1	Split Pin	
AJ034	BH506161	2	Slave Cylinder Mounting Screw	
AJ035	GHF333	2	Washer, Spring	

For Clutch Pedals, Pedal Box And Fittings See Brake Sections.



Section AK

Engine Mountings

Remarks

No. Part No. Qty. Description

Chrome Bumper Models ('62-'74)

AK001	BHH1351	1	Mounting Rubber, RH
AK002	BHH1352	1	Mounting Rubber, LH
AK003	AHH5065	1	Mounting Bracket, RH
AK004	AHH5066	1	Mounting Bracket, LH
AK005	GHF103	2	Mounting Bracket Screw, RH
AK006	SF605081	2	Mounting Bracket Screw, LH
AK007	SH606071	2	Mounting Bracket Screw to Block Washer, Spring
AK008	GHF333	2	Washer, Spring
AK009	GHF120	8	Mounting To Chassis Screw
AK010	GHF332	16	Washer, Spring
AK011	LNZ105	4	Nut (Self Locking)
AK012	GHF201	12	Nut
AK013	AHH6992	1	Mounting Spacer, LH

Not 3 Synchro Roadster; Qty decreases after GHN/D5 258000 (From GHN/D5 258000 replacing 1 of 14A)

Restraint Bracket

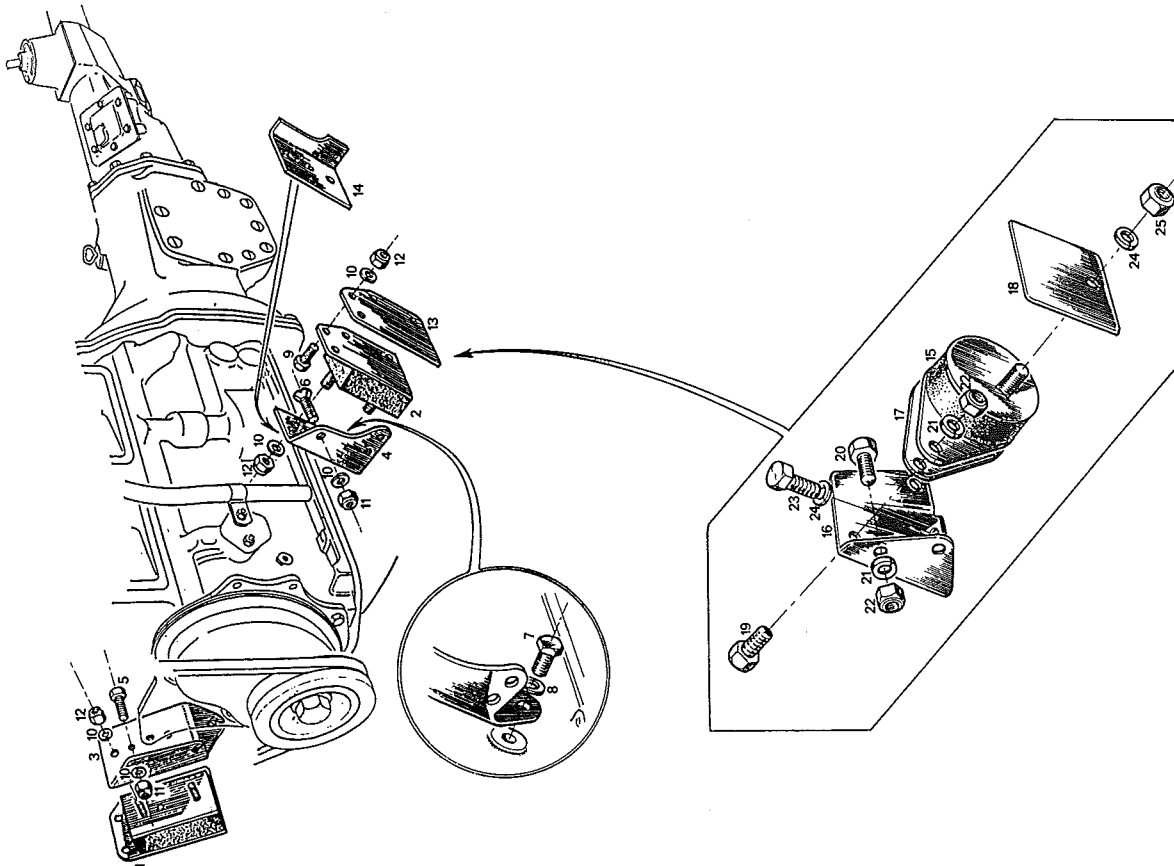
AK014A AHH7890 2/1

Restraint Bracket, LH

AK014B BHH1490 1

Rubber Bumper Models ('74-On)

AK015	BHH1621	2	Mounting Rubber
AK016A	BHH1619	1	Mounting Bracket, RH
AK016B	BHH1620	1	Mounting Bracket, LH
AK017	BHH1528	A/R	Mounting Spacer
AK018	BHH1618	2	Mounting Locating Plate
AK019	GHF120	4	Mounting Screw
AK020	SH605071	4	Mounting Bracket Screw
AK021	GHF332	8	Washer, Spring
AK022	GHF201	8	Nut
AK023	SH606061	2	Mounting Bracket Screw
AK024	GHF333	4	Washer, Spring
AK025	GHF202	2	Nut



Section AL

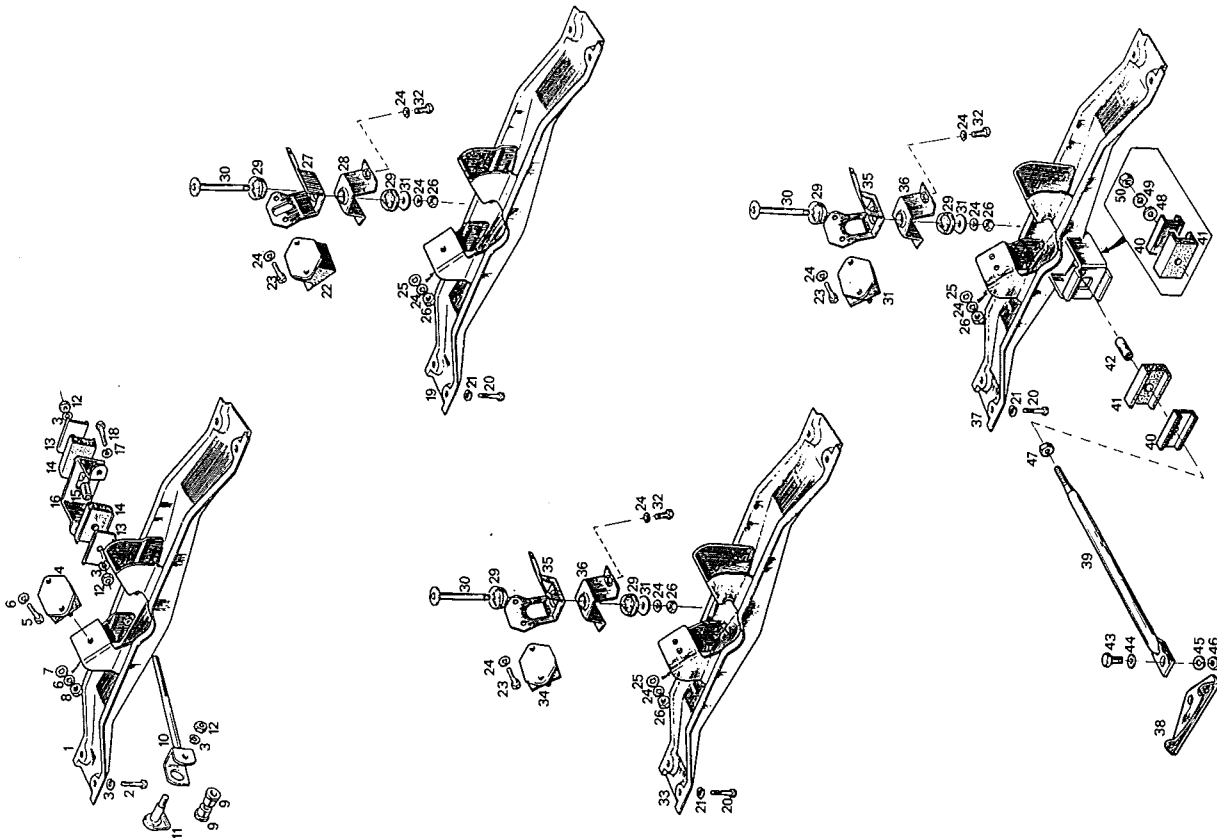
Gearbox Mountings

Remarks

No.	Part No.	Qty.	Description
TYPE 1. ('62-'67) 3 Synchro Roadster			
AL001	AHH6134	1	Crossmember
AL002	SH606071	4	Locating Screw
AL003	GHF333	7	Washer, Spring
AL004	GEX7453	2	Mounting Rubber
AL005	SH505051	4	Mounting Screw
AL006	GHF332	6	Washer, Spring
AL007	GHF301	2	Washer, Flat
AL008	GHF201	2	Mounting Nut
AL009	1B8347	2	Mounting Bush
AL010	AHH6056	1	Stay Rod
AL011	1G9384	1	Stay Pin
AL012	GHF202	3	Nut
AL013	1G8782	2	Buffer Plate
AL014	1G8781	2	Buffer Rubber
AL015	1G8775	1	Distance Tube
AL016	AHH6298	1	Mounting Bracket
AL017	GHF331	2	Washer, Spring
AL018	SH604051	2	Mounting Screw

TYPE 2. ('65-'67) 3 Synchro GT

AL019	AHH6134	1	Crossmember
AL020	SH606071	4	Locating Screw
AL021	GHF333	4	Washer, Spring
AL022	GEX7422	2	Mounting Rubber
AL023	SH505061	4	Mounting Screw
AL024	GHF332	9	Washer, Spring
AL025	GHF301	2	Washer, Flat
AL026	GHF201	3	Mounting Nut
AL027	AHH7852	1	Mounting Bracket, Upper
AL028	AHH7853	1	Mounting Bracket, Lower
AL029	AHH7854	2	Vertical Bush
AL030	AHH7855	1	Vertical Pin
AL031	AHH6340	1	Washer, Flat
AL032	GHF120	2	Mounting Screw



Section AL Continued

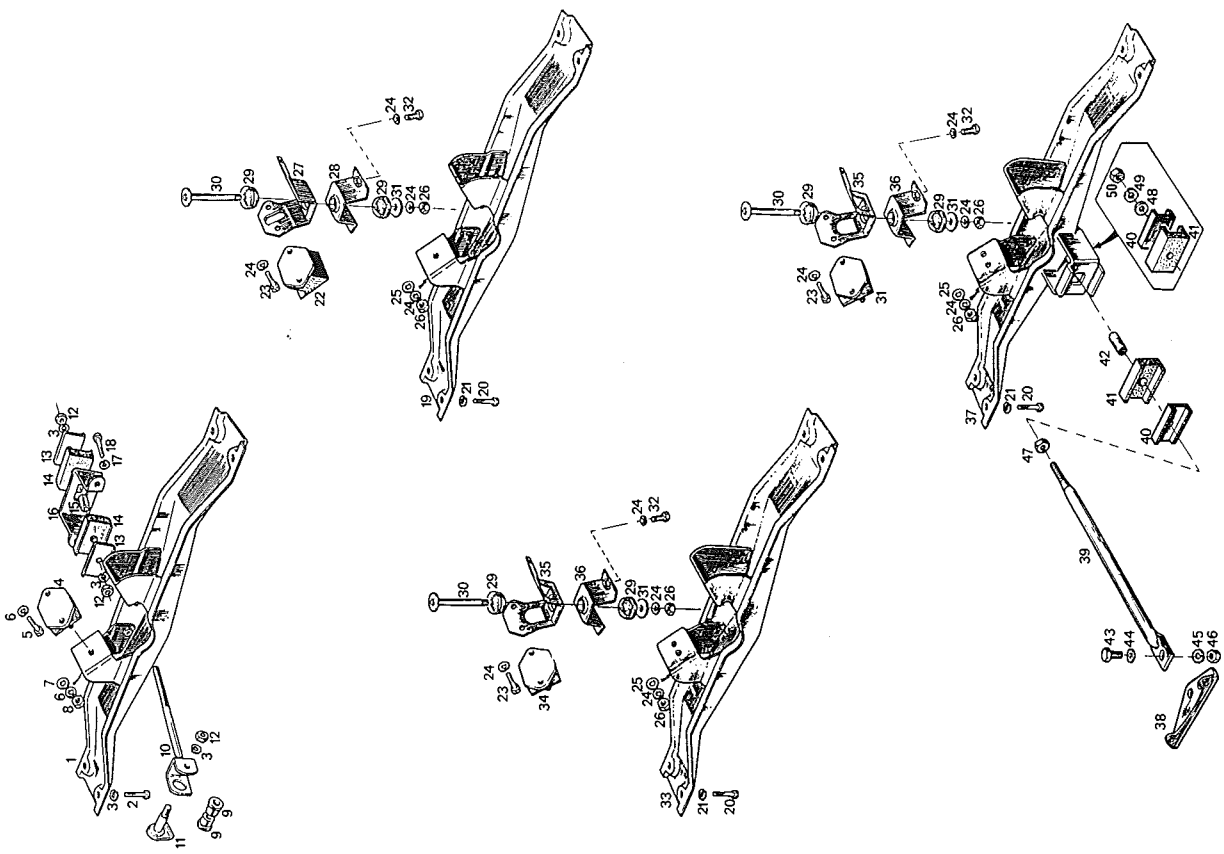
Gearbox Mountings

TYPE 3. ('67-'74) 4 Synchro Models Up to GHD5 341729/GHN5 341294 as TYPE 2 With The Following Changes.

No.	Part No.	Qty.	Description	Remarks
AL033	AHH8430	1	Crossmember	Replaces 19
AL034	GEX7453	2	Mounting Rubber	Replaces 22
AL035	AHH8431	1	Mounting Bracket, Upper	Replaces 27
AL036	AHH8432	1	Mounting Bracket, Lower	Replaces 28

TYPE 4. ('74-On) All Models From GHD5 341730/GHN5 341295 as TYPE 3 With The Additional Items.

AL037	BHH1543	1	Crossmember	Replaces 33
AL038	BHH1542	1	Tie-Bar Bracket	
AL039	BHH1540	1	Tie Bar Engine	
AL040	1G8782	2	Buffer Plate	
AL041	1G8781	2	Buffer Rubber	
AL042	1G8775	1	Distance Tube	
AL043	SH605101	1	Tie-Bar Bolt	
AL044	GHF301	1	Washer, Flat	
AL045	GHF332	1	Washer, Spring	
AL046	LNZ105	1	Nut (Self Locking)	
AL047	GHE202	2	Nut	
AL048	GHF302	1	Washer, Flat	
AL049	GHF333	1	Washer, Spring	
AL050	LNZ106	1	Nut (Self Locking)	

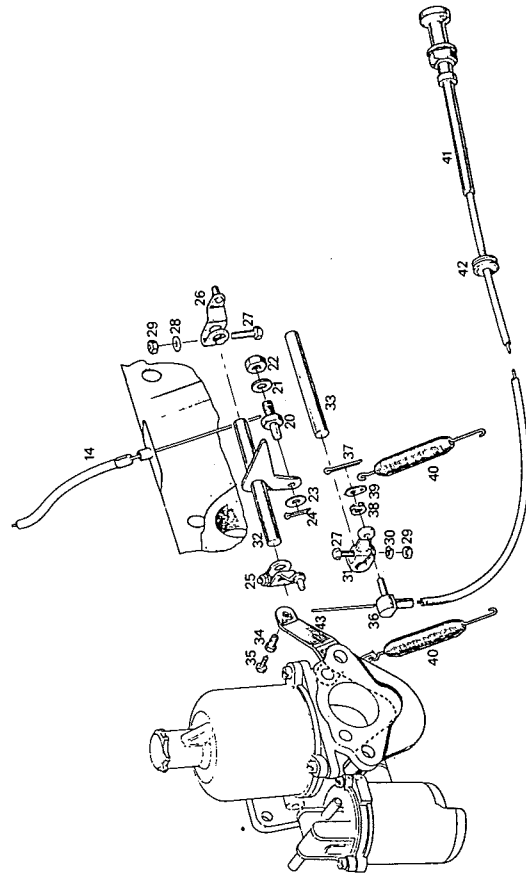
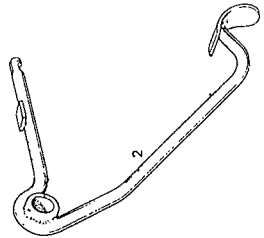
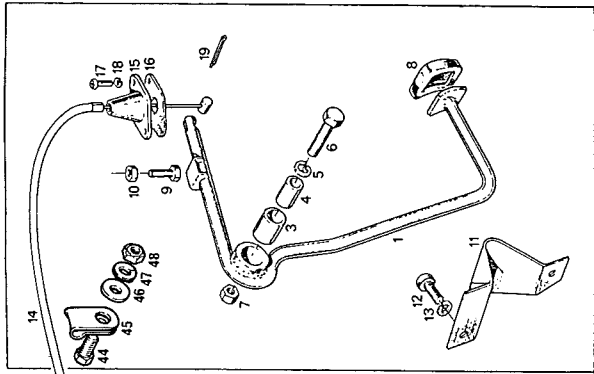


Section BA

Engine Controls For HS Type Carbs. 18G-18V ('62-'73)

No.	Part No.	Qty.	Description	Remarks
BA001	AHH6051	1	Pedal Assembly	
BA002	AHC647	1	Pedal Assembly	('62-'67) 3 Synchro
BA003	AHH5301	1	Pedal Bush	('67-'73) 4 Synchro
BA004	AHH6504	1	Distance Tube	
BA005	GHF332	1	Washer, Spring	
BA006	BH605111	1	Pivot Bolt	
BA007	GHF242	1	Nut (Self Locking)	
BA008	GPR105	1	Pedal Rubber	
BA009	SH604121	1	Pedal Stop Screw	
BA010	GHF200	1	Lock Nut	
BA011	AHH6494	1	Pedal Stop	
BA012	SE604051	2	Screw	
BA013	GHF331	2	Washer, Spring	
BA014	AHH8462	1	Accelerator Cable	
BA015	AHH5308	1	Pedestal	
BA016	ACA5073	1	Pedestal Seal	
BA017	PMZ307	2	Screw	
BA018	WL700101	2	Washer, Spring	
BA019	GHF500	1	Split Pin	
BA020	ACC5062	1	Cable Trunnion	
BA021	GHF300	1	Washer, Flat	
BA022	GHF200	1	Nut	
BA023	PWZ203	1	Washer, Flat	
BA024	GHF500	1	Split Pin	
BA025	AUE586	2	Lever And Pin, Front	
BA026	AUE587	2	Lever And Pin, Rear	
BA027	AUC2694	5	Bolt	
BA028	AUC8396	4	Washer, Flat	
BA029	AJD8012Z	5	Nut	
BA030	WL700101	1	Washer, Spring	
BA031	AUE180	1	Lever, Choke	
BA032	12H715	1	Lever, Accelerator	
BA033	AUC1462	1	Choke Operating Rod	
BA034	ACH9042	1	Choke Pin	
BA035	53K3503	1	Choke Screw	
BA036	AHH6734	1	Choke Trunnion	
BA037	GHF500	1	Split Pin	
BA038	AJD7721	1	Double Coil Spring Washer	
BA039	AAA649	1	Link Washer	
BA040	AEC2075	4	Return Spring	
BA041A	AHH6725	1	Choke Cable	
BA041B	BHH6653	1	Choke Cable	
BA042	RFK303	1	Grommet	
BA043	AHH6731	1	Choke Bracket	
BA044	PMZ308	1	Screw	
BA045	PCR307	1	Clip	
BA046	GHF306	1	Washer, Flat	
BA047	WL700101	1	Washer, Spring	
BA048	GHF206	1	Nut	

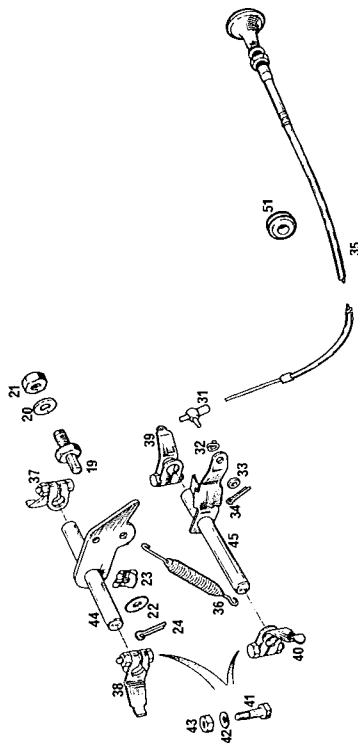
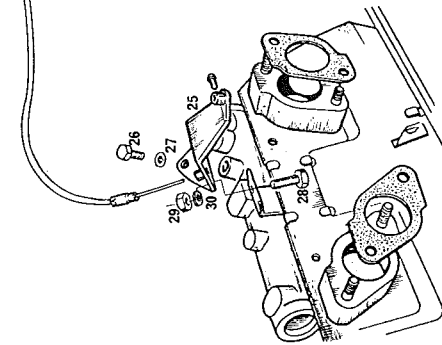
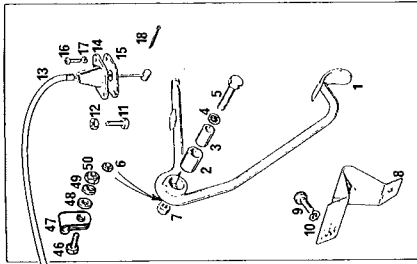
Throttle & Choke
('62-'70) 'C' Logo
('70 On) Star Logo



Section BB

Engine Controls For HIF SU Carbs 1973-74 (Chrome Bumper)

HIF Twin Carb Linkage



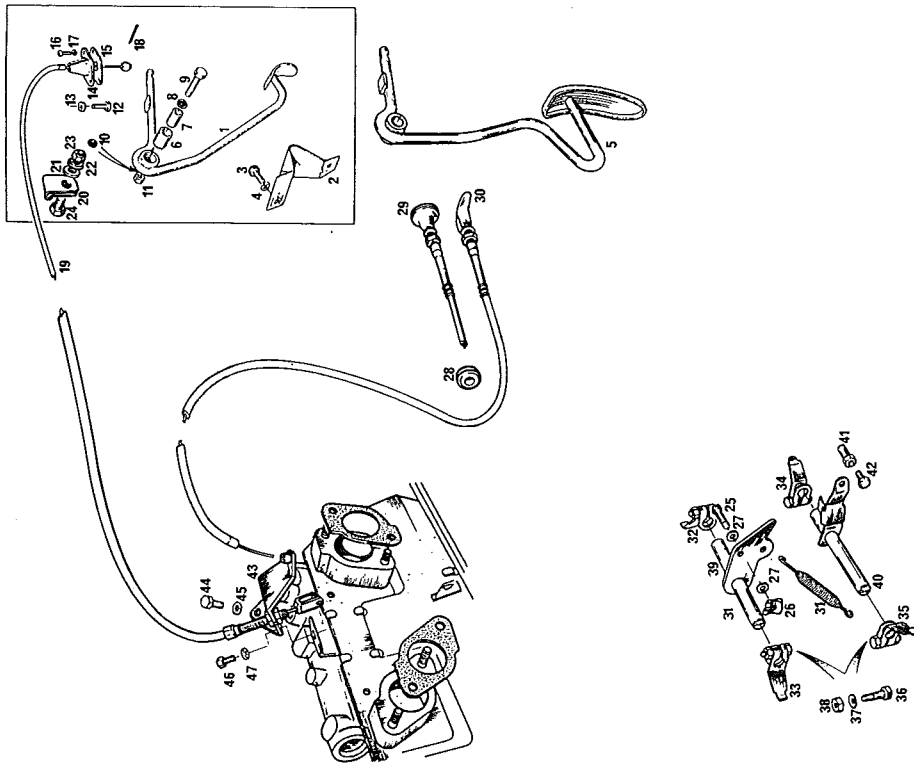
Remarks

No.	Part No.	Qty.	Description	Remarks
BB001A	AHC135	1	Pedal Assembly	
BB002	AHH5301	1	Pedal Bush	
BB003	AHH6504	1	Distance Tube	
BB004	GHF301	1	Washer, Plain	
BB005	BH605111	1	Pivot Bolt	
BB006	GHF332	1	Washer, Spring	
BB007	GHF242	1	Nut (Self Locking)	
BB008	AHH7162	1	Pedal Stop Bracket	
BB009	SE604051	2	Pedal Bracket Screw	
BB010	GHF331	2	Washer Spring	
BB011	SH604121	1	Pedal Stop Screw	
BB012	GHF200	1	Locknut	
BB013	AHH8462	1	Accelerator Cable	
BB014	AHH5308	1	Pedestal	
BB015	ACA5073	1	Pedestal Seal	
BB016	PMZ307	2	Screw	
BB017	WL700101	2	Washer, Spring	
BB018	GHF500	1	Split Pin	
BB019	ACC5062	1	Cable Trunnion	
BB020	GHF300	1	Washer, Flat	
BB021	GHF200	1	Nut	
BB022	PWZ203	1	Washer, Flat	
BB023	ACA5256	1	Washer, Anti Rattle	
BB024	GHF503	1	Split Pin	
BB025	BHH558	1	Bracket, Choke & Accelerator	
BB026	SH504041	1	Screw to Manifold	
BB027	GHF331	2	Washer, Spring	
BB028	SH604041	1	Screw to Heatshield	
BB029	GHF200	1	Nut	
BB030	53K3503	1	Screw (Choke Cable)	
BB031	BHH564	1	Choke Trunnion	
BB032	AJD7712	1	Washer, Spring	
BB033	GHF306	1	Washer, Flat	
BB034	GHF500	1	Split Pin	
BB035	BHH651	1	Choke Cable	
BB036	AEC2075	1	Accelerator Spring	
BB037	AUE685	1	Accelerator Lever, Rear	
BB038	AUE496	1	Accelerator Lever, Front	
BB039	AUE587	1	Choke Lever, Rear	
BB040	AUE586	1	Choke Lever, Front	
BB041	AUC2694	4	Lost Motion Lever Screw	
BB042	AUC8396	4	Lost Motion Lever Washer, Flat	
BB043	AJD8012Z	4	Lost Motion Lever Nut	
BB044	BHH631	1	Link, Accelerator	
BB045	BHH633	1	Link, Choke	
BB046	PMZ308	1	Screw	
BB047	PCR307	1	Clip	
BB048	GHF306	1	Washer, Flat	
BB049	WL700101	1	Washer, Spring	
BB050	GHF206	1	Nut	
BB051	RFR303	1	Choke Cable Grommet	

Section BC

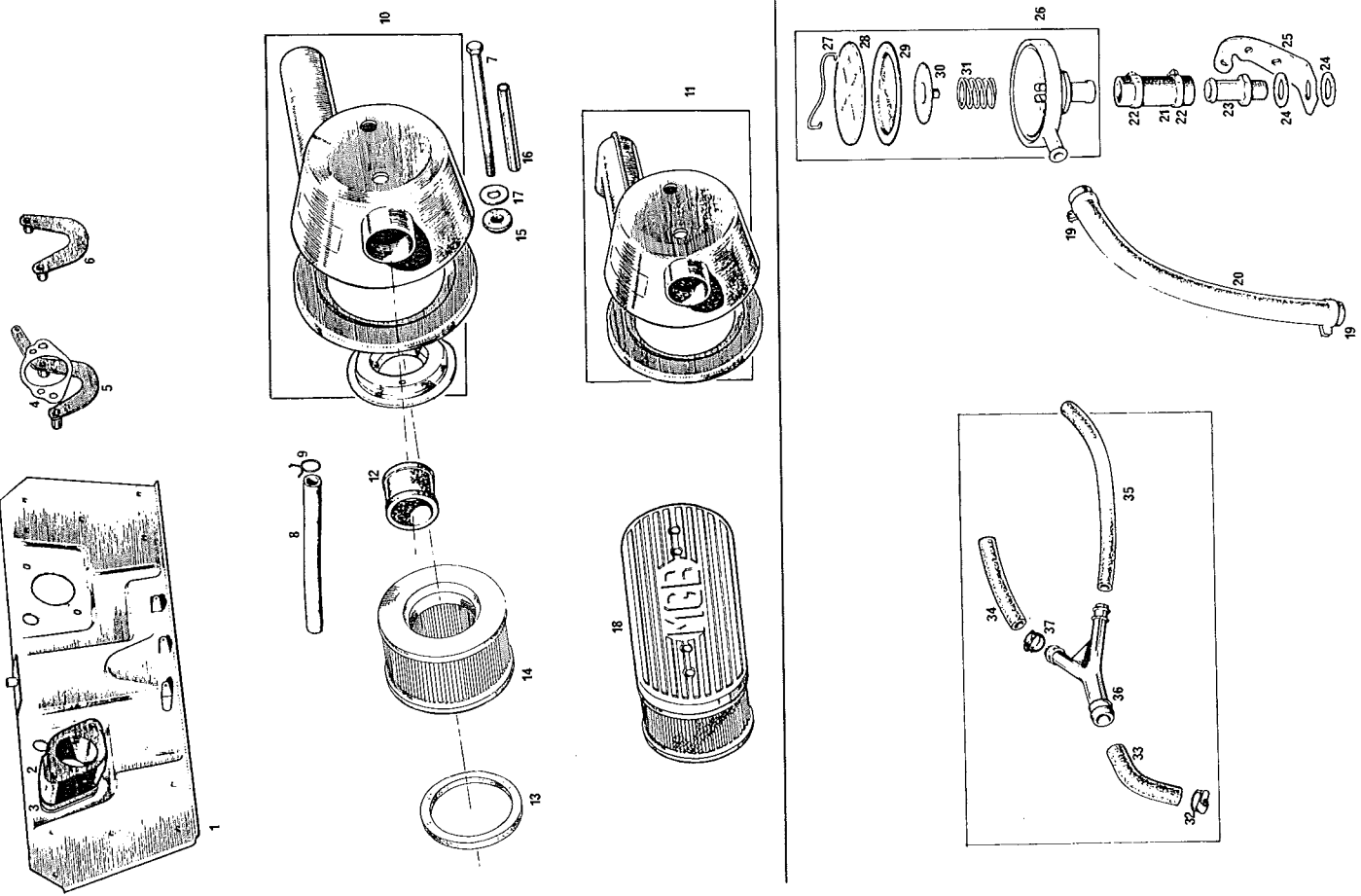
Engine Controls for HIF SU Carbs 1975 On (Rubber Bumper)

No.	Part No.	Qty.	Descriptions	Remarks
BC001	BHH1692	1	Pedal Assembly	Up to 76 GHN/D5 410000
BC002	AHH7162	1	Pedal Stop Bracket	
BC003	SE604051	2	Pedal Bracket Screw	
BC004	GHF331	2	Washer, Spring	
BC005	BHH1971	1	Pedal Assembly	
BC006	AHH5301	1	Pedal Bush	
BC007	AHH6504	1	Distance Tube	
BC008	GHF301	1	Washer, Plain	
BC009	BH605111	1	Pivot Bolt	
BC010	GHF332	1	Washer, Spring	
BC011	GHF242	1	Nut (Self Locking)	
BC012	SH604121	1	Pedal Stop Screw	
BC013	GHF200	1	Locknut	
BC014	AHH5308	1	Pedestal	
BC015	ACA5073	1	Pedestal Seal	
BC016	PMZ307	2	Screw	
BC017	WL700101	2	Washer, Spring	
BC018	GHF500	1	Split Pin	
BC019	BHH1648	1	Accelerator Cable	
BC020	PCR307	1	Clip	
BC021	GHF306	1	Washer, Flat	Single line brakes (Up to 1977)
BC022	WL700101	1	Washer, Spring	
BC023	GHF206	1	Nut	
BC024A	PMZ308	1	Screw	
BC024B	GHF423	1	Screw (Self Tapping)	1978 on
BC025	BHA5357	1	Accelerator Pin	
BC026	BHA5358	1	Accelerator Pin Clip	
BC027	PWZ203	2	Washer, Flat	
BC028	RFR403	1	Choke Cable Grommet	
BC029	BHH650	1	Choke Cable	Up to 76 1976 on
BC030	BHH2064	1	Choke Cable	
BC031	AEC2075	1	Accelerator Spring	
BC032	AUE685	1	Accelerator Lever, Rear	
BC033	AUE496	1	Accelerator Lever, Front	
BC034	AUE587	1	Choke Lever, Rear	
BC035	AUE586	1	Choke Lever, Front	
BC036	AJD1042	4	Lost Motion Lever Screw	
BC037	AUC8396	4	Lost Motion Lever Washer, Flat	
BC038	AJD80122	4	Lost Motion Lever Nut	
BC039	BHH631	1	Link, Accelerator	
BC040	BHH633	1	Link, Choke	
BC041	AHA6367	1	Pin, Choke Cable	
BC042	ACA5453	1	Screw	
BC043	BHH1676	1	Bracket, Choke and Accelerator	
BC044	SH504041	1	Screw to Manifold	
BC045	GHF331	1	Washer, Spring	
BC046	SH604041	1	Screw to Heatshield	
BC047	GHF331	1	Washer, Spring	



Heat Shields, Air Filters and Manifolds

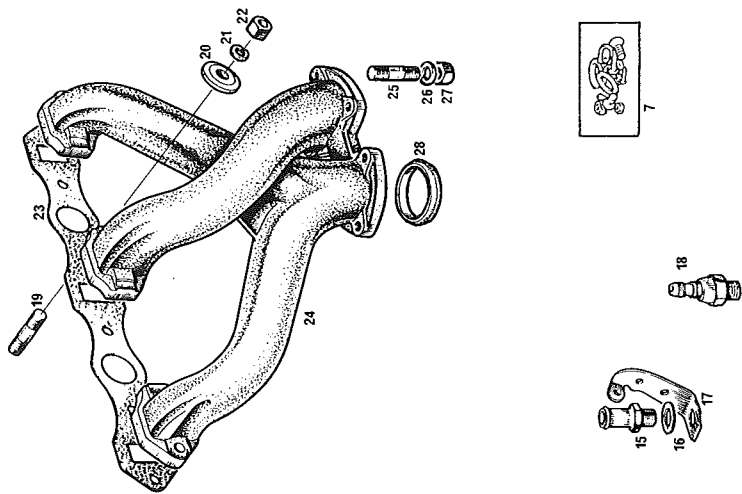
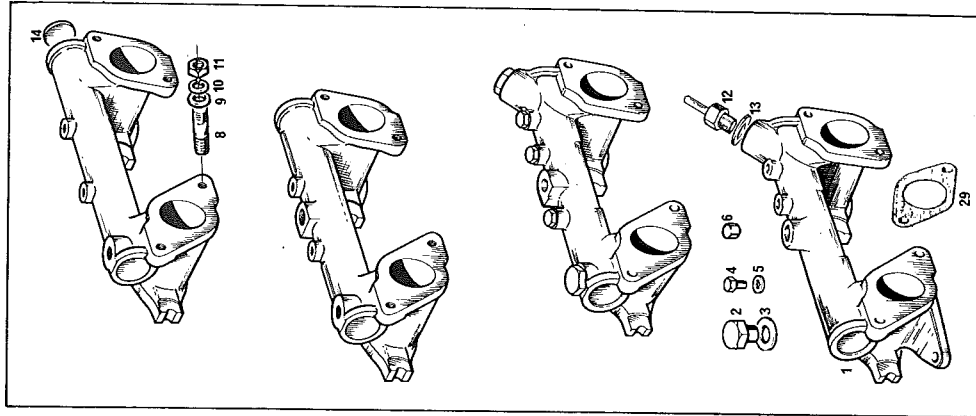
No.	Part No.	Qty.	Description	Remarks	
BD001A	12H719	1	Heat Shield	62-73 HS Type 73-76 HIF Type 76 on (GHN/D5 410001 on)	
BD001B	12H3607	1	Heat Shield, Metal		
BD001C	CAM11194	1	Heat Shield, Asbestos		
BD002	12H712	2	Carb Spacer Block		
BD003	AEC2083	6	Carb Spacer Gasket		
BD004	12G2125	2	Carb Filter Gasket		
BD005	AHH6731	1	Filter Bracket, Front	62-72 HS Type Carburettor Only	
BD006	AHH6732	1	Filter Bracket, Rear		
BD007A	BH605401A	4	Filter Bolt, Fine	73 On HIF Carburettors 18G Engines Only	
BD007B	BH505361	4	Filter Bolt Coarse		
BD008	AHA5930	1	Hose, Engine to Filter	Use with original filter Back Plates Does not require original air filter backplate 18GA-GD 1962-68	
BD009	ACA5290	2	Hose Clip		
BD010	AHH6447	2	Filter Housing		
BD011	BHH547	2	Filter Housing		
BD012	AHH6465	1	Filter Housing Coupling		
BD013	17H2544	2	Filter Housing Seal		
BD014	GFE1003	2	Filter Element		
BD015	108496	4	Filter Housing Grommet		
BD016	17H2542	4	Filter Housing Spacer		
BD017	PWZ205	4	Washer, Flat		
BD018A	KNMG240	1	Filter Assembly, K&N		
BD018B	KNSD38	2	Individual K&N Filter		
BD019	ACH5854	2	Hose Clip		18G-GD only 1962-68
BD020	12G581	1	Hose Valve to Side Chest		
BD021	12G610	1	Hose Valve to Manifold		
BD022	GHC507	2	Hose Clip		
BD023	12H1405	1	Hose Adaptor		
BD024	51K3811	2	Washer, Sealing		
BD025	12H1406	1	Support Bracket		
BD026	13H5191	1	Replacement Valve Assembly		
BD027	27H7760	1	Clip	Components of BD026 Only	
BD028	27H7759	1	Plate		
BD029	27H7758	1	Seal		
BD030	149342	1	Plunger		
BD031	27H7756	1	Plunger Spring		
BD032	GHC507	2	Clip, Y Piece to Engine		
BD033	CAM1818	1	Hose, Y Piece to Engine		
BD034	CAM5226	1	Hose, Y Piece to Carb Front		
BD035	CAM5227	1	Hose, Y Piece to Carb Rear		
BD036	12G2134	1	Y Piece		
BD037	ACH5854	4	Clip, Y Piece to Carburettor		



Section BE

Manifolds

No.	Part No.	Description	Qty.	Remarks
BE001	CHM171	Inlet Manifold	1	
BE002	ADP210	Plug for Large Holes	A/R	
BE003	51K3811	Washer for BE002	A/R	
BE004	12H2572	Plug for Small Holes	A/R	
BE005	AEC435	Washer for BE004	A/R	
BE006	12H1734	Brass Plus Unthreaded	A/R	
BE007	GBK0053	Plug Kit for Manifold	1	
BE008	CHS2522	Carburettor Mounting Stud	4	
BE009	GHF301	Flat Washer	4	
BE010	GHF332	Spring Washer	4	
BE011	NT605041	Nut	4	
BE012	BAU2164	Servo Take Off Valve ('62-'67)	1	When Fitted
BE013	267604A	Washer	1	
BE014	2K8159	Core Plug	2	
BE015	12H1405	Adaptor	1	
BE016	51K3811	Sealing Washer	2	
BE017	12H1406	Mounting Bracket	1	
BE018	12H3574	Vacuum Pipe Adaptor	1	
BE019A	FHS2515	Manifold to Head Stud (Inner)	4	
BE019B	FHS2513	Manifold to Head Stud (Outer)	2	
BE020	1G2418	Yoke	4	
BE021	GHF332	Spring Washer	6	
BE022	GHF261	Brass Nut	6	
BE023	AJM602	Manifold to Head Gasket	1	
BE024	12H3911	Exhaust Manifold	1	
BE025	CHS2513	Outlet Flange Stud	6	
BE026	GHF332	Spring Washer	6	
BE027A	AHH8382	Steel Nut (with Helicoil)	6	
BE027B	GHF261	Alternative Brass Nut	6	
BE028	GEG753	Manifold to Downpipe 'O' Ring	2	
BE029	AEC2083	Manifold to Carburettor Gasket	6	

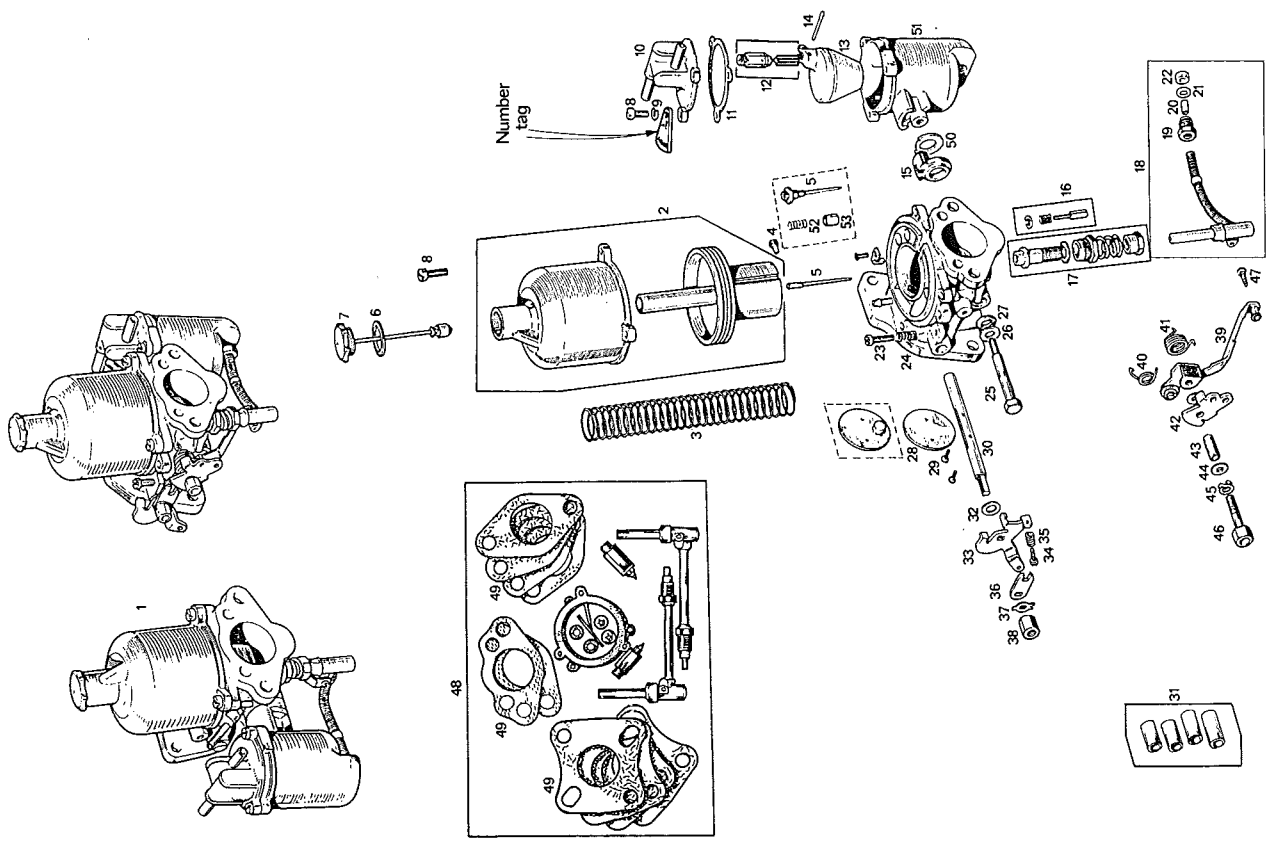


Section BF

HS4 Carburetors ('62-'73)

Types * AUD52, AUD135, AUD278, AUD325 & AUD492

No.	Part No.	Qty.	Description	Remarks
BF001A	AUD52E	1	Carburettor Set	('62-'64) 18G/18GA
BF001B	AUD135E	1	Carburettor Set	('65-'66) 18GB
BF001C	AUD278E	1	Carburettor Set	('67-'68) 18GD
BF001D	AUD325E	1	Carburettor Set	('69-'71) 18GG
BF001E	AUD492E	1	Carburettor Set	('71-'72) 18V
BF002A	AUD9635	2	Piston Assembly	AUD52 & AUD135, 278, 325
BF002B	AUD9988	2	Piston Assembly	AUD492
BF003	AUC4387	2	Piston Spring (Red)	
BF004A	AUC2057	2	Needle Locking Screw	AUD52, 135, 278, 325
BF004B	AUD4251	2	Needle Locking Screw	AUD492
BF005A	AUD1483	2	MB Needle (Std mixture)	AUD52
BF005B	AUD1004	2	No 5 Needle (Std mixture)	AUD135
BF005C	AUD1530	2	FX Needle (Std mixture)	AUD278, 325
BF005D	CUD1018	2	Needle, Swing type	AUD492
BF006	AUC4900A	2	Washer	
BF007	AUC8114A	1	Damper	
BF008	JZX1394	12	Screw	
BF009	LWZ303	12	Spring Washer	
BF010A	AUE279	1	Float Chamber Lid	(Rear)
BF010B	AUE278	1	Float Chamber Lid	(Front)
BF011	AUC8459A	2	Float Chamber Gasket	
BF012	WZX1100A	2	Needle Valve & Seat Kit	
BF013	WZX1300	2	Float Assembly	
BF014	AUC1152	2	Float Hinge Pin	(Rear)
BF015A	AUD2676	1	Float Mounting Grommet	(Front)
BF015B	AUD2677	1	Float Mounting Grommet	
BF016	WZX1107	2	Lift Pin Kit	
BF017A	WZX1341	2	Jet Bearing Kit	AUD52, 135, 278, 325
BF017B	WZX1442	2	Jet Bearing Kit	AUD492
BF018A	AUD9142A	1	Main Jet Assembly	(Rear)
BF018B	AUD9141A	1	Main Jet Assembly	(Front)
BF019	AUD2129	2	Nut	
BF020	AUD2195	2	Ferrule	
BF021	AUC8461	2	Washer	
BF022	AUD2194	2	Gland Rubber	
BF023	AUC8483	2	Idle Screw	
BF024	AUC2451	2	Spring	

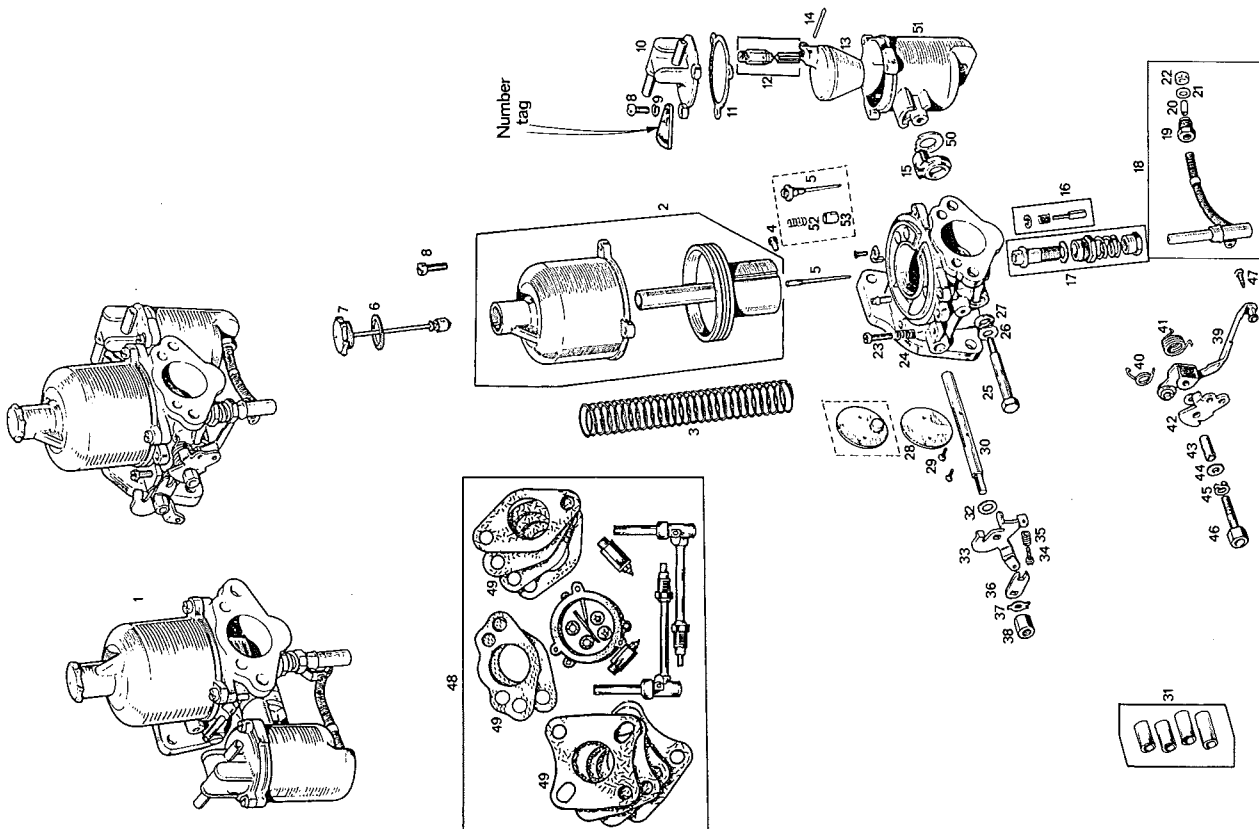


* The identification tag is a triangular plate attached to one of the three float chamber lid screws.

Section BF Continued

HS4 Carburetors ('62-'73)

No.	Part No.	Qty.	Description	Remarks
BF025A	AUD2891	2	Float Mounting Bolt	AUD52, AUD135, 278, 325
BF025B	AUD3017	2	Float Mounting Bolt	AUD265, 492
BF026	AUC1317	2	Flat Washer	
BF027	AUC1318	2	Rubber Washer	
BF028	WZX1323	2	Throttle Disc	
BF029	AUC1358	4	Disc Retaining Screw	
BF030	WZX1312	2	Throttle Spindle Kit	
BF031	WZX1177	1	Spindle Bush Kit	Machine After Fitting
BF032	AUC2625	2	Washer	
BF033A	AUC2787	1	Throttle Return Lever	(Rear)
BF033B	AUC2788	1	Throttle Return Lever	(Front)
BF034	AUC8483	2	Throttle Stop Screw	
BF035	AUC2451	2	Spring	
BF036	JZX1328	2	Lost Motion Lever	
BF037	AUD3323	2	Lock Tab	
BF038	AUC1424	2	Nut	
BF039A	AUD9093	1	Choke Control Lever	(Rear) AUD52, 135
BF039B	AUD9092	1	Choke Control Lever	(Front) AUD52, 135
BF039C	AUD9656	1	Choke Control Lever	(Rear) AUD278
BF039D	AUD9657	1	Choke Control Lever	(Front) AUD278
BF039E	AUD9394	1	Choke Control Lever	(Rear) AUD325
BF039F	AUD9393	1	Choke Control Lever	(Front) AUD325
BF039G	CUD3073	1	Choke Control Lever	(Rear) AUD492
BF039H	CUD3072	1	Choke Control Lever	(Front) AUD492
BF040A	AUD2049	1	Cam Lever Spring	(Rear)
BF040B	AUD2050	1	Cam Lever Spring	(Front)
BF041A	AUC1375	1	Choke Lever Spring	(Rear)
BF041B	AUC8462	1	Choke Lever Spring	(Front)
BF042A	AUD3347	1	Cam Lever	(Rear)
BF042B	AUD3346	1	Cam Lever	(Front)
BF043	AUC8473	2	Pivot Bolt Tube	
BF044	AUD2433	2	Flat Washer	
BF045	AUD2429	2	Spring Washer	
BF046	AUC1426	2	Pivot Bolt	
BF047	PTZ605	2	Link To Jet Screw	
BF048	WZX1859	1	Overhaul Kit	
BF049	AUE811A	2	Gasket Pack	
BF050	AUC1329	2	Locating Washer	
BF051	AUC1310	2	Float Chamber	
BF052	AUD3306	2	Jet Needle Spring	
BF053	AUD4288	2	Jet Needle Guide	



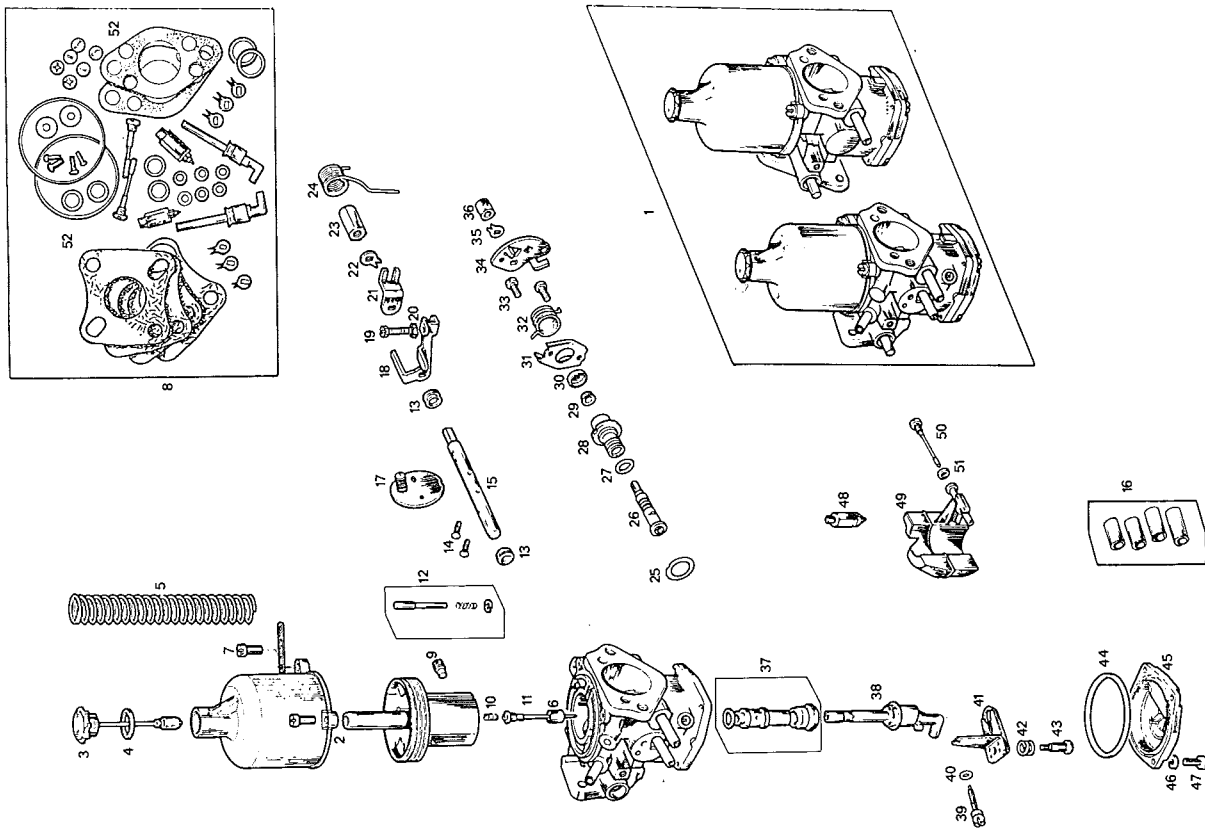
Section BG

HIF4 Carburetors ('74-on)

Types * AUD434, AUD616 & FZX1001 & FZX1229

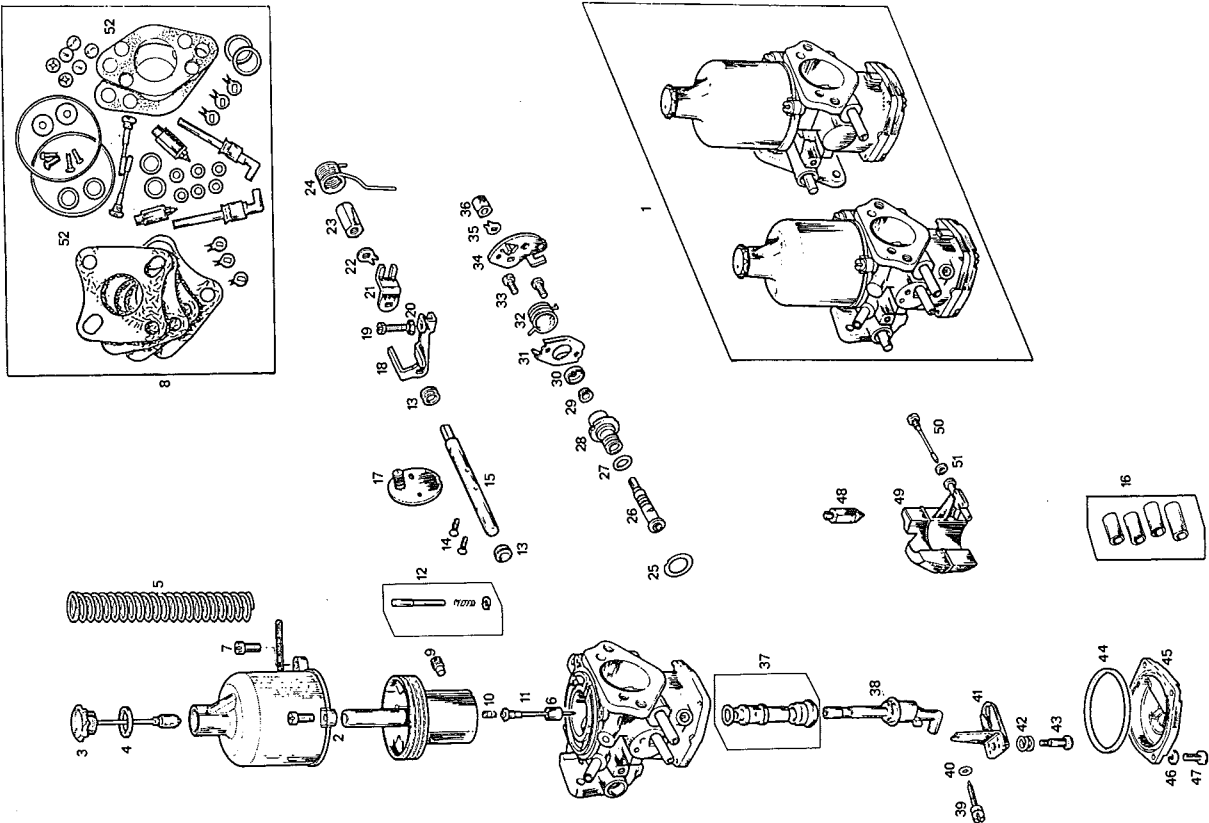
No.	Part No.	Qty.	Description	Remarks
BG001A	AUD434E	1	Carburettor (Pair)	AUD434
BG001B	AUD616E	1	Carburettor (Pair)	(72) AUD616
BG001C	FZX1001E	1	Carburettor (Pair)	(73-74) FZX1001
BG001D	FZX1229E	1	Carburettor (Pair)	(74-76) FZX1229
BG002	CUD2736	2	Piston Assembly	(76 On)
BG003	AUC8114A	2	Damper	
BG004	AUC4900A	2	Fibre Washer	
BG005	AUC4387	2	Piston Spring (Red)	AUD434 & AUD616
BG006A	AUD3775	2	Needle Guide	FZX1001, FZX1229
BG006B	AUD4287	2	Needle Guide	
BG007	JZX1394	6	Screw	
BG008	WZX1850	1	Overhaul Kit	
BG009A	AUD3308	2	Needle Locking Screw	AUD434, 616, FZX1001
BG009B	AUD4251	2	Needle Locking Screw	FZX1229
BG010	AUD3306	2	Needle Spring	
BG011A	CUD1018	2	AAU Needle	AUD434, 616, FZX1001
BG011B	CUD1051	2	ACD Needle	FZX1229
BG012	WZX1104	2	Lifting Pin Kit	
BG013	AUD3577	4	Spindle Seal	
BG014	AUC1358	4	Throttle Disc Screw	
BG015	WZX1170	2	Throttle Spindle Kit	
BG016	WZX1170X	1	Spindle Bush Kit	
BG017	WZX1329	2	Throttle Disc Kit	
BG018A	AUD3592	1	Throttle Lever	Machine After Fitting
BG018B	AUD3591	1	Throttle Lever	(Front)
BG019	AUC8483	4	Adjusting screw, Idle/Choke	(Rear)
BG020	AJD8014Z	4	Lock Nut	
BG021	AUD3518	2	Lost Motion Lever	
BG022	AUD3323	2	Locktab	
BG023	AUD3471	2	Spindle Nut	
BG024A	AUD4273	1	Return Spring	(Front)
BG024B	AUD4272	1	Return Spring	(Rear)

* The identification tag carrying the carb. number is a rectangular plate attached to one of the three dashpot cover screws on each unit.



Section BG Continued
HIF4 Carburetors ('74-on)

No.	Part No.	Qty.	Description	Remarks
BG025	AUD3605	2	Gasket	
BG026	CUD2790	2	Starter Valve Spindle	
BG027	AUD3602	2	'O' Ring	
BG028	AUD4212	2	Valve Body	(Front)
BG029	AUD3577	2	Seal	(Rear)
BG030	AUD4217	2	Spring Support	
BG031A	AUD3604	1	Clamp Plate	(Front)
BG031B	AUD3603	1	Clamp Plate	(Rear)
BG032	AUD3609	2	Lever Return Spring	
BG033	AUD3606	4	Screw	
BG034A	AUD4408	1	Cam Lever	(Front)
BG034B	AUD4407	1	Cam Lever	(Rear)
BG035	AUD3323	2	Lock Tab	
BG036	AUC1424	2	Nut	
BG037	WZX1440	2	Jet Bearing Kit	
BG038A	WZX1454A	1	Main Jet Assembly	(Front)
BG038B	WZX1455A	1	Main Jet Assembly	(Rear)
BG039	AUD3585	2	Adjusting Screw	
BG040	AUD3586	2	Sealing Ring	
BG041	CUD2399	2	Temperature Compensator	
BG042	AUD3583	2	Coil Spring	
BG043	AUD3584	2	Screw	
BG044	AUD3588A	2	Sealing Ring	
BG045	AUD4207	2	Float Chamber Cover	
BG046	LWZ303	8	Spring Washer	
BG047	AUD3590	8	Screw	
BG048	WZX1101A	2	Needle Valve & Seat Kit	
BG049A	WZX1510	1	Float Assembly	(Front)
BG049B	WZX1509A	1	Float Assembly	(Rear)
BG050	CUD2082	1	Float Spindle	
BG051	AUC4127	1	Seal	
BG052	WZX1505A	1	Gasket Pack	

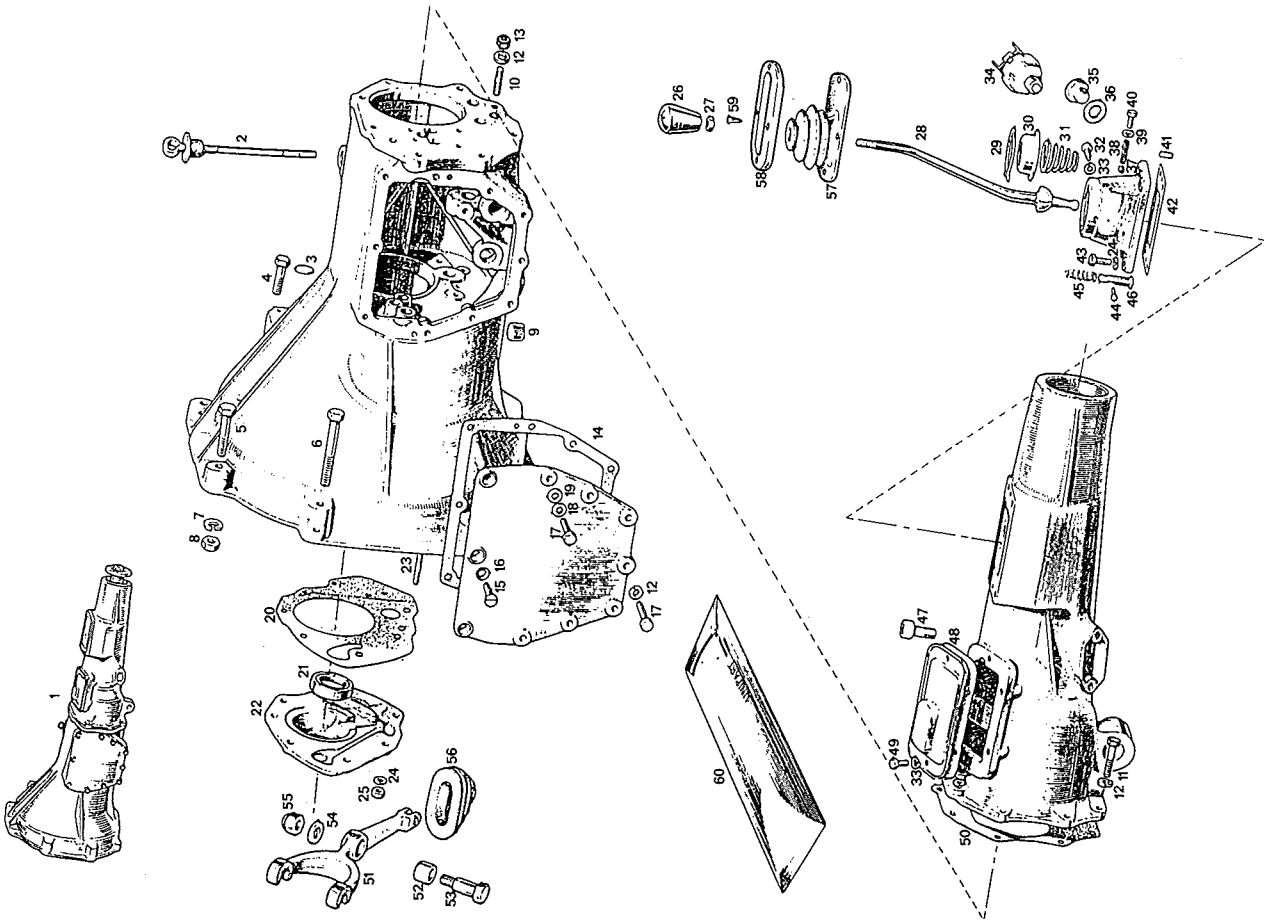


Section CA

3 Synchro Standard Gearbox & Covers ('62-'67)

No.	Part No.	Qty.	Description	Remarks
CA001A	22H211E	1	Gearbox Assembly ('62-'65)	18G-18GA
CA001B	22H841E	1	Gearbox Assembly ('65-'66)	18GB-18GB 74719
CA001C	22H538E	1	Gearbox Assembly ('66-On)	18GB-18GB 74720 On
CA002	1G3802	1	Gearbox Dipstick	
CA003	2K8158	1	Core Plug	
CA004	BH605101	1	Gearbox Mounting Bolt	Short
CA005	BH605151	2	Gearbox Mounting Bolt	Intermediate
CA006	BH605201	4	Gearbox Mounting Bolt	Long
CA007	GHF332	7	Washer Spring	
CA008	FNZ505	7	High Tensile Nut	
CA009	2K5830	1	Drain Plug	
CA010	CHS2513	2	Stud	
CA011	SH505101	6	Screw	UNC Thread
CA012	GHF332	8	Washer Spring	
CA013	GHF201	2	Nut	
CA014	1G3668	1	Sidecover Gasket	
CA015	53K162	3	Countersunk Screw	
CA016	6K9012	3	Shakeproof Washer	
CA017	53K147	7	Screw	
CA018	GHF301	1	Washer Flat	
CA019	2K4958	1	Washer, Fibre	
CA020	1G3666	1	Front Cover Gasket	
CA021	88G545	1	Front Oil Seal	
CA022	48G266	1	Front Cover	
CA023	53K2172	7	Front Cover Stud	
CA024	GHF332	11	Washer Spring	
CA025	GHF201	7	Nut	
CA026	1G3706	1	Gear Lever Knob	
CA027	FNZ205	1	Locknut	
CA028	22H152	1	Gear Lever	
CA029	1H3087	1	Circlip	
CA030	1G3927	1	Cover	
CA031	11G3144	1	Spring	
CA032	1H3101	2	Locating Screw	
CA033	GHF331	8	Washer Spring	
CA034	BAU1074A	1	Reverse Light Switch	
CA035	1H3026	1	Blanking Plug	
CA036	1B3664	1	Gasket	
CA037	BLS110	1	Ball	
CA038	22A75	1	Reverse Plunger Detent Spring	
CA039	GHF333	1	Washer Spring	
CA040	SH606031	1	Bolt	
CA041	AEG3101	2	Dowel	
CA042	1G3711	1	Gasket Remote	
CA043	53K143	4	Retaining Screw	
CA044	2A3378	1	Reverse Plunger Locating Pin	
CA045	1G3863	1	Spring	
CA046	1G3707	1	Reverse Plunger	
CA047	21H6060	1	Breather	
CA048	1G3810	1	Gasket Top Cover	
CA049	SH604051	6	Screw	
CA050	1G3712	1	Gasket Tailshaft	
CA051	22B56	1	Clutch Lever	
CA052	11G3195	1	Clutch Lever Bush	
CA053	11G3196	1	Clutch Lever Bolt	

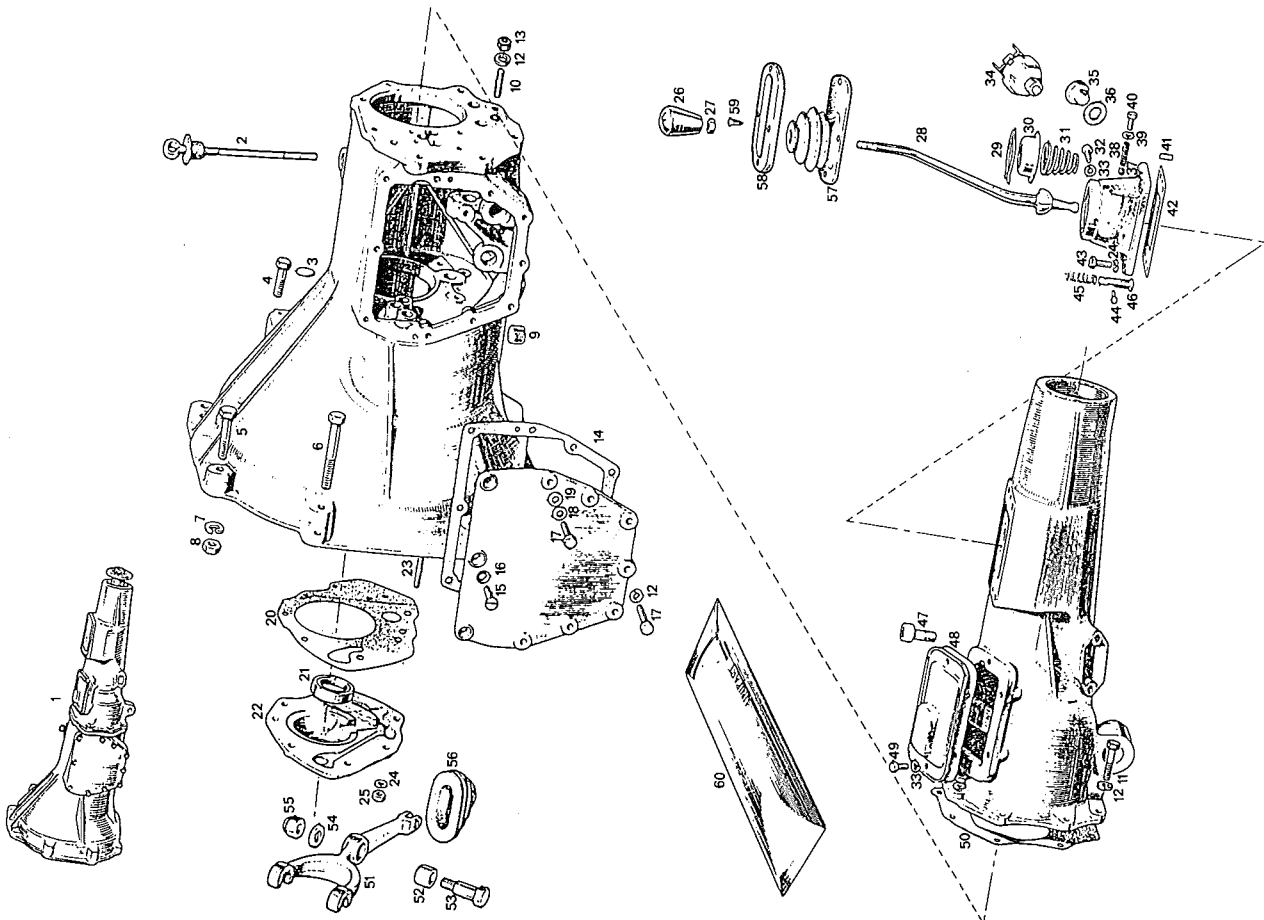
]} Fitted To Rear Screw



Section CA Continued

3 Synchro Standard Gearbox & Covers (62-67)

No.	Part No.	Qty.	Description	Remarks
CA054	12H2178	1	Washer Flat	
CA055	GHF223	1	Nyloc Nut	
CA056	22H1337	1	Clutch Lever Gaiter	
CA057	AHH7170	1	Gear Lever Gaiter	
CA058	AHH6486	1	Gaiter Retainer	
CA059	AD610063	4	Screw	
CA060	SGR00004	1	Gasket Set Gearbox Overhaul	

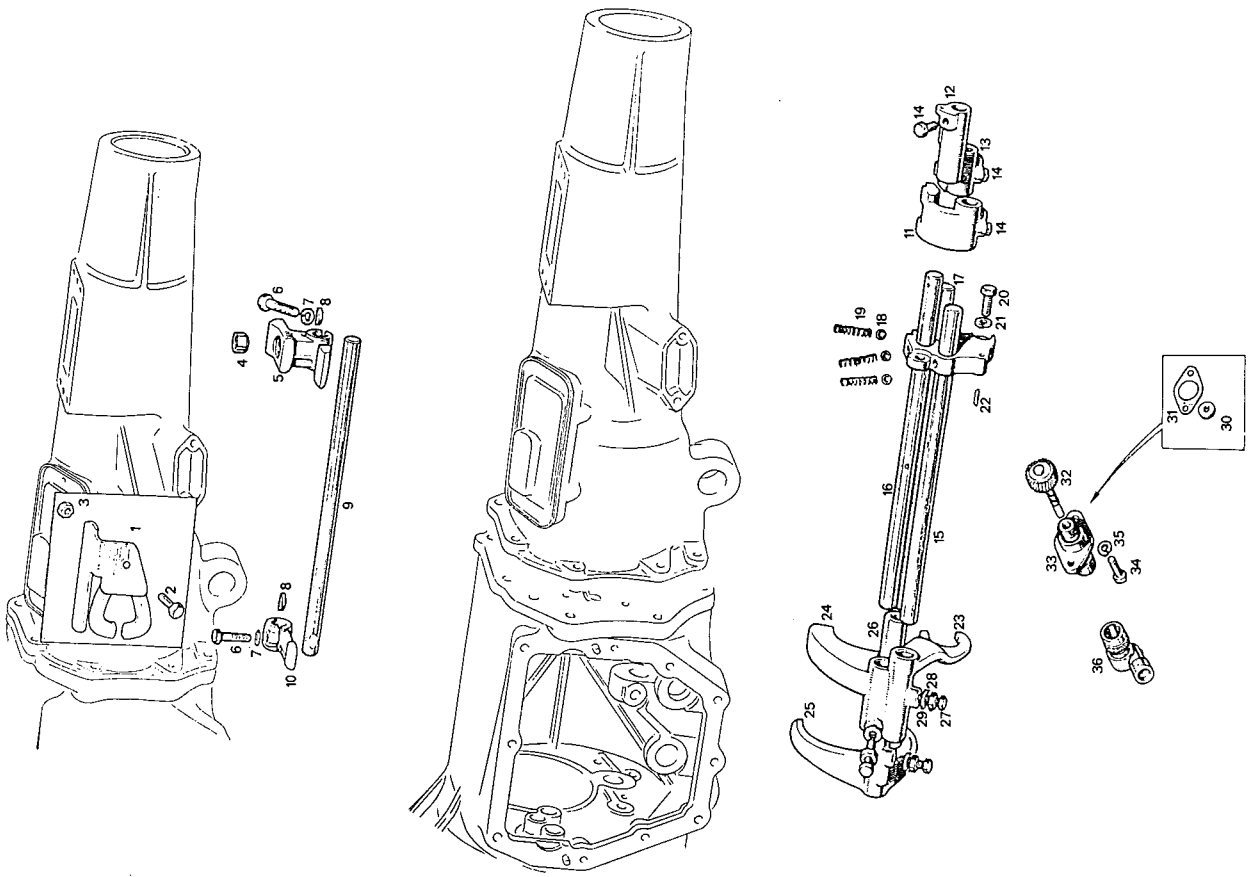


Section CB

3 Synchro Standard Gearbox Selectors (62-67)

No.	Part No.	Qty.	Description	Remarks
CB001	22H746	1	Interlock Arm	
CB002	GHF105	1	Locating Screw	
CB003	GHF202	1	Nut	
CB004	22H15	1	Gearlever Bush	
CB005	88G253	1	Selection Lever Rear Screw	
CB006	22H949	2	Washer Spring	
CB007	GHF332	2	Woodruff Key	
CB008	WKN404	2	Selector Shaft	
CB009	1H3368	1	Selector Lever Front	
CB010	88G254	1	Selector Reverse	
CB011	11G3131	1	Selector 1/2 Gear	
CB012	11G3132	1	Selector 3/4 Gear	
CB013	11G3133	1	Locating Screw	
CB014	1G3708	3	Selector Rod Reverse	
CB015	11G3137	1	Selector Rod 1/2	
CB016	11G3079	1	Selector Rod 3/4	
CB017	11G3140	1	Ball	
CB018	BLS110	3	Spring	
CB019	22A75	3	Block Locating Screw	
CB020	SH604071	2	Washer Spring	
CB021	GHF331	2	Locating Dowel	
CB022	AEG3108	2	Selector Fork Reverse	
CB023	11G3134	1	Selector Fork 1/2	
CB024	11G3135	1	Selector Fork 3/4	
CB025	1H3257	1	Selector Fork Distance Piece	
CB026	1H3258	1	Locating Screw	
CB027A	2A3141	3	Lock Nut	
CB028A	FNZ504	3	Lock Nut	
CB027B	2A3492	3	Locating Screw	
CB028B	FNZ604	3	Lock Nut	
CB029	GHF321	3	Washer, Star	
CB030	NKC105A	1	Pinion Seal	
CB031	22H903	1	Pinion Gasket	
CB032	22H1420	1	Pinion Speedo	
CB033	22H29	1	Pinion Bearing	
CB034	GHF117	2	Screw	
CB035	GHF321	2	Washer, Star	
CB036	120694	1	Speedo Angle Drive	

Replaced By
27B & 28B
Use Together



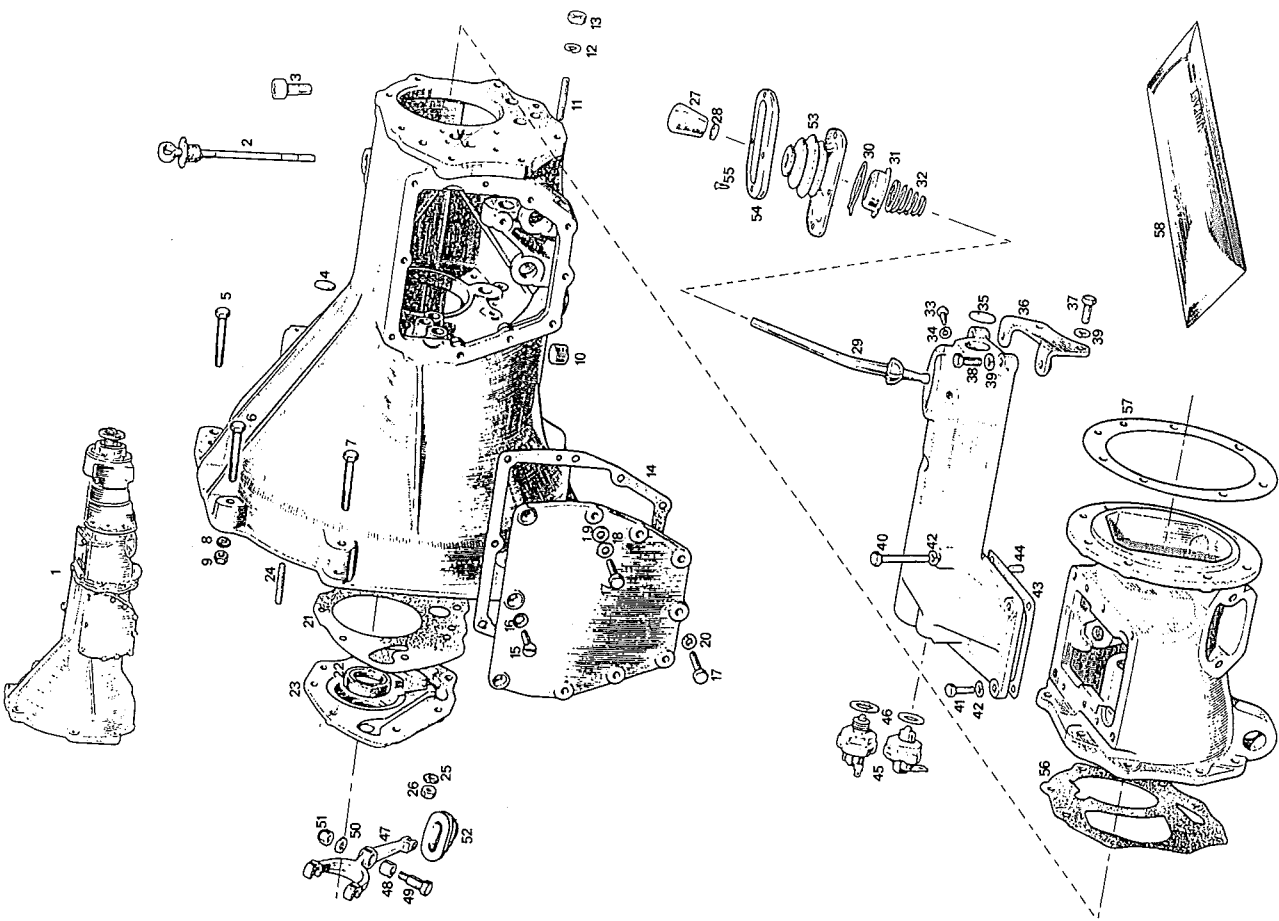
Section CC

3 Synchro Overdrive Gearbox Assembly (62-67)

No.	Part No.	Qty.	Description	Remarks
CC001A	22H209E	1	Gearbox Assembly (62-65)	18G-18GA
CC001B	22H842E	1	Gearbox Assembly (65-66)	18GB-18GB 74528
CC001C	22H539E	1	Gearbox Assembly (66-On)	18GB 74529 On
CC002	1G3802	1	Gearbox Dipstick	
CC003	21H6060	1	Gearbox Breather	
CC004	2K8158	1	Core Plug	
CC005	BH605101	1	Gearbox Mounting Bolt	Short
CC006	BH605151	2	Gearbox Mounting Bolt	Intermediate
CC007	BH605201	4	Gearbox Mounting Bolt	Long
CC008	GHF332	7	Washer, Spring	
CC009	FNZ505	7	High Tensile Nut	
CC010	2K5830	1	Drain Plug	
CC011	CHS2511	8	Stud	
CC012	GHF332	8	Washer Spring	
CC013	FNZ505	8	High Tensile Nut	
CC014	1G3658	1	Side Cover Gasket	
CC015	53K162	3	Countersunk Screw	
CC016	6K9012	3	Shakeproof Washer	
CC017	53K147	7	Screw	
CC018	GHF301	1	Washer Flat	
CC019	2K4958	1	Washer Fibre	
CC020	GHF332	6	Washer Spring	
CC021	1G3666	1	Front Cover Gasket	
CC022	88G545	1	Front Oil Seal	
CC023	48G266	1	Front Cover	
CC024	53K2172	7	Front Cover Stud	
CC025	GHF332	7	Washer, Spring	
CC026	GHF201	7	Nut	
CC027	1G3706	1	Gear Lever Knob	
CC028	FNZ205	1	Locknut	
CC029	22H251	1	Gear Lever	
CC030	1H3087	1	Circlip	
CC031	1G3927	1	Cover	
CC032	AEG3105	1	Spring	
CC033	1H3101	2	Locating Screw	
CC034	GHF331	2	Washer, Spring	
CC035	2K8158	2	Core Plug	
CC036	22H206	1	Bracket	
CC037	GHF117	2	Screw	
CC038	GHF101	2	Screw	
CC039	GHF331	4	Washer, Spring	
CC040	BH605201	2	Bolt, Long	
CC041	GHF163	4	Screw, Short	
CC042	GHF332	6	Washer, Spring	
CC043	22H168	1	Gasket Remote	
CC044	AEG3101	2	Dowel	
CC045	BAU1074A	1/2	Overdrive & Reverse Switch	Reverse Lights Fitted
CC046	1B3664	A/R	Gasket	From 18GBRUH 54406
CC047	22B56	1	Clutch Lever	

] Fitted to Rear Screw

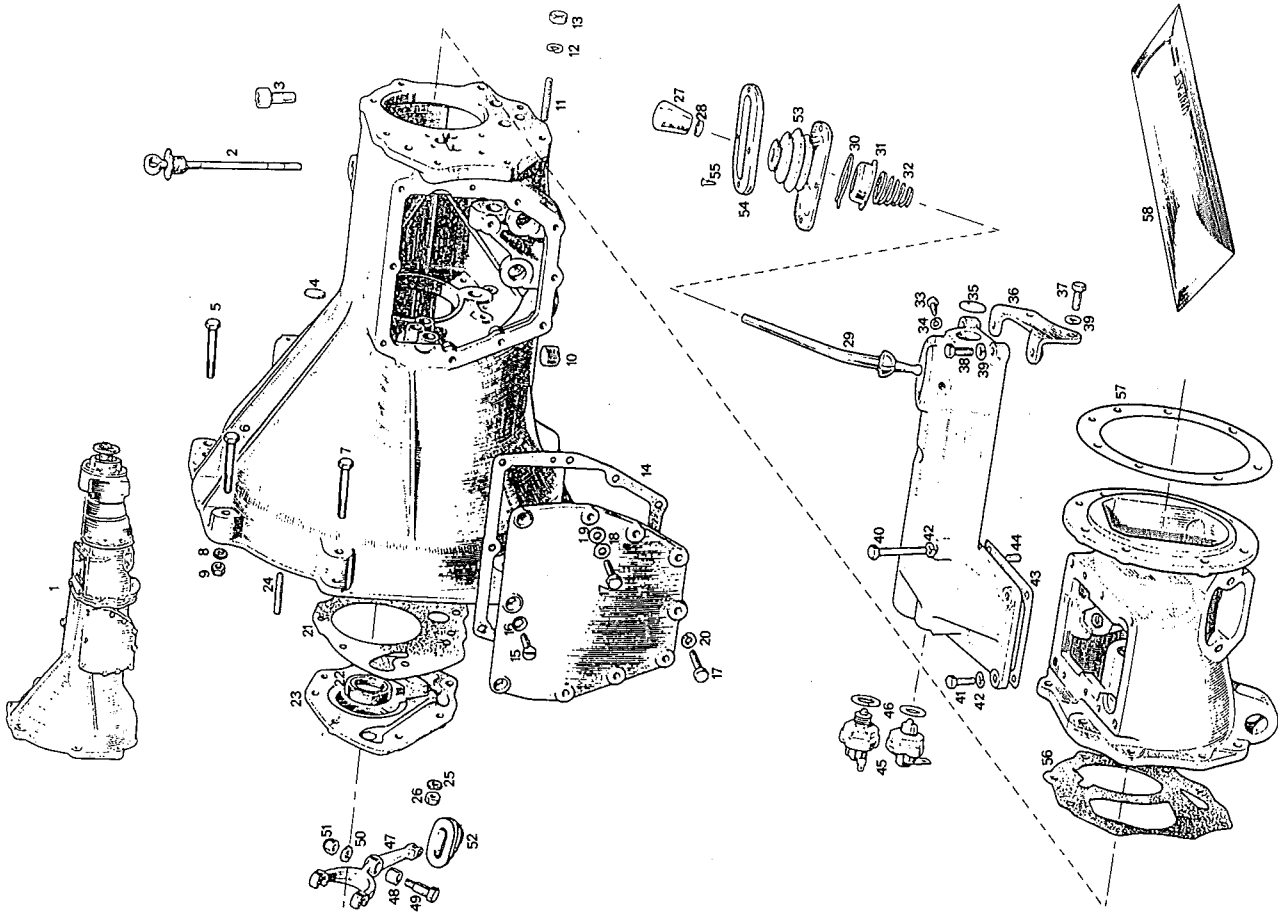
] Reverse Lights Fitted
From 18GBRUH 54406



Section CC Continued

3 Synchro Overdrive Gearbox Assembly ('62-'67)

No.	Part No.	Qty.	Description	Remarks
CC048	11G3195	1	Clutch Lever Bush	
CC049	11G3196	1	Clutch Lever Bolt	
CC050	12H2178	1	Washer, Flat	
CC051	GHF223	1	Nyloc Nut	
CC052	22H1337	1	Clutch Lever Gaiter	
CC053	AHH7170	1	Gear Lever Gaiter	
CC054	AHH6486	1	Gaiter Retainer	
CC055	AD610063	4	Screw	
CC056	1G3712	1	Gasket Rear Adaptor	
CC057	37H1901	1	Gasket Overdrive	
CC058	SGB0005	1	Gasket Set Gearbox	



Section CD

3 Synchro With Overdrive Selector Mechanism (62-67)

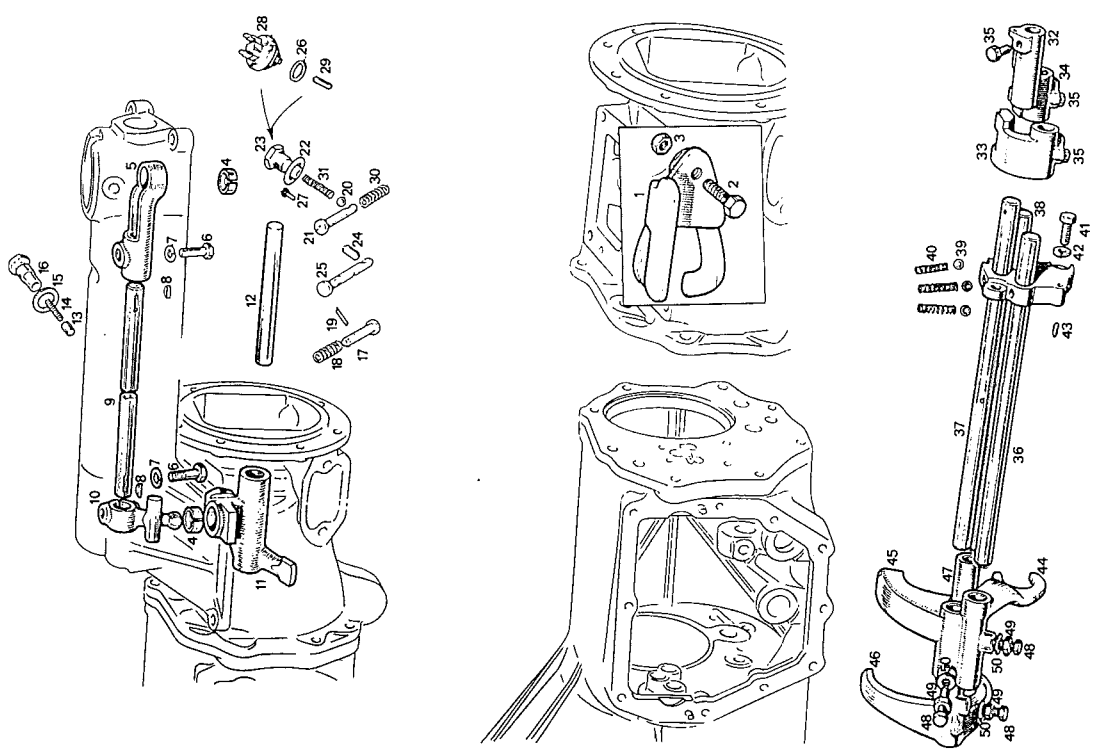
No.	Part No.	Qty.	Description	Remarks
CD001	22H158	1	Interlock Arm	
CD002	GHF105	1	Screw	
CD003	GHF202	1	Nut	
CD004	22H15	2	Selector Lever Bush	
CD005	22H252	1	Selector Lever Rear	
CD006	22H175	2	Lever Screw	
CD007	GHF332	2	Washer, Spring	
CD008	WKN404	2	Woodruff Key	
CD009	22H431	1	Selector Lever Shaft	
CD010	22H173	1	Selector Lever Front	
CD011	22H254	1	Selector Lever Intermediate	
CD012	22H255	1	Selector Lever Shaft	
CD013	22H176	1	Plunger	
CD014	22H177	1	Spring	
CD015	AEG3122	1	Washer	
CD016	22H178	1	Cap	
CD017	22H203	1	Plunger O/D Inhibitor	
CD018	22H204	1	Plunger Spring	
CD019	22H205	1	Locating Pin	
CD020	BLS110	1	Detent Ball	
CD021	22H163	1	Plunger Reverse Selector	
CD022	6K638	1	Sealing Washer	
CD023	22B594	1	Plug	
CD024	2A3108	1	Plunger Detent	
CD025	22H1031	1	Plunger Reverse Selector	
CD026	1B3664	1	Spacing Sealing Ring	
CD027	22H1033	1	Retaining Plug	
CD028	BAU1074A	1	Reverse Light Switch	
CD029	22H576	1	Reverse Plunger Peg	
CD030	1G3863	1	Plunger Spring	
CD031	22A75	1	Detent Spring	
CD032	11G3131	1	Selector Reverse	
CD033	11G3132	1	Selector 1/2	
CD034	11G3133	1	Selector 3/4	
CD035	1G3708	3	Locating Screw	
CD036	11G3137	1	Selector Rod Reverse	
CD037	11G3079	1	Selector Rod 1/2	
CD038	11G3140	1	Selector Rod 3/4	
CD039	BLS110	3	Ball	
CD040	22A75	3	Spring	
CD041	SH604071	2	Block Locating Screw	
CD042	GHF331	2	Washer Spring	
CD043	AEG3108	2	Locating Dowel	
CD044	11G3134	1	Selector Fork Reverse	
CD045	11G3135	1	Selector Fork 1/2	
CD046	1H3257	1	Selector Fork 3/4	
CD047	1H3258	1	Selector Fork Distance Piece	
CD048A	2A3141	3	Locating Screw	
CD049A	FNZ504	3	Lock Nut	
CD048B	2A3492	3	Locating Screw	
CD049B	FNZ604	3	Lock Nut	
CD050	GHF321	3	Washer, Star	

Up to 18GB RUH 54405
Without Reverse Light

18GB RUH 54406 On
With Reverse Lights

Replaced by
48B & 49B

Use Together



Section CE

3 Synchro Gearbox Internals ('62-'67)

Standard Models Only

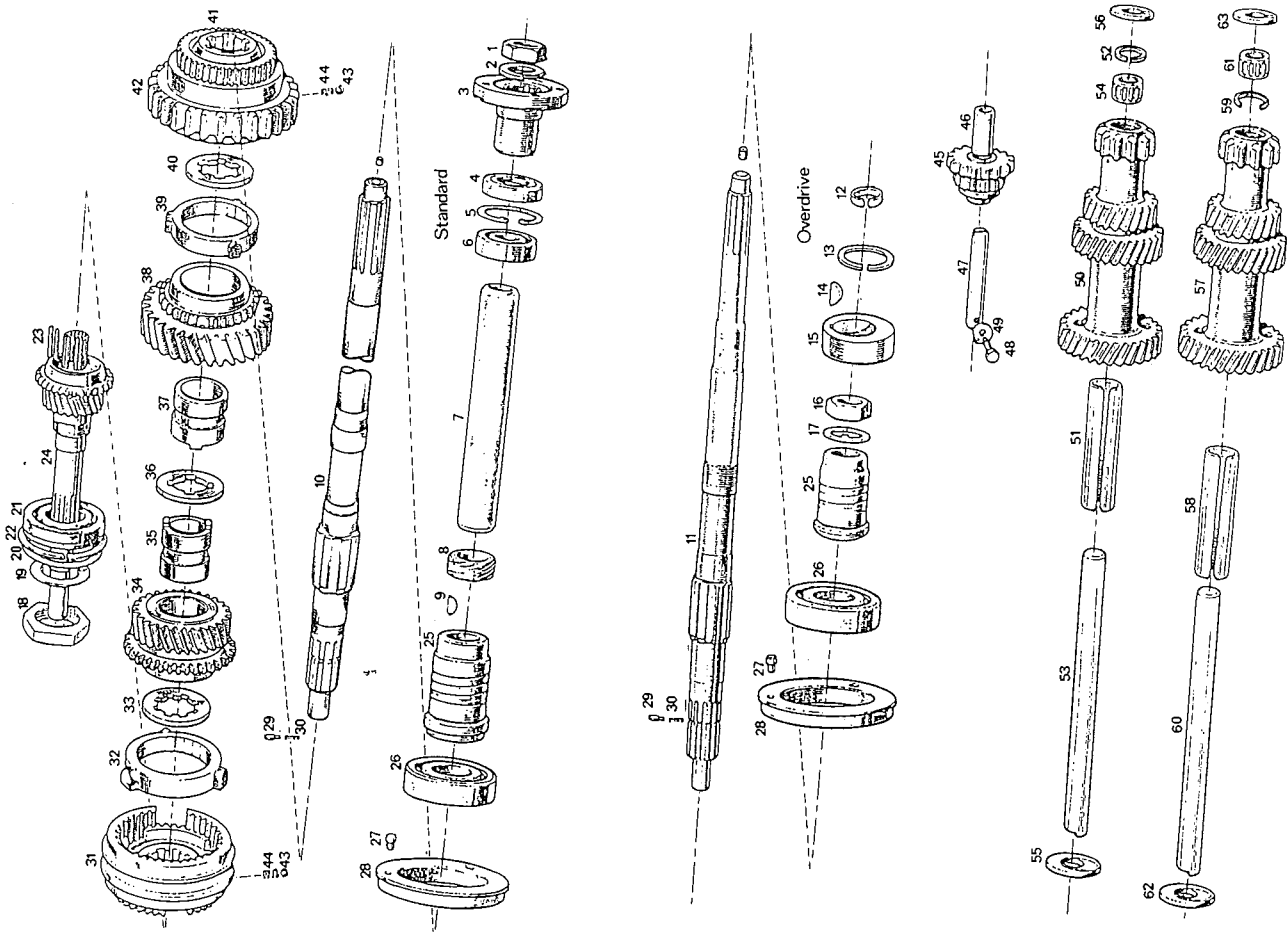
No.	Part No.	Qty.	Description	Remarks
CE001	FNZ512	1	Mainshaft Nut	
CE002	WL600121	1	Washer Spring	
CE003	1H3304	1	Flange	
CE004	1H3275	1	Rear Oil Seal	
CE005	CN240	1	Circlip	
CE006	6K529	1	Rear Bearing	
CE007	AH3242	1	Distance Tube	
CE008	1H3369	1	Speedometer Gear	
CE009	WKN304	1	Woodruff Key	
CE010	1H3277	1	Mainshaft	

Overdrive Models Only

CE011	22H226	1	Mainshaft	
CE012	22H193	1	Mainshaft Clip	
CE013	22H228	1	Spring Ring	
CE014	WKN304	1	Woodruff Key	
CE015	22H190	1	Pump Operating Cam	
CE016	11G3225	1	Distance Piece Nut	
CE017	11G3226	1	Lock Washer	

All Models

CE018	1G3584	1	Retaining Nut	Left Hand Thread
CE019	1A3717	1	Lock Washer	
CE020A	6K907	A/R	End Float Shim 0.002"	
CE020B	6K908	A/R	End Float Shim 0.004"	
CE021	6K885	1	Input Shaft Bearing	
CE022	6K886	1	Locating Spring Ring	
CE023	8G2404	18	Individual Roller	
CE024A	22H56	1	Input Shaft (0.62" Dia. Spigot)	('62-'64)
CE024B	22H843	1	Input Shaft (0.85" Dia. Spigot)	('65-'67)
CE025	11G3223	1	Distance Piece	
CE026	503791	1	Bearing Rear	
CE027	1G3530	1	Bearing Peg	
CE028	1G3586	1	Bearing Housing	
CE029	1G3268	1	Locating Peg	
CE030	2K8960	1	Locating Peg Spring	
CE031	48G438	1	3rd & 4th Synchronizer Assembly	
CE032	11G3022	2	3rd & 4th Baulk Ring	
CE033A	11G3127	1	Thrust Washer 0.157"	
CE033B	11G3128	1	Thrust Washer 0.159"	
CE033C	11G3129	1	Thrust Washer 0.161"	
CE034	1G3594	1	3rd Gear	
CE035	11G3029	1	3rd Gear Bush	
CE036	1G3331	1	Thrust Washer Interlock	
CE037	11G3028	1	2nd Gear Bush	
CE038A	11G3064	1	2nd Gear*	Up to 18GB 31002
CE039A	11G3063	1	2nd Gear Baulk Ring	*Use C E039B & 38B
CE038B	22H230	1	2nd Gear	
CE039B	22H249	1	2nd Gear Baulk Ring (Steel)	18GB 31003 On



Section CE Continued

3 Synchro Gearbox Internals (62-67)

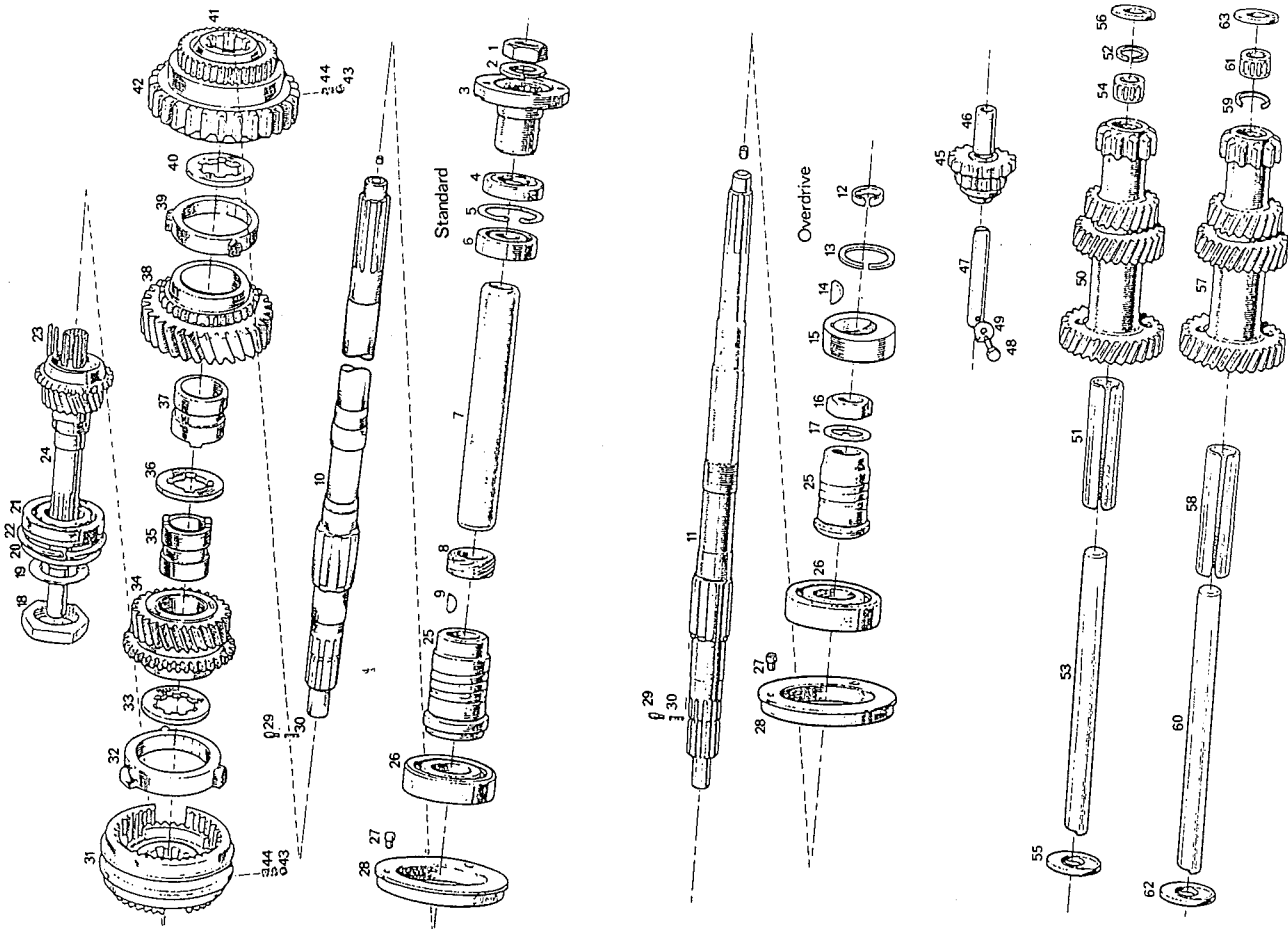
No.	Part No.	Qty.	Description	Remarks
CE040	1G3492	1	Thrust Washer 0.190"	
CE041	48G422	1	1st Gear With 2nd Gear Synchronizer	
CE042	48G422WO	1	1st Gear Outer Ring Only	
CE043	BLS109	6	Ball	
CE044	6K884	6	Spring	
CE045	22H83	1	Reverse Gear	
CE046	11G3092	1	Reverse Gear Bush	
CE047	88G258	1	Reverse Shaft	
CE048	1G3581	1	Locating Screw	
CE049	1B3363	1	Lock Washer	

Laygear Up to 18GB UH 74719 (Supported On 3 Bearings)

CE050	22H54	1	Laygear (22H54 Marking)	Front
CE051	11G3026	1	Spacer Tube	
CE052	11G3027	4	Circlip	Selective Rear
CE053	1H3305	1	Layshaft 0.643" Dia.	
CE054	AAU3052	3	Needle Roller Bearing	
CE055	1G3576	1	Thrust Washer 0.154-6"	
CE056A	1G3577	1	Thrust Washer 0.154-6"	
CE056B	1G3578	1	Thrust Washer 0.157-8"	
CE056C	1G3579	1	Thrust Washer 0.160-1"	
CE056D	1G3580	1	Thrust Washer 0.163-4"	

Laygear From 18GB UH 74720 (Supported On 4 Bearings)

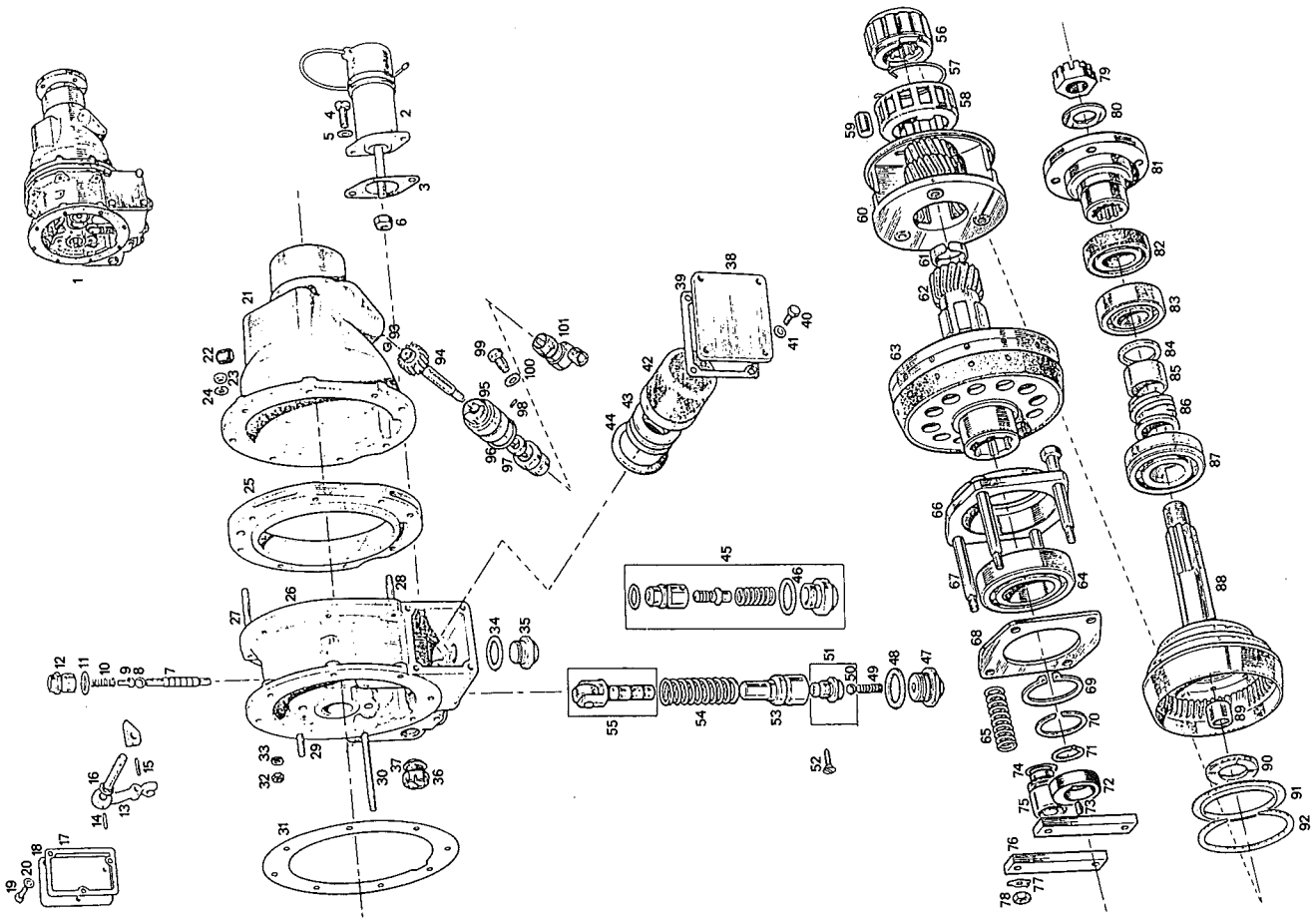
CE057A	22H931	1	Laygear (22H931 Marking)	(NLA Use 57B, 58B & 59) Fits 57A Only
CE058A	22H672	1	Spacer Tube	
CE057B	22H1301	1	Replacement Laygear (22H1301 Marking)	Fits 57B Only Fits 57A Only
CE058B	22H1282	1	Spacer Tube	
CE059	11G3027	1	Circlip	
CE060	88G400	1	Layshaft 0.668" Dia.	Front
CE061	22H471	4	Layshaft Bearing	
CE062	22H466	1	Thrust Washer 0.154-6"	Selective Rear
CE063A	22H467	1	Thrust Washer 0.154-6"	
CE063B	22H468	1	Thrust Washer 0.157-9"	
CE063C	22H469	1	Thrust Washer 0.160-1"	
CE063D	22H470	1	Thrust Washer 0.163-4"	



Section CF

3 Synchro Overdrive Assembly ('62-'67)

No.	Part No.	Qty.	Description	Remarks
CF001	22H210E	1	Overdrive Assembly	
CF002	010002	1	Overdrive Solenoid	
CF003	7H8196	1	Gasket	
CF004	UFS1194R	2	Screw	
CF005	WF702101	2	Washer Spring	
CF006	NZ604041	1	Adjusting Nut	
CF007	17H8070	1	Operating Valve	
CF008	BLS109	1	Plunger Ball	
CF009	500591	1	Plunger	
CF010	007972	1	Plunger Spring	
CF011	500568	1	Washer	
CF012	506117	1	Plug	
CF013	7H8184	1	Lever Assembly	
CF014	17H8035	1	Locating Pin Lever	
CF015	17H8036	1	Locating Pin Cam	
CF016	500594	1	'O' Ring Seal	
CF017	513204	1	Side Gasket	
CF018	7H8195	1	Side Plate	
CF019	UFS1194R	3	Screw	
CF020	WF702101	3	Washer Spring	
CF021	17H8019	1	Rear Case Assembly	
CF022	502560	1	Breather	
CF023	GHF200	8	Rear Case Retaining Nut	
CF024	17H5673	8	Washer Spring	
CF025	7H8310	1	Brake Ring	
CF026	17H8018	1	Main Casing	
CF027	7H8284	6	Main Case To Rear Housing Stud	
CF028	7H8296	2	Main Case To Rear Housing Stud	
CF029	7H8285	7	Main Case To Adaptor Stud	
CF030	17H8022	1	Main Case To Adaptor Stud	
CF031	37H1901	1	Gasket (O/D To Extension)	
CF032	FNZ504	8	Retaining Nut	
CF033	GHF331	8	Washer Spring	
CF034	506118A	1	Drain Plug Washer	
CF035	7H8303	1	Drain Plug	
CF036	27H2984	1	End Plug	
CF037	AUC4900A	1	End Plug Washer	
CF038	7H8292	1	Filter Cover	
CF039	506098	1	Filter Cover Gasket	
CF040	GHF117	4	Screw	
CF041	GHF321	4	Washer, Star	
CF042	7H8197	1	Filter	
CF043	513205	1	Magnet Set	
CF044	7H8299	1	Sealing Plate	
CF045	7H8191	1	Relief Valve Kit	
CF046	7H8314	1	Sealing Ring	
CF047	513206	1	Non Return Valve Plug	
CF048	506118A	2	Sealing Washer	
CF049	37H2557	1	Spring	
CF050	BLS107	1	Ball	

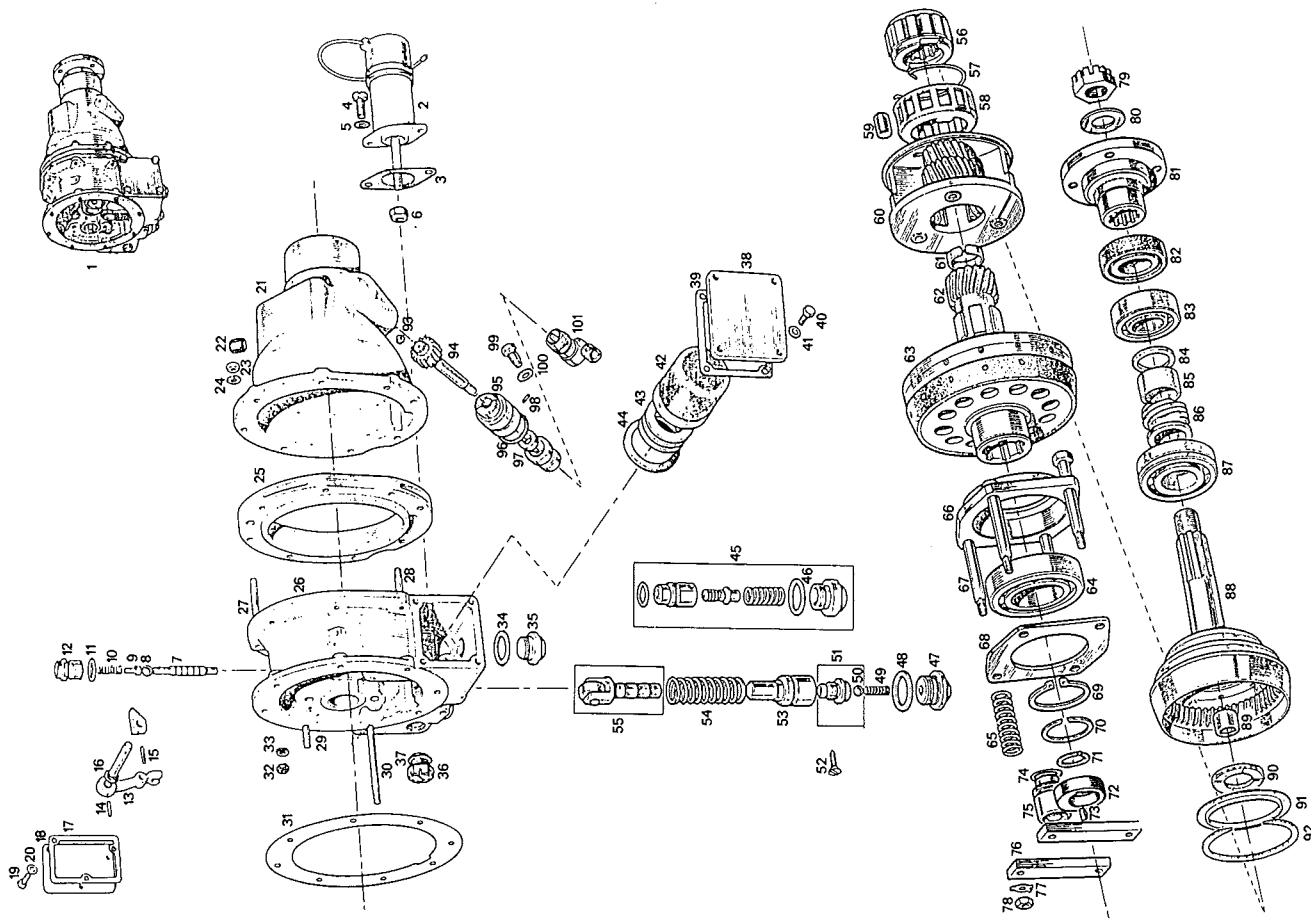


Section CF Continued

3 Synchro Overdrive Assembly (62-67)

No.	Part No.	Description	Qty.	Remarks
CF051	37H2693	Non Return Valve Assembly	1	
CF052	7H8282	Retaining Screw	1	
CF053	7H8287	Plunger Body	1	
CF054	500633	Plunger Spring	1	
CF055	513196	Clutch Centre	1	
CF056	7H8274	Clutch Retaining Spring	1	
CF057	513208	Clutch Cage	1	
CF058	012610	Clutch Roller Set	1	
CF059	506063A	Planet Carrier Assembly	1	
CF060	17H8014	Spring Ring	1	
CF061	22H193	Sun Wheel	1	
CF062	506044	Sliding Member Assembly	1	
CF063	513200	Bearing Front	1	
CF064	7H8301	Clutch Spring Set	1	
CF065	17H8016	Bearing Housing Bolt	1	
CF066	7H8283	Bearing Housing	4	
CF067	7H8198	Base Plate	1	
CF068	7H8297	Circlip	1	
CF069	7H8323	Ring Snap	1	
CF070	506091	Ring Spring	1	
CF071	22H228	Pump Cam	1	
CF072	22H190	Woodruff Key	1	
CF073	WKN304	Operating Piston Seal	2	
CF074	TRS1114	Operating Piston	2	
CF075	7H8290	Bridge Bar	2	
CF076	7H8286	Lock Tab	4	
CF077	7H8863	Nut	4	
CF078	GHF200	Nut	1	
CF079	17H8695	Washer	1	
CF080	WP24	Drive Flange	1	
CF081	22H189	Drive Flange Oil Seal	1	
CF082	7H8325	Annulus Bearing Rear	1	
CF083	533360A	Spacer Washer 0.105"	1	
CF084A	17H8024	Spacer Washer 0.100"	1	
CF084B	17H8025	Spacer Washer 0.095"	1	
CF084C	17H8026	Spacer Washer 0.090"	1	
CF084D	17H8027	Spacer Washer 0.085"	1	
CF084E	27H2893	Spacer Tube	1	
CF085	17H8020	Speedometer Drive Gear	1	
CF086	7H8294	Annulus Bearing Front	1	
CF087	134465	Annulus	1	
CF088	7H8194	Annulus Bearing Inner	1	
CF089	506113	Washer, Thrust	1	
CF090	500613A	Washer, Retaining	1	
CF091	010857	Spring Ring	1	
CF092	NKC77A	Pinion Thrust Button	1	
CF093	7H8288	Pinion	1	
CF094	17H8021	Pinion Bearing	1	
CF095	17H8012	Pinion 'O' Ring Seal	1	
CF096	506115	Pinion Oil Seal	1	
CF097	17H8806	Locating Pin	1	
CF098	17H8034	Locking Screw	1	
CF099	7H5894	Washer	1	
CF100	17H5834	Pinion Angle Drive	1	
CF101	120694		1	

Selective



Section CG

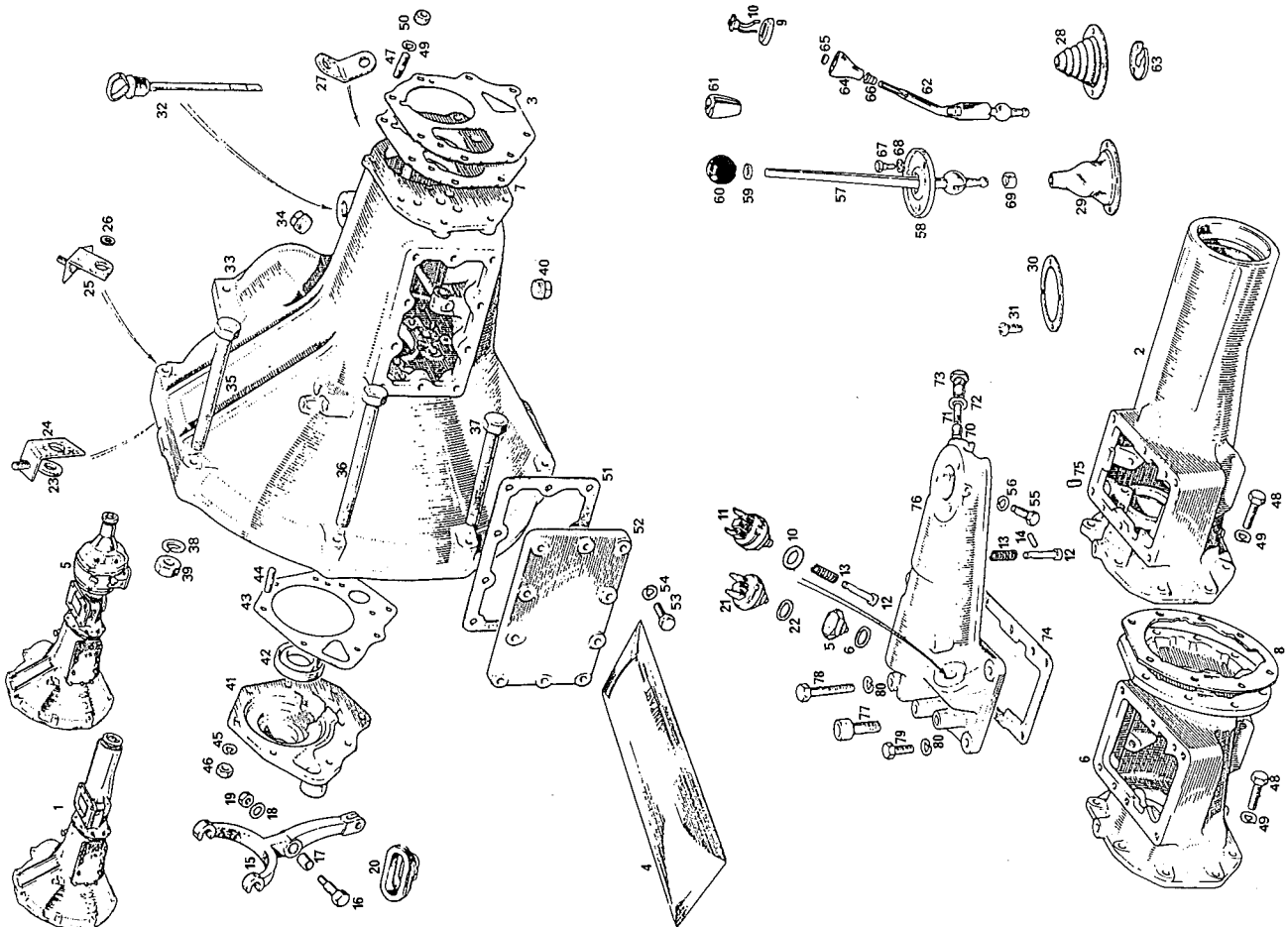
4 Synchro Gearbox Assembly ('67-On)

Standard (Gearbox) Only

No.	Part No.	Qty.	Description	Remarks
CG001	22H1053E	1	Gearbox Assembly	
CG002	22B368	1	Rear Housing	(67-On) Chrome Bumper
CG003	22B371	1	Rear Housing Gasket	
CG004A	8G2539	1	Gearbox Gasket Set	
Overdrive Gearbox Only				
CG004B	8G2540	1	Gearbox Gasket Set	
CG005A	22H1052E	1	Gearbox Assembly	(67-74) Chrome Bumper
CG005B	GG117E	1	Gearbox Assembly	(74-On) Rubber Bumper
CG006	22B589	1	Adaptor Housing	
CG007	22B404	1	Gasket Adaptor to Gearbox	
CG008	37H1901	1	Gasket Adaptor To O/D	
CG009	AAU8099A	1	Gear Lever Knob Top	
CG010	520999A	1	Gear Lever O/D Switch	
CG011	BAU1074A	1/2	Inhibitor Switch	[GHNS 410001 On ('76-On)
CG012	22B406	1	Plunger	
CG013	22B204	1	Plunger Spring	
CG014	22H576	1	Plunger Locating Pin	
CG015	22H1056	1	Clutch Withdrawal Lever	
CG016	11G3196	1	Pivot Bolt	
CG017	11G3195	1	Bush	
CG018	12H2178	1	Flat Washer	
CG019	GHF223	1	Nyloc Nut	(67-74)
CG020A	22H1337	1	Clutch Fork Gaiter	(75-On)
CG020B	22H1693	1	Clutch Fork Gaiter	

All Models

CG021	BAU1074A	1	Reverse Light Switch	
CG022	1B3664	A/R	Spacing Sealing Ring	
CG023	22H1302	1	Spacer	
CG024	22H1303	1	Bracket	
CG025	22B512	1	Bracket	By Starter Motor
CG026	GHF301	1	Washer Flat	
CG027	AHC579	1	Bracket On Extension RH	
CG028	BHH2049	1	Gear Lever Grommet	(67-70)
CG029	BHH2072	1	Gear Lever Grommet	(71-On)
CG030A	AHC187	1	Bezel Chrome	(67-76)
CG030B	BHH1986	1	Bezel Black	(76-On)
CG031A	SG604083	34/1	Chrome Screw Short	Front Only When Console Fitted (72-On)
CG031B	SG604103	3	Chrome Screw Long	
CG032	22B549	1	Dipstick	
CG033A	22H1054	1	Gearbox Casing	Chrome Bumper ('67-74)
CG033B	22H1463	1	Gearbox Casing	Rubber Bumper ('75-On)
CG034	2K5830	1	Filler Plug	



Section CG Continued

4 Synchro Gearbox Assembly ('67-On)

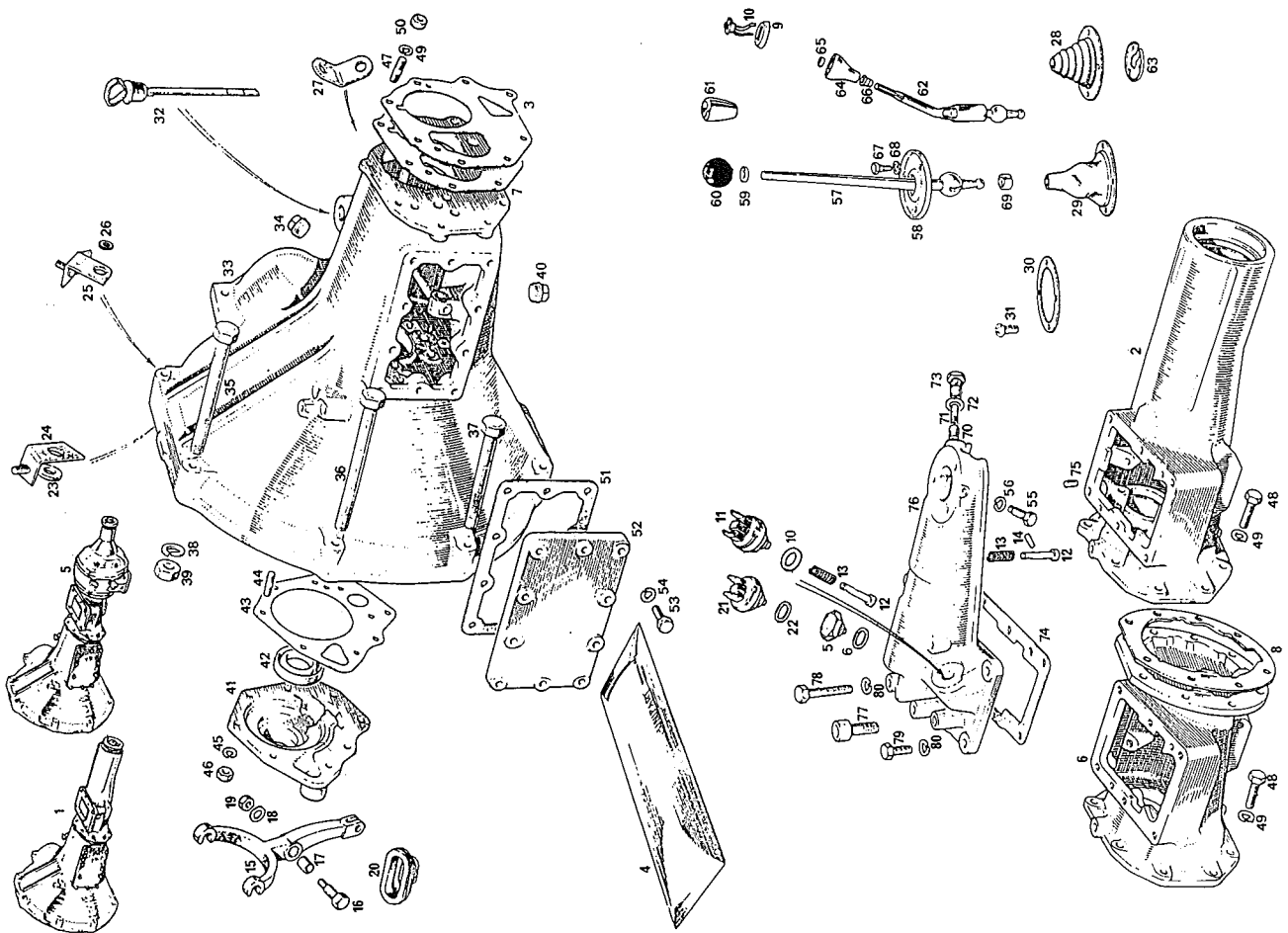
No.	Part No.	Qty.	Description	Remarks
CG035	BH605261	2	Gearbox To Backplate Bolt	
CG036	BH605241	1	Gearbox To Backplate Bolt	Long
CG037	BH605221	4	Gearbox To Backplate Bolt	Intermediate
CG038	GHF332	7	Washer Spring	
CG039	FNZ505	7	High Tensile Nut	
CG040	2K5830	1	Drain Plug	
CG041	22H1055	1	Front Cover	
CG042	88G545	1	Front Cover Oil Seal	
CG043	22B385	1	Front Cover Gasket	
CG044	CHS2511	8	Front Cover Stud	
CG045	GHF332	8	Washer Spring	
CG046	GHF201	8	Nut	
CG047	CHS2512	3	Stud	
CG048	SH505101	5	Coarse Screw	
CG049	GHF332	8	Washer Spring	
CG050	GHF201	3	Nut	
CG051	22B319	1	Side Cover Gasket	
CG052	22B309	1	Side Cover	
CG053	53K147	10	Screw	
CG054	GHF332	10	Washer Spring	
CG055	1H3101	2/1	Locating Screw	
CG056	GHF331	2/1	Washer Spring	
CG057	22B419	1	Gear Lever Straight	
CG058	22B524	1	Gear Lever Retainer	
CG059	54K1723	1	Gear Lever Nut	
CG060	1B3736	1	Gear Lever Knob	
CG061	BHH788	1	Gear Lever Knob	
CG062	DAM3079	1	Gear Lever Cranked	
CG063	DAM2576	1	Gear lever Retainer	
CG064	DAM2174	1	Gear Lever Knob	
CG065	C30505A	1	Gear Lever Nut	
CG066	C30623	1	Gear Lever Ferrule	
CG067	22B525	3	Shouldered Bolt	
CG068	2K2545	3	Washer Spring	
CG069	22H15	1	Gear Lever Bush	
CG070	22A84	1	Anti Rattle Plunger	
CG071	AEG3123	1	Anti Rattle Spring	
CG072	AEG3122	1	Sealing Washer	
CG073	22A85	1	Retaining Plug	
CG074	22B372	1	Remote Housing Gasket	
CG075	AEG3103	2	Remote Housing Dowel	
CG076	22B522	1	Remote Housing	
CG077	21H6060	1	Breather	
CG078	BH505181	4	Coarse Bolt	
CG079	GHF163	2	Coarse Screw	
CG080	GHF332	6	Washer Spring	

Qty Reduced GHN5 410001 On ('76-On)

Qty Reduced GHN5 410001 On ('67-'76)

Round ('67-'72)
Cylindrical ('72-'76)

GHN5 410001 On ('76-On)

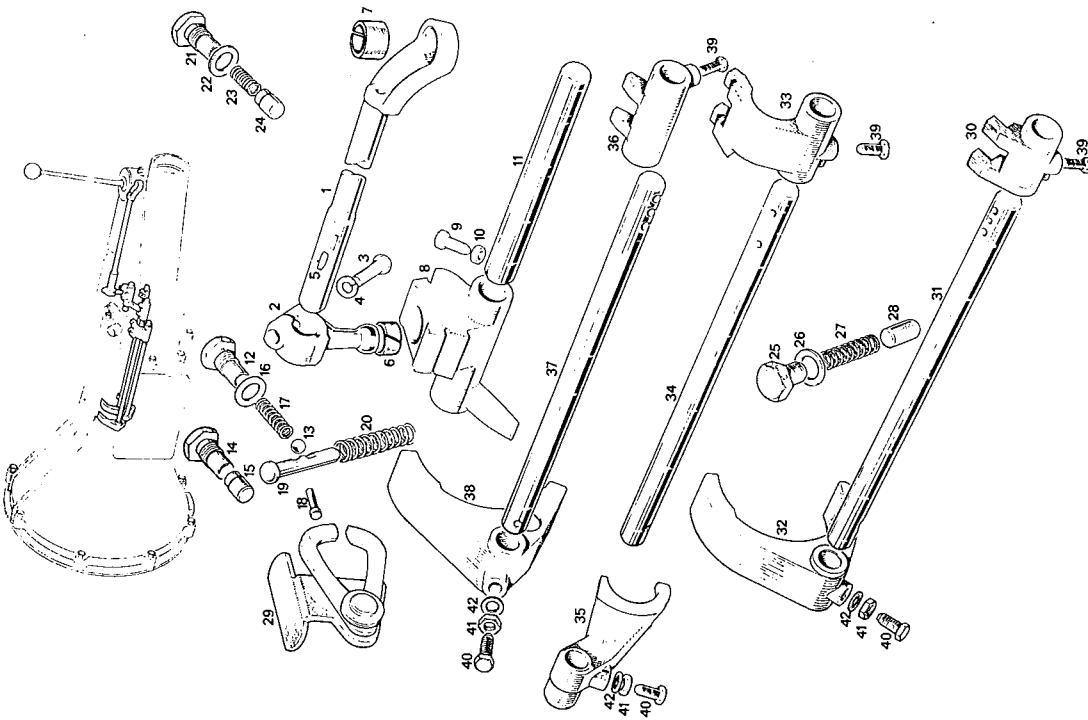


Section CH

4 Synchro Gearbox Selectors ('67-On)

No.	Part No.	Qty.	Description	Remarks
CH001	22B416	1	Remote Control Shaft	
CH002	88G465	1	Remote Control Lever	
CH003	22B418	1	Locking Bolt	
CH004	GHF332	1	Washer Spring	
CH005	WKN404	1	Woodruff Key	
CH006	22B295	1	Selector Bush Front	
CH007	22H15	1	Selector Bush Rear	
CH008	22B386	1	Selector Lever	
CH009	SH604111	1	Locating Screw	
CH010	FNZ604	1	Locknut	
CH011	22B390	1	Selector Lever Shaft	
CH012	22B594	1	Retaining Plug	
CH013	BLS110	1	Detent Ball	
CH014	22B612	1	Retaining Plug	
CH015	22B614	1	Detent Plunger	
CH016	6K638	1	Washer	
CH017	22A75	1	Spring	
CH018	22H576	1	Locating Pin	
CH019	22B396	1	Reverse Selector Plunger	
CH020	1G3863	1	Reverse Selector Spring	
CH021	22A85	1	Retaining Cap	
CH022	AEG3122	1	Sealing Washer	
CH023	AEG3123	1	Dampening Spring	
CH024	22A84	1	Dampening Plunger	
CH025	6K643	3	Retaining Plug	
CH026	2K4956	3	Sealing Washer	
CH027	22G327	3	Detent Spring	
CH028	22B408	3	Fork Rod Plunger	
CH029	22B591	1	Interlocking Arm	
CH030	22B380	1	3rd & 4th Selector	
CH031	22B377	1	3rd & 4th Selector Rod	
CH032	22B285	1	3rd & 4th Fork	
CH033	22B378	1	Reverse Selector	
CH034	22B376	1	Reverse Selector Rod	
CH035	22B283	1	Reverse Fork	
CH036	22B379	1	1st & 2nd Selector	
CH037	22B375	1	1st & 2nd Selector Rod	
CH038	22B284	1	1st & 2nd Fork	
CH039	1G3708	3	Locating Screw Rear	
CH040	2A3492	3	Locating Screw Front	
CH041	FNZ604	3	Locking Nut	
CH042	GHF321	3	Shakeproof Washer	

18 GD Only
(67-'68)
18 GH on
(68-On)



Section CI

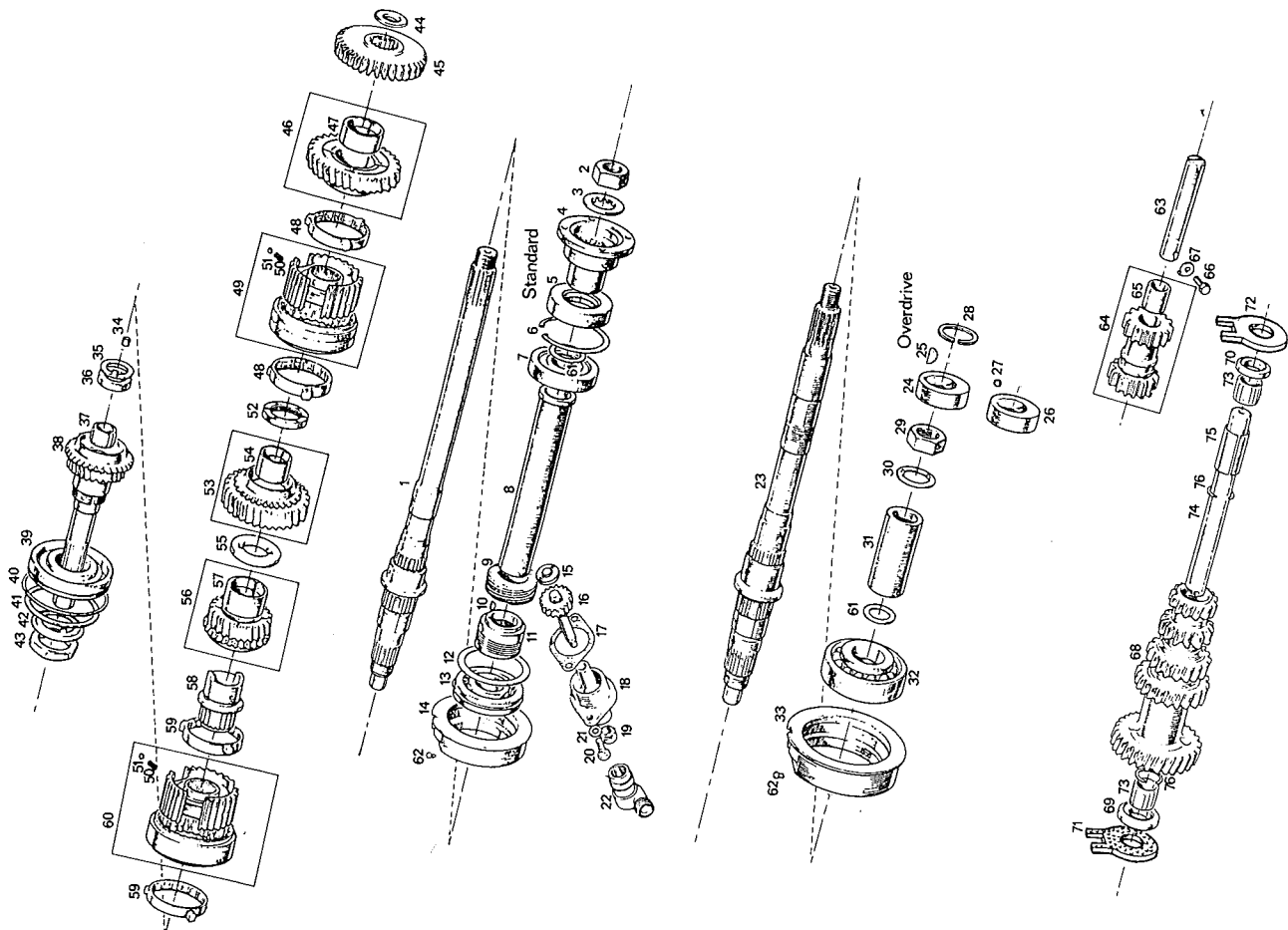
(67-On) 4 Synchro Gearbox Internals

Standard (Gearbox) Only

No.	Part No.	Qty.	Description	Remarks	
CI001	22B373	1	3rd Motion Shaft	(Main Shaft)	
CI002	22B269	1	Mainshaft Nut		
CI003	22B270	1	Lockwasher] Selective	
CI004	22H1106	1	Drive Flange		
CI005	13H9213	1	Drive Flange Oil Seal		
CI006A	22B299	1	Circlip 0.096"-0.098"		
CI006B	22B300	1	Circlip 0.098"-0.100"		
CI006C	22B463	1	Circlip 0.100"-0.102"		
CI007	503791	1	Rear Extension Bearing		
CI008	22H1285	1	Distance Tube		
CI009A	22B468	1	Speedo Gear (Metal) 10 Teeth] Chrome Bumper
CI009B	22B649	1	Speedo Gear (Plastic) 10 Teeth		
CI009C	DAM686	1	Speedo Gear (Black) 9 Teeth] Rubber Bumper	
CI010	WKN304	1	Speedo Gear Woodruff Key		
CI011	22B467	1	Speedo Gear Spacer] Selective	
CI012A	22B317	A/R	Shim 0.002"		
CI012B	22B318	A/R	Shim 0.005"] Chrome Bumper] Rubber Bumper	
CI013	22B313	1	Main Bearing		
CI014	22B551	1	Main Bearing Housing		
CI015	1A3073	1	Speedo Pinion Thrust		
CI016A	22B654	1	Speedo Pinion 26 Teeth		
CI016B	DAM687	1	Speedo Pinion		
CI017	22H903	1	Speedo Pinion Gasket		
CI018	22H29	1	Speedo Pinion Bush		
CI019	CHM1	1	Oil Seal		
CI020	GHF117	2	Screw		
CI021	GHF321	2	Shakeproof Washer] Selective	
CI022	120694	1	Angle Drive		

Overdrive Gearbox

CI023A	22B423	1	3rd Motion Shaft] With Keyway Type] Pump Cam] (Early Spec)] 22B423 NLA—Use 8G3032
CI024	37H1909	1	Oil Pump Cam	
CI025	37H1910	1	Woodruff Key	
CI023B	8G3032	1	3rd Motion Shaft] With Ball Located] Pump Cam] (Late Spec)
CI026	22B611	1	Oil Pump Cam	
CI027	BLS106	1	Locating Ball] Chrome Bumper] Rubber Bumper
CI028	37H1911	1	Circlip	
CI029	22B515	1	Main Shaft Nut	
CI030	22B516	1	Lockwasher	
CI031	22B425	1	Distance Piece	
CI032	22H283	1	Main Bearing	
CI033	22B588	1	Main Bearing Housing	



Section CI Continued

(67-On) 4 Synchro Gearbox Internals

All Models

No.	Part No.	Qty.	Description	Remarks
CI034	1A1964	1	Oil Restrictor	
CI035	22H773	1	Lock Washer	
CI036	22H772	1	Mainshaft Nut	
CI037	22H774	1	Needle Roller 1st/3rd	
CI038	22B556	1	Input Shaft	
CI039	6K830	1	Input Shaft Bearing	
CI040	6K780	1	Spring Ring	
CI041A	6K778	A/R	Shim 0.002"	Selective
CI041B	6K779	A/R	Shim 0.005"	
CI042	22H798	1	Lock Washer	
CI043	22B356	1	Retaining Nut	Left Hand Thread
CI044A	DAM2147	1	Spacer Shim 0.115"	Selective
CI044B	DAM1742	1	Spacer Shim 0.118"	
CI045	DAM1740	1	Reverse Gear	
CI046	DAM6226	1	1st Gear With Bush	
CI047	22H281	1	1st Gear Bush	
CI048	22H1028	2	1st & 2nd Gear Baulk Ring	
CI049	DAM4104	1	1st & 2nd Gear Synchroniser Assy	
CI050	22H827	6	Synchroniser Spring	
CI051	BLS109	6	Synchroniser Ball	
CI052	22H276	1	2nd Gear Thrust Washer	
CI053	DAM6228	1	2nd Gear With Bush	
CI054	22H274	1	2nd Gear Bush	
CI055	22H1034	1	Interlocking Washer	
CI056	DAM6230A	1	3rd Gear With Bush	
CI057	22H281	1	3rd Gear Bush	
CI058	22H1062	1	Mainshaft Sleeve	
CI059	22H1028	2	3rd & 4th Gear Baulk Ring	
CI060	22H1168	1	3rd & 4th Gear Synchroniser Assy	
CI061A	22B464	A/R	Shim 0.002"	Selective
CI061B	22B465	A/R	Shim 0.005"	
CI061C	22B466	A/R	Shim 0.010"	
CI062	22B552	1	Peg	
CI063	88G467	1	Reverse Shaft	
CI064	22H308	1	Reverse Gear With Bush	
CI065	22H310	1	Reverse Gear Bush	
CI066	1G3581	1	Locking Screw	
CI067	1B3363	1	Locktab	
CI068	22B557	1	Laygear	
CI069	22B301	1	Thrust Washer 0.154-6"	Front
CI070A	22B302	1	Thrust Washer 0.154-6"	Selective Rear
CI070B	22B303	1	Thrust Washer 0.157-8"	Chrome Bumper Only
CI070C	22B304	1	Thrust Washer 0.160-1"	(67-74)
CI070D	22B305	1	Thrust Washer 0.163-4"	

Section CI Continued

(67-On) 4 Synchro Gearbox Internals

No.	Part No.	Qty.	Description	Remarks
CI071	22B691	1	Thrust Washer 0.123-5"	Front
CI072A	22B692	1	Thrust Washer 0.133-5"	
CI072B	22B693	1	Thrust Washer 0.130-2"	Selective Rear
CI072C	22B694	1	Thrust Washer 0.126-8"	Rubber Bumper Only
CI072D	22B695	1	Thrust Washer 0.123-5"	(74 On)
CI072E	22B696	1	Thrust Washer 0.120-2"	
CI073	AHU1041A	2	Layshaft Needle Roller	
CI074	22B280	1	Layshaft	
CI075	22H478	1	Layshaft Distance Tube	
CI076	22H477	2	Spring Ring	

Section CJ

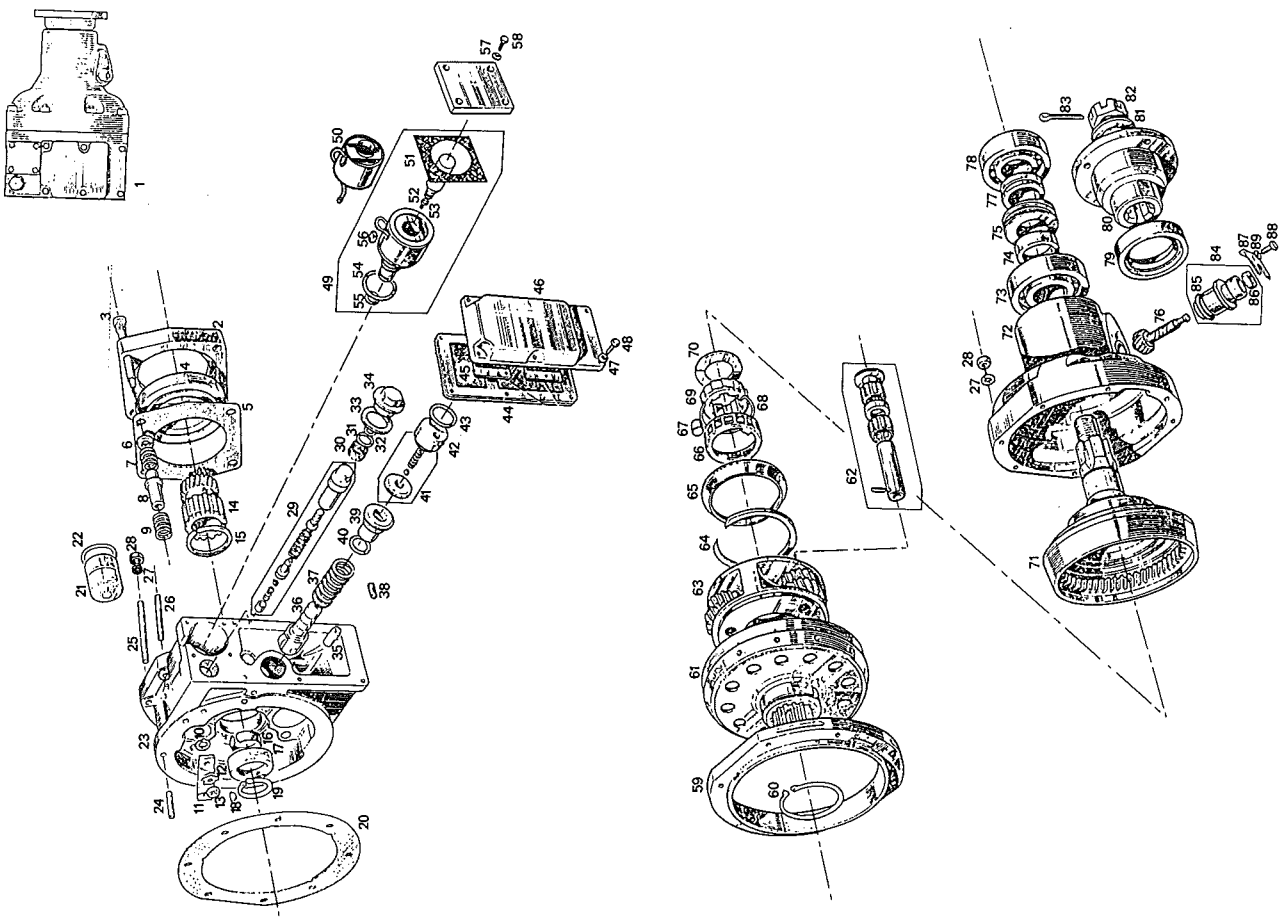
4 Synchro Overdrive Assembly ('67-On)

* ('67-'74) Overdrives have a black identification plate covering the solenoid
 * ('74-On) Overdrives have a blue identification plate covering the solenoid

No.	Part No.	Qty.	Description	Remarks
CJ001A	DAM1362CE	1	Overdrive Assembly *	Chrome Bumper Model Black Laycock nameplate Rubber Bumper Model Blue Laycock nameplate
CJ001B	DAM1362E	1	Overdrive Assembly *	
CJ002	37H1902	1	Housing Thrust Bearing	
CJ003	37H1903	4	Housing Stud	
CJ004	500640	1	Bearing	
CJ005	37H1904	1	Bearing Retainer Plate	
CJ006	37H1926	4	Washer	
CJ007	37H3872	4	Thrust Spring Rear	
CJ008	37H1927	4	Thrust Rod	
CJ009	37H1929	4	Thrust Spring Front	
CJ010	37H1930	4	Circlip	
CJ011	37H1931	2	Bridge Piece	
CJ012	7H5863	4	Lock Tab	
CJ013	37H1932	4	Nut	
CJ014	37H1907	1	Sunwheel	
CJ015	010849	1	Snap Ring	
CJ016	37H1951	1	Mainshaft Spring Ring	
CJ017A	37H1909	1	Oil Pump Cam	
CJ018A	37H1910	1	Oil Pump Cam Key	
CJ017B	22B611	1	Oil Pump Cam	
CJ018B	BLS106	1	Oil Pump Cam Ball	
CJ019	37H1911	1	Circlip	
CJ020	37H1901	1	Gasket	
CJ021	37H1933	2	Piston	
CJ022	513912	2	Piston 'O' Ring	
CJ023	37H1896	1	Main Casing	
CJ024A	37H1897	7	Stud Main Case To Adaptor	
CJ024B	37H8068	1	Stud Main Case To Adaptor	
CJ025	37H1898	6	Stud Main Case To Rear Case	
CJ026	37H1899	2	Stud Main Case To Rear Case	
CJ027	37H1960	16	Washer Spring	
CJ028	37H1932	16	Nut	
CJ029	37H3462	1	Relief Valve	
CJ030	37H1923	1	Filter	
CJ031	506129A	1	'O' Ring Seal Large	
CJ032	37H1924	1	'O' Ring Seal Small	
CJ033	506118A	1	Washer	
CJ034	37H1925	1	Plug	
CJ035	37H1920	1	Suction Tube	
CJ036	37H1915	1	Pump Plunger	
CJ037	37H1916	1	Pump Plunger Spring	
CJ038	37H1912	1	Locating Dowel	
CJ039	37H1913	1	Pump Body	
CJ040	37H1914	1	'O' Ring Seal	
CJ041	NKC29A	1	Non Return Valve	
CJ042	NKC26A	1	Pump Plug	
CJ043	NKC101A	1	'O' Ring Seal (Plug)	

For Early Spec. Mainshaft
 See Plate C1
 For Late Spec. Mainshaft
 See Plate C1

Long
 Short By Relief Valve
 Long
 Short



96 291 0115

Section CJ Continued

4 Synchro Overdrive Assembly ('67-On)

No.	Part No.	Qty.	Description	Remarks
CJ044	37H1942	1	Filter & Gasket	
CJ045	37H1943	1	Magnet Set	
CJ046	37H1944	1	Sump	
CJ047	37H1945	6	Shakeproof Washer	
CJ048	37H1946	6	Screw	
CJ049	37H1934	1	Solenoid Valve Kit	
CJ050	37H1935	1	Solenoid Coil	
CJ051	37H1941	1	Solenoid Gasket	
CJ052	37H1939	1	'O' Ring Seal Small	
CJ053	BLS106	1	Ball	
CJ054	NKC99A	1	'O' Ring Seal Large	
CJ055	NKC102A	1	'O' Ring Seal Medium	
CJ056	37H1936	1	Feed Wire Seal	
CJ057	WF702101	4	Star Washer	
CJ058	53K126	4	Screw	
CJ059	37H1900	1	Brake Ring	
CJ060	37H1906	1	Circlip	
CJ061	37H3461	1	Sliding Member	
CJ062	37H1949	1	Planet Bearing Set	
CJ063	37H1950	1	Planet Carrier	
CJ064	NKC77A	1	Spring Ring	
CJ065	010857	1	Oil Thrower	
CJ066	012610	1	Clutch Cage	
CJ067	506063A	1	Clutch Roller Set	
CJ068	513208	1	Cage Spring	
CJ069	BAU2061A	1	Clutch Inner Member	
CJ070	500613A	1	Thrust Washer	
CJ071	37H3873	1	Annulus	
CJ072	37H1947	1	Rear Casing	
CJ073	217325A	1	Annulus Bearing Front	
CJ074	37H1952	1	Spacer	
CJ075A	37H3464	1	Speedo Gear (Blue)	
CJ076A	37H3463	1	Speedo Pinion (White 21 Teeth)	
CJ075B	37H8844	1	Speedo Gear (Red)	
CJ076B	37H8845	1	Speedo Pinion (Red 20 Teeth)	
CJ077A	37H1953	1	Spacer 0.360"	
CJ077B	37H3083	1	Spacer 0.365"	
CJ077C	37H3084	1	Spacer 0.370"	
CJ077D	37H3085	1	Spacer 0.375"	
CJ077E	37H3086	1	Spacer 0.380"	
CJ077F	37H3087	1	Spacer 0.385"	
CJ077G	37H3088	1	Spacer 0.390"	
CJ078	SP75G	1	Annulus Bearing Rear	
CJ079	NKC39A	1	Rear Oil Seal	
CJ080	22H1325	1	Rear Flange	

Chrome Bumper Models ('67-'74)
Rubber Bumper Models ('74-On)

Selective

Section CJ Continued

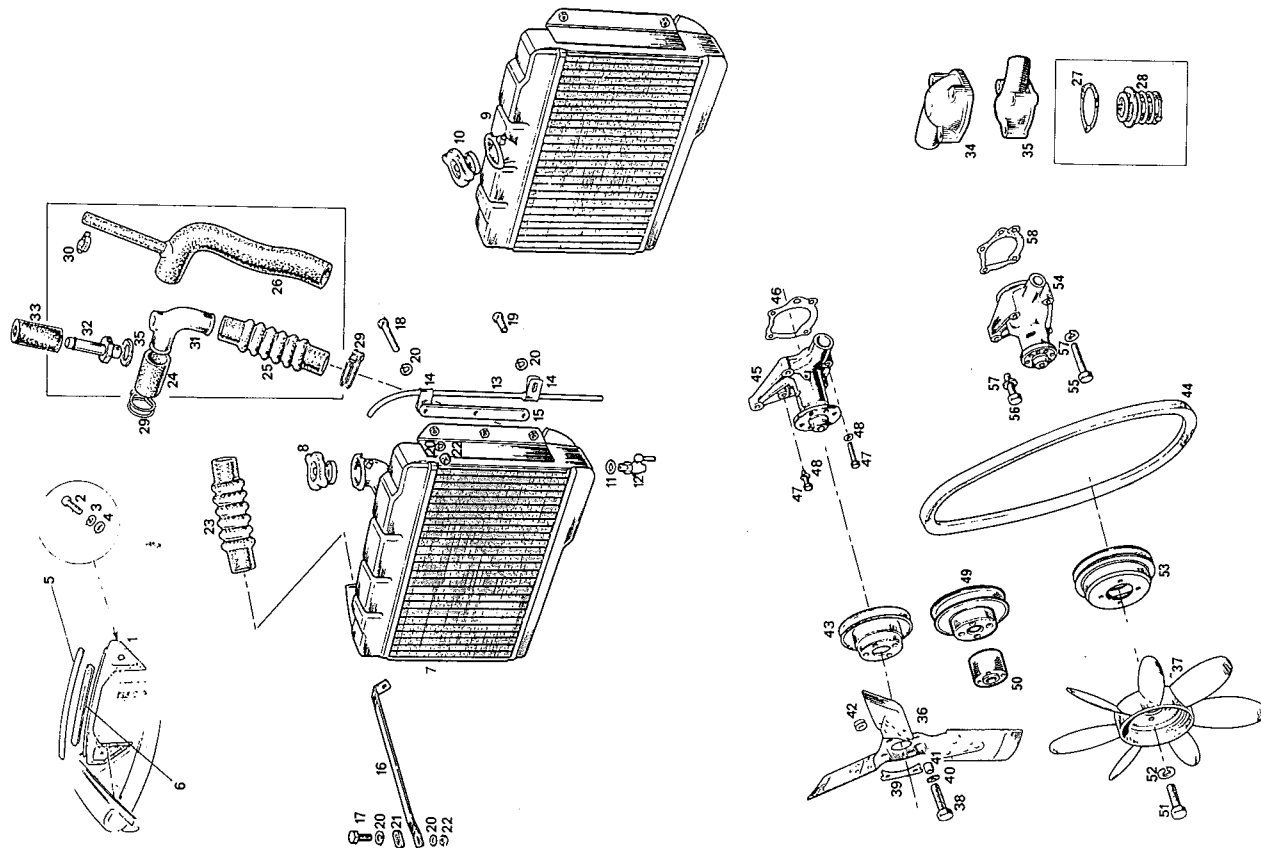
4 Synchro Overdrive Assembly ('67-On)

No.	Part No.	Qty.	Description	Remarks
CJ081	37H3876	1	Washer	
CJ082	37H3877	1	Nut	
CJ083	GHF502	1	Split Pin	
CJ084	37H1955	1	Speedo Bearing	
CJ085	NKC101A	1	Pinion 'O' Ring	
CJ086	NKC105A	1	Pinion Oil Seal	
CJ087	37H1957	1	Locking Plate	
CJ088	37H1959	1	Screw	
CJ089	37H1958	1	Washer Spring	

Section DA

Mechanical Fan Cooling System ('62-'76)

No.	Part No.	Qty.	Description	Remarks
DA001	HZA2327	1	Diaphragm Mounting	
DA002	SH605051	8	Diaphragm Mounting Screw	
DA003	GHF332	8	Washer Spring	
DA004	GHF301	8	Washer Flat	
DA005	AHH7205	1	Diaphragm To Bonnet Seal	('67-'76)
DA006	AHH8887	1	Diaphragm to Radiator Seal	('62-'67)
DA007	ARH260E	1	Radiator Assembly	Use With 7
DA008	GRC102	1	Filler Cap 7 P.S.I.	('67-'75) NLA, Use 9B & 10B
DA009A	ARC82	1	Radiator Assembly	Use With 9A
DA010A	GRC109	1	Filler Cap 10 P.S.I.	('75-'76) GHN5 386601 On
DA009B	NRP1142	1	Radiator Assembly	Use With 9B
DA010B	GRC111	1	Filler Cap 13 P.S.I.] If Fitted
DA011	ARH517	1	Drain Tap Seal	
DA012A	ARH1050	1	Drain Tap Original	
DA012B	ARH1050B	1	Drain Plug Replacement	
DA013	ARA922	1	Overflow Hose	
DA014	PCR611	2	Overflow Clip	
DA015	AHH6320	4/2	Packing Strip	Quantity Reduced ('67-On)
DA016A	AHH6321	1	Radiator Stay RH	
DA016B	AHH6322	1	Radiator Stay LH	
DA017	GHF103	2	Screw Stay To Wing	
DA018	SH605101	2	Screw Stay To Radiator	
DA019	GHF120	4/2	Screw Lower Radiator	Quantity Reduced ('75-On)
DA020	GHF332	12/10	Washer Spring	
DA021	GHF301	2	Washer Flat	
DA022	GHF201	4	Nut	
DA023	GRH305	1	Hose Rad to Stat Hsg	
DA024	FMK8859	1	Hose Pump To Elbow	Up to GHN/D5 258000 ('62-'71)
DA025	GRH305	1	Hose Elbow To Radiator	('71-'74) GHN/D5 258001 On 71-76
DA026	GRH498	1	Hose Pump to Rad	
DA027	GTG101	1	Thermostat Gasket	
DA028A	GTS102	1	165°F Thermostat (74°C)	
DA028B	GTS104	1	180°F Thermostat (82°C)	
DA028C	GTS106	1	190°F Thermostat (88°C)	
DA029A	CS4025	6/4	Wire Clip	
DA029B	GHC913	6/4	Band Clip	
DA030A	GHC709	2/1	Band Clip	
DA030B	CS4013	2/1	Wire Clip	
DA031	ACH5031	1	Elbow	
DA032	AMK8847	1	Elbow Adaptor	
DA033	AHH8761	1	Hose Adaptor To Heater Pipe	
DA034	12H797	1	Thermostat Housing	62-67
DA035	12H2556	1	Thermostat Housing	67-76



Section DA Continued

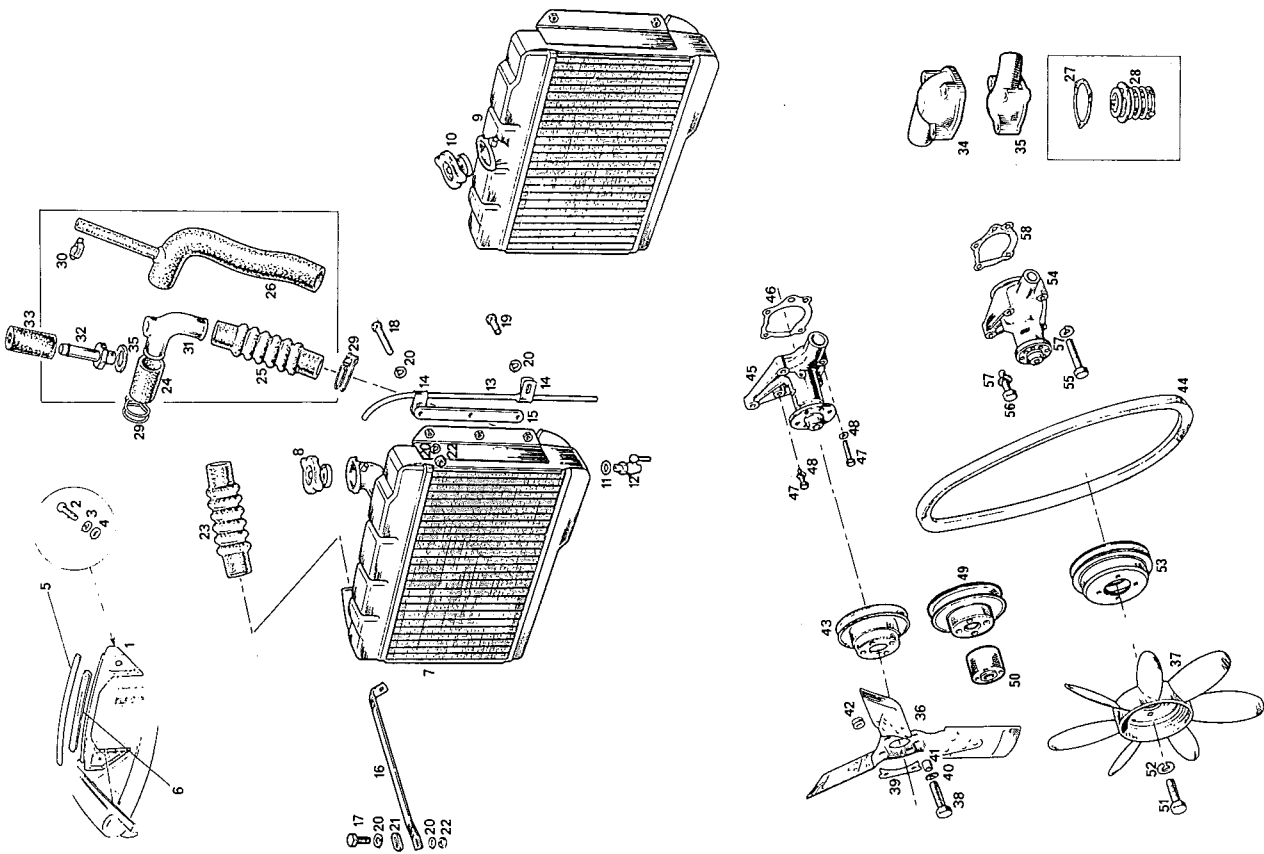
Mechanical Fan Cooling System (62-76)

18GG-18GK Fan, Water Pump & Pulley (62-71)

No.	Part No.	Qty.	Description	Remarks
DA036	12H1058	1	3 Bladed Metal Fan	('62-'67) Replaces 36
DA037A	BHH1604	1	7 Bladed Plastic Fan	
DA038	GHF101	4	Fixing Screw	Use With Metal Fans
DA039	12H1388	2	Fan Lock Tab	
DA040	PWZ204	4	Washer Flat	
DA041	12H1062	4	Fan Spacer Tube	
DA042	12H1060	4	Grommet	
DA043	12B174	1	Fan Pulley	
DA044A	GCB10900	1	Drive Belt	
DA045A	GWP115	1	Water Pump	
DA046A	12H814	1	Water Pump Gasket	('62-'64) 18G & 18GA (62-64)
DA045B	GWP114	1	Water Pump	('64-'71) 18GB-18GG
DA046B	JAM2036	1	Water Pump Gasket	(64-71) Use With 45B
DA047A	BH605141	2	Bolt Long	
DA047B	BH605101	2	Bolt Short	
DA048	GHF332	4	Washer Spring	

18V On Fan, Water Pump & Pulley (71-76)

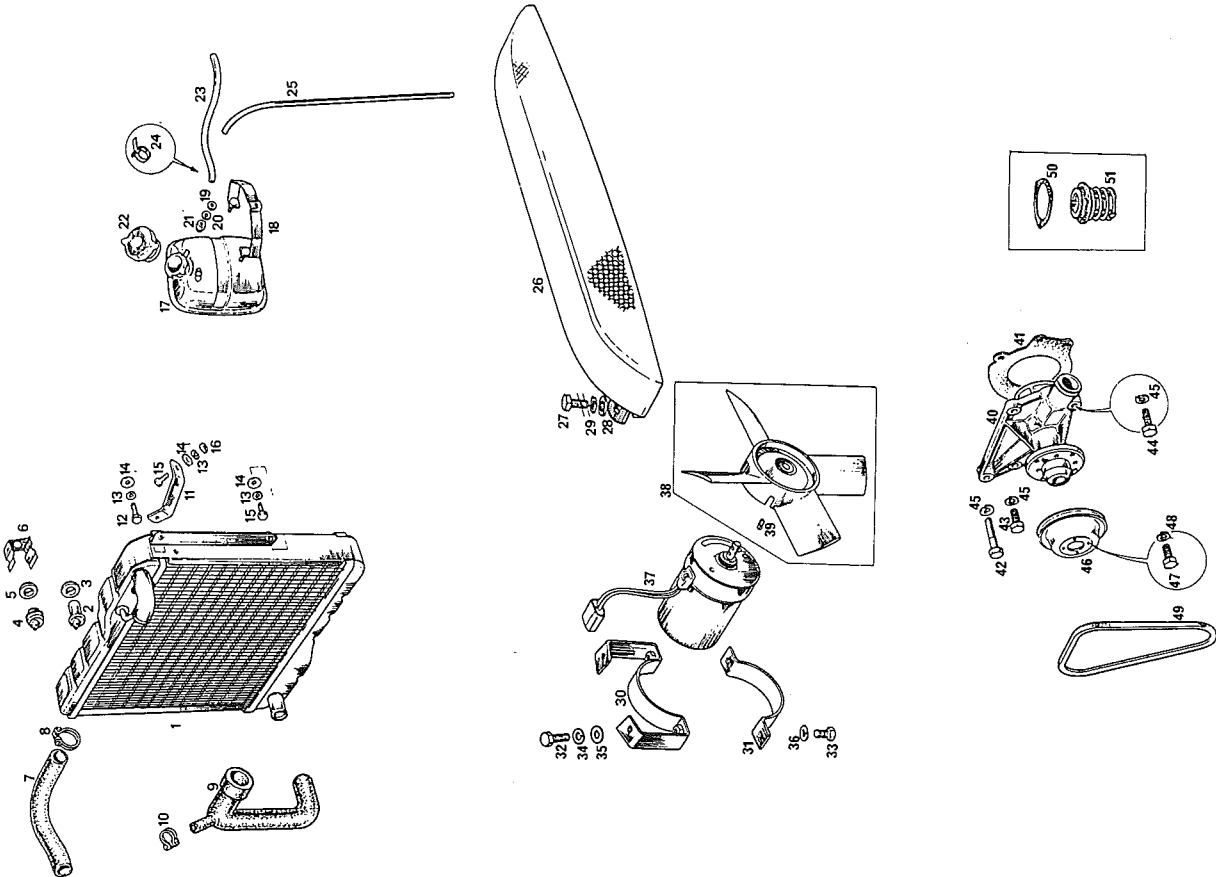
DA036	12H1058	1	3 Bladed Metal Fan	Up to DA037B From GHN5 345391
DA037B	12H4744	1	7 Bladed Plastic Fan	
DA039	12H1388	2	Fan Lock Tab	Use With Metal Fans
DA040	PWZ204	4	Washer Flat	
DA041	12H1062	4	Fan Spacer Tube	Chrome Bumper Rubber Bumper
DA042	12H1060	4	Grommet	
DA044A	GCB10900	1	Drive Belt	Chrome Bumper Metal Fan
DA044B	GCB10950	1	Drive Belt	
DA049	12H3696	1	Fan Pulley	Plastic Fan
DA050	12H3910	1	Spacer	
DA051A	BH604161	4	Fixing Bolt	Rubber Bumper
DA051B	BH604151	4	Fixing Bolt	
DA052	GHF331	4	Washer Spring	Up to 18V672 27269 71-74
DA053	CHM56	1	Fan Pulley	
DA054A	GWP117	1	Water Pump	18V672 27270 On 74-76
DA055A	BH605151	2	Bolt Long	
DA056A	SH605111	2	Screw Short	
DA054B	GWP130	1	Water Pump	
DA055B	BH605141	1	Bolt Long	
DA056B	GHF103	3	Screw Short	
DA057	GHF332	4	Washer Spring	
DA058	JAM2036	1	Water Pump Gasket	



Section DB

Electric Fan Cooling System (76-On)

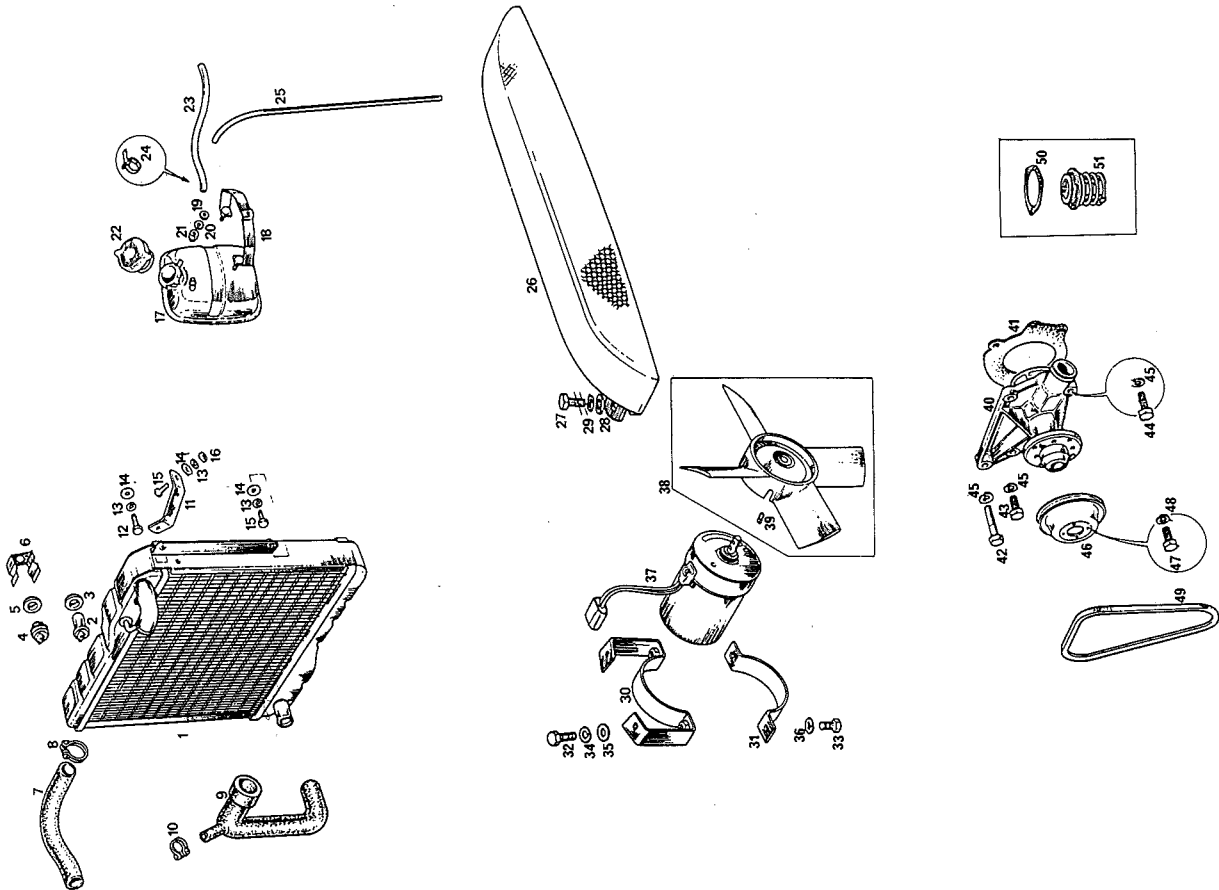
No.	Part No.	Qty.	Description	Remarks
DB001A	NRP1153	1	Radiator	Up to GHN/D5 511291
DB001B	NRP1154	1	Radiator	GHN/D5 511291 on
DB002	URP1126	1	Radiator Fan Switch	Up to GHN/D5 511290
DB003	URP1027	1	Switch Sealing Ring	(76-79) Use with 1A
DB004A	KTP9003	1	Radiator Fan Switch	GHN/D5 511291 On
DB005	KTP9005	1	Radiator Sealing Ring	(79-On) Use with 1B
DB006	KTP9006	1	Retaining Clip	
DB007	GRH592	1	Radiator Top Hose	
DB008A	CS4025	4	Clip Wire	Alternative
DB008B	GHC913	4	Clip Band	Alternative
DB009	GRH641	1	Radiator Bottom Hose	
DB010A	CS4013	1	Clip Wire	
DB010B	GHC709	1	Clip Band	
DB011A	BHH1052	1	Radiator Support Bracket RH	
DB011B	BHH1304	1	Radiator Support Bracket LH	
DB012	SH605071	2	Top Mounting Screw	
DB013	GHF332	6	Washer Spring	
DB014	PWZ305	6	Washer Flat	
DB015	SH605051	4	Screw	
DB016	GHF201	2	Nut	
DB017	ARH250	1	Expansion Tank	
DB018	BHH2132	1	Expansion Tank Strap	
DB019	PWZ305	2	Washer Flat	
DB020	GHF332	2	Washer Spring	
DB021	GHF222	2	Nut, Nylon	
DB022	GRC110	1	Pressure Cap 15 P.S.I	
DB023	GRH1005M	1	Expansion Tank Hose	
DB024	21K8341	2	Clip	Solid/Metre
DB025	GRH1001M	1	Over-flow Hose	
DB026A	BHH1305	1	Fan Guard	Solid/Metre
DB026B	BHH2260	1	Fan Guard	(76-78) Up to GHN/D5 488708
DB027	SH604041	2	Fan Guard Mounting Screw	(78-On) GHN/D5 488709 On
DB028	PWZ204	2	Washer Flat	
DB029	GHF331	2	Washer Spring	
DB030	BHH1028	1	Fan Motor Bracket RH	
DB031	BHH1029	1	Fan Motor Bracket LH	
DB032	SH604041	2	Screw Short	
DB033	GHF117	2	Screw Long	
DB034	GHF331	2	Washer Spring	
DB035	GHF300	2	Washer Flat	
DB036	GHF331	2	Washer Spring	
DB037	ALU1081	1	Fan Motor	
DB038	13H8238	1	Fan Assembly	
DB039	37H8572	1	Fan Grub Screw	
DB040	GWPT130	1	Water Pump	
DB041	JAM2036	1	Water Pump Gasket	
DB042	BH605141	2	Bolt Intermediate	
DB043	GHF103	1	Screw, Short	
DB044	BH605161	1	Bolt Long	
DB045	GHF332	4	Washer Spring	
DB046	CHM55	1	Water Pump Drive Pulley	



Section DB Continued

Electric Fan Cooling System ('76-On)

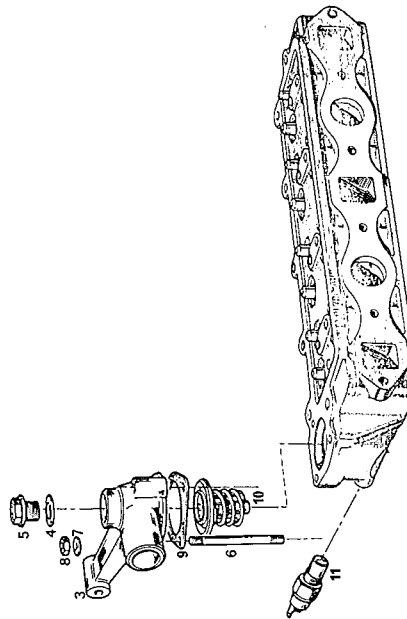
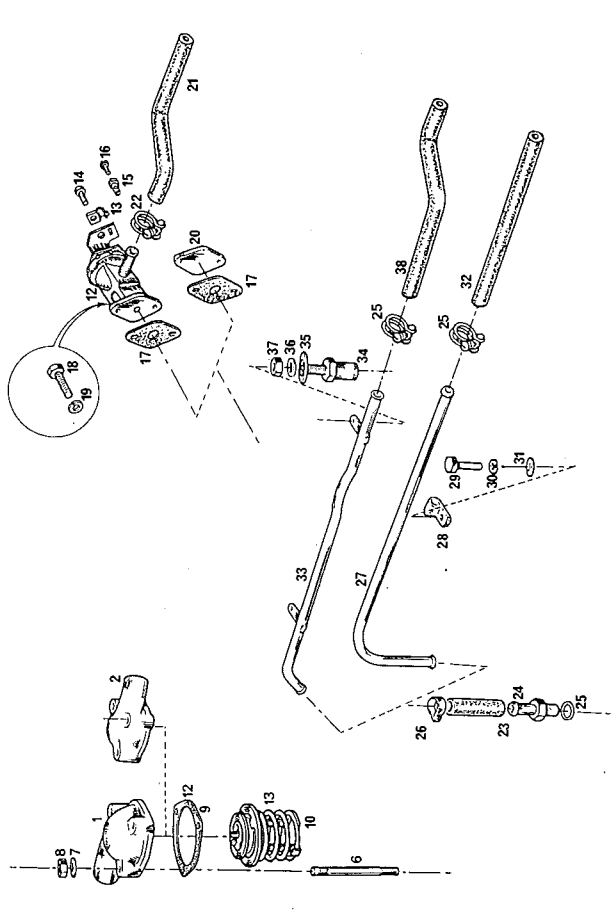
No.	Part No.	Qty.	Description	Remarks
DB047	SH604051	4	Pulley To Pump Screw	
DB048	GHF331	4	Washer Spring	
DB049	GCB10950	1	Water Pump Drive Belt	
DB050	GTC101	1	Thermostat Gasket	
DB051A	GTS102	1	165°F Thermostat (74°C)	Hot Climates
DB051B	GTS104	1	180°F Thermostat (82°C)	Normal
DB051C	GTS106	1	190°F Thermostat (88°C)	Cold Climates



Section DC

Thermostat Housing And Heater Pipes

No.	Part No.	Qty.	Description	Remarks
DC001	12H797	1	Thermostat Housing	(62-67) 18G-18GB
DC002	12H2556	1	Thermostat Housing	(67-76) 18GG-18V673
DC003	CAMI1577	1	Thermostat Housing	(76 On)
DC004A	TRS1418	1	Sealing Washer Rubber] (*76-On)
DC004B	TRS1418A	1	Sealing Washer Plastic	
DC005	ARA2634	1	Filler Plug Plastic	
DC006	CHS2515	3	Thermostat Housing Stud	
DC007	GHF301	3	Washer Flat	
DC008	GHF201	3	Nut	
DC009	GTG101	1	Thermostat Housing Gasket	
DC010A	GTS102	1	165°F Thermostat (74°C)] Do Not Run Without Either Thermostat Or Blanking Sleeve (76-On) 18V883 On
DC010B	GTS104	1	180°F Thermostat (82°C)	
DC010C	GTS106	1	190°F Thermostat (88°C)	
DC010D	AJU4012	1	Blanking Sleeve (No thermostat) & gasket	
DC011	GTR101	1	Thermal Transmitter	
DC012	BHA5298	1	Heater Control Valve	
DC013	27H1193	1	Cable Clip Outer	
DC014	AB606021	1	Retaining Screw	
DC015	24G1482	1	Trunnion	
DC016	53K1016	1	Trunnion Screw	
DC017	12H3868	1	Heater Valve Gasket	
DC018	SH604071	2	Screw	
DC019	GHF331	2	Washer Spring	
DC020	1G1282	1	Blanking Plate	
DC021	GRH903	1	Hose Valve to Heater	
DC022A	CS4013	A/R	Clip Wire] Alternative Solid/Metre
DC022B	GHC507	A/R	Clip Band	
DC023	GRH1006M	A/R	Heater Hose 1/2" Diameter	
DC024	AMK8847	1	Water Union	
DC025	6K638	1	Sealing Washer] 18G-18GG (*62-71)
DC026A	CS4012	A/R	Clip Wire (Alt)	
DC026B	GHC406	A/R	Clip Band (Alt)	
DC027	AHH5435	1	Water Return Pipe	
DC028	PCR811	1	Water Return Pipe Clip	
DC029	SH605041	1	Screw] 18G-18GB (*62-67)
DC030	GHF332	1	Washer Spring	
DC031	GHF301	1	Washer Flat	
DC032	GRH1006M	A/R	Hose Heater To Pipe] Solid/Metre
DC033	AHH9498	1	Water Return Pipe	
DC034	12H2557	2	Pipe Locating Stud	
DC035	GHF301	2	Washer Flat] 18GG On (*67 On)
DC036	GHF331	2	Washer Spring	
DC037	GHF201	2	Nut	
DC038	AHH8761	1	Hose Heater To Pipe	

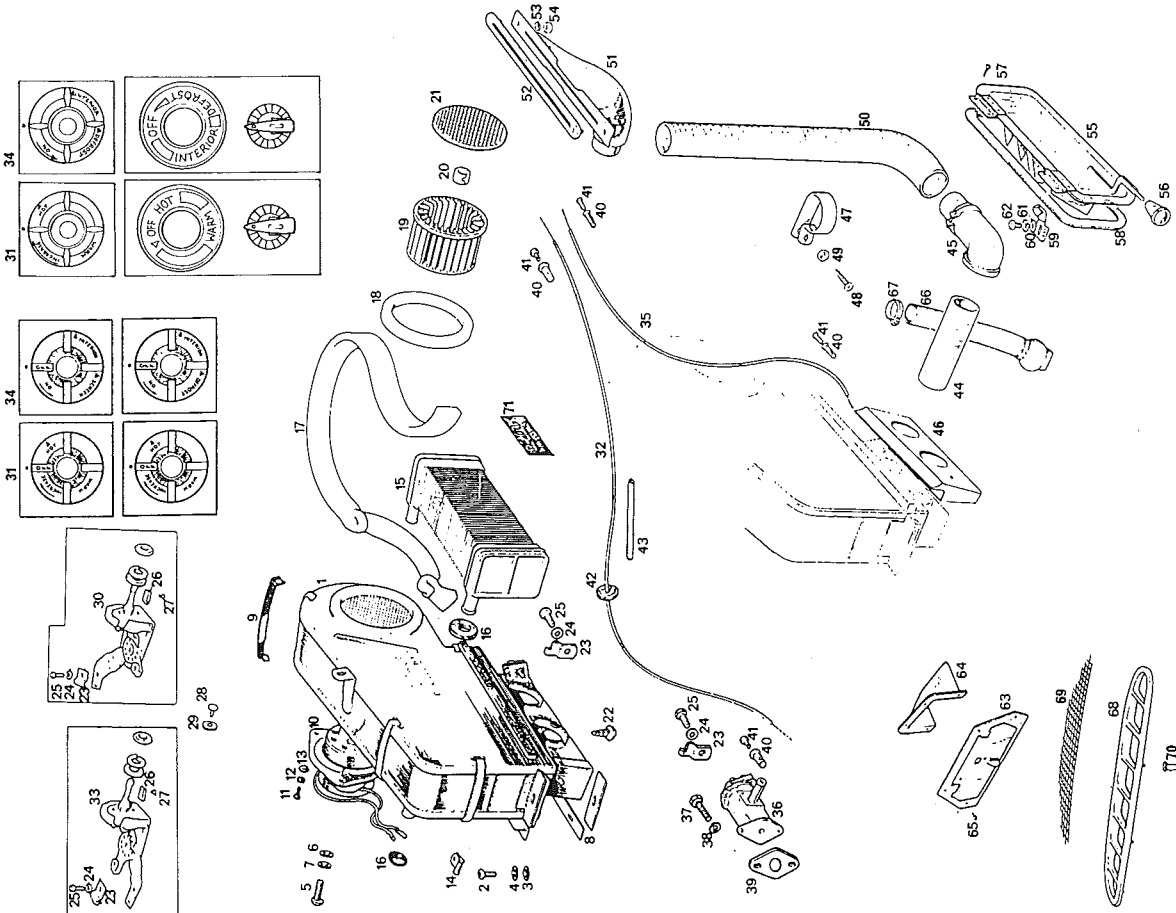


Section DD

Heater Assembly

No.	Part No.	Description	Qty.	Remarks
DD001	BHH1865	Heater Assembly	1	
DD002	PMZ310	Heater To Bulkhead Screw	4	Replacement
DD003	GHF306	Washer Flat	4	
DD004	WL700101	Spring Washer	4	Washer Spring
DD005	SE604051	Heater To Bulkhead Screw	1	
DD006	GHF300	Washer Flat	1	
DD007	GHF331	Washer Spring	1	
DD008	AHH6290K	Heater To Bulkhead Gasket	1	4 Pieces
DD009	17H1595	Heater Case Clip	5	
DD010	37H7913	Heater Motor	1	
DD011	AB610051	Heater Motor Screw	3	
DD012	WL700101	Washer Spring	3	
DD013	GHF306	Washer Flat	3	
DD014	PCR411	Heater Cable Clip	1	
DD015	37H7914	Heater Matrix	1	
DD016	7H1993	Heater to Case Seal	2	
DD017	17H1797	Heater Matrix Foam	1	
DD018	17H3714	Heater Case Seal	1	
DD019	37H2787	Heater Fan	1	
DD020A	17H6836	Retaining Clip	1	
DD020B	27H602	Collet Nut, Fan Retaining	1	Alternative Fitment to 20A
DD021	27H8831	Heater Fan Grille	1	
DD022	AB606021	Outlet Screw	4	
DD023	27H1193	Clamp Outer	4	
DD024	WF702101	Shakeproof Washer	4	
DD025	53K126	Clamp Screw	4	
DD026	17H1601	Knob Clip	2	
DD027	17H1603	Pin	2	
DD028	AHH8971	Control Position Rivet	2	
DD029	PWZ102	Washer Flat	2	
DD030A	BHA4326	Heat Control Knob	1	
DD031A	BHA4328	Heat Control Knob	1	
DD032A	BHH679	Heat Control Cable Metal Sleeve	1	Up to GHN/D 5 219000 ('62-'70)
DD033A	BHA4327	Air Control Knob	1	
DD034A	BHA4329	Air Control Knob	1	
DD030B	BHA4326	Heat Rotary Control	1	GHN/D5 291001 to GHN/D5 360000 ('70-'74)
DD031B	BHA4328	Heat Control Knob	1	
DD032B	BHH679	Heat Control Cable Metal Sleeve	1	
DD033B	BHA4327	Air Rotary Control	1	
DD034B	BHH738	Air Control Knob	1	
DD030C	BHA5226	Heat Control Knob	1	
DD031C	BHH1687	Heat Control Knob	1	
DD032C	BHA5407	Heat Control Cable Plastic Sleeve	1	GHN/D5 360001 To GHN/D5 410000 ('74-'76)
DD033C	BHA4327	Air Control Knob	1	
DD034C	BHH1688	Air Control Knob	1	

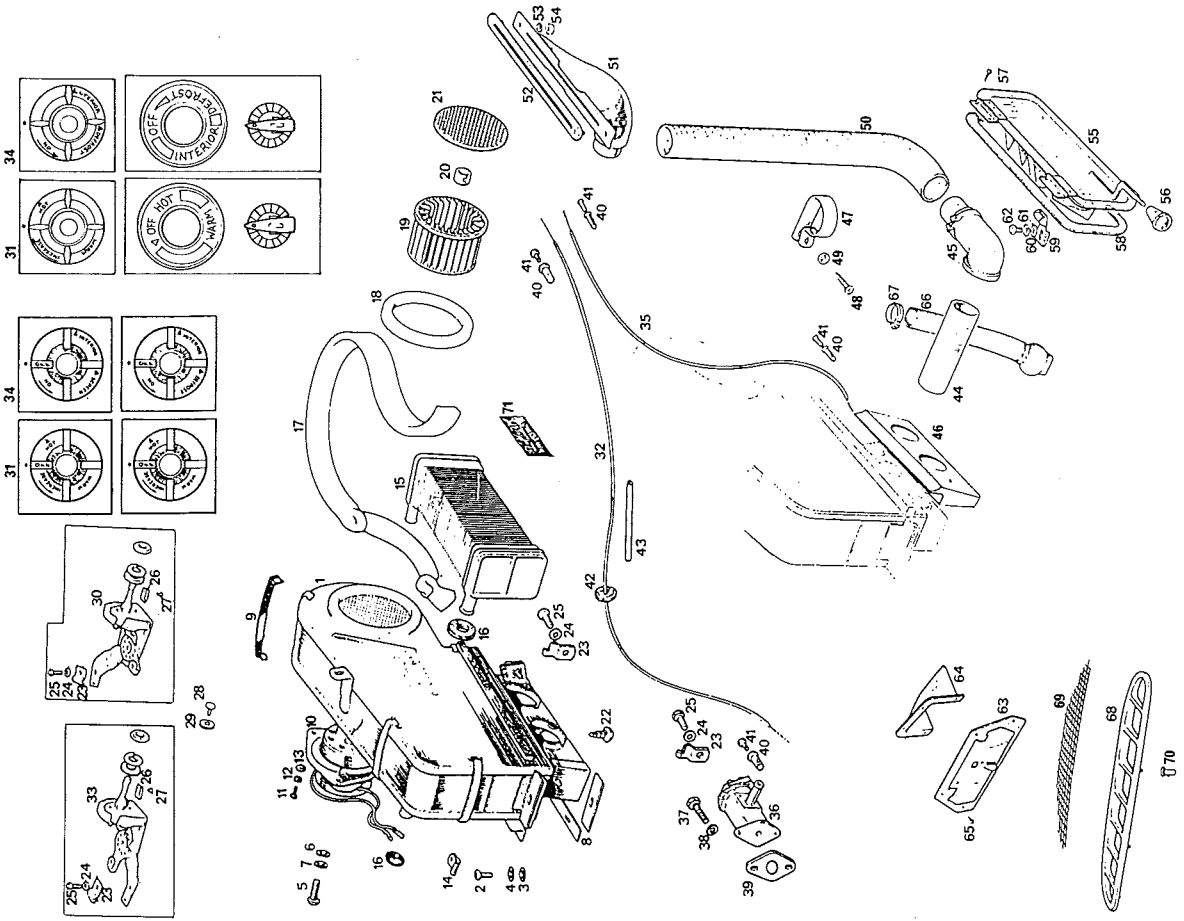
BHA4334 (LHD)
USN BHA4335



Section DD Continued

Heater Assembly

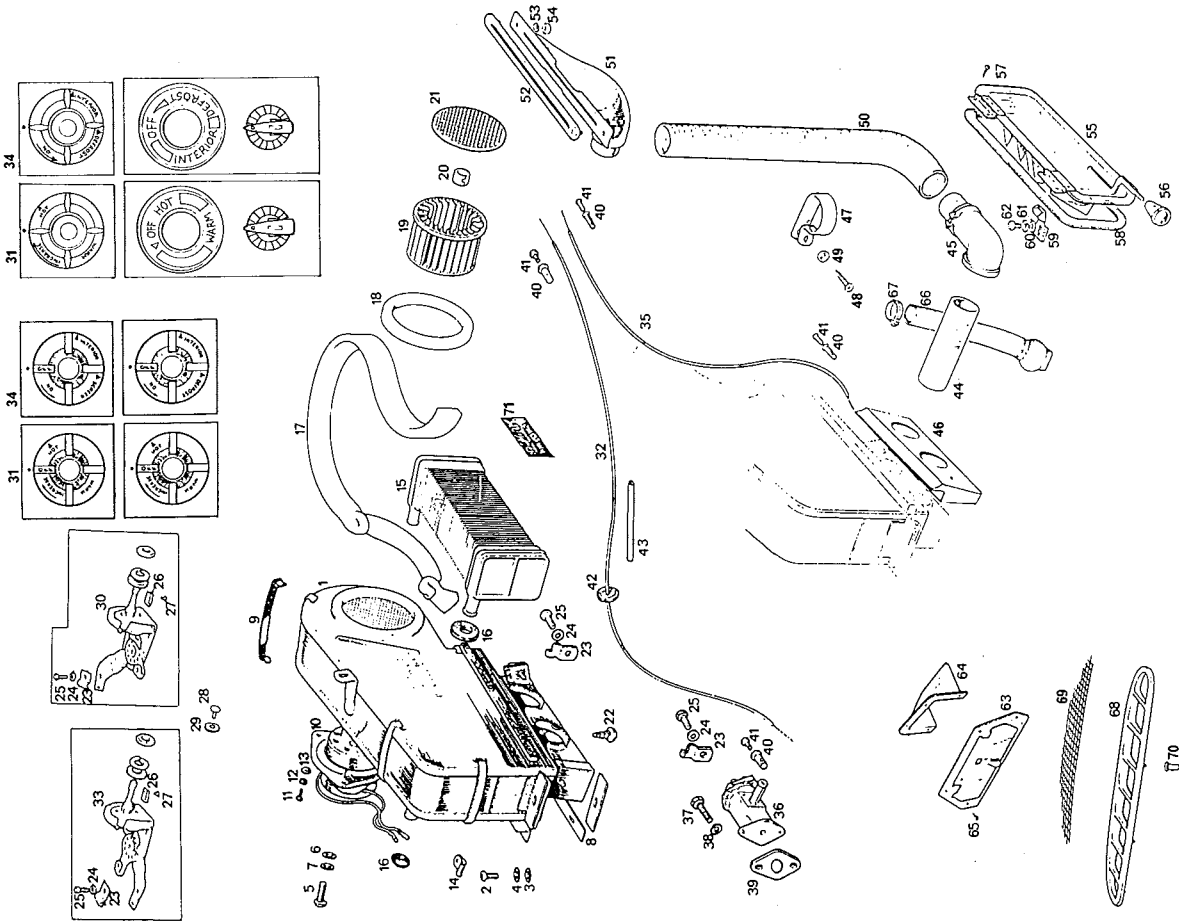
No.	Part No.	Qty.	Description	Remarks
DD030D	AAU1995	1	Heat Control	GHN/D5 410001 On (76-On)
DD031D	BHH1870	1	Heat Control Bezel	
DD031E	BHH1866	1	Heat Control Knob	
DD032D	BHA5407	1	Heat Control Cable Plastic Sleeve	
DD033D	AAU1996	1	Air Control	
DD034D	BHH1873	1	Air Control Bezel	
DD034E	BHH1866	1	Air Control Knob	
DD035A	BHA4337	1	Air Control Cable Metal Sleeve	
DD035B	BHA5407	1	Cable, Plastic Sleeve	
DD035C	BHH1230	1	Air Control Cable Plastic Sleeve	
DD036	BHA5298	1	Heat Control Valve	To GHN/D5 303703 Alternative to 35A From GHN/D5 303704 On
DD037	SH604071	2	Valve To Head Screw	
DD038	GHF331	2	Washer Spring	Sold Per Metre (70-On)
DD039	12H3868	1	Valve To Head Gasket	
DD040	24G1482	4	Trunnion	
DD041	53K1016	4	Screw	
DD042	RRF503	1	Bulkhead Gommel	
DD043	GRH1001M	A/R	Heater Cable Sleeve	
DD044	AHH6527	2	Connector Tube	
DD045	14G3499	2	Demister Elbow	
DD046	BHH389	1	Heater Cover Seal	
DD047	AHC865	2	Retaining Clip	
DD048	AD606064	2	Screw	
DD049	FWP906	2	Cup Washer	
DD050A	AHH8394	2	Demister Tube	(62-72) Up to GHN/D5 258000
DD051A	HZA546	1	Demister Nozzle RH	
DD051B	HZA547	1	Demister Nozzle LH	(72-On) GHN/D5 258001 On
DD052A	AHH6190	2	Escutcheon Demister Tube	
DD050B	BHH390	2	Demister Tube	
DD051C	AHH8743	1	Demister Nozzle RH	
DD051D	AHH8744	1	Demister Nozzle LH	
DD052B	AHH8566	2	Escutcheon	
DD053	WL700101	4	Washer Spring	
DD054	GHF206	4	Nut	
DD055	HZA3924	1	Fresh Air Door	
DD056A	AHH6165	1	Black Knob (62-74)	
DD056B	BHH828	1	White Knob (74-On)	
DD057	AB606031	4	Retaining Screw	
DD058	AHH6166	1	Door Gasket	
DD059	AHH6192	1	Door Spring Catch	
DD060	GHF300	1	Washer Flat	
DD062	GHF331	1	Washer Spring	
DD063	13H59	1	Retaining Screw	
DD064	BHH391	2	Heater Outlet Door	
DD065	AB606031	2	Heater Outlet Shroud	
DD066	AHC321	8	Screw	
DD067	GHC709	1	Drain Tube With Valve	
DD068	AHH6102	1	Retaining Clip	
DD069	AHH6102X	1	Vent Grille	
DD070	GHF1531	6	Vent Grille Mesh (Accessory) Vent Grille Retainer	



Section DD Continued

Heater Assembly

No.	Part No.	Description	Qty.	Remarks
DD071A	CRCP302	Heater Badge (Metal)	1	
DD071B	CRST127	Heater Decal-Red (Adhesive)	1	Drain Warning
DD071C	CRST130	Heater Decal-White (Adhesive)	1	Early Smiths
DD071D	CRST129	Heater Decal-White (Adhesive)	1	Late Smiths



Section EA

Exhaust Systems

Chrome bumper model exhausts are available as 5,3,2 or 1 piece systems. Rubber bumper model exhausts are available only as 2 piece or 1 piece systems. It may be noted, however, that items EA001-3 (chrome bumpers) will also fit rubber bumper cars.

5 Piece Mild Steel System Chrome Bumper Models

No.	Part No.	Qty.	Description	Remarks
EA001	GEX3263	1	Down Pipe	
EA002	GEX1316	1	Connector Pipe Front	
EA003	GEX3393	1	Silencer Front	
EA004	GEX1321	1	Connector Pipe Rear	
EA005	GEX3429	1	Silencer Rear	

3 Piece Mild Steel System Chrome Bumper Models

EA006	GEX1778	1	Down Pipe	
EA007	GEX3393BL	1	Silencer Front	
EA008	ARH283	1	Silencer Rear	

2 Piece Stainless Steel Systems Chrome Bumper Models

EA009A	FSMG19	1	Down Pipe	
EA009B	TMG10730	1	Tubular Manifold	
EA010A	FSMG23	1	Silencer System Twin	Normal Centre Box
EA010B	FSMG11	1	Silencer System Twin	Bomb Centre Box
EA010C	FSMG323	1	Silencer System Single	No Centre Box

2 Piece Stainless Steel Systems Rubber Bumper Models

EA009C	FSMG19	1	Down Pipe	
EA009D	TMG10730	1	Tubular Manifold	
EA010D	FSMG28	1	Silencer System Twin	Normal Centre Box
EA010E	FSMG12	1	Silencer System Twin	Bomb Centre Box
EA010F	FSMG328	1	Silencer System Single	No Centre Box

1 Piece Mild Steel Systems

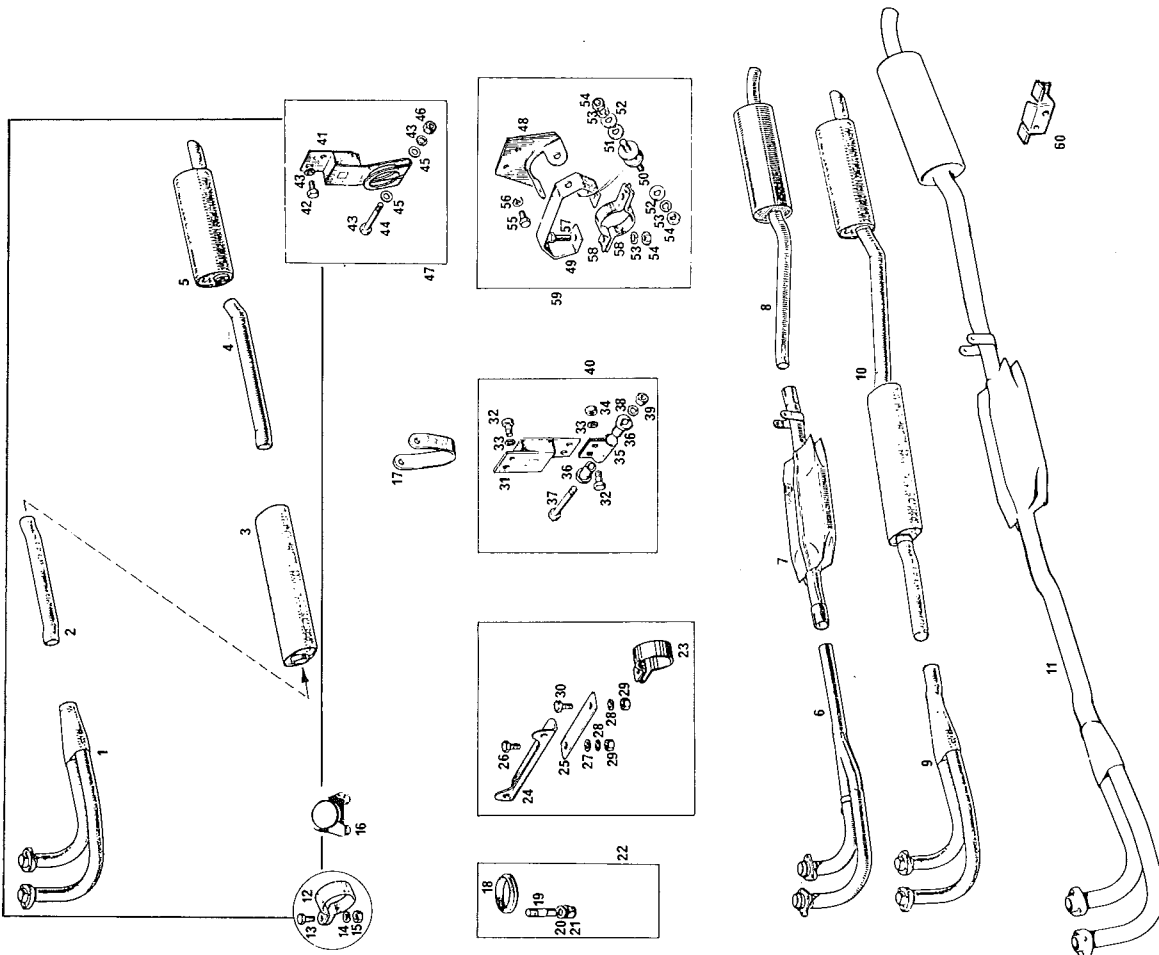
EA011A	GEX130	1	Exhaust System OE Chrome Bumper	Up to GHN/D5 447000 GHN/05 447001 on
EA011B	GEX130B	1	Exhaust System Repro Chrome Bumper	
EA011C	GEX162	1	Exhaust System OE Rubber Bumper	
EA011D	GEX162B	1	Exhaust System Repro Rubber Bumper	
EA011E	GEX176	1	Exhaust System OE Rubber Bumper	
EA011F	GEX176B	1	Exhaust System Repro Rubber Bumper	

Fittings and Brackets

Pipe Clamps

EA012	GEX7075	A/R	Exhaust Clamp (Band)	Replaces 12-15 Requires Welding
EA013	BH605101	A/R	Bolt	
EA014	GHF332	A/R	Washer Spring	
EA015	GHF201	A/R	Nut	
EA016	GEX9008	A/R	Exhaust Clamp (U Bolt)	
EA017	GEX7191	1	Centre Pipe Strap	

GAX
913 485 13 24



Section EA Continued

Exhaust Systems

Down Pipe Sealing Clamp

No.	Part No.	Description	Qty.
EA018	GEG753	Down Pipe Seal	2
EA019	CHS2513	Down Pipe Stud	6
EA020	GHF332	Washer Spring	6
EA021A	GHF261	Brass Nut Replacement	6
EA021B	AHH48382	Steel Nut Helicoll	6
EA022	GEK1001	Down Pipe Fitting Kit	1

Front Steady Bracket

EA023	GEX7074	Down Pipe Steady Clip	1
EA024A	GEX7189	Transmission Bracket ('62-'67)	1
EA024B	GEX7190	Transmission Bracket ('67-'74)	1
EA024C	BHH1542	Transmission Bracket ('74-On)	1
EA025	GEX7194	Transmission Strap	1
EA026	SH605061	Screw	1
EA027	GHF301	Washer Flat	1
EA028	GHF332	Washer Spring	2
EA029	GHF201	Nut	2
EA030	GHF103	Screw	1

Middle Support

EA031	GEX7204	Mounting Rubber	1
EA032	SH604041	Screw	4
EA033	GHF331	Washer Spring	4
EA034	GHF200	Nut	2
EA035	GEX7183	Mounting Bracket	1
EA036	GEX7182	Mounting Pivot Bush	2
EA037	BH605221	Mounting Bolt	1
EA038	GHF332	Washer Spring	1
EA039	GHF201	Nut	1
EA040	GEK1002	Mounting Kit	1

Rear Support ('62-'69)

EA041	GEX7275	Mounting Rubber	1
EA042	SH604041	Screw	2
EA043	GHF331	Washer Spring	3
EA044	BH604221	Mounting Clamp Bolt	1
EA045	GHF300	Washer Flat	2
EA046	GHF200	Nut	1
EA047	GEK1003	Mounting Kit	1

Section EA continued

Exhaust Systems

Rear Support ('69-on)

No.	Part No.	Description	Qty	Remarks
EA048A	GEX7201	Mounting Bracket	1	Chrome Bumper Models Rubber Bumper Models
EA048B	GEX7442	Mounting Bracket	1	
EA049	GEX7202	Mounting Bracket Strap	1	
EA050	GEX7493	Mounting Rubber	2	
EA051	AHC442	Mounting Rubber Insulators	4	
EA052	PWZ205	Washer Flat	4	
EA053	GHF332	Washer Spring	6	
EA054	GHF201	Nut	6	
EA055	SH604041	Screw	2	
EA056	GHF331	Washer Spring	2	
EA057	SH605091	Screw	2	
EA058	GEX7252	Clamp Bracket 1.5/8" Dia	2	Chrome Bumper Rubber Bumper
EA059A	GEK1004	Mounting Kit	1	
EA059B	GEK1005	Mounting Kit	1	
EA060	HZA479	Bracket - exhaust mounting to body	1	

Section FA

Fuel Tanks

Fuel Tanks and Fittings, MGB Roadster 1962-65

No.	Part No.	Qty.	Description	Remarks
FA001	ARH176	1	Fuel Tank	
FA002	ARO4566	1	Drain Plug	
FA003	ARH1499	1	Drain Plug Washer	
FA004A	BHA4292E	1	Tank Unit (For Jaeger Gauge)	Up To GHN3 47462
FA004B	BHA4471	1	Tank Unit (For Smith Gauge)	GHN3 47463 On
FA005	2H1082	1	Tank Unit Gasket	
FA006	ARG923	6	Tank Unit Screw	
FA007	AHH6253	2	Strap Mounting	
FA008	AHH6252	2	Tank Strap Packing	
FA009	CLZ427	4	Clevis Pin	
FA010	AHH6257	2	Rear Hanger	
FA011	GHF300	6	Washer Flat	
FA012	BH604181	2	Bolt	
FA013	LNZ104	2	Nut	
FA014	GHF503	2	Split Pin	
FA015	AHH6280	1	Tank Neck Seal	

Fuel Tanks MGB & GT 1965 on

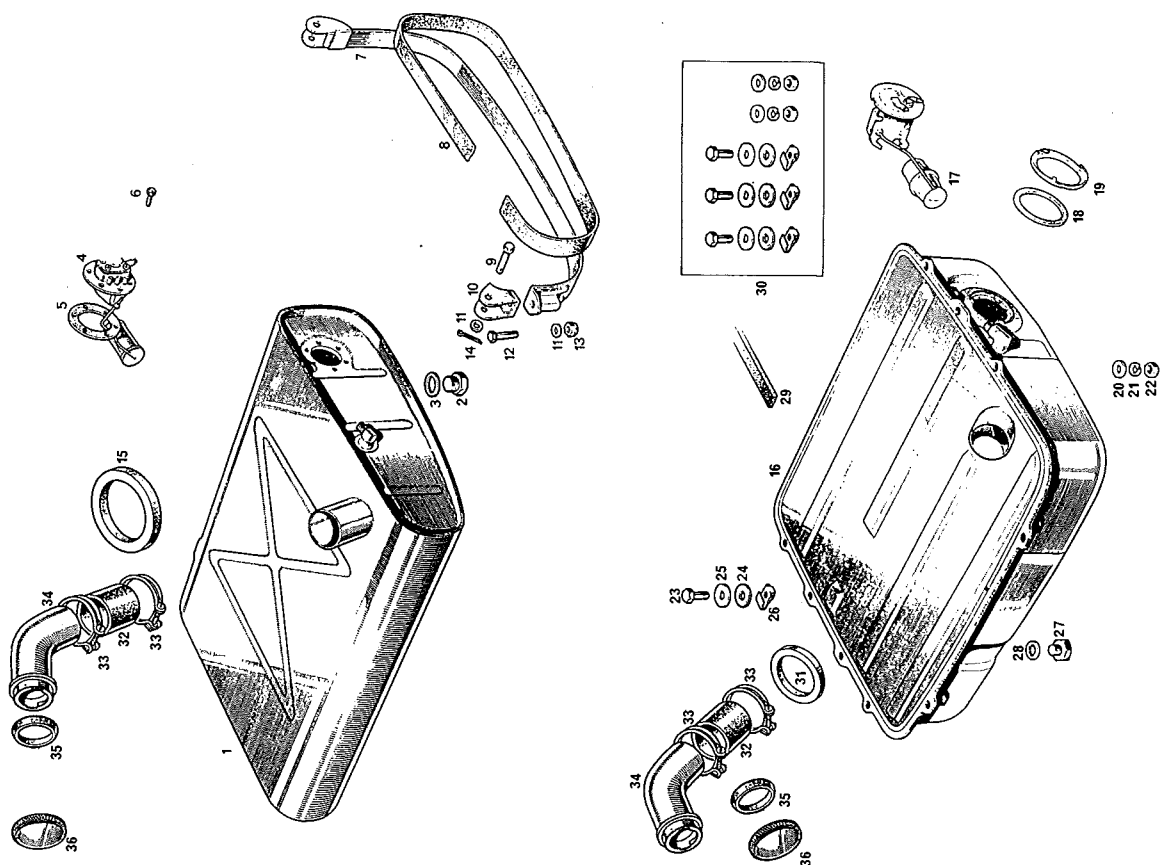
FA016A	NRP2	1	Fuel Tank, Mild Steel	Up to GHN/D5 386600
FA016B	NRP2B	1	Fuel Tank, Mild Steel	Repro
FA016C	NRP2SS	1	Fuel Tank, Stainless	Up to GHN/D5 386600
FA016D	NRP1132	1	Fuel Tank, Mild Steel	GHN/D5 386601 to 415000
FA016E	NRP1174	1	Fuel Tank, Mild Steel	See note at bottom of page
FA016F	NRP1174B	1	Fuel Tank, Mild Steel	GHN/D5 415001 On
FA016G	NRP1174SS	1	Fuel Tank, Stainless	Repro
				GHN/D5 415001 On

Note: Tank NRP1132 is no longer available - however, the earlier NRP2 tank may be fitted on vehicles of this age, so long as the earlier filler tube and hose (AHH6281 & BHH191 resp) are used in conjunction with it.

Fuel Tanks

Tank Fittings, MGB & GT 1965 on

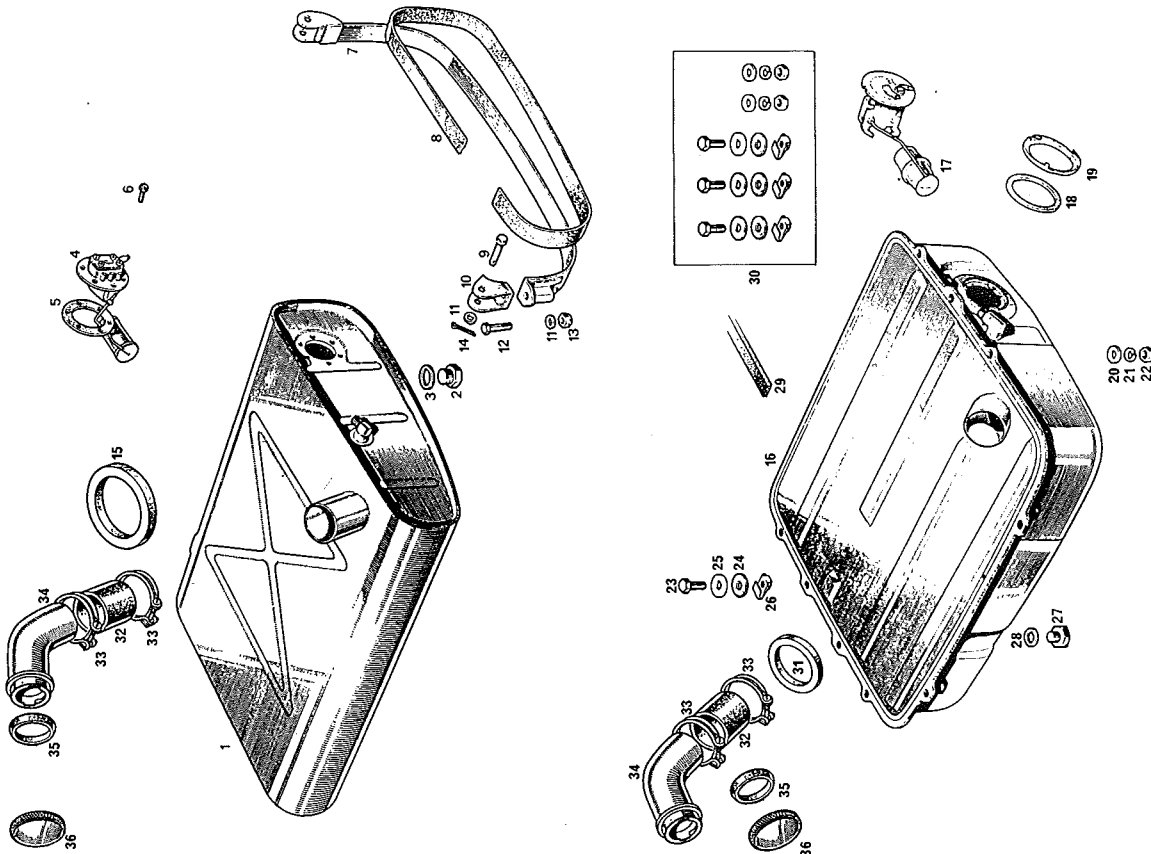
FA017A	AHU1027	1	Tank Unit	Up to GHN/D5 415000
FA017B	AHU1027B	1	Tank Unit	Repro
FA017C	ADU3218	1	Tank Unit	GHN/D5 415000 on
FA017D	ADU3218B	1	Tank Unit	Repro
FA018	ARA1502	1	Tank Sealing Ring	
FA019	ARA1501	1	Tank Locking Ring	
FA020	GHF301	4	Washer Flat	
FA021	GHF332	4	Washer Spring	
FA022	GHF201	4	Nut	
FA023	SH605061	5	Retaining Screw	
FA024A	AHH7513	5	Washer Large Fibre	
FA024B	2K8944	1	Washer Small Fibre	



Section FA Continued

Fuel Tanks

No.	Part No.	Qty.	Description	Remarks
FA025A	PWZ405	5	Washer Flat Large	
FA025B	PWZ305	1	Washer Flat Small	
FA026	346071A	5	Captive Nut	
FA027	ARH672	1	Tank Drain Plug	NRP2 Tank only
FA028	ARA967	1	Tank Sealing Washer	
FA029	AHH7386	4	Tank Packing Strip	
FA030	NRP2BK	1	Tank Fitting Kit	Contains FA020-25
FA031	AHH7388	1	Tank Neck Seal	
Tank Fittings, All Models				
FA032A	BHH191	1	Filler Hose	Up to GHN/D5 386600
FA032B	BHH1886	1	Filler Hose	GHN/D5 386601 to GHD5 451052
FA032C	BHH2206	1	Filler Hose	GHN5 454203/GHD5 451053 On Alternatives
FA033A	GHC1622A	2	Wire Clip	
FA033B	GHC1622	2	Band Clip	
FA034A	AHH6281	1	Filler Neck	Up to GHN/D5 386600
FA034B	CHAA444	1	Filler Neck	GHN/D5 386601 On
FA035A	AHH6268	1	Filler to Body Seal	Up to GHN/D5 392765
FA035B	BHH1937	1	Filler to Body Seal	GHN/D5 392766 to GHD5 451052
FA035C	BHH2205	1	Filler to Body Seal	GHN5 454203/GHD 5451053 On
FA036A	18G8601A	1	Filler Cap	
FA036B	GSS154	1	Locking Cap Stainless	
FA036C	GSS154A	1	Locking Cap Period Fitment	
FA036D	GSS196	1	Locking Cap Black	



Section FB

Fuel Pump & Fixings

Roadster Fuel Pump, Up to GHN3 44438 ('62-'64)

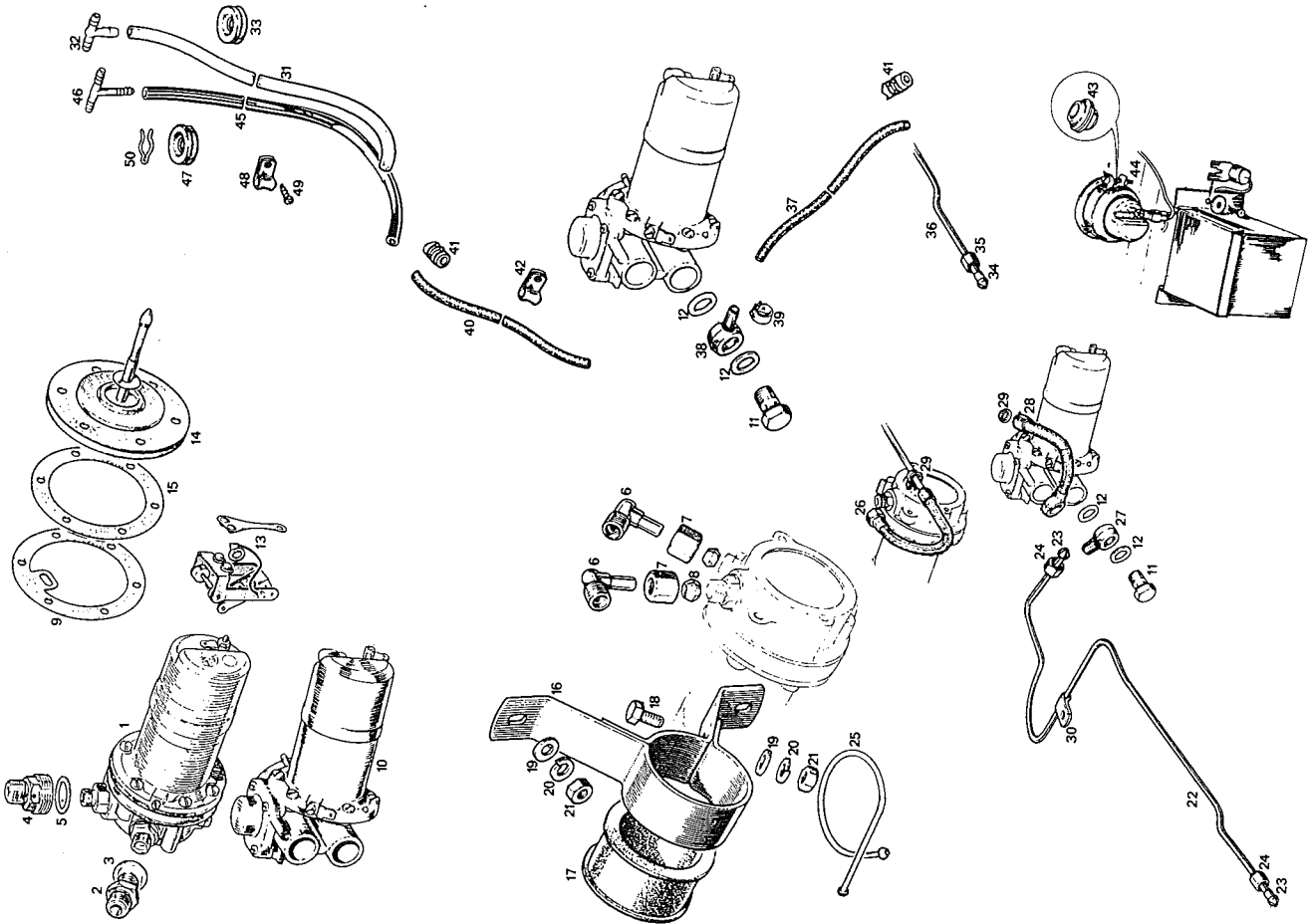
No.	Part No.	Qty.	Description	Remarks
FB001A	AZX1332	1	Positive Earth Fuel Pump	Standard If Required
FB001B	AZX1331	1	Negative Earth Fuel Pump	
FB002	AUA887	1	Inlet Union	
FB003	AUA1405	1	Inlet Union Seal	
FB004	AUA1422	1	Outlet Union	
FB005	AUA1442	1	Outlet Union Seal	
FB006	AUA1478	2	Fuel Pump Elbow	
FB007	AAA17	2	Elbow Nut	
FB008	AUA1486	2	Olive	
FB009	AUA4082	1	Pump Base Gasket	

Fuel Pump, Roadsters GHN3 44439 On & All GT's ('64-On)

FB010A	AZX1318	1	Positive Earth Fuel Pump	('64-'68) Dynamo Model ('68-On) Alternator Model
FB010B	AZX1307	1	Negative Earth Fuel Pump	
FB011	AUC2698	2	Banjo Bolt	
FB012	AUC2141	4	Sealing Washer	

All Models

FB013	AUB6106A	1	Point Set
FB014	WZX1710	1	Pump Diaphragm Kit with Gasket
FB015	AUB809	1	Diaphragm Gasket



Section FB Continued

Fuel Pump & Fixings

Pump Fixings Chrome Bumper ('62-74)

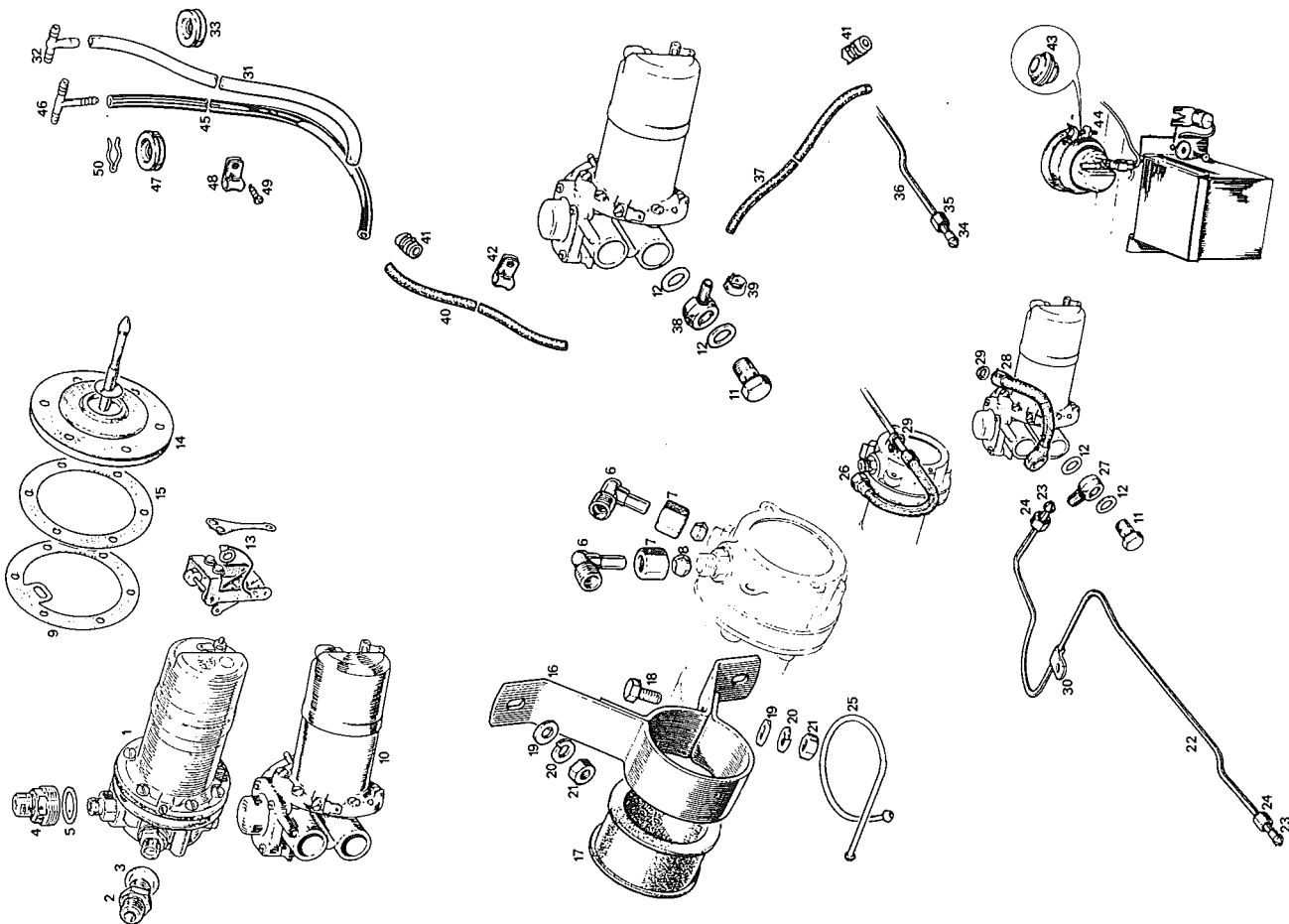
No.	Part No.	Qty.	Description	Remarks
FB016	AHH6709	1	Fuel Pump Bracket	Components Of 22
FB017	AHH6708	1	Support Rubber	
FB018	SH604051	1	Clamping Screw	
FB019	GHF300	3	Flat Washer	
FB020	GHF331	3	Spring Washer	
FB021	GHF200	3	Nut	
FB022	AHH6703	1	Pump To Tank Pipe	
FB023	AHH5383A	2	Olive	
FB024	AHH5385	2	Nut	
FB025	37H7149M	A/R	Metal Fuel Pipe	
FB026	AHH6896	1	Petroflex, Pump To Feed Pipe	Up to GHN3 44438
FB027	AUC1833	1	Inlet Banjo Union	From GHN3 44439
FB028A	AHH7371	1	Petroflex, Pump To Feed Pipe	From GHN/D4 140611
FB029A	ACH5854	1	Clip	
FB030A	PCR509	1	Clip To Boot Floor	
FB031	GWV202M	24"	1/4" O/D Cap Breather Hose	
FB032	BHA4752	1	T' Piece	
FB033	RFR104	1	Grommet	

Pump Fixings Rubber Bumper

FB028B	AHH7371	2	Petroflex, (Pump To Pipe)	Up to GHN/D5 415000 ('74-76)
FB029B	ACH5854	2	Clip	
FB030B	PCR509	1	Clip To Boot Floor	
FB034	AHH5383A	1	Olive	
FB035	AHH5385	1	Nut	
FB036	37H7149M	14"	Metal Fuel Pipe	
FB037	CDU2283M	22"	Fuel Hose, (Sender Unit To Pump)	
FB038	BHH1940	2	Banjo Union	
FB039	AAU1711	2	Clip (Banjo Union To Fuel Hose)	
FB040	BHH1789	8"	Fuel Hose (Pump To Main Feed)	
FB041A	UKC3794	A/R	Fuel Hose Clip (Blue) 7/16" I Dia	GHN/D5 415001 On ('77-On)
FB041B	UKC3793	A/R	Fuel Hose Clip (Green) 3/8" I Dia	
FB042	PCR809	A/R	Clip To Boot Floor	
FB043	BHH1635	1	Support Rubber	
FB044	GHC1622	1	Locating Clamp	

All Models From GHN/D3 115926 ('67-On)

FB045	GWV201M	28"	3/16" Dia. O/D Body Breather Hose
FB046	GWV404	1	T' Piece
FB047	RFR104	1	Grommet
FB048	PCR407	1	Fixing Clip
FB049	AB610041	1	Screw
FB050	BD19573	1	Locating Clip



Section FC

Fuel Lines & Fittings, Fuel Pump To SU Twin Carburetors

TYPE A ('62-'68) Up to GHN4 187210, GHD4 187840

No.	Part No.	Qty.	Description	Remarks
FC001	AHH6995	1	Pump To Bulkhead Pipe	
FC002	CP105081		Pipe To Bulkhead Clip	
FC003	PCR509	3	Pipe To Floor Clip	
FC004	GHF331	3	Spring Washer	
FC005	GHF200	3	Nut	
FC006	AHH6707	1	Feed Hose To 'T' Piece	
FC007	GGT101	1	'T' Piece To Rear Carb Hose	
FC008	12H722	1	'T' Piece To Front Carb Hose	
FC009	12H889	1	'T' Piece	
FC010	12H1001	2	Hose Support Clip	
FC011	ACH5854	5	Clip	
FC012	37H7148M	15'	Overflow Pipe	
FC013	AHH9950	2	Overflow Connection	
FC014	88G308	4	Clip	
FC015	12H853	2	Retaining Clip	
FC016	SH605041	1	Screw	
FC017	GHF331	1	Spring Washer	
FC018	AHH7382	1	Overflow Pipe Bracket	
FC019	AHH7355	1	Clip	
FC020	GHF306	1	Flat Washer	
FC021	GHF331	1	Spring Washer	
FC022	GHF206	1	Nut	

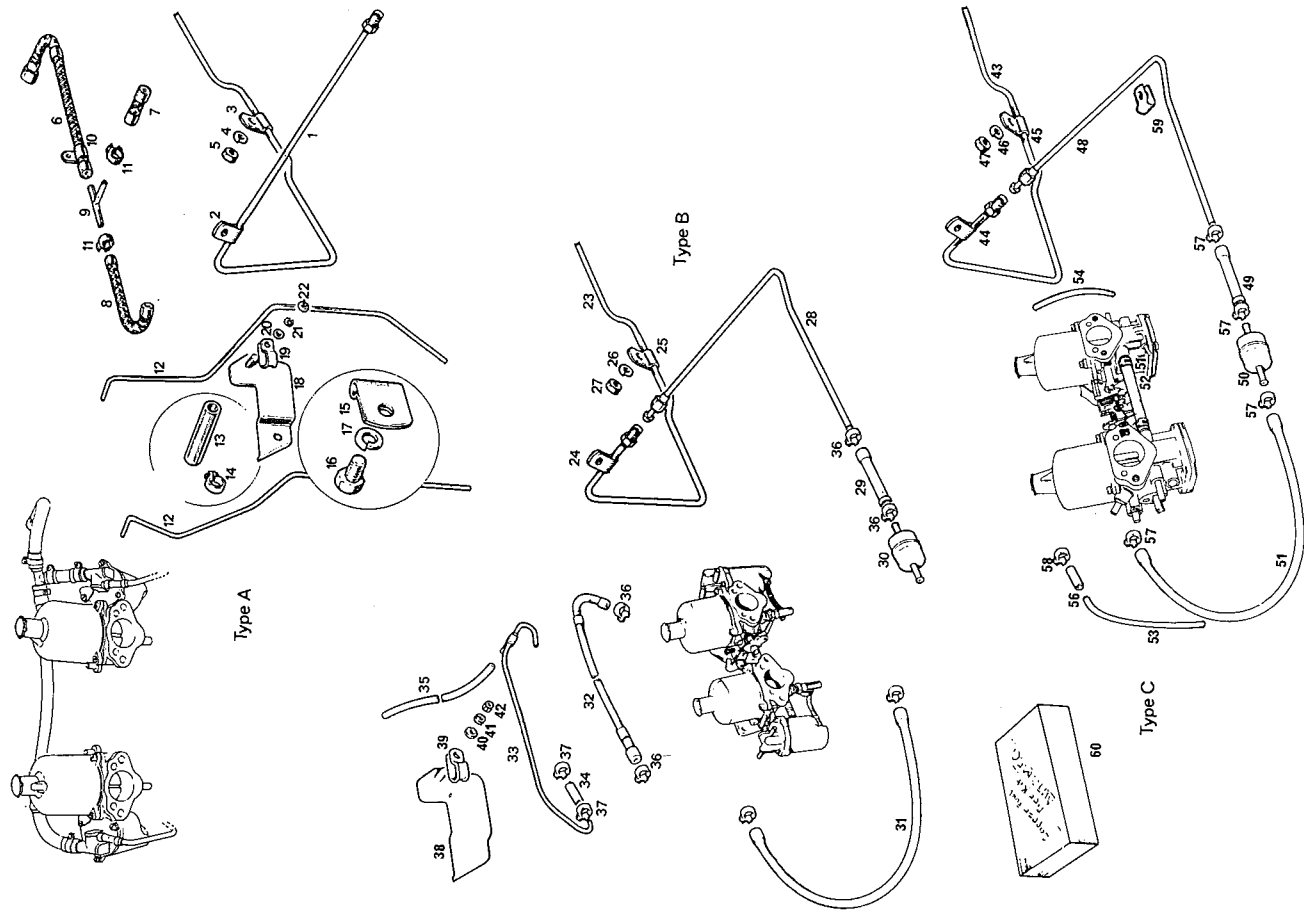
Sold Per Metre

Up to GHN3 34079 ('62-'64)

GHN3 34080 On ('64-'68)

TYPE B ('68-'72) HS Carburetors

FC023	AHH6995	1	Pump To Bulkhead Pipe
FC024	CP105081	1	Pipe To Bulkhead Clip
FC025	PCR509	3	Pipe To Floor Clip
FC026	GHF331	3	Spring Washer
FC027	GHF200	3	Nut
FC028	BHH135	1	Bulkhead To Filter Pipe
FC029	GGT101	1	Pipe To Filter Hose
FC030	BHA4952	1	Fuel Filter
FC031	37H7615M	1	Filter To Front Carb Hose
FC032	37H7615M	1	Carb To Carb Hose
FC033	12H1251	1	Overflow Pipe, Front Carburettor
FC034	12H1252	1	Overflow Pipe, Rear Carburettor
FC035	AHH9950	2	Overflow Connection
FC036	ACH5854	6	Clip
FC037	88G308	4	Clip
FC038	AHH7382	1	Bracket, Overflow Pipe
FC039	AHH7355	1	Clip, Overflow Pipe
FC040	GHF306	1	Flat Washer
FC041	GHF331	1	Spring Washer
FC042	GHF206	1	Nut



Section FC Continued

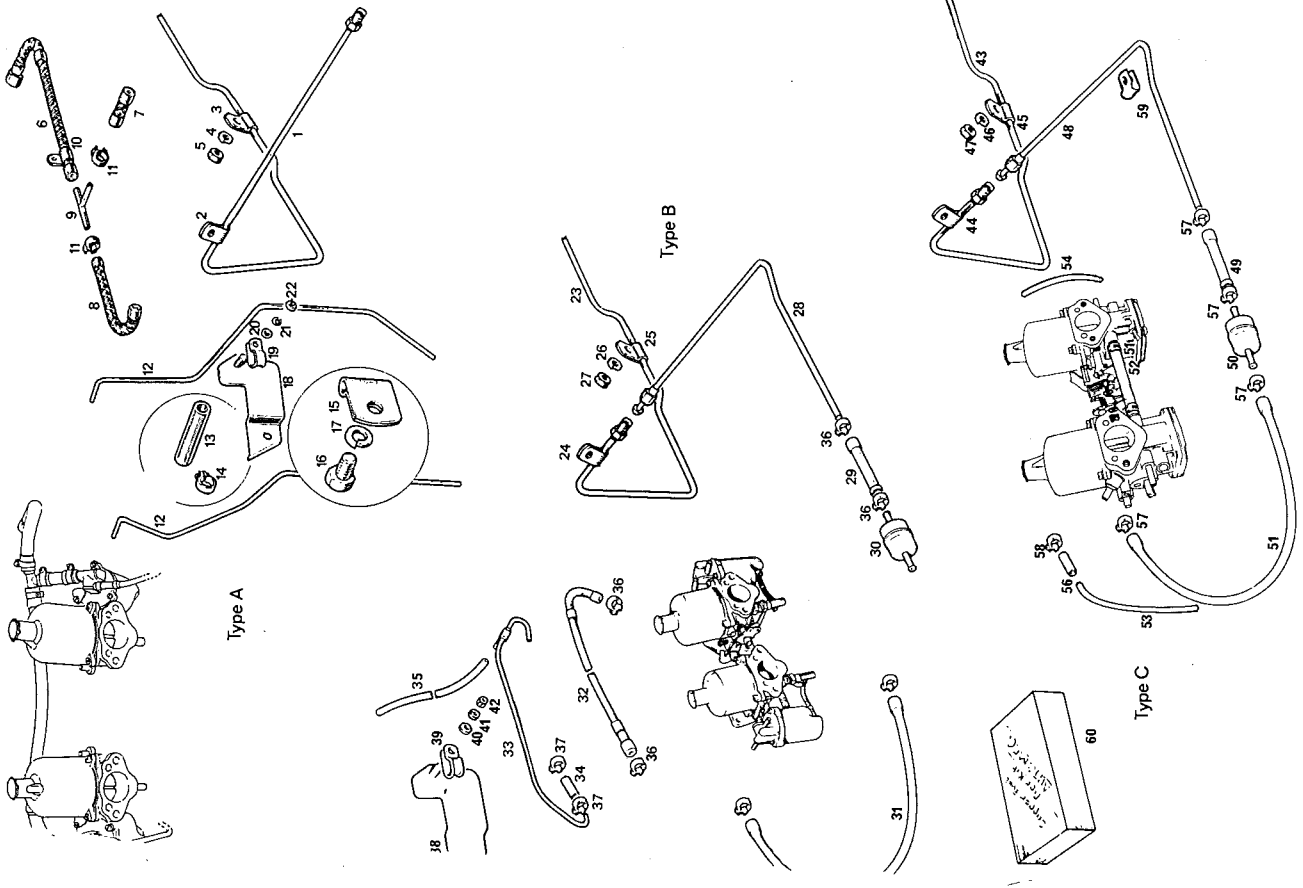
Fuel Lines & Fittings, fuel Pump To SU Twin Carburetors

TYPE C (72-On) HIF Carburetors

No.	Part No.	Qty.	Description	Remarks
FC043	AHH6995	1	Pump To Bulkhead Pipe	Up to GHN5 294250 Up to GHD5 296000 GHN5 294251 On GHD5 296001 On
FC044	CP105081	1	Pipe To Bulkhead Clip	
FC045	PCR509	3	Pipe To Floor Clip	
FC046	GHF331	3	Spring Washer	
FC047	GHF200	3	Nut	
FC048	BHH135	1	Bulkhead To Filter Pipe	Chrome Bumper Models bolts to control bracket on LH engine mounting. Rubber Bumper Models bolts to fuel pump blanking plate on engine block.
FC049	GGT101	1	Pipe To Filter Hose	
FC050	BHA4952	1	Fuel Filter	
FC051	BHH641	1	Filter To Front Carb Hose	
FC052A	BHH642	1	Carb To Carb Hose	
FC052B	37H7615M	1	Carb To Carb Hose	1976 On
FC053	12H1251	1	Overflow Pipe, Front carb	
FC054	12H1252	1	Overflow Pipe, Rear carb	
FC055	AHH7355	1	Overflow Pipe Retaining Clip	
FC056	AHH9950	2	Overflow Connection	
FC057A	UKC3793	A/R	Pipe Clip, Green, 3/8" I Dia	HS4 Carburetors 62-64 HS4 Carburetors 64-73 HIF Carburetors 74-76 HIF Carburetors 77 on
FC057B	UKC3794	A/R	Pipe Clip, Blue, 7/16" I Dia	
FC057C	UKC3795	A/R	Pipe Clip, Black, 1/2" I Dia	
FC057D	ACH5854	A/R	Pipe Clip. (use with 52A)	
FC058	88G308	4	Clip, Overflow pipe to Hose	
FC059	150930	1	Clip, pipe to LH bulkhead shelf	

Fuel Line Kits (contain all Hoses, Connections and Copper Pipes required)

FC060A	HFFK1X	1	Fuel Line Kit, Chrome Bumper
FC060B	HFFK1	1	Fuel Line Kit, Chrome Bumper
FC060C	HFFK3	1	Fuel Line Kit, Chrome/Rubber
FC060D	HFFK2	1	Fuel Line Kit, Rubber Bumper



Section GA

(62-72) Non Collapsible Steering Column

No.	Part No.	Qty.	Description	Remarks
GA001A	17H6577	1	Inner Column] Std Without Steering Lock
GA002A	17H6578	1	Outer Column	
GA001B	7H6972	1	Inner Column] Optional - with Steering Lock
GA002B	7H6969	1	Outer Column	
GA003	GSV1095	1	Upper Bush] Without Steering Lock
GA004	17H6565	1	Lower Bush	
GA005	13H569	1	Lower Bush] With Steering Lock
GA006	13H568	1	Bush Clip	
GA007	AHH6311	1	Lower Bracket	
GA008	AHH6312	1	Blanking Plate	
GA009	GHF332	2	Spring Washer	
GA010	GHF201	2	Nut	
GA011	AHH6005	2	Clamp	
GA012	AHH6006	2	Spacer	
GA013	BH605181	2	Clamp Bolt	
GA014	GHF301	2	Flat Washer	
GA015	GHF332	2	Spring Washer	
GA016	GHF201	2	Nut	
GA017	AHA5435	1	Column to Bulkhead Seal] Up to GHN/D4 187210] GHN/D5 187211 on
GA018	AHA8752	1	Indicator Switch Striker	
GA019	BHH254	1	Indicator Switch Striker	

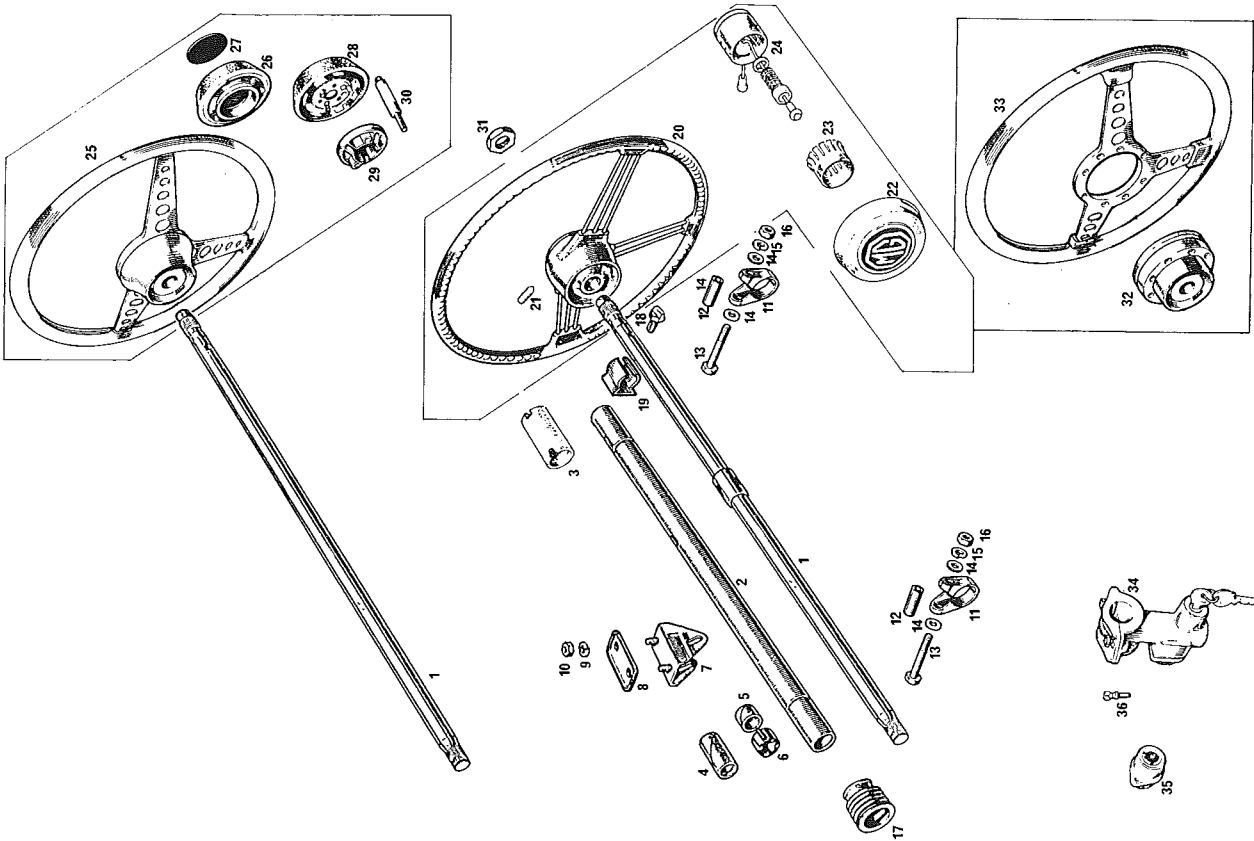
GHN/D5 258000

Steering Wheel - Up to Chassis No. 187210 (62-69)

GA020	AHH9284	1	Steering Wheel
GA021	53K2613	3	Screw Hornpush
GA022	AHH6319	1	Hornpush Assembly
GA023	27H5401	1	Slip Ring
GA024	7H6903	1	Rotor Assembly

Steering Wheel - Chassis No. 187211 to 258000 (70-72)

GA025A	BHH111	1	Steering Wheel] Horn on Indicator Stalk] Horn in Wheel Centre
GA025B	BHH291	1	Steering Wheel	
GA026	31G1039	1	Centre Pad] Horn on Indicator Stalk] GHN/D5 187221-219000
GA027	BHA4979	1	Centre Pad Badge	
GA028	BHA5043	1	Hornpush - Black] Horn in Wheel Centre] GHN/D5 219001-258000
GA029	BHA5042	1	Slip Ring	
GA030	BHA5041	1	Horn Brush (Pencil type)	
GA031	ACH6001	1	Wheel Retaining Nut	

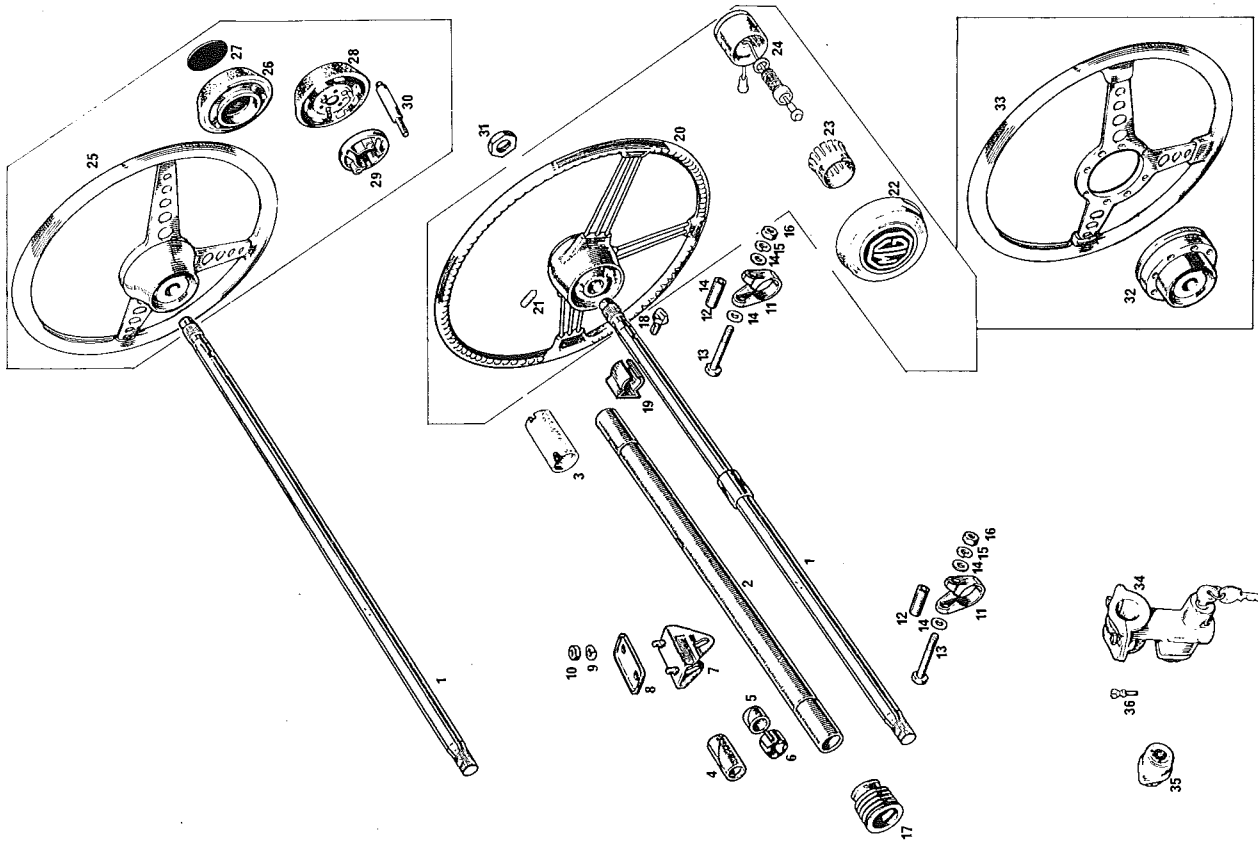


Section GA Continued

(62-72) Non Collapsible Steering Column

Moto Lita Steering Wheels

No.	Part No.	Qty.	Description	Remarks	
GA032A	MLW1117B25	1	Moto Lita Wheel Boss	All Moto Lita wheels are available with a choice of diameter 13", 14" or 15". Please state preference when ordering, by writing -13, -14 or -15 after the part no. of the style of wheel required.	
GA032B	MLW111725B	1	Moto Lita Wheel Boss		
GA033A	MLW1111	1	Steering Wheel, polished spokes, flat, with leather rim		
GA033B	MLW1112	1	Steering Wheel, Black spokes, flat, with leather rim		
GA033C	MLW1113	1	Steering Wheel, polished spokes, dished, with leather rim		
GA033D	MLW1114	1	Steering Wheel, Black spokes, dished, with leather rim		
GA033E	MLW1115	1	Steering Wheel, flat spokes, wooden rim		
GA033F	MLW1116	1	Steering Wheel, dished spokes, wooden rim		
Optional Steering Lock					Suitable Replacement Not original style To fit original lock To fit BMK2259
GA034A	BHA5215	1	Steering Lock Assembly		
GA034B	BMK2259A	1	Steering Lock Assembly		
GA035A	37H7708	1	Ignition Switch		
GA035A	37H5934	1	Ignition Switch		
GA036	51K4001	2	Shear bolt		

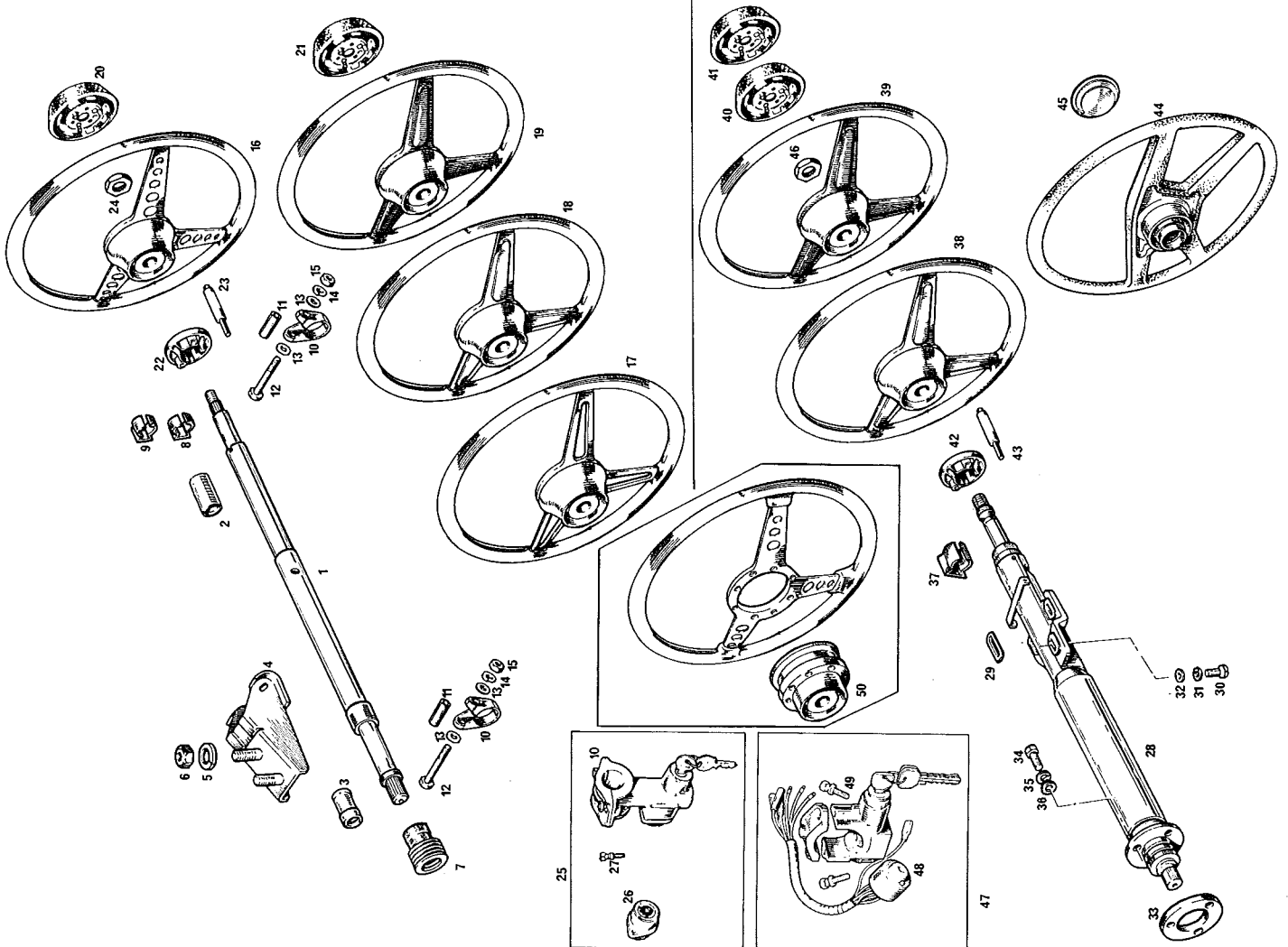


Section GB

Collapsible Steering Columns (72 On)

Chrome Bumper

No.	Part No.	Qty.	Description	Remarks
GB001	BHH515	1	Steering Column	
GB002	MGP1050B	1	Upper Bush	
GB003	MGP1051	1	Lower Bush	
GB004	BHH516	1	Lower Bracket	
GB005	GHF332	2	Spring Washer	
GB006	GHF201	2	Nut	
GB007	BHH531	1	Column to Bulkhead Seal	GHN/D5 258001-320146
GB008	BHH254	1	Indicator Switch Striker	GHN/D5 320147-360301
GB009	BHH1301	1	Indicator Switch Striker	
GB010	AHH6005	2	Clamp	
GB011	AHH6006	2	Spacer	
GB012	BH605181	2	Clamp Bolt	
GB013	GHF301	4	Flat Washer	
GB014	GHF332	2	Spring Washer	
GB015	GHF201	2	Nut	
GB016	BHH291	1	Steering Wheel - Stamped holes	GHN/D5 258001-296000
GB017	BHH786	1	Steering Wheel - Stamped slots	GHN/D5 296001-320146
GB018	BHH1307	1	Steering Wheel embossed slots, polished	GHN/D5 320146-360301
GB019	BHH1813	1	Steering Wheel embossed slots black, Alternative	GHN/D5 320147-360301
GB020	BHA5135	1	Horn Push (Red badge)	GHN/D5 258001-360301
GB021	BHA5043	1	Horn Push (Black badge)	
GB022	BHA5042	1	Alternative	
GB023	BHA5041	1	Slip Ring	
GB024	BHH2103	1	Horn Brush (Pencil type)	
GB025A	BHA5215	1	Wheel Retaining Nut	
GB025B	BMK2259A	1	Steering Lock Assembly	Suitable Replacement Lock Not original style To fit original Lock To fit BMK2259
GB026A	37H7708	1	Steering Lock Assembly	
GB026B	37H5934	1	Ignition Switch	
GB027	51K4001	2	Ignition Switch Shear Bolt	



Section GB Continued

Collapsible Steering Columns (72 On)

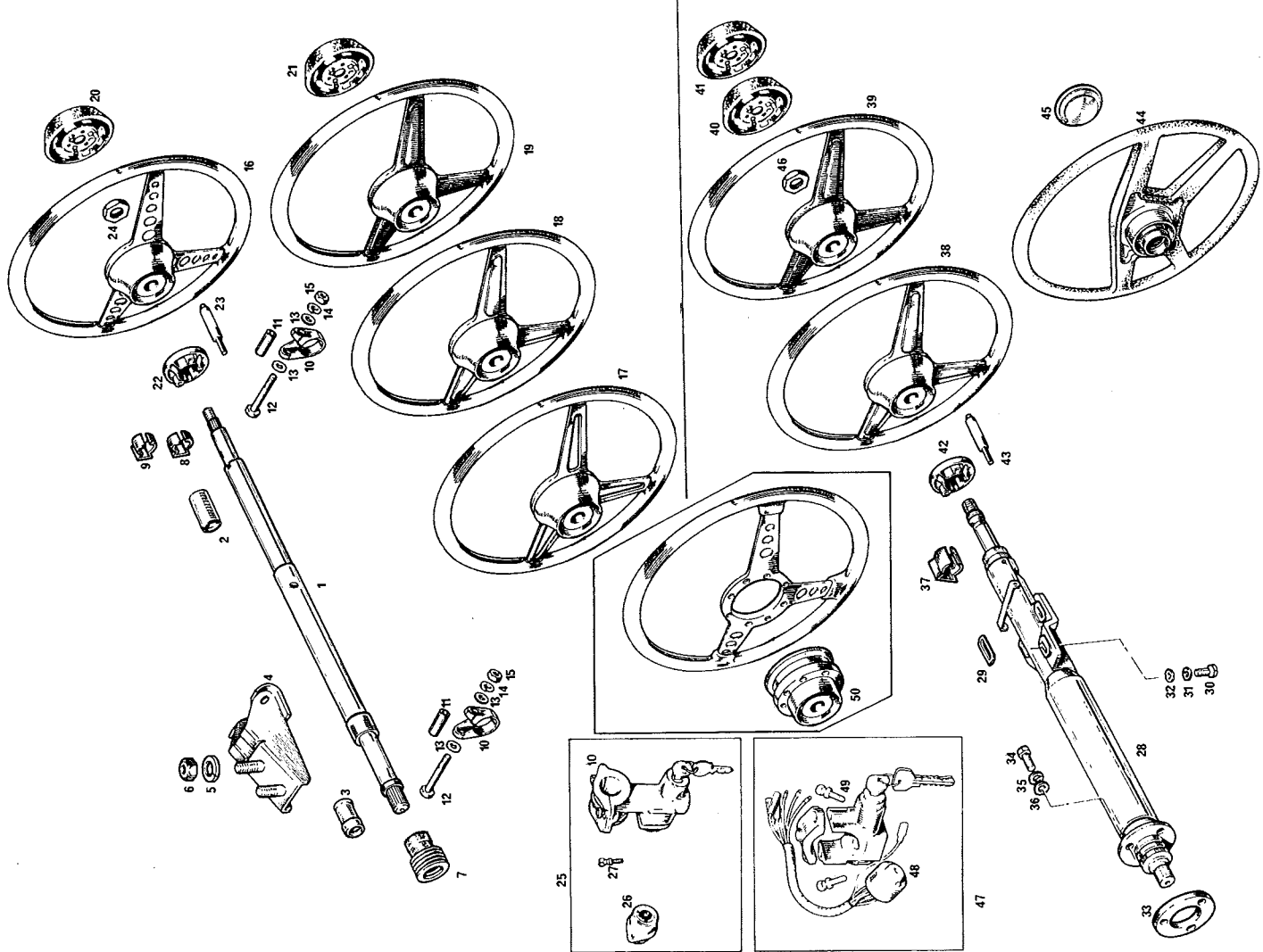
Rubber Bumper

No.	Part No.	Qty.	Description	Remarks
GB028A	BHH1596	1	Steering Column	Up to GHN/D5 410000
GB028B	BHH1856	1	Steering Column	
GB029	AHH8695	3	Spacer	GHN/D5 410000 On
GB030	SH606101	3	Screw	
GB031	GHF333	3	Spring Washer	Up to GHN/D5 410000
GB032	PWZ206	3	Flat Washer	
GB033	AHA8720	1	Column to Bulkhead Seal	Roadsters & GT's
GB034	GHF120	3	Screw	
GB035	GHF332	3	Spring Washer	Up to GHD5 410000
GB036	GHF301	3	Flat Washer	
GB037	BHH402	1	Indicator Switch Striker	Originally fitted to 'Jubilee' only
GB038	BHH1307	1	Steering Wheel embossed slots, polished	
GB039	BHH1813	1	Steering wheel embossed slots, black	Up to GHN/D5 369259 to GHN/D5 410000
GB040	BHA5135	1	Horn Push (Red badge)	
GB041	AAU1161	1	Horn Push (Gold badge)	Up to GHN/D5 410000
GB042	BHA5042	1	Slip Ring	
GB043	BHA5041	1	Horn Brush (Pencil Type)	Up to GHN/D5 410000 On
GB044	BHH1853	1	Steering Wheel - four spokes	
GB045A	BHH1994	1	Centre Badge - Black	Up to GHN/D5 447000
GB045B	CHA747	1	Centre Badge - Black/Silver	
GB045C	BHH2687	1	Centre Badge - Red/Silver	LE Models Only
GB046	BHH2103	1	Wheel Retaining Nut	
GB047	BHM7144	1	Steering Lock Assembly	'72-'76
GB048	BHA5398	1	Ignition Switch	
GB049	51K4001	2	Shear Bolt	'76 On

Moto Lita Steering Wheels

GB050A	MLW111725C	1	Moto Lita Wheel Boss
GB050B	MLW111725D	1	Moto Lita Wheel Boss

For a full list of the wheels available, see page 70.



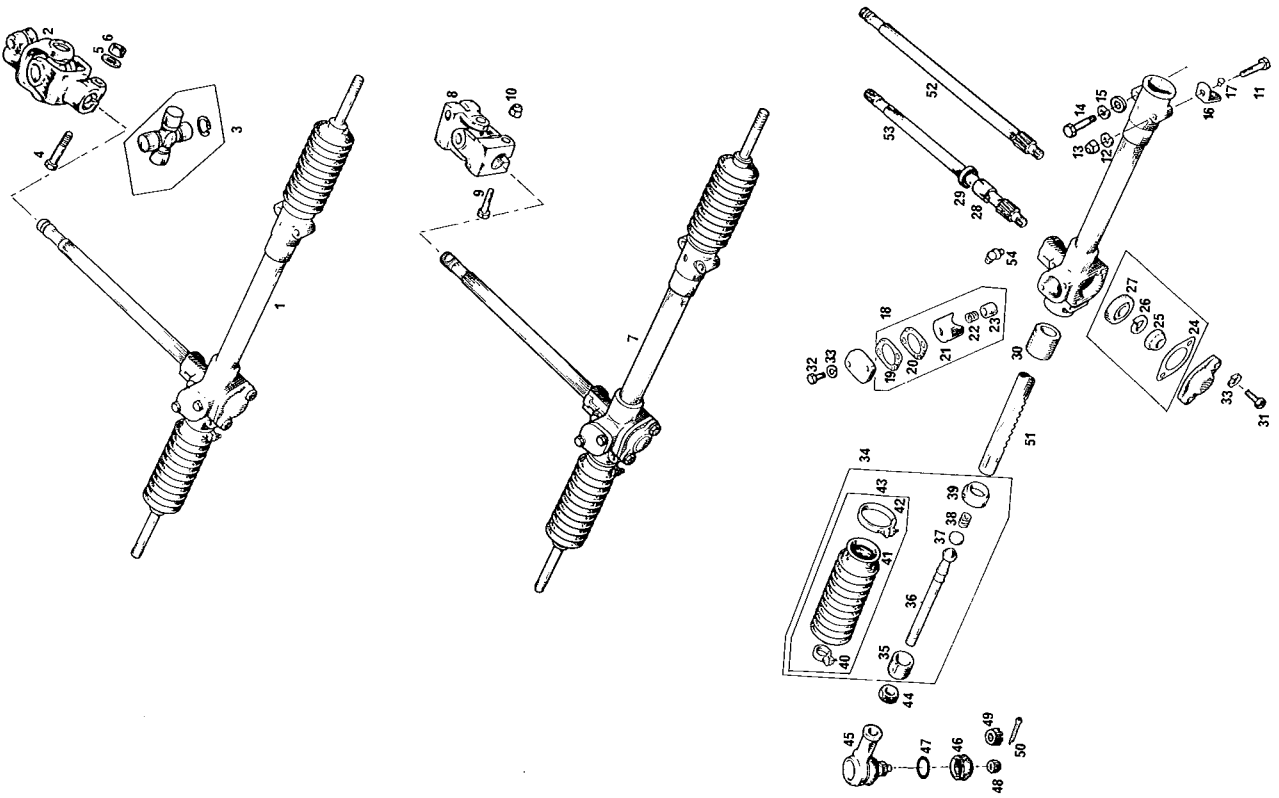
Section GC

Steering Rack Assembly

No.	Part No.	Qty.	Description	Remarks	
GC001A	GSR136	1	Steering Rack Assembly, New	Chrome Bumper ('62-'74)	
GC001B	GSR136E	1	Steering Rack Assembly, Recon		
GC001C	AHH6091BK	1	Rack Fitting Kit Inc 4 x 12, 2 x 15, 14, 13, 11		
GC002	AHH6000	1	Universal Joint Assembly		
GC003	GUJ200	1	Universal Joint Kit		
GC004	17H3839	2	Pinch Bolt		
GC005	GHF332	2	Spring Washer		
GC006	GHF201	2	Nut		
GC007A	GSR135	1	Steering Rack Assembly, New		Rubber Bumper (74-On)
GC007B	GSR135E	1	Steering Rack Assembly, Recon		
GC008	GLR3084	1	Universal Joint Assembly		
GC009	BHH1791	2	Pinch Bolt		
GC010	LNZ105	2	Stiff Nut		
GC011	BH605181	2	Front Mounting Bolt		
GC012	GHF301	4	Flat Washer		
GC013	GHF222	2	Front Nyloc Nut		
GC014	BH605161	2	Rear Bolt		
GC015	GHF332	2	Rear Spring Washer		
GC016	AHH6007	A/R	Bracket Shim		
GC017	GHF600	1	Rivet		

Steering Rack Components

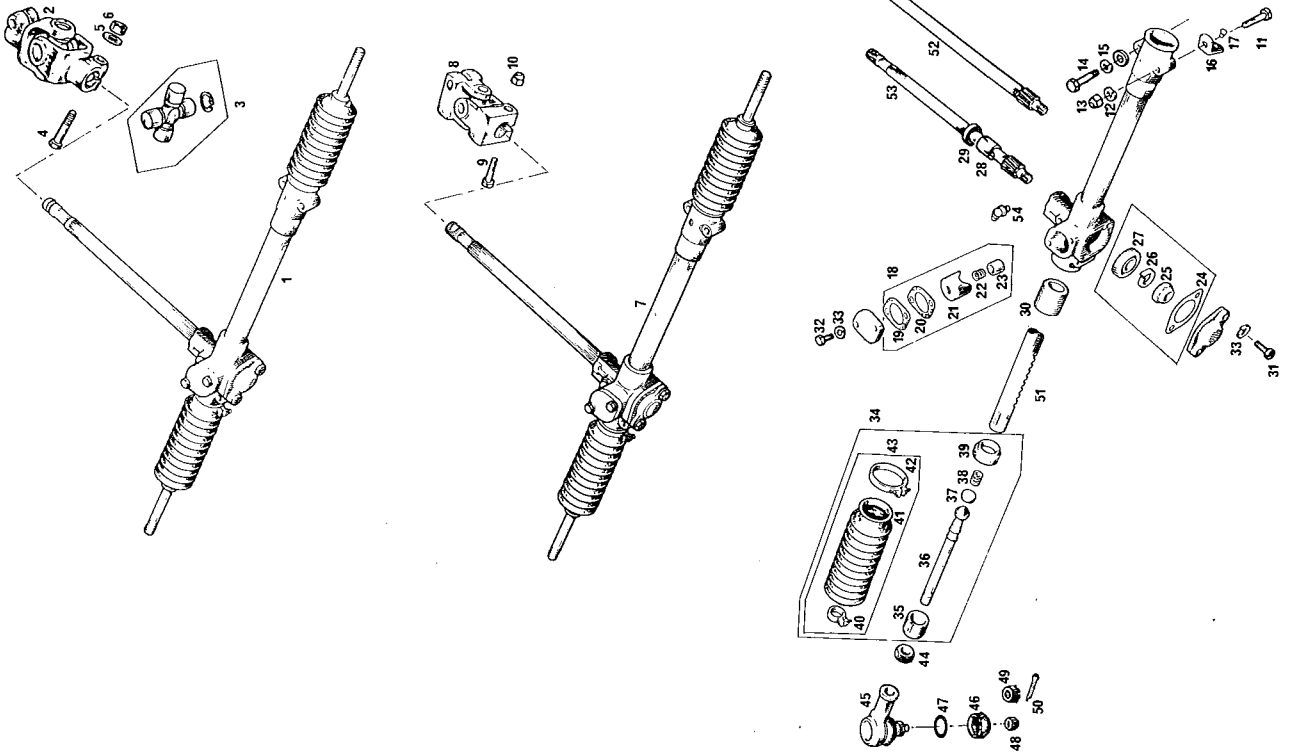
GC018	BHM7123	1	Inner Repair Kit	Contains 19-30
GC019	17H6584	1	Cover Gasket	
GC020A	17H6566	A/R	Adjusting shim 0.0024"	
GC020B	17H6567	A/R	Adjusting shim 0.005"	
GC020C	17H6568	A/R	Adjusting Shim 0.010"	
GC021	17H6582	1	Rack Support Yoke	
GC022	17H6583	1	Pad Spring	
GC023	ACA5244	1	Damper Pad	
GC024	17H6564	1	Cover Gasket	
GC025	17H6562	1	Nut	
GC026	LWZ210	1	Spring Washer	
GC027	17H6561	1	Lower Ball Bearing	
GC028	17H6579	1	Bearing Bush	
GC029	17H6560	1	Oil Seal	
GC030	17H8664	1	Rack Bearing	
GC031	SH505101	2	Lower Cover Screw	
GC032	SH505071	2	Upper Cover Screw	
GC033	GHF332	4	Spring Washer	
GC034	BHM7122	2	Outer Repair Kit	Contains 35-42
GC035	17H6573	2	Ball Housing	
GC036	17H8713	2	Track Rod	
GC037	17H6571	2	Thrust Pad	
GC038	17H6290	2	Thrust Pad Spring	
GC039	17H6574	2	Inner Lock Nut	
GC040	3H2963	2	Small Outer Clip	
GC041	17H6569	2	Rack Gaiter	
GC042	ADG1682	2	Large Inner Clip	
GC043A	GSV1155	1	BL Gaiter & Clip Kit	
GC043B	BHM7124B	1	Repro Rack Gaiter Kit	
GC044	53K320	2	Outer Lock Nut	
GC045	GSJ168	2	Track Rod End	



Section GC Continiuec

Steering Rack Assembly

No.	Part No.	Qty.	Description	Remarks
GC046	17H3501	2	Gaiter	
GC047	17H3503	2	Retainer	
GC048	GHF224	2	Nyloc Nut	Alternative to 49 & 50
GC049	NL607041	2	Castle Nut	Alternative to 48
GC050	GHF502	2	Split Pin	
GC051	17H6570	1	Rack	
GC052	17H6612	1	Chrome Bumper Pinion	('62-'74)
GC053A	37H8770	1	Rubber Bumper Pinion	('74-'76)
GC053B	37H8770X	1	Rubber Bumper Pinion	('76-On) GHNS 410001 On
GC054	UHN305	1	Grease Nipple	('62-'65) Early Models Only

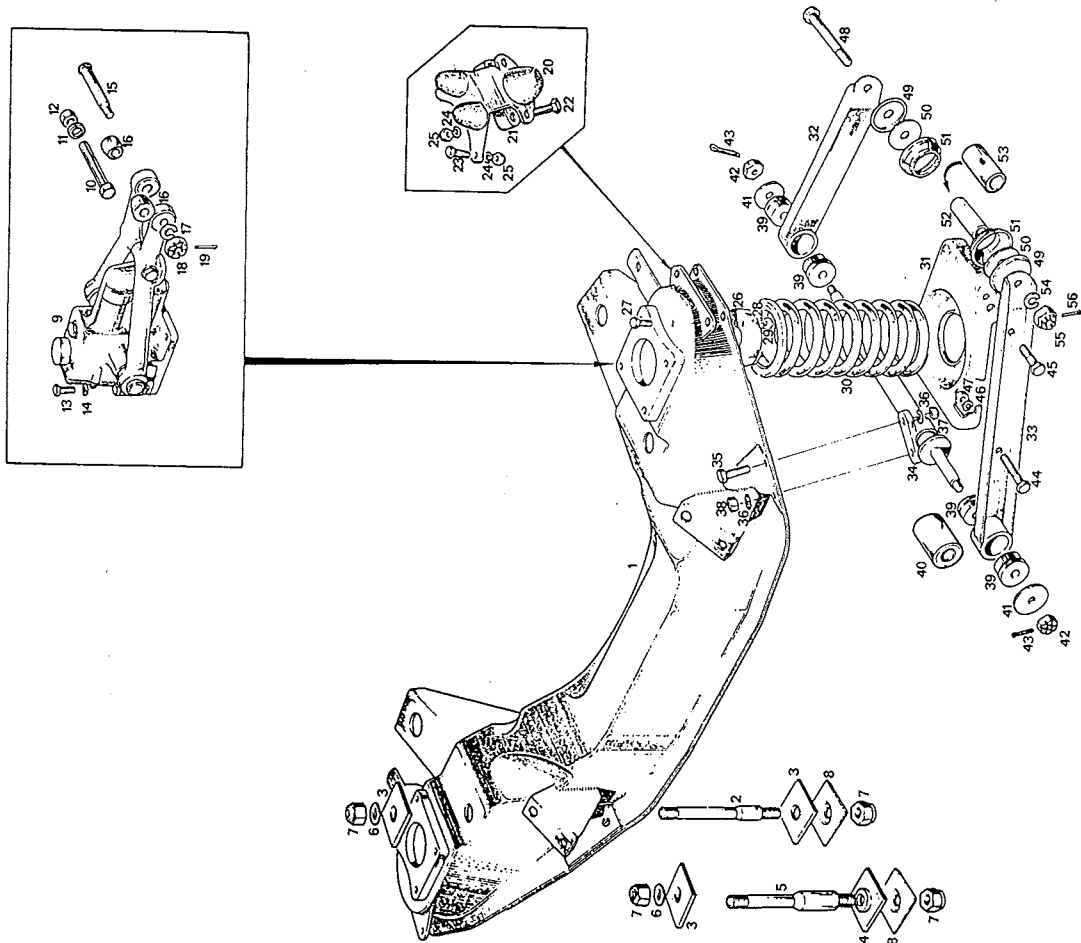


Section HA

Front Suspension & Crossmember

Chrome Bumper Models ('62-'74)

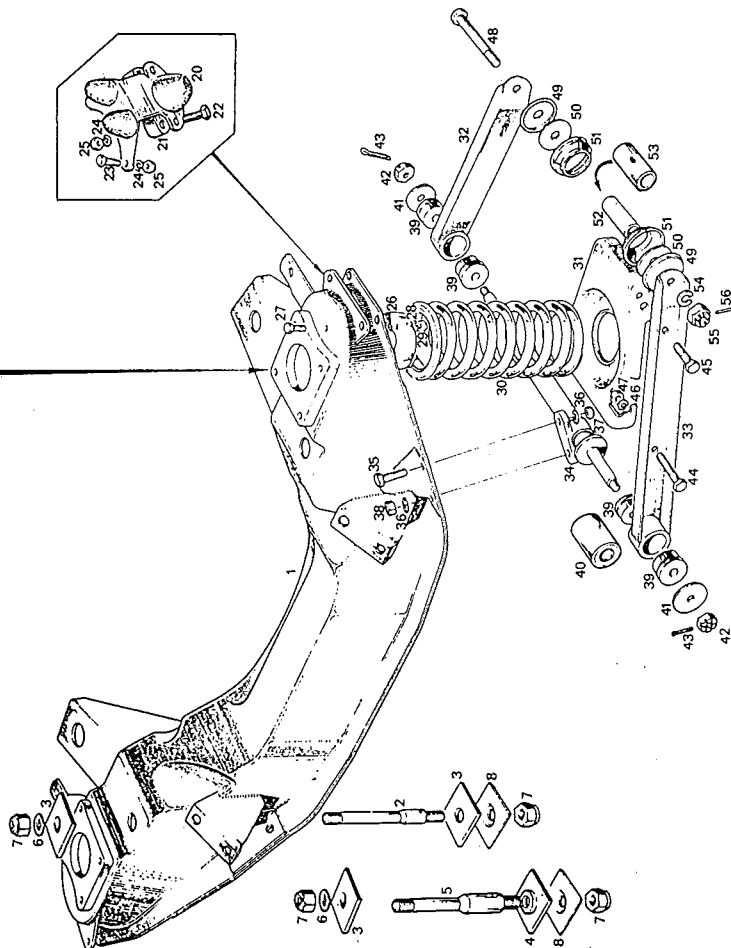
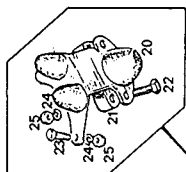
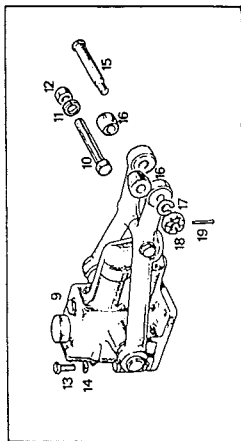
No.	Part No.	Qty.	Description	Remarks
HA001A	AHH6195	1	Front Crossmember	
HA002A	AHH6204	4	Crossmember Mounting Stud	
HA003A	AHH6205	4	Upper Mounting Pad (Lipped)	
HA003B	AHH6206	4	Lower Mounting Pad (Flat)	
Rubber Bumper Models ('74-On)				
HA001B	BHH803	1	Front Crossmember	
HA002B	AHH6204	2	Rear Mounting Stud	
HA003C	AHH6205	4	Upper Mounting Pad (Lipped)	
HA003D	AHH6206	2	Lower Rear Pad (Flat)	
HA004	AHH6205	2	Lower Front Pad (Lipped)	
HA005	BHH805	2	Front Mounting Stud	
All Models				
HA006	GHF304	4	Flat Washer	
HA007	LNZ108	8	Stiff Nut	
HA008	AHH6207	4	Lower Clamp Plate	
HA009A	GSA119	2	Front Shock Absorber, New	
HA009B	GSA119E	2	Front Shock Absorber, Reconditioned	
HA010	BH606281	2	Top Arm Clamp Bolt	
HA011	GHF333	2	Spring Washer	
HA012	GHF202	2	Nut	
HA013A	53K1025	8	Shock Absorber Mounting Bolt	Chrome Bumper
HA013B	BTB198	8	Shock Absorber Mounting Bolt	Rubber Bumper
HA014	GHF333	8	Spring Washer	
HA015	1G4349	2	Top Fulcrum Pin	
HA016	8G621	4	Top Fulcrum Bush	
HA017	GHF334	2	Spring Washer	
HA018	NL607041	2	Castle Nut	
HA019	GHF502	2	Split Pin	
HA020	AHH6514	2	Rebound Buffer	
HA021	AAA5024	2	Distance Block	
HA022	GHF104	4	Spacer Bolt	
HA023	SH605061	4	Buffer Screw	
HA024	GHF332	8	Spring Washer	
HA025	GHF201	8	Nut	



Section HA Continued

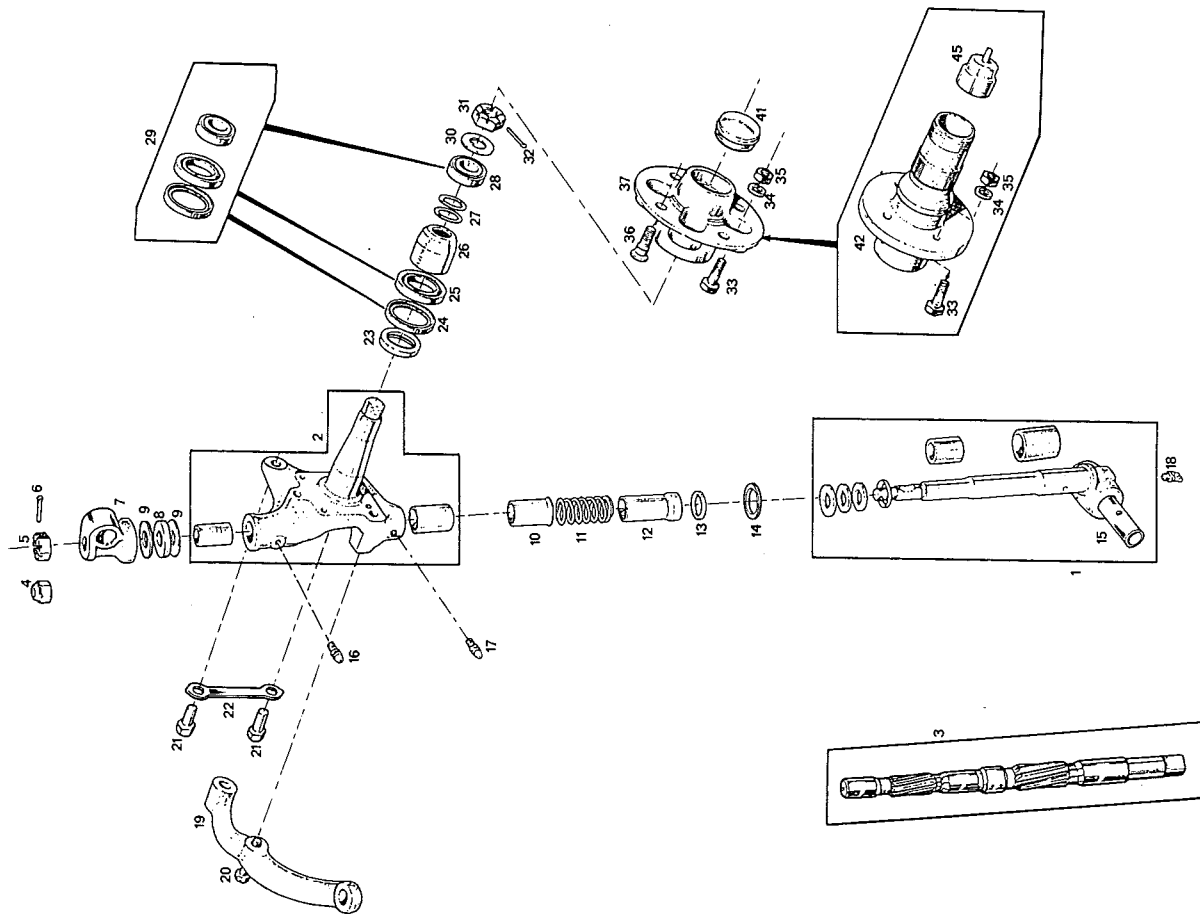
Front Suspension & Crossmember

No.	Part No.	Qty.	Description	Remarks
HA026	AHH5897	2	Locating Plate	
HA027	SH604051	4	Screw	
HA028	GHF331	4	Spring Washer	
HA029	GHF200	4	Nut	
HA030A	AHH6451	2	Roadster Coil Spring	(62-72) Up to GHN5 293445
HA030B	BHH1225	2	Roadster Coil Spring	(72-On) GHN5 293446 On
HA030C	BHH1077	2	GT Coil Spring	(65-74) Chrome Bumper
HA030D	BHH1225	2	GT Coil Spring	(75 On) Rubber Bumper
HA031A	AHH5925	2	Spring Pan	
HA031B	AHH5925BK	2	Spring Pan Fitting Kit	
HA032	AAA1326	2	Rear Wishbone Arm	Inc 2 x 44,45, 4 x 46,47
HA033A	AAA1326	2	Front Wishbone Arm	No Anti Roll Bar Fitted
HA033B	AHH5927	1	RH Front Wishbone Arm	When Anti Roll Bar Fitted
HA033C	AHH5929	1	LH Front Wishbone Arm	When Anti Roll Bar Fitted
HA034	AHH4003	2	Inner Wishbone Pivot	
HA035	ACB5255	8	Pivot Locating Bolt	
HA036	GHF333	8	Spring Washer	
HA037	LNZ106	4	Outer Nut	
HA038	FNZ506	4	Inner Nut	
HA039	AHH7933	8	Inner Wishbone Bush	
HA040	BHH1123	4	Competition Wishbone Bush	
HA041	AAA1330	4	Flat Locating Washer	
HA042	NL608041	4	Castle Nut	
HA043	GHF504	4	Split Pin	
HA044	GHF103	4	Inner Screw	
HA045	SH605071	4/2	Outer Screw	Qty. Reduced
HA046	GHF332	8/6	Spring Washer	When
HA047	GHF201	8/6	Nut	Anti Roll Bar Fitted
HA048	AHH4001	2	Lower Outer Pivot Bolt	
HA049	AAA1324	4	Dust Seal Support	
HA050	AAA1390	4	Thrust Washer	
HA051	AAA1323	4	Dust Seal	
HA052	BHH1773	2	Distance Tube	
HA053	BTB768	2	Fulcrum Bush	
HA054	GHF335	2	Spring Washer	
HA055	ND608041	2	Castle Nut	
HA056	GHF504	2	Split Pin	



Section HB

Swivels, Front Hubs & Bearings



No.	Part No.	Qty.	Description	Remarks
HB001A	GSJ231	2	King Pin Kit with Bushes	O.E. with (15) Reamed Contains 2 x Repro (1A) See * on next page for contents
HB001B	OHQP650TC	1	Repro King Pin with Bushes	
HB001C	OHQSK156S	1	Major Overhaul Kit	
HB002A	BTB765	1	LH Stub Axle with Bushes	
HB002B	BTB764	1	RH Stub Axle with Bushes	Each Recon Stub Axle is fitted with new reamed bushes, king pin, all thrusts and shims and top nut NB. Trunnion (no.7) not included As 2C & 2D, but including top trunnion
HB002C	BTB765E	1	LH Stub Axle (Recon)	
HB002D	BTB764E	1	RH Stub Axle (Recon)	
HB002E	BTB765CE	1	LH Stub Axle (Recon)	
HB002F	BTB764CE	1	RH Stub Axle (Recon)	Use With Repro Pin (1B) Use With O.E. Pin (1A)
HB003	18G597	1	King Pin Bush Reamer	
HB004	53K1667	2	Top Stiff Nut	Selective
HB005	ATC4249A	2	Top Castle Nut	
HB006	GHF505	2	Split Pin	Contains 10, 11 & 12A
HB007	GSJ283	2	Top Trunnion Block	
HB008	ATC4264	2	Bronze Thrust Washer	
HB009A	ATC4261	A/R	Thrust Shim 0.055"	
HB009B	ATC4262	A/R	Thrust Shim 0.060"	
HB009C	ATC4263	A/R	Thrust Shim 0.065"	
HB010	1G4271	2	Upper Dust Tube	
HB011	2K8951	2	Locating Spring	
HB012A	21B251	2	lower Dust Tube	
HB012B	21B251K	2	Dust Tube Kit	
HB013	21B252	2	Dust Tube Seal	
HB014	TRS1620	2	Lower Stub Axle Seal	
HB015	BTB768	2	Lower Fulcrum Bush	Ream After Fitting Upper Lower
HB016	UHN400	2	Straight Grease Nipple	
HB017	549229A	2	Straight Grease Nipple 45deg. Grease Nipple	Selective
HB018	UHN445	2	LH Steering Arm	
HB019A	BTB397	1	RH Steering Arm	
HB019B	BTB396	1	Steering Arm Bolt	
HB020	BTB410	4	Caliper Bolt	
HB021	ATB4074	4	Caliper Lock Tab	
HB022	BTC114	2	Distance Spacer	
HB023	BTB183	2	Oil Seal	
HB024	GHS101	2	Inner Bearing	
HB025	GHB105	2	Bearing Spacer	
HB026	88G484	2	Shim 0.003"	
HB027A	ATB4240	A/R	Shim 0.005"	
HB027B	ATB4241	A/R	Shim 0.010"	
HB027C	ATB4242	A/R	Shim 0.030"	
HB027D	BTB656	2	Outer Wheel Bearing	Contains 24, 25 & 28
HB028	GHB102	2	Wheel Bearing Kit	
HB029	GHK1005	2	Locating Washer	
HB030	1A4742	2	Castle Nut	
HB031	53K330	2	Split Pin	
HB032	GHF505	2	Split Pin	

Section HB Continued

Swivels, Front Hubs & Bearings

No.	Part No.	Qty.	Description	Remarks
-----	----------	------	-------------	---------

HB033	BTB198	8	Brake Disc Bolt	
HB034	GHF333	8	Spring Washer	
HB035	FNZ506	8	Nut	

Steel & Alloy Wheel Models

HB036A	BTB187	8	Wheel Stud	Up to GHN/D5 490636 GHN/D5 490637 On
HB036B	BTB229	8	Wheel Stud	
HB037	DAM4121	2	Front Hub	
HB038	2A4067	2	Grease Cap	

Centre Lock Wire Wheel Models Only

HB039A	BTB347	1	LH Splined Hub 12 T.P.I.	('62-'64) Roadsters Only Up to GHN3 30850
HB039B	BTB346	1	RH Splined Hub 12 T.P.I.	
HB039C	BTB731	1	LH Splined Hub 8 T.P.I.	('64-On) All models GHN3 30851 On
HB039D	BTB730	1	RH Splined Hub 8 T.P.I.	
HB041	BTC392	2	Grease Cap	

**REMEMBER:- RH Hubs and Knock-Ons have LH Threads
LH Hubs and Knock-Ons have RH Threads**

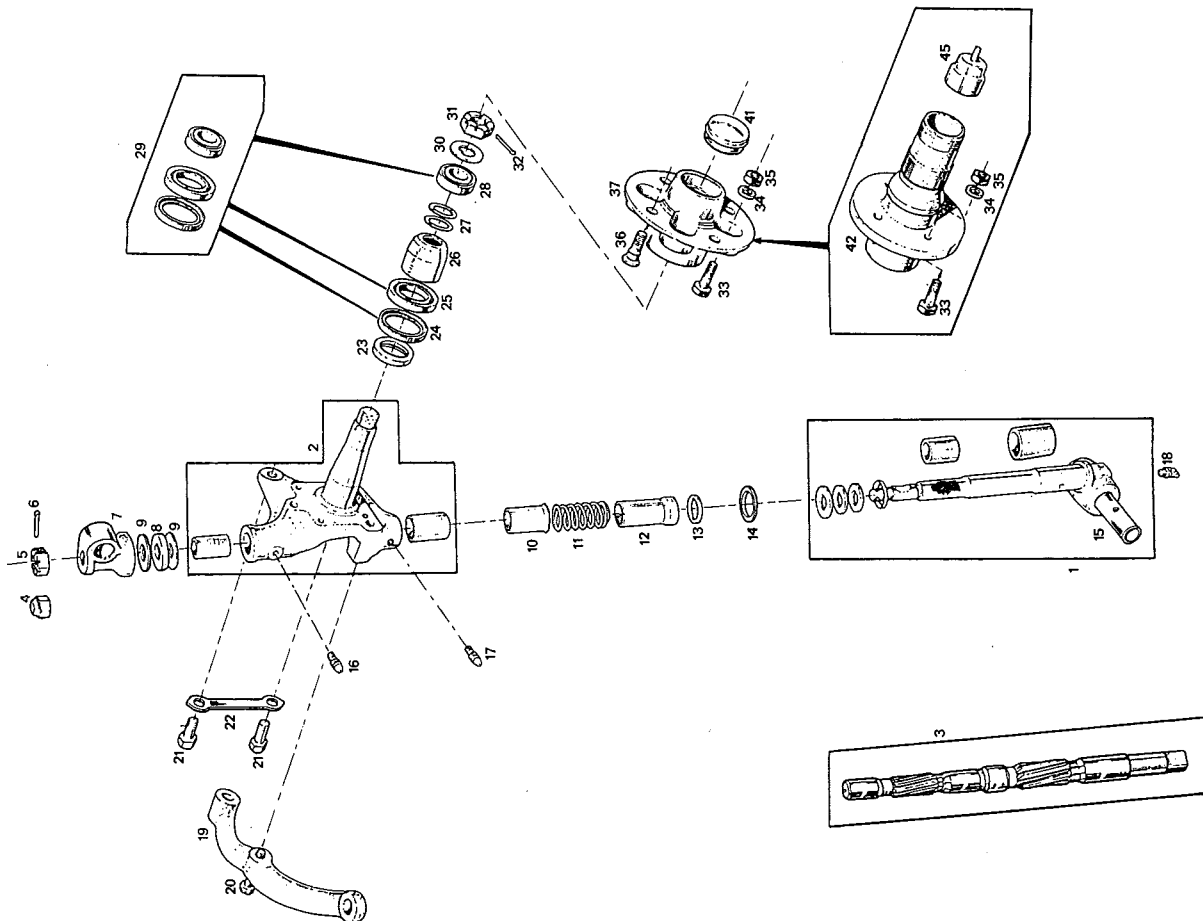
* HB001C 'Major Overhaul Kit' contains the following components to service one side of the Front Suspension.

Contents from this Section:-

1B, 4, 8, 9, 13, 14, 15, 16, 17 & 18

Contents from Section HA:-

15, 16, 18, 39, 41, 42, 48, 49, 50, 51, 52, 54 & 55

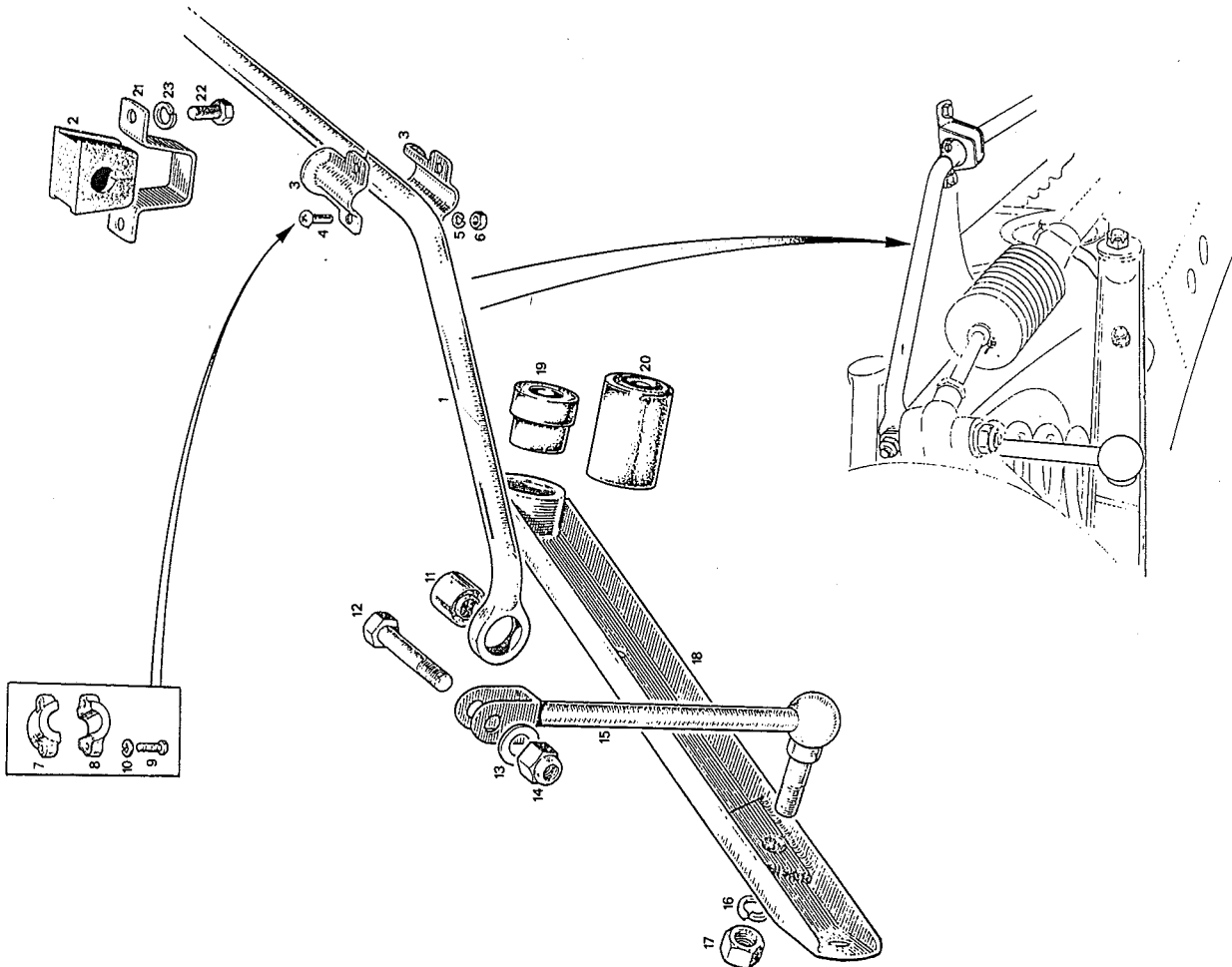


Section HC

Front Anti Roll Bar & Lower Arms

No.	Part No.	Qty.	Description	Remarks
HC001A	BHH1217	1	9/16" Anti Roll Bar	
HC002A	AHH6541	2	9/16" Mounting Bush	
HC003	AHH6546	4	9/16" End Stop Bracket	
HC004	PMZ308	4	Screw	
HC005	WL700101	4	Spring Washer	
HC006	GHF206	4	Nut	
HC001B	BHH882	1	5/8" Anti Roll Bar	
HC002B	1B4526	2	5/8" Mounting bush	
HC007A	21A667	2	5/8" Threaded Upper End Stop	
HC008A	21A668	2	5/8" Lower End Stop	
HC009A	PMZ312	4	Screw	
HC010A	WL700101	4	Spring Washer	
HC001C	AHH7924	1	3/4" Anti Roll Bar	
HC002C	AHH7927	2	3/4" Mounting Bush	
HC007B	21B456	2	3/4" Threaded Upper End Stop	
HC008B	21B457	2	3/4" Lower End Stop	
HC009B	PMZ312	4	Screw	
HC010B	WL700101	4	Spring Washer	
HC011	AHH5939	2	Anti Roll Bar Eye Bush	
HC012A	AHC146	2	Locating Bolt	
HC012B	AHC146K	1	Locating Kit	Includes 2 bolts, 2 washers 2 stiff nuts
HC013	GHF334	2	Spring Washer	
HC014	GHF224	2	Stiff Nut	
HC015A	AHH6543A	1	RH Anti Roll Bar Link	
HC015B	AHH6544A	1	LH Anti Roll Bar Link	
HC016	GHF335	2	Spring Washer	
HC017	GHF204	2	Nut	
HC018A	AHH5927	1	RH Front Wishbone Arm	
HC018B	AHH5929	1	LH Front Wishbone Arm	
HC019	AHH7933	8	Standard Inner Wishbone Bush	
HC020	BHH1123	4	Upgraded Inner Wishbone Bush	
HC021	BHH2000	2	Mounting Bracket	
HC022	SH605071	4	Screw	
HC023	GHF332	4	Spring Washer	

Required when
Anti Roll Bar Is Fitted



Year	Vehicle Type	From Chassis No.	To Chassis No.	Orig. Spec
Roadster '62-'67	3 Synchro	GHN3 101	GHN3 138400	Optional Extra 9/16"
'67-'74	4 Synchro Chrome Bumper	GHN4 138401	GHN5 360300	
'75-'76	Early Rubber Bumper	GHN5 360301	GHN5 410000	Not Fitted
'76-On	Late Rubber Bumper	GHN5 410001	To End	5/8"
MGB GT '65-'74	Chrome Bumper	GHD3 71933	GHD5 361000	5/8"
'74-'76	Early Rubber Bumper	GHD5 361001	GHD5 410000	9/16"
'76 On	Late Rubber Bumper	GHD5 410001	To End	5/8"

Section HD

Rear Suspension & Anti Roll Bar

Roadster Springs

No.	Part No.	Qty.	Description	Remarks
HD001A	GSV1006	2	6 Leaf Spring Assembly	Chrome Bumper Rubber Bumper Up to GHN5 386795 GHN5 386796 On
HD001B	AHC31	2	7 Leaf Spring Assembly	
HD001C	BHH1779	2	6 Leaf Spring Assembly	

GT Springs

HD001D	AHC31	2	7 Leaf Spring Assembly	Chrome Bumper Rubber Bumper
HD001E	BHH1767	2	7 Leaf Spring Assembly	

The above springs are built to OE specification with interleaf. We also offer an economy spring without interleaf.

Economy Roadster Springs

HD001F	AHH7080B	2	6 Leaf Spring Assembly	Chrome Bumper Rubber Bumper Up to GHN5 386795 GHN5 386796 On
HD001G	AHC31B	2	7 Leaf Spring Assembly	
HD001H	BHH1779B	2	6 Leaf Spring Assembly	

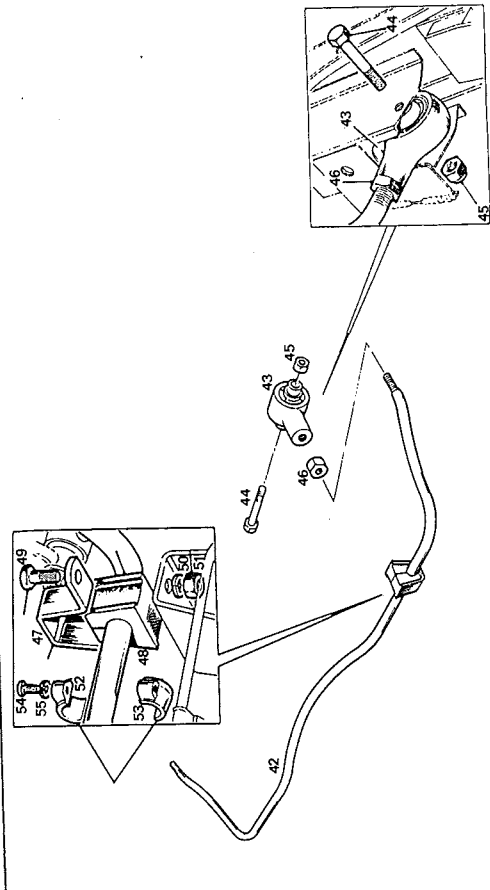
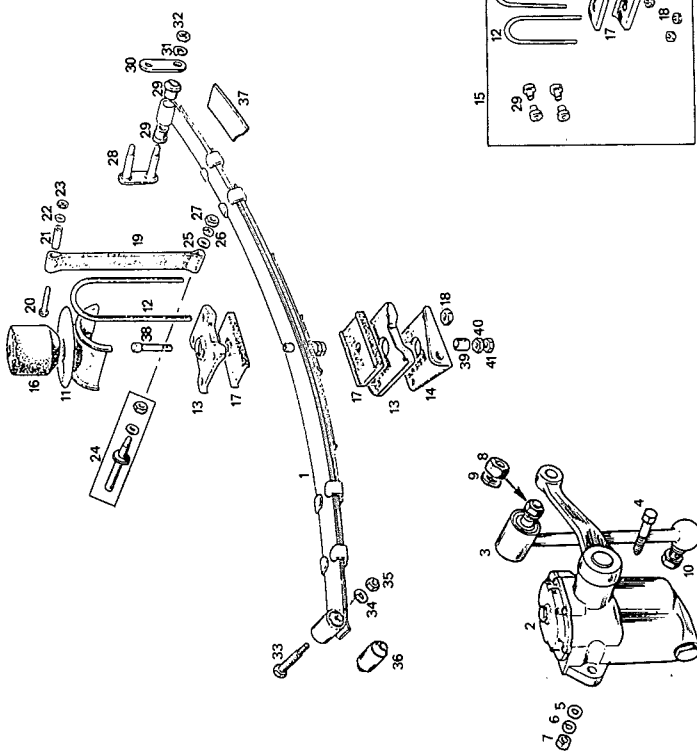
GT Economy Springs

HD001I	AHC31B	2	7 Leaf Spring Assembly	Chrome Bumper Rubber Bumper
HD001J	BHH1767B	2	7 Leaf Spring Assembly	

Road Springs should always be fitted in matched pairs.
All Springs come with the Front Spring Bush already fitted (36)

1 RH Rear Shock Absorber New
1 LH Rear Shock Absorber New
1 RH Rear Shock Absorber Reconditioned
1 LH Rear Shock Absorber Reconditioned
2 Chrome Bumper Link Arm
2 Rubber Bumper Link Arm
2 Front Mounting Bolt
2 Rear Mounting Bolt
8 Flat Washer
6 Spring Washer
4 Nut
2 S/Absorber Link Arm Nut
2 Upper Spring Washer
2 Cover Spring Washer
2 Link Arm Lower Nut

HD002A	GSA168	1	RH Rear Shock Absorber New
HD002B	GSA169	1	LH Rear Shock Absorber New
HD002C	GSA168E	1	RH Rear Shock Absorber Reconditioned
HD002D	GSA169E	1	LH Rear Shock Absorber Reconditioned
HD003A	97H2031A	2	Chrome Bumper Link Arm
HD003B	37H8778A	2	Rubber Bumper Link Arm
HD004A	BH607261	2	Front Mounting Bolt
HD004B	BH607241	2	Rear Mounting Bolt
HD004C	BH607261	2	Front Mounting Bolt
HD005	GHF303	8	Flat Washer
HD006	GHF334	6	Spring Washer
HD007	GHF203	4	Nut
HD008	GHF203	2	S/Absorber Link Arm Nut
HD009A	GHF334	2	Upper Spring Washer
HD009B	GHF335	2	Cover Spring Washer
HD010	FNZ508	2	Link Arm Lower Nut



Section HD Continued

Rear Suspension & Anti Roll Bar

(62-66) Banjo Axle Roadsters Only*

No.	Part No.	Qty.	Description
HD011A	AHH6053	2	Banjo Axle Pedestal
HD012A	AHH6452	4	Banjo Axle U Bolt
HD013A	ACG5001	4	Banjo Axle Saddle Plate
HD014A	AHH5067	1	RH S/Absorber Link Plate
HD014B	AHH5068	1	LH S/Absorber Link Plate
HD015A	AHH6452K	2	Fitting Kit

Contains 12A,17,18 & 29

* Between GHN3 123716 & GHN3 132922 some Roadsters were still supplied with Banjo Axles. After GHN3 132923 only the Tube Axle was used. See plates HF & HG for identification purposes.

Rear Suspension & Anti Roll Bar

(65-On)* Tube Type Axle Roadsters & All GT's

HD011B	AHH7335	2	Tube Axle Pedestal
HD012B	AHC109	4	Tube Axle U Bolt
HD013B	AHH7334	4	Tube Axle Saddle Plate
HD014C	AHH7337	1	RH S/Absorber Link Plate
HD014D	AHH7338	1	LH S/Absorber Link Plate
HD015B	AHC109K	2	Spring Fitting Kit

Contains 12B,17,18 & 29

* Between GHN3 123716 & GHN3 132922 some Roadsters were still supplied with Banjo Axles. After GHN3 132923 only the Tube Axle was used. See plates HF & HG for identification purposes.

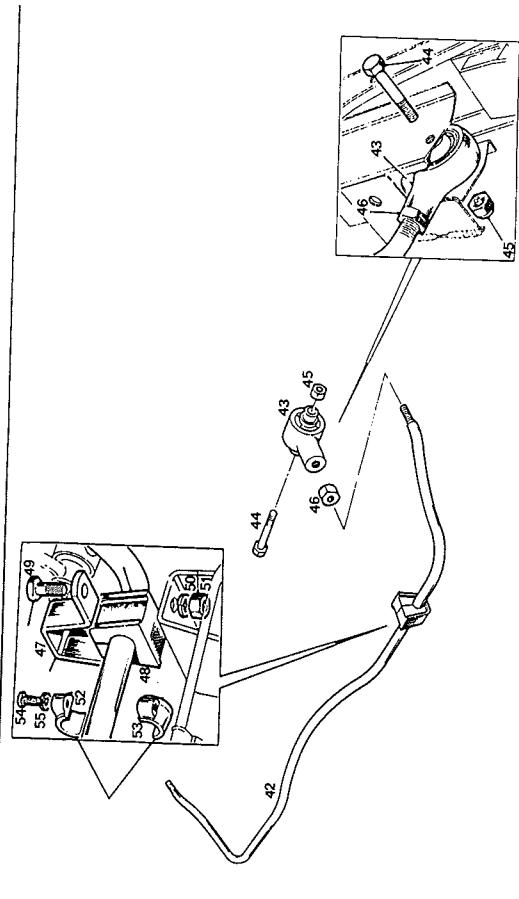
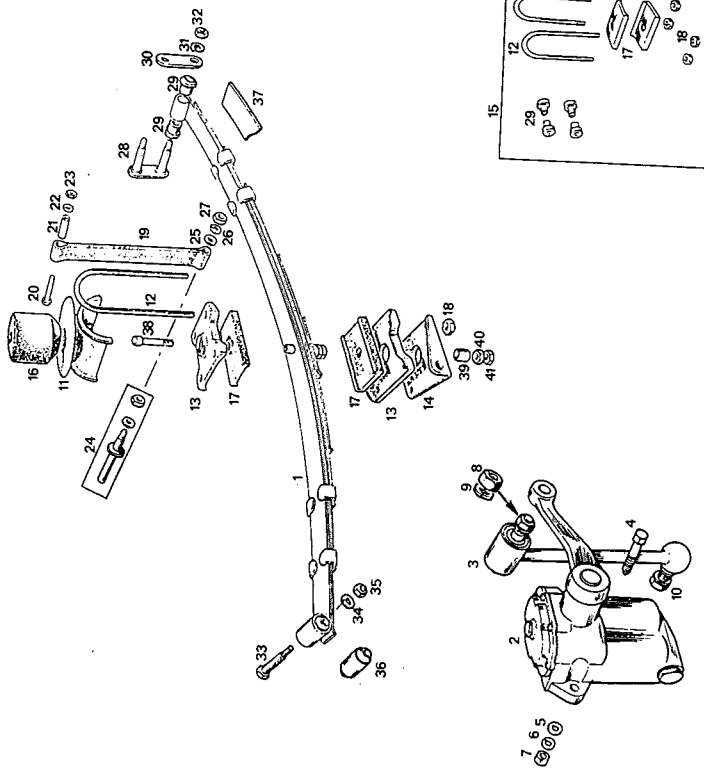
All Models

HD016	AHH9158	2	Bump Stop Rubber
HD017	ACG5002	4	Spring Rubber
HD018	GHF223	8	U Bolt Nyloc Nut
HD019A	AHH6355	2	Axle Check Strap
HD019B	BHH989	2	Axle Check Strap
HD020	BH605151	2	Top Mounting Bolt
HD021	AHH6162	2	Top Mounting Tube
HD022	GHF332	2	Spring Washer
HD023	GHF201	2	Nut
HD024	AHH6355A	2	Lower Mounting Repair
HD025	PWZ206	2	Flat Washer
HD026	GHF333	2	Spring Washer
HD027	GHF202	2	Nut
HD028A	AHH5018	2	Rear Shackle
HD028B	AHH5018K	2	Rear Shackle Kit
HD029	2A5176	8	Rear Shackle Bush
HD030	AHH5019	2	Rear Shackle Plate

Chrome Bumper
Rubber Bumper

Welds To Axle Casing

Inc 28; 30; 31 x 2; 32 x 2



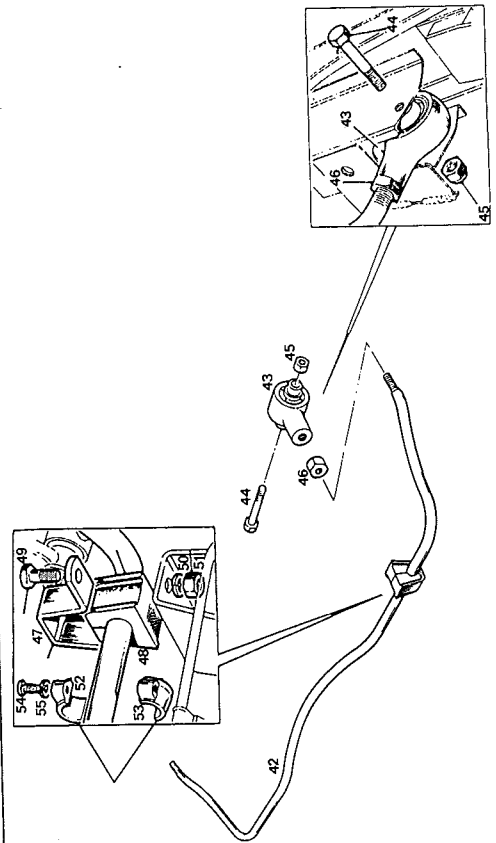
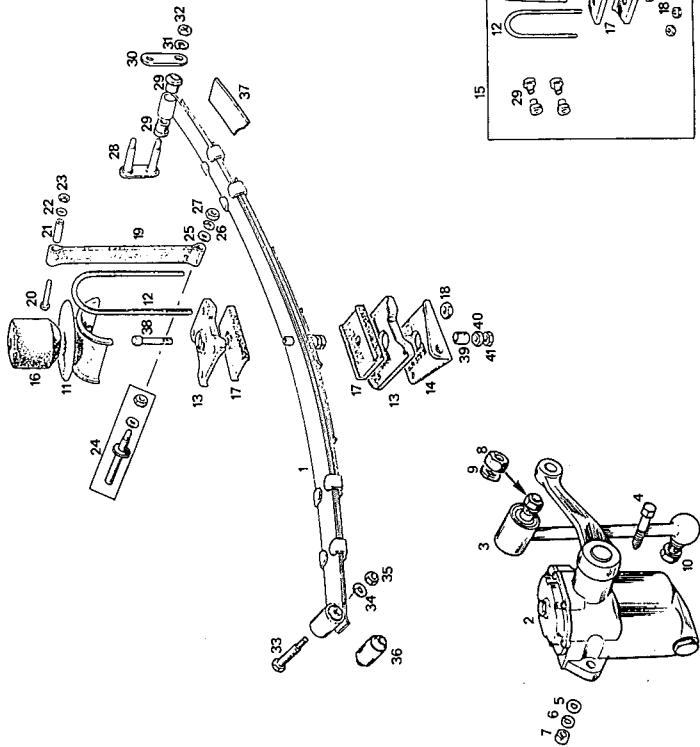
Section HD Continued

Rear Suspension & Anti Roll Bar

HD031	GHF333	4	Spring Washer
HD032	GHF202	4	Nut
HD033	BH607241	2	Front Eye Bolt
HD034	GHF334	2	Spring Washer
HD035	GHF203	2	Nut
HD036	AHH6446	2	Front Spring Bush
HD037	AHH7078M	A/R	Interleaf Strip
HD038	AHH7079	2	Centre Bolt
HD039	ACA5000	2	Locating Dowel
HD040	GHF201	2	Nut
HD041	NT605041	2	Lock Nut

(76-On) Rear Anti Roll Bar. Fitted from GHN/D5 410001

HD042	BHH2003	1	Rear Anti Roll Bar
HD043	21H6655	2	Locating Eye Bush
HD044	BH607241	2	Eye Bolt
HD045	GHF224	2	Stiff Nut
HD046	NT610041	2	Lock Nut
HD047	BHH2000	2	Mounting Bracket
HD048	AHH7921	2	11/16" Mounting Bush
HD049	GHF120	4	Mounting Bolt
HD050	GHF332	4	Spring Washer
HD051	GHF201	4	Nut
HD052	11H462	4	Upper Locator Threaded
HD053A	11H463	2	Lower Locator
HD053B	11H463K	2	Locator Kit
HD054	PMZ312	4	Screw
HD055	WL700101	4	Spring Washer



Section HE

Propshafts

(‘62-‘66) Roadsters* With Banjo Axle

No.	Part No.	Qty.	Description	Remarks
HE001A	AHH7488	1	Propshaft Assembly (A = 28 inches)	Non Overdrive
HE001B	AHH7488E	1	Propshaft Assembly Recon.	Non-Overdrive
HE001C	AHH7487	1	Propshaft Assembly (A = 29 inches)	Overdrive
HE001D	AHH7487E	1	Propshaft Assembly Recon.	Overdrive
HE002A	AAA4039	8	Propshaft Bolt	

(‘65-‘68) (3 Synchro) All GT's & Roadsters* With Tube Axle

HE001E	AHH7487	1	Propshaft Assembly (A = 29 inches)	Non Overdrive
HE001F	AHH7487E	1	Propshaft Assembly Recon.	Non-Overdrive
HE001G	AHH7486	1	Propshaft Assembly (A = 32 inches)	Overdrive
HE001H	AHH7486E	1	Propshaft Assembly Recon.	Overdrive
HE002B	AAA4039	8	Propshaft Bolt	

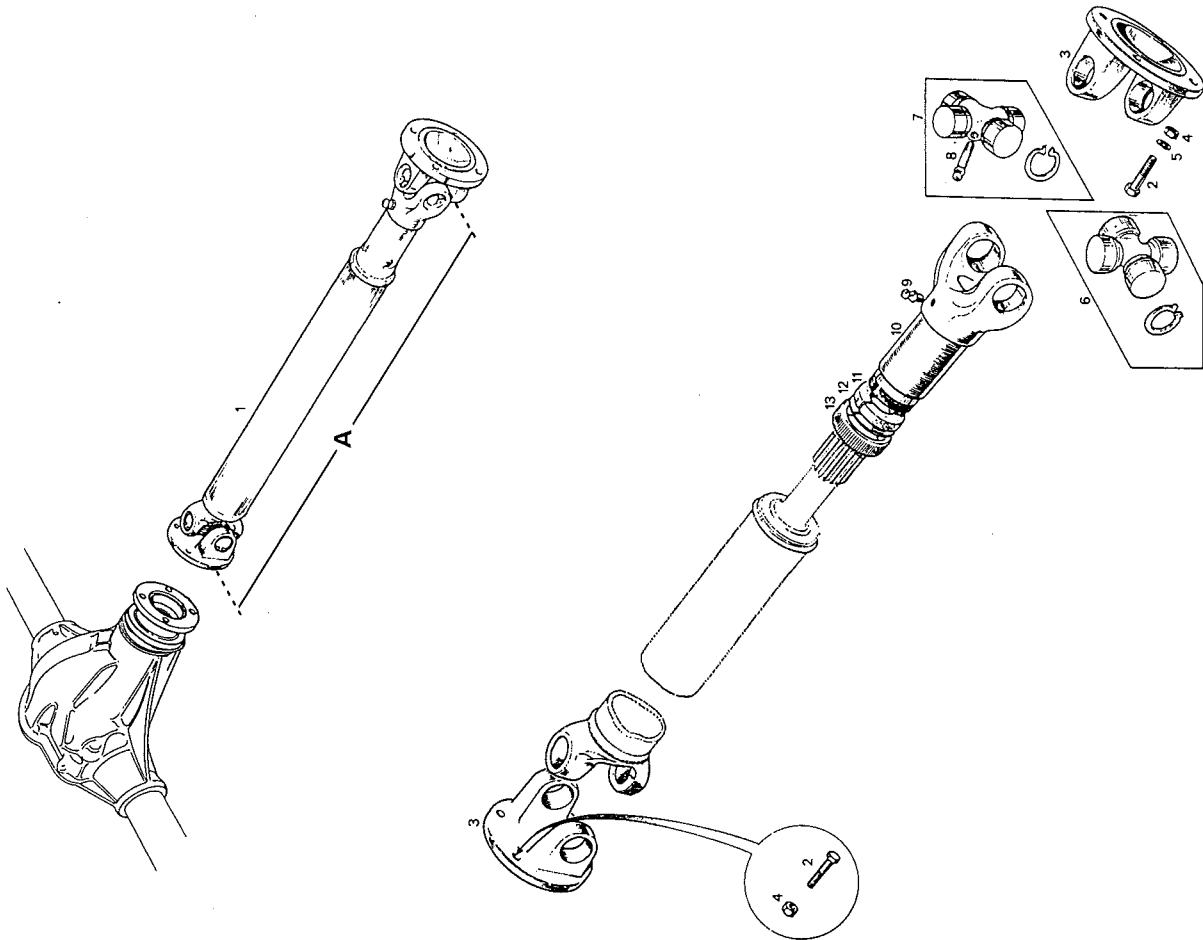
(‘67-On) 4 Synchro Models

HE001E	AHH7487	1	Propshaft Assembly (31.1/8" Long)	All Models
HE002C	AAA4039	4	Propshaft To Axle Bolt	
HE002D	22H1107	4	Propshaft To Gearbox Bolt	

All Models

HE003	7H3863	2	Drive Flange	(Use With 7)
HE004	LNZ105	8	Stiff Nut	
HE005	GHF332	4	Spring Washer, Gearbox End	
HE006	GUJ101	2	Universal Joint, Sealed Type	
HE007	GUJ115	2	Universal Joint, Greaseable Type	
HE008	7H3858	2	Grease Nipple	
HE009	UHN400	1	Yoke Grease Nipple	
HE010	7H3865	1	Splined Yoke	
HE011	7H3880	1	Cork Seal	
HE012	7H3879	1	Retainer	
HE013	7H3878	1	Threaded Dust Cap	

* Between GHN3 123716 and GHN3 132922 some Roadsters were still supplied with banjo axles. After GHN3 132923 only the tube axle was used. See plates HF and HG for identification purposes.

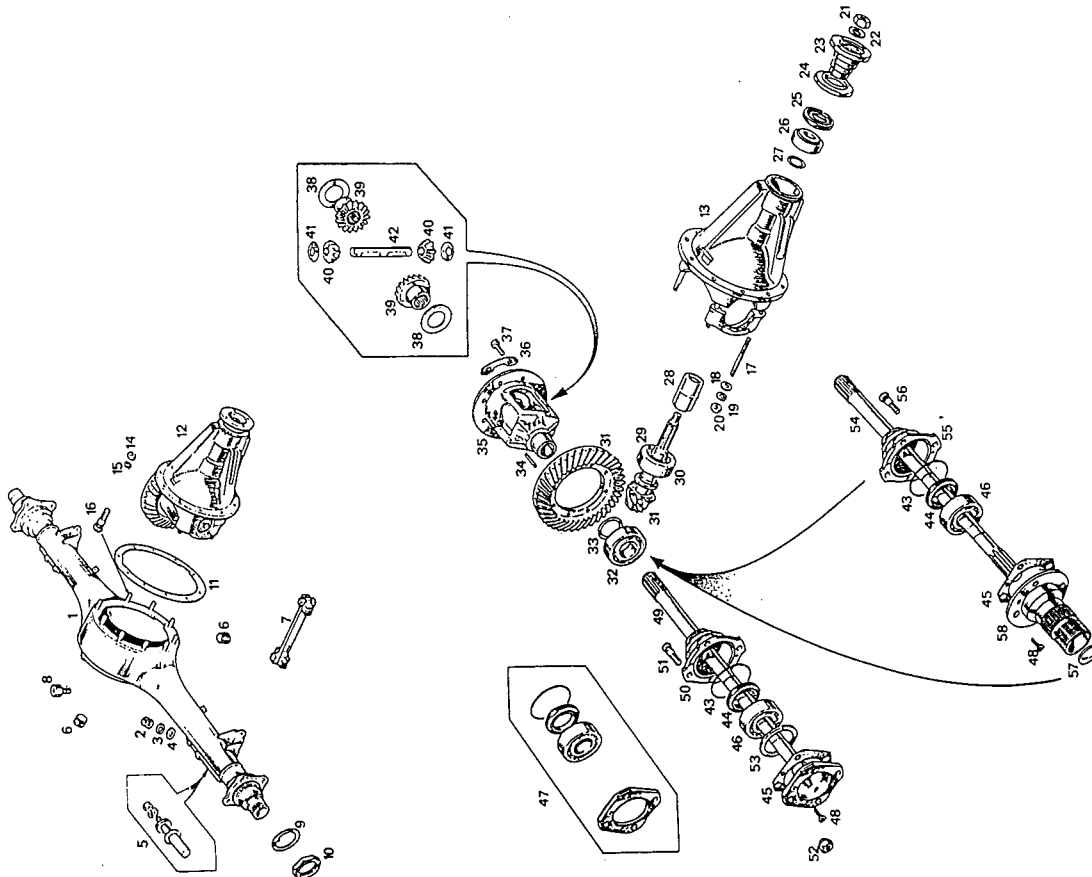


Section HF

Banjo Rear Axle Roadsters Only ('62-'66)*

* Between GHN3 123716 & GHN3 132922, some Roadsters were still supplied with Banjo Axles. After GHN3 132923 only the Tube Axle was used.

No.	Part No.	Qty.	Description	Remarks
HF001A	BTB533	1	Axle Casing For Steel Wheels	
HF001B	BTB534	1	Axle Casing For Wire Wheels	
HF002	GHF202	2	Rebound Strap Nut	
HF003	GHF333	2	Spring Washer	
HF004	PWZ206	2	Flat Washer	
HF005	AHH6355A	2	Check Strap Mounting Bracket	Welds To Axle Casing
HF006	6K499	2	Drain & Filler Plug	
HF007A	GAC5052	1	Spanner For Square Drain Plug	
HF007B	GAC5059	1	Spanner For Hexagonal Drain Plug	
HF008	21H6060	1	Breather Assembly	
HF009	1G7584	2	Lock Tab	
HF010A	1G7448	1	RH Side Retaining Nut	Right Hand Thread
HF010B	1G7582	1	LH Side Retaining Nut	Left Hand Thread
HF011	1G7465	1	Differential Gasket	
HF012	BTB414E	1	Differential Assembly 3.909:1	
HF013	ATB7181	1	Differential Carrier	
HF014	GHF201	10	Nut	
HF015	GHF332	10	Spring Washer	
HF016	2A7226	10	Differential Retaining Stud	
HF017	51K886	4	Bearing Cap Stud	
HF018	ATC7084	4	Flat Washer	
HF019	GHF334	4	Spring Washer	
HF020	GHF203	4	Nut	
HF021	FNZ612	4	Input Flange Nut	
HF022	WL600121	1	Spring Washer	
HF023	ATB7059	1	Input Flange	
HF024	1G7439	1	Dust Cover	
HF025	88G320	1	Oil Seal	
HF026	2A7213	1	Outer Bearing	
HF027A	ATB7102	A/R	Bearing Shim 0.004"	Selective
HF027B	ATB7103	A/R	Bearing Shim 0.006"	
HF027C	ATB7104	A/R	Bearing Shim 0.008"	Selective
HF027D	ATB7105	A/R	Bearing Shim 0.010"	
HF027E	ATB7106	A/R	Bearing Shim 0.012"	Selective
HF027F	ATB7107	A/R	Bearing Shim 0.020"	
HF027G	ATB7108	A/R	Bearing Shim 0.030"	Selective
HF028	1B7240	1	Bearing Spacer	
HF029	100897A	1	Inner Bearing	
HF030A	ATB7064	1	Pinion Thrust Washer 0.126"	3.909:1
HF030B	ATB7065	1	Pinion Thrust Washer 0.124"	
HF030C	ATB7066	1	Pinion Thrust Washer 0.122"	Selective
HF030D	ATB7067	1	Pinion Thrust Washer 0.120"	
HF030E	ATB7068	1	Pinion Thrust Washer 0.118"	Selective
HF030F	ATB7069	1	Pinion Thrust Washer 0.116"	
HF030G	ATB7070	1	Pinion Thrust Washer 0.114"	3.909:1
HF030H	ATB7071	1	Pinion Thrust Washer 0.112"	
HF031	BTB653	1	Crown Wheel & Pinion 11/43	
HF032	CHM163	2	Differential Bearing	



Section HF Continued

Banjo Rear Axle, Roadsters Only ('62-'66)*

No.	Part No.	Qty.	Description	Remarks
HF033A	2K7993	A/R	Diff. Bearing Shim 0.002"	Selective
HF033B	ATB7239	A/R	Diff. Bearing Shim 0.003"	
HF033C	2K7435	A/R	Diff. Bearing Shim 0.004"	
HF033D	6K503	A/R	Diff. Bearing Shim 0.006"	
HF033E	1G7600	A/R	Diff. Bearing Shim 0.010"	
HF034	6K842	1	Diff. Pin Locating Peg	
HF035	BTB328	1	Differential Cage	
HF036	6K875	4	Lock Tab	
HF037	ATA7232	8	Crown Wheel Bolt	
HF038	ATB7072	2	Drive Gear Thrust Washer	
HF039	BTB150	2	Drive Gear	
HF040	ATB7123	2	Pinion Gear	
HF041	1G7445	2	Pinion Thrust Washer	
HF042	1G7444	1	Pinion Shaft	
HF043	ATB7354	2	'O' Ring Seal	
HF044	GHS211	2	Oil Seal	
HF045	GFG115	2	Flange Gasket	
HF046	GHB127	2	Hub Bearing	
HF047	GHK1133	2	Hub Bearing Kit	
HF048	SF604051	2	Drive Flange To Hub Screw	

(Contains 43-46)

Steel Wheel Models Only

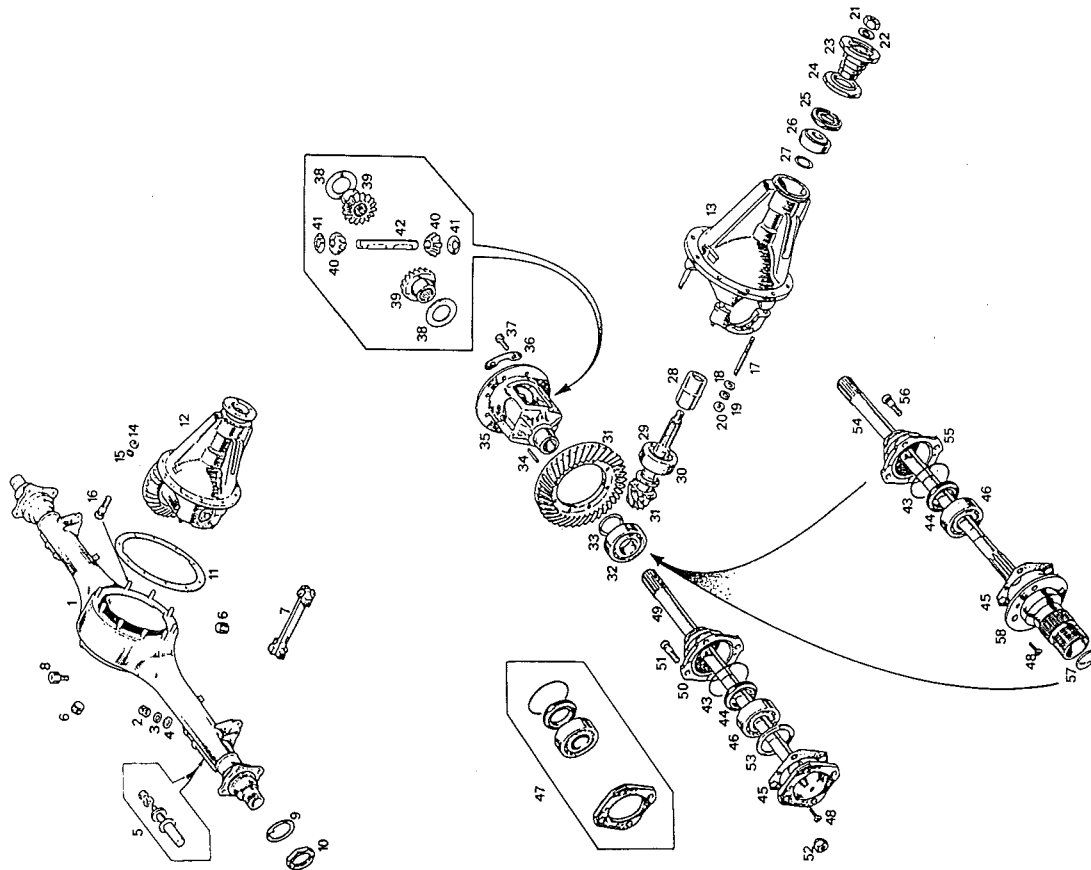
HF049	BTB336	2	Half Shaft
HF050	BTB334	2	Hub
HF051	BTB207	8	Stud
HF052	BTB354	8	Road Wheel Nut
HF053	1G7436	2	Bearing Spacer

Wire Wheel Models Only

HF054	BTB153	2	Half Shaft	('62-'64) Up To GHN3 30850
HF055	BTB335	2	Bearing Carrier	
HF056	BTB253	8	Stud	
HF057	2K8160	2	Hub Blanking Plug	
HF058A	BTB332	1	RH Splined Hub 12 T.P.I.	
HF058B	BTB333	1	LH Splined Hub 12 T.P.I.	
HF059A	AHH7317	1	RH 2 Eared Wheel Cap 12 T.P.I.	
HF059B	AHH7318	1	LH 2 Eared Wheel Cap 12 T.P.I.	
HF060A	AHH7315	1	RH Octagonal Wheel Cap 12 T.P.I.	
HF060B	AHH7316	1	LH Octagonal Wheel Cap 12 T.P.I.	
HF058C	BTB732	1	RH Splined Hub 8 T.P.I.	('64-'66) GHN3 30851 To *
HF058D	BTB733	1	LH Splined Hub 8 T.P.I.	
HF059C	AHA7373	1	RH 2 Eared Wheel Cap 8 T.P.I.	
HF059D	AHA7374	1	LH 2 Eared Wheel Cap 8 T.P.I.	
HF060C	88G606	1	RH Octagonal Wheel Cap 8 T.P.I.	
HF060D	88G607	1	LH Octagonal Wheel Cap 8 T.P.I.	

REMEMBER:- RH Hubs And Knock-Ons Are LH Threads
LH Hubs And Knock-Ons Are RH Threads

* Between GHN3 123716 & GHN3 123922 some Roadsters were still supplied with Banjo Axles. After GHN3 132923 only the Tube Axle was used.



Section HG

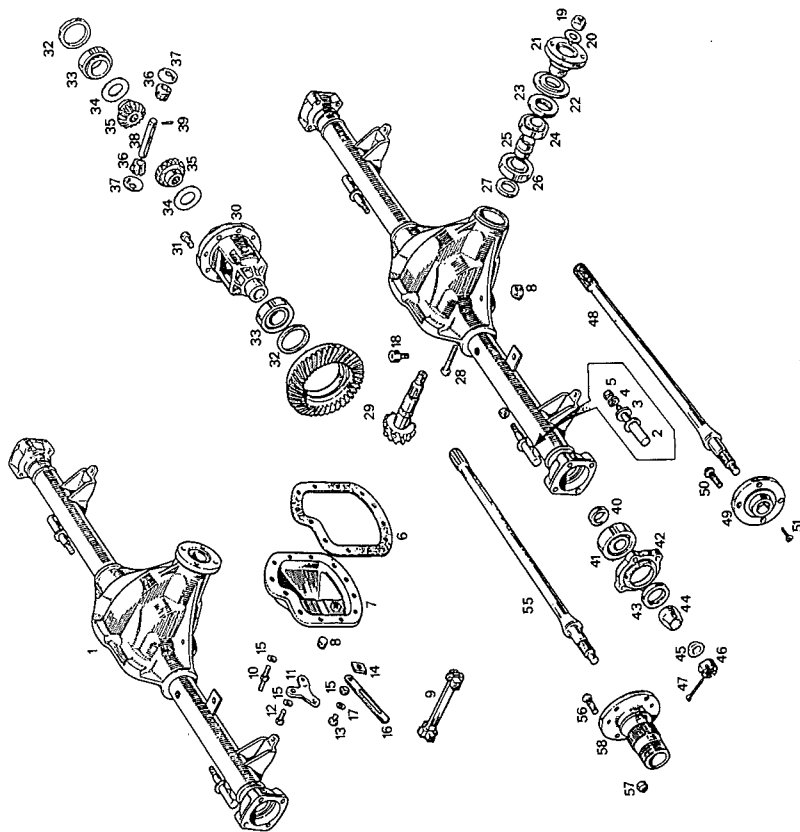
Tube Type Back Axle Assembly ('65-On)*

* Between GHN3 123716 & GHN3 132922 some Roadsters were still supplied with Banjo Axles. After GHN3 132923 only the tube axle was used.

No.	Part No.	Qty.	Description	Remarks
HG001A	BTB1108	1	Steel Wheel Differential Assy. 3:9:1	('65-'76)
HG001B	BTB1109	1	Wire Wheel Differential Assy. 3:9:1	Up to GHN/D5 41000
HG001C	DAM2488	1	Steel Wheel Differential Assy. 3:9:1	('76-On)
HG001D	DAM2487	1	Wire Wheel Differential Assy. 3:9:1	GHN/D5 410001 On

The above Differential Assemblies come built up in an axle case. They do not come with Hubs, Drive Shafts and Brake Assemblies.

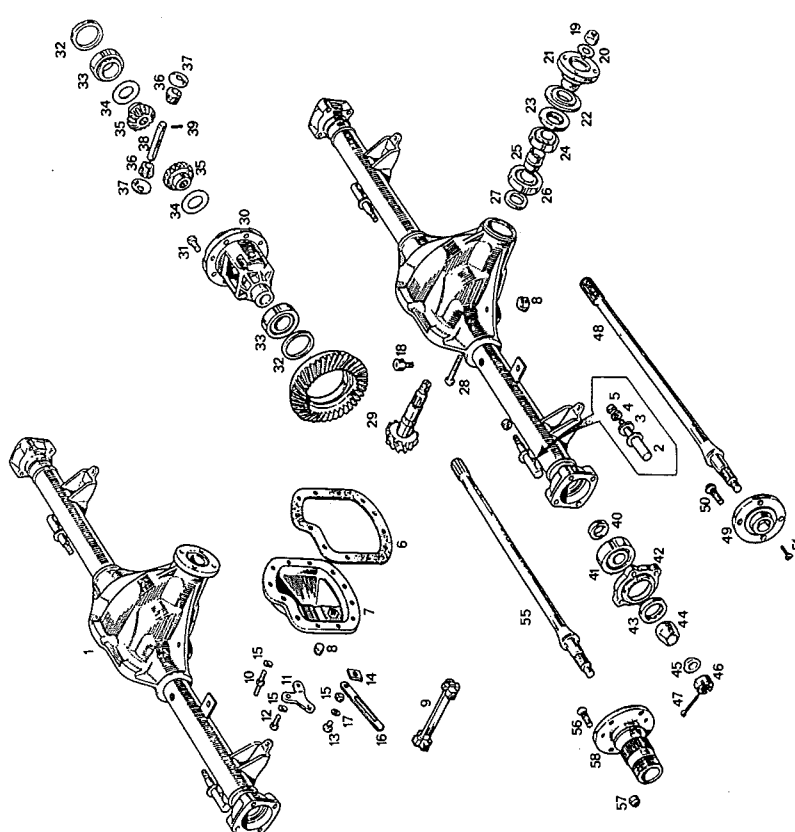
No.	Part No.	Qty.	Description	Remarks
HG002	AHH6355A	2	Check Strap Mounting Bracket	Requires Welding
HG003	PWZ206	2	Flat Washer	
HG004	GHF333	2	Spring Washer	
HG005	GHF202	2	Nut	
HG006	BTB674	1	Gasket	
HG007	DAM2441	1	Rear Cover	
HG008	6K499	2	Drain & Filler Plug	
HG009A	GAC5052	1	Spanner For Square Drain Plug	
HG009B	GAC5059	1	Spanner For Hexagonal Drain Plug	
HG010	BTB872	2	Brake Pipe Bolt ('65-'76)	Up to GHN/D5 410000 ('65-'76)
HG011	BTB738	1	Handbrake Bracket	
HG012	BTB676	2	Handbrake Bracket Bolt	Up to GHN/D5 415000 increased GHN/D5 410001 On
HG013A	SH605041	8/10	Cover Screw	
HG013B	SH605041	1	Cover Screw	('76-On) GHN/D5 415001 On
HG013C	SH605071	1	Support Screw	
HG014	24A1356	1	Spacer	
HG015	AWZ107	1	Washer	
HG016	BHH2136	1	Cable Support Strap	
HG017	GHF332	1	Spring Washer	
HG018	21H6060	1	Breather Valve	
HG019	BTB753	1	Drive Flange Nut	
HG020	BTB933	1	Plain Washer	
HG021	BTB867	1	Input Flange	
HG022	BTB350	1	Dust Cover	
HG023	BTB1326	1	Oil Seal	
HG024	549420A	1	Outer Bearing	
HG025	BTB853	1	Collapsible Bearing Spacer	
HG026	539706A	1	Inner Bearing	
HG027A	BTB844	1	Pinion Spacer 0.222"	Selective
HG027B	BTB845	1	Pinion Spacer 0.220"	
HG027C	BTB846	1	Pinion Spacer 0.218"	
HG027D	BTB847	1	Pinion Spacer 0.216"	
HG027E	BTB848	1	Pinion Spacer 0.214"	
HG027F	BTB849	1	Pinion Spacer 0.212"	
HG027G	BTB850	1	Pinion Spacer 0.210"	
HG027H	BTB851	1	Pinion Spacer 0.208"	
HG028	BTB669	4	Bearing Cap Bolt	



Section HG Continued

Tube Type Back Axle Assembly (65-On)

No.	Part No.	Qty.	Description	Remarks
HG029	BTB856	1	3.9:1 Crown Wheel & Pinion	Selective
HG030	BTB866	1	Differential Carrier	
HG031	BTB432	8	Crown Wheel Fixing Bolt	
HG032A	BTC466	1	Distance Collar 0.149"	
HG032B	BTC465	1	Distance Collar 0.147"	
HG032C	BTC464	1	Distance Collar 0.145"	
HG032D	BTC463	1	Distance Collar 0.143"	
HG032E	BTC462	1	Distance Collar 0.141"	
HG032F	BTC461	1	Distance Collar 0.139"	
HG032G	BTC286	1	Distance Collar 0.137"	
HG032H	BTC287	1	Distance Collar 0.135"	
HG032I	BTC288	1	Distance Collar 0.133"	
HG032J	BTC290	1	Distance Collar 0.129"	
HG032K	BTC291	1	Distance Collar 0.127"	
HG032L	BTC292	1	Distance Collar 0.125"	
HG032M	BTC293	1	Distance Collar 0.123"	
HG032N	BTC460	1	Distance Collar 0.121"	
HG032O	BTC459	1	Distance Collar 0.119"	
HG032P	BTC458	1	Distance Collar 0.117"	
HG032Q	BTC457	1	Distance Collar 0.115"	
HG033	BTC9001	2	Differential Bearing	Contains 41A & 43
HG034	ATB7072	2	Thrust Washer	
HG035	BTB428	2	Output Gear	
HG036	ATB7123	2	Differential Pinion	
HG037	1G7445	2	Thrust Washer	
HG038	BTB871	1	Pinion Shaft	
HG039	BTB715	1	Roll Pin	
HG040	BTB681	2	Bearing Spacer	
HG041A	GHB158	2	Wheel Bearing	
HG041B	GHK1213	2	Wheel Bearing Kit	
HG042	BTB682	2	Wheel Bearing Retainer	
HG043	GHS179	2	Oil Seal	
HG044	AAA982	2	Inner Collar	
HG045	FAM9270	2	Outer Taper Collar	
HG046	BTA249	2	Drive Shaft Nut	
HG047	GHF506	2	Split Pin	
HG048	BTB700	2	Steel Wheel Drive Shaft	
HG049	DAM4122	2	Drive Flange	
HG050	BTB229	8	Wheel Stud	
HG051	SF604051	4	Brake Drum Screw	
HG052	BTB354	8	Steel wheel Nut	
HG053	AHH9152	8	Rostyle Wheel Nut	
HG054	BHH2269	8	L.E. Alloy Wheel Nut	



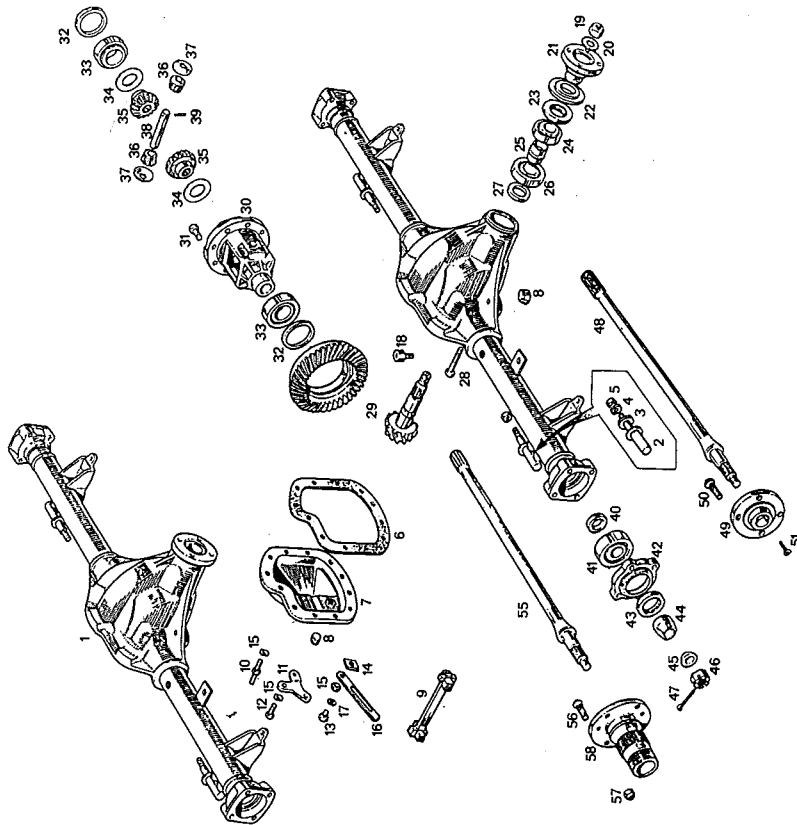
Section HG Continued

Tube Type Back Axle Assembly ('65 on)

No.	Part No.	Qty.	Description	Remarks
HG055	BTB714	2	Wire Wheel Drive Shaft	Wire Wheel Axles Only
HG056	BTB187	8	Brake Drum Stud	
HG057	BTB728	8	Brake Drum Nut	
HG058A	BTB716	1	RH Splined Hub	
HG058B	BTB717	1	LH Splined Hub	
HG059A	AHA7373	1	RH 2 Eared Wheel Cap	
HG059B	AHA7374	1	LH 2 Eared Wheel Cap	
HG060A	88G606	1	RH Octagonal Wheel Cap	
HG060B	88G607	1	LH Octagonal Wheel Cap	
HG061A	GAC7032	1	Wire Wheel Hub Kit * (2 Eared Caps)	
HG061B	GAC7033	1	Wire Wheel Hub Kit * (Octagonal Caps)	
HG062	BTB 777Q	1	Torque Sensing (L.S.) Differential	

* The wire hub wheel kit (61) contains the following parts to convert a steel wheel, tube axled car to wire wheels:-
 4 hubs, 2 grease caps, 8 bolts & washers, 2 lock tabs, 4 Wheel Caps & 1 copper/hide hammer (Plus 1 wire wheel
 spanner if applicable).

Two Eared Wheel Caps are not permitted in certain countries; please check your local regulations first before
 ordering.

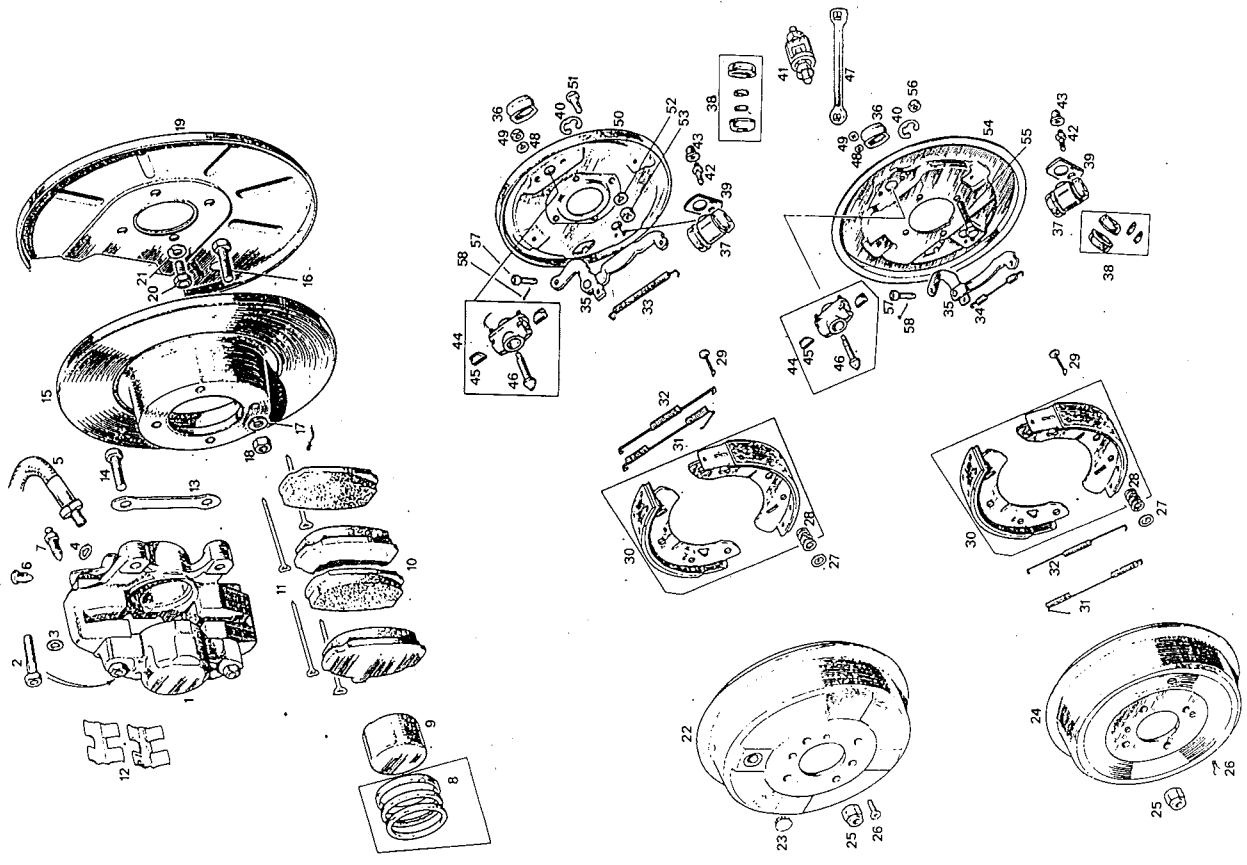


Section JA.

Front & Rear Brake Components

No.	Part No.	Qty	Description	Remarks
Front Brakes				
JA001A	27H4650	1	RH Calliper Assembly New	Unless it is unavoidable the calliper should not be separated into 2 halves
JA001B	27H4651	1	LH Calliper Assembly New	
JA001C	27H4650E	1	RH Calliper Assy Recon.	
JA001D	27H4651E	1	LH Calliper Assy Recon.	
JA002	27H4353	4	Bridge Bolt	
JA003	17H7679	2	Calliper 'O' Ring	
JA004	233220A	2	Copper Sealing Washer	
JA005A	GBH158	2	Brake Hose	(62-75)
JA005B	GBH172	2	Brake Hose	(75-On)
JA005C	GBH158SS	2	Competition Brake Hose	Up to GHN/D5 360300
JA006	17H7917	2	Plug	GHN/D5 360301 On
JA007	3H2428	2	Bleed Nipple	Stainless Steel Metal Braided
JA008	GRK5007	2	Calliper Seal Kit	
JA009	8G8642	4	Calliper Piston	
JA010	GBP202	1	Brake Pad Set	
JA011	PS610241	4	Pad Retaining Pin	
JA012	17H7990	4	Pad Retaining Clip	
JA013	BTC114	2	Lock Tab	
JA014	ATB4074	4	Calliper Retaining Bolt	
JA015	BTB387	2	Brake Disc	
JA016	BTB198	8	Brake Disc Retaining Bolt	
JA017	GHF333	8	Spring Washer	
JA018	FNZ506	8	High Tensile Nut	
JA019A	BTB412	1	RH Back Plate	
JA019B	BTB413	1	LH Back Plate	
JA020	SH605041	8	Back Plate Retaining Screw	
JA021	GHF332	8	Spring Washer	
Rear Brakes				
JA022	BTB338	2	Banjo Axle Brake Drum ('62-'66)*	Banjo Axle Roadsters
JA023A	ACH9373	2	3/4" Brake Drum Plug	
JA023B	AHH5514	2	1/2" Brake Drum Plug	('65-On)*
JA024	BTB706	2	Tube Axle Brake Drum	
JA025	BTB728	8	Brake Drum Nut	Wire Wheel Models Only Steel Wheel Models Only
JA026	SF604051	4	Brake Drum Screw	
JA027	17H7971	4	Shoe Retaining Washer	Cylinder End Cylinder End Adjuster End Banjo Axle Roadsters* Tube Axle Models*
JA028	17H7969	4	Shoe Retaining Spring	
JA029	17H7993	4	Steady Pin	
JA030	GBS740	1	Axle Set Of Brake Shoes	
JA031A	17H7994	1	RH Pull Off Spring	
JA031B	17H7995	1	LH Pull Off Spring	
JA032	27H6478	2	Pull Off Spring	
JA033	513772	2	Handbrake Pull Off Spring	
JA034	27H6479	2	Handbrake Pull Off Spring	

* Between GHN3 123716 & GHN3 132922 some Roadsters were still supplied with Banjo Axles. After GHN3 132923 only the tube axle was used.

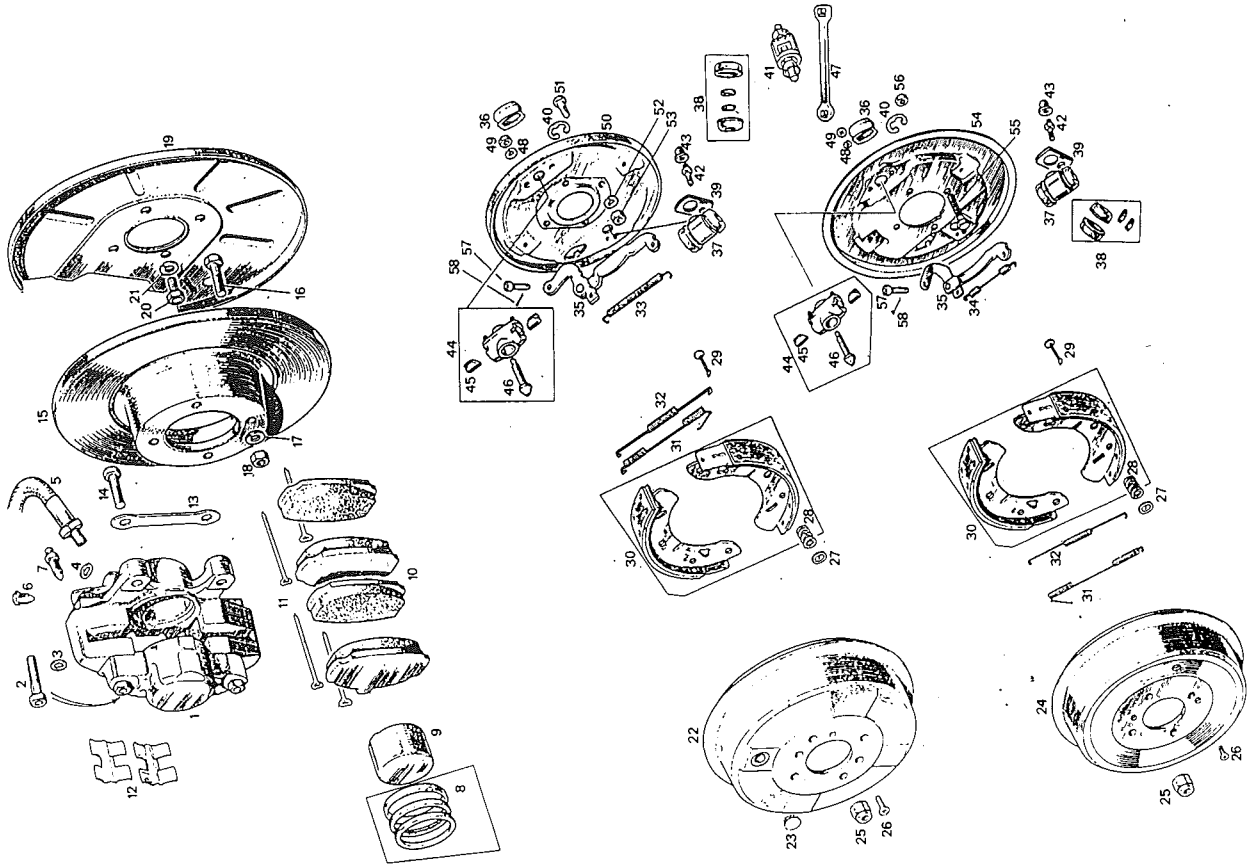


Section JA. Continued.

Front & Rear Brake Components

No.	Part No.	Qty.	Description	Remarks
JA035A	17H6787	1	RH Handbrake Lever	(62-'67) Up to GHN3 123878
JA035B	17H6788	1	LH Handbrake Lever	(62-'67) Up to GHD3 125373
JA035C	37H2005	1	RH Handbrake Lever	(67-'78) GHN3 123879 To GHN5 471641
JA035D	37H2006	1	LH Handbrake Lever	(67-'78) GHD3 125374 To GHD5 469081
JA035E	BAU1102	1	RH Handbrake Lever	(78-On) GHN5 471642 On
JA035F	BAU1101	1	LH Handbrake Lever	(78-On) GHD5 469082 On
JA036	17H8057	2	Handbrake lever Gaiter	(62-On) All Roadsters
JA037A	GWC1103	2	Wheel Cylinder	(65-'67) GT
JA037B	GWC 1103B	2	Wheel Cylinder (Repro)	Up to GHD3 139470
JA038A	GRK2012	2	Cylinder Seal Kit	(68-On) GT Only
JA037C	GWC1122	2	Wheel Cylinder	GHD4 142735 On
JA038B	GRK2011	2	Cylinder Seal Kit	
JA039	37H4642	2	Seating Gasket	
JA040	17H7949	2	Retaining Clip	
JA041	17H7949T	1	Retaining Clip Tool	
JA042	513118A	2	Bleed Nipple	
JA043	234957A	2	Dust Cover	
JA044	BAU2294	2	Adjuster Assembly	
JA045	27H6472	4	Adjuster Tappet	
JA046	27H2203	2	Adjuster Wedge	
JA047	GAC5051	1	Spanner	
JA048	GHF331	4	Spring Washer	
JA049	GHF200	4	Adjuster Retaining Nut	
JA050A	BTB366	1	RH Back Plate	Banjo Axled Roadsters Only
JA050B	BTB367	1	LH Back Plate	(62-'66)*
JA051	51K1380	8	Back Plate Bolt	
JA052	GHF333	8	Spring Washer	
JA053	GHF202	8	Nut	
JA054A	27H6476	1	RH Back Plate For Tube Axle	(65-'78)* Roadster
JA054B	27H6477	1	LH Back Plate For Tube Axle	(65-'67) GT
JA054C	37H2309	1	RH Back Plate For Tube Axle	(67-'78) GT Only
JA054D	37H2310	1	LH Back Plate For Tube Axle	GHD3 139472 To GHD5 469081
JA054E	BAU1098	1	RH Back Plate For Tube Axle	(78-On) Roadster
JA054F	BAU1097	1	LH Back Plate For Tube Axle	GHN5 471642 On
JA054G	BAU1100	1	RH Back Plate For Tube Axle	(78 On) GT
JA054H	BAU1099	1	LH Back Plate For Tube Axle	GHD5 469082
JA055	BH606161	8	Tube Axle Back Plate Bolt	
JA056	GHF243	8	Tube Axle Back Plate Nut	
JA057	ACB8715	2	Handbrake Clevis Pin	
JA058	GHF501	2	Handbrake Split Pin	

* Between GHN3 123716 & GHN3 132922 some Roadsters were still supplied with Banjo Axles. After GHN3 132923 only the tube axle was used.

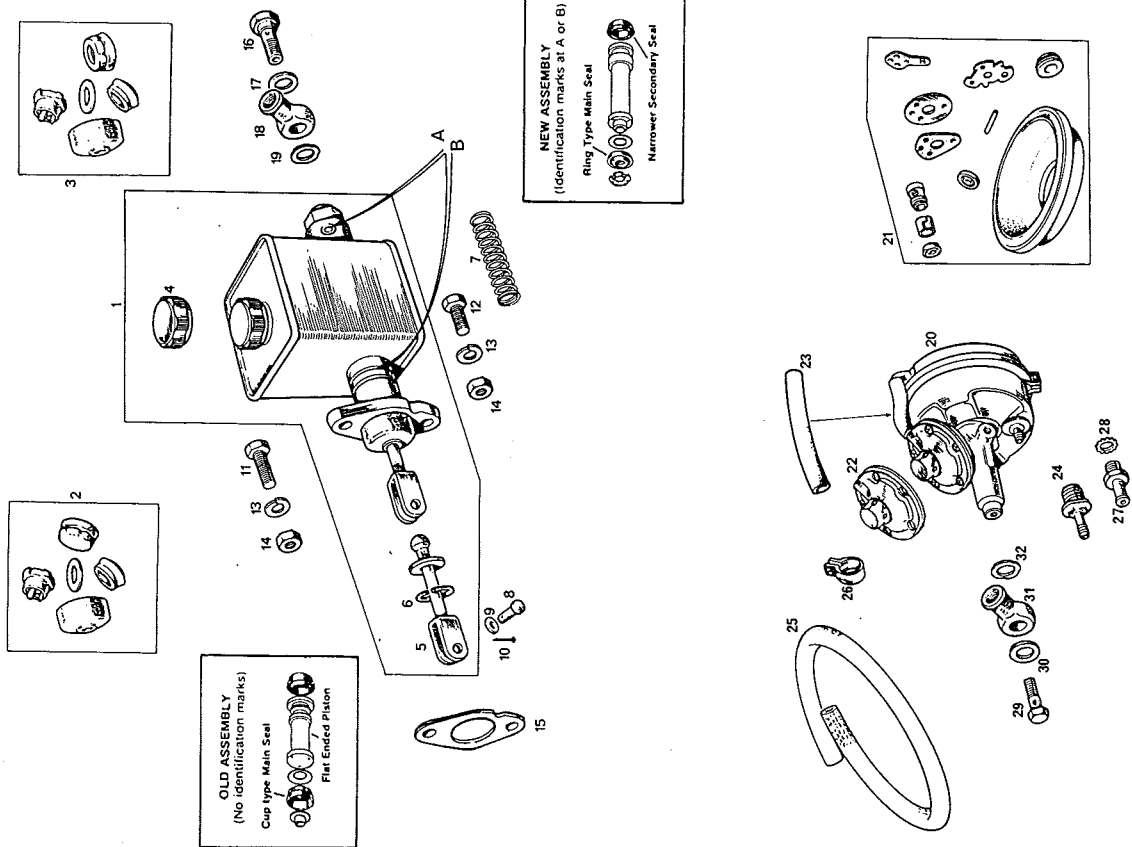


Section JB.

Single Line Brake Master Cylinder ('62-'78)

No.	Part No.	Qty	Description	Remarks
JB001A	GMC122	1	Original 3/4" Master Cylinder	No Longer Available Use 1B
JB002	GRK1026	1	Master Cylinder Seal Kit	Use To Overhaul 1A
JB001B	GMC150	1	Replacement 3/4" Master Cylinder	
JB003	GRK1009	1	Master Cylinder Seal Kit	Use To Overhaul 1B

The replacement master cylinder can be easily identified by looking for the concentric rings on the barrel of the cylinder (at A and/or at B). A final check can be made by looking at the main piston. If it has a raised shoulder on the pressure end, it is designed to take the later type kit (3). If it is flat across the pressure end, it is designed to use the 3/4" original type seal kit (2).



OLD ASSEMBLY
(No identification marks)
Cup type Main Seal
Flat Ended Piston

NEW ASSEMBLY
(Identification marks at A, or B)
Ring Type Main Seal
Narrower Secondary Seal

- JB004 513123A Plastic Filler Cap
- JB005 17H7985 Push Rod
- JB006 17H7560 Circlip
- JB007 27H7751 Piston Spring
- JB008 CLZ514 Clevis Pin
- JB009 GHF301 Flat Washer
- JB010 GHF501 Split Pin
- JB011 GHF103 Upper Mounting Screw
- JB012 SH605071 Lower Mounting Screw
- JB013 GHF332 Spring Washer
- JB014 GHF201 Nut
- JB015 AHH8847 Adjustment Shim
- JB016 11D5264 Banjo Bolt
- JB017 3H550 Large Copper Washer
- JB018 BHA4310 Banjo Connector
- JB019 233220A Small Copper Washer

Lockheed vacuum servos were not standard equipment until the 1974 model year. One of two different diameter units may be found on a car with single line brakes.

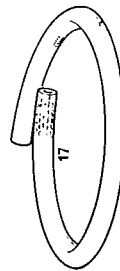
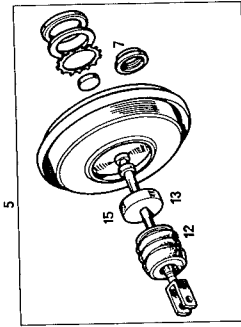
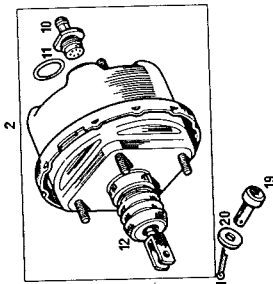
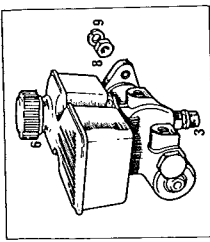
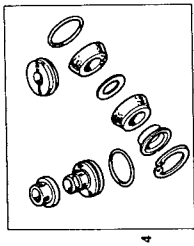
- JB020A BHA4842 Vacuum Servo Assembly (5/8" Dia)
- JB020B GSM125 Vacuum Servo Assembly (7/8" Dia)
- JB021A 18G8579A Major Repair Kit (5/8" Dia)
- JB021B 18G8579B Major Repair Kit (7/8" Dia Servo)
- JB022 601907 Air Filter & Cover
- JB023 27H9321 Main Piston Feed Hose
- JB024 37H4896 Servo Inlet Valve
- JB025 AAU2071 Vacuum Supply Hose 33"
- JB026 GHC507 Hose Clip
- JB027 BAU2164 Manifold Adaptor
- JB028 267604A Sealing Washer
- JB029 11D5264 Banjo Bolt
- JB030 3H550 Large Copper Washer
- JB031 7H7851 Banjo Connector
- JB032 233220A Small Copper Washer

Type 6

Section JC.

Dual Line Brake Master Cylinder with Direct Acting Servo (78-On)

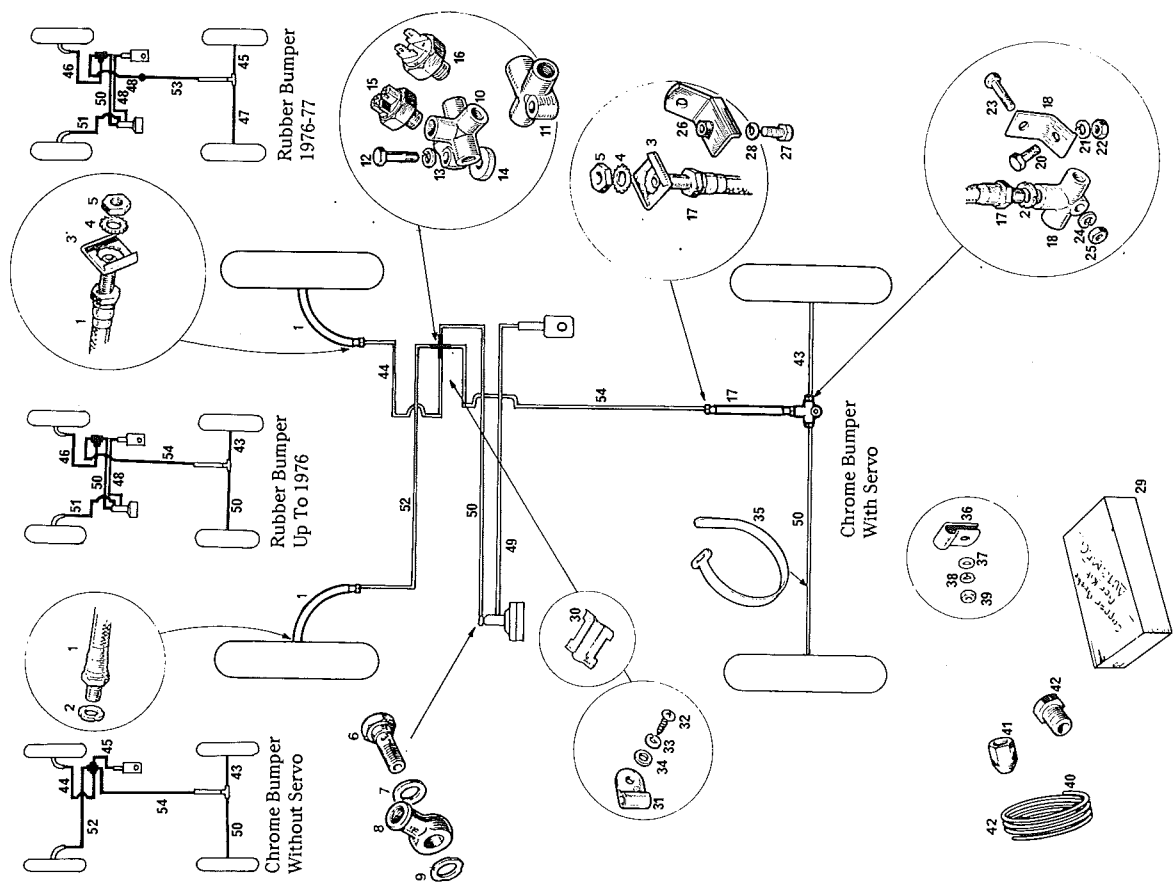
No.	Part No	Qty.	Description	Remarks
JC001	GMC164	1	Master Cylinder with Rectangular Tank	
JC002	BAU1016	1	Servo Assembly	
JC003	37H8089	1	White Pressure Failure Switch	
JC004	GRK1004	1	Master Cylinder Seal Kit	
JC005	18G9080	1	Servo Seal Kit	
JC006	513123A	1	Filler Cap	
JC007	AAU9615A	1	Connecting Seal	
JC008	GHF201	2	Cylinder To Servo Nut	
JC009	GHF332	2	Spring Washer	
JC010	BAU1018	1	Non Return Valve	
JC011	BAU1019	1	Non Return Valve Seal	
JC012	BAU2197A	1	Push Rod Bellows	
JC013	AAU2445A	1	Servo Air Filter	
JC014	GHF301	4	Flat Washer	
JC015	GHF332	4	Spring Washer	
JC016	GHF201	4	Nut	
JC017	AAU2071	1	Vacuum Hose 24" Long	Cut to Length
JC018	GHC507	2	Hose Clip	
JC019	CLZ514	1	Clevis Pin	
JC020	GHF301	1	Flat Washer	
JC021	GHF501	1	Split Pin	



Section JD.

Single Line Circuit Brake Pipes & Fittings, (62-78)

No.	Part No.	Qty.	Description	Remarks	
JD001A	GBH158	2	Front Brake Hose	Chrome Bumper Models Rubber Bumper Models All Models	
JD001B	GBH172	2	Front Brake Hose		
JD001C	GBH158SS	2	Stainless Steel Braided Hose		
JD002	233220A	3	Sealing Washer		
JD003	1G9198	3	Locking Plate		
JD004	WE600061	3	Star Washer		
JD005	NT606041	3	Locknut		
JD006	11D5264	1	Banjo Bolt		
JD007	3H550	1	Large Copper Washer		
JD008	7H7851	1	Banjo Connector		
JD009	233220A	1	Small Copper Washer		
JD010	17H7108	1	Front Junction Block		
JD011	3H2424	1	Front Junction Block		
JD012	SH604101	1	Screw		
JD013	GHF331	1	Spring Washer		
JD014	AHH6247	1	Spacer		
JD015	13H2303	1	Stop Light Switch (Screw Type)	Up to GHN3 34661 GHN3 34662 On Chrome Bumper Only. For Rubber Bumper See Section KA	
JD016	C16062A	1	Stop Light Switch (Lucar Type)		
JD017A	GBH159	1	Rear Brake Hose	Up to GHN/D5 410000	
JD017B	GBH159SS	1	Stainless Steel Braided Hose		
JD018	3H2424	1	Rear Junction Block		
JD019	AHH6752	1	Bracket		
JD020	SH605071	1	Screw		
JD021	GHF332	1	Spring Washer		
JD022	GHF201	1	Nut		
JD023	GHF101	1	Screw		
JD024	GHF331	1	Spring Washer		
JD025	GHF200	1	Nut		
JD026	BHH1993	1	Hose to Battery Box Bracket		
JD027	SH604041	1	Screw		
JD028	GHF331	1	Spring Washer		
Copper Brake Pipe Kits					GHN/D5 410000 on
JD029A	GAC5022	1	Brake Pipe Set (Servo or Non Servo)		
JD029B	GAC5040	1	Brake Pipe Set (Servo)		
JD029C	GAC5034	1	Brake Pipe Set	Chrome Bumper Rubber Bumper Up to GHN/D5 410000	



Section JD. continued

Single Line Circuit Brakes Pipes & Fittings ('62-'78)

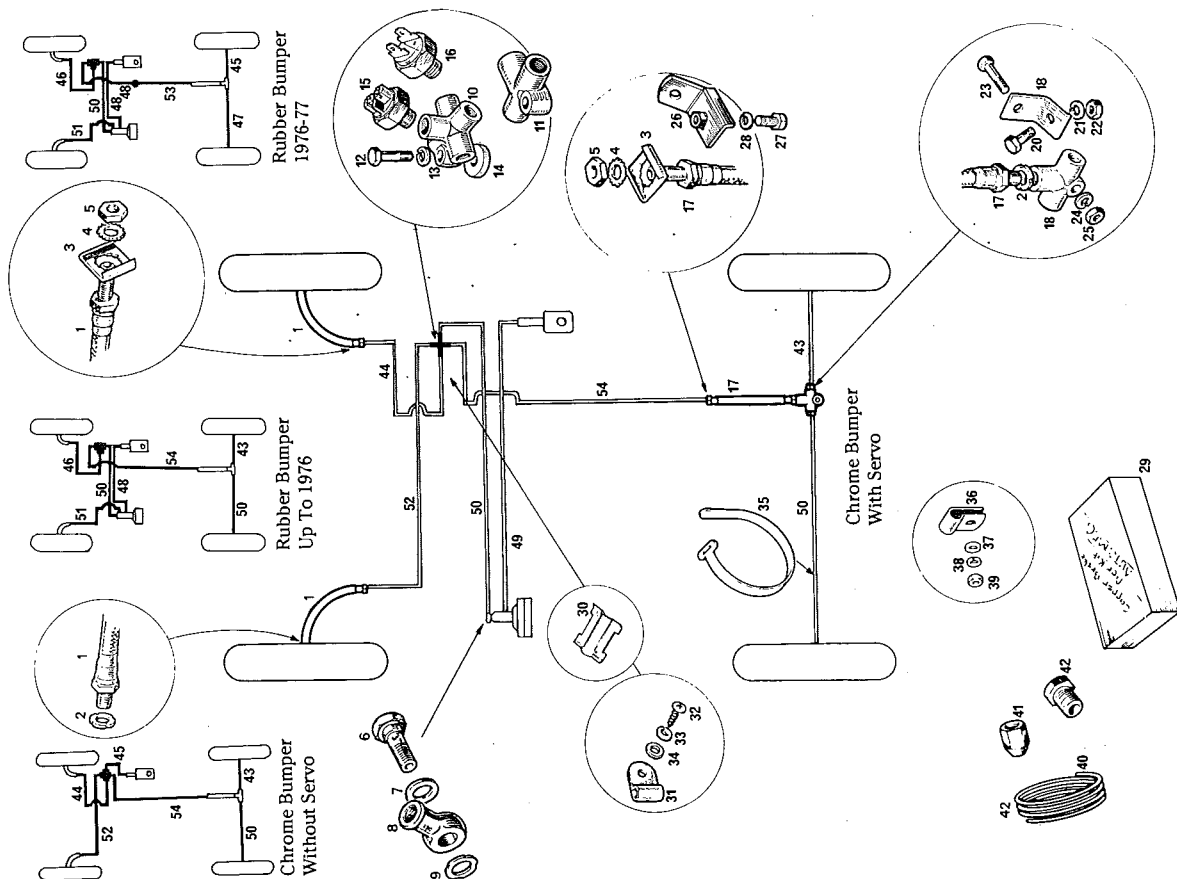
Brake Pipe Fittings

No.	Part No.	Qty.	Description	Remarks
JD030	AHC171	1	Pipe Clip To Inner Valance	
JD031	PCR307	A/R	Pipe Clip	
JD032	AB610041	A/R	Screw	
JD033	WL700101	A/R	Spring Washer	
JD034	PWZ203	1	Flat Washer	
JD035	ACH8650	2	Pipe Retaining Strap	
JD036	PCR311	2/3	Pipe To Diff/Bulkhead Clip	
JD037	GHF301	2	Flat Washer	
JD038	GHF332	2	Spring Washer	
JD039	GHF201	2	Nut	
JD040	GVP3001	A/R	Brake Pipe	
JD041	TN606031	A/R	Female Union	
JD042	TM606031	A/R	Male Union	

Qty. Increased Tube Axle
 Tube Axle Only
 Sold Per Metre

Brake Pipes — Coated Steel

JD043	GPP18AA	1
JD044	GPP24AC	1
JD045	GPP26AA	1
JD046	GPP32AC	1
JD047	GPP36AA	1
JD048	GPP42AA	1
JD049	GPP44AA	1
JD050	GPP46AA	1
JD051	GPP46AC	1
JD052	GPP50AC	1
JD053	GPP68AC	1
JD054	GPP94AC	1



Section JE

Dual Line Circuit With Direct Acting Servo, Brake Pipes & Fittings (78-On)

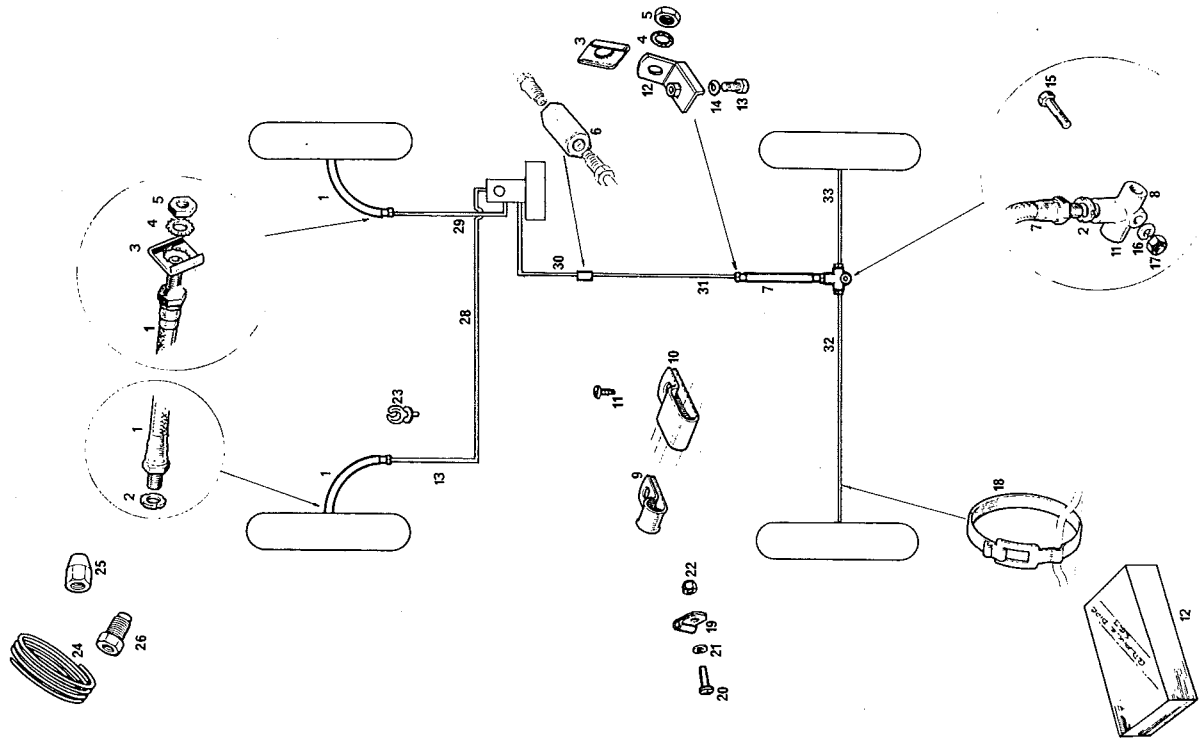
No.	Part No.	Qty.	Description	Remarks
JE001A	GBH172	2	Front Brake Hose	
JE001B	GBH158SS	2	Stainless Steel Braided Hose	Alternative
JE002	233220A	3	Spring Washer	
JE003	1G9198	3	Locking Plate	
JE004	WE600061	3	Star Washer	
JE005	NT606041	3	Locknut	
JE006	BCA4002	1	Pipe Connection	
JE007A	GBH159	1	Rear Brake Hose	
JE007B	GBH159SS	1	Stainless Steel Braided Hose	Alternative
JE008	3H2424	1	Junction Connector	

All Models

JE009	PCR307	A/R	Pipe To Chassis Clip	Single
JE010	AHA8683	A/R	Pipe To Chassis Clip	Double
JE011	AB610041	A/R	Screw	
JE012	BHH1993	1	Hose To Battery Box Bracket	
JE013	SH604041	1	Screw	
JE014	GHF331	1	Spring Washer	
JE015	SH604091	1	Screw	
JE016	GHF331	1	Spring Washer	
JE017	LNZ104	1	Nut	
JE018	ACH8650	2	Pipe Strap To Axle	
JE019	PCR311	A/R	Pipe Clip	
JE020	PMZ306	1	Screw	
JE021	WL700101	1	Spring Washer	
JE022	GHF206	1	Nut	
JE023	CRC1250	1	Plastic Pipe Clip	
JE024	GVP3001	A/R	Brake Pipe	Sold Per Metre
JE025	11D5050	A/R	Female Union	Master Cyl. Union
JE026A	TM110051	A/R	Male Union	
JE026B	3H2249	A/R	Male Union	
JE027	GAC5050	1	Copper Brake Pipe Set	

Replacement Steel Brake Pipes

JE028	GPP106CD	1	M/C to N/S Front Hose
JE029	GPP36CD	1	M/C to O/S Front Hose
JE030	GPP40AD	1	M/C to Connector
JE031	GPP68AC	1	Connector to Rear Hose
JE032	GPP42AA	1	3 Way Union to N/S Rear Hose
JE033	GPP26AA	1	3 Way Union to O/S Rear Hose.

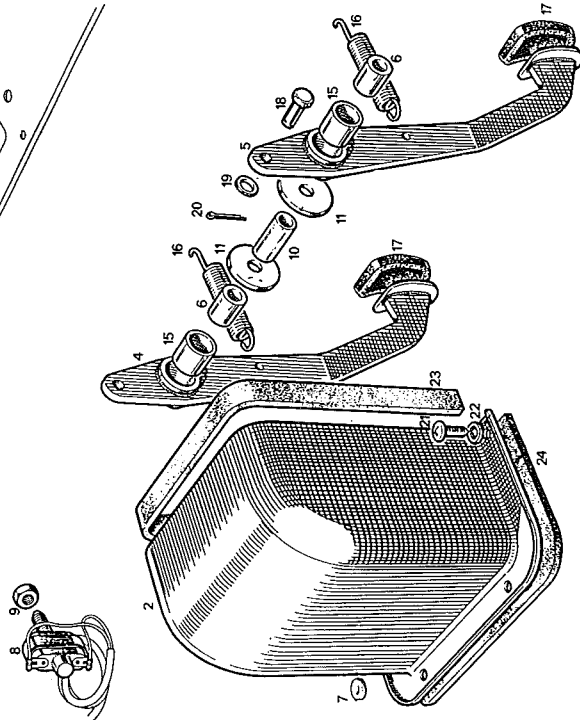
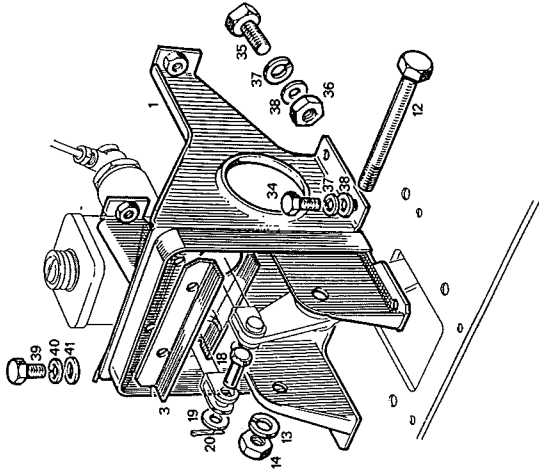
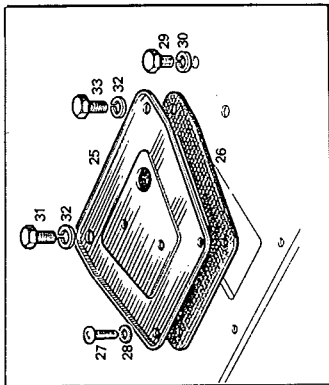


Section KA.

Pedal Box Assembly, All Models Fitted With Single Circuit Brakes (up to 1978)

No.	Part No.	Qty.	Description	Remarks
KA001A	AHH6065	1	Pedal Box	3 Synchro Models (GHN/D3) 4 Synchro Models (GHN/D4-5) Chrome Bumper Rubber Bumper 3 Synchro Models 4 Synchro Models Up to GHN3 15936 GHN3 15937 On 4 Synchro Models Rubber Bumper
KA001B	AHH8421	1	Pedal Box	
KA002A	AHH6919	1	Pedal Box Cover	
KA002B	AHH8556	1	Pedal Box Cover	
KA003	AHH6163	1	Stiffener	
KA004A	AHH6153	1	Brake Pedal	
KA004B	AHH8522	1	Brake Pedal	
KA005	AHH6154	1	Clutch Pedal	
KA006A	AAA4139	2	Bearing Tube	
KA006B	AHH7201	2	Bearing Tube	
KA007	AHH8899	1	Spacer	
KA008	BHA4675	1	Brake Light Switch	
KA009	NT606041	1	Lock Nut	
KA010	AHH6063	1	Spacer Tube	
KA011	PWZ206	2	Flat Washer	
KA012	BH606321	1	Pivot Bolt	
KA013	GHF333	1	Spring Washer	
KA014	GHF202	1	Nut	
KA015	AAA4129	2	Pedal Bush	
KA016	AAA1628	2	Return Spring	
KA017	AHH5100	2	Pedal Rubber	
KA018	CLZ514	2	Clevis Pin	
KA019	GHF301	2	Flat Washer	
KA020	GHF501	2	Split Pin	
KA021A	PMZ308	3	Long Retaining Screw	
KA021B	PMZ312	3	Short Retaining Screw	
KA022	WL700101	4	Spring Washer	
KA023	AHH6156	1	Top Sealing Gasket	
KA024	AHH7052	1	Bottom Sealing Gasket	
KA025	AHH6510	1	Blanking Plate	
KA026	AHH6511	1	Blanking Plate Seal	
KA027	PMZ308	2	Screw	
KA028	WL700101	2	Spring Washer	
KA029	SH605051	1	Screw	
KA030	GHF332	1	Spring Washer	
KA031	SH604051	1	Screw	
KA032	GHF331	3	Spring Washer	
KA033	SH604031	2	Blanking Screw	
KA034	SH604051	6	Screw	
KA035	SH604071	1	Screw	
KA036	GHF200	1	Nut	
KA037	GHF331	7	Spring Washer	
KA038	GHF300	7	Flat Washer	
KA039	SH605051	1	Screw	
KA040	GHF332	1	Spring Washer	
KA041	GHF301	1	Flat Washer	

When Fitted



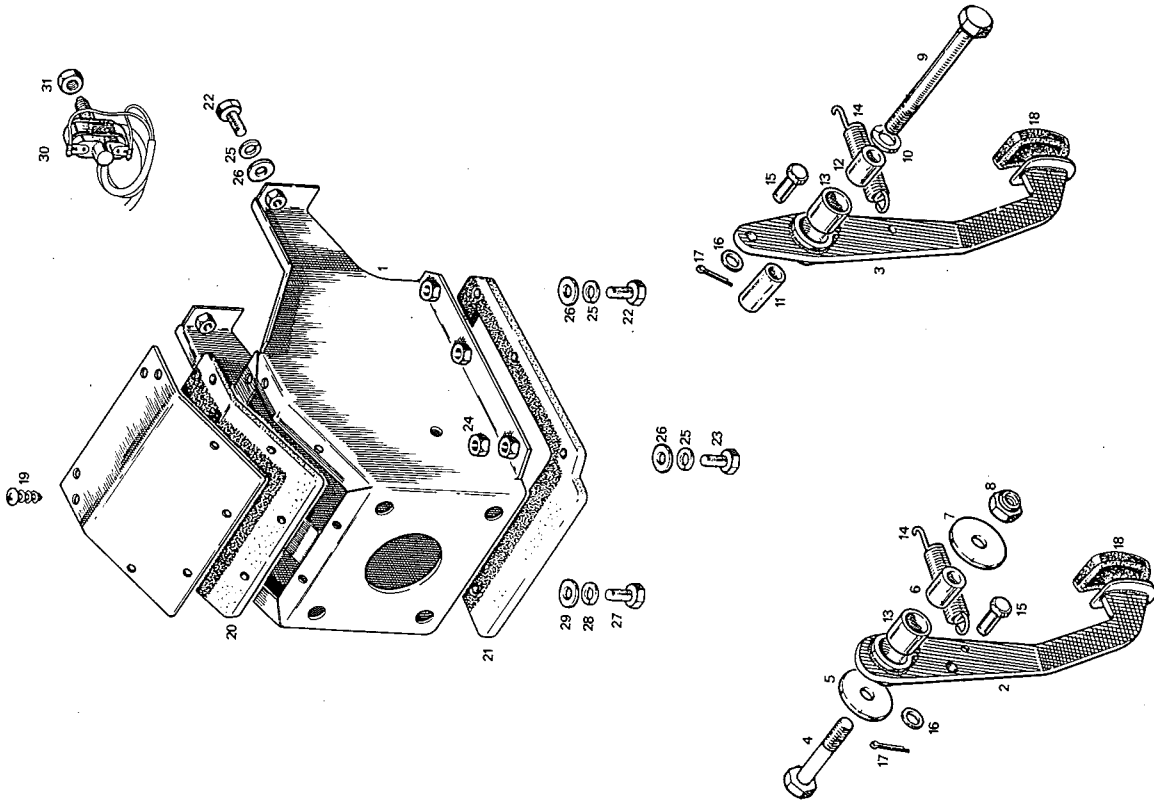
Section KB.

Remarks

No. Part No. Qty. Description

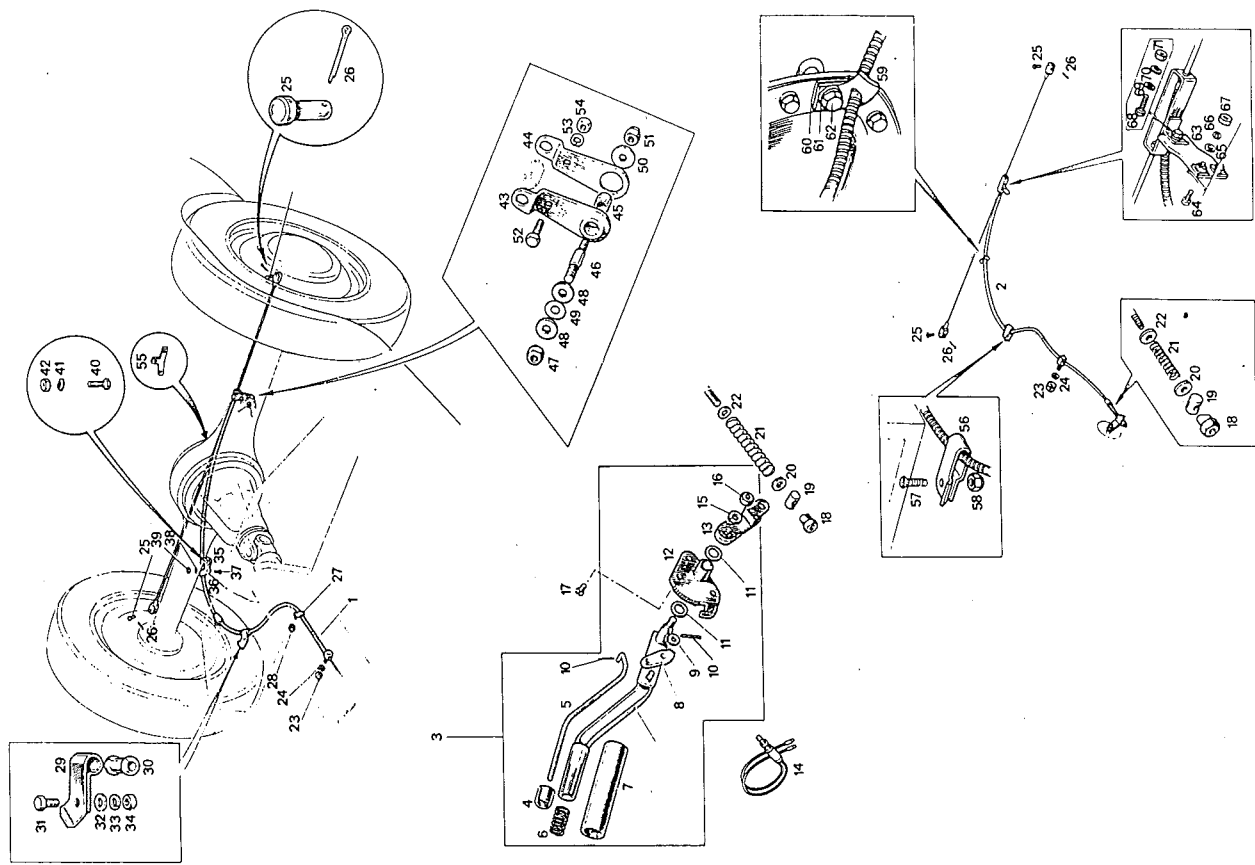
Pedal Box Assembly, Dual Circuit Models ('78-On)

KB001	BHH1859	1	Pedal Box
KB002	BHH1890	1	Brake Pedal
KB003	BHH1891	1	Clutch Pedal
All Models			
KB004	BH606141	1	Brake Pedal Support Bolt
KB005	PWZ306	1	Flat Washer
KB006	BHH1097	1	Distance Tube
KB007	PWZ206	1	Flat Washer
KB008	LNZ106	1	Stiff Nut
KB009	BH606161	1	Clutch Support Bolt
KB010	GHF333	1	Spring Washer
KB011	BHH1098	1	Spacer
KB012	BHH1099	1	Distance Tube
KB013	BHH1101	2	Pedal Bush
KB014	BHH2387	2	Pedal Spring
KB015	CLZ514	2	Clevis Pin
KB016	GHF301	2	Flat Washer
KB017	GHF501	2	Split Pin
KB018	AHH5100	2	Pedal Rubber
KB019	GHF423	8	Lid Screw
KB020	BHH1108	1	Lid Seal
KB021	BHH1096	1	Box To Bulkhead Seal
KB022	SH604051	6	Short Screw 1/4" Dia.
KB023	SH604071	1	Long Screw 1/4" Dia.
KB024	GHF200	3	Nut
KB025	GHF331	7	Spring Washer
KB026	GHF300	7	Flat Washer
KB027	SH605051	1	Screw 5/16" Dia.
KB028	GHF332	1	Spring Washer
KB029	GHF301	1	Flat Washer
KB030	BHA4675	1	Brake Light Switch
KB031	NT606041	1	Adjusting Nut



Section KC.

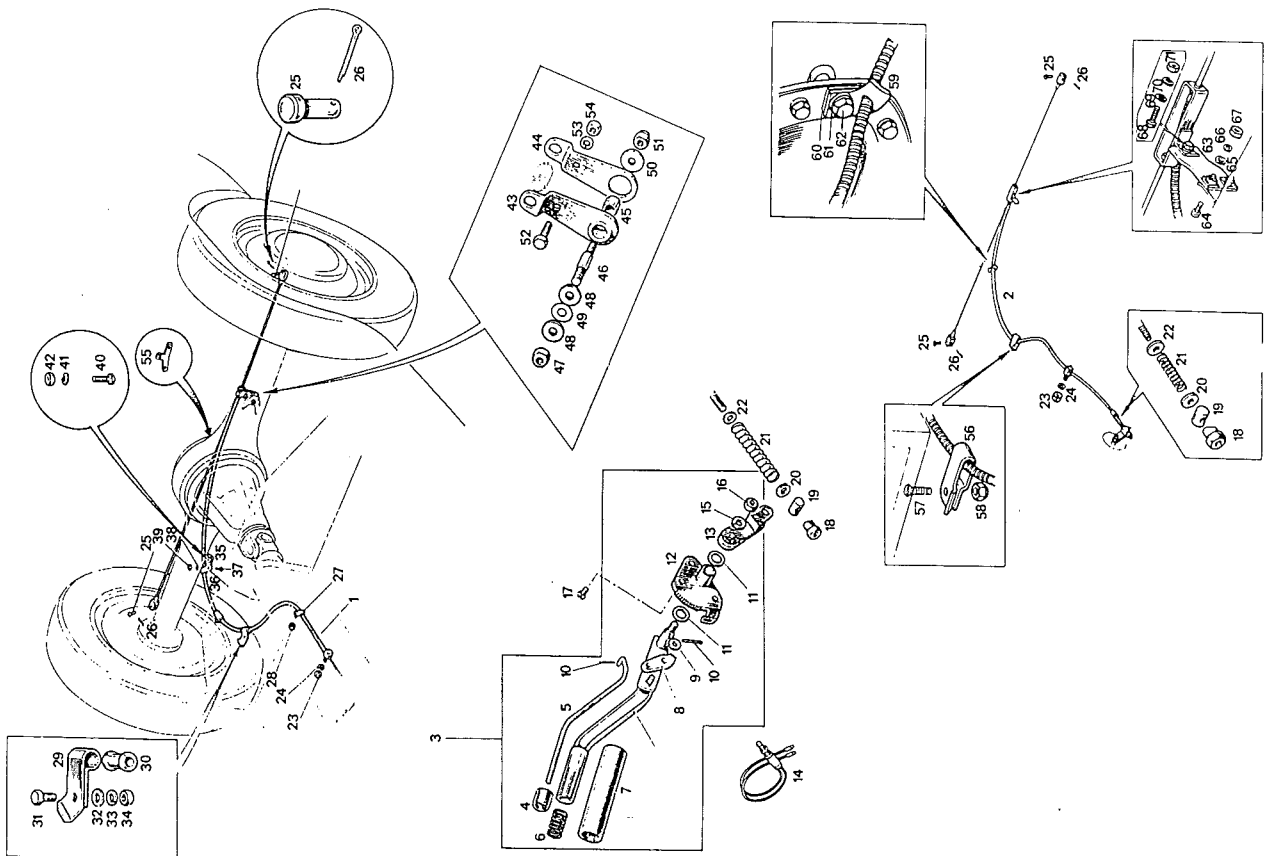
No.	Part No.	Qty.	Description	Remarks
Steel Wheel Handbrake Cables				
KC001A	AHH5227	1	Banjo Axle Roadster	(62-'66)
KC001B	AHH7391	1	3 Synchro Tube Axle	(65-'67)
KC001C	GVC1004	1	4 Synchro Tube Axle	(67-'74)
KC001D	GVC1016	1	Rubber Bumper (Cable)	Up to GHN/D5 415000 (74-'76)
KC002A	GVC1014	1	Rubber Bumper (Rod)	GHN/D5 415001 Jn (76-On)
Wire Wheel Handbrake Cables				
KC001E	AHH5228	1	Banjo Axle Roadster	(62-'66)
KC001F	AHH7392	1	3 Synchro Tube Axle	(65-'67)
KC001G	GVC1005	1	4 Synchro Tube Axle	(67-'74)
KC001H	BHH1471	1	Rubber Bumper (Cable)	Up to GHN/D5 415000 (74-'76)
KC002B	GVC1015	1	Rubber Bumper (Rod)	GHN/D5 415001 On (76-On)
Handbrake Lever & End Fixings				
KC003A	BHH538	1	Handbrake Assembly	Chrome Bumper Models
KC003B	BHH2503	1	Handbrake Assembly	Rubber Bumper Models
KC004	AHH6231	1	Knob	(67-On)
KC005	AHC548	1	Rod	(67-On)
KC006	AHC549	1	Spring	
KC007	AHH6228	1	Grip	
KC008	AHH6232	1	Pawl	
KC009	GHF300	1	Washer, flat	
KC010	GHF501	2	Split Pin	
KC011	AHH6234	2	Washer	
KC012A	AHH6233	1	Ratchet	
KC013A	AHH6235	1	Cable Lever	
KC012B	BHH2504	1	Ratchet	
KC013B	BHH1469	1	Cable Lever	
KC014	AAU2492	1	Handbrake Warning Switch	
KC015	GHF302	1	Flat Washer	
KC016	GHF273	1	Lock Nut	
KC017	88G295	3	Mounting Screw	
KC018	ACH5104	1	Adjuster Nut	
KC019	AHH5322	1	Trunnion	
KC020	PWZ204	1	Flat Washer	
KC021	ACH8508	1	Spring	
KC022	GHF300	1	Flat Washer	
KC023	GHF201	1	Nut	
KC024	GHF332	1	Spring Washer	
KC025	ACB8715	2	Clevis Pin	
KC026	GHF501	2	Split Pin	
KC027	AHH6236	1	Cable Clamp	
KC028	NY910041	1	Nyloc Nut	



Section KC Continued.

Handbrake System.

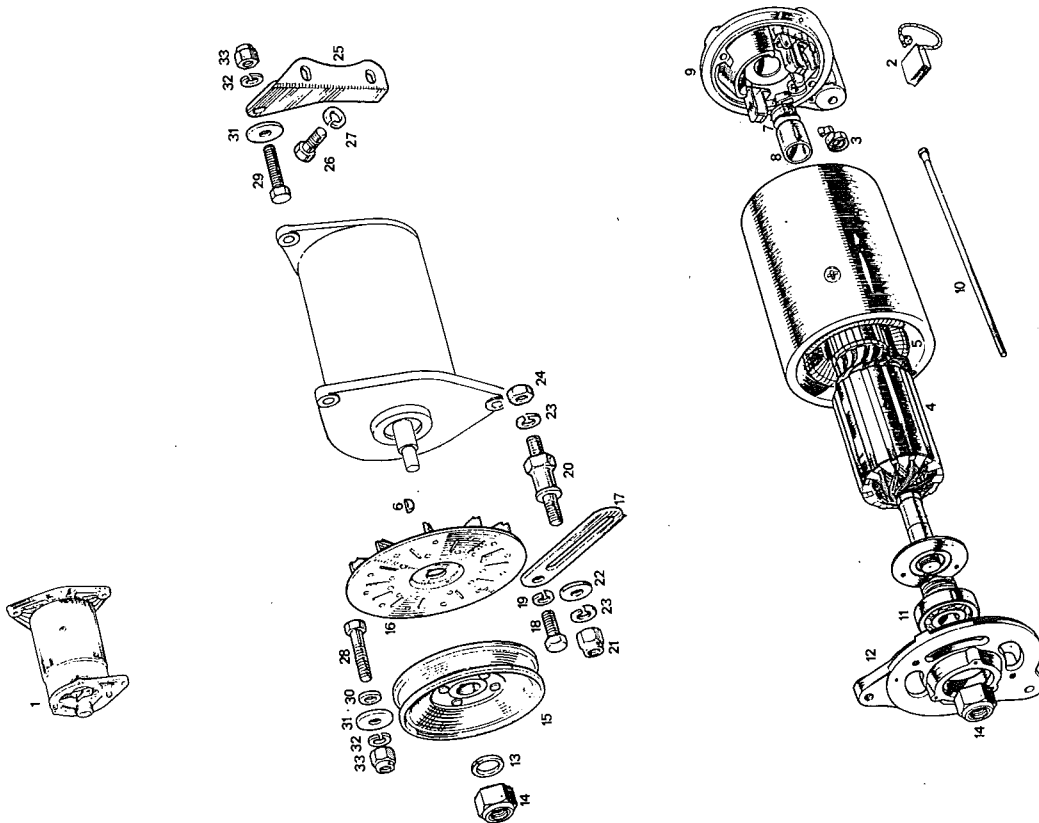
No.	Part No.	Qty.	Description	Remarks
Cable Brackets and Clips Up To GHN/D5 415000 ('62-'76)				
KC029	AHH6237	1	Support Clip	
KC030	ACH8529	1	Ferrule	
KC031	SH604051	1	Screw	
KC032	GHF300	1	Flat Washer	
KC033	GHF331	1	Spring Washer	
KC034	GHF200	1	Nut	
KC035	AHH6752	1	3 Way Mounting Bracket	
KC036	AHH5295	1	Cable To Bracket Clip	
KC037	SH605051	1	Locating Screw	
KC038	GHF332	1	Spring Washer	
KC039	GHF201	1	Nut	
KC040	PMZ306	1	Screw	
KC041	WL700101	1	Spring Washer	
KC042	GHF206	1	Nut	
KC043	AHH5203	1	Top Compensator Bracket	
KC044	ACH5101	1	Bottom Compensator Bracket	
KC045	AHH5225	1	Bush	
KC046	AHH5025	1	Fulcrum Pin	
KC047	LNZ106	1	Stiff Nut	
KC048	GHF303	2	Flat Washer	
KC049	AWZ107	1	Anti Rattle Washer	
KC050	PWZ205	1	Flat Washer	
KC051	LNZ105	1	Stiff Nut	
KC052	SH604051	1	Screw	
KC053	GHF331	1	Spring Washer	
KC054	GHF200	1	Nut	
KC055	BTB738	1	Tube Axle Mounting Bracket	
Cable Brackets for Rod Type Cable GHN/D5 415001 On ('76-On)				
KC056	PCR809	1	Battery Box Mounting Clip	
KC057	SH604051	1	Mounting Screw	
KC058	GHF221	1	Nut	
KC059	BHH2136	1	Differential Strap	
KC060	24A1356	1	Spacer	
KC061	AWZ107	1	Flat Washer	
KC062	SH605071	1	Screw	
KC063	HBS1001	1	Rear Axle Strap	
KC064	GHF117	2	Rear Axle Mounting Screw	
KC065	PWZ204	2	Flat Washer	
KC066	GHF331	2	Spring Washer	
KC067	GHF200	2	Nut	
KC068	SH605061	1	Screw	
KC069	PWZ205	1	Flat Washer	
KC070	GHF332	1	Spring Washer	
KC071	GHF201	1	Nut	



Section LA.

Dynamo Assembly 3 Synchro Models ('62-'67)

No.	Part No.	Qty.	Description	Remarks
LA001	GEU1101	1	Rebuilt Dynamo Assembly	
LA002	GG8102	1	Brush Set	(Less Fan & Pulley)
LA003	RTC466A	1	Brush Spring Set	
LA004	509311A	1	Armature	
LA005	607141A	1	Field Coil	
LA006	WKN404	1	Key	
LA007	47H5394	1	Oiler	
LA008	7H5390	1	Rear Bearing	
LA009	47H5395	1	Rear Bracket Assembly	
LA010	242675A	2	Assembly Retaining Bolt	
LA011	529221A	1	Front Bearing	
LA012	27H7647	1	Front Bracket Assembly	
LA013	GHF334	1	Spring Washer	
LA014	NT607041	1	Nut	
LA015	12H1178	1	Dynamo Pulley	
LA016	17D11	1	Dynamo Fan	
LA017	AEA679	1	Adjusting Link	
LA018	SH505051	1	Dynamo To Link Screw	Coarse Thread
LA019	GHF332	1	Spring Washer	
LA020	2A128	1	Adjusting Link Pillar	
LA021	GHF223	1	Nyloc Nut	
LA022	GHF302	1	Flat Washer	
LA023	GHF333	2	Spring Washer	
LA024	FNZ506	1	Rear Nut	
LA025	12A526	1	Rear Mounting Bracket	
LA026	SH605061	2	Bracket To Engine Screw	
LA027	GHF332	2	Spring Washer	
LA028	BH605141	1	Dynamo To Pump Bolt	
LA029	SH605091	1	Dynamo To Rear Bracket Screw	
LA030	2K5975	1	Spacing Washer (Pump To Dynamo)	
LA031	GHF301	2	Flat Washer	
LA032	GHF332	2	Spring Washer	
LA033	GHF222	2	Nyloc Nut	



Section LB.

Alternator Assembly & Fittings ('68-On)

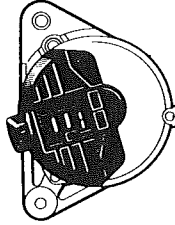
No.	Part No.	Qty.	Description	Remarks
18GD Alternator 16AC With Separate Regulator Box ('68 Only)				
LB001	37H2245	1	Rebuilt Alternator Assembly (23548)	Less Fan & Pulley
LB002	BHA4789	1	Control Box 4 TR	
LB003	GG8503	1	Brush Set	
LB004	BAU5063	1	Rectifier	
LB005	2H2599	1	Rear Bearing	
LB006	529221A	1	Front Bearing	
LB007	27H3832	1	'O' Ring Oil Seal	
LB008	AAU2053A	1	Rotor	
LB009	JS443A	1	Slip Ring	
LB010	37H2257	1	Stator	
LB011A	GEU2211	1	ACR Type Alternator (Replaces 1&2)	
LB012	GEU250	1	Socket Conversion Kit	

From Late 1968 Various Lucas ACR Alternators were fitted. These have now been rationalised to the following:

Rebuilt ACR Alternators Less Fan & Pulley ('68-On)

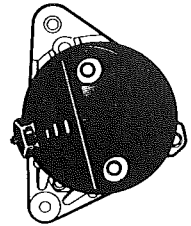
LB011B	GEU2211	1	16 ACR Alternator	('69-'74 Roadsters only) ('69-'74 Roadsters & GTs) ('75-'78 Roadsters & GTs) ('78 on Roadsters & GTs)
LB011C	GEU2206	1	18 ACR Alternator	
LB011D	GEU2213	1	18 ACR Alternator	
LB011E	GEU2206	1	18 ACR Alternator	

UNIT IDENTIFICATION

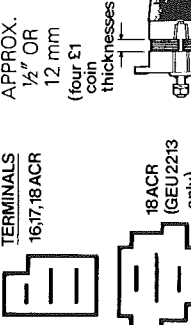


16AC Types

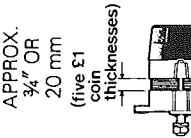
Plastic half section back cover, for use with an external regulator. Replace with ACR type, and convert wiring using European Termination Kit GEU250. Remove external regulator and reconnect as shown. Available as right or left hand Negative - ve earth units only.



TERMINALS
16,17,18ACR



TERMINALS
16,17,18ACR



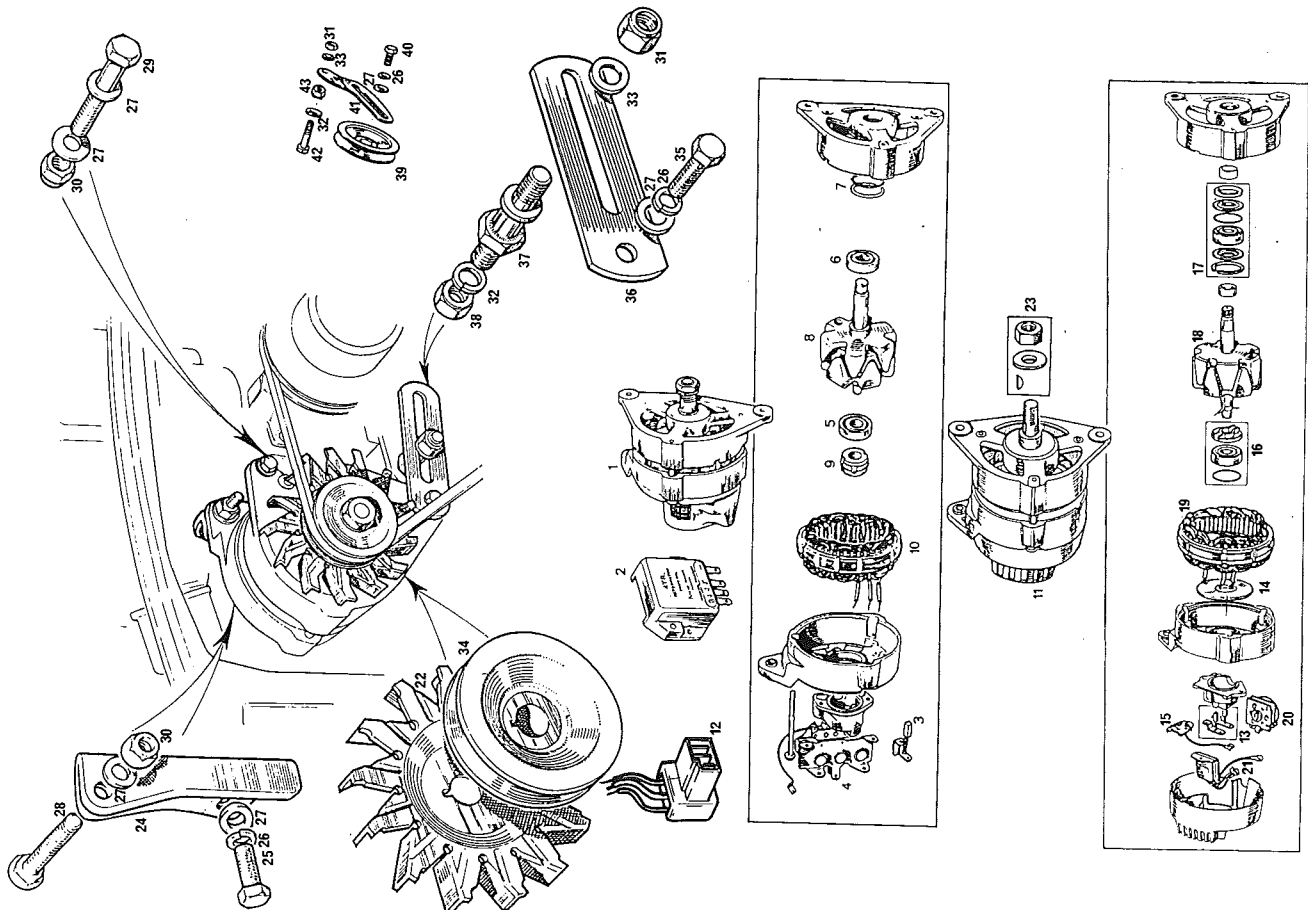
TERMINALS
18ACR (GEU2213 only)

APPROX.
3/4" OR
20 mm
(five £1 coin thicknesses)

APPROX.
1/2" OR
12 mm
(four £1 coin thicknesses)

APPROX.
3/4" OR
20 mm
(five £1 coin thicknesses)

16-17-18 ACR Types
Full plastic back cover, left or right hand negative earth units only. Adjustable fixing centres with split collar and inbuilt regulator.



Section LB. Continued.

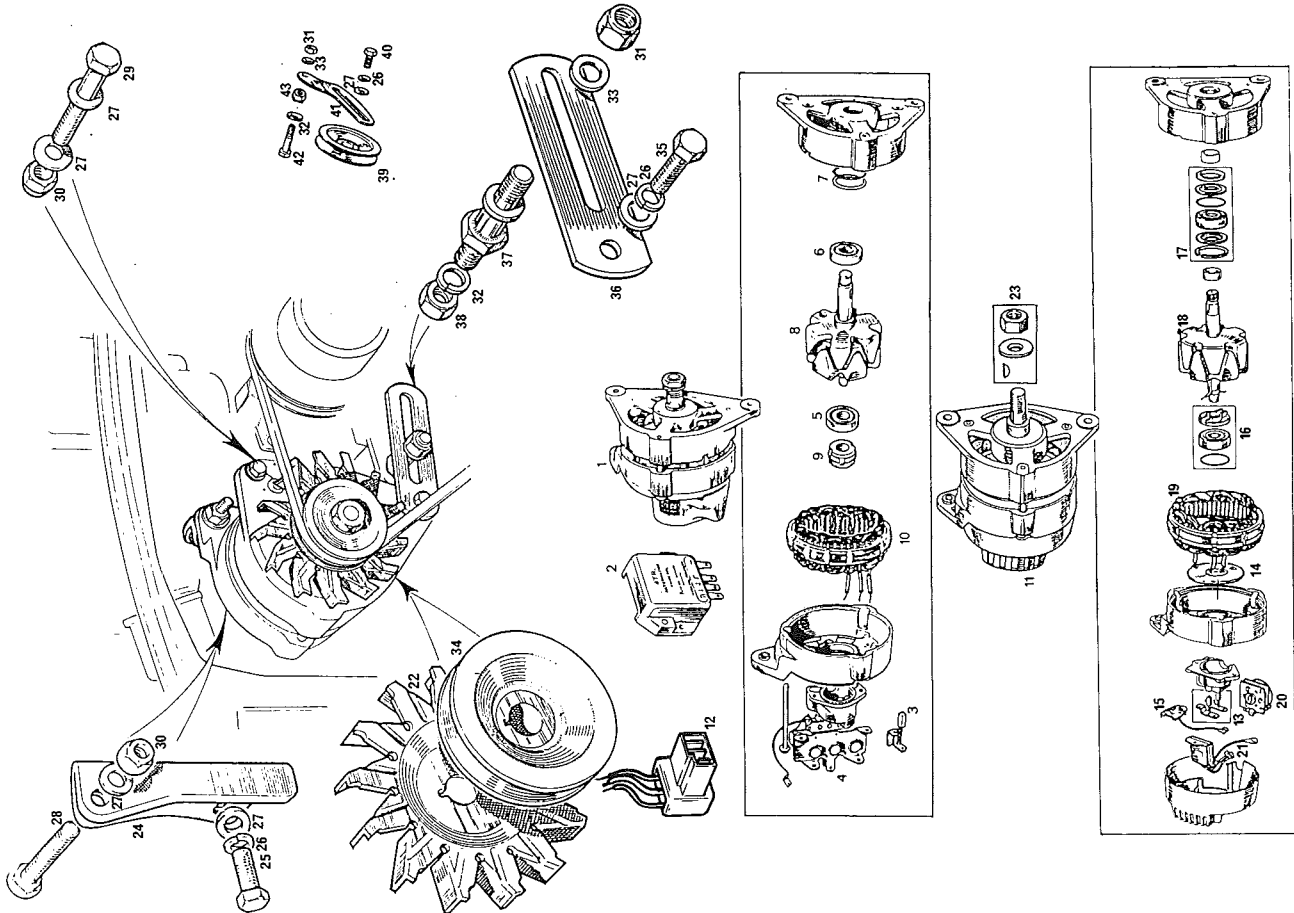
Alternator Assembly & Fittings ('69-On)

No.	Part No.	Qty.	Description	Remarks
ACR Alternator Components				
LB013	GGB504	1	Brush Set	[When Fitted]
LB014	JS443A	1	Slip Ring	
LB015	AEU3079A	1	Surge Protector	
LB016	18G8620	1	Rear Bearing	
LB017A	18G8619	1	Front Bearing (23804/23566/ 23716/7/23745/48/23640)	
LB017B	37H4779	1	Front Bearing (23756/23737)	
LB018A	AAU2053A	1	Rotor (23804/23566/23716/7)	
LB018B	607691A	1	Rotor (23745/48/23640/ 23756/23737)	
LB019A	37H2257	1	Stator (23804/23566/23716/7)	
LB019B	37H7966	1	Stator (23745/48/23640)	
LB019C	37H7254	1	Stator (23756/23737)	
LB020A	AEU4152A	1	Rectifier (23804/23745/48)	
LB020B	37H7962	1	Rectifier (23756)	
LB020C	BAU5063	1	Rectifier (23566/23640)	
LB020D	BAU2288A	1	Rectifier (23716/7/23737)	
LB021A	BAU4443A	1	Regulator (23566/23716/7/23640/23737)	
LB021B	BAU5264	1	Regulator (23804/23745/48)	
LB021C	AAU4486	1	Regulator (23756)	

When ordering these components, please quote the five figure Lucas number shown on the outside of the unit.

Alternator Fittings, All Models

LB022	C37222A	1	Alternator Fan	(To Convert Dynamo Engine)	
LB023	37H2258	1	Pulley Fixing Kit		
LB024A	12H2517	1	Rear Mounting Bracket		
LB024B	12G1053	1	Conversion Bracket		
LB025	SH605061	2	Bracket Screw		
LB026	GHF332	3	Spring Washer		
LB027	GHF301	6	Flat Washer		
LB028	GHF104	1	Rear Mounting Bolt		
LB029	BH605141	1	Front Mounting Bolt		
LB030	GHF222	2	Top Mounting Nyloc Nut		
LB031	GHF223	1	Front Mounting Nyloc Nut		
LB032	GHF333	1	Spring Washer		
LB033	GHF302	1	Flat Washer		
LB034	12G1054	1	Alternator Pulley		
LB035	SH505051	1	Coarse Screw	('68-'76) Up to GHN/D5 410000	
LB036	AEA679	1	Adjusting Link		
LB037	2A128	1	Link Pillar		
LB038	FNZ506	1	Rear Nut		
LB039	BAU1461A	1	Alternator Pulley		
LB040	SH108181	1	Special Screw		('76-On) GHN/D5 410001 On
LB041	12G2627	1	Adjusting Link		
LB042	SH606111	1	Link Pivot Screw		
LB043	GHF202	1	Lock Nut		



Section LC.

Starter Motor

No.	Part No.	Qty.	Description	Remarks
-----	----------	------	-------------	---------

3 Synchro Models, Inertia Type M418G ('62-'67)

Lucas Numbers

LC001	GEU4418	1	Rebuilt Starter Motor Assembly	25555/25598 25609
LC002	53K149	2	Starter To Gearbox Screw	
LC003	GHF333	2	Spring Washer	
LC004	37H4289	1	Drive Assembly	Includes 5 & 6
LC005	27H7818	1	Main Spring	
LC006A	WKN505	1	Woodruff	Only used on unit carrying Lucas no. 25555
LC007	WKN505P	1	Drive Pin	Only used on units carrying Lucas no. 25598/25609
LC008	27H5010	1	Front Mounting Plate	
LC008	44714A	1	Front Bush	
LC009	7H5013	1	Field Coil	
LC010	7H5339	2	Assembly Retaining Bolt	
LC011	7H5000	1	Cover Band	
LC012	7H5498	1	End Plate Assembly	
LC013	242958A	1	Rear Bush	
LC014	GSB103	1	Brush Set	
LC015	27H2291	1	Brush Spring	Includes 13,14,&15.

4 Synchro Models, Pre-Engaged Types M418G & 2M100 ('68-On)

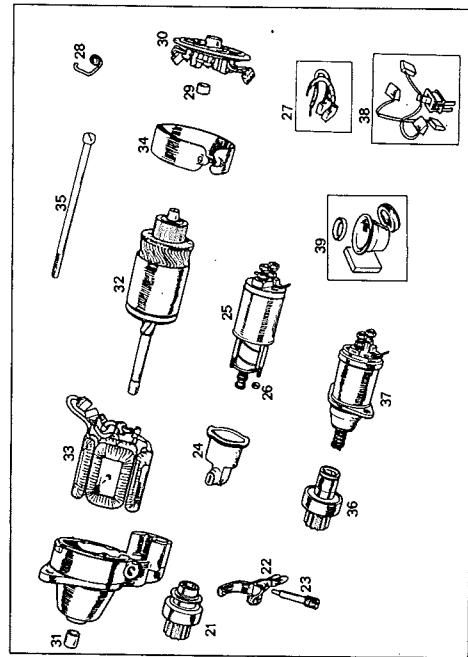
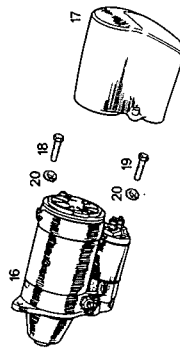
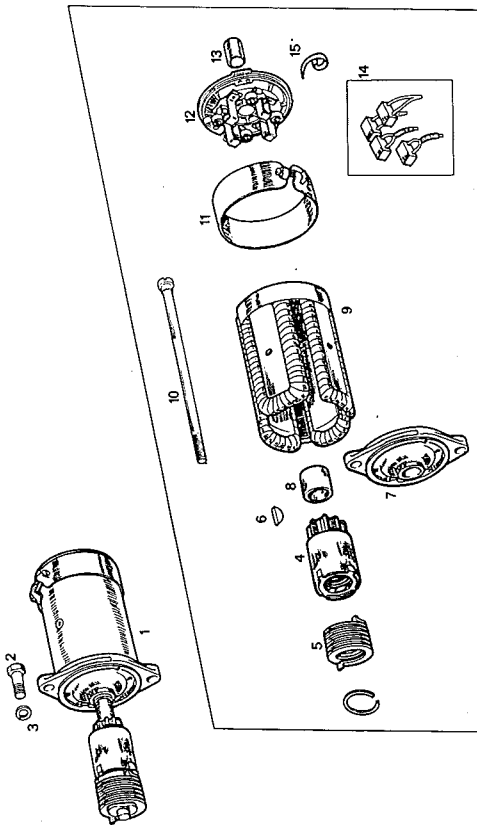
LC016	GEU4441	1	Rebuilt Starter Motor Assembly	
LC017	BHH790	1	Waterproof Gaiter	
LC018	BH506141	1	Top Fixing Bolt	
LC019	BH606081	1	Bottom Fixing Bolt	
LC020	GHF333	2	Spring Washer	

M418G Starter Components (Units carrying Lucas nos. 25616/25660) ('68-'71)

LC021	37H1890	1	Drive Assembly	
LC022	37H2552	1	Pinion Lever	
LC023	37H2551	1	Pivot Bolt	
LC024	37H4793	1	Gaiter	
LC025	37H4792	1	Solenoid	
LC026	27H6593	2	Nut	
LC027	GSB103	1	Brush Set	
LC028	27H2291	4	Brush Spring	
LC029	47H5340	1	Rear Bush	
LC030	37H1889	1	End Plate Assembly	
LC031	27H8177	1	Front Bush	
LC032	37H1888	1	Armature	
LC033	37H3051	1	Field Coil	
LC034	37H4794	1	Cover Band	
LC035A	27H5534	2	Assembly Retaining Bolt	Includes 27,28,&29

2M100 Starter Components (Unit carrying Lucas no. 25654) ('71 on)

LC035B	27H5534X	2	Assembly Retaining Bolt	
LC036	37H8724	1	Drive Assembly	
LC037	BAU1091	1	Solenoid	
LC038	GSB108	1	Brush Set	
LC039	37H6869	1	Gaiter Kit	

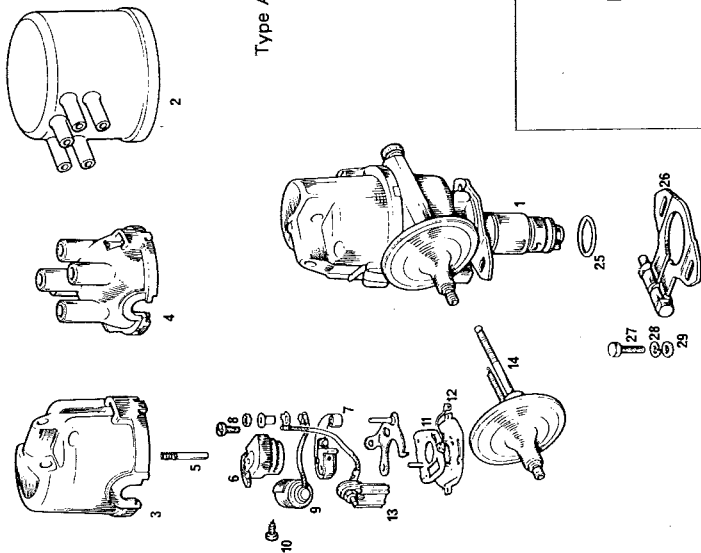


Section LD.

Distributors

2 Types of Lucas distributors were used on home market production. They are:- Type A 25D4, Type B 45D4.

The Lucas number of the distributor has been quoted for ease of identification. This number can be found stamped on the main body of the distributor, close to the vacuum unit.



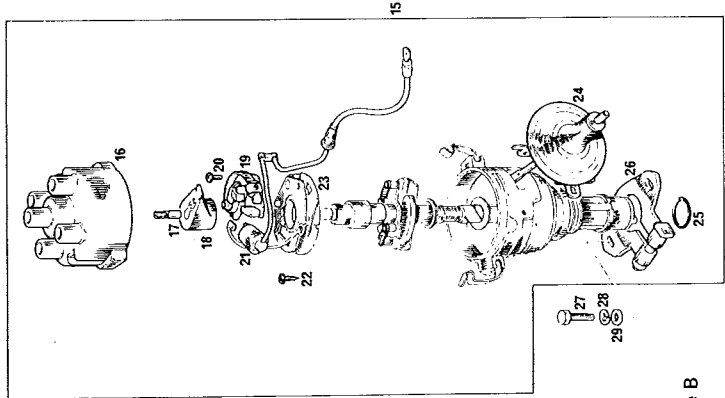
Remarks

Type A 25D Distributors ('62-'74)

No.	Part No.	Qty.	Description	Remarks
LD001A	12H792E	1	Lucas No 40897 ('62-'67) Recon	18G - 18GB
LD001B	12H2722E	1	Lucas No 41155 ('67-'70) Recon	18GD - 18V581/582/583
LD001C	12H2894E	1	Lucas No 41288 ('62-'70) Recon	Replacement for 1A & 1B
LD001D	12H3580E	1	Lucas No 41339 ('71-'74) Recon	18V779/780
LD001E	12H3580N	1	Lucas No 41339 ('71-'74) New	18V779/780

Component Parts For 25D Distributors

No.	Part No.	Qty.	Description	Remarks
LD002	8G726	1	Waterproof Cover	('62-'67)
LD003	GDC102	1	Distributor Cap (Side Entry)	('62-'67)
LD004	GDC103	1	Distributor Cap (Top Entry)	('68-'74)
LD005	262703A	1	Rotor Brush	
LD006	GRA101	1	Rotor Arm	
LD007A	GCS107	1	Contact Set (Points)	
LD007B	GCS101	1	"Quick Fit" Contact Set	
LD007C	GCS111	1	Competition Contact Set	
LD008	GCS1001S	1	Retaining Screw	
LD009	GSC111	1	Condenser	
LD010	GSC1001S	1	Condenser Screw	
LD011A	17H5469	1	Standard Base Plate	
LD011B	17H5471	1	Quick Fit Base Plate	
LD012	17H5531	1	Earth Lead	
LD013	37H2981	1	Low Tension Terminal	
LD014A	515959	1	Vacuum Unit For No 40897/41155/41288	('62-'70)
LD014B	RTC1425	1	Vacuum Unit For No 41339	('71-'74)
LD025	513682A	1	'O' Ring	
LD026	3H2138	1	Clamp	
LD027	GHF117	2	Screw	
LD028	GHF331	2	Spring Washer	
LD029	GHF300	2	Flat Washer	



Type B

Section LD. Continued

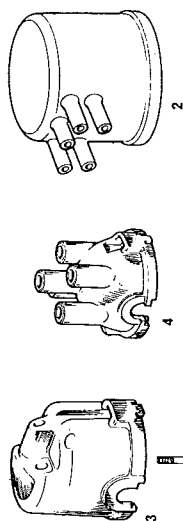
Type B 45D4 Distributors

LD015A	12H5038	1	Lucas No 4127
LD015B	13H9694	1	Lucas No 41610 ('75 on)

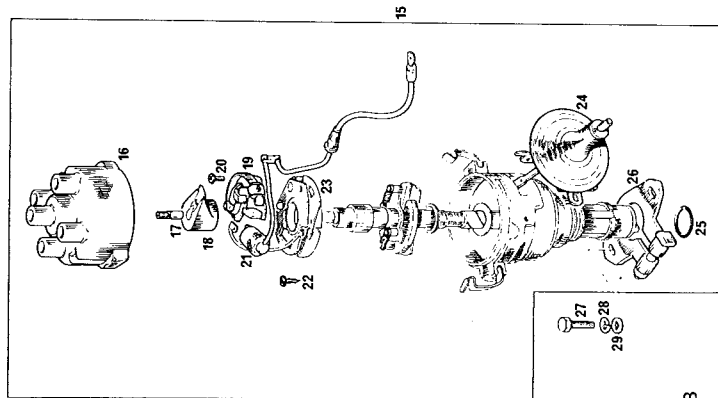
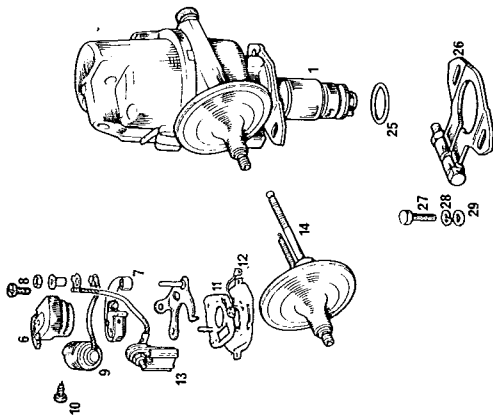
May replace all 25D units. ('62-'74)

Component Parts for 45D4 Distributors

LD016	GDC136	1	Distributor Cap
LD017	37H8230	1	Brush & Spring
LD018	GRA114	1	Rotor Arm
LD019	GCS118	1	Contact Set
LD020	GCS1001S	1	Retaining Screw
LD021	GSC109	1	Condenser
LD022	GSC1001S	1	Condenser Screw
LD023	37H8297	1	Base Plate
LD024A	37H8298	1	Vacuum Unit For No 41427
LD024B	AAU2233	1	Vacuum Unit For No 41429
LD025	513682A	1	'O' Ring
LD026	3H2138	1	Clamp
LD027	GHF117	2	Screw
LD028	GHF331	2	Spring Washer
LD029	GHF300	2	Flat Washer



Type A

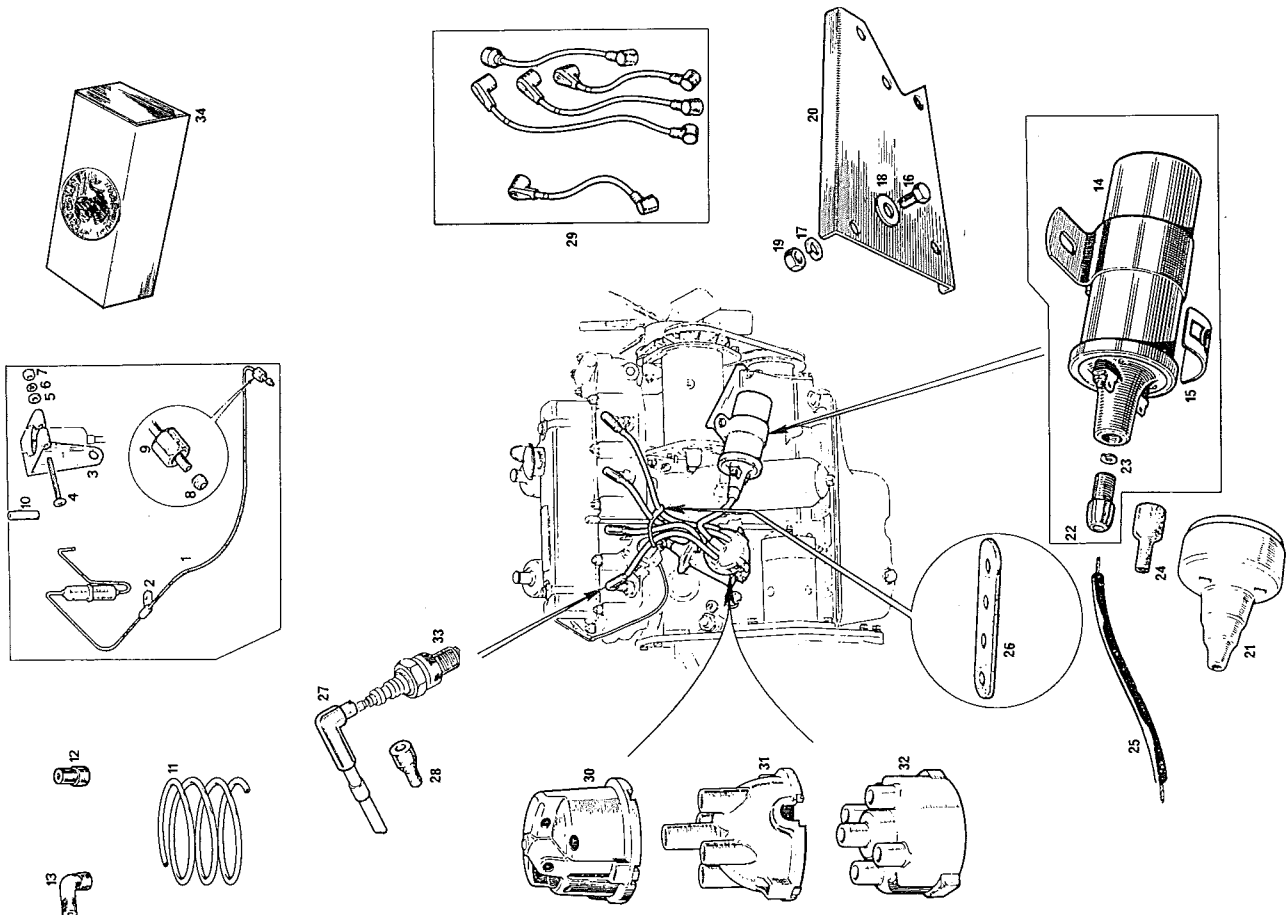


Type B

Section LE.

Vacuum Pipes, Coil, HT Leads and Fittings

No.	Part	No. Qty.	Description	Remarks
LE001	12H733	1	Metal Vacuum Pipe	
LE002	12H90	1	Retaining Clip	
LE003	1H841	1	Expansion Tank Clip	
LE004	PMZ216	1	Locating Screw	
LE005	PWZ102	1	Flat Washer	
LE006	LWZ302	1	Spring Washer	
LE007	NH806011	1	Nut	
LE008	6K649	1	Distributor Olive	
LE009	6K650	1	Distributor Nut	
LE010	ACH9041	1	Carburettor Connector	
LE011	37H4229M	1	Plastic Vacuum Pipe	
LE012	12B2095	A/R	Straight Connector	
LE013	12B2062	A/R	Angled Connector	
LE014A	GCL110B	1	Ignition Coil (Screw In Cable)	
LE014B	GCL110	1	Ignition Coil (Push In Cable)	
LE014C	GCL111	1	Ignition Coil (Ballasted)	
LE015	CRST156	1	Lucas Coil Decal	
LE016	SH604051	2	Coil Retaining Screw	
LE017	GHF332	2	Spring Washer	
LE018	GHF301	2	Flat Washer	
LE019	GHF201	2	Nut	
LE020	AH6857	1	Mounting Bracket	
LE021	8G727	1	Waterproof Coil Cover	
LE022	105036	1	Screw Connector	
LE023	214279A	1	Special Copper Washer	
LE024	GCL1110	1	HT Connector	
LE025A	AAA5981M	2	Black HT Lead (Metre)	
LE025B	TT2982M	2	Yellow/Black HT Lead (Metre)	
LE026	1G2673	1	Ignition Lead Spacer	
LE027A	3H1422	4	Spark Plug Cap	
LE027B	WCX600	4	Spark Plug Cap	
LE028	8G728	4	Sealing Sleeve	
LE029A	GHT102	1	Ignition Lead Set Inc. Caps	
LE029B	GHT106	1	Ignition Lead Set Inc. Caps	
LE029C	GHT184	1	Ignition Lead Set Inc. Caps	
LE030	GDC102	1	Side Entry Cap	
LE031	GDC103	1	Top Entry Cap 25D	
LE032	GDC136	1	Top Entry Cap 45D	
LE033	GSP163	4	Standard Fitment Spark Plug	
LE034A	TT2970/PO	1	Pirahna* Electronic Ignition 25D	
LE034B	TT2970	1	Pirahna* Electronic Ignition 25D	
LE034C	TT2971	1	Pirahna* Electronic Ignition 45D	

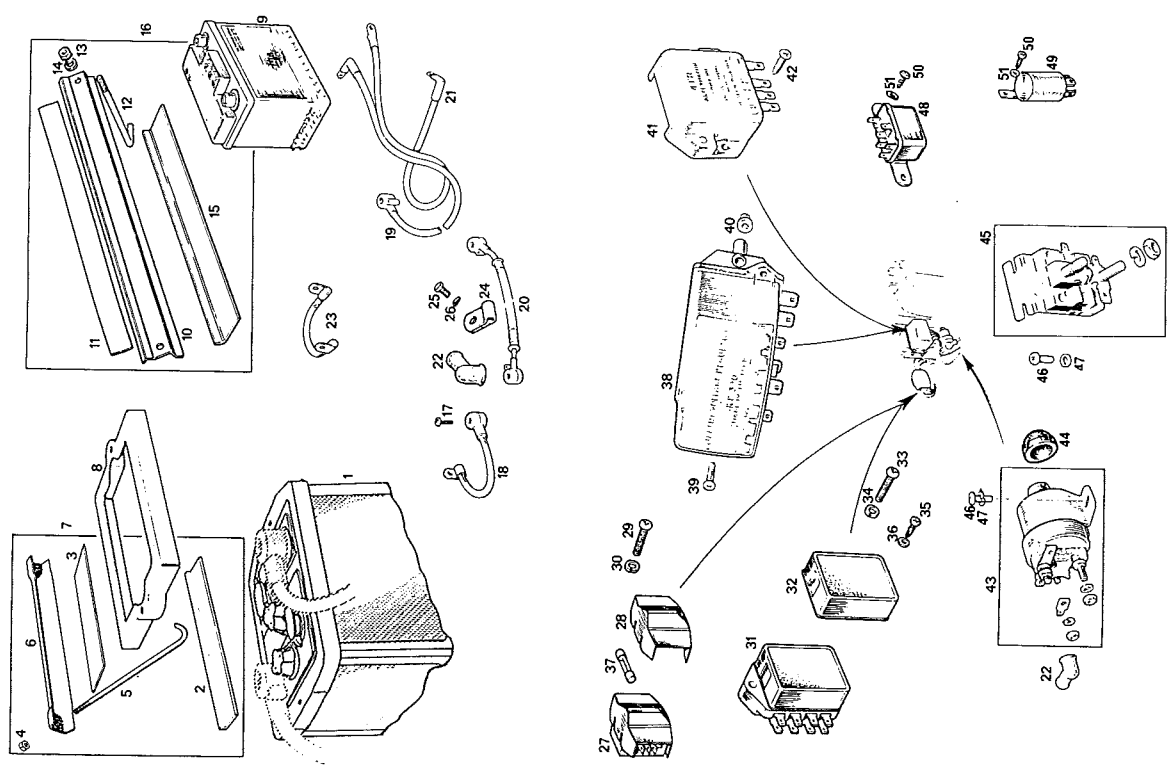


* The Pirahna Electronic Ignition System replaces the standard points with an optical, contactless, system. This means that once it has been fitted, no further adjustment will be required. The system will still give an accurate 'Dwell' when fitted to a worn distributor.

Section LF

Batteries, Control Boxes, Fuse Boxes and Relays

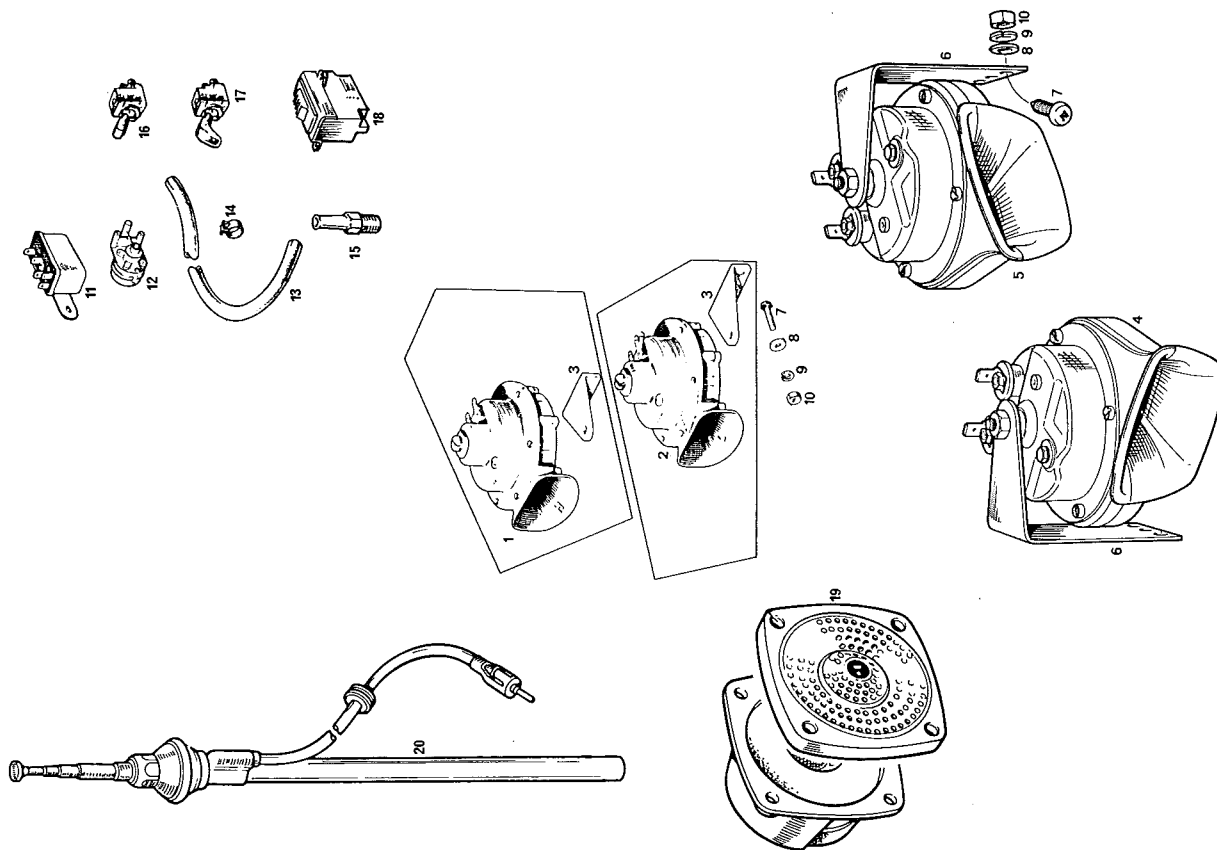
No.	Part No.	Qty.	Description	Remarks
LF001A	MG-6-VOLT	2	6 Volt Battery	Dry Charged
LF001B	MG-6-VOLTX	2	6 Volt Battery Period Design	Dry Charged
LF001C	GBYA1	2	6 Volt Battery	Wet Charged - cannot be mailed
LF002	AHH6351	4	Seating Pad	Use With 6
LF003	AHH5169	2	Clamp Packing	(62-'74) Chrome Bumper
LF004	NT604041	8	Locknut	Contains 2 - 6
LF005A	AHH6750	4	Stay For Side Clamp	Alternative Clamp For Heavy Duty Battery
LF006	AHH6353	2	Side Clamp	Contains 2, 4, 5B & 8A
LF007	AHH6353K	2	Clamp Kit	Dry Charged
LF005B	BHH198	4	Stay For Top Clamp	Wet charged - cannot be mailed
LF008A	AHH7109	2	Top Clamp	(74-On) Rubber Bumper
LF008B	AHH7109K	2	Top Clamp Kit	Contains 10 - 15
LF009A	MG-12-VOLT	1	12 Volt Battery	Positive Earth
LF009B	GBYL17	1	12 Volt Battery	Negative Earth
LF010	34G2065	1	Clamp Bracket	Chrome Bumper Only
LF011	37H3743	1	Clamp Packing	3 Synchro Only
LF012	BHH1586	2	Stay	
LF013	GHF221	2	Nyloc Nut	
LF014	GHF300	2	Flat Washer	
LF015	AHH6351	2	Mounting Pad	
LF016	34G2065K	1	Battery Retaining Clamp Kit	
LF017	2K8645	4/2	Terminal Screw	
LF018A	131113	1	Battery Earth Cable	
LF019A	AHH5449	1	Battery To Solenoid Cable	
LF018B	5L924	1	Battery Earth Cable	
LF019B	AHH8792	1	Battery To Solenoid Cable	
LF020	BHA4348	1	Link Cable	
LF021	AHA6280	1	Solenoid To Starter Cable	
LF022	8G548	1	Cable End Cover	
LF023	5L1137	1	Power Unit Earth Cable	
LF024	AHH6354	1	Clip	
LF025	GHF117	1	Screw	
LF026	GHF331	1	Spring Washer	
LF027	606253A	1	Fuse Box	
LF028	505158A	1	Fuse Box Cover	
LF029	PMZ310	1	Fixing Screw	
LF030	WL700101	1	Spring Washer	
LF031	37H4727	1	Fuse Box	
LF032	37H4727A	1	Fuse Box cover	
LF033	PMZ310	2	Fuse Box Fixing Screw	
LF034	WL700101	2	Spring Washer	
LF035	AB610081	2	Screw	
LF036	13H4302	2	Trap Nut	
LF037	GFS3035	AVR	35 Amp Fuse	
LF038	GEU6605	1	Voltage Regulator	(17 Amp Continuous) Dynamo Models
LF039	AB608051	2	Fixing Screw	3 Synchro
LF040	GHF1030	2	Trap Nut	(62-'67)
LF041	BHA4789	1	Control Box 4TR	(68 Only)
LF042	AB608051	2	Fixing Screw	Up to GHN4/D4 158230
LF043	BCA4501	1	Starter Solenoid (Round)	(62-'66)
LF044	27H5576	1	Rubber Solenoid Cap	Round Solenoid Only
LF045	BMK1727	1	Starter Solenoid (Square)	(66-'67)
LF046	PMZ306	2	Solenoid Screw	(62-'67)
LF047	WL700101	2	Spring Washer	
LF048	142169A	1	Starter Relay 6RA	(69-'76)
LF049	CHM68	AVR	Relay (Round Type)	(76-On)
LF050A	GHF423	2/1	Screw	Quantity Reduced
LF051	GHF306	2/1	Flat Washer	1976 on



Section LG.

Horns, O/Drive Electrics & Radio Accessories

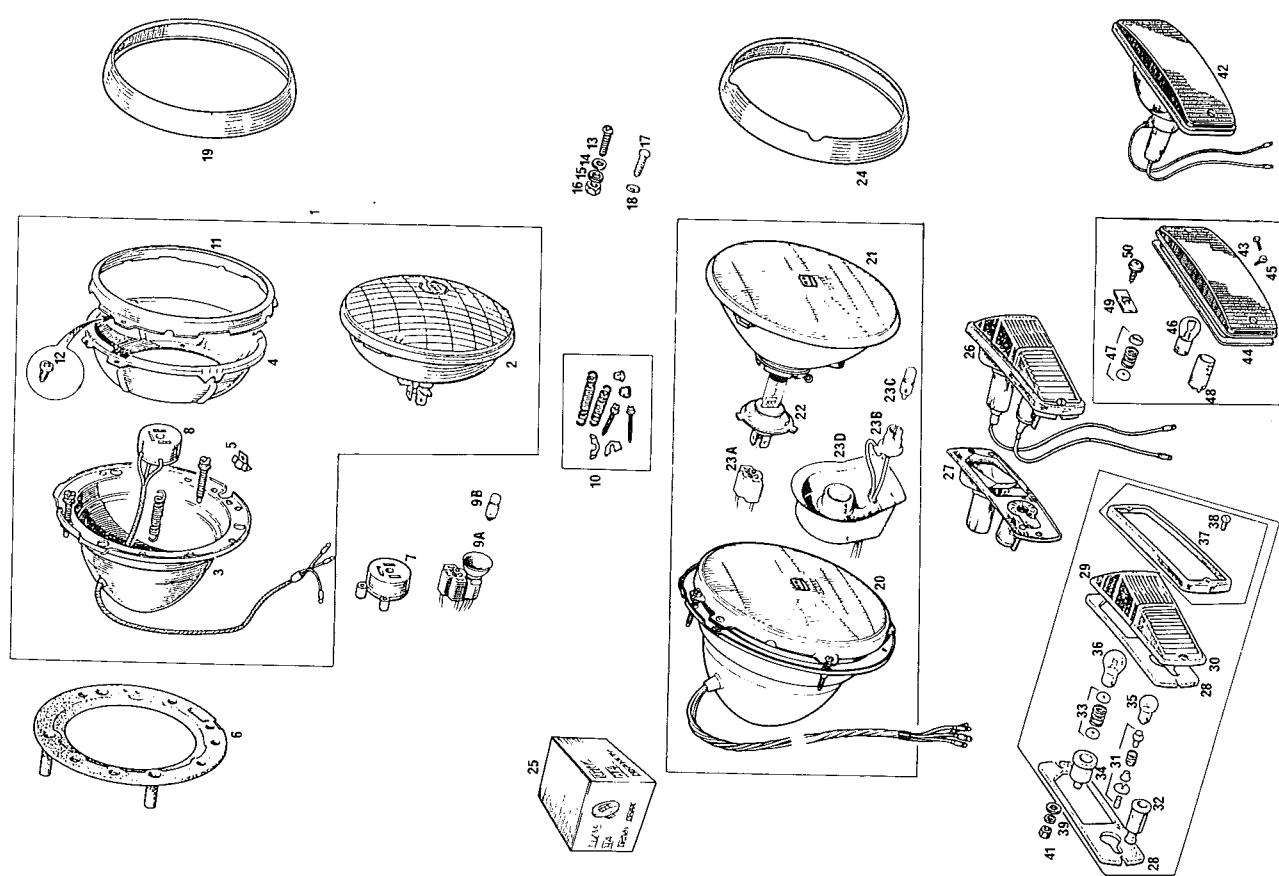
No.	Part No.	Qty.	Description	Remarks
LG001	BHA4515	1	High Note Metal Horn	Chrome Bumper
LG002	BHA4514	1	Low Note Metal Horn	
LG003	607950A	2	Metal Horn Mounting Bracket	
LG004A	GGE103	1	High Note Plastic Horn	Rubber Bumper Up to GHN/D5 417000
LG005A	GGE104	1	Low Note Plastic Horn	
LG004B	GGE101	1	High Note Plastic Horn	GHN/D5 417001 On
LG005B	GGE102	1	Low Note Plastic Horn	
LG006	GGE110	2	Plastic Horn Mounting Bracket	
LG007	SE604051	4	Horn Mounting Screw	
LG008	GHF300	4	Flat Washer	
LG009	GHF331	4	Spring Washer	
LG010	GHF200	4	Nut	
LG011	142169A	1	Overdrive Relay	(62-74)
LG012	BHA4282	1	Overdrive Vacuum Switch	
LG013	AHH6747	1	Vacuum Hose	
LG014	88G308	2	Clip	
LG015	AHH6962	1	Manifold Adaptor	
LG016	RTC430A	1	Straight Overdrive Switch	
LG017	BHA4513	1	Angled Overdrive Switch	
LG018	520999A	1	Gear Shift Mounted Overdrive Switch	GHN5 417001 On Standard Fitment
LG019	BHM7177	2	Door Mounted Speaker	
LG020	AJM1112	1	Aerial	



Section MA.

Headlamps & Front Side Indicator Lamps

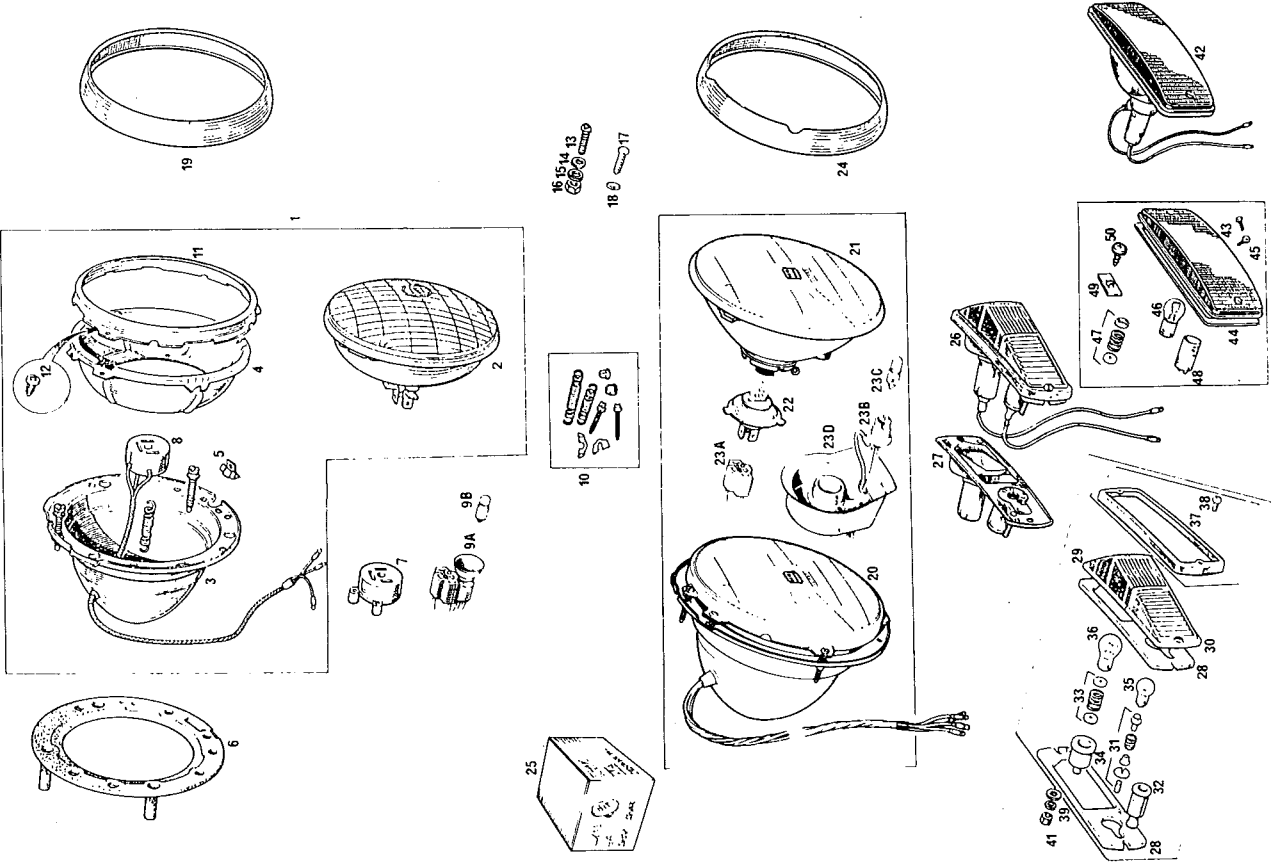
No.	Part No.	Qty.	Description	Remarks
Headlamps - Up to 1976 (Sealed Beam Units)				
MA001A	27H8263	2	Headlamp Assembly, 60/45 Watts	Up to 1969
MA001B	599254	2	Headlamp Assembly, 75/50 Watts	1970-74
MA001C	BHA5378	2	Headlamp Assembly, 75/50 Watts	1975-76 (with pilot bulb)
MA002A	GLU101	2	Light Unit, 60/45 Watts	Up to 1969
MA002B	XBC10103	2	Light Unit, 75/50 Watts	1970-74
MA002C	GLU123	2	Light Unit, 75/50 Watts	1975-76 (provision for pilot)
MA003	SML3	2	Headlamp Bowl	
MA004	SML4	2	Inner Bowl	
MA005	BAU1460	2	Headlamp Bezel Clip	
MA006	13H565	2	Headlamp to Body Gasket	
MA007	600226	2	Adaptor Block	
MA008	BAU2110	2	Block & Harness	
MA009A	BAU2111	2	Block, Pilot Bulb Holder & Harness	Chrome Bumper
MA009B	GLB501	2	Bulb, Pilot	Rubber Bumper '75-'76
MA010	BHM7058	2	Adjuster Kit	
MA011	515218A	2	Retaining Rim	
MA012	AB606021	6	Rim Screw	
MA013	PMZ310	8	Screw	
MA014	GHF306	8	Flat Washer	
MA015	WL700101	8	Spring Washer	
MA016	GHF206	8	Nut	
MA017	AB610051	8	Self Tapping Screw	
MA018	WE702101	8	Washer	
MA019	57H5296	2	Chrome Bezel	For later and all Replacement Wings
Headlamps - Sept 1976 on (Halogen)				
MA020	AEU1899A	2	Headlamp Assembly, Halogen	
MA021	XAP109	2	Reflector Unit, Halogen	
MA022A	GLB472	2	Halogen Bulb	Original style, flat glass Standard Power
MA022B	GLB472A	2	Halogen Bulb	100W Main Up-rated Alternative
MA023A	BAU2111X	2	Block, Pilot Bulb Holder & Harness	
MA023B	BBU1738	2	Bulb Holder	
MA023C	GLB233	2	Bulb, Pilot	
MA023D	BAU1770A	2	Headlamp Gaiter	
MA019	57H5296	2	Chrome Bezel, Plain	Up to GHN/D5 505066
MA024	ALU1020	2	Chrome Bezel with Adjustment Cut-outs	GHN/D5 505066 on
Headlamps - Halogen Conversion Kits				
MA025A	GAC4023	1	Complete Conversion Kit (Lucas H4)	For pre-1976 models
MA025B	GAC4023W0B	1	Complete Conversion Kit (Wipac Quadoptic) Alternative, Chrome Bumper	
MA025C	GAC4023B	1	Complete Conversion Kit (Wipac Quadoptic) Alternative, Rubber Bumper	
('62-'74) Indicator and Sidelamp Chrome Bumper				
MA026	BHA4966	2	Amber/White Sidelamp Assembly	
MA027A	SML2	2	Sidelamp Back Plate	
MA027B	BHA4966A	2	Backplate with Harness	
MA028	57H5572	4	Sealing Gasket Lens/Back Plate	
MA029	516306	2	Amber Indicator Lens	
MA030	516308	2	White Sidelamp Lens	
MA031	244700A	2	Sidelamp Holder Fittings	
MA032	37H5294	2	Bulb Holder Boot	
MA033	37H5452	2	Flasher Lamp Holder Fittings	
MA034	17H5216	2	Bulb Holder Boot	
MA035	GLB989	2	Sidelamp Bulb	
MA036	GLB382	2	Flasher Lamp Bulb	



Section MA Continued

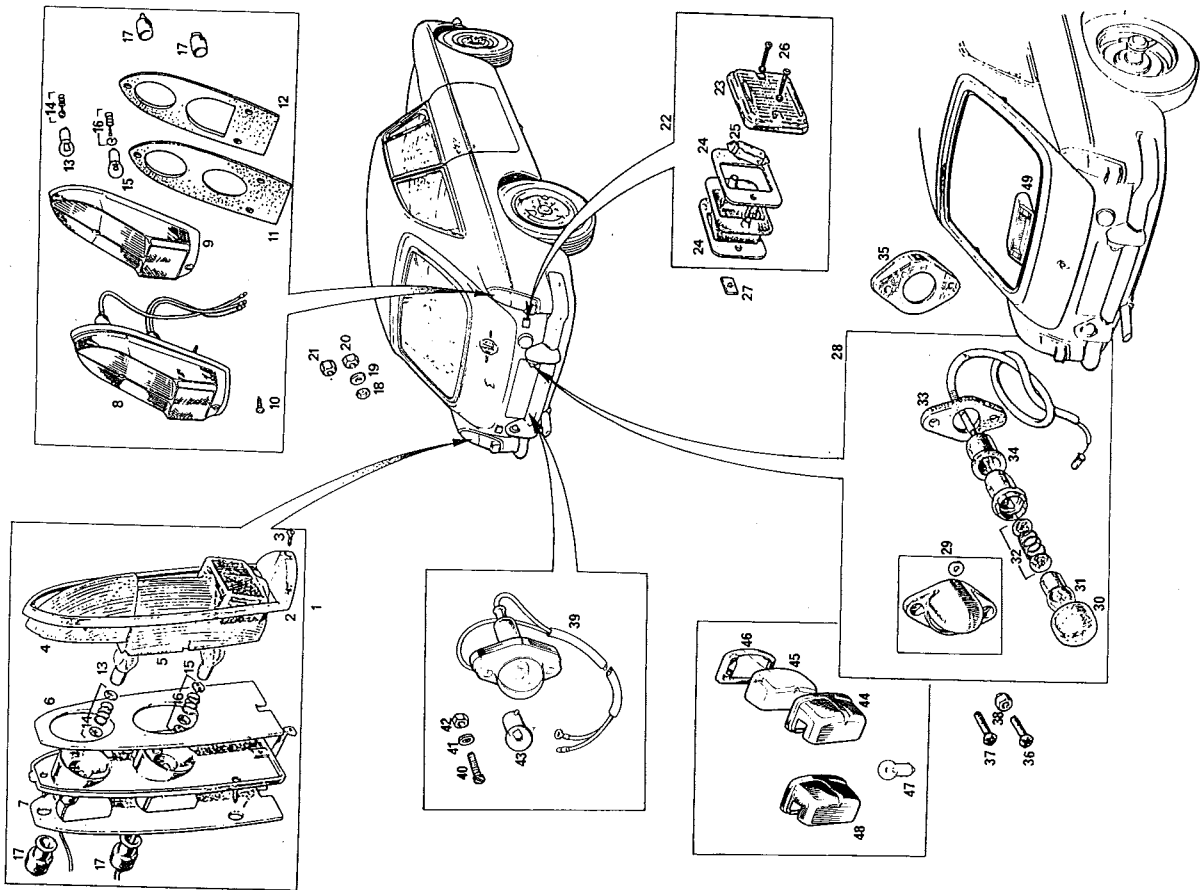
Headlamps & Front Side Indicator Lamps

No.	Part No.	Qty.	Description	Remarks
MA037	516304	2	Lens Retaining Rim	
MA038	57H5569	4	Retaining Rim Screw	
MA039	GHF306	4	Flat Washer	
MA040	WL700101	4	Spring Washer	
MA041A	GHF206	4	Nut	
MA041B	2A9156	4	Nut, Alternative	
(74-on) Turn Indicator Lamp Rubber Bumper				
MA042	BHA5322	2	Lamp Assembly	
MA043	37H8759	2	Amber Lens	
MA044	37H8759G	4	Seating Gasket	
MA045	PMP208	4	Lens Fixing Screw	
MA046	GLB382	2	Bulb	
MA047	37H5452	2	Bulb Holder Fixings	
MA048	17H5216	2	Bulb Holder Boot	
MA049	BHA5323	4	Lamp Assembly Spire Nut	
MA050	GHF426	4	Screw Lamp to Bumper	



Section MB.

Rear Lamp Assemblies

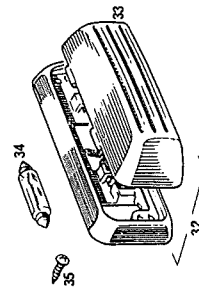
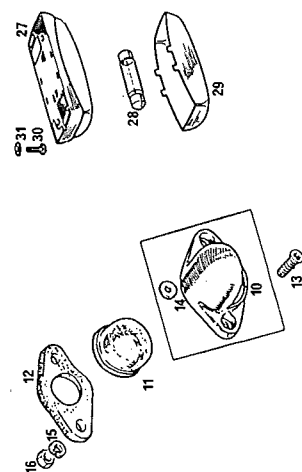
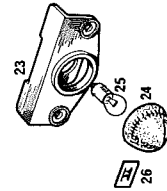
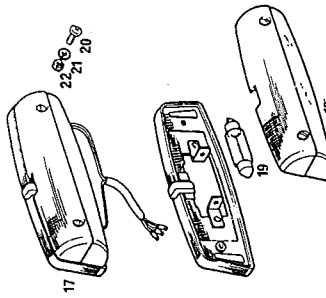
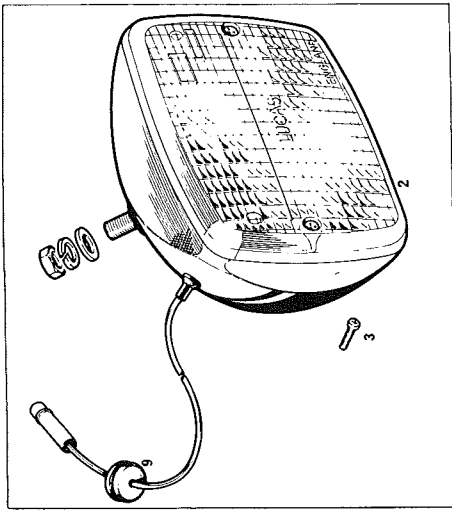


No.	Part No.	Qty.	Description	Remarks	
MB001	BHA4175	2	Rear Lamp Assembly	('62-'69) GHN/D3 & GHN/D4 Models	
MB002	57H5355	2	Lens Retaining Bezel		
MB003	RMP308	2	Bezel Retaining Screw		
MB004	57H5354	2	Flasher Lens		
MB005	57H5357	2	Stop/Tail Lens		
MB006	57H5356	2	Lens Seating Gasket		
MB007	57H5358	2	Lamp Seating Gasket	('69-On) GHN/D5 Models	
MB008	BHA4973	2	Rear Lamp Assembly		
MB009	37H4737	2	Red & Amber Lens		
MB010	518868	4	Lens Retaining Screw		
MB011	37H4737A	2	Lens Seating Gasket		
MB012	37H4679	2	Lamp Seating Gasket		
MB013	GLB382	2	Flasher Bulb	Alternative Fitting To 21	
MB014	37H5452	2	Flasher Lamp Holder Fittings		
MB015	GLB380	2	Stop/Tail Bulb		
MB016	37H5459	2	Bulb Holder Fittings		
MB017	17H5216	4	Bulb Holder Boot		
MB018	GHF306	6	Flat Washer		
MB019	WL700101	6	Spring Washer	('67-On)	
MB020	GHF206	6	Nut		
MB021	NH910011	6	Alternative Nut		
MB022	AAU5510	2	Reverse Lamp Assembly		
MB023	37H7512	2	Reverse Lamp Lens		
MB024	37H1759	4	Lamp And Lens Gasket		
MB025	GLB273	2	Reverse Lamp Bulb	('67-'72)	
MB026A	37H3751	4	Retaining Screw, fine thread		
MB026B	AB606082	4	Retaining Screw, Self tapping		
MB027	AK606021	4	Spire Nut to fit 27B		
MB028	BHA4283	2	Number Plate Lamp		('73-On)
MB029	37H5426	2	Chrome Cover		
MB030	606078A	2	Glass Lens		
MB031	GLB207	2	Bulb		
MB032	37H5452	2	Bulb Holder Fittings		
MB033	17H5302	2	Lens/Cover Seal		
MB034	17H5216	2	Bulb Holder Boot	Override Mounted Number Plate Lamp ('62-'73)	
MB035A	AHH6398	1	RH Mounting Plinth		
MB035B	AHH6399	1	LH Mounting Plinth		
MB036	RMP316	2	Short Mounting Screw		
MB037	RMP320	2	Long Mounting Screw		
MB038	GHF220	2	Nylon Nut		
MB039	BHA5301	2	Number Plate Lamp	Bumper Mounted Number Plate Lamp (1974)	
MB040	PMP208	4	Screw		
MB041	PWZ102	4	Spring Washer		
MB042	GHF220	4	Stiff Nut		
MB043	GLB233	2	Bulb		
MB044	127916	2	Chrome Number Plate Lamp		('75-'76) Early Rubber Bumper Number Plate Lamp
MB045	601721A	2	Lens		
MB046	57H5368	2	Gasket		
MB047	GLB233	4	Bulb		
MB048	127916A	2	Black Number Plate Lamp	('76 On) Late Rubber Bumper Number Plate Lamp	
MB049	601721A	2	Lens		
MB046	57H5368	2	Gasket		
MB047	GLB233	4	Bulb		
MB049	GAC9999X	1	High Level GT Brake Light		Accessory Fitting

Section MC.

High Intensity Rear Lights & Interior Lights

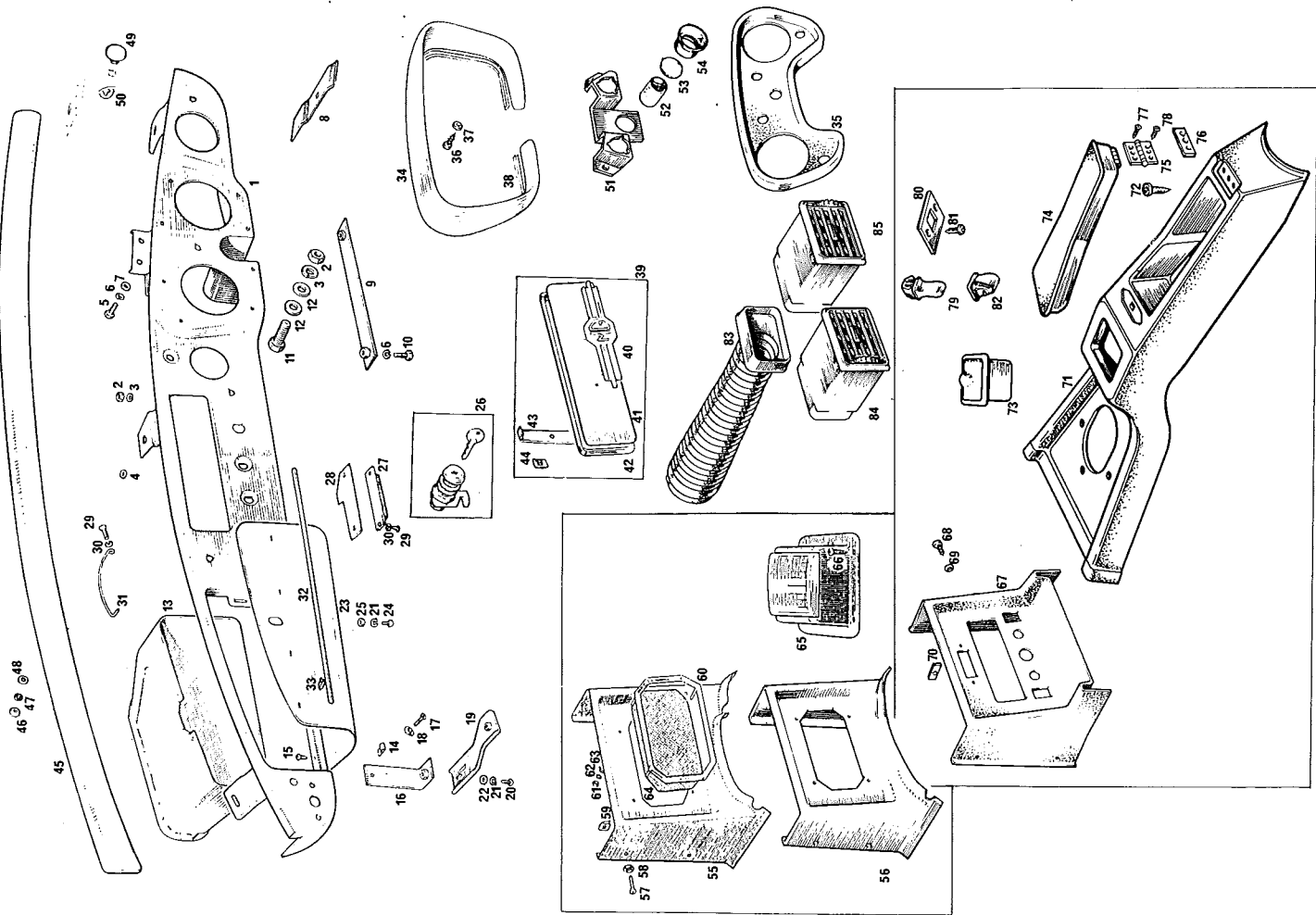
No.	Part No.	Qty.	Description	Remarks
High Intensity Rear Lamps (Foglamps)				
MC001	ALU1017	2	Rear Fog Lamp	Standard Fitment 1980 Model VIN (chassis) no. GVA/GDJ1AG 501004 on
MC002	BAU1763	2	Lens	
MC003	518868	4	Lens Fixing Screw	
MC004	BAU1762	2	Bulb Holder	
MC005	GLB382	2	Bulb	
MC006	BHZ380	2	Lamp Fixing Bracket	
MC007	SH606061	2	Fixing Screw	
MC008	GHF333	2	Spring Washer	
MC009	5L62	2	Boot Floor Wiring Grommet	
Interior Lamp (62-71)				
MC010	37H5426	1	Dash Mounted Light Cover	
MC011	606078A	1	Glass Lens	
MC012	17H5302	1	Seating Rubber	
MC013	RMP310	2	Retaining Screw	
MC014	21G9057	2	Retaining Washer	
MC015	WL700101	2	Spring Washer	
MC016	GHF206	2	Nut	
Interior Lamp (72-76)				
MC017	BHA5138	1	Console Lamp	GHN/D5 258001 (72-76) to GHN/D5 410000
MC018	27H3590	1	Lens Assembly	
MC019	GLB239	1	Bulb	
MC020	PMZ208	2	Screw	
MC021	WL700061	2	Spring Washer	
MC022	NH806011	2	Nut	
Interior Lamp (76 on)				
MC023	547445	1	Console Lamp Base	('76-On) GHN/D5 410000 On
MC024	547443	1	Lamp Lens & Body	
MC025	GLB987	1	Bulb	
MC026	PFS106	2	Push-On Fix	
Roadster Boot Lamp				
MC027	BHA5040	1	Boot Lamp Assembly	('70-On) GHN5 219001 On Roadsters Only
MC028	GLB239	1	Bulb	
MC029	37H5923	1	Lens	
MC030	GHF422	2	Self Tapping Screw	
MC031	PWZ102	2	Flat Washer	
GT Tailgate Lamp				
MC032	EAM1650	1	Tailgate Lamp	('67-On) GT Only GHD4 139472 On
MC033	24G3389	1	Lens	
MC034	GLB239	1	Bulb	
MC035	GHF424	2	Screw	



Section MD.

Dash Panel Up to GHN/D5 410000 (Up to 1976)

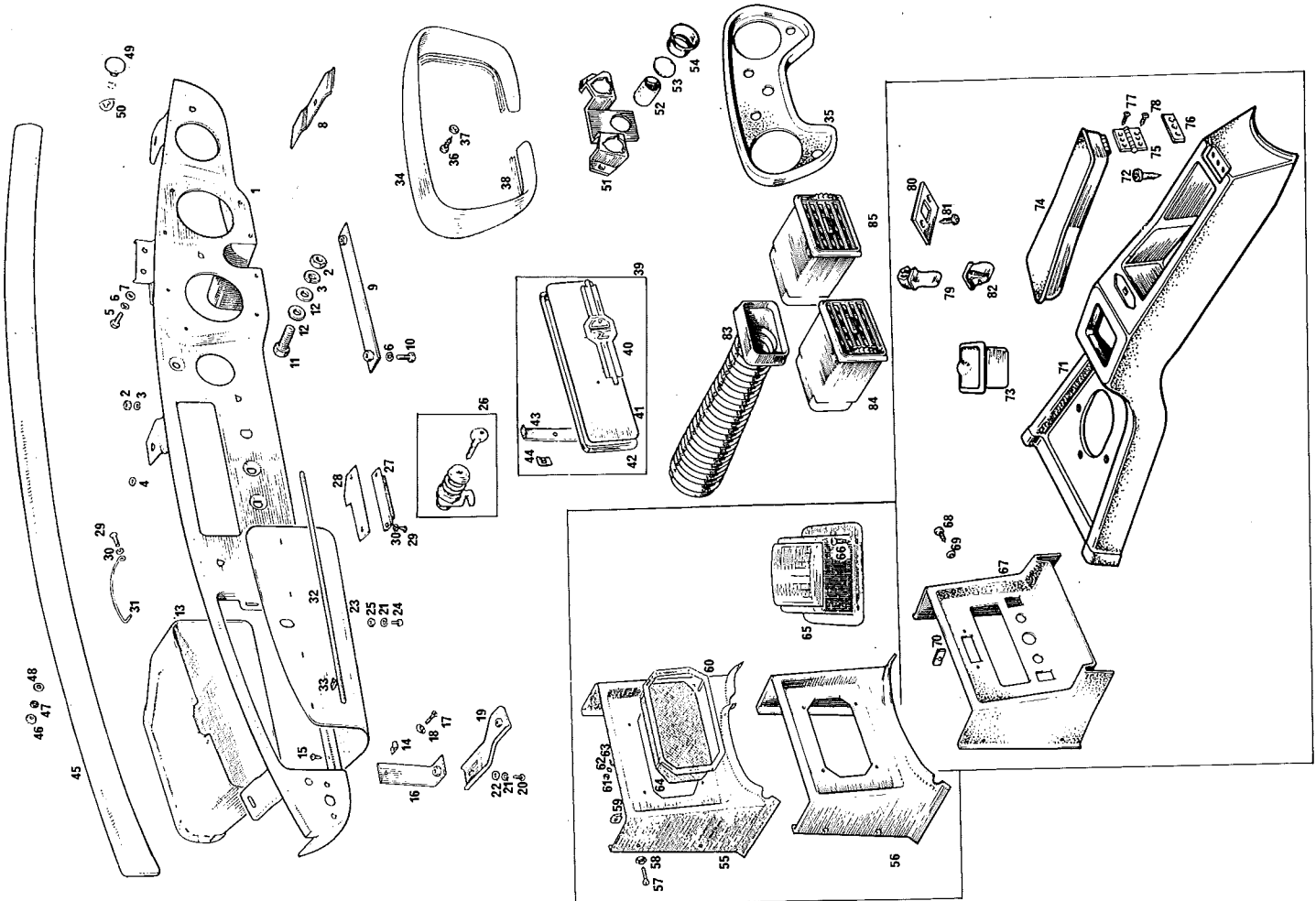
No.	Part No.	Qty.	Description	Remarks
Please note — Dash Panels are strictly exchange items, the exchange being subject to the reconditionable status of the customer's old unit.				
MD001A	HZA452E	1	Dash Panel	Up to GHN/D3 91336 ('62-'66)
MD001B	HZA612E	1	Dash Panel	GHN/D3 91336 to GHN/D5 258000 ('66-'71)
MD001C	HZA4072E	1	Dash Panel	GHN/D5 258001 to GHN/D5 360360 ('72-'74)
MD001D	HZA4916	1	Dash Panel	GHN/D5 360301 to GHN/D5 410000 ('75-'76)
MD002	GHF201	5	Locating Nut	
MD003	GHF332	5	Spring Washer	
MD004	PWZ205	1	Flat Washer	
MD005	GHF117	2	Fascia to Body Screw	
MD006	GHF331	4	Spring Washer	
MD007	GHF300	2	Flat Washer	
MD008	AHH6293	2	Fascia Fixing Plate	
MD009	AHH6713	1	Fascia Fixing Plate	
MD010	SH604041	2	Screw	
MD011	SH605061	2	Screw	
MD012	GHF301	4	Flat Washer	
MD013	AHH6338	1	Glovebox	
MD014	ADA1869	1	Spire Nut	
MD015	PTZ603	6	Glovebox to Fascia Screw	
MD016	HZA543	1	Glovebox Attachment Bracket	
MD017	RTP2804	1	Screw	
MD018	FWP708	1	Cup Washer	
MD019	HZA545	1	Steady Bracket	
MD020	PMZ308	2	Screw	
MD021	WL700101	6	Spring Washer	
MD022	GHF306	1	Flat Washer	
MD023	HZA455	1	Glovebox Lid	
MD024	PMZ305	4	Glovebox Lid Screw	
MD025	GHF206	4	Nut	
MD026	AHH6331	1	Glovebox Lid Lock	
MD027	AHH6292	1	Buffer	
MD028	AHH6291	1	Catch	
MD029	PMZ205	3	Screw	
MD030	WL700061	3	Spring Washer	
MD031	AHH6329	1	Glovebox Check Strap	
MD032	BDH741	1	Finisher	
MD033	14B934	4	Clip	
MD034	AHH6142	1	Instrument Cowl	
MD035	HZA4708	1	Instrument Cowl	
MD036	AHH6164	8	Screw	
MD037	PWZ102	8	Flat Washer	
MD038	AHH6182	1	Finisher	
MD039	ARH59K	1	Radio Blanking Kit	
MD040	AHH5258	1	'MG' Motif	
MD041	ARH59	1	Blanking Plate	
MD042	AHH5255	1	Chrome Bezel	
MD043	BHH364	1	Retaining Strap	
MD044	ADB509	2	Clip	
MD045A	AKE5155	1	Black Crash Roll	
MD045B	BHH947	1	Black Crash Roll	



Section MD Continued

Dash Panel Up to GHN/D5 410000 (Up to 1976)

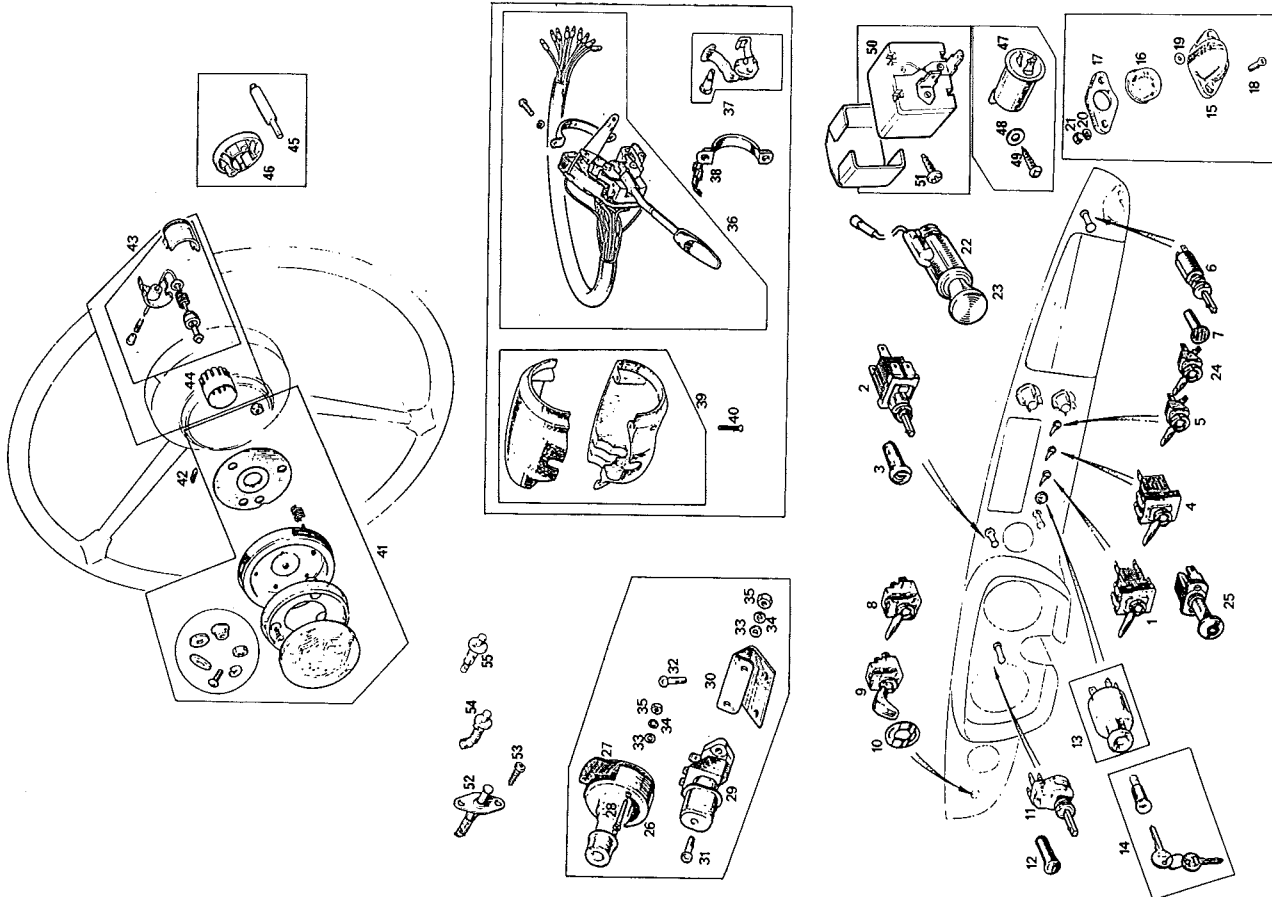
No.	Part No.	Qty.	Description	Remarks
MD046	GHF206	8	Nut	When O/Drive is Not Fitted
MD047	WL700101	8	Spring Washer	
MD048	GHF306	8	Flat Washer	
MD049	BDH1750	1	Blanking Plug	
MD050	PFR108	1	Push-On Fix Clip	
MD051	AHH6275	1	Flasher Warning Light Bracket	(3 Synchro) Up to GHN/D3 138400 (Up to '67) (4 Synchro) GHN/D4 138401 to GHN/D5 258000 ('68-'71)
MD052	AHH6333	2	Tube	
MD053	AHH6334	2	Plastic Window	
MD054	AHH6332	2	Shield	
MD055	AHH6169	1	Radio Speaker Console	
MD056	AHC13	1	Radio Speaker Console	Up to GHN/D5 258000 ('62-'71)
MD057	RJP805	4	Console Retaining Screw	
MD058	FWP208	4	Cup Washer	
MD059	GHF712	4	Spire Nut	
MD060	AHH6742	1	Bezel	
MD061	NH806011	4	Nut	When fitted; up to GHN/D5 258000 ('62-'71)
MD062	WL700061	4	Spring Washer	
MD063	PWZ202	4	Flat Washer	
MD064	AHH6753	1	Speaker Grille	
MD065	AHH7061	1	Ash Tray	
MD066	PTP606	4	Screw	GHN/D5 258001 to GHN/D5 410000
MD067	BHH473	1	Radio Console	
MD068	RJP805	4	Console Retaining Screw	
MD069	FWP208	4	Cup Washer	
MD070	GHF712	4	Spire Nut	
MD071	BHH467	1	Tunnel Console	GHN/D5 258001 on ('72 on)
MD072	AB608081	1	Screw	
MD073	BHH490	1	Ash Tray (Chrome Surround)	
MD074A	X3A2915	1	Armrest with Hinge & Plate	
MD074B	X3A2915A	1	Armrest, replacement without hinge and plate ('72-'76)	
MD075	X3A2915H	1	Hinge	
MD076	BHH467X	1	Plate	
MD077	GHF400	3	Hinge to Armrest Screw	
MD078	CMZ204	3	Hinge to Console Screw	
MD079	13H7468	1	Striker	
MD080	X3A2915P	1	Striker Plate	
MD081	GHF421	2	Screw	
MD082	346140A	1	Catch	
MD083	BHH609	2	Air Vent Tube	
MD084	BHH502	1	Air Vent LH	
MD085	BHH501	1	Air Vent RH	



Section ME.

Switches '62-'71 Models (Up to GHN/D5 258000)

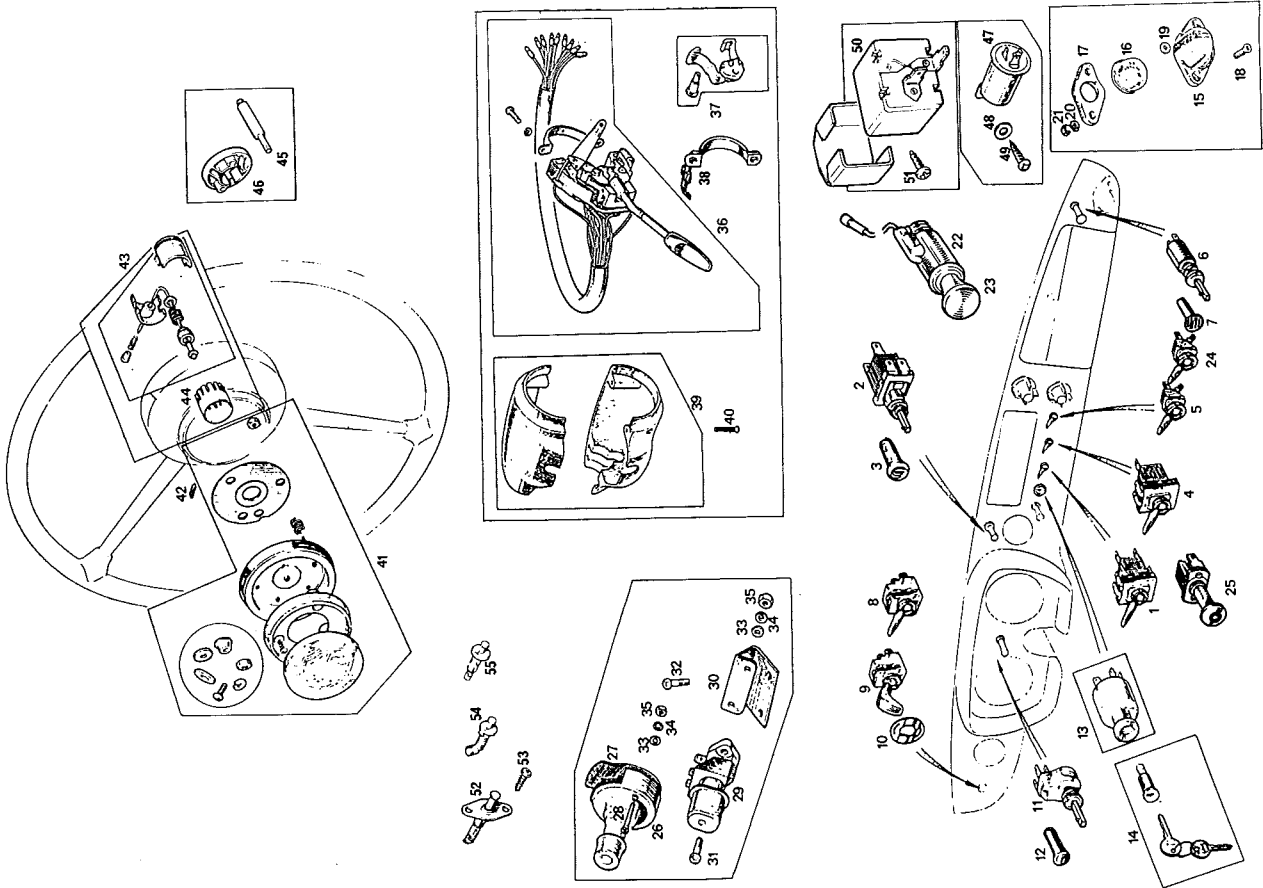
No.	Part No.	Qty.	Description	Remarks
ME001	BCA4294	1	Toggle Light Switch	('63-'65) Up to GHN/D3 90001 ('66-'67) GHN/D3 90002 On ('66-'67)
ME002	BHA4578	1	Push/Pull Light Switch	
ME003	704885	1	Light Switch Knob	
ME004A	149011A	1	Single Speed Wiper Switch	Standard ('68-On) Motor Required
ME004B	BHA4786	1	Two Speed Wiper Switch	
ME005	RTC430A	1	Heater Motor Switch	Up to GHN3 61015 GHN3 61016 On Chrome Stainless
ME006	BHA4280	1	Map Light Switch	
ME007	AHH5362	1	Light Switch Knob	
ME008	RTC430A	1	Straight Overdrive Switch	
ME009	BHA44513	1	Angled Overdrive Switch	
ME010	AHH6277	1	Escutcheon (Up to 1970)	
ME010B	CRCP362	1	Escutcheon (1970 on)	
ME011	BHA4278	1	Panel Light Control	
ME012	AHH5368	1	Control Knob	
ME013	13H337	1	Ignition Switch	
ME014	24G1345	1	Key & Barrel	
ME015	37H5426	1	Map Light Cover	Optional Extra
ME016	606078A	1	Glass Lens	
ME017	17H5302	1	Seating Rubber	
ME018	RMP310	2	Screw	
ME019	21G9057	2	Retaining Washer	
ME020	WL700101	2	Spring Washer	
ME021	GHF206	2	Nut	
ME022	AHH7010	1	Cigar Lighter Assembly	
ME023	AJM1253	1	Element	
ME024	RTC430A	A/R	Fog/Spot Auxiliary Switch	
ME025	GAET32	1	Heated Rear Window Switch	('62-'66) Up to GHN/D3 90363
ME026	502087A	1	Headlamp Dip Switch	
ME027	57H5591	1	Dip Switch Gasket	('66-'69) GHN/D3 90364 to GHN/D4 187210
ME028	CMZ322	2	Retaining Screw	
ME029	RTC432A	1	Headlamp Dip Switch	Quantity Increased GHN/D3 90364 On ('62-'65) Up to GHN374045 ('65-'69) GHN/D3 74046 to GHN/D4 187210
ME030	AHC97	1	Mounting Bracket	
ME031	PMZ310	2	Switch To Bracket Screw	GHN/D5 219000 GHN/D5 219001 to GHN/D5 258000 Use with ME036A/B Use with ME036D Up to GHN/D4 187210 ('62-'69)
ME032	PMZ312	2	Bracket To Floor Screw	
ME033	GHF306	4/2	Flat Washer	Indicator Switch with headlamp flasher to GHN/D4 187210
ME034	WL700101	4/2	Spring Washer	
ME035	GHF206	4/2	Nut	Indicator Switch with horn & headlamp flasher GHN/D5 187211 to GHN/D5 219000 GHN/D5 219001 to GHN/D5 258000
ME036A	AHH6318	1	Indicator Switch	
ME036B	BHA4628	1	Indicator Switch with headlamp flasher	Indicator Switch without horn
ME036C	BHA4948	1	Indicator Switch with horn & headlamp flasher	
ME036D	37H8050	1	Indicator Switch without horn	Switch Repair Kit Horn Contact Clip Steering Column Cowl Set
ME037	18G8786	1	Switch Repair Kit	
ME038	37H8051	1	Horn Contact Clip	Steering Column Cowl Set
ME039A	18G8387	1	Steering Column Cowl Set	
ME039B	18G8713	1	Steering Column Cowl Set	GHN/D5 187211 to GHN/D5 258000 ('70-'71)



Section ME Continued

Switches '62-'71 Models (Up to GHN/D5 258000)

No.	Part No.	Qty.	Description	Remarks
ME040	RMP214	4	Cowl Screw	Up to GHN/D4 187210
ME041	AH6319	1	Horn Push Assembly	
ME042	37H8752	3	Retaining Screw	
ME043	7H6903	1	Rotor Assembly	
ME044	27H5401	1	Slip Ring	
ME045	BHA5041	1	Pencil Contact, Horn	GHN/D5 219001 to GHN/D5 258000
ME046	BHA5042	1	Horn Slip Ring	
ME047	GFU2103	1	Flasher Unit	Up to GHN/D3 138400 ('62-'67)
ME048	GHF306	1	Flat Washer	
ME049	GHF423	1	Self Tapping Screw	GHN/D4 138401 to GHN/D5 258000 ('68-'71)
ME050	GFU2124	1	Flasher Unit	
ME051	GHF425	1	Screw	
ME052	BHA4593	2	Door Courtesy Light Switch	Where Required
ME053	AB606033	4	Screw	
ME054	13H391	1	Boot Lamp Switch	
ME055	13H2018	1	Tailgate Lamp Switch	



Section MF.

Switches GHN/D5 258001 To GHN/D5 410000 ('72-76)

No.	Part No.	Qty.	Description	Remarks
MF001	BHA5111	1	Light Switch	GHN/D5 258001-360300
MF002	BHA5110	1	Wiper Switch ('72-74)	Some early 1972 models
MF003	BHA5113	1	Heater Fan Switch	Foglamps etc, early '72 only
MF004A	GAE132	1	Heated Rear Window Switch	Alternative "Rocker" version of GAE140
MF04B	BHA5114	1	Heated Rear Window Switch	GHN/D5 328101 on ('74on)
MF005A	GAE140	1	Auxiliary Equipment Switch	Up to GHN/D5 360300 ('72-74)
MF05B	37H4820	1	Auxiliary Equipment Switch	Original
MF006	BHA5267	1	Hazard Warning Light Switch	Suitable Replacement -not original fitment
MF007	BHA4513	1	Override Switch	For original steering lock
MF008	AHH6277	1	Switch Escutcheon	For BMK2259 Lock
MF009	BHA4278	1	Panel Light Control	
MF0010	AHH5368	1	Control Knob	
MF011A	BHA5215	1	Steering Lock/Ignition Switch, Chrome Bumper	
MF011B	BMK2259A	1	Steering Lock/Ignition Switch, Chrome Bumper	
MF012A	37H7708	1	Ignition Switch	
MF012B	37H5934	1	Ignition Switch	
MF013	BHM7144	1	Steering Lock/Ignition Switch, Rubber Bumper	For BHM7144 Lock
MF014	BHA5292	1	Ignition Switch	Optional
MF015	51K4001	2	Shear Bolt	Extra
MF016	AHH7010	1	Cigar Lighter Assembly	
MF017	AJM1253	1	Element	
MF018	BHH533	A/R	Blanking Plate	
MF019	37H8050	1	Indicator Switch	Up to GHN/D5 360300 ('72-74)
MF020	37H8051	1	Horn Contact Clip	GHN/D5 360301 to GHN/D5 410000 ('75-76)
MF021	37H8101	1	Indicator Switch	Up to GHN/D5 360300 ('72-74)
MF022	37H8102	1	Horn Contact Clip	Up to GH/D5 360300 to GHN/D5 410000
MF023	BHA5251	1	Wiper/Override Switch	Qty decreases on 18G9012
MF024	18G8713	1	Cowl	Used on 18G9012 only
MF025	18G9012	1	Cowl	
MF026	PM2316	4/2	Cowl Screw	
MF027	AB610041	2	Cowl Screw	
MF028	BHA5041	1	Horn Pencil Contact	
MF029	BHA5042	1	Horn Slip Ring	
MF030	GFU2124	1	Flasher Unit	
MF031	GFU2204	1	Hazard Flasher Unit	
MF032	GHF425	1/2	Screw	
MF033	BHA4593	2	Door Courtesy Light Switch	GHN/D5 328101 on ('74on)
MF034	AB606033	4	Screw	Qty increases if hazard lights are fitted
MF035	13H391	1	Boot Lamp Switch	
MF036	13H2018	1	Tailgate Lamp Switch	
MF037	BHA4770	1	Warning Lamp - Heated Rear Window	
MF038	BHA5123	1	Warning Lamp - Ignition (Red)	
MF039	BHA5122	1	Warning Lamp - Main Beam (Blue)	
MF040	BHA5124	2	Warning Lamp - Indicator (Green)	
MF041	BHA5125	4	Warning Lamp Retaining Washer	GHN/D5 360301 on ('75 on)

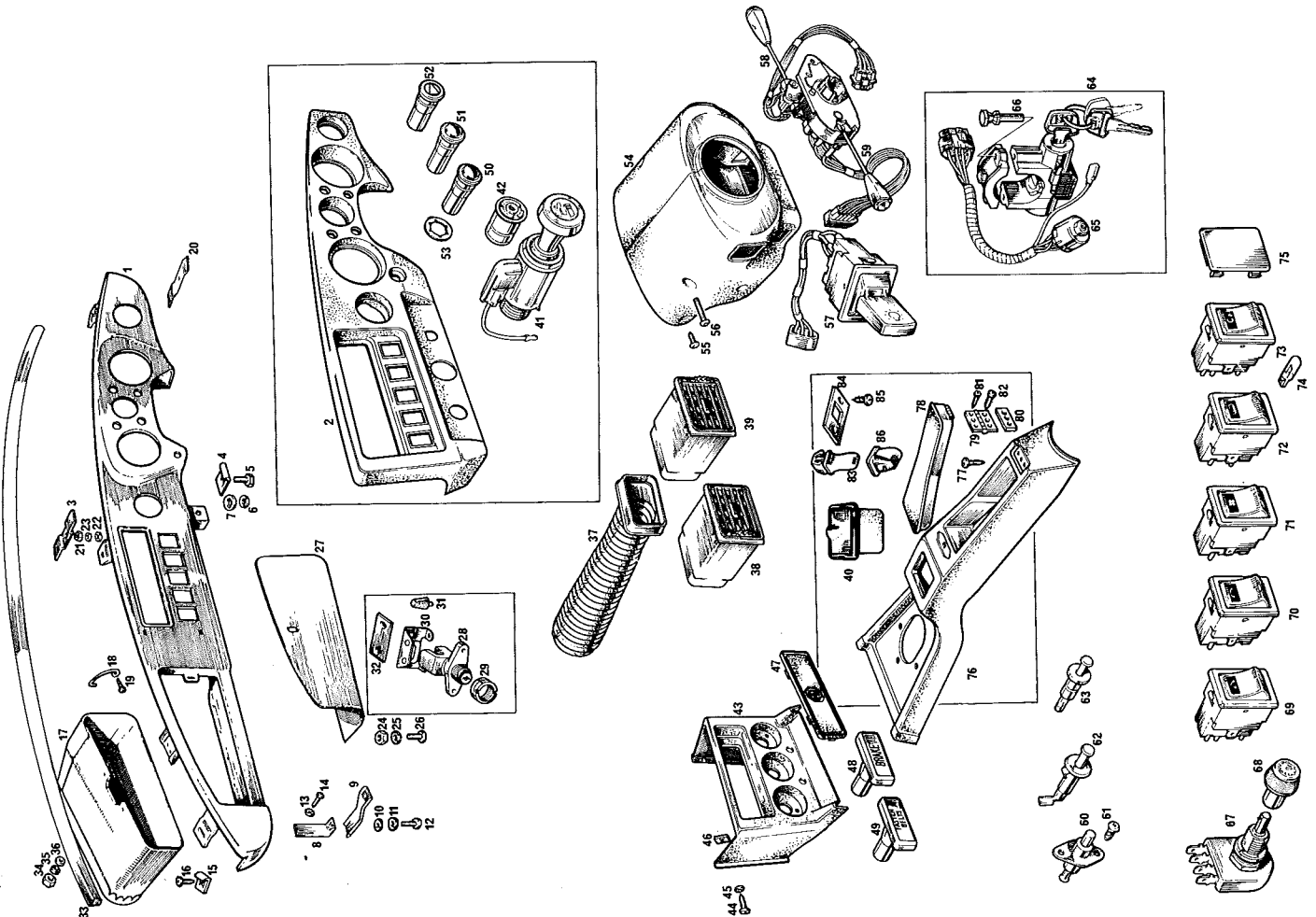


Section MG.

Dash and Switches GHIN/D5 410001 On (76-On)

Remarks

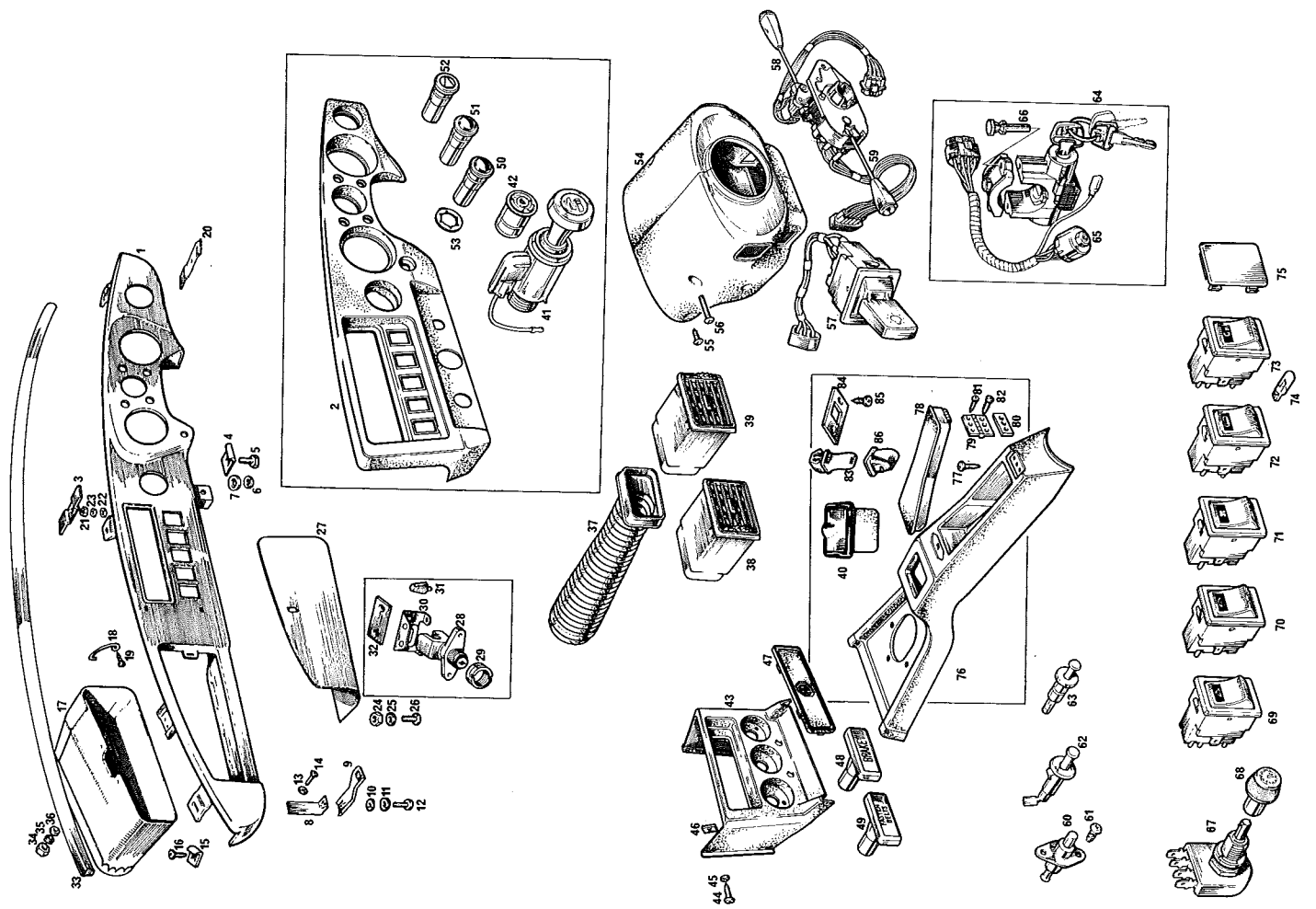
No.	Part No.	Qty.	Description
MG001	HZA5199	1	Fascia Panel
MG002	HZA5104	1	Instrument Panel
MG003	AHH6293	1	Fascia Fixing Plate
MG004	GHF713	2	Spire Nut
MG005	GHF425	2	Screw
MG006	GHF331	2	Spring Washer
MG007	GHF300	2	Flat Washer
MG008	HZA543	1	Glovebox Bracket
MG009	HZA545	1	Glovebox Stay
MG010	GHF306	2	Washer
MG011	WL700101	2	Spring Washer
MG012	PMZ308	2	Screw
MG013	FWP708	1	Cup Washer
MG014	RTP2804	1	Screw
MG015	ADA1869	6	Spire Nut
MG016	AB606031	6	Screw
MG017	AHH6338	1	Glovebox
MG018	AHH6329	1	Lid Check Rod
MG019	PMZ206	1	Screw
MG020	AHH6293	2	Mounting Plate, Side Mountings
MG021	GHF201	3	Nut
MG022	PWZ205	1	Centre Mounting Washer
MG023	GHF331	3	Spring Washer
MG024	GHF206	4	Nut
MG025	WL700101	4	Spring Washer
MG026	PMZ305	4	Screw
MG027	HZA5195	1	Glovebox Lid
MG028	HZA5413	1	Lock
MG029	DZB3553	1	Bezel
MG030	HZA5367	1	Lock Striker
MG031	14G9467	1	Lid Buffer
MG032	CZK3737	A/R	Striker Shim
MG033	HZA5388	1	Black Crash Roll
MG034	GHF206	8	Nut
MG035	WL700101	8	Spring Washer
MG036	GHF306	8	Flat Washer
MG037	BHH4609	2	Vent Tube
MG038	HZA5129	1	Vent LH
MG039	HZA5128	1	Vent RH
MG040	HZA5390	1	Ashtray (Black rim)
MG041	ZKC1152	1	Cigarette Lighter
MG042	AAU5944	1	Element
MG043	HZA5102	1	Radio Console
MG044	RJP805	4	Fixing Screw
MG045	FWP208	4	Cup Washer
MG046	GHF712	4	Spire Clip
MG047	HZA5110	1	Radio Blanking Plate
MG048	UKC5812	1	Handbrake Warning Lamp
MG049	13H7986	1	Seatbelt Warning Lamp
MG050	AAU3857	1	Warning Lamp - Ignition (Red)
MG051	AAU3858	1	Warning Lamp - Main Beam (Blue)
MG052	AAU4824	2	Warning Lamp - Indicator (Green)
MG053	BHA5125	4	Retainer Warning Lamp



Section MG Continued

Dash and Switches GHN/D5 410001 On ('76-On)

No.	Part No.	Qty.	Description	Remarks
MG054	BHM7090	1	Cowl	
MG055	AB610041	2	Screw	
MG056	PMZ316	2	Screw	
MG057	AAU4562	1	Light Switch	
MG058	AAU4991	1	Indicator Switch	
MG059	BAU1020	1	Wiper Switch	
MG060	BHA4593	2	Door Courtesy Lamp Switch	
MG061	AB606033	4	Screw	
MG062	13H391	1	Boot Lamp Switch	
MG063	13H2018	1	Tailgate Lamp Switch	
MG064	BHM7144	1	Steering Lock/Ignition Switch	
MG065	BHA5292	1	Ignition Switch	
MG066	51K4001	2	Shear Bolt	
MG067	37H7994	1	Panel Light Control	
MG068	37H7995	1	Control Knob	
MG069	AAU3205	1	Hazard Warning Switch	
MG070	AAU3206	1	Interior Lamp Switch	
MG071	AAU3204	1	Heater Fan Switch	
MG072A	AAU3210	1	Heated Rear Window Switch	
MG072B	ALLU1016	1	Heated Rear Window Switch	
MG073	ADU4787	1	Rear Fog Lamp Switch	
MG074	GLB921	A/R	Switch Illumination Bulb	Up to GHN/D5 501004
MG075	AAM222	A/R	Blanking Plate	GVA/GDJTAG 501004 on
MG076	BHH467	1	Tunnel Console	
MG077	AB608081	1	Console Retaining Screw	
MG078A	X3A2915	1	Armrest With Hinge & Plate	
MG078B	X3A2915A	1	Armrest Without Hinge or Plate	
MG079	X3A2915H	1	Hinge	
MG080	BHH467X	1	Plate	
MG081	GHF400	3	Hinge to Armrest Screw	
MG082	CMZ204	3	Hinge to Console Screw	
MG083	13H7468	1	Striker	
MG084	X3A2915P	1	Striker Plate	
MG085	GHF421	2	Screw	
MG086	346140A	1	Catch	



Section NA.

3 Synchro Gauges 18G - 18GB ('62-'67)

Gauges Up To GHN/D5 410000 ('62-'76)

Please note - all part numbers with an 'E' suffix denote an exchange item.

Speedometers, 3 Synchro Models (Up to GHN/D3 138400; '62-'67)

No.	Part No.	Qty.	Description	Remarks
NA001A	BHA4286E	1	Standard Transmission, '62-Sept'64	SN6125/04 'Jaeger'
NA001B	BHA4466E	1	Standard Transmission, Oct'64-Nov'64	SN6125/04A 'Smiths'
NA001C	BHA4478E	1	Standard Transmission, Dec'64-Sept'67	SN6144/00 'Smiths'
NA001D	BHA4288E	1	Overdrive Transmission, '62-Sept'64	SN6125/06 'Jaeger'
NA001E	BHA4468E	1	Overdrive Transmission, Oct'64-Nov'64	SN6125/06A 'Smiths'
NA001F	BHA4480E	1	Overdrive Transmission, Dec'64-Sept'67	SN6144/02 'Smiths'

Speedometers, 4 Synchro Models (GHN/D4 138401 - GHN/D5 410000; '68-'76)

NA001G	BHA4707E	1	Standard Transmission, Oct'67-Jul'73	SN6144/20
NA001H	BHA5279E	1	Overdrive Transmission, Oct'67-Jun'69	SN6144/20 BS
NA001I	BHA4812E	1	Standard Transmission, Aug'73-Jul'74	SN6144/23
NA001J	BHA5281E	1	Overdrive Transmission, Jul'69-Jul'73	SN6144/23 BS
NA001K	BHA5339E	1	Overdrive Transmission, Aug'73-Jul'74	SN6144/23 BS
			All Models, Aug'74-Aug'76	SN5230/13

Rev Counters & Tachometers

NA002A	BHA4212E	1	Rev Counter '62-Sept'64 (Mech Drive 18G & GA Engine)	RN2312/01 'Jaeger'
NA002B	BHA4380E	1	Tachometer (Elec Drive) Oct'64-Sept'67	RV1 2401/00A RV1 2401/00B RV1 2401/01 RV1 2418/00 RV1 2430/00 RVC 2415/00 RVC 2415/00AF RVC 1410/00AF
NA002C	BHA4712E	1	Tachometer (Elec Drive) Oct'67-Jun'69 Jul'69-Jul'72	'Smiths'
NA002D	BHA5220E	1	Tachometer (Elec Drive) Aug'72-Jul'74	
NA002E	BHA5219E	1	Tachometer (Elec Drive) Aug'74-Aug'76	

Dual Gauges - Water Temp. & Oil Pressure

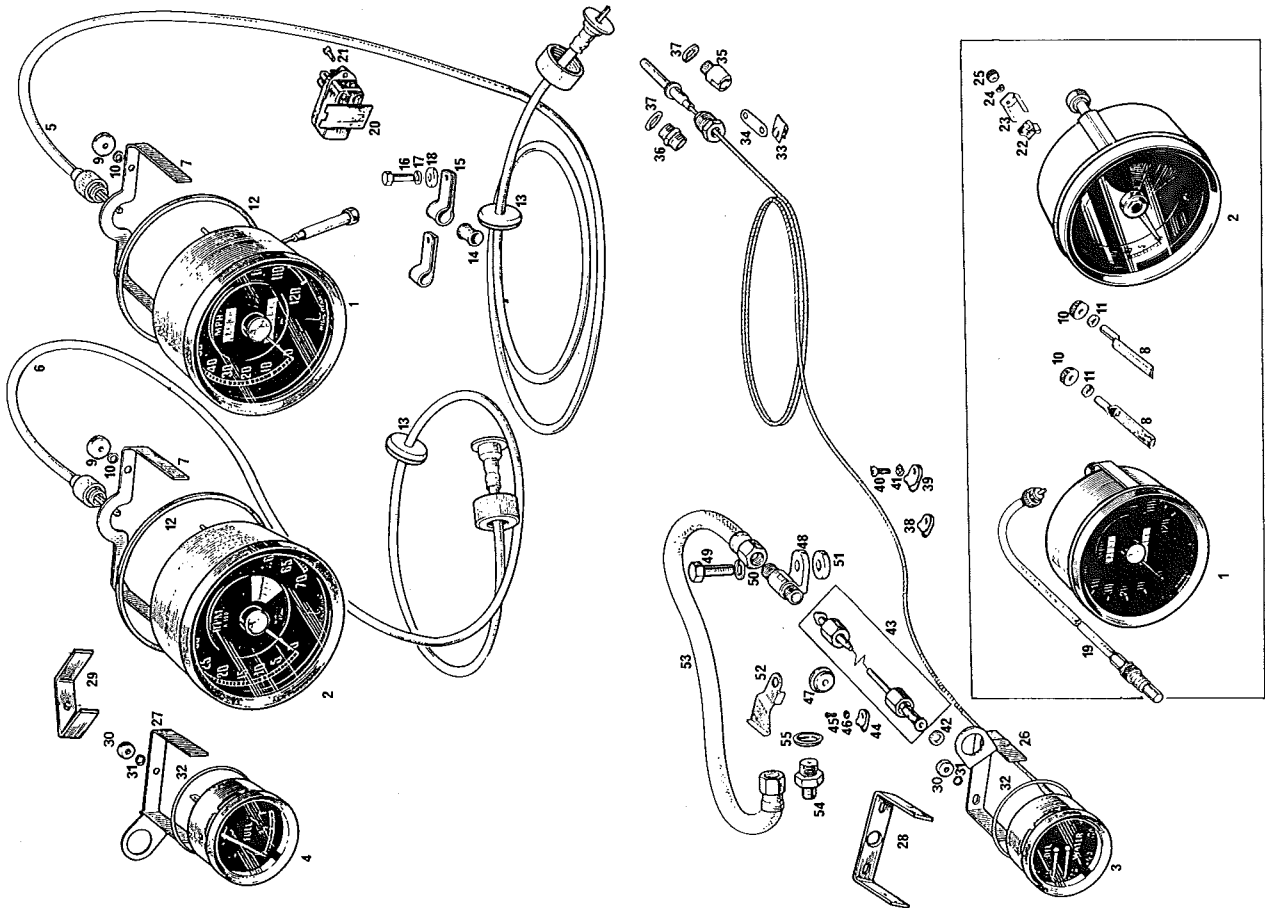
NA003	BHA4295E	1	Externally Lit (°F&lb/in ²) '62-Sept'64	GD1501/01 'Jaeger'
NA003	BHA4451E	1	Externally Lit (°F&lb/in ²) Oct'64-Mar'66	GD1501/14
NA003	BHA4586E	1	Externally Lit (°F&lb/in ²) Apr'66-Sept'67	GD1501/14A
NA003	BHA4737E	1	Internally Lit (°F&lb/in ²) Oct'67-Jun'69	GD1301/19
NA003	BHA4900E	1	Internally Lit (CNH&lb/in ²) Jul'69-Aug'76	GD1301/21

Fuel Gauges

NA004A	BHA4214E	1	Externally Lit '62-Sept'64	FG2530/63
NA004B	BHA4470E	1	Externally Lit Oct'64-Sept'67	BF2300/02
NA004C	BHA4685E	1	Internally Lit Oct'67-Jun'69	BF2223/00
NA004D	BHA4736	1	Internally Lit Jul'69-Aug'76	BF2226/00

Drive Cables For Speedometers & Rev Counters

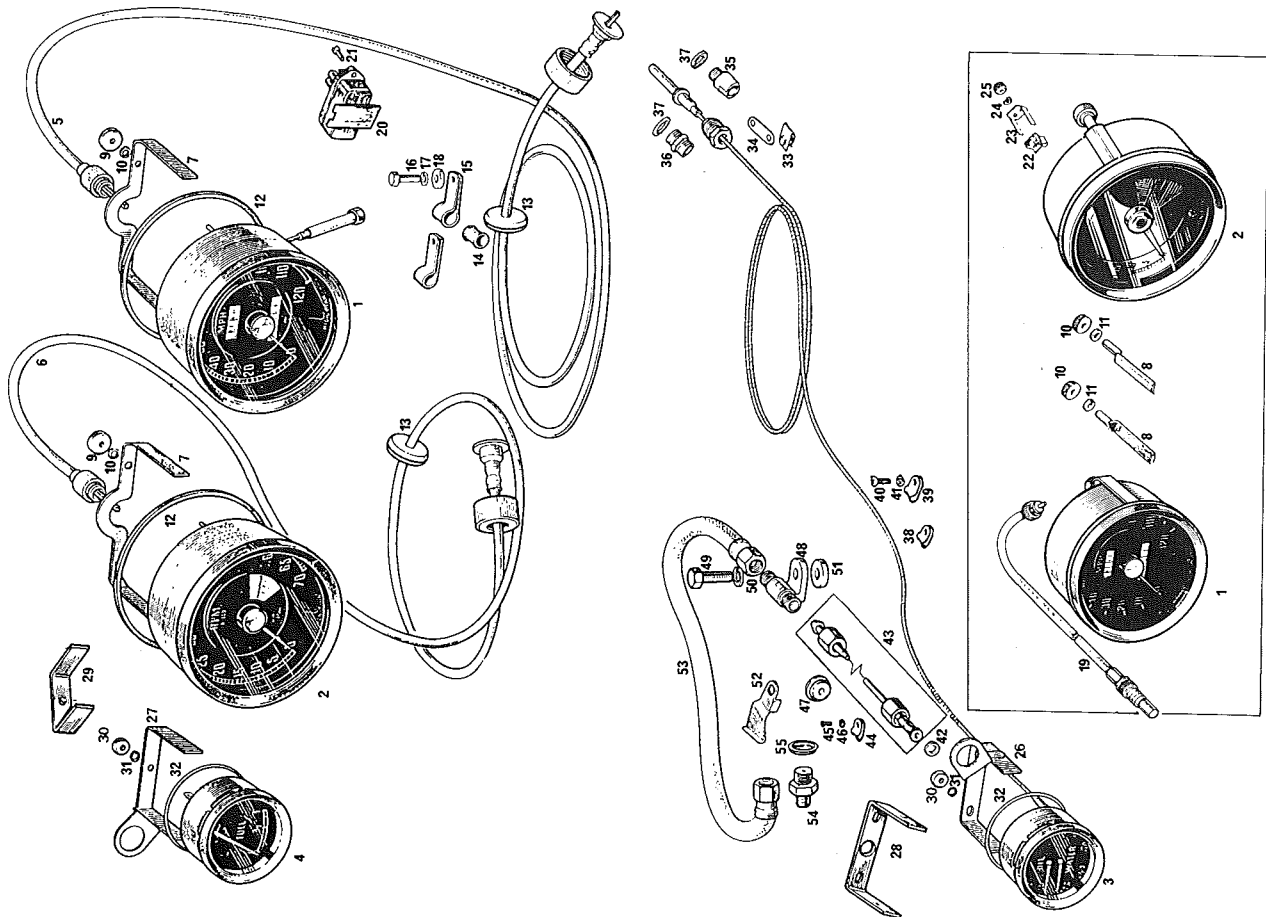
NA005A	GSD103	1	Speedo Drive, Std '62-Mar'63	3'9"
NA005B	GSD111	1	Speedo Drive, Std Apr'63-Sept'67	4'0"
NA005C	GSD249	1	Speedo Drive, Std Oct'67-Jul'74	3'3"
NA005D	GSD115	1	Speedo Drive, Overdrive '62-Mar'63	4'10"
NA005E	GSD117	1	Speedo Drive, Overdrive Apr'63-Sept'67	5'0"



Section NA Continued

Gauges up to GHN/D5 410000 ('62-'76)

No.	Part No.	Qty.	Description	Remarks
NA005F	GSD1115	1	Speedo Drive, Overdrive Oct'67-Aug'76	4'10"
NA006	BHA4291	1	Rev Counter Drive, '62-Sept'64	3'6"
Gauge Mounting Hardware - Speedometer & Rev Counter/Tachometer				
NA007	AJH5176	2	Mounting Bracket, Rev Counter & Speedo	'62-Sept'64
NA008A	17H3744	4	Mounting Bracket, Tachometer & Speedo	Oct'64-Jul'74
NA008B	17H1339	4	Mounting Bracket, Tachometer & Speedo	Aug'74-Aug'76
NA009	17H1304	4	Thumb Nut	
NA010	2K1369	4	Shakeproof Washer	'62-Sept'64
NA011	LWZ402	4	Spring Washer	Oct'64-Jul'74
NA012A	AJH5178	2	Large 'O' Ring	'62-Jul'74
NA012B	17H2105	2	Large 'O' Ring	Aug'74-Aug'76
NA013	ACH8529	2/1	Cable Grommet	Qty decreases after Sept'64
NA014	ACH8529	1	Ferrule	
NA015A	PCR809	1	Cable to Gearbox Clip	Standard Transmission
NA015B	AHH1718	1	Cable to Gearbox Clip	Overdrive Transmission
NA016	SH604051	1	Screw	
NA017	GHF331	1	Spring Washer	
NA018	GHF301	1	Flat Washer	
NA019	BHA4772	1	Remote Millimeter Control	Oct'67-Aug'76
NA020A	128484	1	Voltage Stabiliser	'62-Sept'67
NA020B	BHA4602	1	Voltage Stabiliser	Oct'67-Aug'76
NA021	GHF425	1	Screw	
NA022	13H784	1	Tachometer Core Retainer	
NA023	27H8215	1	Core Strap	
NA024	27H8214	1	Spring Washer	
NA025	27H8213	1	Thumb Nut	Oct'64-Aug'76
Gauge Mounting Hardware - Fuel & Dual Gauges				
NA026	AJH5186	1	Mounting Bracket With Bulb Holder	Dual Gauge '62-Sept'67
NA027	AJH5185	1	Mounting Bracket With Bulb Holder	Fuel Gauge '62-Sept'67
NA028	AJH5187	1	Mounting Bracket, Dual Gauge	Oct'67-Aug'76
NA029	AJH5187	1	Mounting Bracket, Fuel Gauge	Oct'67-Aug'76
NA030	17H932	3	Thumb Nut	
NA031	LWZ302	3	Spring Washer	
NA032	17H1642	2	Small 'O' Ring	
NA033	BHA4081	1	Tube to Engine Clip	
NA034	AHH5802	1	Clip Mounting Bracket	
NA035	11K2846	1	Male/Female Adaptor	
NA036	11K2846A	1	Male/Female Adaptor	
NA037	AED172	1	Sealing Washer	
NA038	PCR307	1	Tube to Bulkhead Clip	
NA039	PCR309	1	Tube to Bulkhead Clip	
NA040	PMZ307	1	Screw	
NA041	GHF300	1	Spring Washer	
NA042	2K4936	1	Sealing Washer	
NA043	AHH6678	1	Oil Pipe	
NA044	PCR207	1	Pipe to Bulkhead Clip	
NA045	PMZ307	1	Screw	
NA046	WL700101	1	Spring Washer	
NA047	AAA643	1	Pipe Grommet	
NA048	AAA628	1	Pipe Connector	
NA049	GHF101	1	Screw	
NA050	GHF331	1	Spring Washer	
NA051	AHH6247	1	Spacer	
NA052	AHH6938	1	Pipe Retaining Bracket	
NA053	AHH6554	1	Oil Pressure Hose	
NA054	11G15	1	Block Adaptor	
NA055	6K638	1	Sealing Washer	



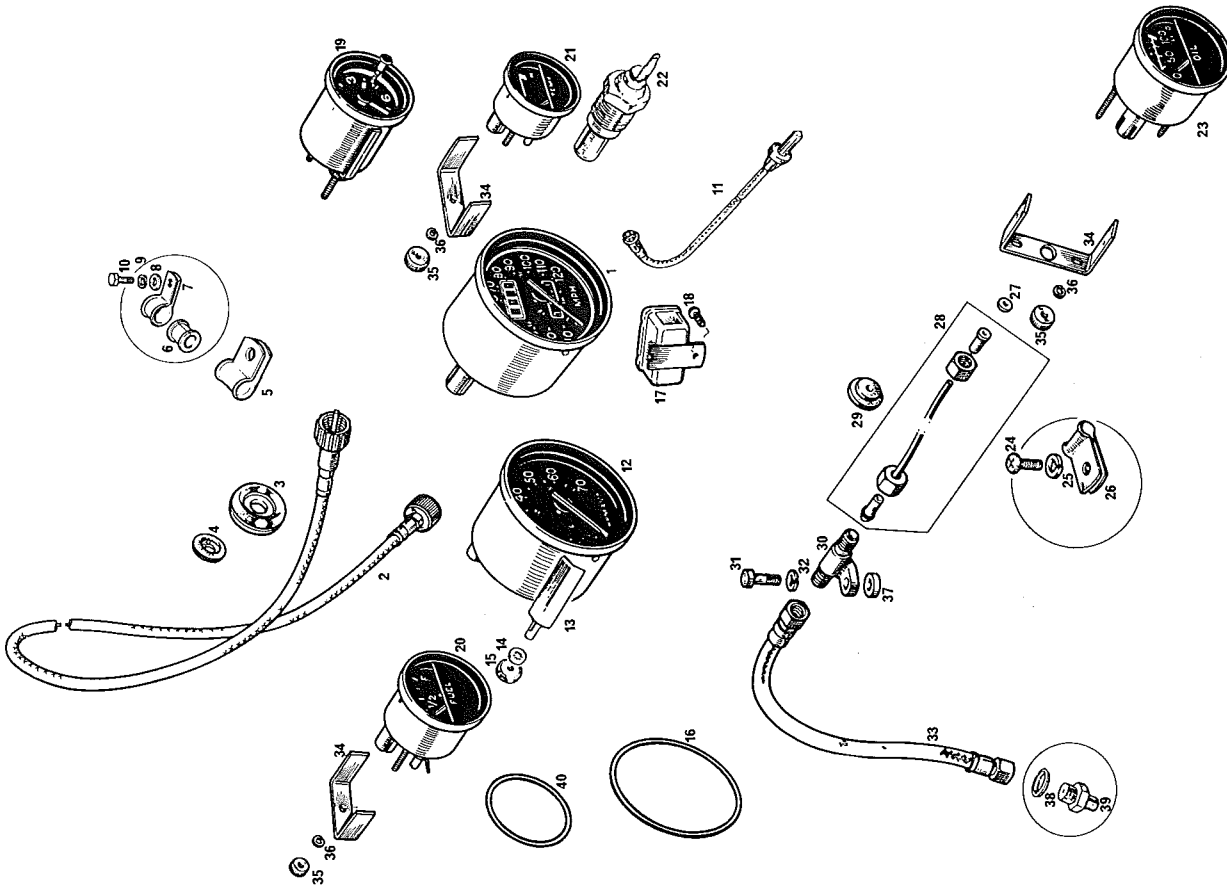
Section NB.

Gauges GHN/D5 410001 On (76-On)

No.	Part No.	Qty.	Description	Remarks
Speedometers, Tachometers & Fittings				
NB001A	AAU3035E	1	Speedometer, Increments of 10mph	SN5234/00 GHN/D5 410001 to 481115
NB001B	ADU2174E	1	Speedometer, Increments of 20mph	
NB002	GSD315	1	Speedometer Cable	
NB003	RFR405	1	Cable Grommet	
NB004	RFR305	1	Cable Grommet	
NB005	PCR307	1	Cable Clip	
NB006	ACH8529	1	Ferrule	
NB007	PCR809	1	Cable Clip	
NB008	GHF301	1	Flat Washer	
NB009	GHF331	1	Spring Washer	
NB010	SH604051	1	Screw	
NB011	BHA4772	1	Milometer Remote Control	
NB012A	AAU3037	1	Tachometer, RVC 1414/00F	GHN/D5 410001 to 481115
NB012B	ADU2176	1	Tachometer, RVC 1414/01F	
NB013	17H1339	4	Fixing Bracket	
NB014	LWZ402	4	Star Washer	
NB015	17H1304	4	Thumb Nut	
NB016	17H2105	2	Large 'O' Ring	
NB017	BHA4602	1	Voltage Stabilizer	
NB018	GHF425	1	Screw	

Fuel, Oil, Water Gauges & Clock

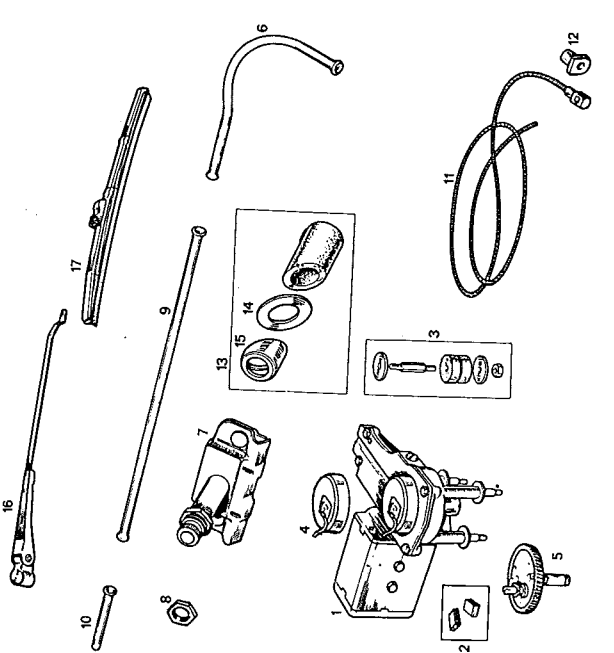
NB019	AAU4948	1	Clock
NB020	AAU3032E	1	Fuel Gauge
NB021	AAU3030E	1	Water Temp. Gauge
NB022	GTR101	1	Temperature Transmitter
NB023	AAU3033	1	Oil Pressure Gauge
NB024	PMZ307	1	Screw
NB025	WL700101	1	Spring Washer
NB026	PCR207	1	Pipe Clip
NB027	2K4936	1	Leather Washer
NB028	AHH6678	1	Pipe Assembly - Gauge to Flexible Pipe
NB029	BHH551	1	Grommet
NB030	AAA628	1	Pipe Connector
NB031	GHF117	1	Screw
NB032	GHF331	1	Spring Washer
NB033A	BHH1958	1	Flexible Pipe
NB033B	AHH6554	1	Alternative to ND033A
NB034	AJH5187	2	Fixing Bracket - Temp & Oil Gauges
NB035	17H932	4	Thumb Nut
NB036	LWZ302	4	Spring Washer
NB037	AHH6247	1	Spacer
NB038	6K638	1	Sealing Washer
NB039	11G15	1	Block Adaptor
NB040	AJH5184	4	Small 'O' Ring



Section NC.

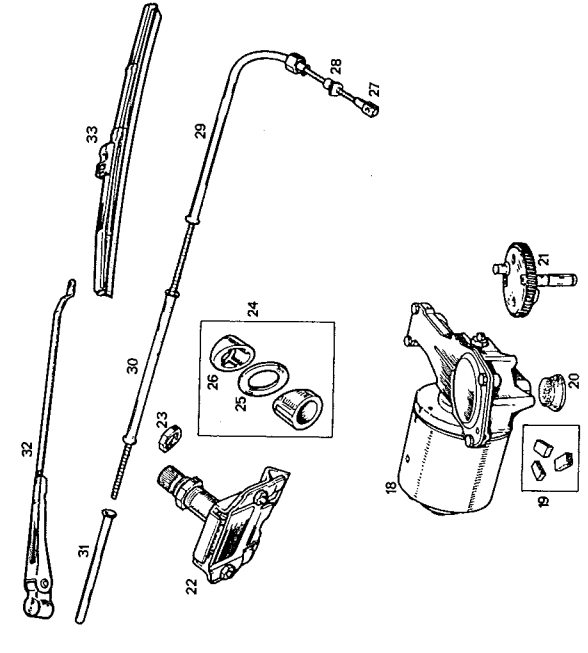
Windscreen Wiper Assembly, 3 Synchro ('62-'67)

No.	Part No.	Qty.	Description	Remarks
(62-'67) 3 Synchro Roadster GHN3 101 - GHN3 138400				
NC001	GEU7714	1	Rebuilt Wiper Motor	Less Drive Gear
NC002	17H5396	1	Brush Set	
NC003	17H5431	3	Wiper Motor Mounting	Up to GHN3 6916 ('62 Only)
NC004	57H5559	1	Parking Switch	
NC005A	57H5589	1	Drive Gear	GHN3 6917 on ('63-'67)
NC006A	BHA4322	1	Motor To W/Box Outer Tube	
NC007A	BHA4324	2	Wiper Wheelbox & Nut	Cut to length
NC008A	ANK3459	2	6 Sided Wheelbox Nut	
NC005B	47H5307	1	Drive Gear	Included in Bush kit 13
NC006B	BHA4391	1	Motor To W/Box Outer Tube	
NC007B	520275	2	Wiper Wheelbox & Nut	Cut to length
NC008B	17H8769	2	8 Sided Wheelbox Nut	
NC009	BHA4323	1	W/Box To W/Box Outer Tube	Included in Bush kit 13
NC010	14G3722	1	W/Box Extension Outer Tube	
NC011	508182A	1	Wiper Rack	Cut to length
NC012	37H5282	1	Male Ferrule	
NC013	519988	2	Bezel & Bush Kit	Included in Bush kit 13
NC014	ADC560	2	Sealing Washer	
NC015	BHA4312	2	Chrome Bezel	Cut to length
NC016	37H4952	2	Polished Wiper Arm	
NC017	GW8219	2	Polished Wiper Blade	



(65-'67) 3 Synchro GT GHD3 71933 - GHD3 139471

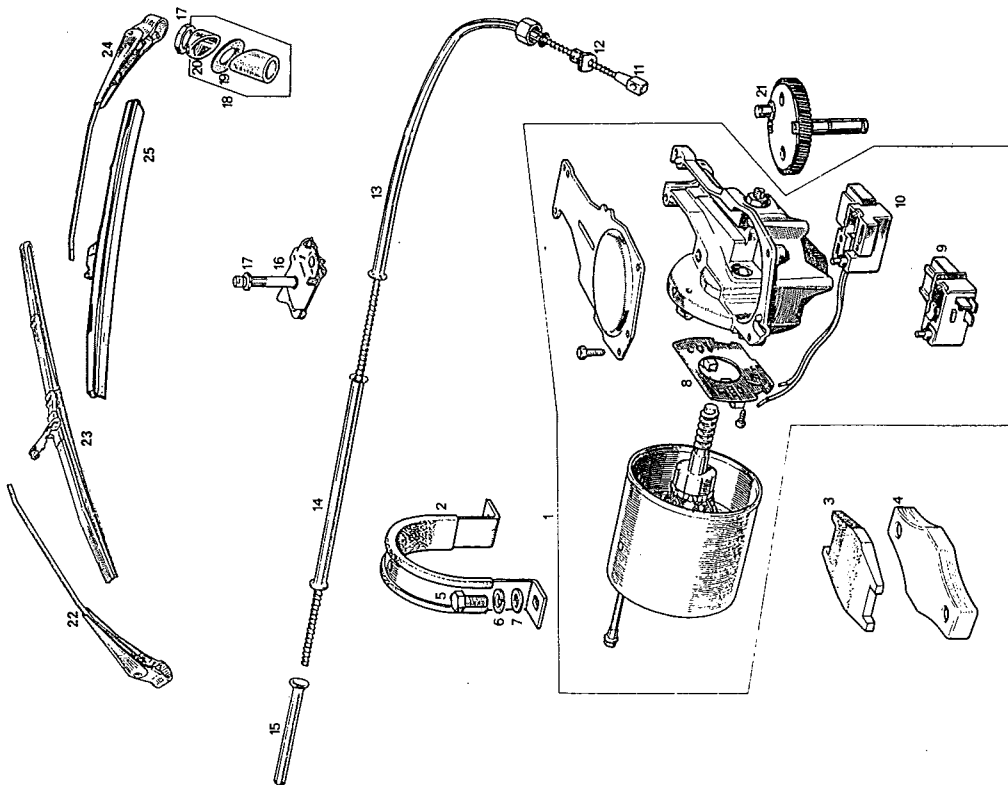
No.	Part No.	Qty.	Description	Remarks
(65-'67) 3 Synchro GT GHD3 71933 - GHD3 139471				
NC018	GEU7708	1	Rebuilt Wiper Motor	Less Drive Gear
NC019	27H6412	1	Brush Set	
NC020	13H2189	4	Motor Mounting Bush	Up to GHN3 6916 ('62 Only)
NC021	27H6420	1	Drive Gear	
NC022	AAU1073	2	Wiper Wheelbox & Nut	GHN3 6917 on ('63-'67)
NC023	17H8769	2	8 Sided Wheelbox Nut	
NC024	37H6879	2	Bezel & Bush Kit	Cut to length
NC025	27H6428	2	Sealing Washer	
NC026	AHH7431	2	Chrome Bezel	Included in Bush kit 24
NC027	37H5208	1	Wiper Rack	
NC028	37H3694	1	Male Ferrule	Cut to length
NC029	AHH7480	1	Motor To W/Box Outer Tube	
NC030	AHH7471	1	W/Box To W/Box Outer Tube	Cut to length
NC031	14G3722	1	W/Box Extension Outer Tube	
NC032	37H4952	2	Polished Wiper Arm	Cut to length
NC033	GW8142	2	Polished Wiper Blade	



Section ND.

Windscreen Wiper Assembly, 4 Synchro ('67-On)

No.	Part No.	Qty.	Description	Remarks
Wiper Motor & Mounting				
ND001	GEU7708	1	Rebuilt Wiper Motor	
ND002	BHA4790	1	Motor Mounting Strap	
ND003	150844A	1	Motor Mounting Pad	
ND004	AHH8766	1	Packing Piece	
ND005	SH604111	2	Mounting Screw	
ND006	GHF331	2	Spring Washer	
ND007	GHF300	2	Flat Washer	
ND008	27H6411	1	Brush Set	
ND009	520160A	1	Parking Switch, Clip Fitting	Check Fitting Before Ordering
ND010	517645A	1	Parking Switch, Screw Fitting	Cut To Length
ND011	37H5208	1	Wiper Rack	
ND012	37H3694	1	Male Ferrule	
Roadster Wipers & Fittings				
ND013A	AHH8770	1	Motor To W/Box Outer Tube	
ND014A	BHA4323	1	W/Box To W/Box Outer Tube	
ND015A	14G3722	1	W/Box Extension outer Tube	
ND016A	37H7738	2	Wiper Wheelbox & Nut	
ND017A	17H8769	2	8 Sided Wheelbox Nut	
ND018A	519988	2	Bezel & Bush Kit	
ND019A	ADC560	2	Sealing Washer	Included In Bush Kit 18A
ND020A	BHA4312	2	Chrome Bezel	
ND021A	37H3045	1	Drive Gear	
ND022A	37H4952	2	Wiper Arm (Narrow Satin)	Up to GHN4 164063 ('67-'69)
ND023A	GWB219	2	Wiper Blade (Narrow Satin)	GHN4 164064 To GHN5 294250 ('69-'72)
ND024A	BHA4914	2	Wiper Arm (Wide Satin)	
ND025A	GWB141	2	Wiper Blade (Wide Satin)	GHN5 294251 On ('72-On)
ND024B	BHA5201	2	Wiper Arm (Black)	
ND025B	GWB349	2	Wiper Blade (Black)	
GT Wipers & Fittings				
ND013B	AHH8771	1	Motor To W/Box Outer Tube	
ND014B	AHH7471	1	W/Box To W/Box Outer Tube	
ND015B	14G3722	1	Wheelbox Extension Outer Tube	
ND016B	AAU1073	2	Wiper Wheelbox & Nut	
ND017B	17H8769	2	8 Sided Wheelbox Nut	
ND018B	37H6879	2	Bezel & Bush Kit	
ND019B	27H6428	2	Sealing Washer	
ND020B	AHH7431	2	Chrome Bezel	Included In Bush Kit 18B
ND021B	37H3048	1	Wiper Gear	
ND022B	37H4952	2	Wiper Arm (Narrow Satin)	('67-'68)
ND023B	GWB143	2	Wiper Blade (Narrow Satin)	GHD4 139472 To GHD4 158230
ND024C	BHA4881	2	Wiper Arm (Wide Satin)	GHD4 158231 To GHD5 296000
ND025C	GWB144	2	Wiper Blade (Wide Satin)	GHD5 296001 On ('72-On)
ND024D	BHA5205	2	Wiper Arm (Black)	
ND025D	GWB505	2	Wiper Blade (Black)	



Section NE.

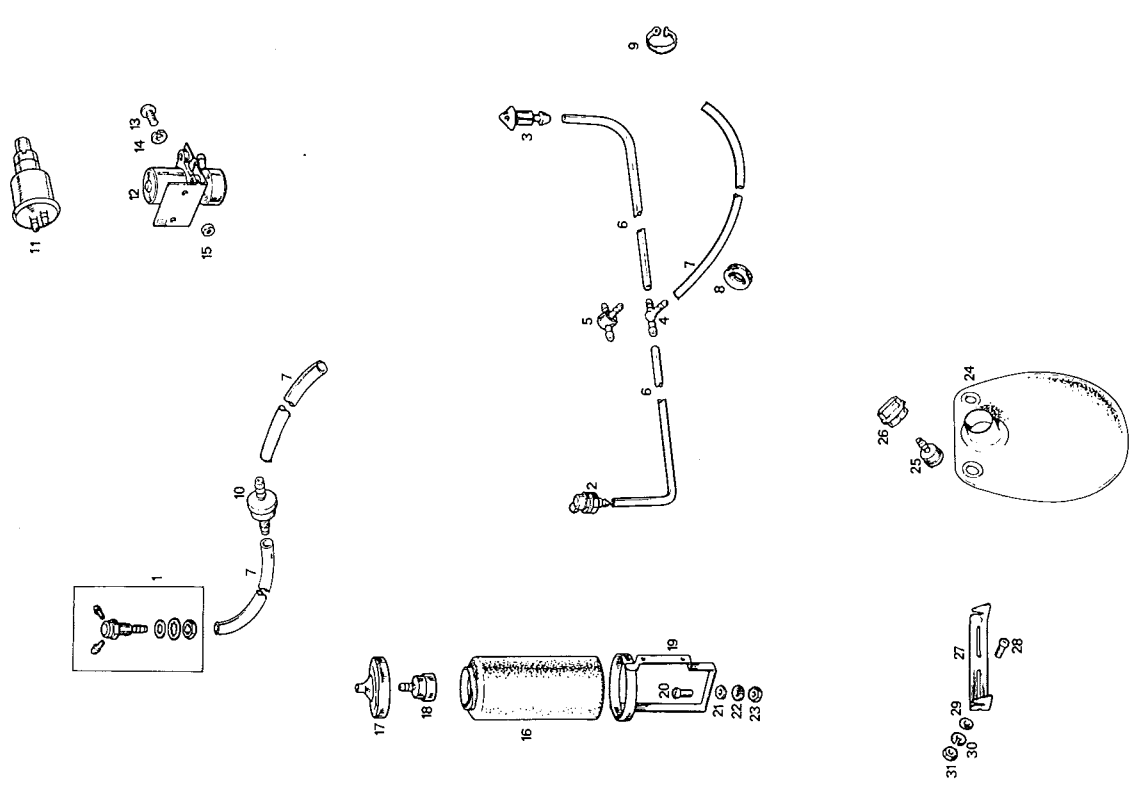
Windscreen Washers & Pump

No.	Part No.	Qty.	Description Remarks
NE001	GWV801	1	Windscreen Washer Jet
NE002	GWV802	2	Roadster Chrome Jet
NE003	GWV829	2	Roadster Plastic Jet
NE004	GWV404	1	T' Piece (3 Synchro)
NE005A	GWV408	1	T' Piece with in line valve
NE005B	GWV401	1	T' Piece with in line valve
NE006A	GWV201M	A/R	3/16" O/D Tube (Up to '76)
NE006B	GWV202M	A/R	1/4" O/D Tube ('77 on)
NE007	GWV202M	A/R	1/4" O/D Tube
NE008A	RRF104	1	Rubber Grommet
NE008B	RRF503	1	Rubber Grommet
NE009	13H6107	A/R	Rubber Strap
NE010	GWV504	1	In Line Valve
NE011	GWV102	1	Manual Washer Pump
NE012	GWV125	1	Electric Washer Pump
NE013	PMZ306	2	Pump to Bulkhead Screw
NE014	WL700101	2	Spring Washer
NE015	GHF206	2	Nut
NE016	GWV918	1	Washer Bottle
NE017	AHH6848	1	Washer Bottle Top
NE018	GWV506	1	Foot Valve
NE019	13H232	1	Washer Bottle Bracket
NE020	PMZ306	2	Screw
NE021	PWZ203	2	Flat Washer
NE022	WL700101	2	Spring Washer
NE023	GHF206	2	Nut
NE024	GWV917	1	Windscreen Washer Bag
NE025	GWV601	1	Filter with valve
NE026	GWV951	1	Cap
NE027	BHA4919	1	Container Bracket
NE028	PMZ308	2	Screw
NE029	GHF306	2	Flat Washer
NE030	WL700101	2	Spring Washer
NE031	GHF206	2	Nut

GT Only
Up to GHN5 447000
GHN5 447001 On
GHN3 Models
GHN4/5 Models
GHN5 447001 On
Priced Per
Metre
Length
Chrome Bumper
Rubber Bumper
GT Only

Sept '76 on
GHN/D5 410001 on
(62-'73)
Up to GHN/D5 321698
(74 on)
GHN/D5 321699 On

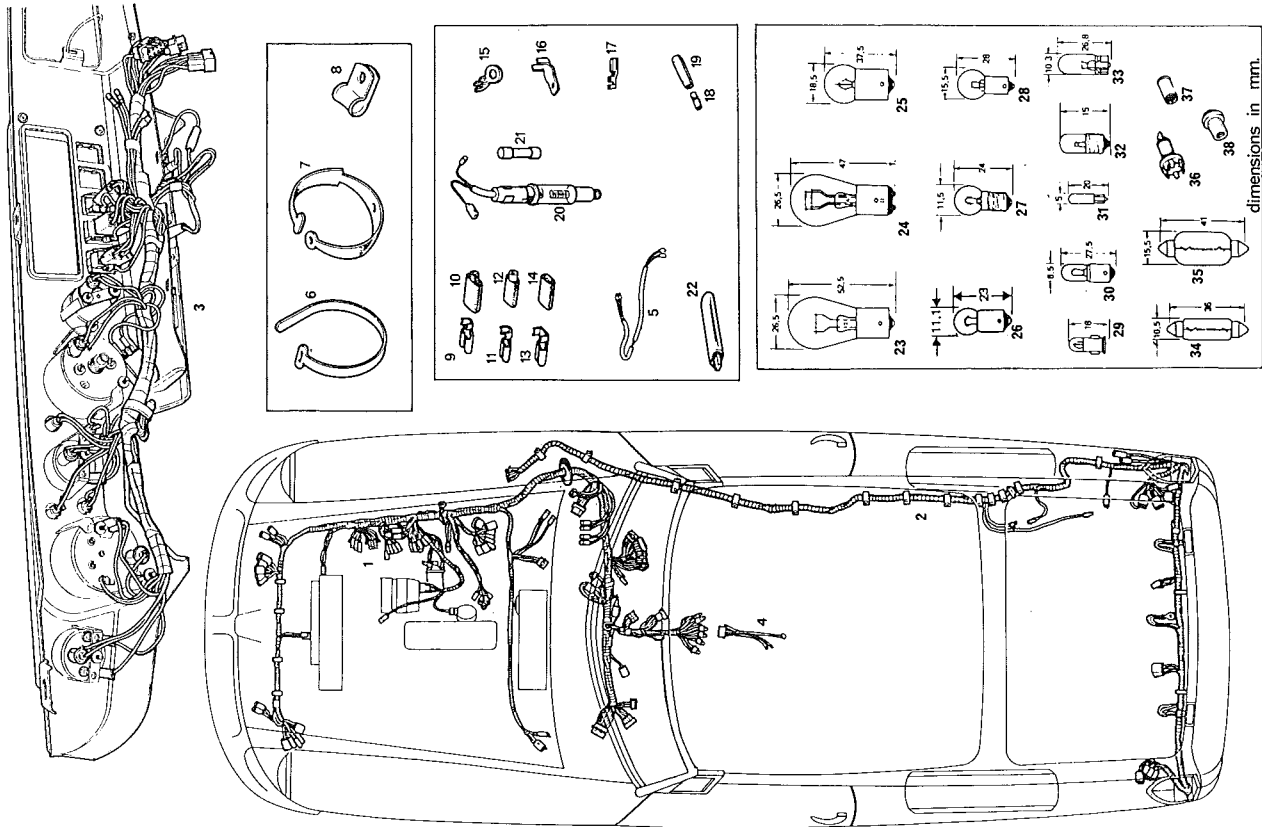
'65-On)
'63-'77)
'77-On)
'62-'67)
'67-'77)
'77-On)
'62-'74)
'74-On)
'67-'77)
'62-'76)



Section NF.

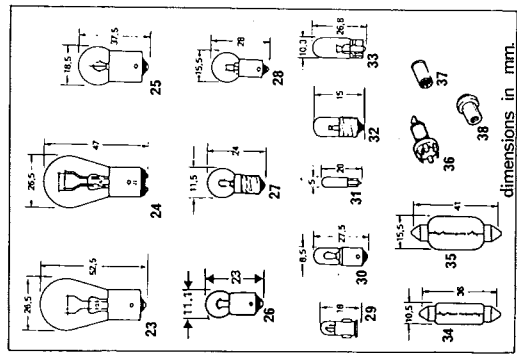
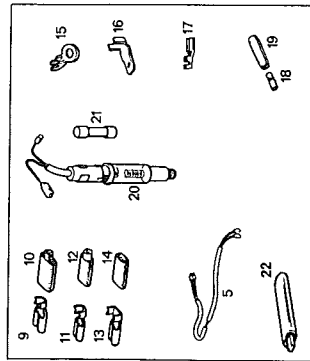
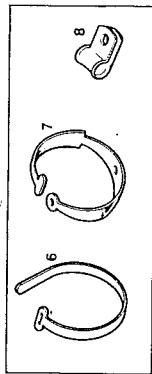
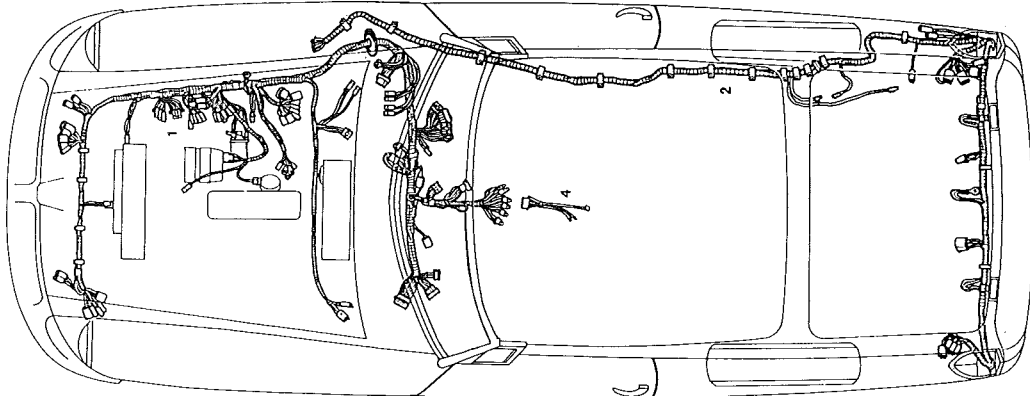
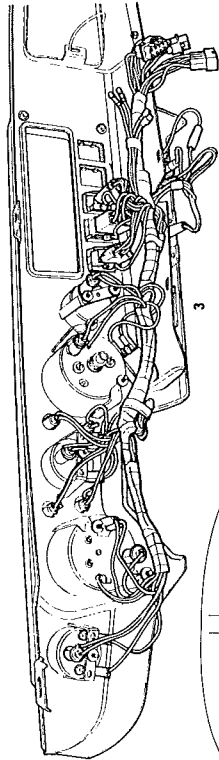
Wiring Harness & Fixings

No.	Part No.	Qty.	Description	Remarks	
1962-67 Complete Harnesses (Positive Earth Models)					
NF001A	BBL621	1	Full Harness, Jaeger Gauges	('62-'64) Up to GHN3 48765	
NF002A			Original Cloth, Roadster Only		
NF001B	BBL601	1	Full Harness, Jaeger Gauges		
NF002B			PVC, Roadster Only		
NF001C	BBL622	1	Full Harness, Smiths Gauges	('65-'67) GHN3 48766 to GND3 138400; up to GHD3 138400 Economy Alternative	
NF002C			Original Cloth, Roadster & GT (Provision for Reversing Lights)		
NF001D	BBL602	1	Full Harness, Smiths Gauges		
NF002D			PVC, Roadster & GT (Provision for Reversing Lights)		
1968 Harnesses - 16AC Alternator With Separate Control Box (GHN/D4 138401 - 158210)					
NF001E	AHH8778	1	Main Harness, Roadster & GT	Cloth Original PVC (Economy)	
NF001F	AHH8778B	1	Main Harness, Roadster & GT		
NF002E	AHH8779	1	Rear Harness, Roadster		
NF002F	AHH8779B	1	Rear Harness, Roadster		
NF002G	AHH8780	1	Rear Harness, GT		
NF002H	AHH8780B	1	Rear Harness, GT		
1969 Harnesses - 16ACR Alternator With Integral Control Box (GHN/D4 158211 to 187210)					
NF001G	AHH9157	1	Main Harness, Roadster & GT		Cloth Original PVC (Economy)
NF001H	AHH9157B	1	Main Harness, Roadster & GT		
NF002E	AHH8779	1	Rear Harness, Roadster		
NF002F	AHH8779B	1	Rear Harness, Roadster		
NF002G	AHH8780	1	Rear Harness, GT		
NF002H	AHH8780B	1	Rear Harness, GT		
1970 Harnesses - Horn Control on Indicator Stalk (GHN/D5 187211-219000)					
NF001I	BHH137	1	Main Harness, Roadster & GT	PVC	
NF002I	BHH140	1	Rear Harness, Roadster		
NF002J	BHH141	1	Rear Harness, GT		
1971 Harnesses - Horn in Centre of Steering Wheel (GHN/D5 219001-258000)					
NF001I	BHH382	1	Main harness, Roadster & GT	PVC	
NF002I	BHH386	1	Rear Harness, Roadster		
NF002J	BHH385	1	Rear harness, GT		
1972 Harnesses - Introduction of Radio & Tunnel Consoles (GHN/D5 258001-294250)					
NF001K	BHH644	1	Main Harness, Roadster & GT	PVC	
NF002K	BHH386	1	Rear Harness, Roadster		
NF002L	BHH385	1	Rear Harness, GT		



Section NF Continued
Wiring Harness & Fixings

No.	Part No.	Qty.	Description	Remarks
1973 Harnesses - 'RVC' Tachometer Fitted - Identified by 'RVC' (GHN/D5 294251-328100) Printed on tach. dial rather than 'RVI'				
NF001L	BHH1128	1	Main Harness, Roadster & GT	PVC
NF002K	BHH386	1	Rear Harness, Roadster	PVC
NF002L	BHH385	1	Rear Harness, GT	PVC
1974 Harnesses - Hazard Warning Lights; no. plate lights now on (GHN/D5 328101-360300) Rear Bumper, Not Overrides				
NF001M	BHH1495	1	Main Harness, Roadster & GT	PVC
NF002K	BHH386	1	Rear Harness, Roadster	PVC
NF002L	BHH385	1	Rear Harness, GT	PVC
1975-6 Harnesses - Early Rubber Bumper Models With Column Stalk (GHN/D5 360301-410000) Overdrive Switch				
NF001N	BHH1749	1	Main Harness, Roadster & GT	All Models Use PVC Harness
NF002M	BHH1739	1	Rear Harness, Roadster	
NF002N	BHH1742	1	Rear Harness, GT	
1977 Harnesses - Later Rubber Bumper Models; (GHN/D5 41001-437180) Single Line Brakes; O/D Switch on Gear Knob				
NF001P	BHH2034	1	Main Harness, Roadster & GT	PVC
NF002M	BHH1739	1	Rear Harness, Roadster	
NF002N	BHH1742	1	Rear Harness, GT	
NF003A	BHH2036	1	Dash Harness	
1978 Harnesses - Dual Line Braking Introduced (GHN/D5 437181-471000)				
NF001Q	BHH2196	1	Main Harness, Roadster & GT	PVC
NF002M	BHH1739	1	Rear Harness, Roadster	
NF002N	BHH1742	1	Rear Harness, GT	
NF003A	BHH2036	1	Dash Harness	
1979 Harnesses - Reintroduction of Early 18ACR Alternator (GHN/D5 471001-501003) Terminal with 2 large, 1 small, spade connections				
NF001R	BHH2255	1	Main Harness, Roadster & GT	PVC
NF002M	BHH1739	1	Rear Harness, Roadster	
NF002N	BHH1742	1	Rear Harness, GT	
NF003A	BHH2036	1	Dash Harness	
1980 Harnesses - Rear Fog Lamps Fitted (GVA/GDJ1AG 501004-511519)				
NF001S	BHH2383	1	Main Harness, Roadster & GT	PVC
NF002P	BHH2382	1	Rear Harness, Roadster	
NF002Q	BHH2441	1	Rear Harness, GT	
NF003B	BHH2381	1	Dash Harness	
1981 Harnesses (Introduced June '80) - Radiator Fan Switch (GVA/GDJ1AG 511520 on) With Spade Connections Replacing Pins				
NF001T	BHH2652	1	Main Harness, Roadster & GT	PVC
NF002P	BHH2382	1	Rear Harness, Roadster	
NF002Q	BHH2441	1	Rear Harness, GT	
NF003B	BHH2381	1	Dash Harness	



Section NF Continued

Wiring Harness & Fixings

No.	Part No.	Qty.	Description	Remarks
NF004A	AHH7168	1	O/Drive Harness Bulkhead	3 Synchro Cars Up to GHN/D3 138400
NF004B	AHH8174	1	O/Drive & Reverse Light Harness Gearbox	
NF004C	AHC258	1	O/Drive & Reverse Light Harness	
NF004D	AHC258A	1	Overdrive Harness	
NF004E	AHC258X	1	Overdrive Harness	4 Synchro Cars GHN/D4 138401 to 360300 GHN/D5 360301 to 410000 GHN/D5 410001 On GHN/D5 410001 On (76-On)
NF005A	520999B	1	Overdrive Switch Harness Sleeve	
NF005B	BHH2672	1	Overdrive Switch Harness	
NF005C	BHH1931	1	Seatbelt/Sensor Harness	
NF006A	2K6640	A/R	Alloy Harness Strap (Small)	
NF007A	13H6107	A/R	Rubber Harness Strap	
NF006B	AHH7108	A/R	Rubber Harness Strap	
NF007B	GHF1266	A/R	Alloy Harness Strap (Large)	
NF008A	PCR207	A/R	Harness Strap (Plastic)	
NF008B	PCR307	A/R	Clip, 1/8" Cable Dia. x 7/32" Fixing Hole	
NF008C	PCR309	A/R	Clip, 3/16" Cable Dia. x 7/32" Fixing Hole	
NF008D	PCR407	A/R	Clip, 3/16" Cable Dia. x 9/32" Fixing Hole	
NF008E	PCR409	A/R	Clip, 1/4" Cable Dia. x 7/32" Fixing Hole	
NF008F	PCR411	A/R	Clip, 1/4" Cable Dia. x 9/32" Fixing Hole	
NF008G	CP105081	A/R	Clip, 1/4" Cable Dia. x 11/32" Fixing Hole	
NF008H	PCR509	A/R	Clip, 5/16" Cable Dia. x 7/32" Fixing Hole	
NF008I	PCR511	A/R	Clip, 5/16" Cable Dia. x 9/32" Fixing Hole	
NF008J	PCR607	A/R	Clip, 3/8" Cable Dia. x 11/32" Fixing Hole	
NF008K	PCR707	A/R	Clip, 7/16" Cable Dia. x 7/32" Fixing Hole	
NF008L	PCR709	A/R	Clip, 7/16" Cable Dia. x 9/32" Fixing Hole	
NF008M	PCR807	A/R	Clip, 1/2" Cable Dia. x 9/32" Fixing Hole	
NF008N	PCR809	A/R	Clip, 1/2" Cable Dia. x 7/32" Fixing Hole	
NF008P	PCR1007	A/R	Clip, 5/8" Cable Dia. x 7/32" Fixing Hole	
NF008Q	PCR1008	A/R	Clip, 3/4" Cable Dia. x 9/32" Fixing Hole	
NF008R	PCR1207	A/R	Clip, 3/4" Cable Dia. x 7/32" Fixing Hole	
NF008S	PCR1209	A/R	Clip, 3/4" Cable Dia. x 9/32" Fixing Hole	
NF008T	PCR1407	A/R	Clip, 7/8" Cable Dia. x 7/32" Fixing Hole	
NF008T	PCR1409	A/R	Clip, 7/8" Cable Dia. x 9/32" Fixing Hole	

NF. Continued.

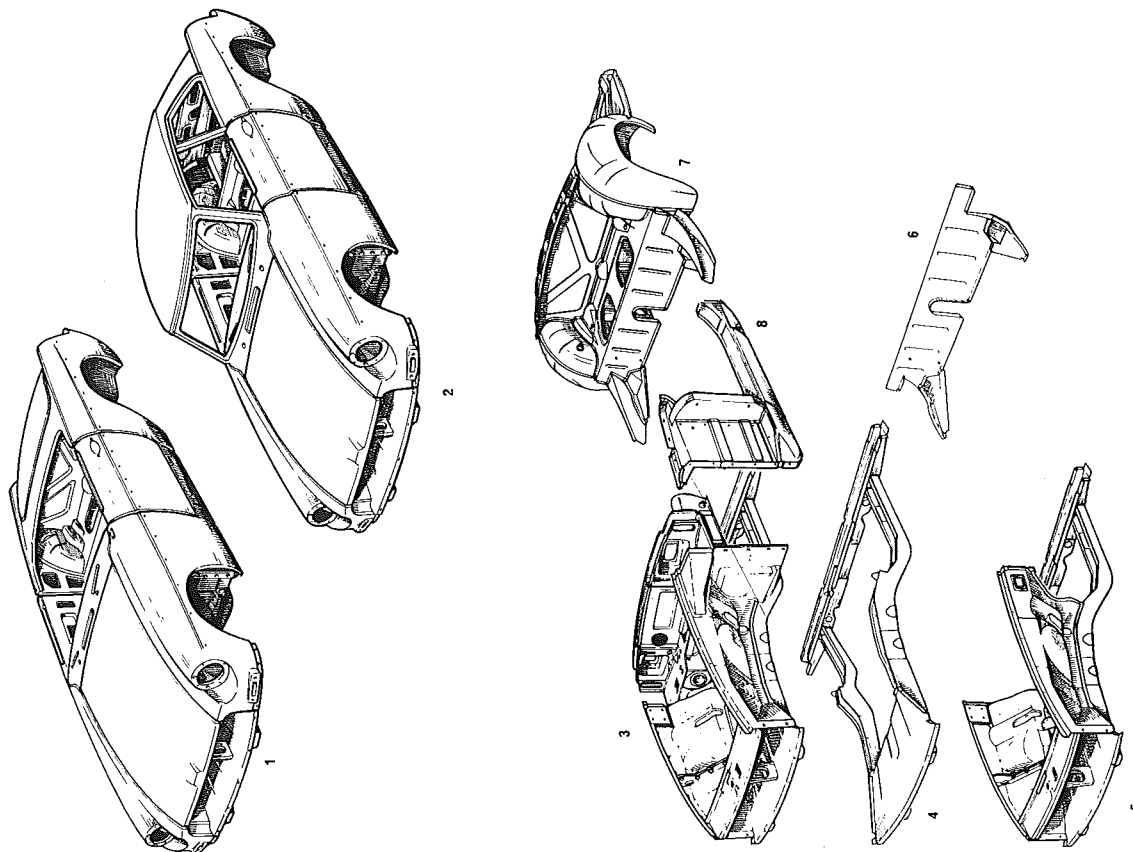
Wiring Harness & Fixings.

No.	Part No.	Qty.	Description	Remarks
NF009	47H5496	A/R	Single Socket	17.5 Amp
NF010	511269	A/R	Insulator Sleeve	17.5 Amp
NF011	RTC220A	A/R	Double Socket	17.5 Amp
NF012	5L287	A/R	Insulator Sleeve	17.5 Amp
NF013	47H5419	A/R	Single Socket	35 Amp
NF014	5L289	A/R	Insulator Sleeve	35 Amp
NF015A	17H5287	A/R	Eyelet 3/16" Dia	
NF015B	37H5148	A/R	Eyelet 1/4" Dia	
NF015C	13H625	A/R	Eyelet 5/16" Dia	
NF016	BHA4552	A/R	Blade Connector	
NF017	13H2050	A/R	Lucar Connector	
NF018	003632	A/R	Bullet Connector	
NF019A	2H3406	A/R	Single Connector	
NF019B	RTC603A	A/R	Double Connector	
NF019C	2H4992	A/R	Treble Connector	
NF020	27H3588	A/R	Inline Fuse Holder	10 Amp
NF021A	GFS3010	A/R	Fuses, Pack of 5	15 Amp
NF021B	GFS3015	A/R	Fuses, Pack of 5	25 Amp
NF021C	GFS3025	A/R	Fuses, Pack of 5	35 Amp
NF021D	GFS3035	A/R	Fuses, Pack of 5	Handbrake Warning Light
NF022	AAU5034	1	Blocking Diode	
Bulbs & Bulb Holders				
NF023	GLB382	A/R	Direction Indicator	21 Watt
NF024	GLB380	A/R	Stop/Tail	21/5 Watt
NF025	GLB207	A/R	Number Plate ('62-'74)	5 Watt
NF026	GLB643	A/R	Instrument (Cigar Lighter)	2.2 Watt
NF027	GLB987	A/R	Instrument (Panel), Interior Lamp ('76 On)	2.2 Watt
NF028	GLB989	A/R	Side Lamp	6 Watt
NF029	GLB281	A/R	Switch Illumination	2 Watt
NF030	GLB233	A/R	Side Lamp, Headlamp Pilot	4 Watt
NF031	GLB921	A/R	Switch Illumination	0.75 Watt
NF032	GLB280	1	Brake Warning	1.5 Watt
NF033	GLB501	2	Headlamp Pilot	5 Watt
NF034	GLB239	A/R	Interior/Boot/Number Plate	18 Watt
NF035	GLB273	A/R	Reverse Light	
NF036	37H5181	1	Bulb Holder	Bayonet
NF037	13H1925	1	Bulb Holder	Screw Type
NF038	13H1926	1	Bulb Holder	

Section OA.

Bodyshells & Subassemblies 4 Synchro Only ('68-'80)

Bodyshells with Doors, Wings, Bonnet & Boot Lid

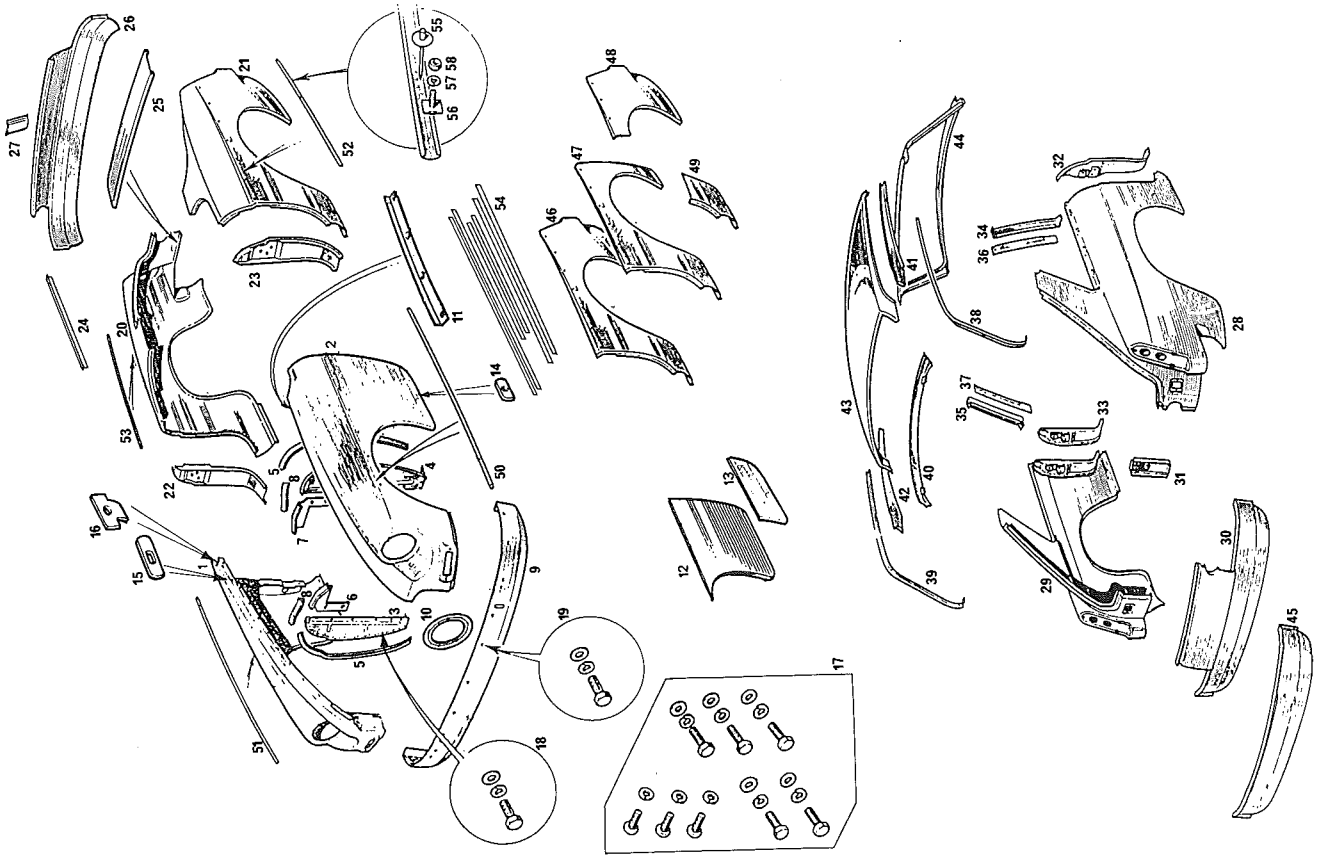


No.	Part No.	Qty.	Description	Remarks
OA001A	HZA4245	1	Roadster Body ('68-'74)	Chrome Bumper
OA001B	HZA5539	1	Roadster Body ('75-'80)	Rubber Bumper
OA002A	HZA4244	1	GT Body ('68-'74)	Chrome Bumper
OA002B	HZA5546	1	GT Body ('75-'80)	Rubber Bumper
Subassemblies				
OA003A	HZA4051	1	Front Underframe, Complete	Chrome Bumper
OA003B	HZA5537	1	Front Underframe, Complete	Rubber Bumper
OA004A	BMH4000	1	Front Chassis Frame	Chrome Bumper
OA004B	BMH4001	1	Front Chassis Frame	Rubber Bumper
OA005A	BMH4002	1	Front Chassis with Wheelarches	Chrome Bumper
OA005B	BMH4003	1	Front Chassis with Wheelarches	Rubber Bumper
OA006A	HZA488	1	Rear Heelboard Assembly	Chrome Bumper
OA006B	HZA488X	1	Rear Heelboard Assembly	Rubber Bumper
OA007A	HZA3971	1	Rear End Underframe, Complete	Chrome Bumper
OA007B	HZA5268	1	Rear End Underframe, Complete	Rubber Bumper
OA008A	HZA668	1	Sill, Dash Side & 'A' Post RH	Chrome Bumper
OA008B	HZA5216	1	Sill, Dash Side & 'A' Post RH	Rubber Bumper
OA008C	HZA669	1	Sill, Dash Side & 'A' Post LH	Chrome Bumper
OA008D	HZA5217	1	Sill, Dash Side & 'A' Post LH	Rubber Bumper

Section OB

Front & Rear Wings, Valances, Roof Panel

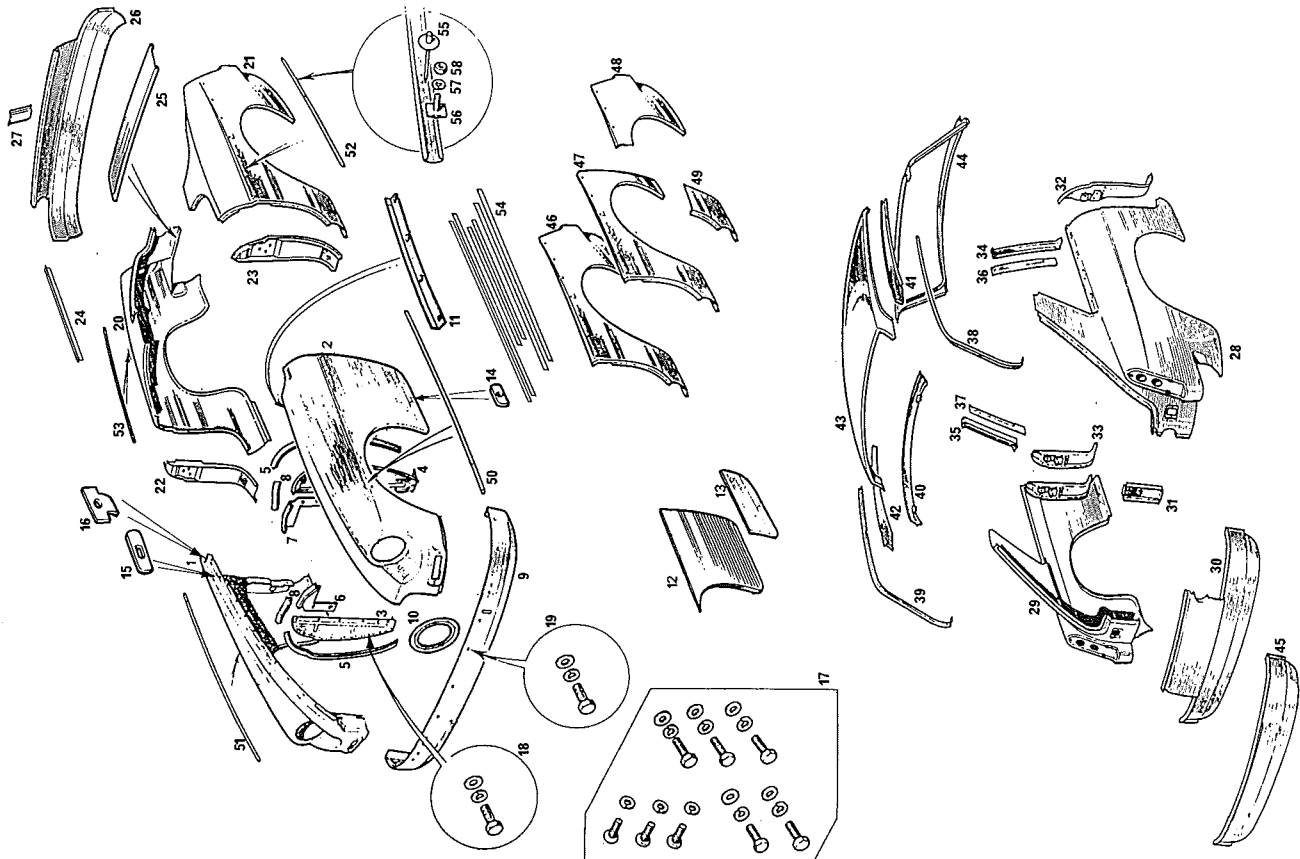
No.	Part No.	Qty.	Description	Remarks
Front Wings Roadster				
OB001A	HZA409	1	RH Front Wing Assembly	Up to GHN4 158370
OB002A	HZA410	1	LH Front Wing Assembly	Up to GHN4 158370
OB001B	HZA3804	1	RH Front Wing Assembly	GHN4 158371 to GHN5 187210
OB002B	HZA3805	1	LH Front Wing Assembly	GHN4 158371 to GHN5 187210
OB001C	HZA3842	1	RH Front Wing Assembly	GHN5 187211 to GHN5 360300
OB002C	HZA3843	1	LH Front Wing Assembly	GHN5 187211 to GHN5 360300
OB001D	HZA4832	1	RH Front Wing Assembly	Rubber Bumper Models
OB002D	HZA4833	1	LH Front Wing Assembly	Rubber Bumper Models
Front Wings GT				
OB001E	HZA2124	1	RH Front Wing Assembly	Up to GHD4 158230
OB002E	HZA2125	1	LH Front Wing Assembly	Up to GHD4 158230
OB001F	HZA3806	1	RH Front Wing Assembly	GHD4 158231 to GHD5 187840
OB002F	HZA3807	1	LH Front Wing Assembly	GHD4 158231 to GHD5 187840
OB001G	HZA3846	1	RH Front Wing Assembly	GHD5 187841 to GHD5 361000
OB002G	HZA3847	1	LH Front Wing Assembly	GHD5 187841 to GHD5 361000
OB001H	HZA4836	1	RH Front Wing Assembly	Rubber Bumper Models
OB002H	HZA4837	1	LH Front Wing Assembly	Rubber Bumper Models
OB003A	HZA4304	1	RH Baffle Plate with Seal	Genuine
OB003B	HZA4304B	1	RH Baffle Plate with Seal	Repro
OB004A	HZA4305	1	LH Baffle Plate with Seal	Genuine
OB004B	HZA4305B	1	LH Baffle Plate with Seal	Repro
OB005	BHH626	2	Baffle Plate Seal	Cut To Length
OB006	HZA302	1	RH Baffle Extension	('62-'72)
OB007	HZA303	1	LH Baffle Extension	('62-'72)
OB008	BHH626	2	Baffle Extension Seal	('73-'74)
OB009A	BRP01	1	Genuine Front Valance, No Air Holes	('73-'74)
OB009B	HZA592X	1	Repro Front Valance, No Air Holes	('73-'74)
OB009C	HZA592	1	Genuine Front Valance, Two Air Holes	('75 on)
OB009D	BRP02	1	Repro Front Valance, Two Air Holes	
OB009E	BRP50	1	Front Valance, Rubber Bumper	
OB010	CZA81	2	Replacement Headlamp Mounting	
OB011	BRP03	A/R	Flitch Repair	
OB012A	BRP11	1	Front Wing Lower 1/2 RH	
OB012B	BRP10	1	Front Wing Lower 1/2 LH	
OB013A	BRP11A	1	Front Wing Lower 1/4 RH	
OB013B	BRP10A	1	Front Wing Lower 1/4 LH	
Fitting Hardware				
OB014	AFH2546	6	Elongated Washer	Roadster & GT
OB015	AFH2627	2	Large Washer	GT Only
OB016	AHH8094	2	Wing Clamp	Does Not Include OB014/15/16
OB017	GBK3001	2	Wing Fitting Kit	One Kit Fits Both Baffles
OB018	HZA2320BK	1	Baffle Fitting Kit	
OB019	GBK3002	1	Valance Fitting Kit	



Section OB Continued

Front & Rear Wings, Valances, Roof Panel

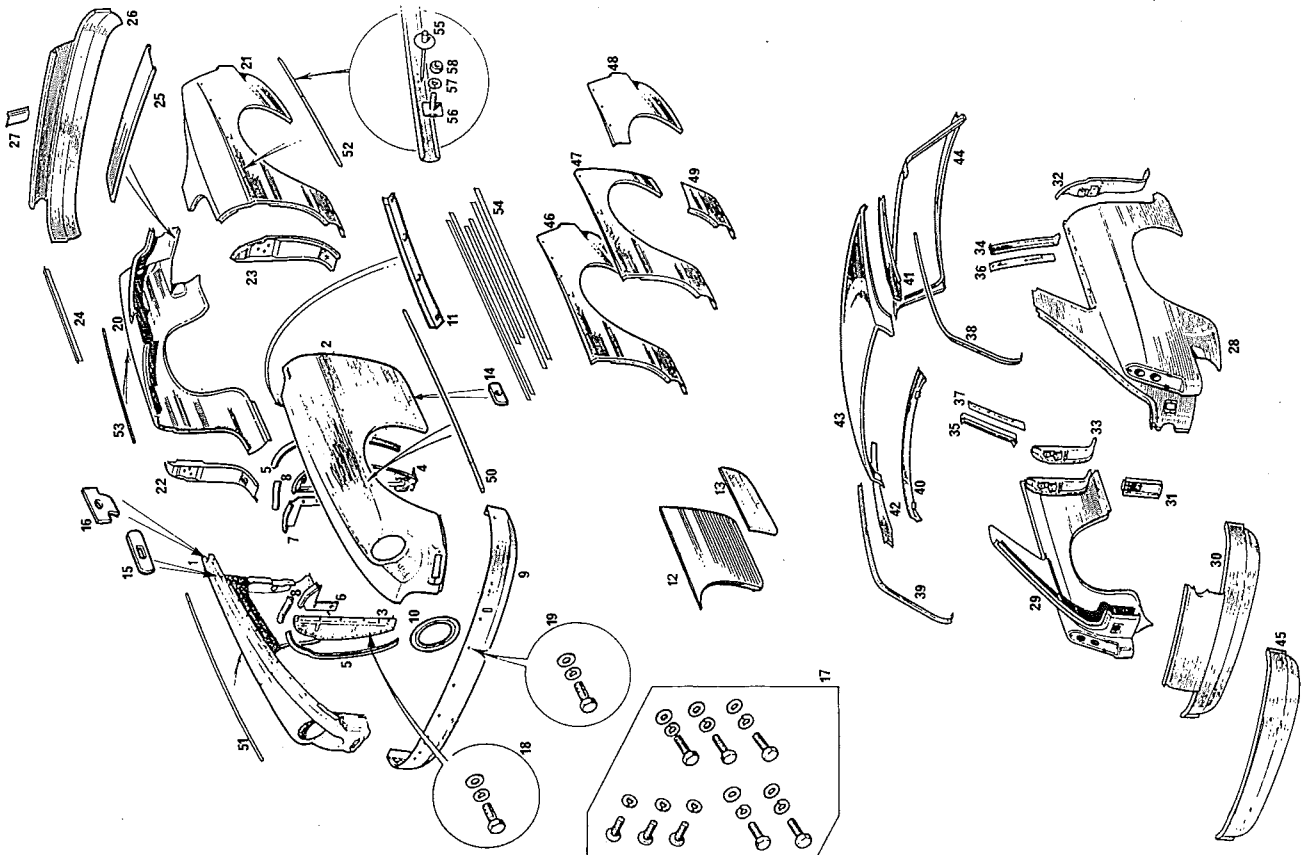
No.	Part No.	Qty.	Description	Remarks
Rear Outer Panels, Roadster				
OB020A	HZA4224	1	Rear Wing RH	} Chrome Bumper
OB021A	HZA4225	1	Rear Wing LH	
OB020B	HZA5000	1	Rear Wing RH	} Rubber Bumper
OB021B	HZA5001	1	Rear Wing LH	
OB022	HZA582	1	'B' Post RH	} Up to GHN5 410000
OB023	HZA583	1	'B' Post LH	
OB024	MRP85	A/R	Wing Beading (5'5" length)	} GHN5 410000 on
OB025A	HZA133	1	Rear Deck	
OB025B	HZA4212	1	Rear Deck	} Chrome Bumper
OB026A	HZA4217	1	Rear Panel & Valance	
OB026B	HZA4850	1	Rear Panel & Valance	} Rubber Bumper
OB027	HZA470	1	Boot Lid Striker Post	
Rear Outer Panels, GT				
OB028A	HZA4222	1	Rear Wing RH	} Chrome Bumper
OB029A	HZA4223	1	Rear Wing LH	
OB028B	HZA4904	1	Rear Wing RH	} Rubber Bumper
OB029B	HZA4905	1	Rear Wing LH	
OB030A	HZA4217	1	Rear Valance	} Chrome Bumper
OB030B	HZA4849	1	Rear Valance	
OB031	HZA470	1	Tailgate Striker Post	} Rubber Bumper
OB032	HZA582	1	'B' Post RH	
OB033	HZA583	1	'B' Post LH	} Upper 'B' Post RH
OB034	HZA4108	1	Upper 'B' Post LH	
OB035	HZA4109	1	Upper 'B' Post LH	} 'B' Post Closing Panel RH
OB036	HZA2032	1	'B' Post Closing Panel LH	
OB037	HZA2033	1	'B' Post Closing Panel LH	} Drain Strip RH
OB038	HZA2132	1	Drain Strip LH	
OB039	HZA2133	1	Drain Strip LH	} Roof Rear Closing Panel
OB040	HZA3917	1	Roof Rear Closing Panel	
OB041	HZA2020	1	Cant Rail RH	} Cant Rail LH
OB042	HZA2021	1	Cant Rail LH	
OB043	HZA3995	1	Roof	} Windscreen Frame
OB044	HZA5553	1	Windscreen Frame	
Rear Repair Panels, Roadster & GT				
OB045A	BRP51	1	Rear Valance Repair	} Chrome Bumper
OB045B	BRP52	1	Rear Valance Repair	
OB046A	BRP23	1	Lower Wing RH	} Rubber Bumper
OB046B	BRP22	1	Lower Wing LH	
OB047A	BRP21	1	Lower Wing 3/4 Length RH	} Lower Wing 3/4 Length LH
OB047B	BRP20	1	Lower Wing 3/4 Length LH	
OB048A	BRP25	1	Lower Rear Corner RH	} Lower Rear Corner LH
OB048B	BRP24	1	Lower Rear Corner LH	
OB049A	BRP17	1	'B' Post to Wheelarch RH	} 'B' Post to Wheelarch LH
OB049B	BRP16	1	'B' Post to Wheelarch LH	



Section OB Continued

Front & Rear Wings, Valances, Roof Panel

No.	Part No.	Qty.	Description	Remarks
Wing Mouldings				
OB050	AHH6103	1	Front Wing RH	
OB051	AHH6104	1	Front Wing LH	
OB052	AHH6107	1	Rear Wing RH	
OB053	AHH6108	1	Rear Wing LH	
OB054A	AHH6103SBL	1	Car Set of Mouldings, (inc. door mouldings) Genuine	
OB054B	AHH6103SET	1	Car Set of Mouldings, (inc. door mouldings) Repr.	
OB055	GHF1435	36	Clip & Rivet	6 per wing, 6 per door
OB056	AHH6360	6	Stud Plate	1 per wing, 1 per door
OB057	WL700101	6	Spring Washer	
OB058	GHF206	6	Nut	



Section OC.

Front Chassis Panels & Sills

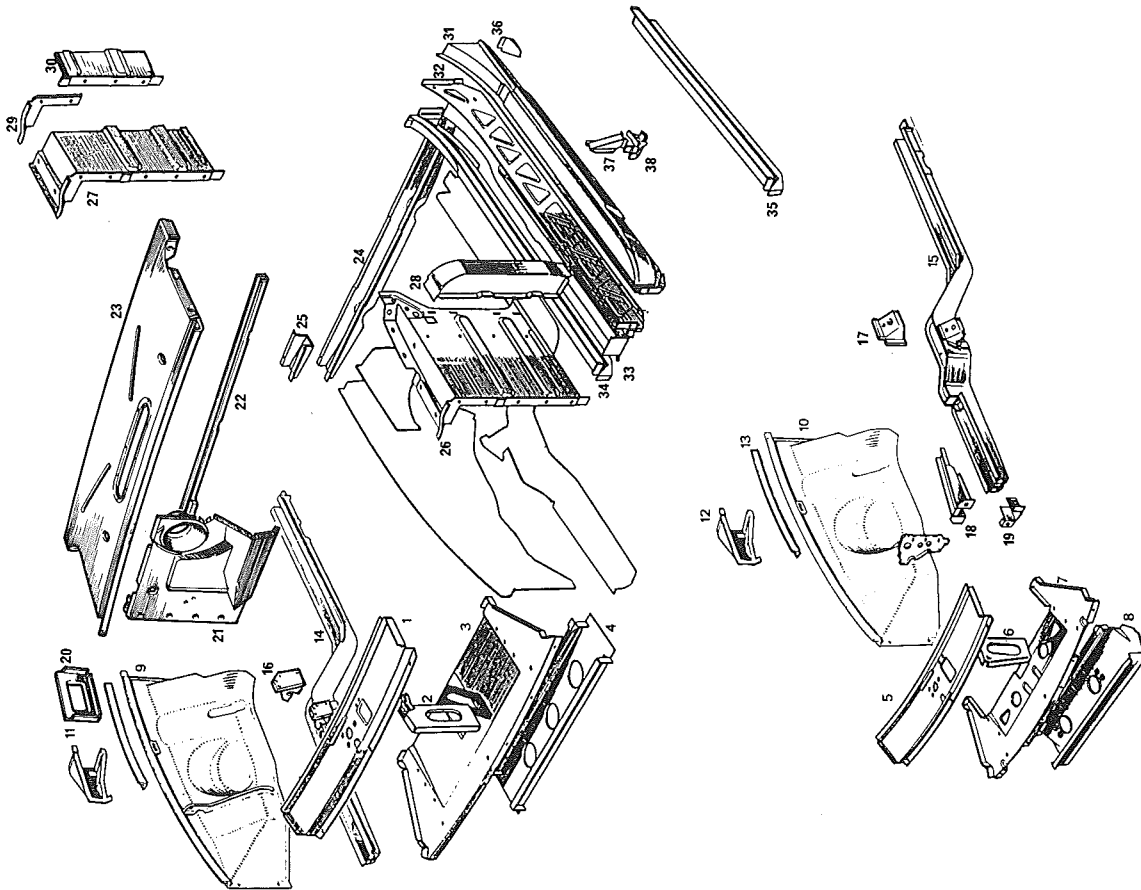
No.	Part No.	Qty.	Description	Remarks
-----	----------	------	-------------	---------

Chrome Bumper Models Front End

OC001	HZA388	1	Bonnet Locking Platform	
OC002	HZA461	1	Platform Support Panel	
OC003	HZA465	1	Radiator Duct Panel	
OC004	HZA171	1	Radiator Duct Support Panel	

Rubber Bumper Models Front End

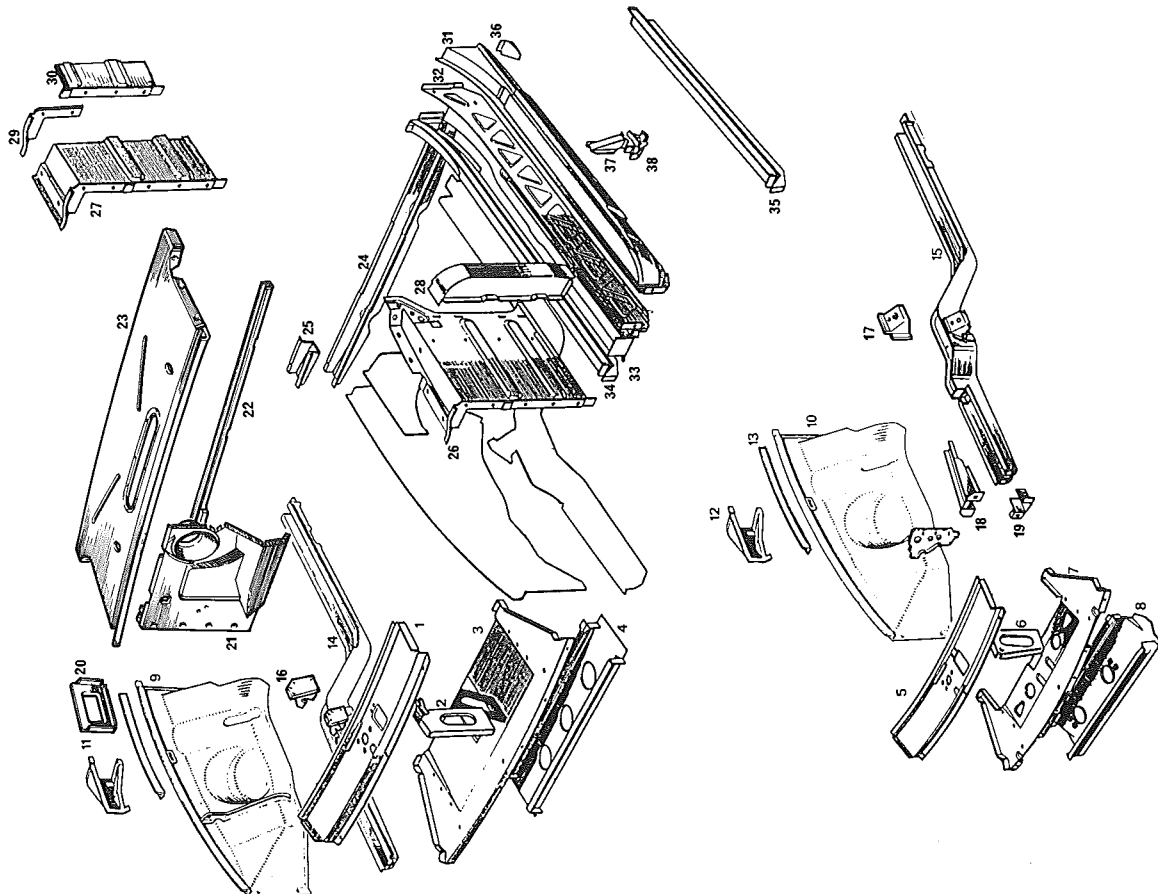
OC005	HZA4617	1	Bonnet Locking Platform	Up to GHN/D5 410000 Up to GHN/D5 410000 GHN/D5 410001 On GHN/D5 410001 On
OC006	HZA4618	1	Platform Support Panel	
OC007	HZA4851	1	Radiator Duct Panel	
OC008	HZA4858	1	Radiator Duct Support Panel	
OC009A	HZA4192	1	RH Front Wheelarch Panel	Up to GHN/D5 386600 From GHN/D5 386601 On
OC009B	HZA4193	1	LH Front Wheelarch Panel	
OC010A	HZA5322	1	RH Front Wheelarch Panel	
OC010B	HZA5323	1	LH Front Wheelarch Panel	
OC010C	HZA5346	1	RH Front Wheelarch Panel	
OC010D	HZA5347	1	LH Front Wheelarch Panel	
OC011A	HZA168	1	RH Front Wing R/forcement	
OC011B	HZA169	1	LH Front Wing R/forcement	
OC012A	HZA5320	1	RH Front Wing R/forcement	
OC012B	HZA5321	1	LH Front Wing R/forcement	
OC013	BRP03	A/R	Fitch Repair Panel	Includes Captive Nuts
OC014A	HZA590	1	RH Front Side Member Assy.	
OC014B	HZA591	1	LH Front Side Member Assy.	Chrome Bumper
OC015A	HZA4966	1	RH Front Side Member Assy.	
OC015B	HZA4967	1	LH Front Side Member Assy.	Rubber Bumper
OC016A	HZA392	1	Engine Mounting Bracket RH	
OC016B	HZA393	1	Engine Mounting Bracket LH	Chrome Bumper
OC017A	HZA4504	1	Engine Mounting Bracket RH	
OC017B	HZA4505	1	Engine Mounting Bracket LH	Rubber Bumper
OC018A	HZA4866	1	Bumper Mounting Top RH	
OC018B	HZA4867	1	Bumper Mounting Top LH	Rubber Bumper Only
OC019A	HZA4818	1	Bumper Mounting Lower RH	
OC019B	HZA4819	1	Bumper Mounting Lower LH	Chrome Bumper Only Rubber Bumper Only Chrome Bumper Roadster Only
OC020A	HZA158	1	Wheelarch Extension to Bulkhead RH	
OC020B	HZA159	1	Wheelarch Extension to Bulkhead LH	
OC021A	HZA624	1	Pedalbox Front RH	
OC021B	HZA703	1	Pedalbox Front LH	
OC021C	HZA5335	1	Pedalbox Front RH	
OC021D	HZA4607	1	Pedalbox Front LH	
OC022A	HZA1446	1	Scuttle Stiffener	
OC022B	HZA4868	1	Scuttle Stiffener	
OC023	HZA672	1	Shroud	



Section OC. Continued.

Front Chassis Panels & Sills

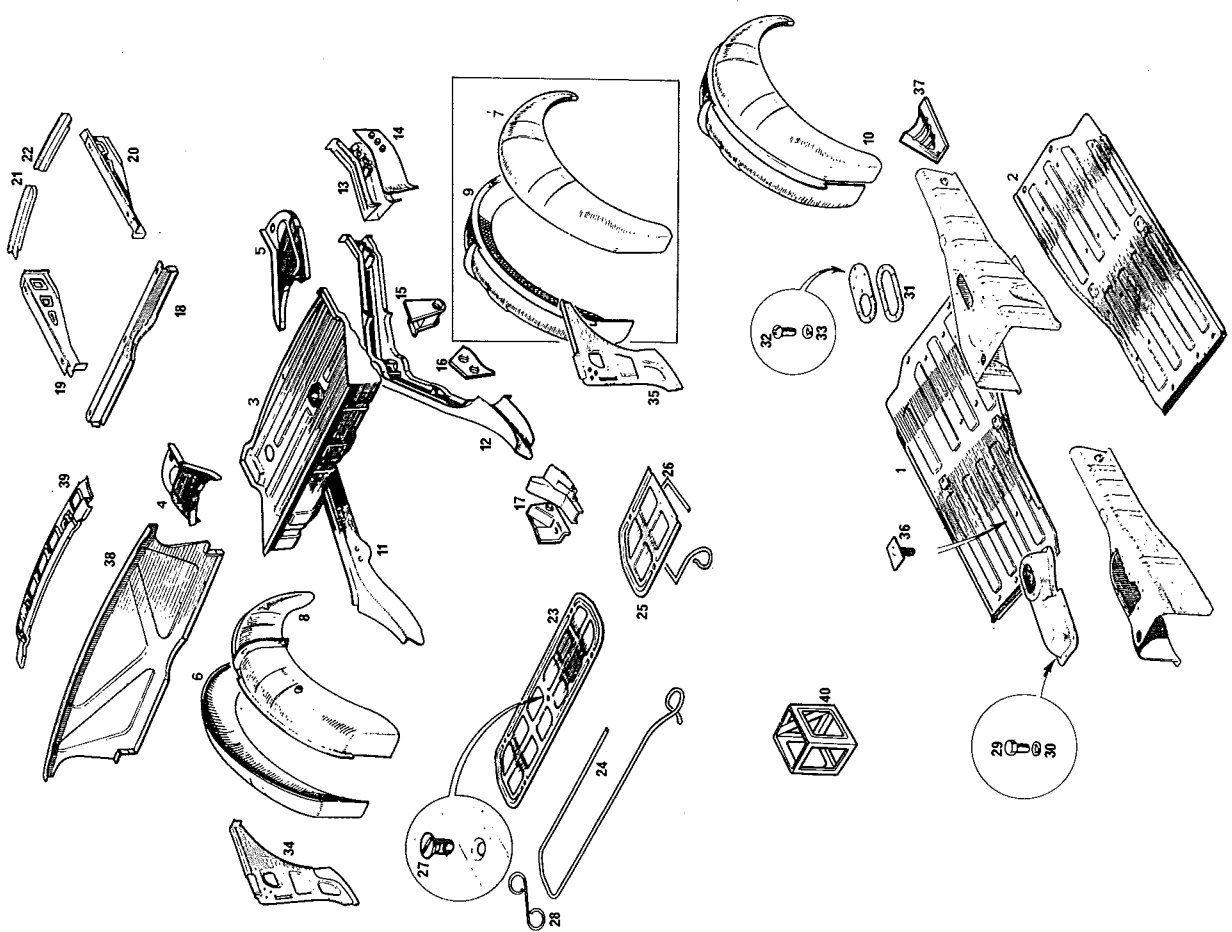
No.	Part No.	Qty.	Description	Remarks
All Models				
OC024	HZA464	1	Centre Crossmember	
OC025	BRP38	2	Jacking Point to Crossmember Repair Panel	
OC026A	HZA403	1	RH Dash Side Panel	Roadster
OC026B	HZA404	1	LH Dash Side Panel	Roadster
OC026C	HZA2146	1	RH Dash Side Panel	GT
OC026D	HZA2147	1	LH Dash Side Panel	GT
OC027A	HZA403A	1	RH Dash Side Panel Repair	
OC027B	HZA404A	1	LH Dash Side Panel Repair	
OC028A	HZA442	1	RH A Post Assembly	Chrome Bumper
OC028B	HZA443	1	LH A Post Assembly	Roadster
OC028C	HZA2136	1	RH A Post Assembly	Chrome Bumper
OC028D	HZA2137	1	LH A Post Assembly	GT
OC028E	HZA5212	1	RH A Post Assembly	Rubber Bumper
OC028F	HZA5213	1	LH A Post Assembly	Roadster
OC028G	HZA5218	1	RH A Post Assembly	Rubber Bumper
OC028H	HZA5219	1	LH A Post Assembly	GT
OC029A	HZA303	1	LH Baffle Plate Extension	
OC029B	HZA302	1	RH Baffle Plate Extension	
OC030A	BRP06A	1	LH Baffle Plate Mounting Bracket	
OC030B	BRP07A	1	RH Baffle Plate Mounting Bracket	
OC031A	HZA497	1	LH Outer Sill Panel	
OC031B	HZA496	1	RH Outer Sill Panel	
OC032A	HZA188	1	LH Inner Sill Panel	
OC032B	HZA189	1	RH Inner Sill Panel	
OC033A	HZA238	1	LH Castle Section	
OC033B	HZA239	1	RH Castle Section	
OC034A	HZA236	1	LH Side Member	
OC034B	HZA237	1	RH Side Member	
OC035A	HZA236A	1	LH Side Member Repair	Front 4 Feet
OC035B	HZA237A	1	RH Side Member Repair	Front 4 Feet
OC036A	HZA260	1	RH Sill End Filler	
OC036B	HZA261	1	LH Sill End Filler	
OC037	HZA231	2	Jacking Point R/forcement	
OC038	HZA492	2	Jacking Point	



Section OD.

Floor Pans, Wheel Arches and Rear Chassis Members

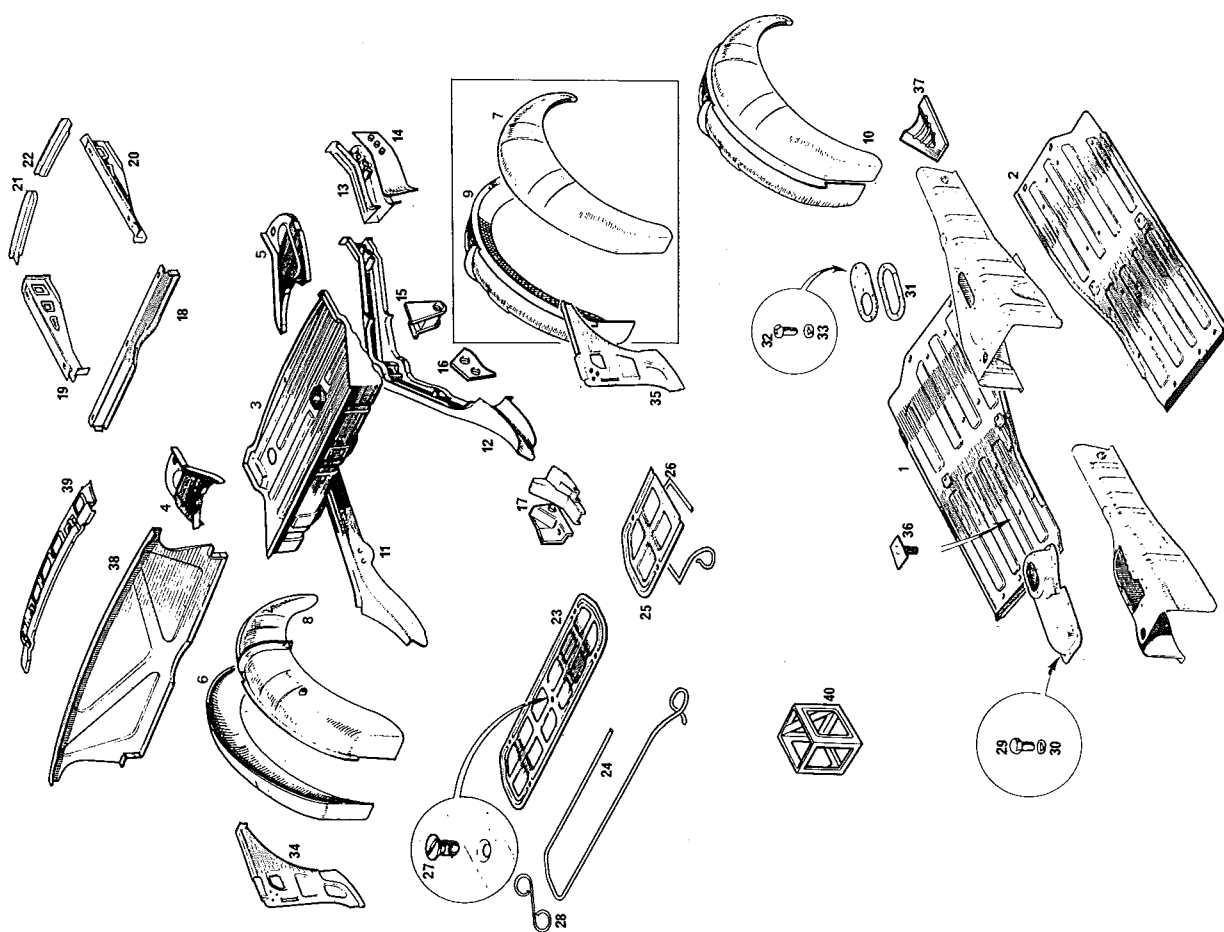
No.	Part No.	Qty.	Description	Remarks
OD001A	BRP33	1	RH Floor Pan	3 Synchro Cars
OD001B	HZA628	1	RH Floor Pan	4 Synchro Cars
OD002A	BRP32	1	LH Floor Pan	3 Synchro Cars
OD002B	HZA629	1	LH Floor Pan	4 Synchro Cars
OD003A	HZA535	1	Boot Floor	Chrome Bumper
OC003B	HZA5529	1	Boot Floor	Rubber Bumper
OD004	HZA160	1	RH Boot Floor Extension	
OD005	HZA161	1	LH Boot Floor Extension	
OD006	HZA138	1	RH Outer Wheel Arch Panel	Roadster Up to GHN5 268078
OD007	HZA615	1	LH Outer Wheel Arch Panel	Roadster GHN5 268079 On
OD008A	HZA2234	1	RH Inner Wheel Arch Panel	GT
OD008B	HZA4118	1	RH Inner Wheel Arch Panel	Roadster Up to GHN5 268078
OD008C	HZA2232	1	RH Inner Wheel Arch Panel	Roadster GHN5 268079 On
OD009A	HZA2235	1	LH Inner Wheel Arch Panel	GT
OD009B	HZA4119	1	LH Inner Wheel Arch Panel	Fit All Models
OD009C	HZA2233	1	LH Inner Wheel Arch Panel	Chrome Bumper
OD010A	BMH9000	1	Complete Wheel Arch RH	Rubber Bumper
OD010B	BMH9001	1	Complete Wheel Arch LH	Chrome Bumper
OD011A	HZA3974	1	RH Side Member	Rubber Bumper
OD011B	HZA4924	1	LH Side Member	Chrome Bumper
OD012A	HZA3975	1	LH Side Member	Rubber Bumper
OD012B	HZA4925	1	LH Side Member	Chrome Bumper
OD013A	BRP40	1	RH Rear Chassis Leg Repair	Chrome Bumper
OD013B	BRP39	1	LH Rear Chassis Leg Repair	Rubber Bumper
OD013C	BRP42	1	RH Rear Chassis Leg Repair	Chrome Bumper
OD013D	BRP41	1	LH Rear Chassis Leg Repair	Rubber Bumper
OD014A	HZA272	1	Rear Sidemember Closing Panel RH	Chrome
OD014B	HZA273	1	Rear Sidemember Closing Panel LH	Bumper
OD014C	HZA4908	1	Rear Sidemember Closing Panel RH	Rubber
OD014D	HZA4909	1	Rear Sidemember Closing Panel LH	Bumper
OD015A	HZA286	1	Rebound Strap Mounting RH	Chrome
OD015B	HZA287	1	Rebound Strap Mounting LH	Bumper Only
OD016A	HZA276	1	Damper Mounting RH	
OD016B	HZA277	1	Damper Mounting LH	
OD017A	BMH9002	1	Front Spring Mounting RH	Chrome
OD017B	BMH9003	1	Front Spring Mounting LH	Bumper
OD017C	BMH9004	1	Front Spring Mounting RH	Rubber
OD017D	BMH9005	1	Front Spring Mounting LH	Bumper
OD018	HZA2154	1	Front Boot Floor Support Panel	
OD019	HZA2034	1	RH Side Boot Floor Support Panel	
OD020	HZA2035	1	LH Side Boot Floor Support Panel	
OD021	HZA2060	1	RH Rear Boot Floor Support Panel	
OD022	HZA2061	1	LH Rear Boot Floor Support Panel	
OD023	AH16716	1	Battery Access Panel	GT



Section OD. Continued

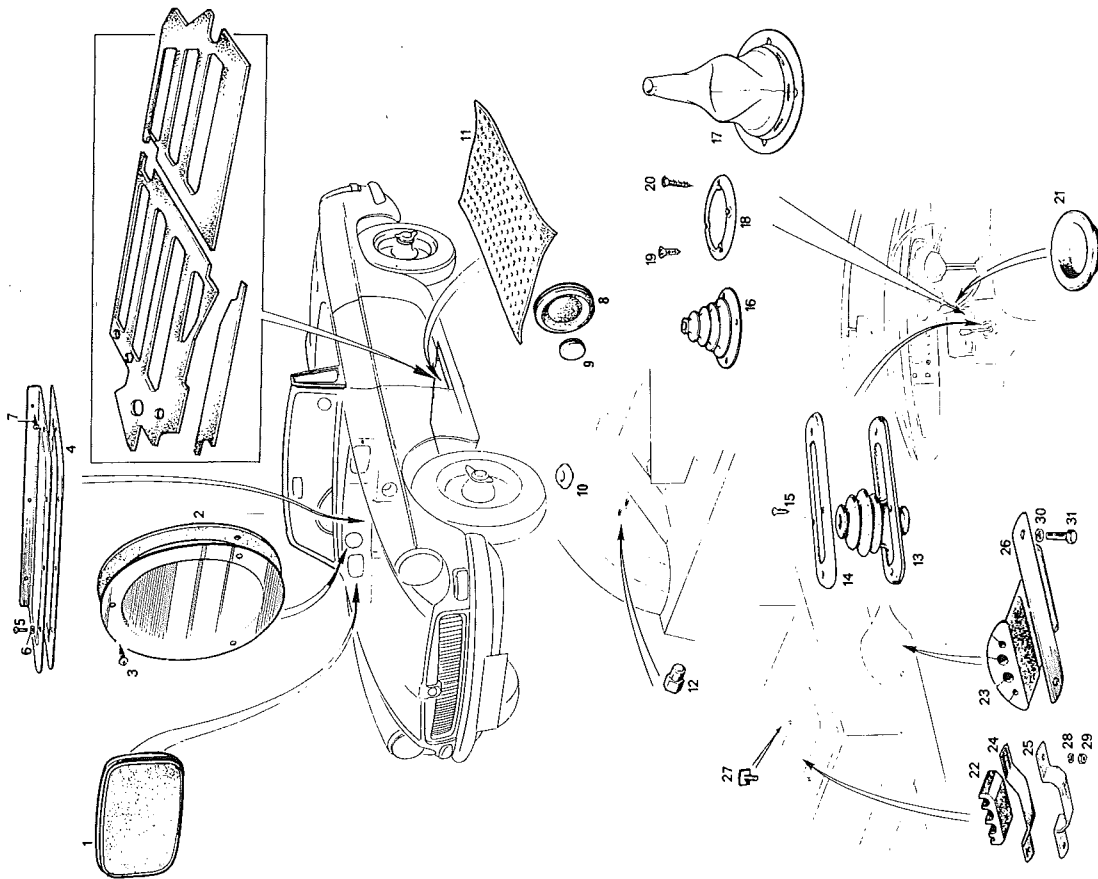
Floor Pans, Wheel Arches and Rear Chassis Members

No.	Part No.	Qty.	Description	Remarks
OD024	AHH6352	1	Sealing Rubber	Twin Battery Models Single Battery Models
OD025	HZA4935	1	Battery Access Panel	
OD026	AHH6352X	1	Sealing Rubber	
OD027	AHH7210	5	Dzus Fastener	
OD028	7H9828	5	Dzus Spring	
OD029	SH604041	11	Remote Control Cover Screw	3 Synchro Cars.
OD030	GHF331	11	Spring Washer	
OD031	AHC188	1	Cover Seal	
OD032	SE604041	3	Remote Control Cover Screw	4 Synchro
OD033	GHF331	3	Spring Washer	
OD034	HZA586	1	RH Rear 1/4 Panel	
OD035	HZA587	1	LH Rear 1/4 Panel	
OD036	AHA7553	A/R	Harness Retaining Strap Stud	
OD037A	HZA283	1	Plate Bracing Heelboard	Weld to Floor Pan
OD037B	HZA5019	1	Plate Bracing Heelboard	Chrome Bumper
OD038	HZA167	1	Cockpit Rear Bulkhead	Rubber Bumper
OD039	HZA3515	1	Rear Deck Reinforcement	
OD040	BMH9507	2	6 volt Battery Box	Chrome Bumper only



Section OE.

Grommets and Body Fittings



No.	Part No.	Qty.	Description	Remarks
OE001	14B630	2	Master Cylinder Access Grommet	
OE002	AHH6295	1	Air Box Cover Plate Seal	(Use when heater not fitted)
OE003	AB610041	4	Screw	
OE004	AHH6290K	1	Heater Cover Plate Seal	
OE005	PMZ308	5	Screw	
OE006	WL700101	5	Spring Washer	
OE007	AB610041	3	Screw	
OE008	BHA4536	1	Steer Column Blanking Plug	
OE009A	CFP375	A/R	Blanking Plug 3/8"D of hole	
OE009B	CFP625	A/R	Blanking Plug 5/8"D of hole	
OE009C	CFP750	A/R	Blanking Plug 3/4"D of hole	
OE009D	CFP1000	A/R	Blanking Plug 1"D of hole	
OE010A	RFN204	A/R	Blanking Plug 1/4"D of hole	
OE010B	RFN207	A/R	Blanking Plug 7/16"D of hole	
OE010C	RFN210	A/R	Blanking Plug 5/8"D of hole	
OE010D	RFN224	A/R	Blanking Plug 1 1/2"D of hole	
OE010E	4G9763	A/R	Blanking Plug 1 3/8"D of hole	
OE011A	CHM228	A/R	Insulation Pad	
OE011B	BMH9500	1	Floorpan Sound Deadening Kit	(Use inside doors, on 3 synchro floor etc.)
OE012	14B2885	4	Seatbelt Chrome Dome Nut	4 Synchro Only
OE013	AHH7170	1	Gear Shift Gaiter	3 Synchro Cars
OE014	AHH6486	1	Gaiter Retainer	3 Synchro Cars
OE015	AD610063	4	Screw	
OE016	BHH2049	1	Gear Shift Gaiter	4 Synchro (Up to '72)
OE017	BHH2072	1	Gear Shift Gaiter (Vinyl Covered)	('72-On)
OE018A	AHC187	1	Gaiter Retainer, Chrome	(Up to '76)
OE018B	BHH1986	1	Gaiter Retainer, Black	('76-On)
OE019	SG604083	1	Retainer Screw (Front)	
OE020	SG604103	3	Retainer Screw Side & Rear	
OE021	AHH6507	1	Gearbox Access Plug	
OE022	AHH6286	4	Service Retaining Grommet (Small)	3 Synchro Cars
OE023	AHH6284	1	Service Retaining Grommet (Large)	4 Synchro Cars
OE024	AHH6287	4	Retaining Plate	
OE025	AHC60	4	Retaining Plate, Large	
OE026	AHH6285	1	Plate Stud	
OE027	AHA7553	8	Spring Washer	
OE028	GHF331	8	Nut	
OE029	GHF200	8	Spring Washer	
OE030	GHF332	2	Spring Washer	
OE031	SH605061	2	Screw	Weld To Floor

Section OF.

Doors And Fittings
Roadster

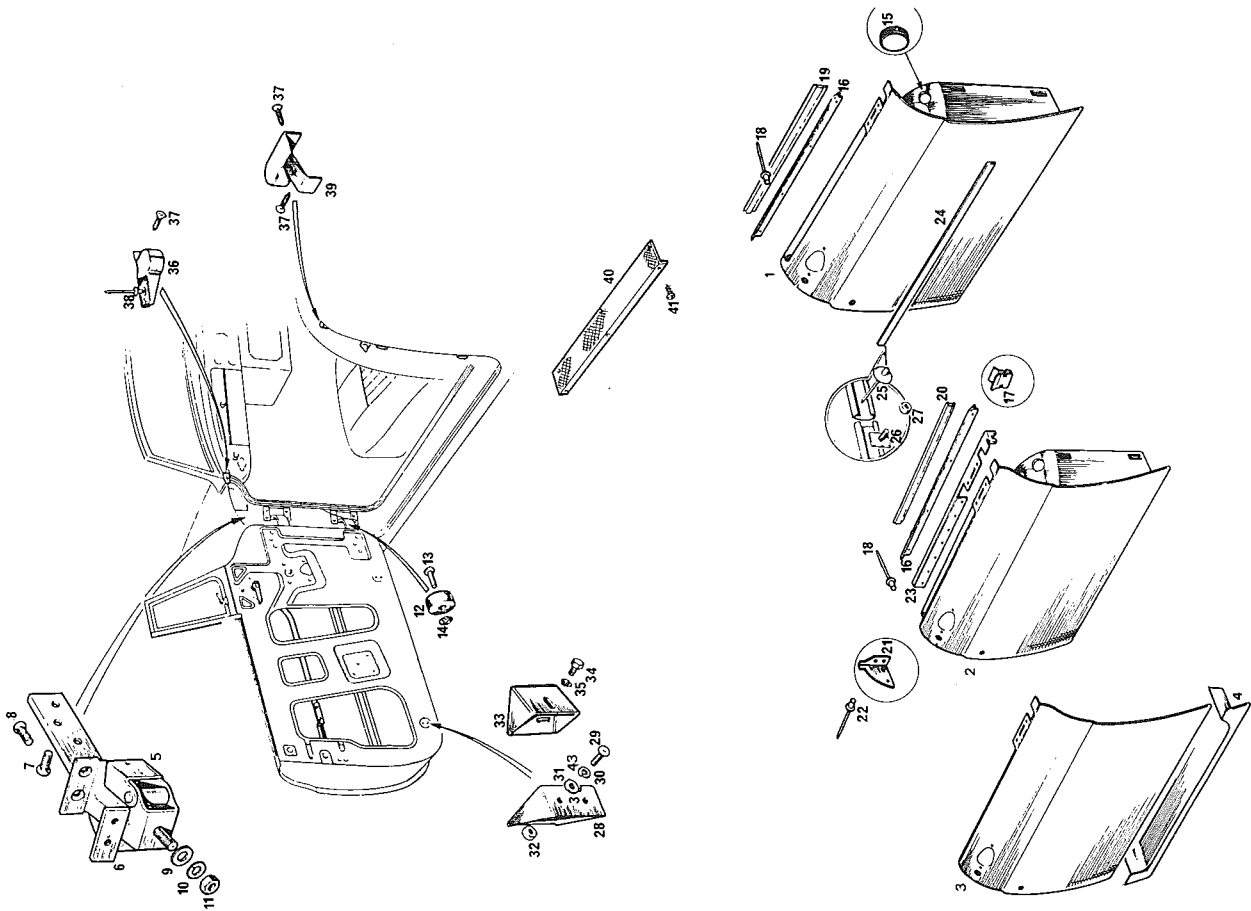
No.	Part No.	Description	Qty.	Remarks
OF001A	HZA597	RH Door Shell	1	Pull Out Exterior Handle Push Button Exterior Handle ('65-'67) '68 on
OF001B	HZA598	LH Door Shell	1	
OF001C	HZA572	RH Door Shell	1	
OF001D	HZA573	LH Door Shell	1	
OF001E	HZA508	RH Door Shell	1	
OF001F	HZA5509	LH Door Shell	1	

GT.

OF002A	HZA2226	RH Door Shell	1	('65-'67) ('68 On)
OF002B	HZA2227	LH Door Shell	1	
OF002C	HZA5514	RH Door Shell	1	
OF002D	HZA5515	LH Door Shell	1	

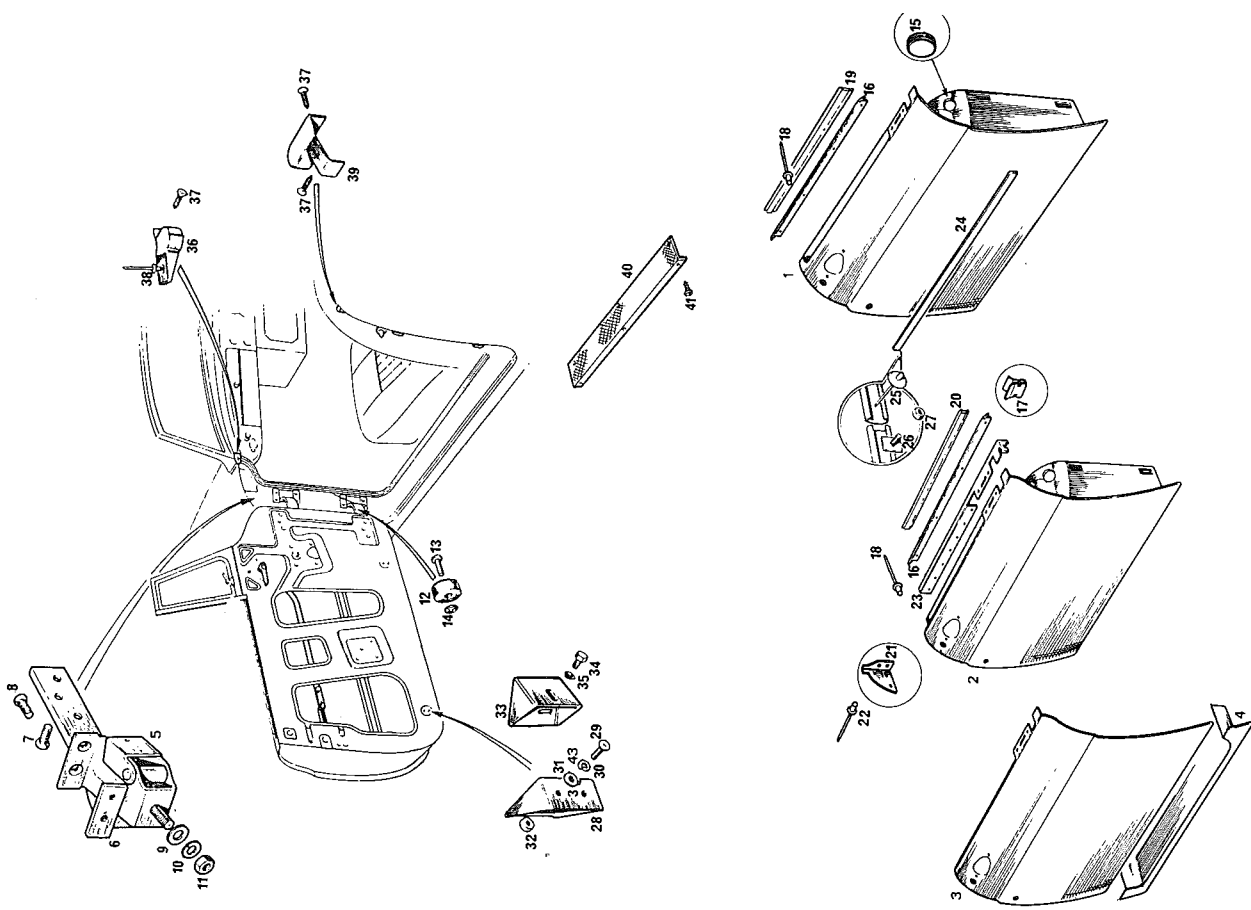
Door Fittings

OF003A	BRP13	RH Door Skin	1	Will Require Modification With Pull Type Exterior Handle and GT Models
OF003B	BRP12	LH Door Skin	1	
OF004A	BRP15	RH Door Bottom	1	Qty Reduced From Sept '76 Sept '76-On
OF004B	BRP14	LH Door Bottom	1	
OF005A	HZA5208	RH Door Hinge	2/1	Qty Reduced From Sept '76 Sept '76-On
OF005B	HZA5206	LH Door Hinge	1	
OF005C	HZA5209	RH Door Hinge Lower	2/1	Qty Reduced From Sept '76 Sept '76-On
OF005D	HZA5207	LH Door Hinge Lower	1	
OF006	HZA350	Hinge Plate	8	Up to Sept ('76)
OF007	SF605081	Hinge To Door Screw	12	
OF008	SF605061	Hinge To Body Screw	16	Up to Sept ('76)
OF009	PWZ207	Plain Washer	4	
OF010	WL600071	Spring Washer	4	Up to Sept ('76)
OF011	GHF203	Nut	4	
OF012	AHH6745	Hinge Buffer	4	Up to Sept ('76)
OF013	FRS208	Rivet	4	
OF014	BHA4366	Push On Fix	4	Up to Sept ('76)



Doors and Fittings

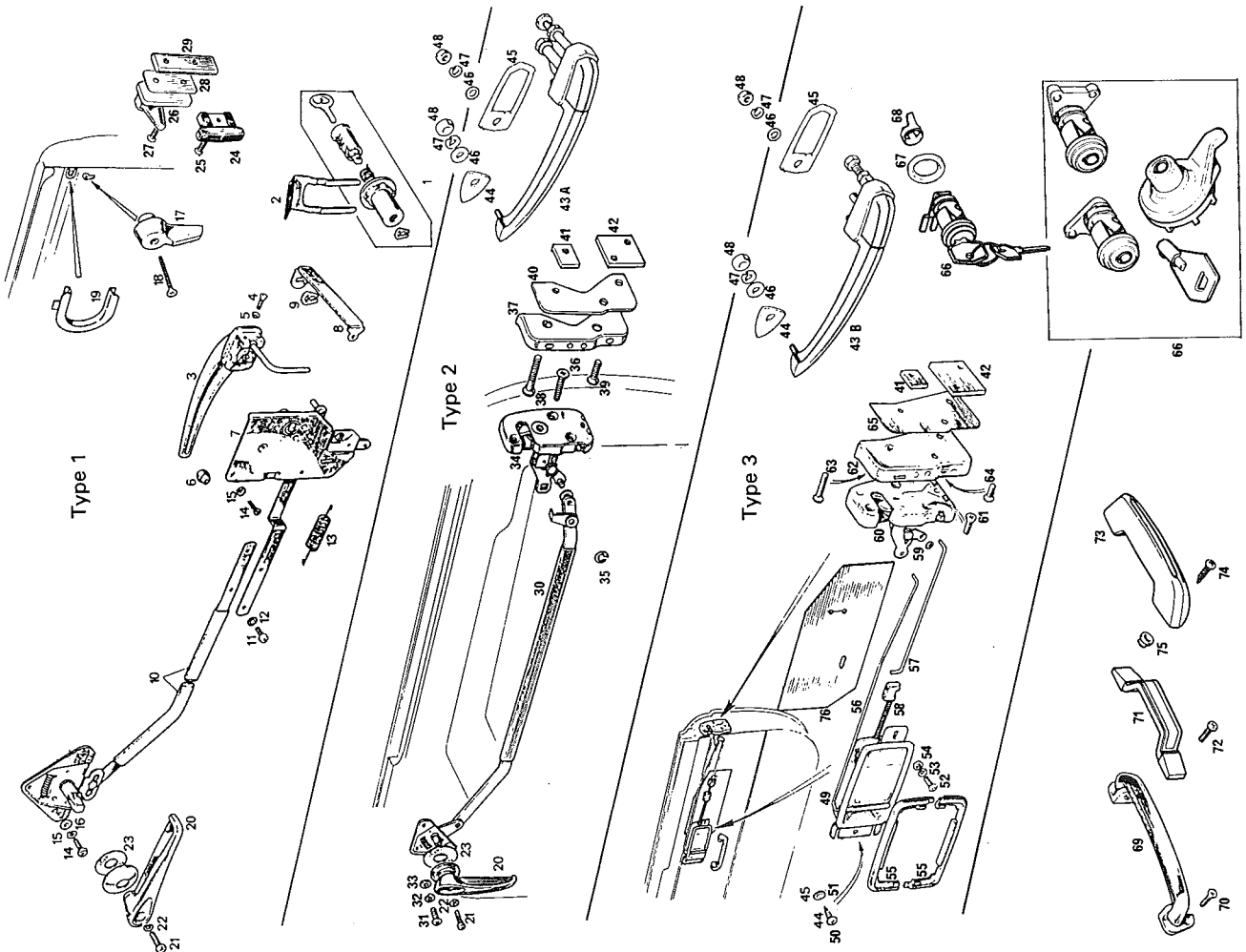
No.	Part No.	Qty.	Description	Remarks
OF015	CFP1000	4	1/4 Light Access Grommet	
OF016A	AHH6348	1	Drop Glass Seal	RH
OF016B	AHH6349	1	Drop Glass Seal	LH
OF017	GHF1560	14	Seal To Finisher Clip	GT
OF018	DMP819	14	Rivet	Seal to Door, Roadster; Seal to Finisher GT
OF019A	AHH6508	1	RH Inner Door Seal	Roadster
OF019B	AHH6509	1	LH Inner Door Seal	Roadster
OF020	AHH7848	2	Inner Door Seal	GT
OF021A	AHH7834	1	RH Door Shut Face Finisher	GT
OF021B	AHH7835	1	LH Door Shut Face Finisher	GT
OF022	RA607096	6	Finisher To Door Rivet	GT
OF023A	AHH7476	1	RH Door Top Finisher	GT
OF023B	AHH7477	1	LH Door Top Finisher	GT
OF024A	AHH6105	1	RH Waist Moulding	GT
OF024B	AHH6106	1	LH Waist Moulding	GT
OF025	GHF1435	12	Rivet And Clip	
OF026A	AHH6360	2	Stud Plate	
OF026B	WL700101	2	Spring Washer	
OF027	GHF206	1	Nut	
OF028A	HZA226	2/1	RH Channel Mounting Bracket	Up to GHN/D4 146103 Qty Reduced GT
OF028B	HZA227	2/1	LH Channel Mounting Bracket	Up to GHN/D4 146103 Qty Reduced GT
OF028C	HZA2066	1	RH Channel Mounting Bracket	Rear GT
OF028D	HZA2067	1	LH Channel Mounting Bracket	Rear GT
OF029	PMZ308	8	Screw	
OF030	WL700101	8	Spring Washer	
OF031	PWZ203	8	Plain Washer	
OF032	GHF206	8	Nut	
OF033A	HZA678	2/1	RH Channel Mounting Bracket	Qty Reduced For GT
OF033B	HZA679	2/1	LH Channel Mounting Bracket	Qty Reduced For GT
OF033C	HZA2086	1	RH Channel Mounting Bracket	Rear GT
OF033D	HZA2087	1	LH Channel Mounting Bracket	Rear GT
OF034	SH604041	4	Screw	
OF035	GHF300	4	Plain Washer	
OF036A	AHH6270	1	RH Door Seal Finisher, Front	
OF036B	AHH6271	1	LH Door Seal Finisher, Front	
OF037	CTP604	6	Finisher To Body Screw	
OF038	GHF600	2	Rivet	
OF039A	AHH6323	1	RH Door Seal Finisher, Rear	
OF039B	AHH6324	1	LH Door Seal Finisher, Rear	
OF040	AHH9887	2	Threshold Plate	
OF041	AB606021	12	Screw	1970-On



Section OG.

Door Locks, Handles and Fittings

No.	Part No.	Qty.	Description	Remarks
TYPE I. Roadster only. Up to GHN3 57985				
OG001	AHH6672C	2	Exterior Lock Assy.	
OG002	AHH6249	2	Lock Retaining Clip	
OG003A	AHH6661	1	RH Exterior Handle	
OG003B	AHH6662	1	LH Exterior Handle	
OG004	CMZ310	4	Handle To Door Screw	
OG005	AAA835	4	Cup Washer	
OG006	ADA1764	2	Handle Buffer	
OG007A	AHH6668	1	RH Interior Lock	
OG007B	AHH6669	1	LH Interior Lock	
OG008	AHH6675	2	Operating Link	
OG009	AHH6676	4	Clip	
OG010A	AHH6666	1	RH Lock Remote Control	
OG010B	AHH6667	1	LH Lock Remote Control	
OG011	PMZ306	4	Remote Control To Lock Screw	
OG012	WF702101	4	Spring Washer	
OG013	AHH6670	2	Link Tension Spring	
OG014	PMZ308	14	Remote And Lock To Door Screw	
OG015	WL700101	14	Spring Washer	
OG016	PWZ203	14	Plain Washer	
OG017	AHH6513	1	Inside Locking Knob	
OG018	RMP212	1	Screw	
OG019	AHH6547	2	Lock Finisher	
OG020	JPC8387PA	2	Interior Handle	
OG021	54K205	2	Screw	
OG022	WL700101	2	Lock Washer	
OG023	ADA5669	2	Gasket	
OG024	AHH6273	4	Door Buffer	
OG025	RMZ308	4	Screw	
OG026	AFH1684	2	Striker Plate	
OG027	SF604121	4	Striker to B Post Screw	
OG028	14A4673	A/R	Packing Plate	
OG029	HZA368	2	Tapping Plate	
OG069	GLZ118	2	Door Pull Handle	
OG070	RMP310	4	Screw	



Section OG.

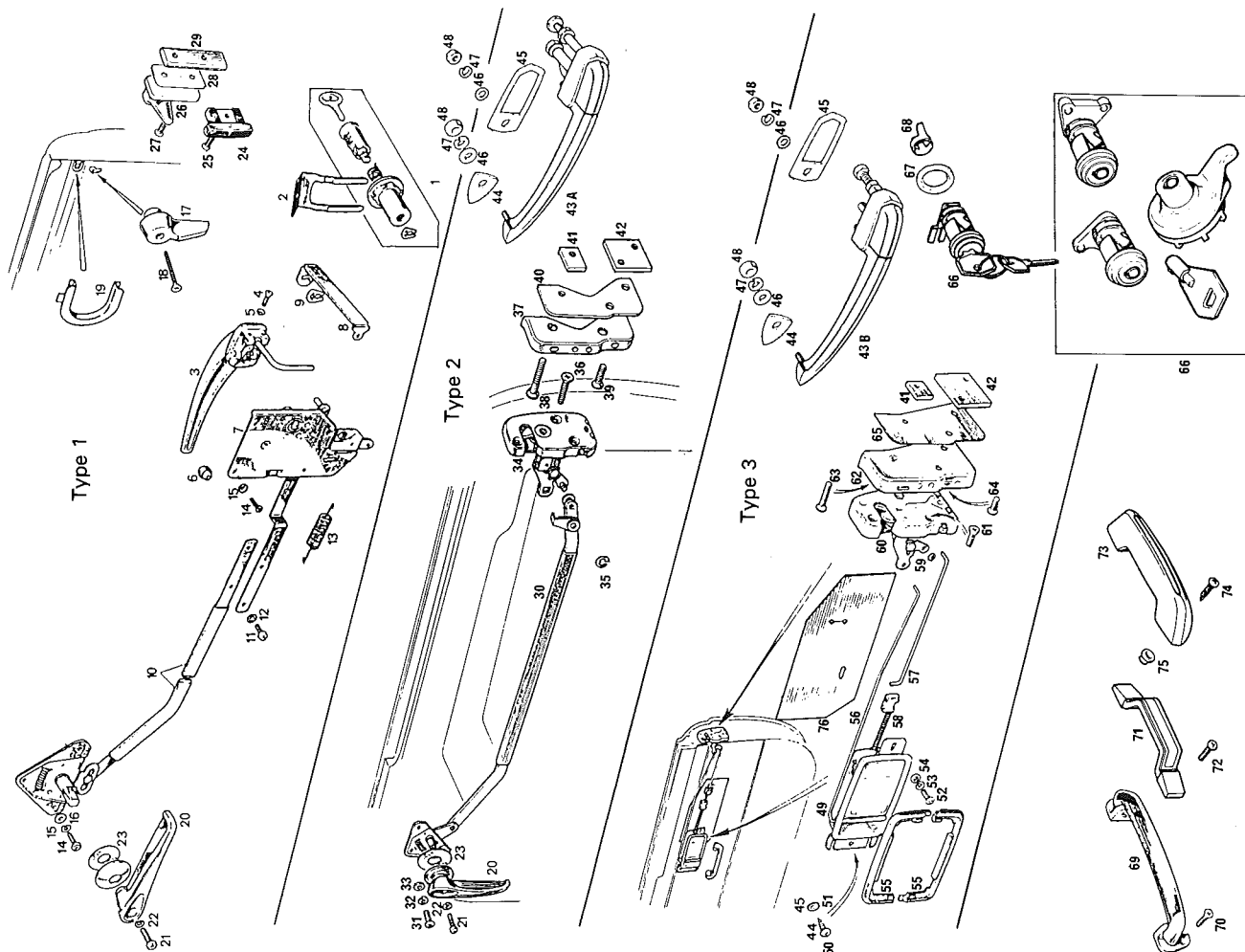
Door Locks, Handles and Fittings

Remarks

No. Part No. Qty. Description

TYPE II. Roadster and GT GHN/D3 57986 to GHN4 138400, GHD4 138400.

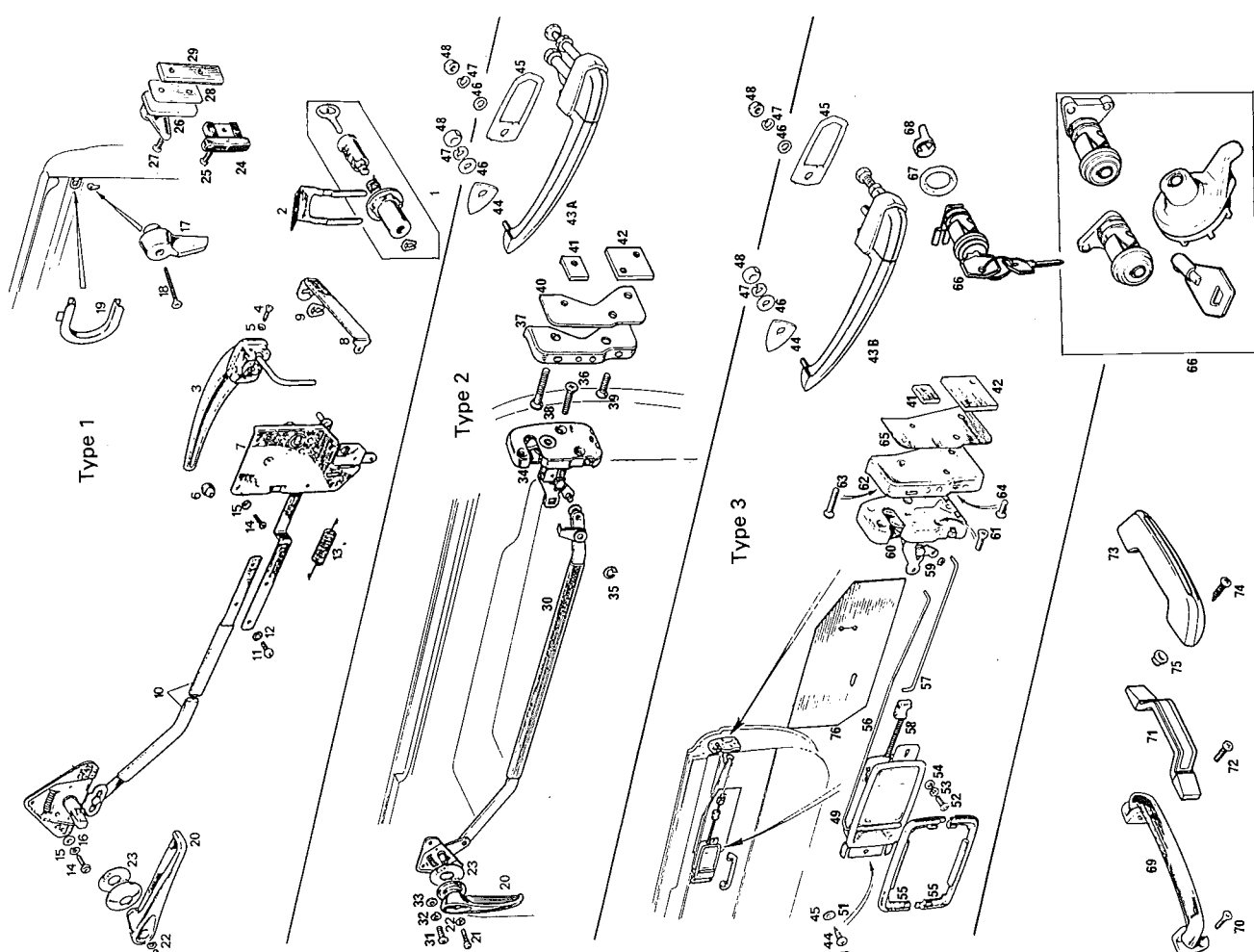
OG020	JPC8387PA	2	Interior Handle	
OG021	54K205	2	Screw	
OG022	WL700101	2	Lock Washer	
OG023	ADA5669	2	Gasket	
OG030A	AHH7484	1	RH Lock Remote Control	
OG030B	AHH7485	1	LH Lock Remote Control	
OG031	PMZ308	6	Remote Control To Door Screw	
OG032	WL700101	6	Spring Washer	
OG033	GHF306	6	Plain Washer	
OG034A	AHH7451	1	RH Interior Lock	
OG034B	AHH7452	1	LH Interior Lock	
OG035	13H2023	2	Spring Clip	
OG036	SF604081	6	Lock To Door Screw	
OG037A	AHA7035	1	RH Striker	Roadster
OG037B	AHA7036	1	LH Striker	Roadster
OG037C	AHH7758	1	RH Striker	GT
OG037D	AHH7759	1	LH Striker	GT
OG038	AHH9239	2	Striker To B Post Screw	Long
OG039	SF604101	4	Striker To B Post Screw	Short
OG040A	BHH342	A/R	Shim 0.032"	
OG040B	BHH341	A/R	Shim 0.064"	
OG041	AHA7085	2	Upper Tapping Plate	
OG042	AHH8589	2	Lower Tapping Plate	
OG043A	712837	2	Exterior Handle	
OG044	617402	2	Handle to Door Gasket	Front
OG045	617403	2	Handle to Door Gasket	Rear
OG046	GHF306	4	Plain Washer	
OG047	WL700101	4	Spring Washer	
OG048	GHF206	4	Nut	
OG066A	BHH972	1	Private Lock RH	Inc Boot Lock
OG066B	BHH973	1	Private Lock LH	Inc Barrel for Boot Lock
OG066C	BHH973P	1	Lock Pair	
OG066D	BHH973S	1	Lock Pair, Security	
OG066E	AHH6179C	1	Set of Three Locks	
OG066F	AHH6179S	1	Set of Three Locks, Security	
OG067	BHH972G	2	Lock Gasket	
OG068	37H3387	2	Lock Clip	
OG069	GLZ118	2	Door Pull Handle	
OG070	RMP310	4	Screw	



Section OG. Continued.

Door Locks, Handles and Fittings

No.	Part No.	Qty.	Description	Remarks
TYPE III. Roadster and GT GHN/D4 138401 On				
OG041	AHA7085	1	Upper Tapping Plate	
OG042	AHH8589	1	Lower Tapping Plate	
OG043B	AHH8885	2	Exterior Handle	Push Button
OG044	617402	2	Handle To Door Gasket	Front
OG045	617403	2	Handle To Door Gasket	Rear
OG046	GHF306	4	Plain Washer	
OG047	WL700101	4	Spring Washer	
OG048	GHF206	4	Nut	
OG049A	CZK3792	1	RH Remote Control	
OG049B	CZK3793	1	LH Remote Control	
OG050	GHF425	2	Screw	
OG051	WF702101	2	Spring Washer	
OG052	PMZ308	6	Remote Control To Door Screw	
OG053	WL700101	6	Shakeproof Washer	
OG054	GHF306	6	Plain Washer	
OG055	CZA2259	4	Remote Control Bezel	
OG056A	AHH8816	4	RH Locking Link	
OG056B	AHH8817	1	LH Locking Link	
OG057A	AHH8818	1	RH Operating Link	
OG057B	AHH8819	1	LH Operating Link	
OG058	37H3539	2	Connector	
OG059	BHA4705	4	Link To Lock Clip	
OG060A	AHH9254	1	RH Interior Lock	
OG060B	AHH9255	1	LH Interior Lock	
OG061	SF604141	6	Lock To Door Screw	
OG062A	CZA3310	1	RH Striker	Roadster
OG062B	CZA3311	1	LH Striker	Roadster
OG062C	AHH8940	1	RH Striker	GT
OG062D	AHH8941	1	LH Striker	GT
OG063	AHH9239	2	Striker To B Post Screw	Long
OG064	SF604051	4	Striker To B Post Screw	Short
OG065A	BHH342	A/R	Shim 0.032"	
OG065B	BHH341	A/R	Shim 0.064"	
OG066A	BHH972	1	RH Private Lock	With matching keys
OG066B	BHH973	1	LH Private Lock	
OG066C	BHH973P	1	Lock Pair, Security	
OG066D	BHH973S	1	Lock Pair, Security	
OG066E	AHH6179C	1	3 Piece Lock Set	Includes boot lock
OG066F	AHH6179S	1	Set of 3 Locks - Security Barrels	Includes Barrel for Boot Lock
OG067	BHH972G	2	Lock Gasket	Supplied with lock
OG068	37H3387	2	Lock Clip	Up to ('72)
OG069	GLZ118	2	Door Pull Handle	
OG070	RMP310	4	Handle To Door Screw	
OG071A	RGK6476	2	Door Pull Handle, Autumn Leaf	('72 Only)
OG071B	RGK6476	2	Door Pull Handle, Navy	('72 Only)
OG071C	RGK6476	2	Door Pull Handle, Black	Not Original Fitment - may replace 73A & 73D
OG071D	RGK6476	2	Door Pull Handle, Ochre	
OG072	RMP308	4	Screw	
OG073A	X2A1500	2	Arm Rest, Black	('74-On)
OG073B	X2N1500	2	Arm Rest, Autumn Leaf	('74-76)
OG073C	X2N1500	2	Arm Rest, Navy	('73 Only)
OG073D	X2T1500	2	Arm Rest, Yellow Ochre	('73 Only)
OG074	GHF431	4	Self Tapping Screw	
OG075	GHF1027	4	Plastic Nut	
OG076	BHH901	2	Remote Control Dust Seal	



Section OH.

93 485 13 24

Front 1/4 Lights & Dropglasses

No.	Part No.	Qty	Description	Remarks
-----	----------	-----	-------------	---------

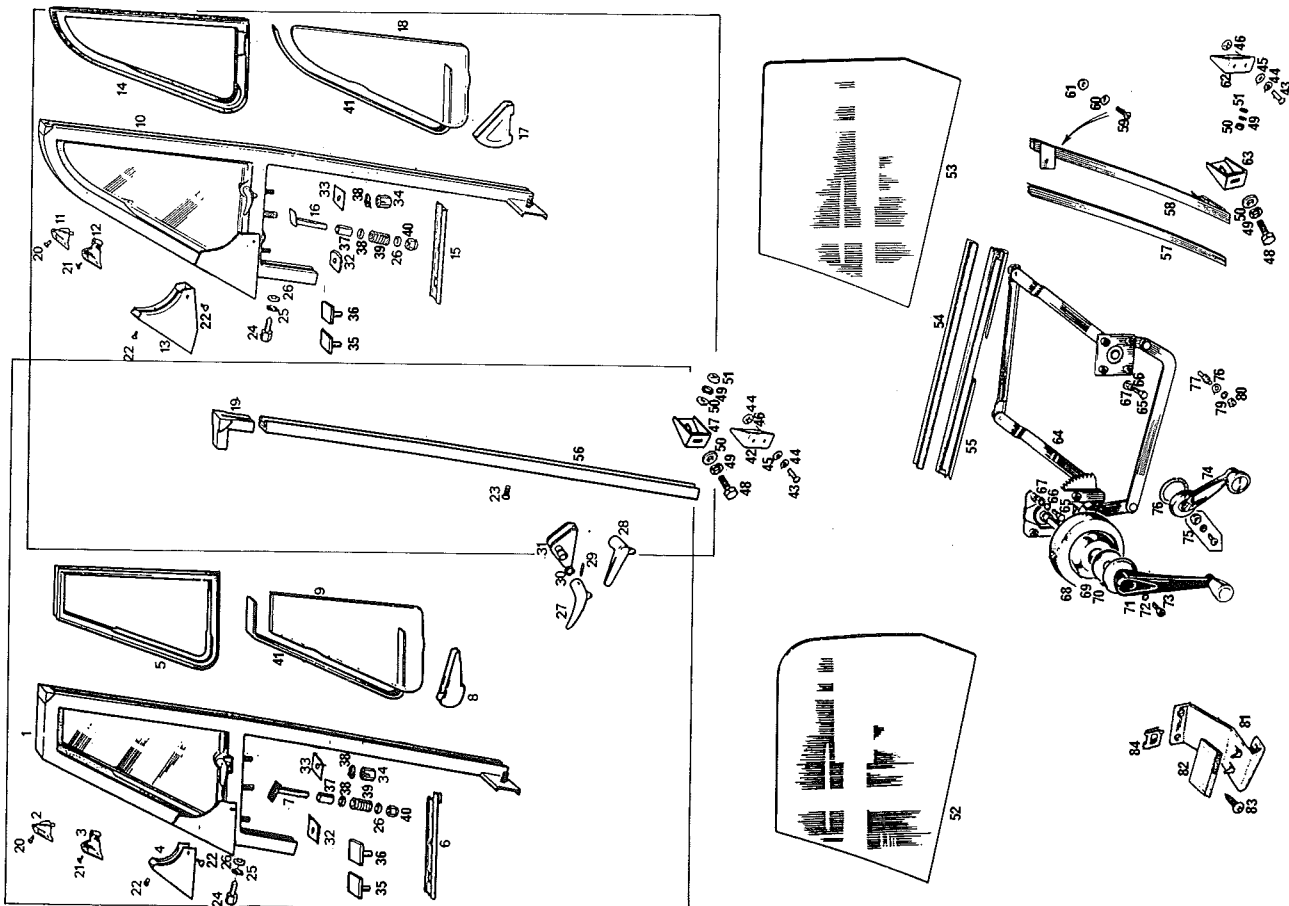
Please note — the 1963-64 1/4 light assemblies (18G8472/3) (identified by not having the short vertical locating bracket at the front) are not available.

ROADSTER MODELS

OH001A	18G8476	1	RH 1/4 Light Assembly Chrome	Curved Handle Up to 1969 Curved Handle Up to 1969 Flat Handle '69-'73 Flat Handle '69-'73 Flat Handle '73 On Flat Handle '73 On
OH001B	18G8477	1	LH 1/4 Light Assembly Chrome	
OH001C	18G8480	1	RH 1/4 Light Assembly Chrome	
OH001D	18G8481	1	LH 1/4 Light Assembly Chrome	
OH001E	BHH706	1	RH 1/4 Light Assembly Stainless	
OH001F	BHH707	1	LH 1/4 Light Assembly Stainless	
OH002A	17H2509	1	RH Top Pivot	For Chrome 1/4 Lights For Stainless 1/4 Lights
OH002B	17H2510	1	LH Top Pivot	
OH003A	17H2498	1	RH Lower Pivot	Use With 1/4 Lights With Curved Handle
OH003B	17H2499	1	LH Lower Pivot	
OH003C	BHH708	1	RH Lower Pivot	
OH003D	BHH709	1	LH Lower Pivot	
OH004A	27H4898	1	RH Capping	
OH004B	27H4899	1	LH Capping	
OH005A	17H2505	1	RH Sealing Rubber	
OH005B	17H2506	1	LH Sealing Rubber	
OH006A	AHH7478	1	RH Frame To Door Seal	
OH006B	AHH7479	1	LH Frame To Door Seal	
OH007A	17H2512	2	Bottom Pivot Pin	Use With 1/4 Light With Curved Handle Use With 1/4 Light With Curved Handle Use With 1/4 Light With Flat Handle
OH007B	BHH717	2	Bottom Pivot Pin	
OH008A	17H2515	1	RH Drain Channel	
OH008B	17H2516	1	LH Drain Channel	
OH009A	BHH704	1	RH Glass	
OH009B	BHH705	1	LH Glass	
OH010A	18G8474	1	RH 1/4 Light Assembly Chrome	
OH010B	18G8475	1	LH 1/4 Light Assembly Chrome	
OH010C	18G8482	1	RH 1/4 Light Assembly Chrome	
OH010D	18G8483	1	LH 1/4 Light Assembly Chrome	
OH010E	BHH756	1	RH 1/4 Light Assembly Stainless	
OH010F	BHH757	1	LH 1/4 Light Assembly Stainless	
OH010G	BHH760	1	RH 1/4 Light Assembly Stainless	
OH010H	BHH761	1	LH 1/4 Light Assembly Stainless	
OH011A	AHH7694	1	RH Top Pivot	Use With 1/4 Light With Curved Handle Use With 1/4 Light With Curved Handle Use With 1/4 Light With Flat Handle
OH011B	AHH7695	1	LH Top Pivot	
OH012A	AHH7696	1	RH Lower Pivot	
OH012B	AHH7697	1	LH Lower Pivot	
OH012C	BHH775	1	RH Lower Pivot	
OH012D	BHH776	1	LH Lower Pivot	
OH013A	AHH7692	1	RH Capping	
OH013B	AHH7693	1	LH Capping	
OH014A	AHH7435	1	RH Sealing Rubber	
OH014B	AHH7436	1	LH Sealing Rubber	
OH015	AHH7529	2	Frame To Door Seal	Use With 1/4 Light With Curved Handle Use With 1/4 Light With Flat Handle
OH016A	AHH7691	2	Bottom Pivot	
OH016B	BHH716	2	Bottom Pivot	

GT MODELS

OH010A	18G8474	1	RH 1/4 Light Assembly Chrome	Use With 1/4 Light With Curved Handle Use With 1/4 Light With Curved Handle Use With 1/4 Light With Flat Handle
OH010B	18G8475	1	LH 1/4 Light Assembly Chrome	
OH010C	18G8482	1	RH 1/4 Light Assembly Chrome	
OH010D	18G8483	1	LH 1/4 Light Assembly Chrome	
OH010E	BHH756	1	RH 1/4 Light Assembly Stainless	
OH010F	BHH757	1	LH 1/4 Light Assembly Stainless	
OH010G	BHH760	1	RH 1/4 Light Assembly Stainless	
OH010H	BHH761	1	LH 1/4 Light Assembly Stainless	
OH011A	AHH7694	1	RH Top Pivot	
OH011B	AHH7695	1	LH Top Pivot	
OH012A	AHH7696	1	RH Lower Pivot	Use With 1/4 Light With Curved Handle Use With 1/4 Light With Curved Handle Use With 1/4 Light With Flat Handle
OH012B	AHH7697	1	LH Lower Pivot	
OH012C	BHH775	1	RH Lower Pivot	
OH012D	BHH776	1	LH Lower Pivot	
OH013A	AHH7692	1	RH Capping	
OH013B	AHH7693	1	LH Capping	
OH014A	AHH7435	1	RH Sealing Rubber	
OH014B	AHH7436	1	LH Sealing Rubber	
OH015	AHH7529	2	Frame To Door Seal	
OH016A	AHH7691	2	Bottom Pivot	
OH016B	BHH716	2	Bottom Pivot	



Section OH. Continued.

Front 1/4 Lights & Droplights

Front 1/4 Lights & Droplights

Front 1/4 Lights & Droplights

Front 1/4 Lights & Droplights

Front 1/4 Lights & Droplights

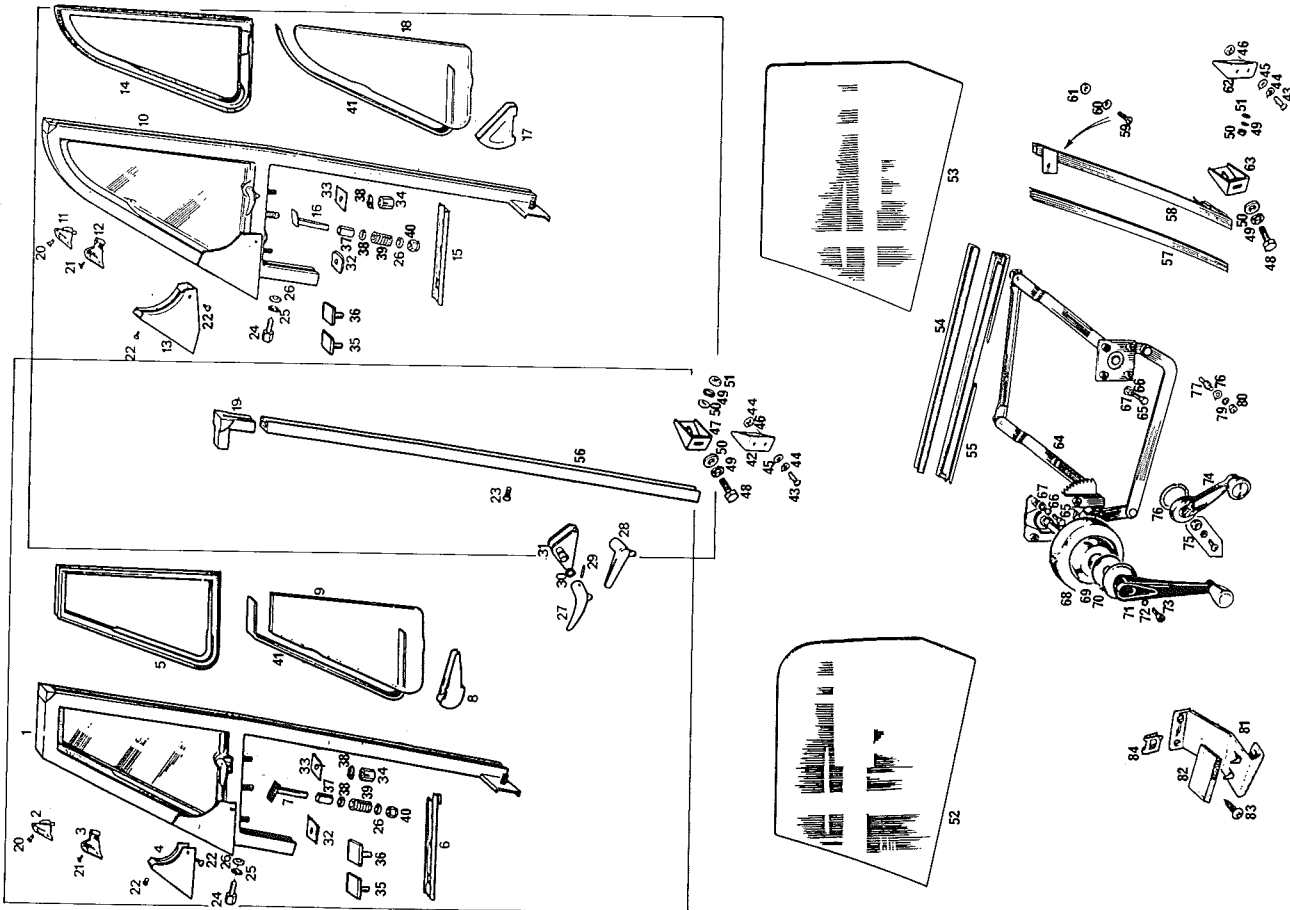
Front 1/4 Lights & Droplights

Front 1/4 Lights & Droplights

No.	Part No.	Qty	Description	Remarks	No.	Part No.	Qty	Description	Remarks
OH017A	27H6885	1	RH Drain Channel		OH048	SH604041	2	Screw	
OH017B	27H6886	1	LH Drain Channel		OH049	GHF331	2	Spring Washer	
OH018A	AHH7686	1	RH Glass	Clear	OH050	GHF300	2	Plain Washer	
OH018B	AHH7687	1	LH Glass	Clear	OH051	GHF200	2	Nut	Roadster
OH018C	BHH758	1	RH Glass	Tinted	OH052A	AHH6380	1	RH Door Glass	Roadster
OH018D	BHH759	1	LH Glass	Tinted	OH052B	AHH6381	1	LH Door Glass	Roadster
OH019A	17H2530	2	Corner Block	Chrome Frame ('62-'69)	OH053A	AHH7415	1	RH Door Glass	Clear GT
OH019B	AHH8935	2	Corner Block	Chrome Frame ('69-'73)	OH053B	BHH311	1	RH Door Glass	Tinted GT
OH019C	AHA9986	2	Corner Block	Stainless Frame ('73 On)	OH053C	AHH7416	1	LH Door Glass	Clear GT
OH020	AHA9999	A/R	Rivet		OH053D	BHH312	1	LH Door Glass	Tinted GT
OH021	17H2500	4	Screw		OH054	37H4297	A/R	Glazing Rubber	20" Long
OH022	17H9935	6	Screw		OH055	AHH8721	2	Lower Channel	
OH023	17H2497	4	Frame Screw		OH056	AHH7448	2	Front Flexible Channel	
OH024	AHH7520	4	Ventilator Foot Screw		OH057	AHH8405	2	Rear Flexible Channel	
OH025	LWZ305	4	Spring Washer		OH058A	AHH8403	1	RH Rear Channel	
OH026	PWZ305	4	Plain Washer		OH058B	AHH8404	1	LH Rear Channel	
OH027A	AFH6532	1	RH Locking Handle	Curved, Up to GHN/D3 138400	OH059	SE604031	2	Screw	
OH027B	AFH6533	1	LH Locking Handle	Curved, Up to GHN/D3 138400	OH060	GHF331	2	Spring Washer	
OH028A	AHA8446	1	RH Locking Handle	Flat, From GHN/D4 138401	OH061	GHF300	2	Plain Washer	
OH028B	AHA8447	1	LH Locking Handle	Flat, From GHN/D4 138401	Front 1/4 Lights & Droplights				
OH029	AHA7474	2	Pin		OH062A	HZA226	1	RH Rear Channel Mounting Bracket	2 Screw Fitting Roadster
OH030	AHA7473	2	Anti Rattle Washer		OH062B	HZA227	1	LH Rear Channel Mounting Bracket	2 Screw Fitting Roadster
OH031A	17H2513	2	Handle Bracket	Use With Curved Handle	OH062C	HZA2066	1	RH Rear Channel Mounting Bracket	2 Screw Fitting GT
OH031B	37H2975	2	Handle Bracket	Use With Flat Handle	OH062D	HZA2067	1	LH Rear Channel Mounting Bracket	2 Screw Fitting GT
OH032	AHH7544	2	Front Reinforcement		OH063A	HZA678	1	RH Rear Channel Mounting Bracket	Single Screw Fitting Roadster
OH033	AHH7514	2	Rear Reinforcement		OH063B	HZA679	1	LH Rear Channel Mounting Bracket	Single Screw Fitting Roadster
OH034	AHH6343	4	Nut		OH063C	HZA2086	1	RH Rear Channel Mounting Bracket	Single Fitting Screw GT
OH035	AHH6343XF	2	Stud Plate Replacement, Front		OH063D	HZA2087	1	LH Rear Channel Mounting Bracket	Single Fitting Screw GT
OH036	AHH6343XR	2	Stud Plate Replacement, Rear		OH064A	HZA360	1	RH Regulator	Pull Out Exterior Handle
OH037A	17H2518	2	Distance Piece	Roadster	OH064B	HZA361	1	LH Regulator	Pull Out Exterior Handle
OH037B	27H6875	2	Distance Piece	GT	OH064C	HZA2118	1	RH Regulator	Push Type Exterior Handle
OH038	PWZ204	4	Plain Washer		OH064D	HZA2119	1	LH Regulator	3 Synchro Cars
OH039	AHA7544	2	Spring		OH064E	HZA664	1	RH Regulator	Push Type Exterior Handle
OH040	GHF221	2	Locknut		OH064F	HZA665	1	LH Regulator	4 Synchro Cars
OH041	AHA7486M	2	Glazing Rubber		OH065	SH604041	16	Regulator To Door Stop Screw	
OH042A	HZA226	2	RH Front Channel Mounting Bracket	2 Screw Fitting					
OH042B	HZA227	2	LH Front Channel Mounting Bracket	2 Screw Fitting					
OH043	PMZ308	4	Screw						
OH044	WL700101	4	Spring Washer						
OH045	GHF306	4	Plain Washer						
OH046	GHF206	4	Nut						
OH047A	HZA678	2	RH Front Channel Mounting Bracket	Single Screw Fitting					
OH047B	HZA679	2	LH Front Channel Mounting Bracket	Single Screw Fitting					

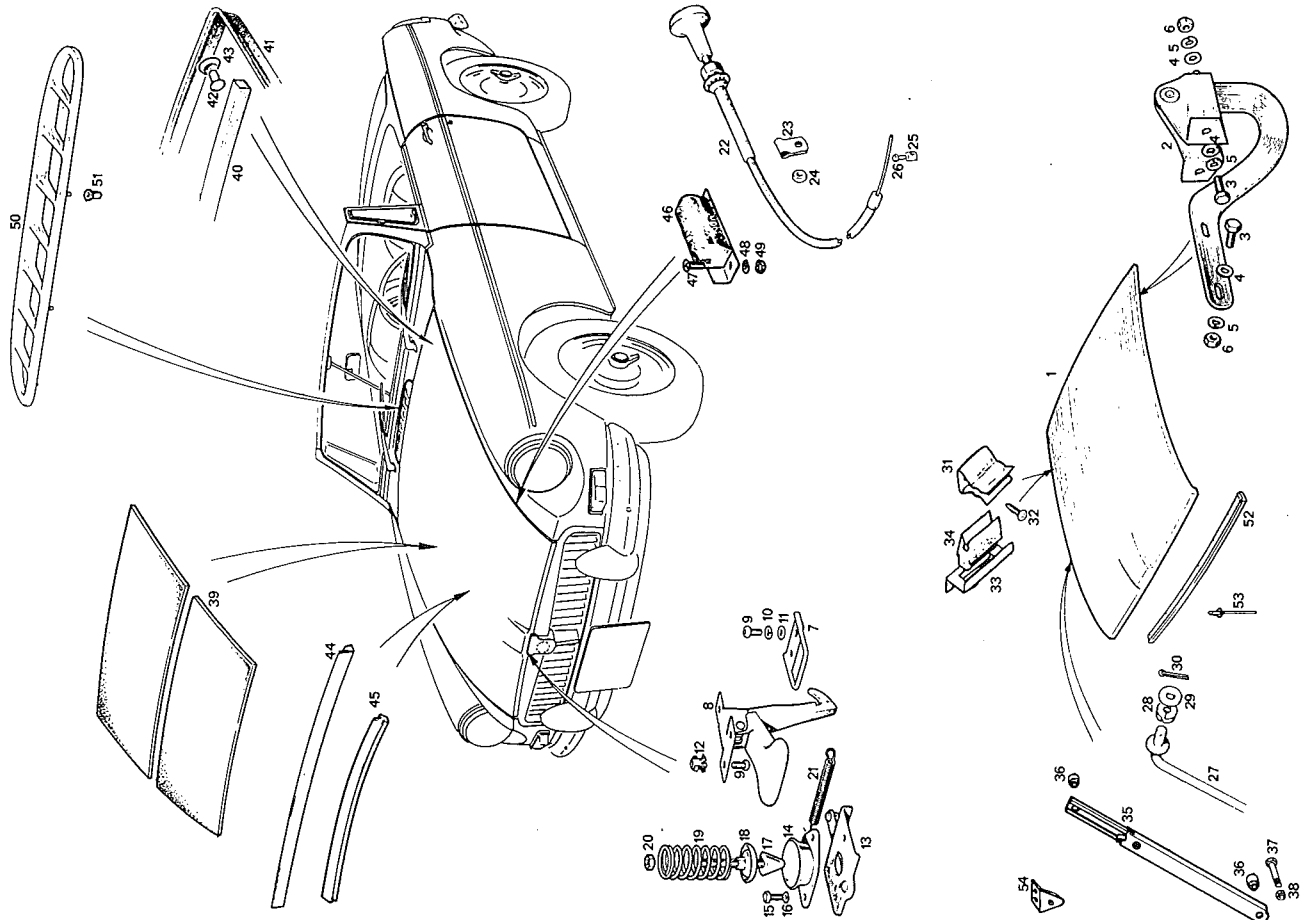
Section OH. Continued.

No.	Part No.	Qty	Description	Remarks
Front 1/4 Lights & Dropglasses				
OH066	GHF331	16	Spring Washer	
OH067	PWZ204	16	Plain Washer	
OH068	AHH6337	2	Handle Pad	3 Synchro Cars
OH069	AHH6336	2	Handle Escutcheon	3 Synchro Cars
OH070	ADA5669	2	Gasket	
OH071	34G2528	2	Regulator Handle	3 Synchro Cars
OH072	WL700101	2	Spring Washer	
OH073	ADH834	2	Screw	
OH074	CZA7109	2	Regulator Handle	4 Synchro Cars
OH075A	PMP308	2	Chromed Screw	'68-'74
OH075B	WL700101	2	Spring Washer	
OH075C	CZA2367	2	Escutcheon	
OH075D	ZKC3317	2	Screw & Washer	
OH076	CZA2279	3	Fibre Washer	'74 On; replaces 75A-C
OH077	AHH7560	2	Regulator Stop	
OH078	PWZ205	2	Plain Washer	
OH079	GHF331	2	Spring Washer	
OH080	GHF201	2	Nut	
OH081A	AHH7550	1	RH Glass Stop Bracket	
OH081B	AHH7551	1	LH Glass Stop Bracket	
OH082	AHH6434	2	Glass Stop Buffer	
OH083	AB610041	8	Screw	
OH084	GHF712	8	Spire Clip	



Section OI.

Bonnet, Seals And Fittings

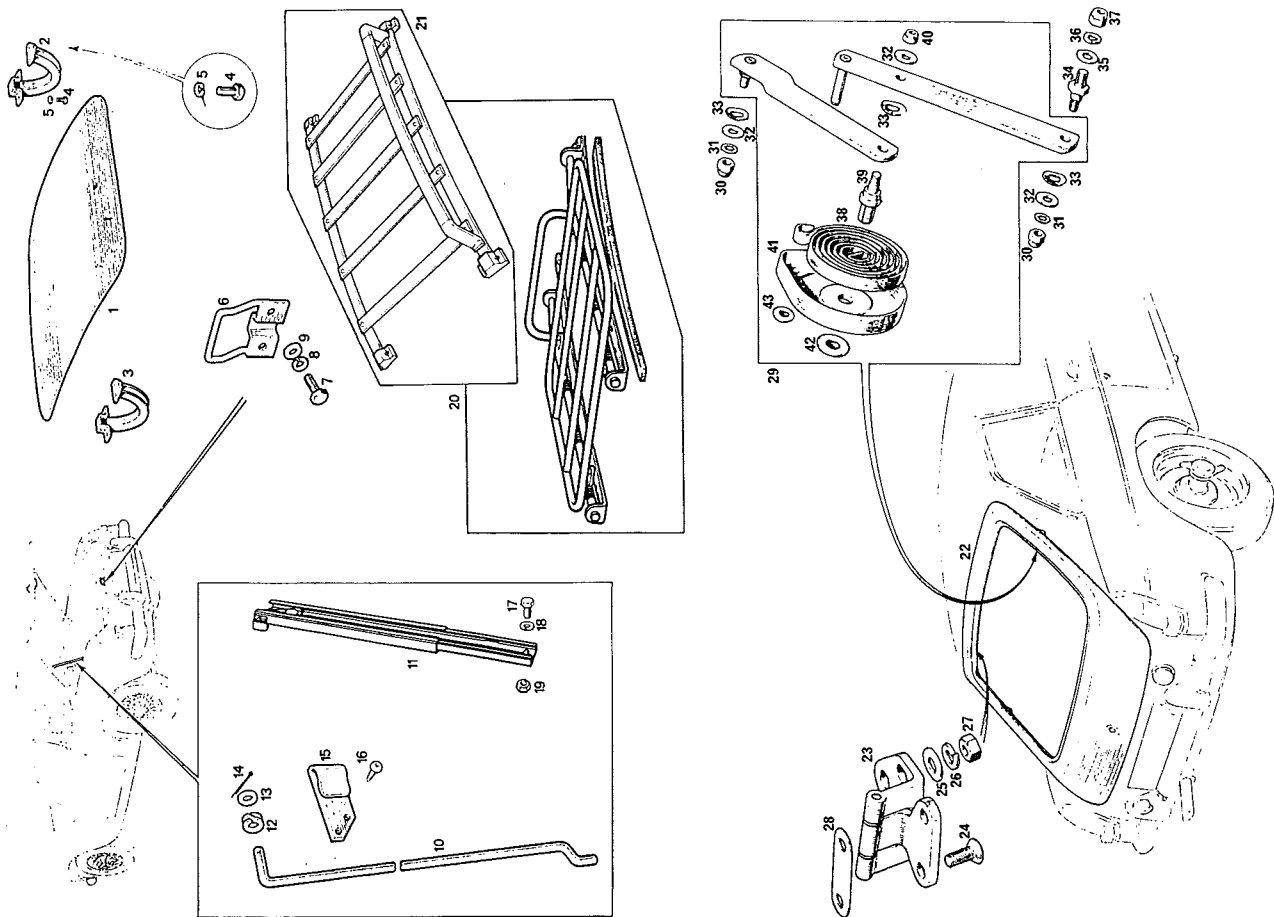


No.	Part No.	Qty.	Description	Remarks
OI001	HZA4014	1	Bonnet	Steel
OI002	HZA364	2	Hinge	
OI003	GHF117	8	Hinge To Panel And Body Screw	
OI004	GHF301	10	Plain Washer	
OI005	GHF331	10	Spring Washer	
OI006	GHF200	6	Nut	
OI007	AHA5617	1	Safety Catch Bracket	
OI008	HZA332	1	Safety Catch	
OI009	PMZ308	5	Screw	
OI010	WL700101	5	Spring Washer	
OI011	GHF306	5	Plain Washer	
OI012	BHA4338	3	Captive Nut	
OI013	4G3035	1	Catch Plate	
OI014	AHA5543	1	Locating Cup	
OI015	SH604041	3	Screw	
OI016	GHF331	3	Spring Washer	
OI017	14G2444	1	Lock Pin	
OI018	4G3676	1	Thimble	
OI019	HZA563	1	Spring	
OI020	GHF203	1	Lock Nut	
OI021	4G2494	1	Catch Plate Return Spring	
OI022A	AHH6426B	1	Bonnet Release Cable	Round Knob
OI022B	AHH6426	1	Bonnet Release Cable	T.Handle
OI023	PCR311	3	Bonnet Release Cable	
OI024	NT605041	2	Nut	
OI025	24G1052	1	Trunnion	
OI026	53K1016	1	Screw	Up to 1971
OI027	AHH7380	1	Bonnet Prop Rod	
OI028	AJD7731	1	Spring Washer	
OI029	GHF301	1	Plain Washer	
OI030	GHF501	1	Split Pin	
OI031	AHH5460	1	Rod Retaining Clip	
OI032	GHF425	2	Screw	
OI033	AHH7091	1	Bracket	
OI034	2H9215	1	Rubber	1971 On
OI035	AHA9717	1	Telescopic Bonnet Prop	
OI036	BHH298	2	Support Spacer	
OI037	GHF101	2	Screw	
OI038	GHF221	2	Lock Nut	
OI039	BHH925C	1	Insulating Pads	
OI040	BHH2270	1	Rear Channel Seal	
OI041	BHH209	1	Rear Lip Seal	
OI042	KXR416	4	Bonnet Seal Rivet	Used With Early Bonnet Seal (no longer available). Use Alternative BHH209 Seal Without Rivets
OI043	FWP906	4	Cup Washer	
OI044	AHH7205	1	Radiator Diaphragm Seal	
OI045	AHH8887	1	Radiator To Diaphragm Foam Seal	GHN/D4 1384001 On Up to GHN/D5 410000
OI046	AHH6523	4	Buffer	
OI047	PMZ306	8	Screw	
OI048	WL700101	8	Spring Washer	
OI049	GHF206	8	Nut	
OI050	AHH6102	1	Air Intake Grille	
OI051	GHF1531	6	Push On Fix	
OI052	AHH9888	1	Front Moulding	Only Use With Recessed Grille GHN5. 187841 to 296000, GHD5 187211 to 294250.
OI053	RA607096	7	Rivet	
OI054	BHH1934	1	Prop Mounting Bracket	

Section OJ.

Boot Lid & Tailgate

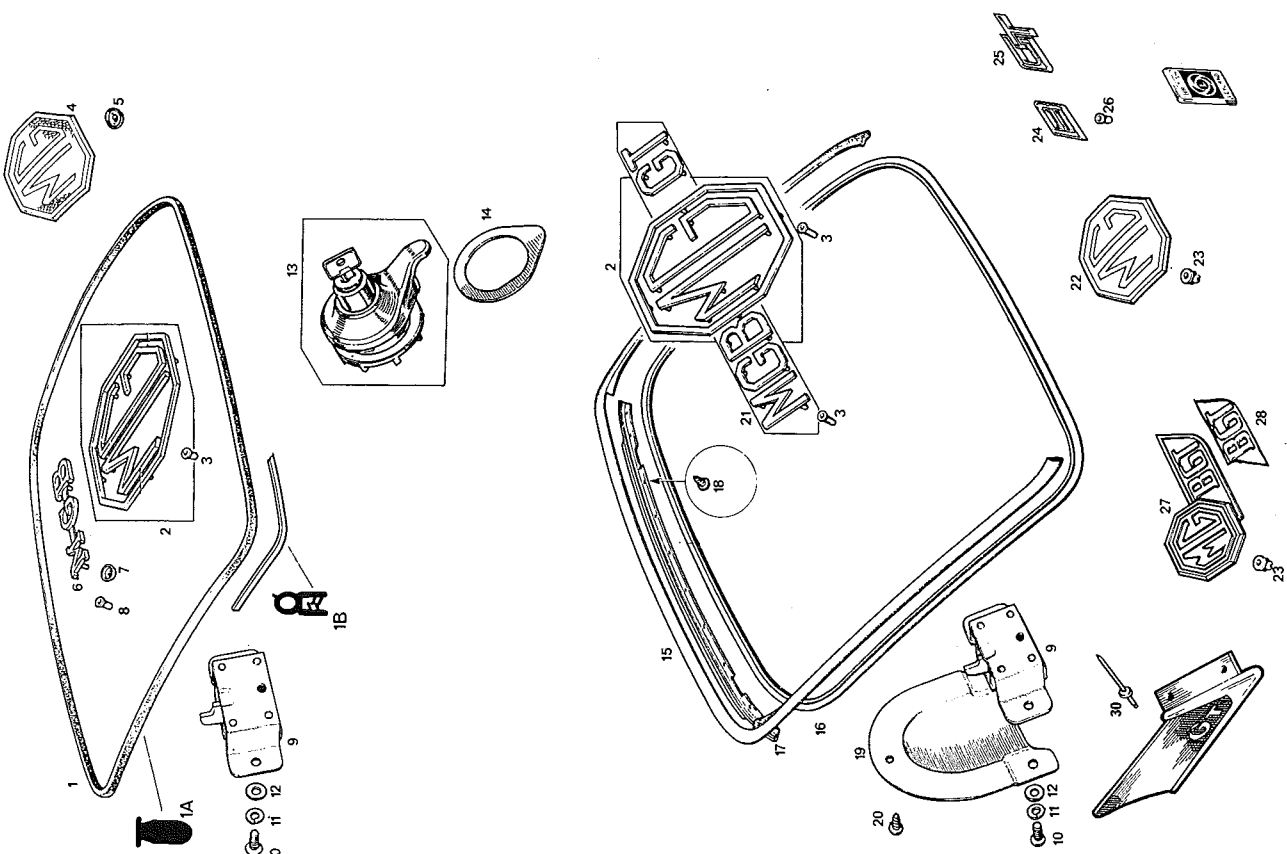
No.	Part No.	Description	Qty.	Remarks
OJ001	HZA5511	Boot Lid	1	
OJ002	AHA6314	RH Hinge	1	
OJ003	AHA6315	LH Hinge	1	
OJ004	SH604051	Hinge to Lid and Body Screw	12	
OJ005	GHF331	Spring Washer	12	
OJ006	HZA356	Striker	1	Roadster & GT
OJ007	GHF117	Screw	2	
OJ008	GHF331	Spring Washer	2	
OJ009	GHF300	Plain Washer	2	
OJ010	AHH6326	Boot Lid Stay	1	Up To GHN5 219000
OJ011	BHH293	Boot Lid Stay	1	GHN5 219001 On
OJ012	AJD7722	Spring Washer	1	
OJ013	GHF300	Plain Washer	1	
OJ014	GHF501	Split Pin	1	
OJ015	AAA1524	Spring Clip	1	
OJ016	AB606033	Screw	2	
OJ017	GHF101	Screw	2	
OJ018	GHF300	Plain Washer	2	
OJ019	GHF221	Lock Nut	2	
OJ020A	GAC4003	Chrome Bolt on Boot Rack	1	
OJ020B	GAC4004	Chrome Clamp on Boot Rack	1	
OJ020C	GAC4005X	Wood Clamp on Boot Rack	1	
OJ021	GAC4003B	Chrome Bolt-on 'LE' Boot Rack	1	
OJ022	HZA3994	Tailgate	1	'Amco' US Style
OJ023A	HZA2101	LH Hinge	1	
OJ023B	HZA2100	RH Hinge	1	
OJ024	SF605061	Hinge to Tailgate Screw	4	
OJ025	PWZ305	Plain Washer	6	
OJ026	GHF332	Spring Washer	6	
OJ027	GHF201	Nut	6	
OJ028	AHH7595	Packing Shim	AVR	
OJ029A	AHH7900	RH Tailgate Stay	1	
OJ029B	AHH7901	LH Tailgate Stay	1	
OJ030	14B1981	Chrome Dome Nut	4	
OJ031	GHF321	Spring Washer	4	
OJ032	PWZ205	Plain Washer	6	
OJ033	AWZ106	Anti-Rattle Washer	6	
OJ034	AHH7575	Pivot Stud	2	
OJ035	PWZ205	Plain Washer	2	
OJ036	GHF332	Spring Washer	2	
OJ037	GHF222	Nyloc Nut	2	
OJ038	AHH8049	Spring	2	
OJ039	AHH7904	Pivot	2	
OJ040	BHA4545	Nut	2	
OJ041	AHH7899	Spring Cover	2	Large
OJ042	AHH7578	Cover Cap	2	Small
OJ043	AHH1, 79	Cover Cap	2	



Section OK.

Boot Lid and Tailgate Seals; Body Mounted Badges

No.	Part No.	Qty.	Description	Remarks
OK001A	AHH7833	1	Boot Lid Seal	Attached To Lid Up to GHN5 401000
OK001B	HZA5386	1	Boot Lid Seal	Attached To Body GHN5 401001 on
OK002	AHH5261C	1	MG Octagon Set 3 Piece	Up to GHN/D4 187210
OK003	352985A	13/23	Blind Fix	Qty Increased For GT
OK004A	34G252	1	MG Badge (Plastic)	GHN5 187211 To 394007
OK004B	CHA545	1	MG Badge (Metal)	GHN5 394008 On
OK004C	CHA508	1	MG Badge (Metal)	Gold Letters (Selected cars GHN5 360301 to 410000)
OK005	BHA4953	3	Push On Fix	Up to GHN4 187210
OK006	AHH6079	1	MGB Badge	
OK007	BHA4558	2	Push On Fix	Roadster & GT
OK008	GHF1561	2	Blind Fix	
OK009	AHH7450	1	Latch	
OK010	PMZ308	4	Screw	
OK011	WL700101	4	Spring Washer	
OK012	GHF306	4	Plain Washer	
OK013A	AHH6179	1	Lock Assembly	
OK013B	AHH6179C	1	3 Piece Lock Set, Std Barrels	Incs 2 Doorlocks With
OK013C	AHH6179S	1	3 Piece Lock Set, Security Barrels	Matching Key
OK014	AHH6180	1	Gasket	
OK015	AHH9778	1	Upper Tailgate Seal	GT Only
OK016	AHH7833	1	Lower Tailgate Seal	
OK017	AHH7817	1	Upper Seal Retainer	
OK018	AB606031	10	Retainer Screw	
OK019	AHH7956	1	Latch Cover	
OK020	AB606021	1	Self Tapping Screw	
OK021	18G8766	1	MGB GT Letter Set	Up to GHD4 187840
OK022	34G252	1	MG Badge (Plastic)	GHD5 187841 To 296000
OK023	594990A	3	Blind Fix	GHD5 187841 To 296000
OK024	AHH9926	1	B Badge	
OK025	AHH9925	1	GT Badge	
OK026	GHF1531	4	Blind Fix	GHD5 296001 to GHD5 360300
OK027A	BHH855	1	MGB GT Badge Blue/Silver	GHD5 360301 on
OK027B	HZA5024	1	MGB GT Badge Black/Silver	Jubilee Models & Selected Cars Between GHD 360301 & 410000
OK027C	HZA5021	1	MGB GT Badge Black/Gold	LE Models
OK027D	BHH2685	1	MGB GT Badge Red/Silver	Fitted from approx
OK028A	BHH1400	1	GT C Post Badge RH	GHD5 400000 on
OK028B	BHH1401	1	GT C Post Badge LH	Mounted On Lower Rear 1/4 of Front Wings From GHN/D5
OK029	CZH2717	2	British Leyland House Badge	282455 Up to GHN/D5 410000
OK030	GHF600	4	Rivet, C Post Badge Fixing	

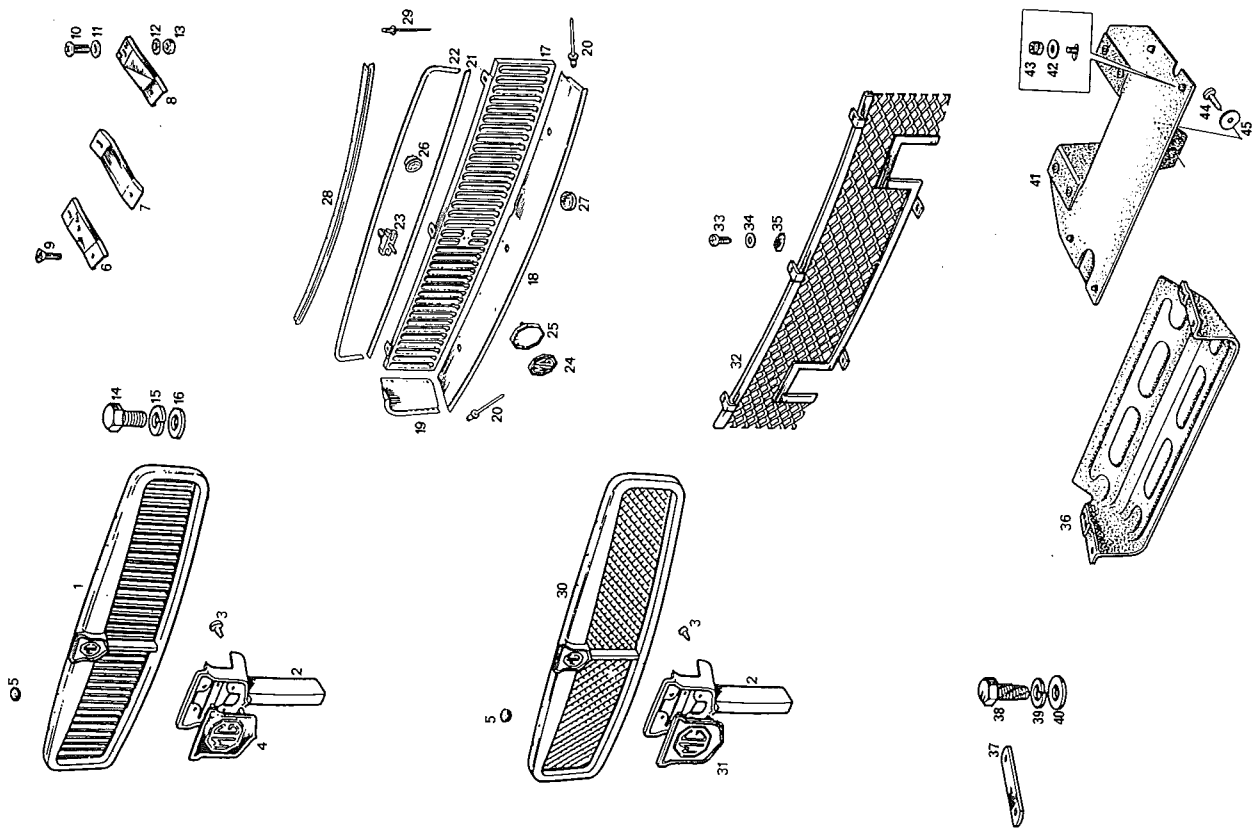


97-30612

Section PA.

Grilles & Badges

No.	Part No.	Qty	Description	Remarks
PA001A	ARH218	1	Chrome Grille Assy	
PA001B	ARH218B	1	Chrome Grille Assy	Up to GHD5 187840
PA002	ARH1800	1	Centre Plinth	Economy Alternative
PA003	GHF400	2	Screw	Less Badge
PA004	ARA2148	1	Badge	Red/Black
PA005	ADA803	2	Top Rail Buffer	
PA006	HZA490	1	RH Grille Steady Bracket	
PA007	HZA489	1	Centre Grille Steady Bracket	
PA008	HZA491	1	LH Grille Steady Bracket	
PA009	RMP308	3	Grille To Steady Bracket Screw	
PA010	PMZ308	3	Steady Bracket To Bonnet	Platform Screw
PA011	GHF306	3	Plain Washer	
PA012	WL700101	3	Spring Washer	
PA013	GHF206	3	Nut	
PA014	SH604041	3	Grille To Radiator Duct Screw	
PA015	GHF331	3	Spring Washer	
PA016	GHF301	3	Plain Washer	
PA017	AHH9889	1	Grille Panel	GHN5 187211-294250 GHD5 187841-296000
PA018	AHH9928	1	Lower Grille Panel	
PA019A	AHH9992	1	RH Side Finisher	
PA019B	AHH9993	1	LH Side Finisher	
PA020	DAP823	17	Finisher Rivets	
PA021	AHH9923	1	Lower Moulding	
PA022	AHH9922	1	Upper Moulding	
PA023	BHA5008	12	Moulding Clip	
PA024	AHA9318	1	Badge	
PA025	AHH9924	1	Badge Plinth	
PA026	ARA982	1	Plinth Clip	
PA027	RFN210	3	Plug	
PA028	AHH9888	1	Bonnet Edge Moulding	Do Not Use With PA001 Or PA030 Grille
PA029	RA607096	7	Moulding Rivet	
PA030A	BHH824	1	Honey Combe Grille Assy	GHN5 294251/D5 269001 Up to Rubber Bumper Models
PA030B	BHH824B	1	Honey Combe Grille Assy	Economy Alternative
PA031	BHH829	1	Badge	Red
PA032	BHH753	1	Grille	Rubber Bumper Models
PA033	GHF423	5	Screw	
PA034	PWZ203	5	Plain Washer	
PA035	GHF1020	3	Plastic Nut	
PA036	BHH1622	1	Lower Air Duct	Rubber Bumper, GT & Roadster Up to GHN5 410000
PA037	BHH1616	2	Reinforcing Strap	
PA038	SH604041	8	Screw	
PA039	GHF331	8	Spring Washer	
PA040	PWZ204	8	Plain Washer	
PA041	BHH2127	1	Mud Shield	
PA042	GHF300	4	Washer, Flat	
PA043	GHF221	4	Nyloc Nut	
PA044	GHF425	1	Self Tapping Screw	
PA045	PWZ204	1	Plain Washer	GHN/D5 410000 On



Section PB.

Front Bumpers Chrome Bumper Models

PB001A	AHH6208	1	Front Bar	
PB001B	AHH6208B	1	Front Bar (Repro)	
PB001C	AHH6208BK	1	Front Bar Fitting Kit	
PB002	AHH6209	1	RH Spring Bar	
PB003	AHH6210	1	LH Spring Bar	
PB004	BH607261	2	Bar To Chassis Bolt (Long)	
PB005	SH607101	2	Bar To Chassis Screw (Short)	
PB006	2K6842	4	Plain Washer	
PB007	GHF334	4	Spring Washer	
PB008	GHF203	2	Front Bolt Nut	
PB009	AHH6210BK	1	Spring Bar Bolt Kit	
PB010	AHH6216	6	Distance Piece	
PB011A	AHH6215	2	Steady Bracket	
PB011B	AHH6215BK	2	Steady Bracket Fitting Kit	
PB012A	24G625	4/6	Chrome Headed Bolt	
PB012B	554700K	4/6	Chrome Bolt and Nut	
PB013	PWZ306	6	Plain Washer	
PB014	GHF333	6	Spring Washer	
PB015	GHF203	4	Nut	
PB016	24G629	2	Steady Bracket Pad	
PB017	SH606101	2	Steady Bracket Screw	
PB018	AHH6916	2	Override (All Chrome)	
PB019	BH606121	2	Override To Bar Bolt	
PB020	BHH377	2	Override (Rubber Faced)	
PB021M	37H9871M	4	Override Packing Strip	
PB022	GHF203	2	Nut	

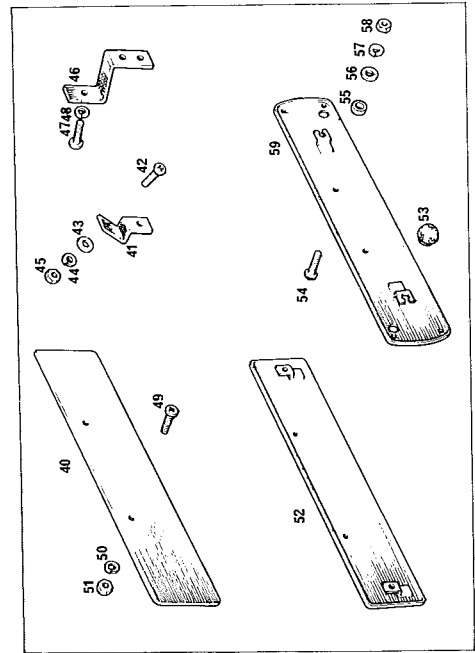
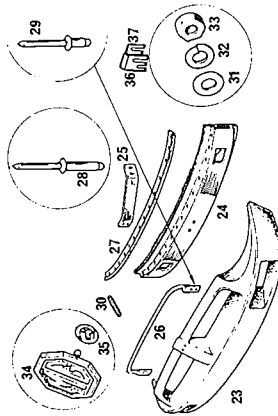
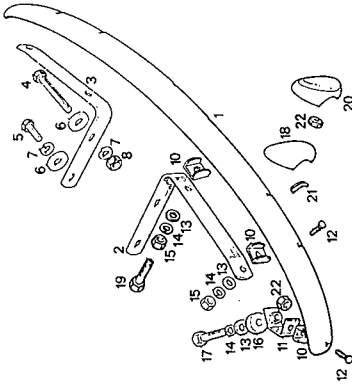
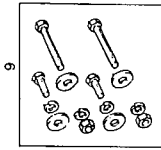
Inc 6 x 10, 4 x 12B, 2 x 11B
Up to GHN5 360300
Up to GHD5 360300

Inc Nos PB004-PB008

Inc PB 10, 12-17, 22
Qty. Increased When Not Fitted
With O/riders

Up to GHN5 187210
GHD5 187840

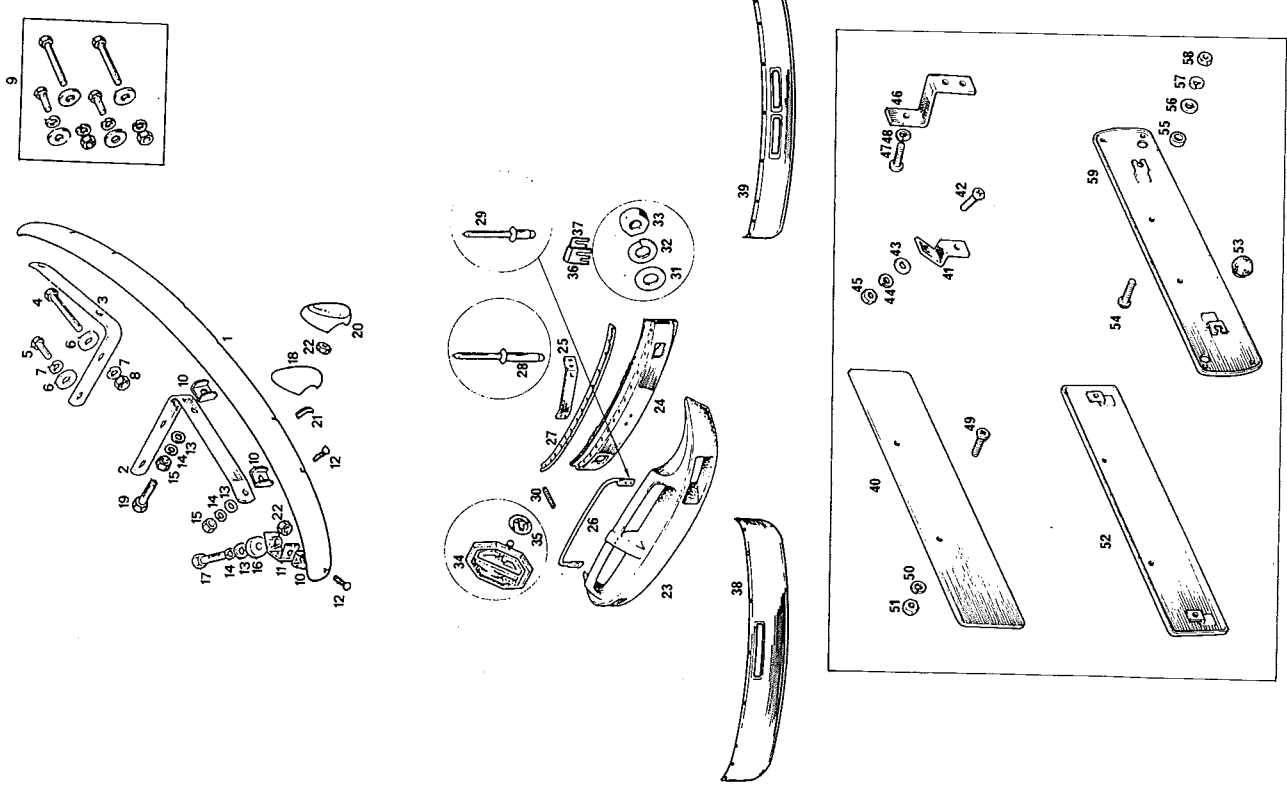
GHN5 187211 - 360300
GHD5 187841 - 360300



Section PB. Continued.

Rubber Bumper Models

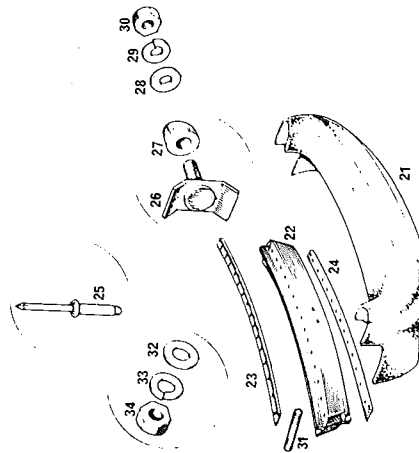
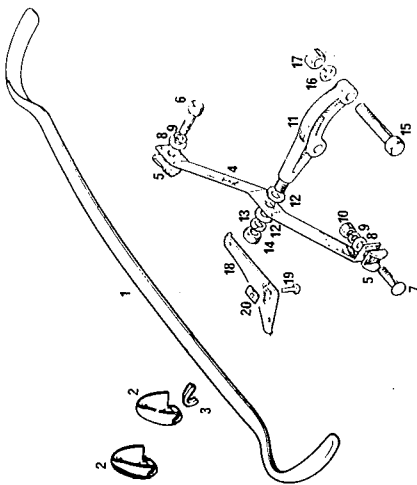
No.	Part No.	Qty	Description	Remarks
PB023	BHM536	1	Front Bumper Skin	Up to GHN5 371463, GHD5 378516 Not fitted between GHN5 371464 /GHD5 378517 and GHN/D5 471000 GHN5 371464, GHD5378517 on
PB024A	BHH1554	1	Armature	
PB025A	BHH1559	1	RH Outer Spring Bar	
PB025B	BHH1560	1	LH Outer Spring Bar	
PB024B	BHH1819	1	Armature	Jubilee & Selected Cars '75-'76 LE Models
PB026	BHH1577	1	Bumper Support	
PB027	BHH1561	2	Clamping Plate	
PB028	CHA307	28	Rivet	
PB029	CHA366	4	Support To Armature Rivet	
PB030	BHH1820	4	Mounting Stud	
PB031	GHF302	4	Plain Washer	
PB032	GHF332	4	Spring Washer	
PB033	GHF202	4	Nut	
PB034A	CHA544	1	Bumper Badge, Silver Letters	
PB034B	CHA507	1	Bumper Badge, Gold Letters	
PB034C	BHH2688	1	Bumper Badge, Red Letters	
PB035	PFS106	2	Badge Clip	
PB036	BHH1819X	2	Armature to Chassis Wind Deflector	PB036 is GHN/D5 440000 on approx GHN/D5 440000 on approx
PB037	BHH1820X	AVR	Armature to Chassis Packing Shim	
PB038	STR189	1	Front Spoiler (ST)	Suitable For Both Chrome And Rubber Bumper Models
PB039	BHH2682A	1	Front Spoiler (LE)	
PB040	BHH1524	1	Front No. Plate Support	Chrome Bumper
PB041	BHH6217	2	Support Bracket	
PB042	SE604081	2	Screw	Rubber Bumper
PB043	GHF300	2	Washer, Flat	
PB044	GHF331	2	Spring Washer	Chrome Bumper
PB045	GHF200	2	Nut	
PB046	BHH1642	2	Support Bracket	Rubber Bumper
PB047	SH604041	2	Screw	
PB048	GHF331	2	Spring Washer	Chrome Bumper
PB049	SE604081	2	Screw	
PB050	GHF331	2	Spring Washer	Chrome Bumper
PB051	GHF200	2	Nut	
PB052A	AHA5791	1	Rear No. Plate Support Mild Steel	Chrome Bumper
PB052B	AHA5791SS	1	Rear No. Plate Support Stainless Alt.	
PB053	AHA5804	2	Buffer	Chrome Bumper
PB054	SE604081	2	Screw	
PB055	AHH5712	2	Spacer	Chrome Bumper
PB056	GHF300	2	Flat Washer	
PB057	GHF331	2	Spring Washer	Chrome Bumper
PB058	GHF200	2	Nut	
PB059A	BHH1673	1	Rear No. Plate Support Mild Steel	Rubber Bumper
PB059B	BHH1673SS	1	Rear No. Plate Support Stainless Alt.	



Section PC.

Rear Bumpers

No.	Part No.	Qty	Description	Remarks
Chrome Bumper				
PC001A	AHH6261	1	Rear Bar '62-'73	No. Plate Lights in Overriders
PC001B	AHH6261B	1	Rear Bar, Repro, '62-'73	No. Plate Lights in Bumper
PC001C	BHH1525	1	Rear Bar '74 only	Inc. 2x: 15,16,17,6,13,14,7,10 4x: 8, 9, 12, 5
PC001D	AHH6261BK	1	Rear Bar Mounting Kit	'62-'70
PC002A	AHH6489	1	RH Overrider (All Chrome)	'71-'73
PC002B	AHH6490	1	LH Overrider (All Chrome)	'74 only
PC002C	BHH378	1	RH Overrider (Rubber Faced)	
PC002D	BHH379	1	LH Overrider (Rubber Faced)	
PC002E	BHH377	2	Overrider, Rubber Faced	
PC003	37H9871M	4	Overrider To Bumper Packing	
PC004	AHH6250	2	Spring Bar	
PC005	AHH6216	4	Distance Washer	
PC006	GHF106	2	Overrider Mounting Bolt	
PC007A	24G625	2	Chrome Headed Bolt	
PC007B	554700K	2	Chrome Bolt and Nut	
PC008	PWZ306	4	Plain Washer	
PC009	GHF333	4	Spring Washer	
PC010	GHF202	2	Nut	
PC011	AHH6335	2	Bumper Mounting Bracket	
PC012	GHF304	A/R	Plain Washer	
PC013	GHF335	2	Spring Washer	
PC014	GHF204	2	Nut	
PC015A	BH607321	4	Bolt	Inc. 2x: 15,16,17
PC015B	AHH6335BK	2	Bracket Fitting Kit	Original
PC016	GHF334	4	Spring Washer	Original
PC017	GHF203	4	Nut	
PC018A	AHH7278	1	RH Bumper Filler	
PC018B	AHH7279	1	LH Bumper Filler	
PC018C	AHH7278SS	1	RH Bumper Filler Stainless	
PC018D	AHH7278SS	1	LH Bumper Filler Stainless	
PC019	GHF421	6	Self Tapping Screw	
PC020	GHF700	6	Spire Clip	
Rubber Bumper				
PC021	BHM537	1	Rubber Bumper Skin	
PC022	BHH1821	1	Armature	
PC023	BHH1550	1	Upper Clamp Plate	
PC024	BHH1551	1	Lower Clamp Plate	
PC025	CHA307	28	Rivet	
PC026	BHH1575	2	Side Fixing Bracket	
PC027	BHH1576	4	Distance Piece	
PC028	GHF301	2	Plain Washer	
PC029	GHF333	2	Spring Washer	
PC030	GHF201	2	Nut	
PC031	BHH1820	5	Mounting Stud	
PC032	GHF302	5	Plain Washer	
PC033	GHF332	5	Spring Washer	
PC034	GHF202	5	Nut	

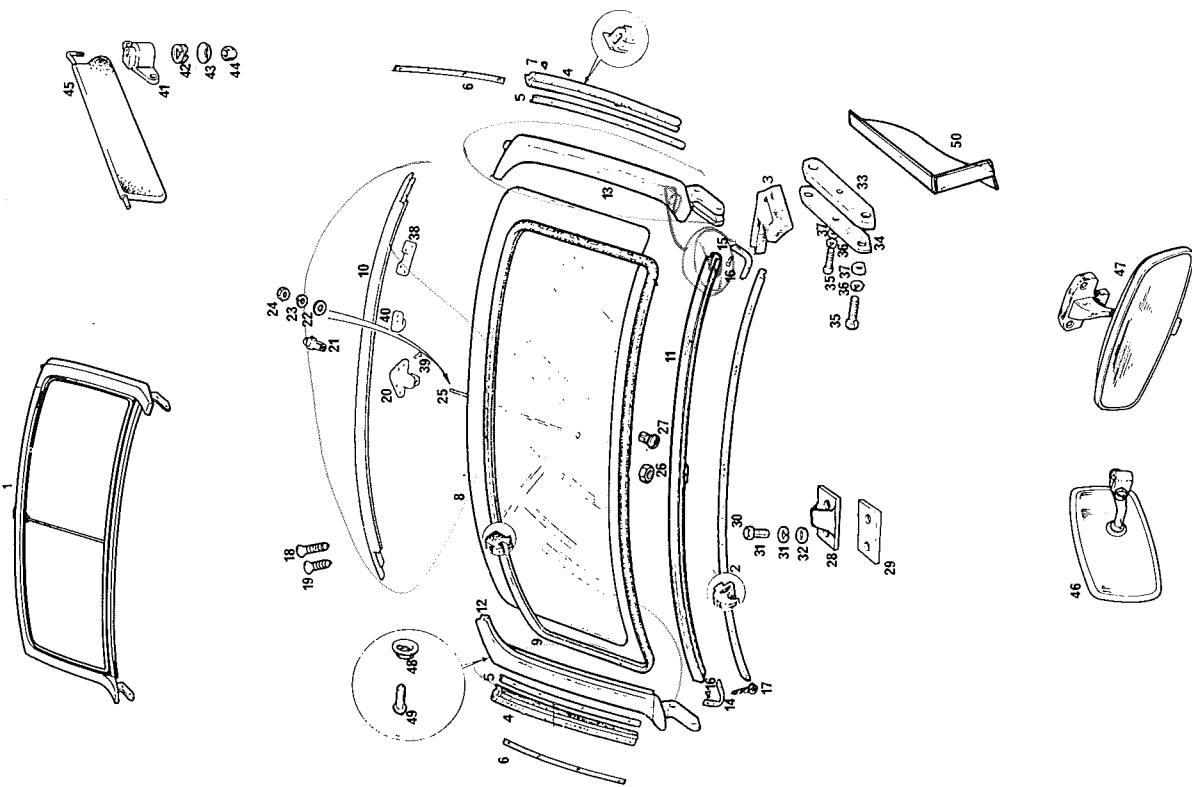


Section QA.

Windscreen Assy. Roadster

No.	Part No.	Qty	Description	Remarks
QA001	BHH2671	1	Windscreen Body Assembly	
QA002	AHH7136	1	Frame To Body Seal	Late Rubber Bumper Type Not Easily Used On Models Prior To GHN4 187211
QA003A	AHH7069	1	LH Pillar To Body Seal	
QA003B	AHH7068	1	RH Pillar To Body Seal	
QA004	27H4300	2	Pillar To 1/4 Light Seal	
QA005	AHH6409	2	Pillar Seal Retainer	
QA006	BHH2670	2	Pillar Seal Support	
QA007	AHH6536	8	Rivet	
QA008	HZA5415	1	Windscreen Glass	Laminated
QA009	HZA5414	1	Glass To Frame Seal	
QA010A	AHH9837	1	Top Rail	
QA010B	AHH9837A	1	Top Rail Corner Bracket RH	
QA010C	AHH9837B	1	Top Rail Corner Bracket LH	
QA011	AHH9225	1	Bottom Rail	
QA012	BHH1391	1	RH Pillar Assembly	
QA013	BHH1392	1	LH Pillar Assembly	
QA014	AHH6394	1	RH Lower Corner Reinforcement	
QA015	AHH6395	1	LH Lower Corner Reinforcement	
QA016	CMZ307	4	Screw, Bracket To Pillar	
QA017	AHH6945	4	Screw, Bracket To Bottom Rail	
QA018	CMF308	4	Screw, Top Rail To Pillar	
QA019	CMF310	2	Screw, Top Rail To Pillar	
QA020A	AHH6389	1	Centre Rod Top Bracket	Long Short (Up to '68)
QA020B	AHH8446	1	Centre Rod & Rear View Mirror Brkt	
QA020C	BHA4963	1	Centre Rod & Rear View Mirror Brkt	
QA021	AHH6495	1	Centre Rod Top Nut	(70-On) (Up to '68)
QA022	GHF306	1	Plain Washer	
QA023	WL700101	1	Spring Washer	
QA024	GHF206	1	Nut	
QA025A	AHH6411	1	Centre Rod (Chrome)	(Up to '68)
QA025B	AHH8750	1	Centre Rod (Satin Finish)	(69-On)
QA026	GHF206	1	Centre Rod Bottom Nut	(Up to '68)
QA027	AHH8749	1	Centre Rod Bottom Nut	(69-On)
QA028A	AHH6389	1	Centre Rod Bottom Bracket	(Up to '68)
QA028B	AHH8459	1	Centre Rod Bottom Bracket	(69-On)
QA029	AHH6392	1	Bracket Packing	
QA030A	HPP408	2	Screw, Chromed	
QA030B	GHF101	2	Screw, Unchromed Alternative	
QA031	GHF331	2	Spring Washer	
QA032	GHF300	2	Plain Washer	

The only windscreen assembly and components which are now available are the latest type. When being fitted to cars prior to GHN4 187211 also use mirror QA46.

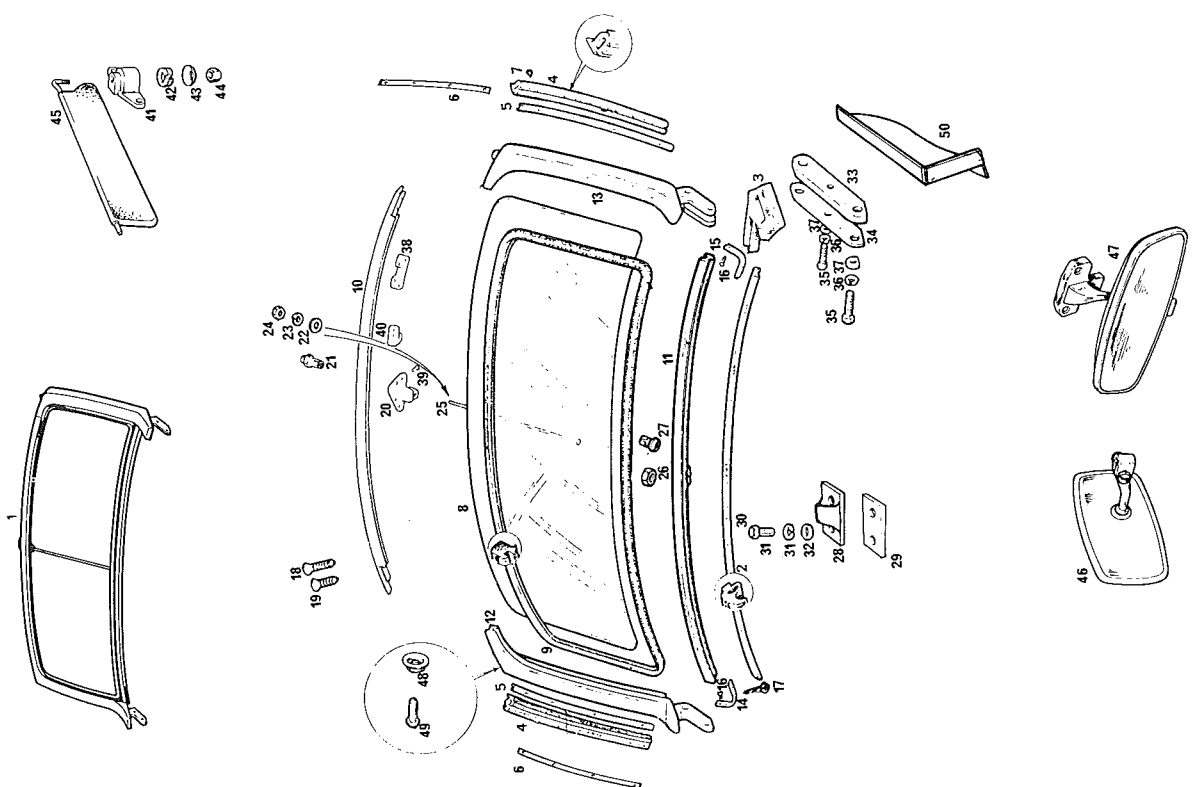


Section QA. Continued.

Windscreen Assembly Roadster

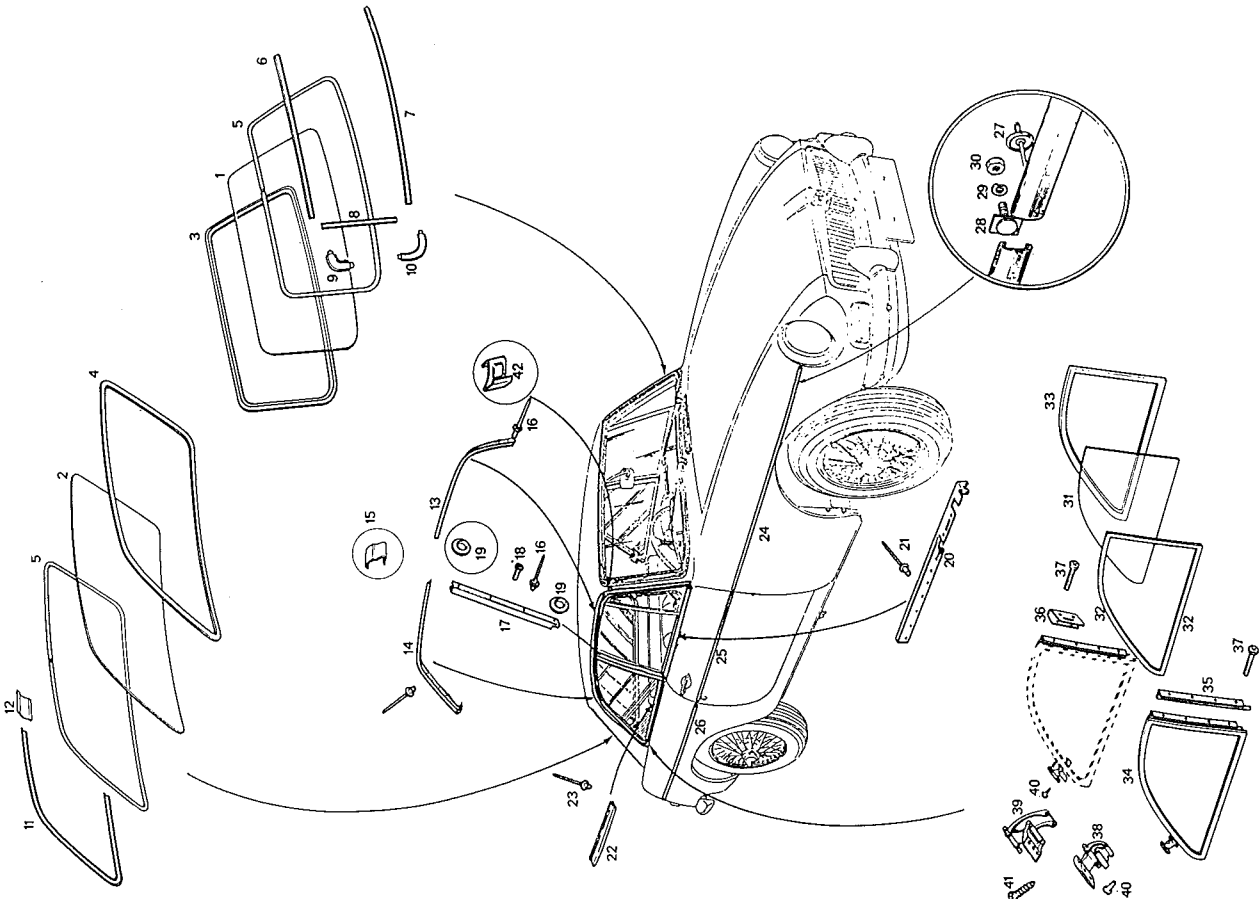
QA033	AHH6413	2	Pillar Outer Packing
QA034	AHH6414	2	Pillar Inner Packing
QA035	SH505091	4	Pillar Screw
QA036	GHF332	4	Spring Washer
QA037	PWZ204	4	Plain Washer
QA038	AHA8483	2	Hood Fastening Bracket
QA039	AHH7138	14	Brackets To Top Rail Rivet
QA040	AHH9838	2	Sun Visor Anchor Bracket
QA041	HZA5101	2	Sun Visor Pivot Bracket
QA042	AJD7721	2	Spring Washer
QA043	AHH8799	2	Spherical Washer
QA044	NY910041	2	Lock Nut
QA045A	BHH2169	1	LH Sun Visor With Mirror
QA045B	BHH2166	1	RH Sun Visor With Pocket
QA045C	GAC4021	1	RHD Sun Visor Kit
QA046A	BHA4806	1	Interior Mirror
QA046B	BHA4781	1	Interior Mirror
QA047	BHA4960	1	Interior Mirror (Dipping)
QA048	610624	A/R	Hood/Tonneau Stud
QA049	AHH6536	A/R	Rivet
QA050A	BMH9508	1	Windscreen Leg Cover RH
QA050B	BMH9509	1	Windscreen Leg Cover LH

GHN5 410001 on
 GHN5 410001 on
 Comprises Items 39-44
 Rod Fitting (Up To '68)
 ('69)
 ('70-On)



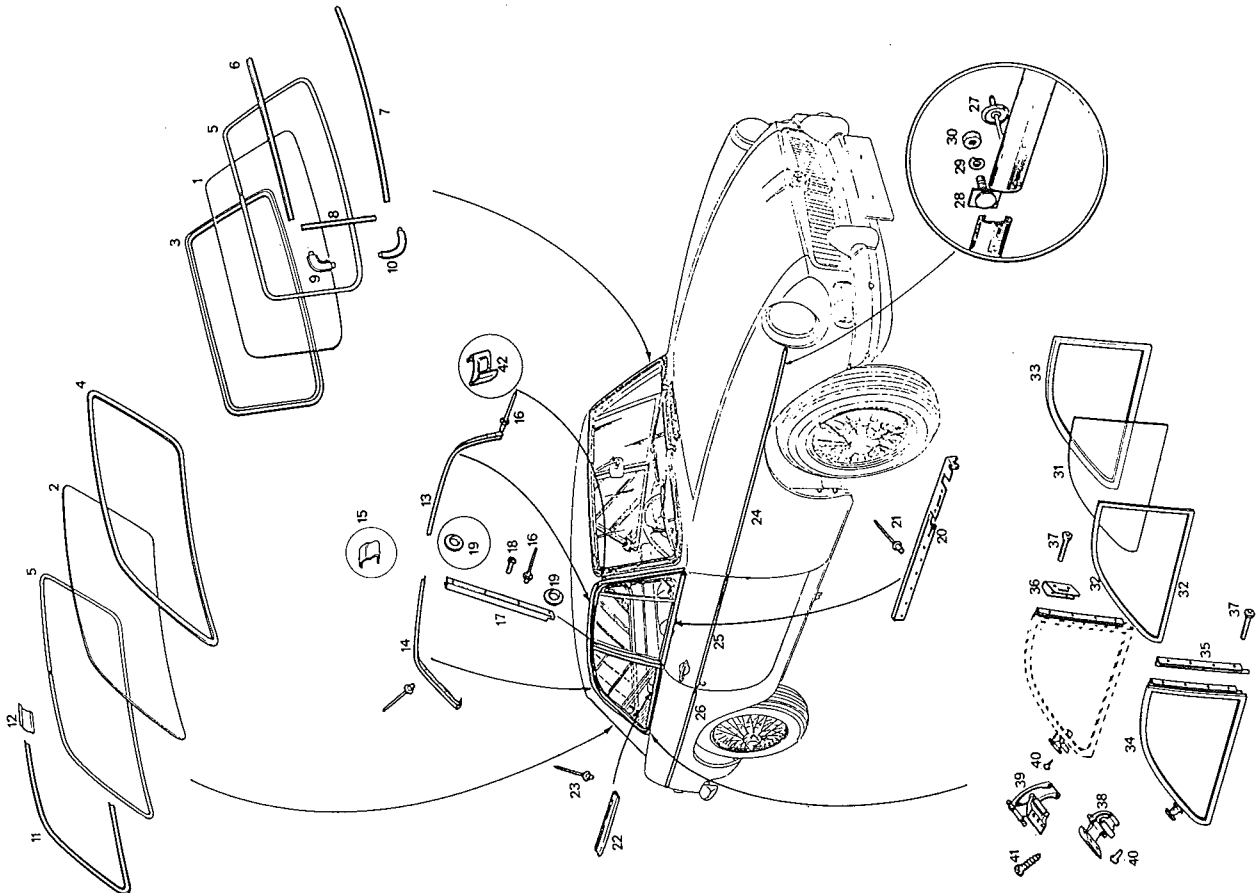
Section QB.

No.	Part No.	Qty.	Description	Remarks
Windscreen, Back Light, And Finishers. GT.				
QB001A	AHH8228	1	Front Screen Glass	Clear, Laminated Tinted, Laminated Graduated Tint At Top Of Glass Clear Clear, Heated Tinted, Heated
QB001B	BHH308	1	Front Screen Glass	
QB001C	BHH308TT	1	Front Screen Glass	
QB002A	AHH7394	1	Rear Screen Glass	
QB002B	BHH529	1	Rear Screen Glass	
QB002C	BHH530	1	Rear Screen Glass	
QB003	AHH7404	1	Front Screen Glazing Rubber	
QB004	AHH7403	1	Rear Screen Glazing Rubber	
QB005	AHH7815	1	Filler Strip	
QB006	AHH7426	2	Top Moulding	
QB007	AHH7425	1	Bottom Moulding	
QB008A	AHH7439	1	RH Side Moulding	
QB008B	AHH7440	1	LH Side Moulding	
QB009	AHH7423	2	Top Corner Moulding	
QB010	AHH7424	2	Bottom Corner Moulding	
QB011A	AHH7427	1	RH Back Light Moulding	
QB011B	AHH7428	1	LH Back Light Moulding	
QB012	AHH7441	2	Moulding Clip	
QB013A	AHH7407	1	RH Front Gutter Moulding	
QB013A	AHH7408	1	LH Front Gutter Moulding	
QB014A	AHH7409	1	RH Rear Gutter Moulding	
QB014B	AHH7410	1	LH Rear Gutter Moulding	
QB015	AHH7422	2	Finisher Clip	
QB016	RA607096	42	Rivet	Up to GHD5 286061
QB017A	AHH7411	1	RH B Post Finisher	
QB017B	AHH7412	1	LH B Post Finisher	
QB017C	BHH596	1	RH B Post Finisher	
QB017D	BHH597	1	LH B Post Finisher	
QB018	AB604023	8	B Post Finisher Screw	
QB019	GHF821	2	B Post Finisher Grommet	
QB020A	AHH7476	1	RH Door Waist Finisher	
QB020B	AHH7477	1	LH Door Waist Finisher	
QB021	GHF600	14	Waist Finisher Rivet	
QB022A	AHH7418	1	RH Rear Waist Finisher	
QB022B	AHH7419	1	LH Rear Waist Finisher	
QB023	RA607096	8	Rear Waist Finisher Rivet	
QB024A	AHH6103	1	RH Front Wing Moulding	
QB024B	AHH6104	1	LH Front Wing Moulding	
QB025A	AHH6105	1	RH Door Moulding	
QB025B	AHH6106	1	LH Door Moulding	
QB026A	AHH6107	1	RH Rear Wing Moulding	
QB026B	AHH6108	1	LH Rear Wing Moulding	
QB027	GHF1435	50	Rivet And Clip	
QB028	AHH6360	6	Stud Plate	
QB029	WL700101	6	Spring Washer	
QB030	GHF206	6	Nut	



Section QB. Continued.

No.	Part No.	Qty.	Description	Remarks
Windscreen, Backlight And Finishers GT				
QB031A	BHH576	1	RH Rear 1/4 Light Glass	Clear Glass
QB031B	BHH577	1	LH Rear 1/4 Light Glass	Tinted Glass
QB031C	BHH574	1	RH Rear 1/4 Light Glass	Tinted Glass
QB031D	BHH575	1	LH Rear 1/4 Light Glass	Tinted Glass
QB032	BHH582	2	Glazing Rubber	Furflex
QB033A	AHH7413	1	RH 1/4 Light Seal Black	Nylon
QB033B	AHH7414	1	LH 1/4 Light Seal Black	Nylon
QB033C	KG818	1	RH 1/4 Light Seal Black	Nylon
QB033D	KG819	1	LH 1/4 Light Seal Black	Nylon
QB033E	KG818	1	RH 1/4 Light Seal A/Leaf	Nylon
QB033F	KG819	1	LH 1/4 Light Seal A/Leaf	Nylon
QB033G	KG818	1	RH 1/4 Light Seal Navy	Nylon
QB033H	KG819	1	LH 1/4 Light Seal Navy	Nylon
QB033I	KG818	1	RH 1/4 Light Seal Y/Ochre	Nylon
QB033J	KG819	1	LH 1/4 Light Seal Y/Ochre	Nylon
QB034A	18G8478	1	RH 1/4 Light Assembly	Clear Glass
QB034B	18G8479	1	LH 1/4 Light Assembly	Clear Glass
QB034C	BHH572	1	RH 1/4 Light Assembly	Tinted Glass
QB034D	BHH573	1	LH 1/4 Light Assembly	Tinted Glass
QB035A	AHH7510	1	RH 1/4 Light To B Post Hinge	Use 2 Off QB36 For Replacement
QB035B	AHH7511	1	LH 1/4 Light To B Post Hinge	Use 2 Off QB36 For Replacement
QB036	BHH698	4	1/4 Light To B Post Hinge	GHD5 286062 On
QB037	CMZ204	12	Screw	Use QB39A
QB038A	AHH9864	1	RH Toggle Catch	Use QB39B
QB038B	AHH9865	1	LH Toggle Catch	Use QB39B
QB039A	BHH598	1	RH Toggle Catch	GHD5 268062 On
QB039B	BHH599	1	LH Toggle Catch	GHD5 268062 On
QB040	AHH7138	4	Catch To Frame Rivet	
QB041	AD606053	4	Catch To C Post Screw	
QB042A	AHH7828	1	RH A Post Finisher	GHD3 71933 - GHD4 139741
QB042B	AHH7829	1	LH A Post Finisher	GHD3 71933 - GHD4 139741



Section QC

Mirrors and Seatbelts

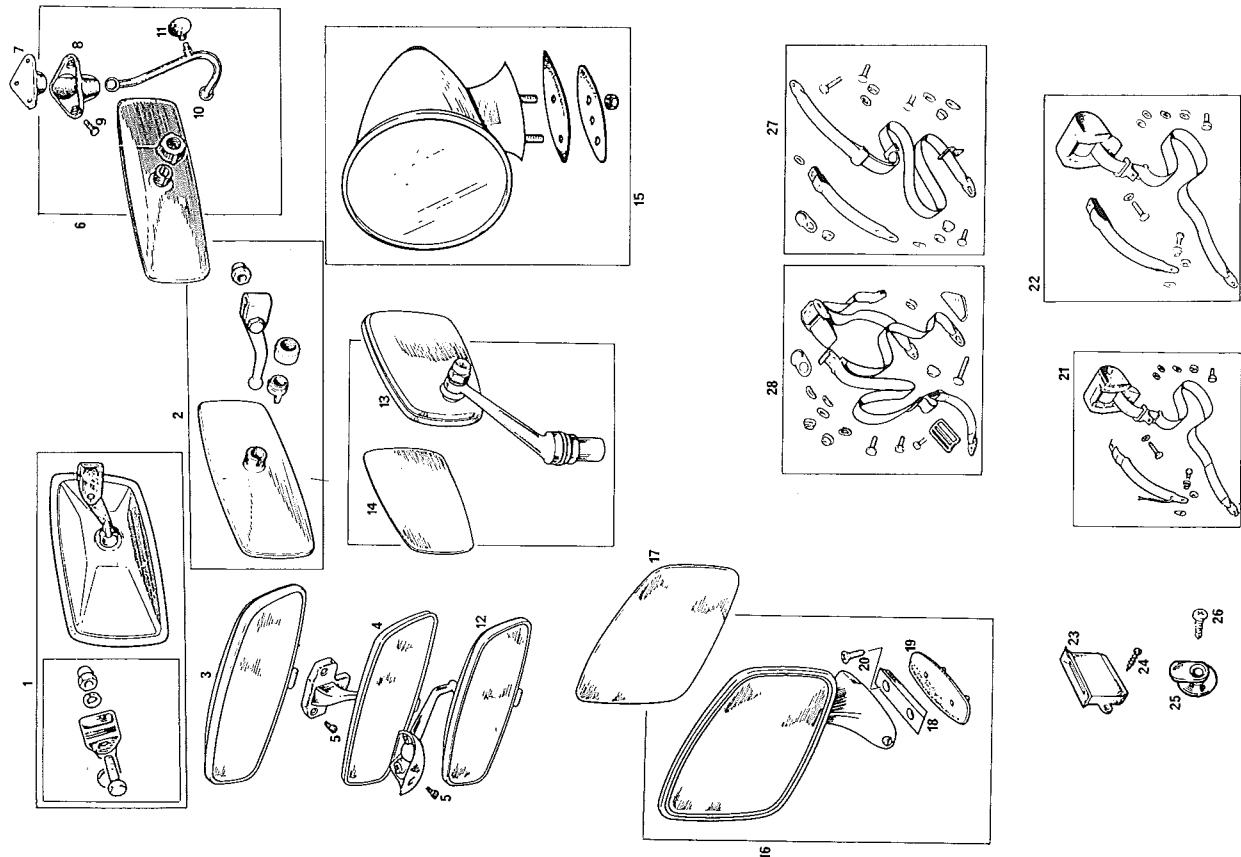
No.	Part No.	Qty	Description	Remarks
Roadsters				
QC001	BHA4806	1	Rear View Mirror	Stem Mounted Up To '68 Late 1968 & 1969 1970 on
QC002	BHA4809	1	Rear View Mirror	
QC003	BHA4960HED	1	Mirror Head Only	
QC004	BHA4960	1	Mirror Assembly	
QC005	RMP308	2	Screw	
GT				
QC006	BHA4781	1	Mirror Head	Up To 1969
QC007	27H6665	1	Mirror Base	
QC008	27H6666	1	Cover Plate	
QC009	AD610042	3	Screw	
QC010	AHH7473	1	Mirror Arm	
QC011	BHA4784	1	Suction Pad	1970 on
QC012	BHA4955	1	Mirror Assembly	
QC003	BHA4960HED	1	Mirror Head Only	

All Models

QC013A	GAM117	2	Front Wing Mirror, Convex Glass	Up to GHN5 328100, GHD5 328800
QC013B	GAM118	2	Front Wing Mirror, Flat Glass	
QC014A	GAM210	2	Replacement Glass, Convex	
QC014B	GAM209	2	Replacement Glass, Flat	
QC015	GAM105	2	Racing Torpedo Mirror	
QC016A	GAM213	1	RH Door Mirror Chrome Finish	
QC016B	GAM214	1	LH Door Mirror Chrome Finish	
QC016C	GAM154	1	RH Door Mirror Black Finish	
QC016D	GAM155	1	LH Door Mirror Black Finish	
QC017	GAM238	2	Replacement Glass	
QC018	DZB5208A	2	Fixing Plate	
QC019	CZA7164	2	Mirror Fixing Grommet	
QC020	AC610081	4	Screw	

The only original seat belts now available are those for the 1976-On cars. Due to the improbability of earlier belts being available again, suitable alternatives are listed below:

QC021A	BHM633	1	RH Seat Belt (Automatic)	Roadster Models '76-On
QC021B	BHM634	1	LH Seat Belt (Automatic)	
QC021C	BHM637	1	RH Seat Belt (Automatic)	
QC021D	BHM638	1	LH Seat Belt (Automatic)	GT Models '76-On
QC022	GAC5070	2	'Securon' Replacement Automatic Seat Belt	
QC023	BHM938	2	Seat Belt Park	Up to GHN/D5 429588
QC024	GHF426	4	Screw	
QC025	BHA5236	2	Seat Belt Park	GHN/D5 429589 On
QC026	GHF422	2	Screw	
QC027	ZKC1667	2	'Securon' Replacement Static Seat Belt	'Clip in Stem' type 'Magnetic' type to replace all early static seat belts
QC028	AKF16468	2	US type Static Seat Belt	



Section RA

Hoods

All of our hoods are manufactured by Coventry Hood and Seating Company. They are tailored on the original jigs used to supply hoods to the MG factory at Abingdon.

The material required to manufacture original quality hoods is now out of production, and all stocks have been used. The only hoods we stock at present are the 'B' specification hoods, made from a slightly thinner material. It is hoped that in the future a material similar to the original specification may be sourced to upgrade the quality of the range offered.

These hoods are available with or without the header rail. The header rail is the bar attached to the front of the hood which is then clamped to the windscreen frame. Hoods with header rails are designed to ensure quick and accurate installation.

Prior to the introduction of the Coventry hood you could not buy one with a header rail fitted. Installation for this hood is estimated at 30-45 minutes, while installation of the hood without header rail is estimated at 1-2 hours, and will require drilling due to the removal of retaining rivets from header rail. Drilling fitting instructions are included with all our hoods. All styles of hood are available in black only

Packaway Hoods 1963-70

These hoods were designed to be folded up and put in the boot. They were used with a "Split in 2" type frame which was also stored in the boot when not in use.

No.	Part No.	Description
RA001A	AHH8516B	Hood with Header Rail
RA001B	AHH8516WOB	Hoods without Header Rail

Deluxe Hoods 1963-70

These hoods were designed to remain attached to the frame when in the folded down position. The frame (originally painted grey) remained in the cockpit when in the down position.

No.	Part No.	Description
RA002A	AKE5372B	Hood with Header Rail
RA002B	AKE5372WOB	Hood without Header Rail

Folding Hoods 1970-76

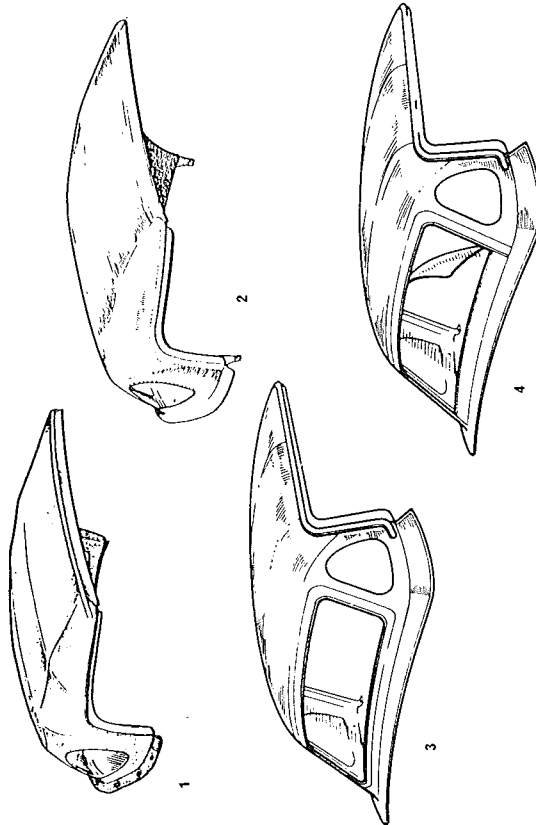
These hoods also remain attached to the frame when folded down. The frame (originally painted black) was an improved design which allowed for easier operation.

No.	Part No.	Description
RA003A	BHH905B	Hood with Header Rail
RA003B	BHH905WOB	Hood without Header Rail

Zip Down Rear Window Hood 1976 on

These hoods are the same as the 1970-1976 hoods (BHH905) but have a zip down the rear window fitted. These hoods can be used on earlier models as long as they are used with the later frame (BHH346).

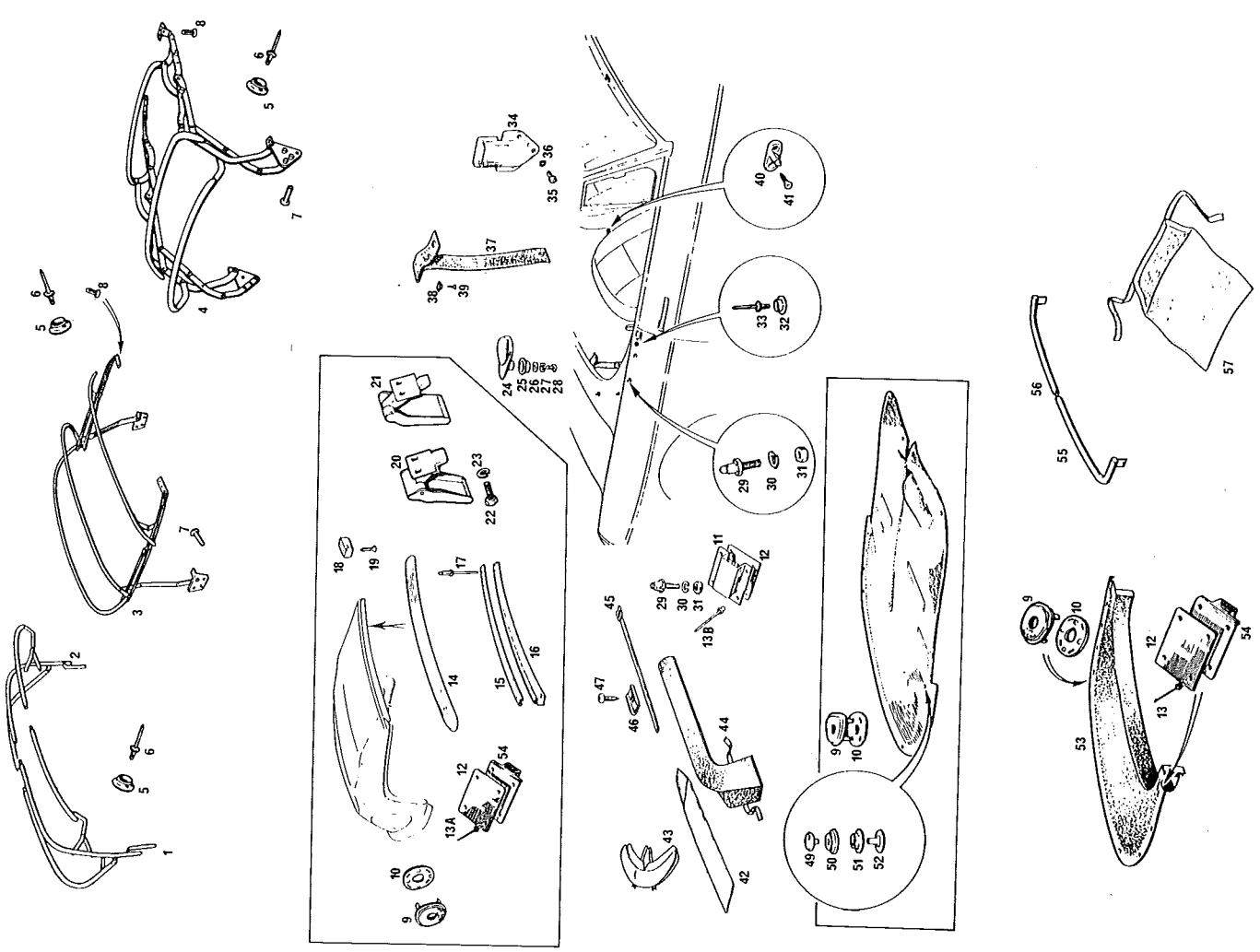
No.	Part No.	Description
RA004A	HZA5123B	Hood with Header Rail
RA004B	HZA5123WOB	Hood without Header Rail



Section RB.

Hood Fittings, Tonneau And Hood Covers

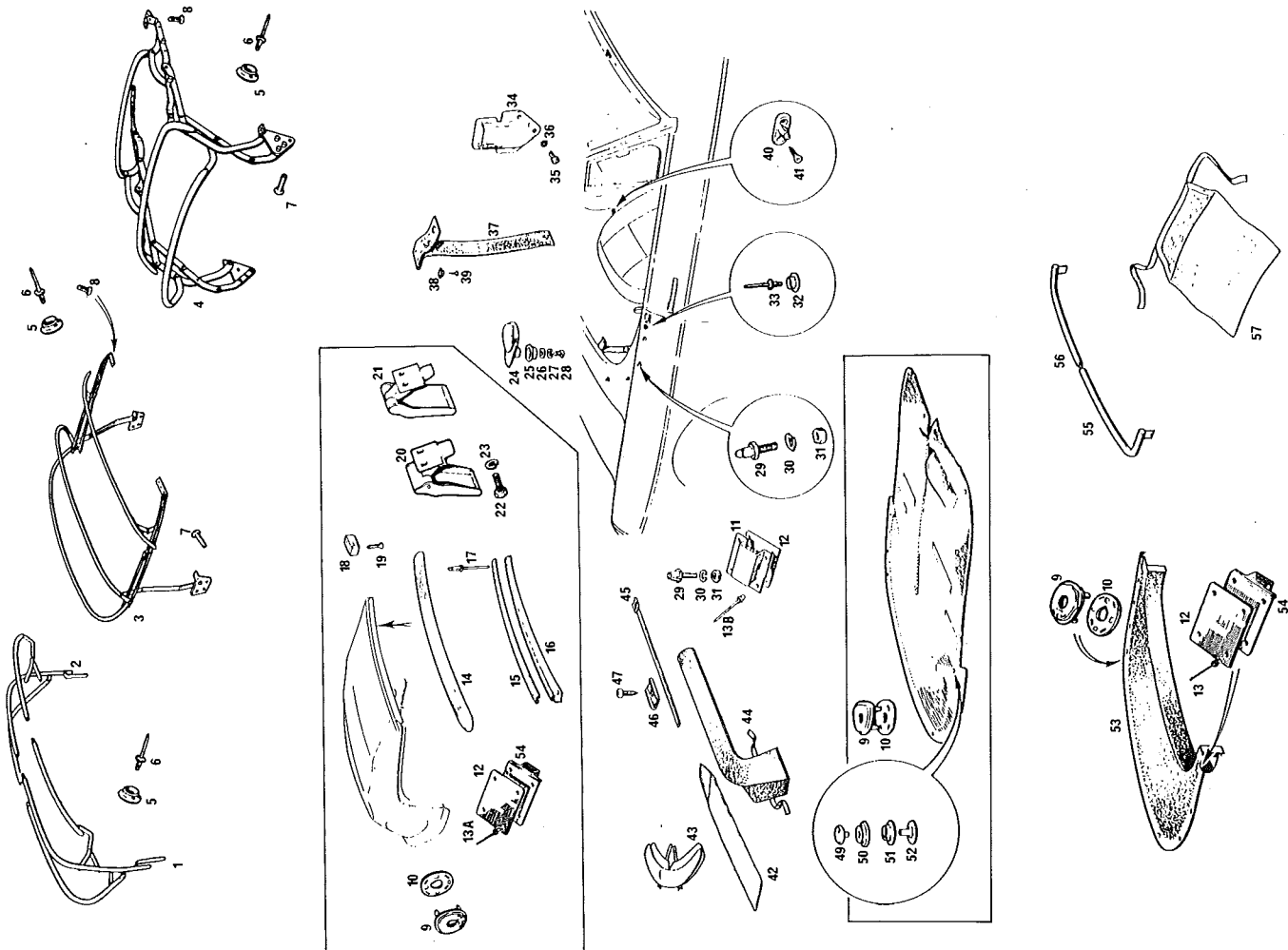
No.	Part No.	Qty	Description	Remarks
RB001	AHH6109	1	RH Hood Frame] Packaway Hood Deluxe Hood
RB002	AHH6110	1	LH Hood Frame	
RB003	8G9288	1	Grey Folding Hood Frame	
RB004	BHH346	1	Black Folding Hood Frame	
RB005	610624	A/R	Stud	
RB006	BHH346PR	A/R	Rivet	
RB007	CMZ428	6	Frame To Body Screw] Packaway Hood
RB008	SF604041	6	Frame To Header Rail Screw	
RB009	552650	8	Liftadot Socket	
RB010	552651	8	Backplate	
RB011	AHH6883	2	Fastener Socket	
RB012	AHH6882	2	Fastener Backplate	
RB013A	RA608176	8	Rivet	
RB013B	RA608126	8	Rivet	
RB014	BHH496	1	Header Rail	
RB015	AHH6440	1	Header Rail Seal Retainer	
RB016	BHH2273	1	Header Rail Seal] Packaway Hood
RB017	GHF600	15	Rivet	
RB018	AHH6439	2	Header Rail Pad	
RB019	AC606041	4	Screw	
RB020	AHH6262	2	Hood Fastener	
RB021	AHA9772	2	Hood Fastener	
RB022	53K126	4	Hood Fastener Screw	
RB023	WL700101	4	Spring Washer	
RB024	14B1730	2	Rear Hood Retainer	
RB025	AAA5130	2	Cup Washer	
RB026	GHF306	4	Plain Washer	
RB027	WL700101	4	Spring Washer	
RB028	PMZ305	4	Screw	
RB029	97HY17	8	Fastener Peg	
RB030	WL700101	8	Spring Washer	
RB031	GHF206	8	Nut	
RB032	610624	2	Tonneau Stud	
RB033	RA610166	2	Rivet	
RB034A	AHH8391	2	Hood Tonneau Rail Locating Socket] Packaway Hood
RB034B	BHH611	2	Tonneau Rail Locating Socket	
RB035	SE604063	6	Screw	
RB036	GHF331	6	Spring Washer	
RB037	BHH913	2	Hood Stowage Strap	
RB038	FWP208	4	Cup Washer	
RB039	AD608043	4	Screw	
RB040	LFP116	4	Peg Fastener	
RB041	RTP604	8	Screw	
RB042	AHH6755	1	Hood Stowage Bag	
RB043	AHH6754	1	Hood Frame Stowage Bag	
RB044	AHH6757	1	Tonneau Rail Stowage Bag	
RB045	AHA5217	2	Hood Stowage Strap	
RB046	AHH6866	4	Plate	
RB047	AB608041	4	Screw	



Section RB. Continued

Hood Fittings, Tonneau And Hood Covers

No.	Part No.	Qty	Description	Remarks
RB048A	AHH6823	1	Tonneau Cover	No Headrest Up to '73
RB048B	BHH1032	1	Tonneau Cover	No Headrest, Seat Belt Mountings On Rear Deck '73-'74
RB048C	BHH542	1	Tonneau Cover	Large Headrests '70-'73
RB048D	BHH1042	1	Tonneau Cover	Large Headrests, Seat Belt Mountings On Rear Deck '73-'74
RB048E	BHH1727	1	Tonneau Cover	Large Headrests, Seat Belt Mountings On Rear Deck '75-'76
RB048F	BHH1726	1	Tonneau Cover	No Headrests, Seat Belt Mountings On Rear Deck '75-'76
RB048G	BHH2067	1	Tonneau Cover	Headrests, Seat Belt Mountings On Rear Deck '76-'77
RB048H	BHH2192	1	Tonneau Cover	Small Headrests '77 on
RB049	7H9864	6	Button	
RB050	7H9866	6	Stud	
RB051	610624	A/R	Stud	
RB052	7H9868	A/R	Eyelet	
RB053A	AHH9258	1	Hood Stowage Cover	Up to GHN5 219000
RB053B	BHH1050	1	Hood Stowage Cover	GHN5 219001 to 435320
RB053C	BHH1048	1	Hood Stowage Cover	GHN5 435321 on
RB054	AHH6884	2	Hood Fastener Tongue	
RB055	AHH6529	1	RH Support Rail	
RB056	AHH6530	1	LH Support Rail	
RB057	AHH9276	1	Tonneau Cover Stowage Bag	



Section RC.

Seat Covers and Foams

Type 1 MGB 1962-1968

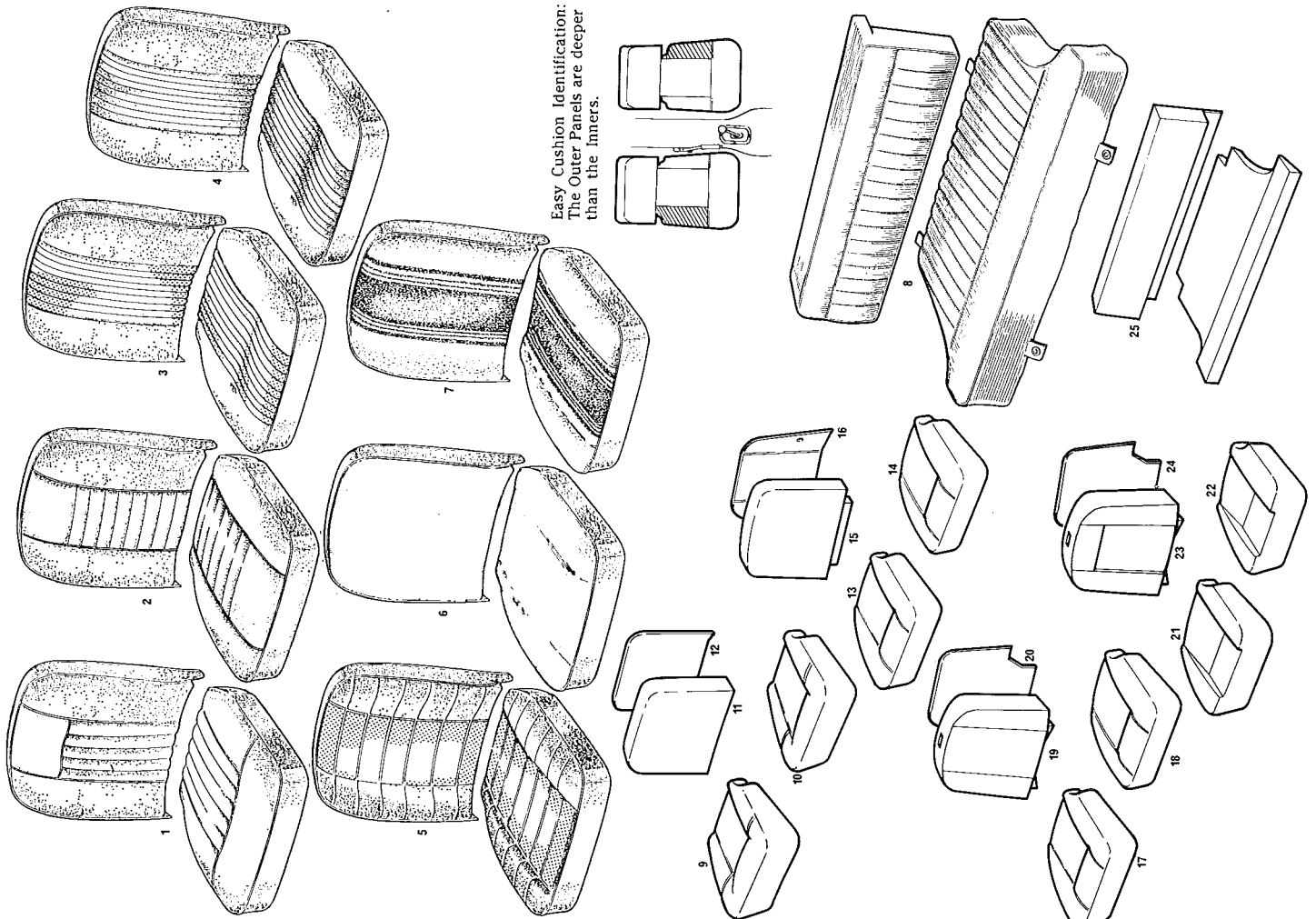
This style of seat has a fixed back and has piping which contrasts to the main seat facing colour. Like the originals our seats have Connolly leather hide facings, but we are able to provide an economy option with vinyl facings. These covers fit both Roadster and GT models.

No.	Part No.	Qty	Description
RC001A	SCA4001	1	Fixed Leather Black/Red Piping
RC001B	SCA4003	1	Fixed Leather Black/White Piping
RC001C	SCA4005	1	Fixed Leather Black/Blue Piping
RC001D	SCL4005	1	Fixed Leather Blue/Blue Piping
RC001E	SCR4011	1	Fixed Leather Red/Black Piping
RC001F	SCR4015	1	Fixed Leather Red/White Piping
RC001G	SCA4002	1	Fixed Vinyl Black/Red Piping
RC001H	SCA4004	1	Fixed Vinyl Black/White Piping
RC001I	SCA4006	1	Fixed Vinyl Black/Blue Piping
RC001J	SCL4006	1	Fixed Vinyl Blue/Blue Piping
RC001K	SCR4012	1	Fixed Vinyl Blue/Black Piping
RC001L	SCR4016	1	Fixed Vinyl Red/White Piping

Type 2 MGB 1969 only

This style of seat was fitted for one year only and is a reclining type with leather facings; it was available only with black piping. Economy option is available with vinyl facings. During 1969 a few vehicles were manufactured with Mushroom coloured seat covers. These are very rare and we have no plans to add this to our range at present. These covers fit both Roadster and GT models.

No.	Part No.	Qty	Description
RC002A	SCA4007	1	Recliner Leather Black/Black Piping
RC002B	SCA4008	1	Recliner Vinyl Black/Black Piping



Section RC Continued

Seat Covers & Foams

Type 3 MGB Roadster 1970-1973 & MGB GT 1970

In 1970 the interior trim style was revamped by MG (who had by now become part of British Leyland) to a type with all vinyl trim for both Roadster and GT. The reclining seat has a fluted centre panel with the so called 'basket weave' pattern. The outer panels are of plain vinyl. At this time the colour range was expanded with the addition of navy, ochre and autumn leaf.

No.	Part No.	Qty	Description
RC003A	SCA4009	1	Recliner Vinyl Black 1970-71
RC003B	SCK4009	1	Recliner Vinyl Autumn Leaf 1971-72
RC003C	SCT4009	1	Recliner Vinyl Ochre 1973
RC003D	SCN4009	1	Recliner Vinyl Navy 1972-73

Type 4 MGB GT 1971-1973

This seat was unique to the MGB GT and was introduced at the same time as the introduction of plastic mouldings on the door trim panels. The seat back had outer panels of vinyl but with a fluted centre panel of brushed nylon.

No.	Part No.	Qty	Description
RC004A	SCA5010	1	Recliner Vinyl/Nylon Black 1971
RC004B	SCK5010	1	Recliner Vinyl/Nylon Autumn Leaf 1971-72
RC004C	SCT5010	1	Recliner Vinyl/Nylon Ochre 1973
RC004D	SCN5010	1	Recliner Vinyl/Nylon Navy 1972-73

Type 5 MGB Roadster 1973-1976

This style of seat is all vinyl and was fitted to Roadster models only. It has an embossed centre with welded stitching across the centre and outer panels.

No.	Part No.	Qty	Description
RC005A	SCA4012	1	Recliner Vinyl Black 1974-76
RC005B	SCK4012	1	Recliner Vinyl Autumn Leaf 1974-76
RC005C	SCT4012	1	Recliner Vinyl Ochre 1973
RC005D	SCN4012	1	Recliner Vinyl Navy 1973

Type 6 MGB GT 1973-1976

This style corresponds to the Roadster version but has a facing panel of a; nylon material with double stitched finish. Navy and Ochre were discontinued in 1974.

No.	Part No.	Qty	Description
RC006A	SCA5011	1	Recliner Nylon Black 1974-76
RC006B	SCK5011	1	Recliner Nylon Autumn Leaf 1974-76
RC006C	SCT5011	1	Recliner Nylon Ochre 1973
RC006D	SCN5011	1	Recliner Nylon Navy 1973

Section RC Continued

Seat Covers & Foams

Type 7 MGB 1976-1980

When the interior styling was changed to the door panels with large circular markings of winder handle sweep, the last style of seat cover with multi coloured facings was introduced, affectionately known as 'deck chair' models. They were supplied in either silver/grey or orange/brown combinations. These were fitted to both Roadster and GT models.

No.	Part No.	Qty	Description
RC007A	SCO4011	1	Recliner Nylon Orange/Brown
RC007B	SCG4012	1	Recliner Nylon Silver/Grey

MGB GT Rear Seat Kit 1965-1980

All kits comprise the following:

- Seat cushion cover
- Seat back cover
- Hardura (felt backing) for under cushion
- Two retaining straps fitted with lift-a-dot fasteners
- Finishing strip for bottom of the seat back

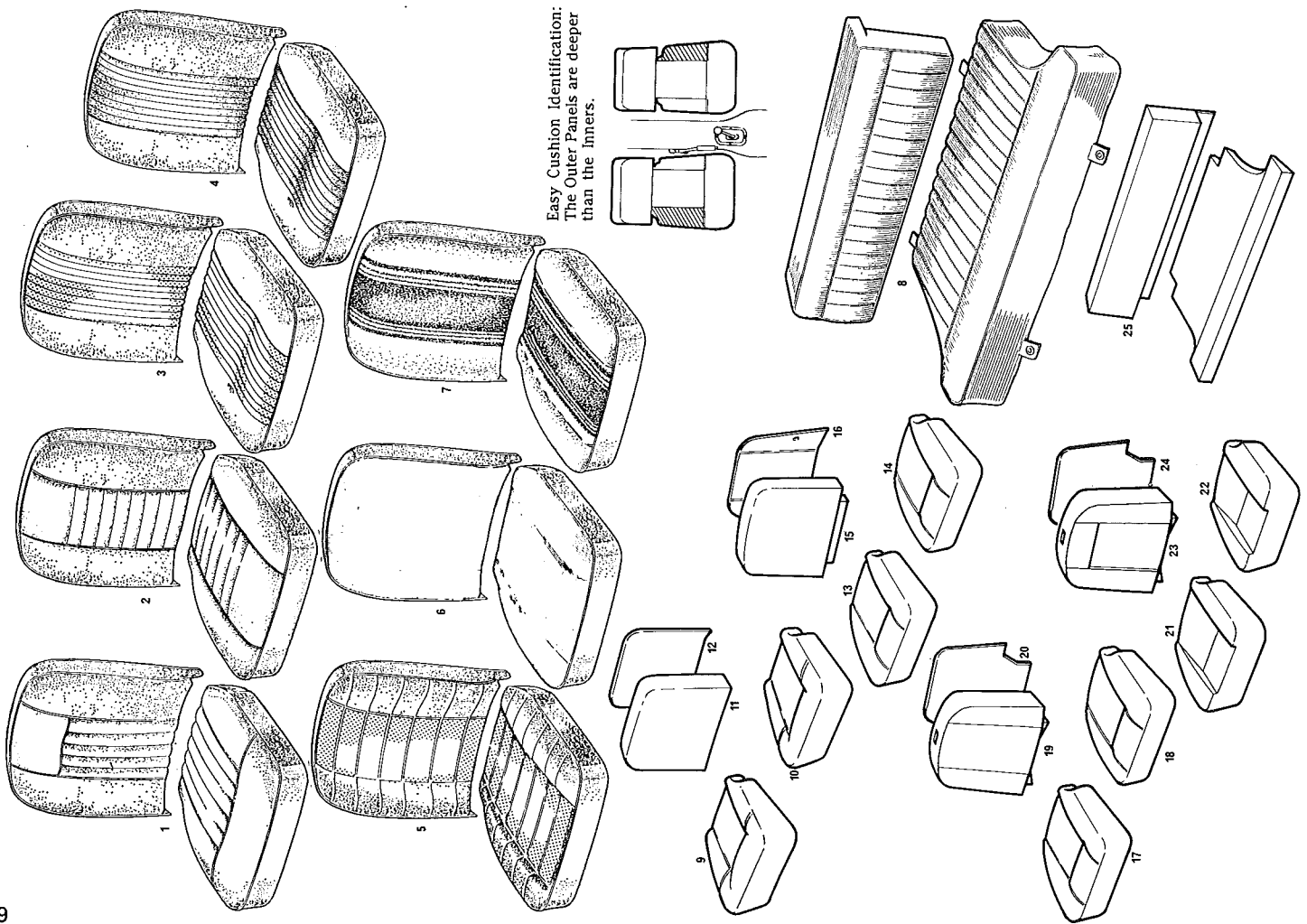
No.	Part No.	Qty	Description
RC008A	SCA5002	1	Vinyl Black with Red Piping 1965-68
RC008B	SCA5004	1	Vinyl Black with White Piping 1965-68
RC008C	SCA5006	1	Vinyl Black with Blue Piping 1965-68
RC008D	SCL5006	1	Vinyl Blue with Blue Piping 1965-68
RC008E	SCR5014	1	Vinyl red with Black Piping 1965-68
RC008F	SCR5017	1	Vinyl red with White Piping 1965-68
RC008G	SCA5008	1	Vinyl Black with Black Piping 1969-70
RC008H	SCA5009	1	Vinyl/Basket Weave Black 1970-71
RC008I	SCK5009	1	Vinyl/Basket Weave Autumn Leaf 1970-71
RC008J	SCT5009	1	Vinyl/Basket Weave Ochre 1970-71
RC008K	SCN5009	1	Vinyl/Basket Weave Navy 1970-71
RC008L	SCA5012	1	Vinyl/Nylon Black 1971-73
RC008M	SCK5012	1	Vinyl/Nylon Autumn Leaf 1971-73
RC008N	SCT5012	1	Vinyl/Nylon Ochre 1971-73
RC008O	SCN5012	1	Vinyl/Nylon Navy 1971-73
RC008P	SCA5013	1	Nylon Black 1973-76
RC008Q	SCK5013	1	Nylon Autumn Leaf 1973-76
RC008R	SCT5013	1	Nylon Ochre 1973-76
RC008S	SCN5013	1	Nylon Navy 1973-76
RC008T	SCO5010	1	Nylon Orange/Brown 1976-80
RC008U	SCG5011	1	Nylon Silver/Grey 1976-80

Section RC Continued

Seat Covers & Foams

Seat Foams

No.	Part No.	Qty	Description	Remarks
RC009	AHH7037	1	Cushion RH	1962-68 Type 1 Seats
RC010	AHH7038	1	Cushion LH	
RC011	AHH7036	2	Squab	1969 Only Type 2 Seats
RC012	SBB3001	2	Squab Stiffener	
RC013	AHH9970	1	Cushion RH	1970-73 Type 3/4 Seats
RC014	AHH9971	1	Cushion LH	
RC015	AHH9681	2	Squab	1973 On Type 5/6/7 Seats
RC016	SBB3002	2	Squab Stiffener	
RC017	AHH9970	1	Cushion RH	GT 1965-72 GT 1973 On
RC018	AHH9971	1	Cushion LH	
RC019	AHH9969	2	Squab	
RC020	AHH9969	2	Squab Stiffener	
RC021	BHH922	1	Cushion RH	
RC022	BHH923	1	Cushion LH	
RC023	BHH1398	2	Squab	
RC024	SBB3003	2	Squab Stiffener	
RC025A	AHH9682C	1	Rear Seat Foam Set	
RC025B	BHH921C	1	Rear Seat Foam Set	



Section RD.

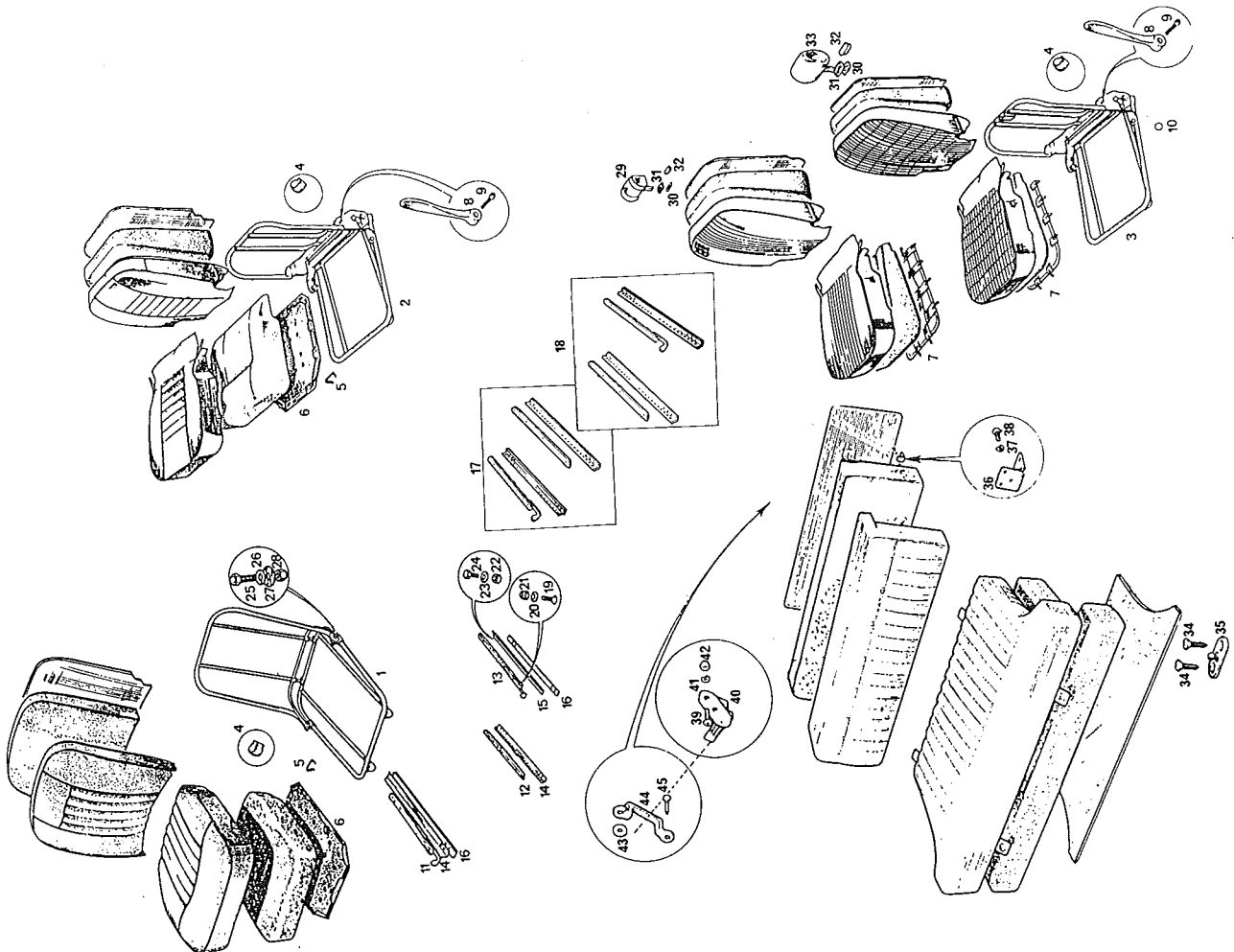
Seat Hardware and Frames.

Front Seats

No.	Part No.	Qty	Description	Remarks
RD001A	AHH6583	1	Seat Frame, Non-Reclining RH	Up to GHN/D4 158230
RD001B	AHH6584	1	Seat Frame, Non-Reclining LH	
RD002A	AHH9290	1	Seat Frame, Reclining RH	
RD002B	AHH9291	1	Seat Frame, Reclining LH	GHN/D4 158231 to 187840
RD003A	BHH343	1	Seat Frame, Reclining RH	
RD003B	BHH344	1	Seat Frame, Reclining LH	GHN/D4 187840 On
RD004	BHA4339	A/R	Seat Cover Clip	Up to GHN/D4 158370
RD005	BHA5097	20	Diaphragm to Frame Hook	
RD006	AHA7878	2	Cushion Diaphragm	GHN/D4 158371 On
RD007	BHH580	2	Seat Webbing	
RD008	24B4057	2	Rake Adjuster	GHN/D4 158230 On
RD009	54K205	2	Screw	
RD010	24K6809	2	Tilt Knob Handle	One RH, One LH Runner Per Seat
RD011	BHH687	1	Slide With Catch RH	
RD012	BHH719	2	Seat Slide	Contains RD011/12/14/15 Contains RD012/13/14/15
RD013	BHH688	1	Slide With Catch LH	
RD014	BHH741	2	Floor Runner RH	One RH, One LH Runner Per Seat
RD015	BHH742	2	Floor Runner LH	
RD016A	AHH6160W	4	Wooden Slat, Runner To Floor	Contains RD011/12/14/15 Contains RD012/13/14/15
RD016B	AHH6939	8	Spacer Tube For Above	
RD017	MM454-115	1	RH Seat Runner Set	Non-Reclining Seats Only
RD018	MM454-105	1	LH Seat Runner Set	
RD019	SF604101	8	Slide To Frame Countersunk Screw	Non-Reclining Seats Only
RD020	GHF300	8	Plain Washer	
RD021	GHF221	8	Slide To Frame Locknut	Non-Reclining Seats Only
RD022	GHF200	8	Replacement Captive Nut	
RD023	GHF321	8	Shakeproof Washer	Non-Reclining Seats Only
RD024	GHF101	8	Runner To Floor Screw	
RD025	GHF103	4	Screw	Non-Reclining Seats Only
RD026	GHF301	4	Plain Washer	
RD027	PWZ305	4	Plain Washer	Non-Reclining Seats Only
RD028	GHF222	4	Nut	

Head Restraints

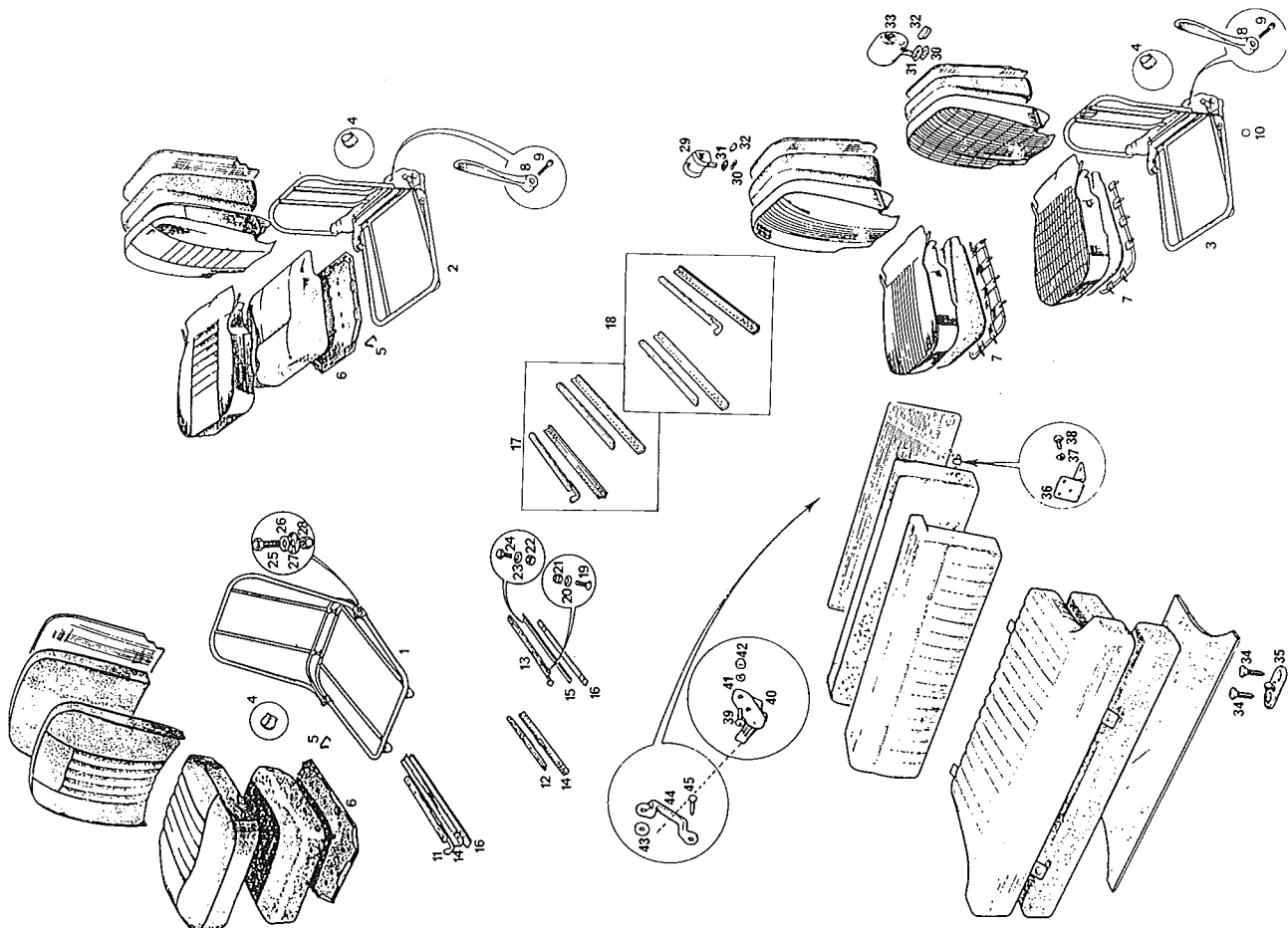
No.	Part No.	Qty	Description	Remarks
RD029A	GLZ135	2	Head Restraint, Black	GHN/D5 187211 to 386600
RD029B	GLZ133	2	Head Restraint, Autumn Leaf	
RD029C	GLZ127	2	Head Restraint, Navy	GHN/D5 187211 On
RD029D	GLZ131	2	Head Restraint, Ochre	
RD030	CZA4500	2	Eyelet	GHN/D5 187211 to 386600
RD031	CZA4263	2	Finishing Washer	
RD032A	BHA4985	2	Blanking Plug, Black	GHN/D5 386601 on GHN/D5 386601 to 410000
RD032B	AHA9779	2	Blanking Plug, Autumn Leaf	
RD032C	XGN1953	2	Blanking Plug, Navy	GHN/D5 386601 on GHN/D5 386601 to 410000
RD032D	XGT1953	2	Blanking Plug, Ochre	
RD033A	HRA0001	2	Head Restraint, Black	GHN/D5 386601 on GHN/D5 386601 to 410000
RD033B	HRK0001	2	Head Restraint, Autumn Leaf	



Section RD. Continued.

Seat Hardware and Frames.

No.	Part No.	Qty	Description	Remarks
Rear Seat (GT)				
RD034	RTP604	8	Screw	
RD035	LFP116	4	Peg	
RD036	BHH976	2	Hinge-Squab To Rear Floor	
RD037	WL700101	6	Spring Washer	
RD038	PMZ308	6	Screw	
RD039	PMZ307	4	Screw	
RD040	AHH7740	2	Squab Catch	
RD041	WL700101	4	Spring Washer	
RD042	14B7889	4	Domed Nut	
RD043	GHF306	4	Plain Washer	
RD044	AHH7770	2	Securing Staple	
RD045	AD608053	4	Screw	



Section RE.

Interior Trim

Our interior trim kits are all made from original colour vinyls of correct specification mounted on accurately die cut boards. Much time and money has been invested in producing exact replacement parts including the tooling to produce original heat formed patterns.

MGB Roadster Kit contains:

- 1 Pair Door Panels
- 1 Pair front Kick Panels
- 1 Pair Rear Quarter Panels
- Rear Bulkhead Panel
- Panel behind Radio Console
- Extra material for door top cappings and rear cockpit finisher

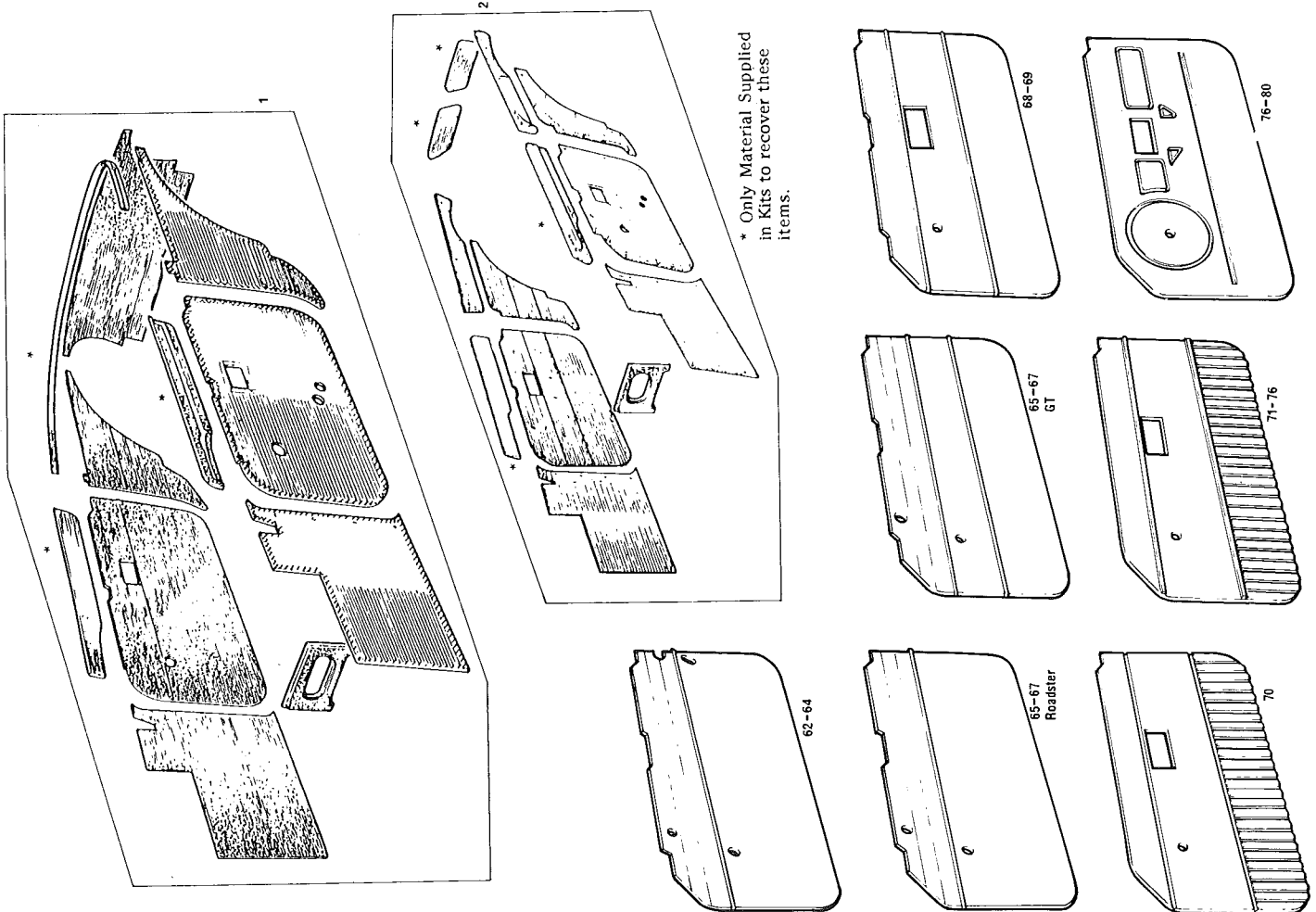
MGB GT Kit contains:

- 1 Pair Door Panels
- 1 Pair Front Kick Panels
- 1 Pair Rear Quarter Panels
- Panel behind Radio Console
- 1 Pair Tailgate Panels
- Extra material for door top cappings and rear 1/4 waist rails

MGB Roadster 1962-1965

These kits are vinyl covered with a main colour of black or red with contrasting piping. The range of colours is illustrated. This kit has a door panel suitable for use with the pull-type exterior handle and has the cut-out for the interior door lock. No extra door capping material is supplied in these kits due to the type of capping fitted to these vehicles.

No.	Part No.	Description
RE001A	TKA4100	Trim Kit Black/Red Piping
RE001A	TKA4104	Trim Kit Black/White Piping
RE001A	TKA4107	Trim Kit Black/Blue Piping
RE001A	TKR4110	Trim Kit Red/Black Piping
RE001A	TKR4113	Trim Kit Red/White Piping
RE001A	TKL4116	Trim Kit Blue/Blue Piping



Section RE Continued

Interior Trim

MGB 3 Synchro 1965-1968

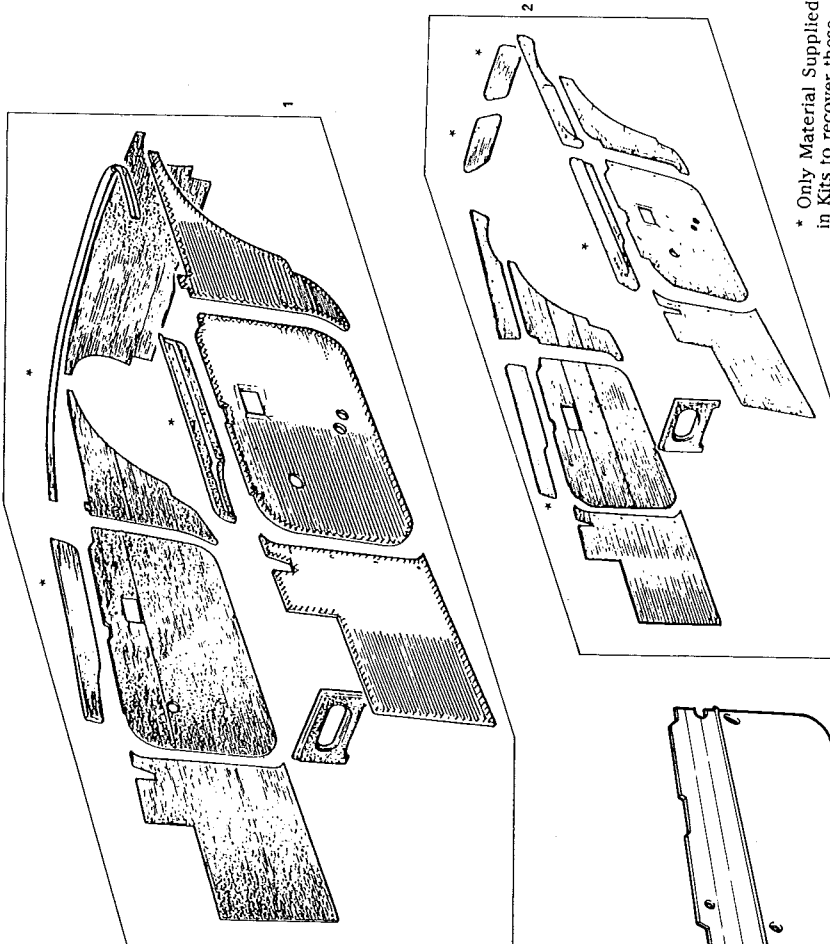
These kits again are vinyl covered in red or black with contrasting piping. The range of colours is illustrated. The kits are suitable for doors with the push button exterior handle. Roadsters have a single line of contrasting piping, whereas GTs have a double line of piping.

No.	Part No.	Description	Remarks
RE001B	TKA4119	Trim Kit Black/Red Piping	Roadster Only
RE001B	TKA4122	Trim Kit Black/White Piping	
RE001B	TKA4125	Trim Kit Black/Blue Piping	GT Only
RE001B	TKR4128	Trim Kit Red/Black Piping	
RE001B	TKR4131	Trim Kit Red/White Piping	
RE001B	TKL4131	Trim Kit Blue/Blue Piping	
RE002A	TKA5000	Trim Kit Black/Red Piping	
RE002A	TKA5001	Trim Kit Black/White Piping	
RE002A	TKA5002	Trim Kit Black/Blue Piping	
RE002A	TKR5003	Trim Kit Red/Black Piping	
RE002A	TKR5004	Trim Kit Red/White Piping	
RE002A	TKL5004	Trim Kit Blue/Blue Piping	

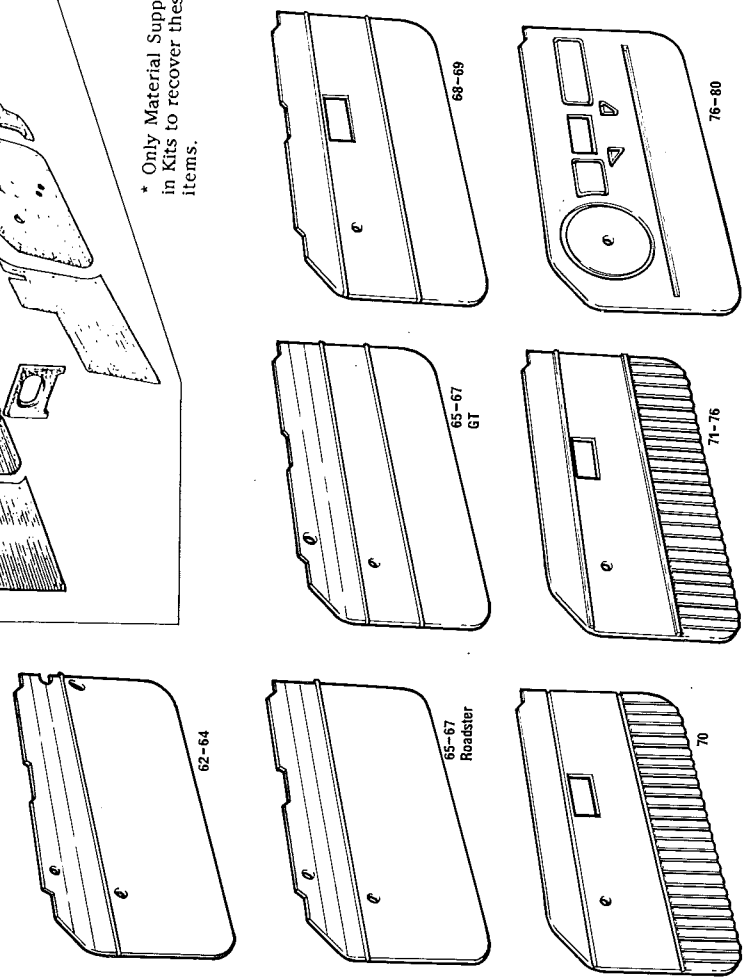
MGB 4 Synchro 1968-1970

The Roadster and GT models share a common Door Panel with two rows of piping; they use the flush fitting interior Door Handle. Black with black piping was only fitted to 1969 vehicles.

No.	Part No.	Description	Remarks
RE001C	TKA4134	Trim Kit Black/Red Piping	Roadster Only
RE001C	TKA4137	Trim Kit Black/White Piping	
RE001C	TKA4140	Trim Kit Black/Black Piping	GT Only
RE001C	TKR4134	Trim Kit Red/White Piping	
RE001C	TKR4138	Trim Kit Red/Black Piping	
RE001C	TKA4128	Trim Kit Black/Blue Piping	
RE001C	TKL4128	Trim Kit Blue/Blue Piping	
RE002B	TKA5005	Trim Kit Black/Red Piping	
RE002B	TKA5006	Trim Kit Black/White Piping	
RE002B	TKA5007	Trim Kit Black/Black Piping	
RE002B	TKR5005	Trim Kit Red/Black Piping	
RE002B	TKR5006	Trim Kit Red/White Piping	
RE002B	TKA5015	Trim Kit Black/Blue Piping	
RE002B	TKL5015	Trim Kit Blue/Blue Piping	



* Only Material Supplied in Kits to recover these items.



Section RE Continued

Interior Trim

MGB 1970 Only

This style was fitted for approximately one year only and was an attempt to update the interior. The only colour available is Black.

No.	Part No.	Description	Remarks
RE001D	TKA4143	Trim Kit Black	Roadster Only
RE002C	TKA5008	Trim Kit Black	GT Only

MGB 1971-1976

As a development of the previous style the 1971 update involved the introduction of plasticchrome mouldings along the Door Panel. The update included the introduction of a new colour range of black, navy, ochre and autumn leaf.

RE001E	TKA4146	Trim Kit Black 1971-76	Roadster Only
RE001E	TKK4149	Trim Kit Autumn Leaf 1971-76	
RE001E	TKT4152	Trim Kit Ochre 1973	
RE001E	TKN4155	Trim Kit Navy 1972-3	GT Only
RE002D	TKA5009	Trim Kit Black 1971-76	
RE002D	TKA5009	Trim Kit Autumn Leaf 1971-76	
RE002D	TKK5010	Trim Kit Ochre 1973	
RE002D	TKT5011	Trim Kit Navy 1972-3	

MGB 1976-1980

In 1976 the final development, a completely different heat formed pattern was introduced. The original specification included holes for speakers. Our backing boards are pre-punched to enable speakers to be fitted but the panel can be used without speaker, this style is easily distinguished by the circular pattern outlining the sweep of the Window Winder handle. Black was the only colour used in the UK.

RE001F	TKA4161	Trim Kit Black	Roadster Only
RE002E	TKA5014	Trim Kit Black	GT Only

Individual Door Panels (RE003, RE004, RH & LH In Illustration)

All door panels from the above kits are available separately.

Part No.	Side	Colour	Piping	Remarks
TKA4102	RH	Black	Red	Roadster Only 1962-65
TKA4103	LH	Black	Red	
TKA4105	RH	Black	White	
TKA4106	LH	Black	White	
TKA4108	RH	Black	Blue	
TKA4109	LH	Black	Blue	
TKR4111	RH	Red	Black	
TKR4122	LH	Red	Black	
TKR4114	RH	Red	White	
TKR4115	LH	Red	White	
TKL4117	RH	Blue	Blue	
TKL4118	LH	Blue	Blue	

Section RE Continued

Interior Trim

Door Boards Continued

Part No.

Side

Colour

Piping

Remarks

TKA4120	RH	Black	Red	Roadster Only 1965-68
TKA4121	LH	Black	Red	
TKA4123	RH	Black	White	
TKA4124	LH	Black	White	
TKA4126	RH	Black	Blue	
TKA4127	LH	Black	Blue	
TKR4129	RH	Red	Black	
TKR4130	LH	Red	Black	
TKR4132	RH	Red	White	
TKR4133	LH	Red	White	
TKL4132	RH	Blue	Blue	
TKL4133	LH	Blue	Blue	
TKA5120	RH	Black	Red	
TKA5121	LH	Black	Red	
TKA5123	RH	Black	White	
TKA5124	LH	Black	White	
TKA5126	RH	Black	Blue	
TKA5127	LH	Black	Blue	
TKR5129	RH	Red	Black	
TKR5130	LH	Red	Black	
TKR5132	RH	Red	White	
TKR5133	LH	Red	White	
TKL5132	RH	Blue	Blue	
TKL5133	LH	Blue	Blue	
TKA4135	RH	Black	Red	All Models 1968-70
TKA4136	LH	Black	Red	
TKA4138	RH	Black	White	
TKA4139	LH	Black	White	
TKA4129	RH	Black	Blue	
TKA4130	LH	Black	Blue	
TKA4141	RH	Black	Black	
TKA4142	LH	Black	Black	
TKR4135	RH	Red	White	
TKR4136	LH	Red	White	
TKR4139	RH	Red	Black	
TKR4140	LH	Red	Black	
TKL4129	RH	Blue	Blue	
TKL4130	LH	Blue	Blue	
TKA4144	RH	Black	---	
TKA4145	LH	Black	---	
TKT4153	RH	Ochre	Chrome	All Models 1970 Only
TKT4154	LH	Ochre	Chrome	
TKN4156	RH	Navy	Chrome	
TKN4157	LH	Navy	Chrome	
TKA4147	RH	Black	Chrome	
TKA4148	LH	Black	Chrome	
TKK4150	RH	Autumn Leaf	Chrome	
TKK4151	LH	Autumn Leaf	Chrome	
TKA4162	RH	Black	All Models	
TKA4163	LH	Black	1976 On	

Section RF.

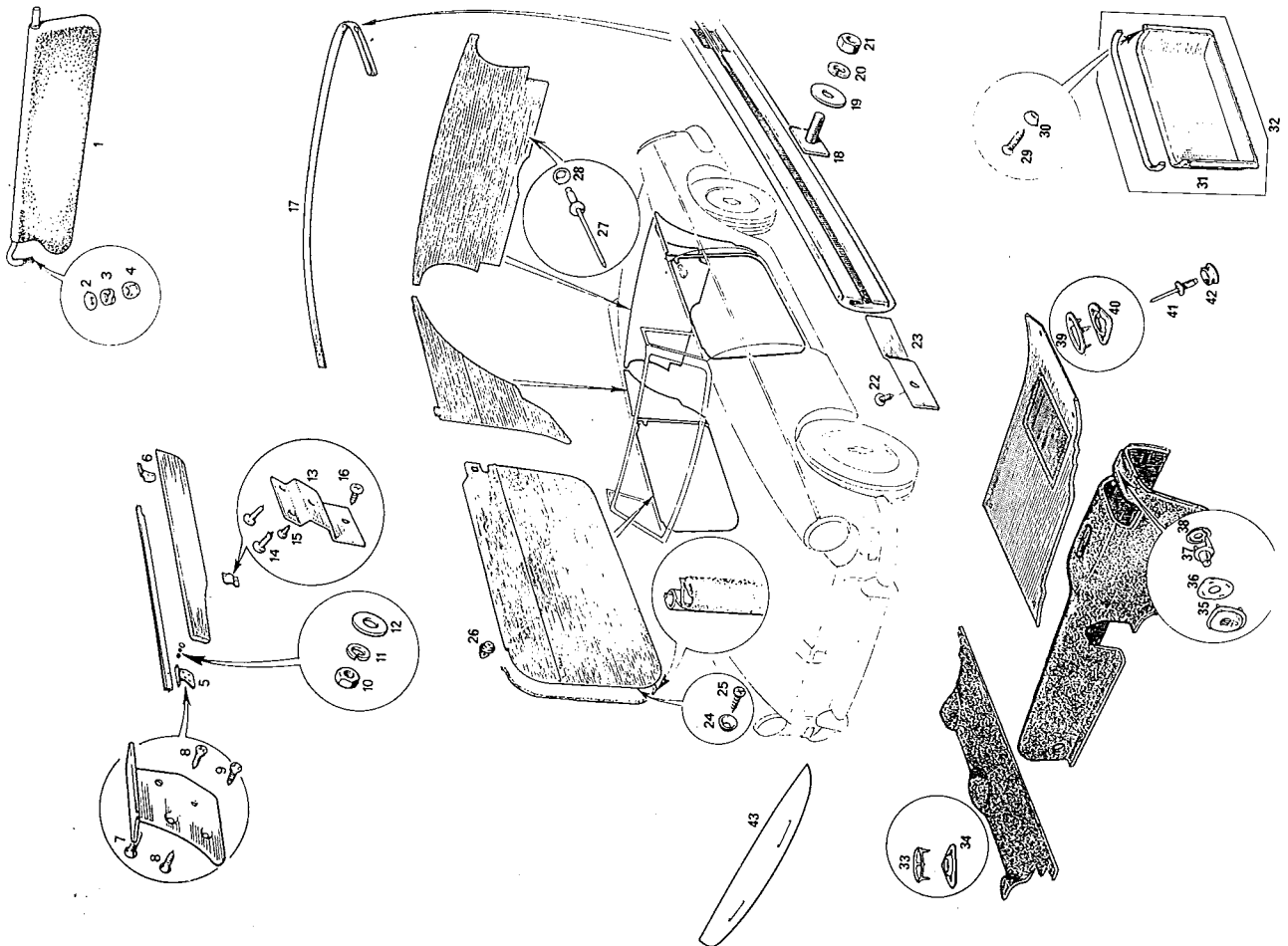
Interior Hardware, Roadster.

RF001A	BHH2166	1	Sunvisor RH
RF001B	BHH2169	1	Sunvisor LH
RF001C	GAC4021	1	Sunvisor Kit Includes fittings
RF002	AHH8799	2	Spherical Washer
RF003	AJD7721Z	2	Spring Washer
RF004	NY910041	2	Nut
RF005A	AHH6422	1	Finisher, RH Front
RF005B	AHH6423	1	Finisher, LH Front
RF006A	AHH6424	1	Finisher, RH Rear
RF006B	AHH6425	1	Finisher, LH Rear
RF006C	AHH6422C	1	Car Set of 4 Finishers
RF007	CMZ310	4	Screw
RF008A	AC608041	8	Screw
RF008B	GHF402	4	Screw
RF009	GBK3005	1	Finisher Screw Set
RF010	GHF206	12	Nut
RF011	WL700101	12	Spring Washer
RF012	PWZ203	12	Plain Washer
RF013	HZA230	2	Waist Rail Tab
RF014	AB606051	4	Screw
RF015	AB606021	2	Screw
RF016	AB608031	2	Screw
RF017A	AHH6416	1	Cockpit Moulding
RF017B	AHH6416A	1	Moulding Cover, Black
RF018	AHH6417	9	Moulding Stud Plate
RF019	PWZ203	9	Plain Washer
RF020	WL700101	9	Spring Washer
RF021	GHF206	9	Nut
RF022	PTZ803	2	Screw
RF023	AHH6418	2	Moulding End Plate
RF024	FWP406	A/R	Cup Washer
RF025A	AD606054	A/R	Screw
RF025B	GBK3004	1	Trim Fixing Kit
RF026	GHF1222	26	Door Trim Clip - 13 per door

With Mirror
With Pocket
1962-80: Refer to OA
for list of fittings

'62-'64 models only

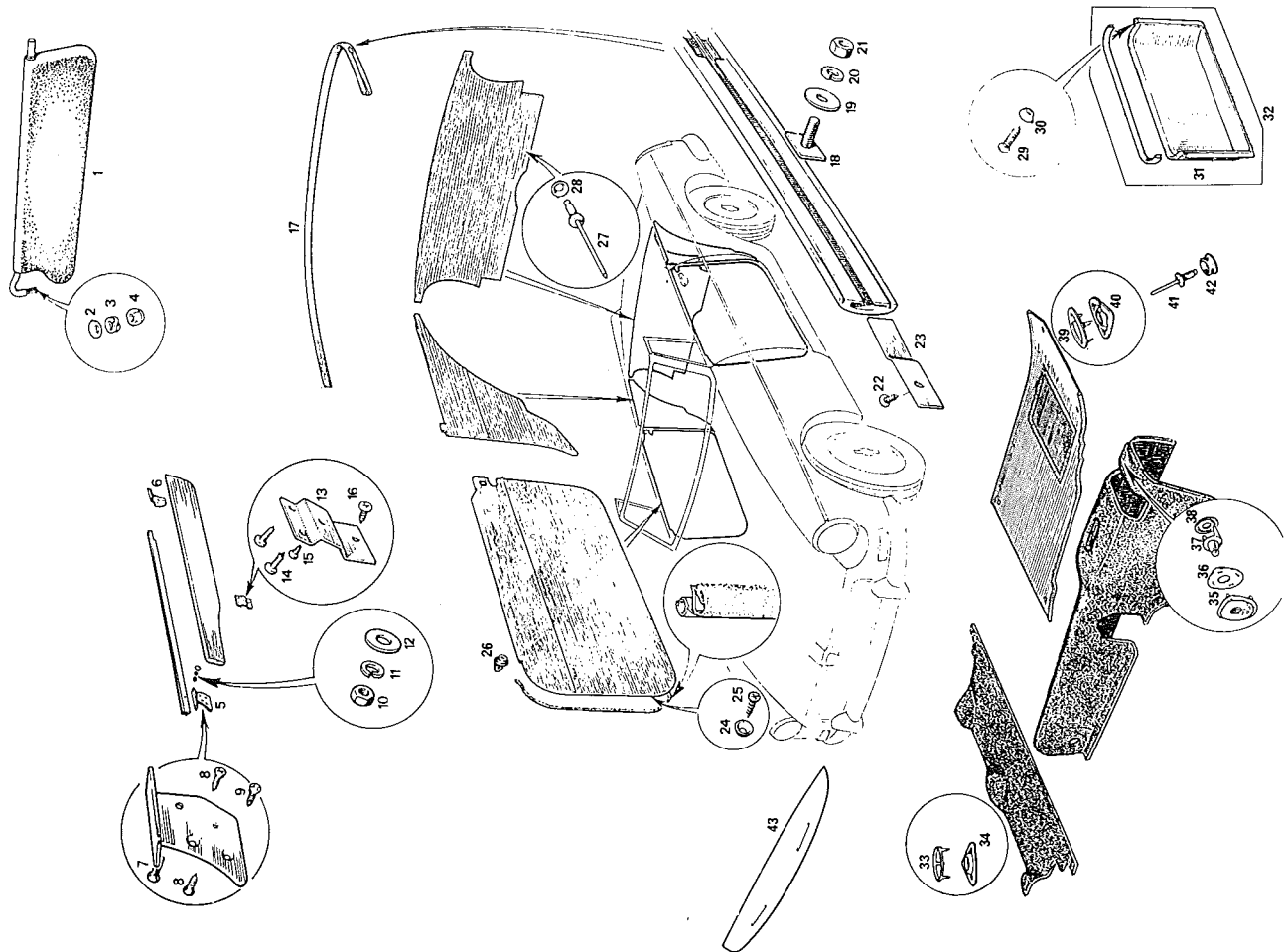
Contains Sufficient Screws And
Washers For One Interior Trim
Kit 1962-69
1970 On Models. Add to RE025B
To Make Fixing Kit For 1970
On Models.



Section RF Continued

Interior Hardware, Roadster

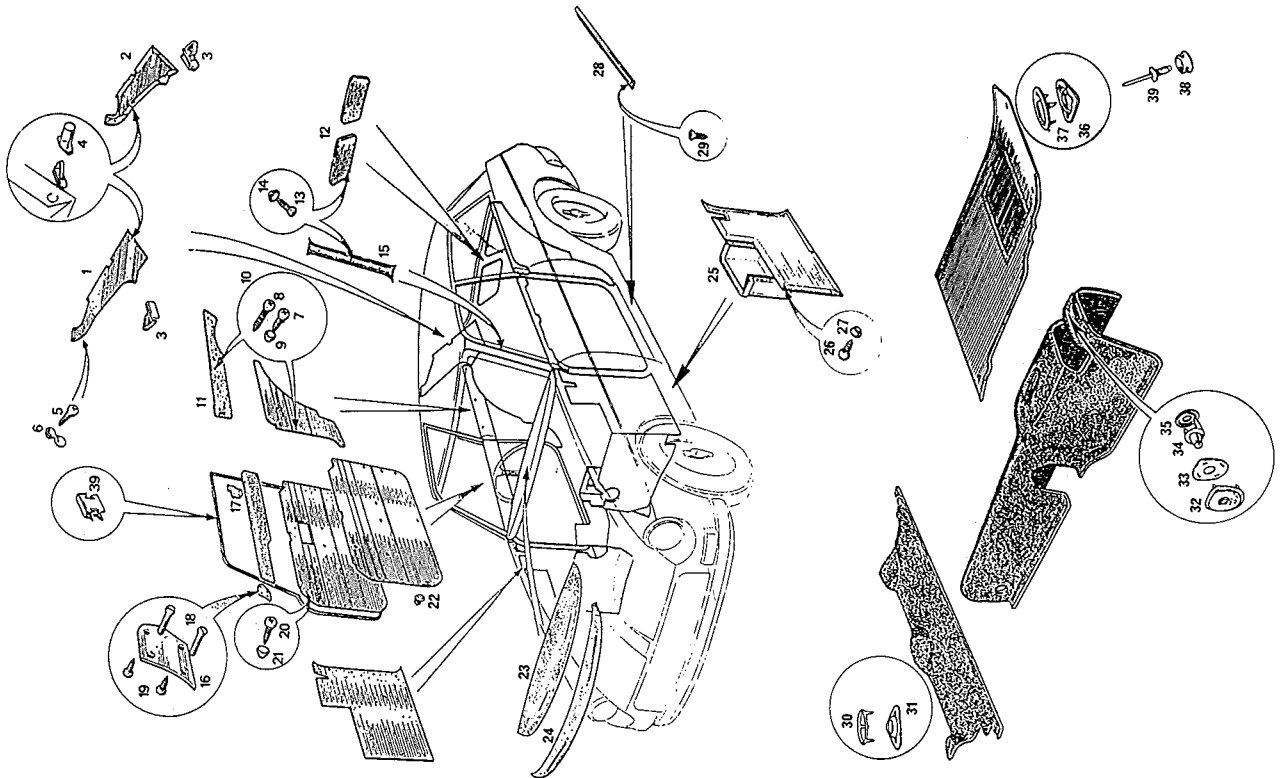
No.	Part No.	Qty	Description	Remarks
RF027	GHF600	8	Rivet	
RF028	AD606071	8	Cup Washer	
RF029	AD606071	2	Screw	
RF030	FWP906	2	Cup Washer	
RF031A	XGA2917WO	1	Map Pocket, Black	Export Only Without Finisher
RF031B	XGR2917WO	1	Map Pocket, Red	
RF031C	XGK2917WO	1	Map Pocket, Autumn Leaf	Export Only With Finisher
RF031D	XGN2917WO	1	Map Pocket, Navy	
RF031E	XGT2917WO	1	Map Pocket, Ochre	
RF032A	XGA2917	1	Map Pocket, Black	
RF032B	XGR2917	1	Map Pocket, Red	
RF032C	XGK2917	1	Map Pocket, Autumn Leaf	
RF032D	XGN2917	1	Map Pocket, Navy	
RF032E	XGT2917	1	Map Pocket, Ochre	
RF033	14G8736	6	Spiked Ring	
RF034	2H8445	6	Socket	
RF035	552650	1	Socket	
RF036	552651	1	Washer	
RF037	BHA4355	1	Stud	
RF038	LFP1500	1	Washer	
RF039	14G8736	8	Spiked Ring	
RF040	2H8445	8	Socket	
RF041	DMP829	8	Rivet	
RF042	610624	8	Cup Washer	
RF043	AHH7597X	1	Scuttle Liner Material	Chrome Bumper
RF044	X2A3415X	1	Scuttle Liner Material	Rubber Bumper



Section RG.

Interior Trim Hardware, GT.

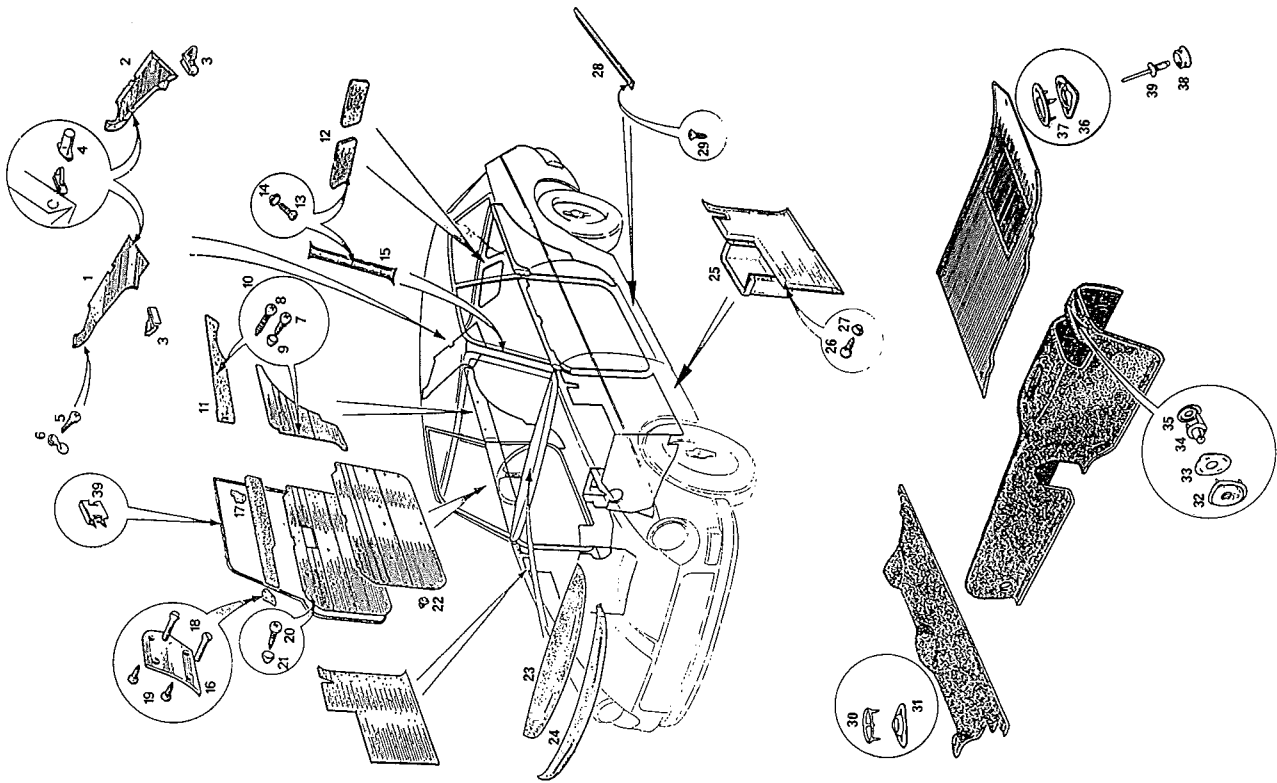
No.	Part No.	Qty.	Description	Remarks
RG001A	AHH7618	1	'C' Post Finisher RH, Beige	Up to GHD4 158230 GHD4 158230 to 410000 GHN/D5 410001 on
RG001B	AHH7620	1	'C' Post Finisher RH, Grey	
RG001C	HLK5022	1	'C' Post Finisher RH, Grey	
RG001D	HLK5024	1	'C' Post Finisher RH, Grey/Black	
RG002A	AHH7619	1	'C' Post Finisher LH, Beige	
RG002B	AHH7621	1	'C' Post Finisher LH, Grey	Up to GHD4 158230 GHD4 158231 to 410000 GHN/D5 410001 on
RG002C	HLK5023	1	'C' Post Finisher LH, Grey	
RG002D	HLK5025	1	'C' Finisher LH, Grey/Black	
RG003	ADU4235	A/R	Clip	Contains Screws and Washers For One Interior Trim Kit
RG004	14G6728	A/R	Flanged Cup	
RG005	AD606053	2	Screw	
RG006A	BHA4561	2	Screw Cap, Beige	
RG006B	ADE9913	2	Screw Cap, Grey	
RG007	AD606083	A/R	Screw	
RG008	AD606102	A/R	Screw	
RG009	FWP906	A/R	Cup Washer	
RG010	GBK3004	1	Trim Fitting Kit	
RG011A	X2A9454	1	Rear Quarter Waistrail RH	
RG011B	X2A9455	1	Rear Quarter Waistrail LH	Autumn Leaf
RG011C	X2K9454	1	Rear Quarter Waistrail RH	Navy
RG011D	X2K9455	1	Rear Quarter Waistrail LH	Ochre
RG011E	X2N9454	1	Rear Quarter Waistrail RH	Contains Sufficient Screws For One Waistrail
RG011F	X2N9455	1	Rear Quarter Waistrail LH	
RG011G	X2T9454	1	Rear Quarter Waistrail RH	
RG011H	X2T9455	1	Rear Quarter Waistrail LH	
RG012A	AHH7964X	1	Tailgate Liner Backing Plate RH	
RG012B	AHH7965X	1	Tailgate Liner Backing Plate LH	
RG013	AD606054	12	Screw	
RG014	FWP906	12	Cup Washer	
RG015A	X3A2970	1	'A' Post Finisher RH	
RG015B	X3A2971	1	'A' Post Finisher LH	
RG016A	AHH7844	1	Front Waistrail Finisher RH	Contains Sufficient Screws And Washers For One Interior Trim Kit 1962-69
RG016B	AHH7845	1	Front Waistrail Finisher LH	
RG017A	AHH7846	1	Rear Waistrail Finisher RH	
RG017B	AHH7847	1	Rear Waistrail Finisher LH	
RG017C	AHH7844C	1	Waistail Finisher Set	
RG018	CMZ310	4	Screw	
RG019A	AC68041	8	Screw	
RG019B	GHF402	4	Screw	
RG019C	GBK3005	2	Finisher Screw Set	
RG020A	AD606054	A/R	Screw	
RG020B	GBK3004	1	Trim Fixing Kit	1970 On Models Add 26 To RF025B To Make Fixing Kit For 1970 On Models
RG021	FWP406	A/R	Cup Washer	
RG022	GHF1222	26	Door Trim Clip - 13 per door	



Section RG Continued

Interior Trim Hardware, GT

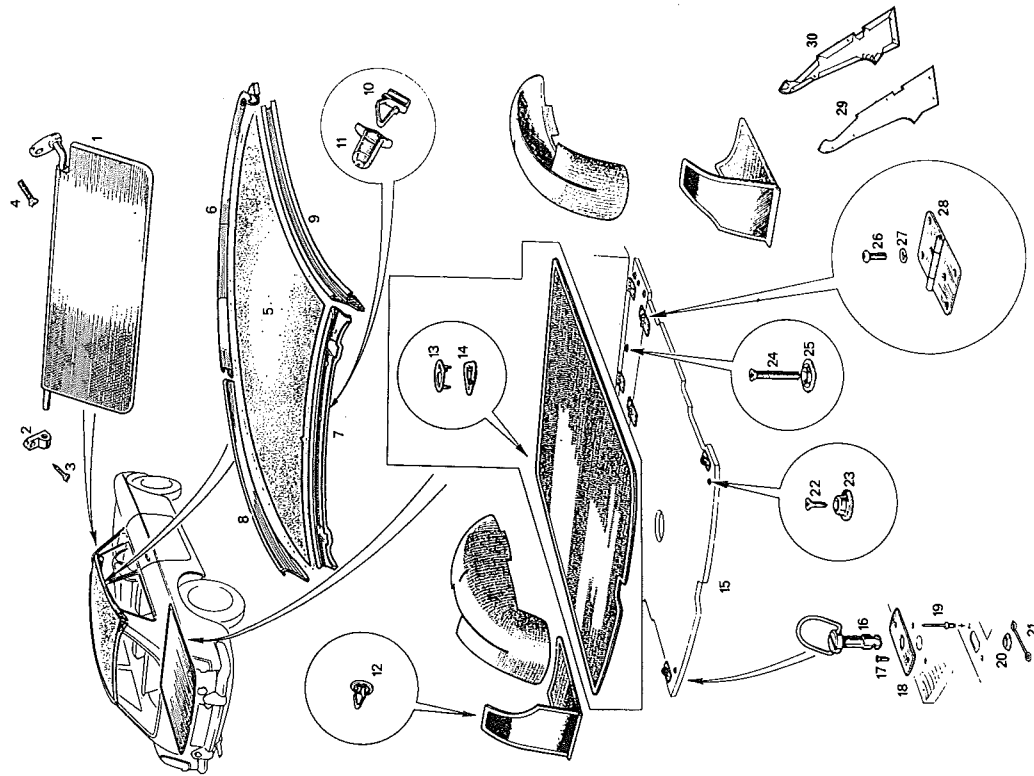
No.	Part No.	Qty.	Description	Remarks
RG023	AHH7597X	1	Scuttle Liner Material	Chrome Bumper
RG024	X2A3415X	1	Scuttle Liner Material	
RG025A	XGA2917WO	1	Map Pocket, Black	Without Finisher
RG025B	XGR2917WO	1	Map Pocket, Red	
RG025C	XGK2917WO	1	Map Pocket, Autumn Leaf	With Finisher
RG025D	XGN2917WO	1	Map Pocket, Navy	
RG025E	XGT2917WO	1	Map Pocket, Ochre	With Finisher
RG025F	XGA2917	1	Map Pocket, Black	
RG025G	XGR2917	1	Map Pocket, Red	With Finisher
RG025H	XGK2917	1	Map Pocket, Autumn Leaf	
RG025I	XGN2917	1	Map Pocket, Navy	With Finisher
RG025J	XGT2917	1	Map Pocket, Ochre	
RG026	AD606071	2	Screw	Cup Washer
RG027	FWP906	2	Cup Washer	
RG028	AHH7768	2	Door Seal Retainer	Screw
RG029	PTZ603	12	Screw	
RG030	14G8736	6	Spiked Ring	Socket
RG031	2H8445	6	Socket	
RG032	52Z650	1	Socket	Washer
RG033	52Z651	1	Washer	
RG034	BHA4355	1	Stud	Washer
RG035	LFP1500	1	Washer	
RG036	2H8445	8	Socket	Spiked Ring
RG037	14G8736	8	Socket	
RG038	610624	8	Cup Washer	Rivet
RG039	DMP829	8	Rivet	



Section RH.

GT Rooflining And Rear Compartment

No.	Part No.	Qty	Description	Remarks
RH001A	AHH8306	2	Sunvisor, Beige] Up to GHD4 158230 GHD4 158231 to GHD5 410000
RH001B	AHH8307	2	Sunvisor, Grey	
RH001C	BHH1406	2	Sunvisor, Grey	
RH001D	44E5284	1	Sunvisor, Grey/Black, with Pouch] GHD5 410000 on
RH001E	44E5285	1	Sunvisor, Grey/Black, with Mirror	
RH002A	AHH7458	2	Visor Retainer] Up to GHD4 158230 GHD4 158231 On
RH002B	AHH9251	2	Visor Retainer	
RH003	RTP605	2	Screw	
RH004	RMP310	2	Screw	
RH005A	AHH7629	1	Headlining, Beige] Up to GHD4 158230
RH005B	AHH7630	1	Headlining, Grey	
RH005C	AHH9537	1	Headlining, Grey] GHD4 158231 to GHD5 410000 GDH5 410000 on
RH005D	AHH9537X	1	Headlining, Grey	
RH005E	MM643-900	1	Headlining Kit, Grey Vinyl] Includes 5C,6C,7C,8C,9C 29A & 30A
RH006A	AHH8153	1	Header Rail, Beige	
RH006B	AHH8152	1	Header Rail, Grey] Up to GHD4 158230
RH006C	AHH9512	1	Header Rail, Grey	
RH007A	AHH8225	1	Rear Header Rail, Beige] GHD4 158231 On
RH007B	AHH8224	1	Rear Header Rail, Grey	
RH007C	X2J2905	1	Rear Header Rail, Grey] Up to GHD4 158230
RH008A	AHH8151	1	Rear Header Rail, Grey	
RH008B	AHH8149	1	Cantrail Capping LH, Beige] Up to GHD4 158230
RH008C	AHH9515	1	Cantrail Capping LH, Grey	
RH009A	AHH8150	1	Cantrail Capping RH, Beige] GHD4 158231 On
RH009B	AHH8148	1	Cantrail Capping RH, Beige	
RH009C	AHH9514	1	Cantrail Capping RH, Grey] Up to GHD4 158230
RH010	ADU4235	6	Cantrail Capping RH, Grey	
RH011	14G6728	6	Retaining Clip	
RH012	AAA4157	2	Flanged Cup	
RH013	14G8736	2	Carpet Button	
RH014	2H8445	A/R	Spiked Ring	
RH015	AHH8408X	A/R	Socket	
RH016	BHA4537	1	Luggage Floor Board	
RH017	AB606031	2	Dzus Fastener	
RH018	AHH7552	4	Screw	
RH019	DMP829	2	Floor Plate	
RH020	BHA4538	4	Rivet	
RH021	BHA4539	2	Retaining Washer	
RH022	AC606041	2	Fastener Spring	
RH023	6T0624	A/R	Screw	
RH024	SF604101	A/R	Fastener Cup	
RH025	ACA5374	6	Screw	
RH026	PMZ308	6	Cup Washer	
RH027	WL700101	9	Screw	
RH028	AHH7527	3	Washer, Spring	
RH029A	HLK5022	1	Hinge	
RH029B	HLK5024	1	'C' Post Finisher RH Grey/Black] Up To 1976 1976 On
RH030A	HLK5023	1	'C' Post Finisher LH Grey	
RH030B	HLK5025	1	'C' Post Finisher LH Grey/Black] Up To 1976 1976 On
			'C' Post Finisher RH Grey/Black	



Section RI.

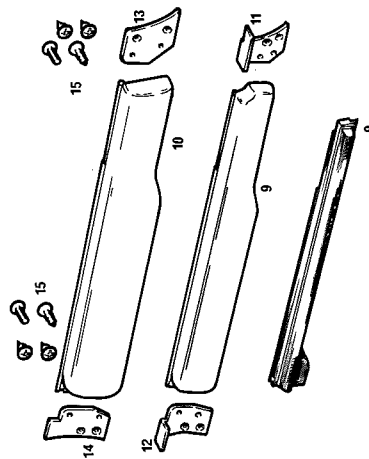
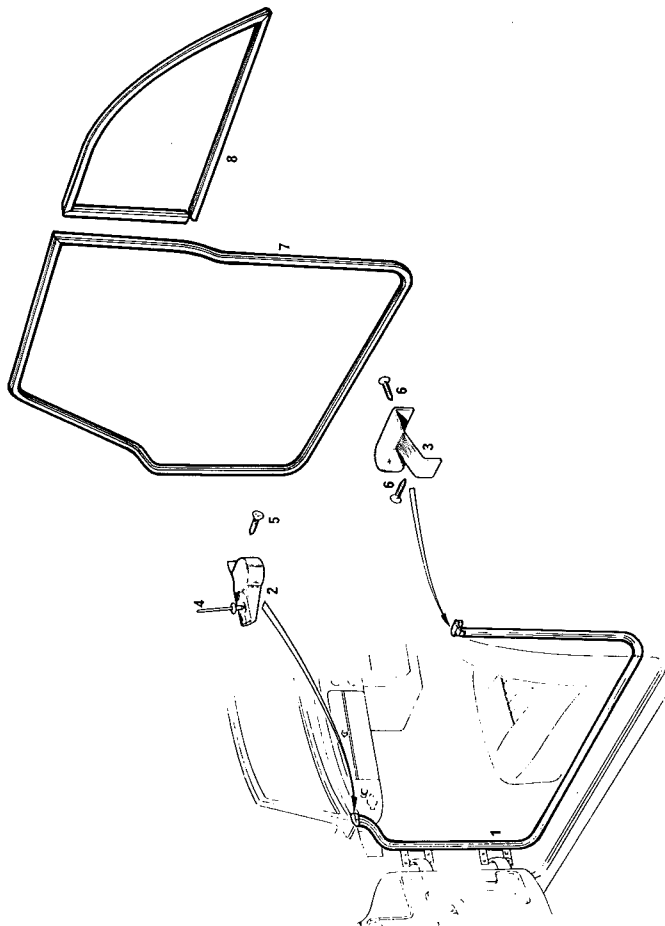
Draught Excluders and Door Cappings

Door Seals

No.	Part No.	Qty	Description	Remarks
RI001A	DER4001	2	Red Furflex '62-'68	Roadster
RI001B	DEA4002	2	Black Furflex '62-'68	
RI001C	DEL4001	2	Blue Furflex '62-'68	
RI001D	DEA4002	2	Black Furflex '69-'72	
RI001E	KGA817	2	Black Nylon '72 On	
RI001F	KGK817	2	Autumn leaf Nylon '72-'76	
RI001G	KGK817	2	Navy Nylon '72-'74	
RI001H	KGK817	2	Ochre Nylon '73-'74	
RI002A	AHH6270	1	RH Front Finisher	
RI002B	AHH6271	1	LH Front Finisher	
RI003A	AHH6323	1	RH Rear Finisher	GT
RI003B	AHH6324	1	LH Rear Finisher	
RI004	GHF600	2	Front Finisher Fixing Rivet	
RI005	AC606041	2	Front Finisher Fixing Screw '62-'70	
RI006	AC606041	4	Rear Finisher Fixing Screw	
RI007A	DER5001	2	Red Furflex '65-'68	
RI007B	DEA5001	2	Black Furflex '65-'68	
RI007C	DEL5001	2	Blue Furflex '65-'68	
RI007D	DEA5002	2	Black Furflex '69-'72	
RI007E	KGK820	2	Black Nylon '72 On	
RI007F	KGK820	2	Autumn Leaf Nylon '72-'76	
RI007G	KGK820	2	Navy Nylon '72-'74	
RI007H	KGK820	2	Ochre Nylon '73-'74	

Quarter Light Seals

No.	Part No.	Qty	Description	Remarks
RI008A	AHH7413	1	Black Furflex RH '65-'72	GT
RI008B	AHH7414	1	Black Furflex LH '65-'72	
RI008C	KGA818	1	Black Nylon RH '72 On	
RI008D	KGA819	1	Black Nylon LH '72 On	
RI008E	KGK818	1	Autumn Leaf Nylon RH '72-'76	
RI008F	KGK819	1	Autumn Leaf Nylon LH '72-'76	
RI008G	KGK818	1	Navy Nylon RH '72-'74	
RI008H	KGK819	1	Navy Nylon LH '72-'74	
RI008I	KGK818	1	Ochre Nylon RH '73-'74	
RI008J	KGK819	1	Ochre Nylon LH '73-'74	



Section RI Continued

Draught Excluders & Door Cappings

No. Part No. Qty Description Remarks

Roadster Door Cappings

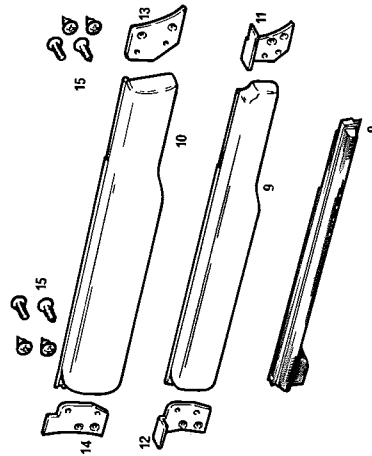
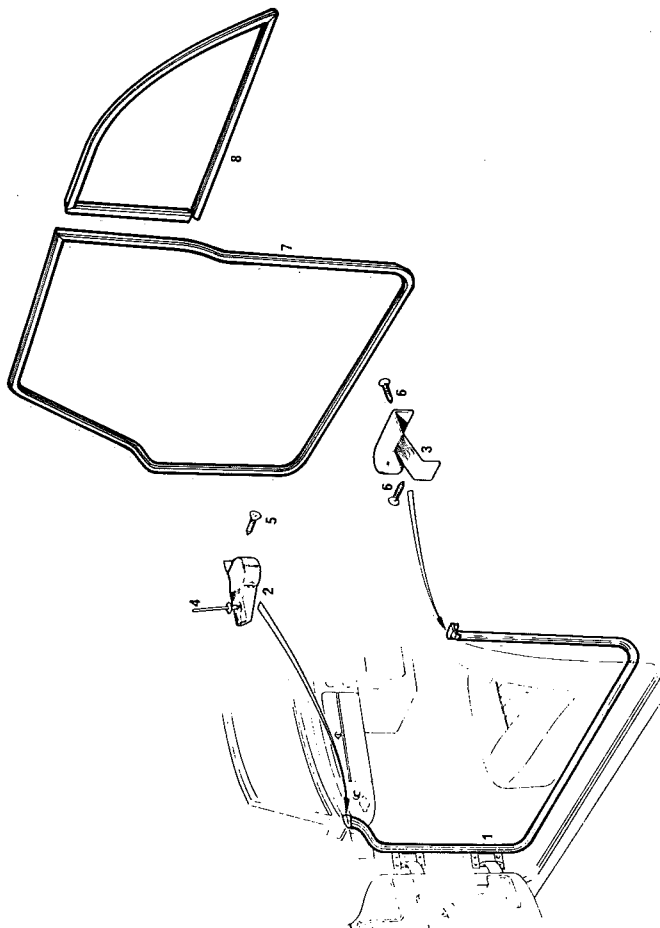
RI09A	AKES192A	1	Black with Black Piping RH '62-'65	
RI09B	AKES193A	1	Black with Black Piping LH '62-'65	
RI09C	AKES192R	1	Black with Red Piping RH '62-'65	
RI09D	AKES193R	1	Black with Red Piping LH '62-'65	
RI09E	AKES192W	1	Black with White Piping RH '62-'65	
RI09F	AKES193W	1	Black with White Piping LH '62-'65	
RI09G	AKES192L	1	Black with Blue Piping RH '62-'65	
RI09H	AKES193L	1	Black with Blue Piping LH '62-'65	
RI09I	TFA4006	1	Black RH '65-'70	
RI09J	TFA4007	1	Black LH '65-'70	
RI09K	TFN4001	1	Navy RH '72-'74	
RI09L	TFN4002	1	Navy LH '72-'74	
RI09M	TFT4001	1	Ochre RH '73-'74	
RI09N	TFT4002	1	Ochre LH '73-'74	
RI09O	TFK4001	1	Autumn Leaf RH '71-'76	
RI09P	TFK4002	1	Autumn Leaf LH '71-'76	
RI09Q	TFA4001	1	Black RH '70 On	
RI09R	TFA4002	1	Black LH '70 On	

GT Door Cappings

RI010A	TFA5006	1	Black RH '65-'70	
RI010B	TFA5007	1	Black LH '65-'70	
RI010C	TFN5001	1	Navy RH '72-'74	
RI010D	TFN5002	1	Navy LH '72-'74	
RI010E	TFT5001	1	Ochre RH '73-'74	
RI010F	TFT5002	1	Ochre LH '73-'74	
RI010G	TFK5001	1	Autumn Leaf RH '71-'76	
RI010H	TFK5002	1	Autumn Leaf LH '71-'76	
RI010I	TFA5001	1	Black RH '70 On	
RI010J	TFA5002	1	Black LH '70 On	

Door Capping Finishers

RI011A	AHH6422	1	Front Finisher RH	Roadster
RI011B	AHH6423	1	Front Finisher LH	
RI012A	AHH6424	1	Rear Finisher RH	GT
RI012B	AHH6425	1	Rear Finisher LH	
RI012C	AHH6422C	1	Set of Four Finishers	
RI013A	AHH7844	1	Front Finisher RH	
RI013B	AHH7845	1	Front Finisher LH	
RI014A	AHH7846	1	Rear Finisher RH	
RI014B	AHH7847	1	Rear Finisher LH	
RI014C	AHH7844C	1	Set of Four Finishers	
RI015	GBK3005	2	Finisher Screw Set	



Section RJ.

RUBBER MATS AND CARPETS

No.	Part No.	Qty	Description	Remarks
			The Rubber Footwell Mats for the 3 synchro ('62-'67) models are not available; replacement footwell carpets may be substituted (see RJ005)	
RJ001A	AHH9762/3	1	Front Floor Mats Pair Black	'68-'76
RJ001B	KGK9760/1	1	Front Floor Mats Pair Autumn Leaf	'71-'76
RJ001C	KGK9760/1	1	Front Floor Mats Pair Navy	'68 only
RJ001D	KGK9760/1	1	Front Floor Mats Pair Ochre	'62-'76
RJ001E	AHH8474/5	1	Front Floor Mats Pair Red	'71-'76
RJ001F	XGL3700/1	1	Front Floor Mats Pair Blue	'62-'68
RJ002A	XGA1300/1	1	Inner Sill Mats Pair Black	
RJ002B	XGK1300/1	1	Inner Sill Mats Pair Autumn Leaf	
RJ002C	XGN1300/1	1	Inner Sill Mats Pair Navy	
RJ002D	XGT1300/1	1	Inner Sill Mats Pair Ochre	
RJ002E	XGR1300/1	1	Inner Sill Mats Pair Red	
RJ002F	XGL1300/1	1	Inner Sill Mats Pair Blue	

Carpet Sets

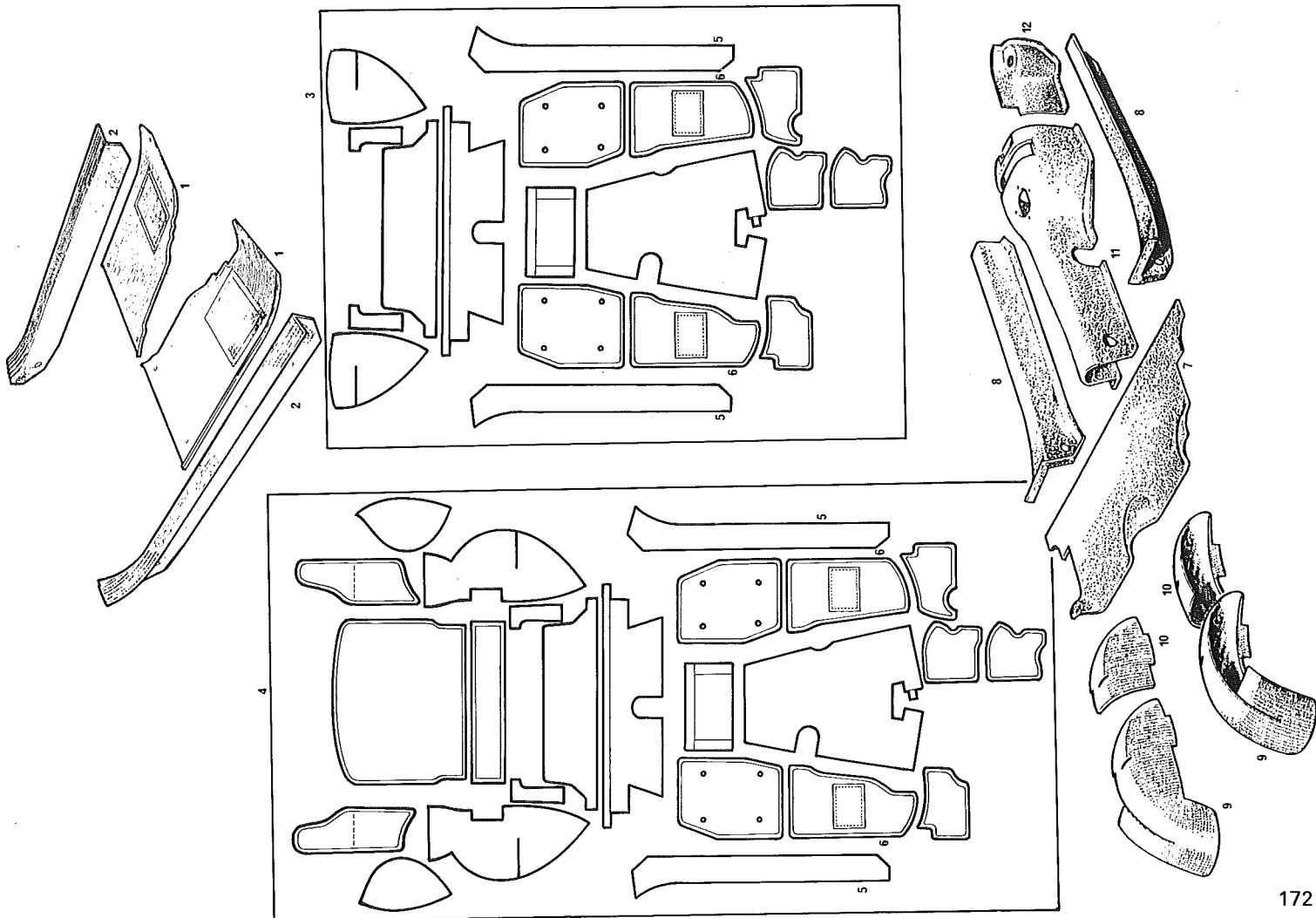
The components are made from two different material consistencies. A soft backed material specification is used for areas where the carpet has to be formed around wheelarches or gearbox tunnels and a hardbacked carpet is used on floor areas and the GT boot floor.

Our carpets are made from the original specification materials used by the company that supplied MG Abingdon. Vast runs were specially commissioned to ensure that the colours of our carpet sets exactly match the original. We have these carpet sets specially cut and sewn by a carpet and trim supplier who also supplies the major British vehicle manufacturers. By this method we can ensure both consistent accuracy and low costs, ensuring top quality products at a value-for-money price. No other supplier pays such close attention to detail.

There are several different styles and colours of carpets so please read the specifications carefully to ensure that you order the correct set for your car.

MGB Roadster Carpet Sets contain:

- 2 Front Footwell Carpets with Heel Mats
- 2 Toe Pad Carpets
- 1 LH Tunnel Carpet
- 1 RH Tunnel Carpet
- 1 Main Tunnel Carpet
- 2 Under Seat Carpets
- 2 Sill Carpets
- 2 Rear Wheelarch Carpets
- 1 Heelboard Carpet
- 1 Battery Cover Carpet
- 2 Outer Battery Cover Carpets
- Plus Carpet For Map Box Where Required



Section RJ Continued

Rubber Mats & Carpets

MGB GT Carpet Sets contain:

- 2 Front Footwell Carpets with Heel Mats
- 2 Toe Pad Carpets
- 1 LH Tunnel Carpet
- 1 RH Tunnel Carpet
- 1 Main Tunnel Carpet
- 2 Under Seat Carpets
- 2 Sill Carpets
- 2 Rear Wheelarch Carpets
- 1 Heelboard Carpet
- 1 Battery Cover Carpet
- 2 Outer Battery Cover Carpets
- 1 Rear Load Floor Carpet
- 1 Rear Seat Backing Carpet
- 2 Rear Wing Pocket Carpets
- Plus Carpet For Map Box Where Required

Type 1 MGB 3 Synchro 1962-1968

Our carpet sets have full carpeting for all areas of the car including those which were originally covered in rubber mats. These sets are available in red or black.

MGB Roadster 1962-68

No.	Part No.	Description
RJ003A	CSA4001	Carpet Set Black
RJ003B	CSR4001	Carpet Set Red

MGB GT 1965-68

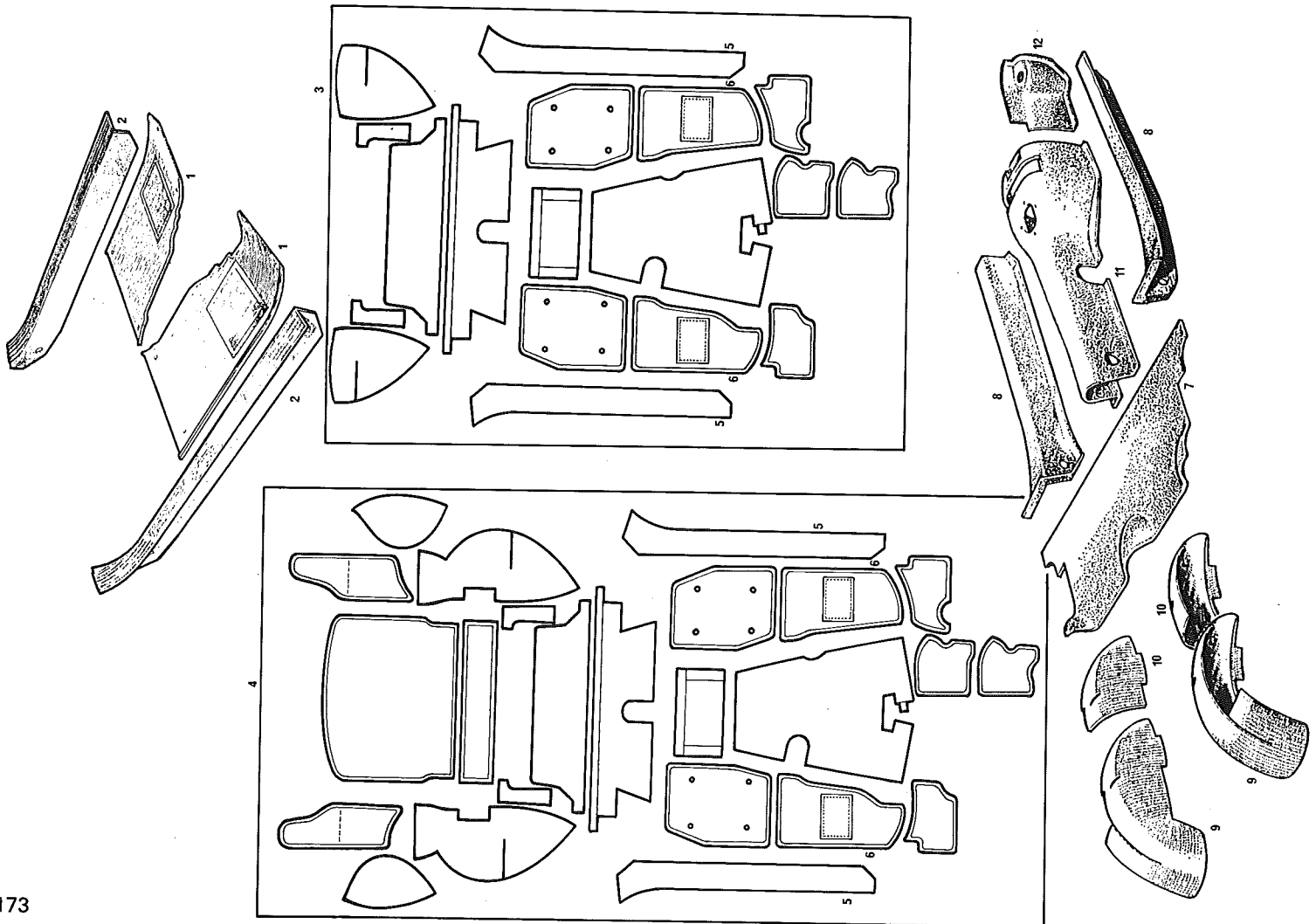
RJ004A	CSA5001	Carpet Set Black
RJ004B	CSR5001	Carpet Set Red

Type 2 MGB 4 Synchro Chrome Bumper 1968-1974

Again our carpet sets have full carpeting for all areas of the car, including those which were originally covered in rubber mats. The sets are available in Red, Black, Autumn Leaf, Navy and Ochre.

MGB Roadster Carpet Sets 1968-74

RJ003C	CSA4002	Carpet Set Black
RJ003D	CSR4002	Carpet Set Red
RJ003E	CSK4002	Carpet Set Autumn Leaf
RJ003F	CST4002	Carpet Set Ochre
RJ003G	CSN4002	Carpet Set Navy



Section RJ Continued

Rubber Mats & Carpets

No. Part No. Description

MGB GT Carpet Sets 1968-74

- RJ004C CSA5002 Carpet Set Black
- RJ004D CSR5002 Carpet Set Red
- RJ004E CSK5002 Carpet Set Autumn Leaf
- RJ004F CST5002 Carpet Set Ochre
- RJ004G CSN5002 Carpet Set Navy

Type 3 MGB 4 Synchro Rubber Bumper 1974-1980

When rubber bumpers were introduced the colours available were only black or autumn leaf, the latter being discontinued in 1976 leaving only black fitment from 1977 to last production in 1980.

MGB Roadster Carpet Sets 1974-80 RHD Only

- RJ003H CSA4017 Carpet Set Black
- RJ003I CSK4017 Carpet Set Autumn Leaf

MGB GT Carpet Sets 1974-80 RHD Only

- RJ004H CSA5003 Carpet Set Black
- RJ004I CSK5003 Carpet Set Autumn Leaf

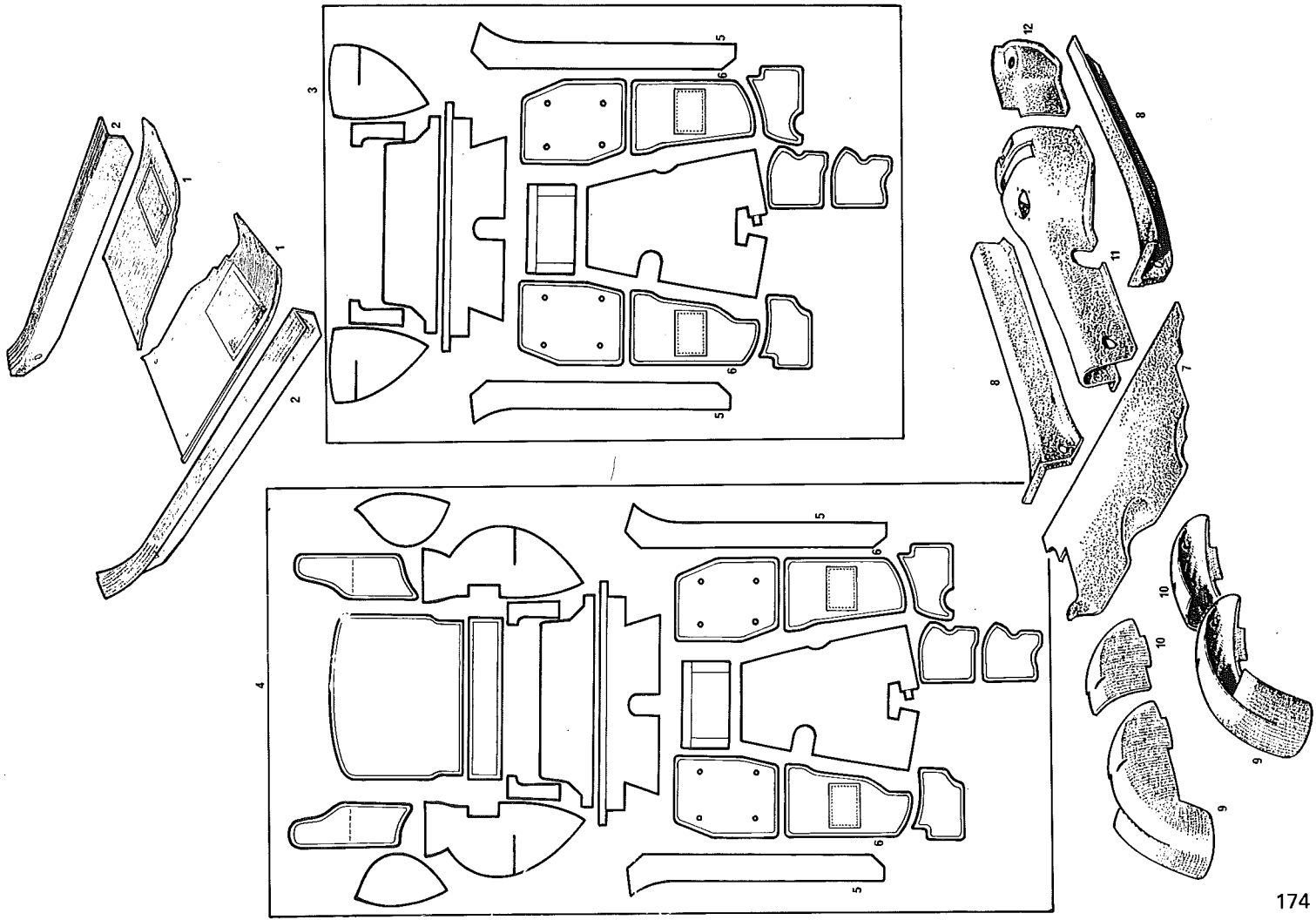
Replacement Single Carpets

- RJ005A CSA4004 Sill Carpet, RH, Black
- RJ005B CSA4005 Sill Carpet, LH, Black
- RJ006A CSA4006 Front Floor Carpet, RH, Black
- RJ006B CSA4007 Front Floor Carpet, LH, Black
- RJ006C CSA4008 Front Floor Carpet, RH, Black
- RJ006D CSA4009 Front Floor Carpet, LH, Black

Moulded Carpets

Now available is a range of moulded carpet sections, making installation easier and providing a more pleasing finish. Available in Black only, as individual sections or as complete kits.

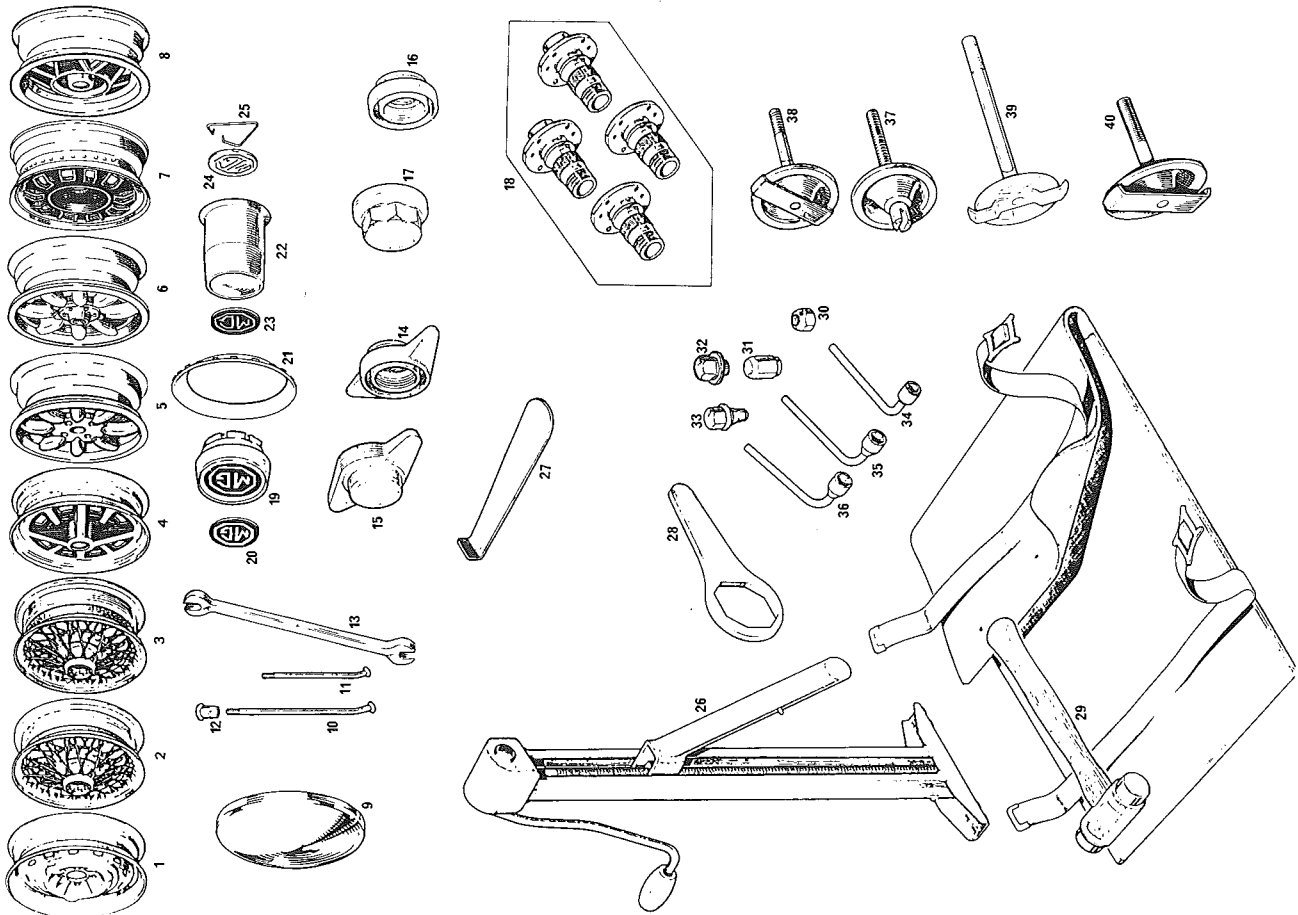
- RJ007 XGA3426 Moulded Battery Cover Carpet Black
- RJ008 XGA6678/9 Moulded Sill Carpets Pair Black
- RJ009 XGA2084/5 Moulded Wheelarch Carpets Pair Black GT
- RJ0010 XGA2084X/5X Moulded Wheelarch Carpets Pair Black Roadster
- RJ0011 XGA2963 Moulded Gearbox Tunnel Carpet Black
- RJ012 AHC98X Moulded Starter Motor Cover Carpet Black
- RJ003J CSA4002X Moulded Carpet Set Roadster 1968-74
- RJ004J CSA5002X Moulded Carpet Set GT 1968-74
- RJ003K CSA4017X Moulded Carpet Set Roadster 1975 On RHD
- RJ004K CSA5003X Moulded Carpet Set GT 1975 On RHD



SECTION SA.

Road Wheels & Tools

No.	Part No.	Qty.	Description	Remarks
SA001A	AHH6132E	5	Road Wheel, Disc Type 4J	Roadster ('62-'69)
SA001B	AHH8112E	5	Road Wheel, Disc Type 5J	GT ('65-'69)
SA002A	WWP515	5	Wire Wheel, Painted 4.1/2J	60 Spoke
SA002B	WWC515	5	Wire Wheel, Chrome Plated 4.1/2J	60 Spoke
SA003A	WWP714	5	Wire Wheel, Painted 5.1/2J	70 Spoke Competition
SA003B	WWC714	5	Wire Wheel, Chrome Plated 5.1/2J	70 Spoke Competition
SA004A	BHH2090	5	Rostyle Wheel 5J	(70-On)
SA004B	AHH9149	5	Rostyle Wheel, Chrome Plated 5J	(70-On)
SA005A	GAC8204X	5	4 Stud Fixing Miniilite Replica	5.1/2" X 14" Silver
SA005B	GAC8214X	5	4 Stud Fixing Miniilite Replica	5.1/2" X 14" Anthracite With Polished Rim
SA006A	GAC8254X	5	Centre Lock Miniilite Replica	5.1/2" X 14" Silver
SA006B	GAC8264X	5	Centre Lock Miniilite Replica	5.1/2" X 14" Anthracite With Polished Rim
SA006C	GAC8255X	5	Centre Lock Miniilite Replica	5.1/2" X 15" Silver
SA006D	GAC8265X	5	Centre Lock Miniilite Replica	5.1/2" X 15" Anthracite With Polished Rim
SA007A	BHH1019	5	V8 Road Wheel - Alloy/Chromed Steel	5.1/2J
SA007B	BHH1816	5	'Jubilee' Wheel - Black/Gold	Light Grey Finish
SA008A	BHH2258	5	LE Alloy Wheel 5 1/2J (UK Type)	Dark Grey & Polished Finishes
SA008B	BHH2451	5	LE Alloy Wheel 5.1/2J (USA type)	Use With 1A & 1B
SA009	AHH6297	4	Disc Wheel Cap	Components of 2A
SA010A	17H2078	A/R	Long Spoke (20 Per Wheel)	Components of 2B
SA011A	17H2077	A/R	Short Spoke (40 Per Wheel)	
SA012A	7H1709	A/R	Nipple (60 Per Wheel)	
SA010B	27H6824	A/R	Long Spoke (20 Per Wheel)	
SA011B	27H6825	A/R	Short Spoke (40 Per Wheel)	
SA012B	7H1709CP	A/R	Chrome Nipple (60 Per Wheel)	
SA013	MM385-800	1	Spoke Adjusting Wrench	
SA014A	AHH7318	2	LH 2 Eared Cap	12 TPI
SA015A	AHH7317	2	RH 2 Eared Cap	12 TPI
SA016A	AHH7316	2	LH Octagonal Cap	12 TPI
SA017A	AHH7315	2	RH Octagonal Cap	12 TPI
SA014B	AHH7318A	2	LH 2 Eared Cap 'MG' Logo	12 TPI
SA015B	AHH7317A	2	RH 2 Eared Cap 'MG' Logo	12 TPI
SA016B	AHH7316A	2	LH Octagonal Cap 'MG' Logo	12 TPI
SA017B	AHH7315A	2	RH Octagonal Cap 'MG' Logo	12 TPI
SA014C	AHA7374	2	LH 2 Eared Cap	8 TPI
SA015C	AHA7373	2	RH 2 Eared Cap	8 TPI
SA016C	88G607	2	LH Octagonal Cap	8 TPI
SA017C	88G606	2	RH Octagonal Cap	8 TPI
SA014D	AHA7374A	2	LH 2 Eared Cap 'MG' Logo	8 TPI
SA015D	AHA7373A	2	RH 2 Eared Cap 'MG' Logo	8 TPI
SA016D	88G607A	2	LH Octagonal Cap 'MG' Logo	8 TPI
SA017D	88G606A	2	RH Octagonal Cap 'MG' Logo	8 TPI
SA018A	GAC7045	1	Wire Wheel Hub Kit* (2 Eared)	Banjo Axle Only
SA018B	GAC7046	1	Wire Wheel Hub Kit* (Octagonal)	Banjo Axle Only
SA018C	GAC7032	1	Wire Wheel Hub Kit* (2 Eared)	Tube Axle Only
SA018D	GAC7033	1	Wire Wheel Hub Kit* (Octagonal)	Tube Axle Only
SA019	AHH9268	4	Rostyle Wheel Centre Cap	With Badge
SA020	AHH9268B	4	Centre Cap Badge	
SA021A	GLZ226	4	Chrome Trim Ring Genuine Part	
SA021B	GLZ226B	4	Chrome Trim Ring Reprro Part	Use With 4A

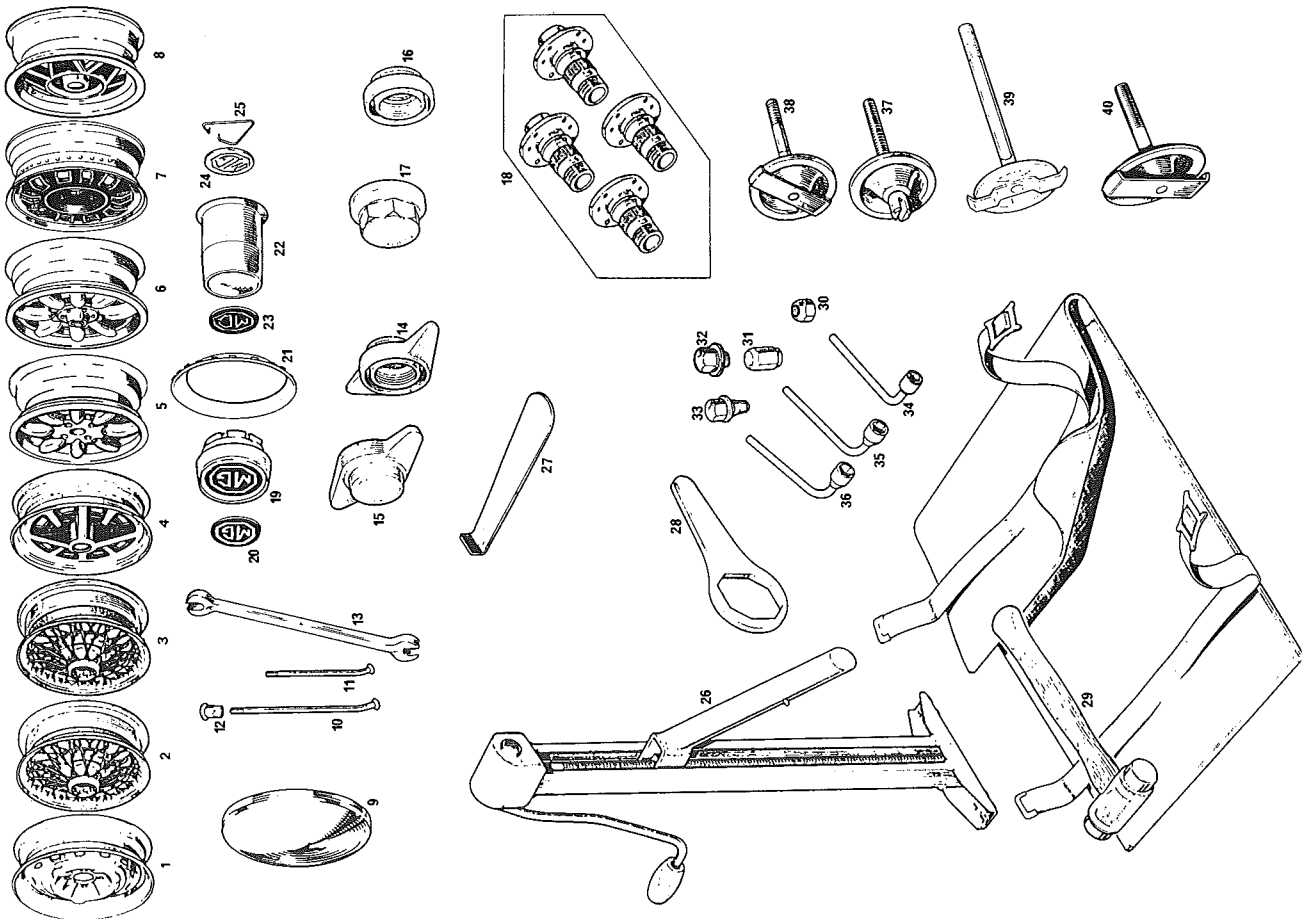


Section SA Continued

Road Wheels & Tools

No.	Part No.	Qty.	Description	Remarks
SA022A	BHH1060	4	V8 Wheel Centre Cap Chrome	
SA022B	BHH1810	4	Jubilee Wheel Centre Cap Black	
SA023A	AHH9268B	4	V8 Wheel Badge	
SA023B	AHH9268G	4	Jubilee Wheel Badge	
SA024	BHH2687	4	Alloy Wheel Centre Badge	Red/Silver LE To hold SA024
SA025	160053	4	Retaining Clip	
SA026	BHA5329	1	Sidelift Jack	Disc Type Wheel
SA027	11H1051	1	Hub Cap Lever	Octagon Knock-On
SA028	AHH5839	1	Wire Wheel Spanner	
SA029A	C27290	1	Copper/Hide Hammer	
SA029B	88G329	1	Lead Hammer	
SA030	BTB354	16	Wheel Nut	Disc Wheel
SA031A	AHH9152	16	Wheel Nut Chrome	Rostyle & Minilite Wheels
SA031B	AHH9152SS	16	Wheel Nut Stainless	Rostyle & Minilite Wheels
SA031C	AHH9152MG	16	Wheel Nut Chrome 'MG' Logo	Rostyle & Minilite Wheels
SA031D	AHH9152SMG	16	Wheel Nut Stainless 'MG' Logo	Rostyle & Minilite Wheels
SA032A	BHH1087	16	Wheel Nut Chrome	V8 Jubilee
SA032B	BHH1087SS	16	Wheel Nut Stainless	V8 Jubilee
SA033A	BHH2269	16	Wheel Nut	L.E. Alloy Wheel Original
SA033B	BHH2269CP	16	Wheel Nut Chrome	LE Alternative
SA034	AHH6539	1	Wheel Nut Wrench	Disc Wheel
SA035	AHH9153	1	Wheel Nut Wrench	Rostyle & Minilite Alloy Wheel
SA036	BHH1086	1	Wheel Nut Wrench	L.E. Alloy Wheel, V8 & Jubilee
SA037	AHH6485	1	Wheel Nut Wrench	Disc Wheel Roadster
SA038A	AHH8113	1	Spare Wheel Clamp	Disc Wheel GT
SA038B	AHH7043	1	Spare Wheel Clamp	Wire Wheel
SA039	AHC866	1	Spare Wheel Clamp	Rostyle Wheel
SA040A	BHH1111	1	Spare Wheel Clamp	V8 & Jubilee
SA040B	BHH2339	1	Spare Wheel Clamp	L.E. Alloy Wheel
SA041	AHH6540	1	Tool Bag	

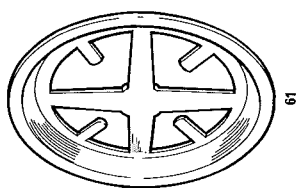
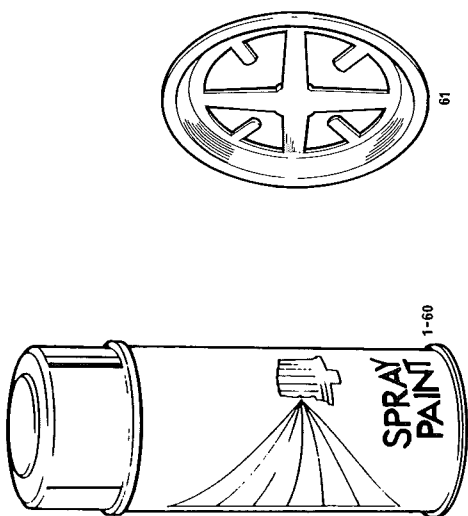
* The Wire Wheel Hub Kit (18) contains the following parts to convert a steel wheel, tube axled car to wire wheels:-
4 hubs, 2 grease caps, 8 bolts & washers, 2 locktabs 4 spinners, and 1 copper/hide hammer. (Plus 1 wire wheel spanner if applicable)



Section TA.

Paints And Striping Kits

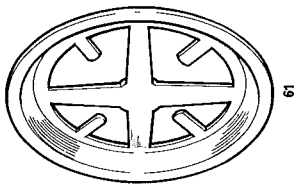
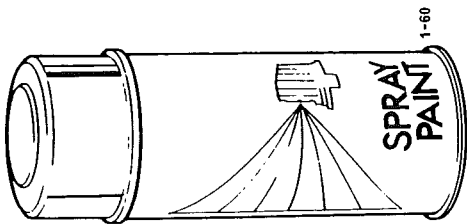
We stock the 'Classic Car Colours' range of paints. Listed below are the relevant MGB colours, Touch-In 300ml Aerosol Cans.



No.	Part No.	Description	Remarks
TA001	CCRD9	Tartan Red	Red
TA002	CCRD61	Flame Red	
TA003	CCRD16	Blaze	
TA004	CCRD5	Damask Red	
TA005	CCRD133	Fiamenco	
TA006	CCRD118	Vermillion	White
TA007	CCRD209	Carmine	
TA008	CCWT3A	Old English White	
TA009	CCWT4	Snowberry White	
TA010	CCWT59	Glacier White	
TA011	CCWT206	Triumph White	Grey
TA012	CCWT243	Ermine White (also known as Leyland White)	
TA013	CCGR15	Chelsea Grey	
TA014	CCGR12	Grampian Grey	
TA015	CCBU12A	Iris Blue	
TA016	CCBU9	Mineral Blue	
TA017	CCBU47	Riviera Silver Blue Metallic	
TA018	CCBU12	Midnight Blue	
TA019	CCBU38	Blue Royale	
TA020	CCBU40	Bermuda Blue	
TA021	CCBU60	Aqua	
TA022	CCBU18	Teal Blue	
TA023	CCBU18	Tahiti Blue	
TA024	CCBU224	Pageant Blue	
TA025	CCBG15	Sandy Beige	Beige/Brown
TA026	CCBG19	Golden Beige Metallic	
TA027	CCBG4A	Bedouin	
TA028	CCYL19	Harvest Gold	
TA029	CCBG93	Bracken	
TA030	CCYL63	Sandglow	
TA031	CCBG205	Russet Brown	
TA032	CCBG71	Antelope	
TA033	CCSB1X	Black	
TA034	CCGN29	British Racing Green, Dark	
TA035	CCGN25	British Racing Green, Light	
TA036	CCGN29A	Racing Green	
TA037	CCGN75	British Racing Green (Jubilee)	
TA038	CCGN20	Limeflower	
TA039	CCGN22	Mallard	Brooklands Green
TA040	CCGN94	Tundra	
TA041	CCGN169	Brooklands Green	

Section TA Continued
Paints and Striping Kits

No.	Part No.	Description	Remarks
TA042	CCYL12	Pale Primrose	Yellow
TA043	CCYL15	Bronze Yellow	
TA044	CCYL73	Citron	Mauve/Purple
TA045	CCYL167	Chartreuse	
TA046	CCYL207	Inca Yellow	LE Roadster Only LE GT Only
TA047	CCYL235	Snapdragon	
TA048	CCRD23A	Black Tulip	
TA049	CCGR11A	Mirage	
TA050	CCBU95	Aconite	
TA051	CCBG370	Bronze Metallic	
TA052	CCGR377	Pewter Metallic	
TA053	CCMB1	Matt Black	
TA054	CCSB1	Super Gloss Black	
TA055	CCSB2	Satin Black	
TA056	CCWP1	Silver Wheel Paint	
TA057A	CCEP1	MG Maroon Engine Paint, Aerosol	
TA057B	CCEP1BR	MG Maroon Engine Paint, Brush On	
TA058A	CCEP4	Black Engine Paint, Aerosol	
TA058B	CCEP4BR	Black Engine Paint, Brush On	
TA059	CCP1	High Builder Primer	
TA060	CCP3	Plastic Primer	
TA061A	GAC7044X	Rostyle Wheel Painting Mask, 14" Dia.	Includes Mask, Paints, Wet & Dry Paper
TA061B	GAC7043X	Rostyle Wheel Painting Kit	
TA062A	BHH2690A	Car Set of LE Stripes, Silver	
TA062B	BHH2697G	Car Set of LE Stripes, Gold	
TA063	HZA5026/31	Car Set of 1975 Jubilee Stripes, Gold	

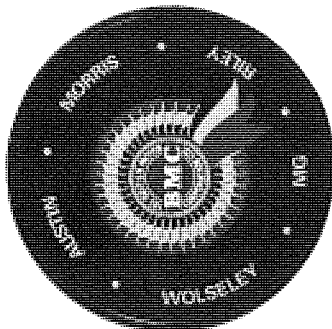
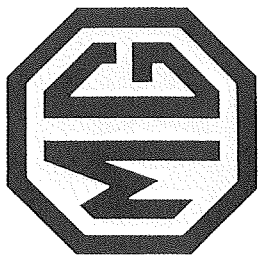
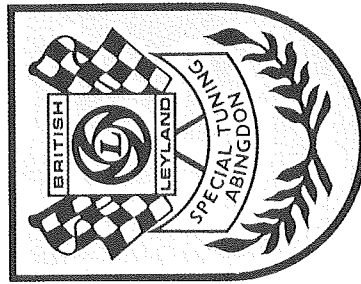


Section TB Continued

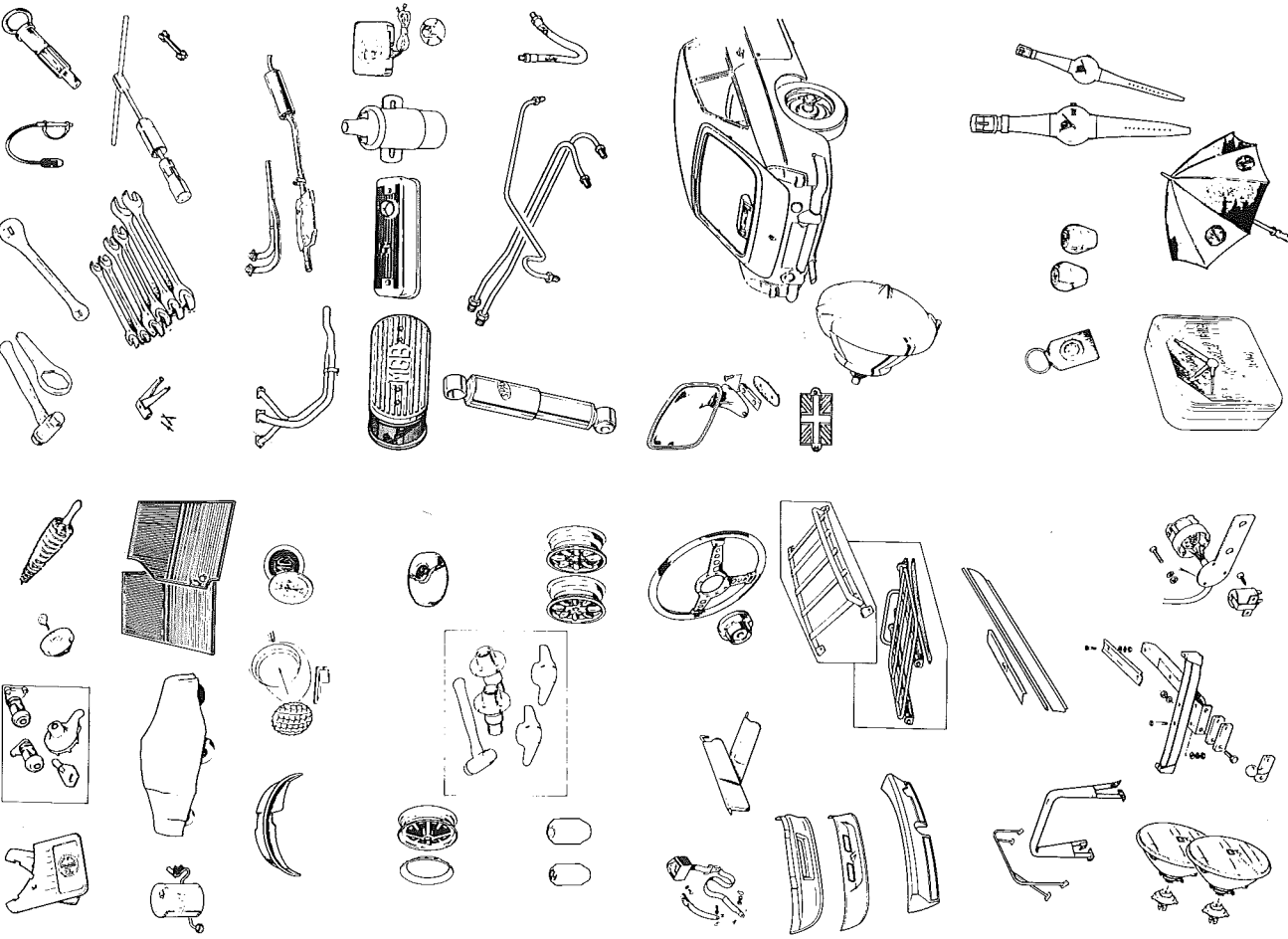
Chassis Plates and Decals

Complete Decal Kits

No.	Part No.	Qty.	Description	Remarks	
TB041A	CRMGK501	1	MGB Tourer '62-'65	Not Illustrated	
TB041B	CRMGK502	1	MGB Tourer '65-'67		
TB042A	CRMGK503	1	MGB GT '65-'67		
TB041C	CRMGK504	1	MGB Tourer '68-'69		
TB042B	CRMGK505	1	MGB GT '68-'69		
TB041D	CRMGK506	1	MGB Tourer '70-'71		
TB042C	CRMGK507	1	MGB GT '70-'71		
TB041E	CRMGK508	1	MGB Tourer '72-'75		
TB042D	CRMGK509	1	MGB GT '72-'75		
TB041F	CRMGK510	1	MGB Tourer '75-'80		
TB042E	CRMGK511	1	MGB GT '75-'80		
TB043	CRMGK512	1	MGC Tourer '67-'69		
TB044	CRMGK513	1	MGC GT '67-'69		
TB045	CRMGK520	1	MGB GT V8		
Tax Disc Holders & Rosettes					
TB046A	CRLH400	1	MG Licence Holder		Brown and Cream
TB046B	CRLH401	1	MG Licence Holder	Black and Gold	
TB047	CRLH402	1	BMC Licence Holder	All BMC Models	
TB048A	CRTR208	2	BMC Rosette (Body Mounting)	All BMC Models	
TB048B	CRTR204	1	BMC Rosette (Windscreen Mounting)	All Special Tuning Vehicles Up To 1965	
TB049A	CRTR205	2	Safety Fast Rosette (Body Mounting)	All Special Tuning Vehicles Up To 1965	
TB049B	CRTR206	1	Safety fast Rosette (Windscreen Mounting)	All Special Tuning Vehicles Up To 1965	
TB050	CRTR207	2	Special Tuning Rosette (Body Mounting)	Special Tuning Vehicles '65-'69	
TB051	CRST153	A/R	BL Special Tuning Shield	Special Tuning Vehicles '69-'74	
TB052	CHSP401	A/R	BMC Key Fob	All BMC Models	



Section UA.



Accessories And Publications

No.	Part No.	Qty.	Description	Remarks
Car Care				
UA001A	GAC4009	A/R	Pair Of Mudflaps 'MG'	
UA001B	GAC4008	A/R	Pair Of Mudflaps 'MGB'	
UA001C	GAC4007	A/R	Pair Of Mudflaps 'GT'	
UA001D	GAC4011	A/R	Pair Of Mudflaps 'V8'	
UA002	See Section OG		Security Lock Set	
UA003	See Section FA		Range Of Locking Petrol Caps	
UA004	GAC4089	1	Wire Wheel Brush	
UA005A	GAC4102	1	Waxoyl Starter Kit	
UA005B	GAC4103	1	Waxoyl 5 Litre Can	
UA005C	GAC4104	1	Waxoyl 2.5 Litre Can	
UA005D	GAC4105	1	Waxoyl 2.5 Litre Refill	
UA006A	GAC4106	1	Jumbo Waxoyl Spray Gun	
UA006B	GAC4107	1	High pressure Spray Gun	
UA006C	GAC4108	1	Spray Gun Extension	
UA007A	GAC5001	1	Roadster Dust Cover	
UA007B	GAC5002	1	GT Dust Cover	
UA008A	GAC6816	1	Pair of Heavy Duty Mats, Rubber	3 Synchro
UA008B	GAC6815	1	Pair of Heavy Duty Mats, Rubber	4 Synchro
UA009	GAC7038	1	Pair of Plastic Moulded Front Wheelarch Liners	
UA010	GAC8000X	1	Pair of Headlamp Stoneguards	
UA011	See Section WA		Range of Tax Disc Holders	

Wheels & Fittings

UA012A	GLZ226	4	Trim Ring, Rostyle Wheel 14" Dia., Genuine	
UA012B	GLZ226B	4	Trim Ring, Repro	
UA013	GAC4087	1	Black Stretch Fit PVC Spare Wheel Cover	
UA014	See Section TA		Wire Wheel Conversion Kit	
UA015	See Section TA		Stainless & Embossed Wheel Nuts	
UA016	See Section TA		Range of Minitite Replica Wheels	Rostyle & Minitite Wheels

Tools

UA017	See Section TA		Wire Wheel Hammers & Spanners	
UA018	GAC5051	1	Brake Adjusting Spanner	
UA019	GAT453	1	Bleed Tool	
UA020A	GAC5057	1	Clutch Alignment Tool	
UA020B	GAC5058	1	Clutch Alignment Tool	
UA021	GAC5054	1	Rivet Gun	
UA022	GAC5055	1	Set of AF (UNF) Spanners	
UA023	GAT140	1	Spark Plug Spanner	
UA024	GAC5052	1	Sump Plug Wrench	
UA025	509816	1	Combination Hub Cap Tool	Up To 1965 1965 On

Section UA Continued

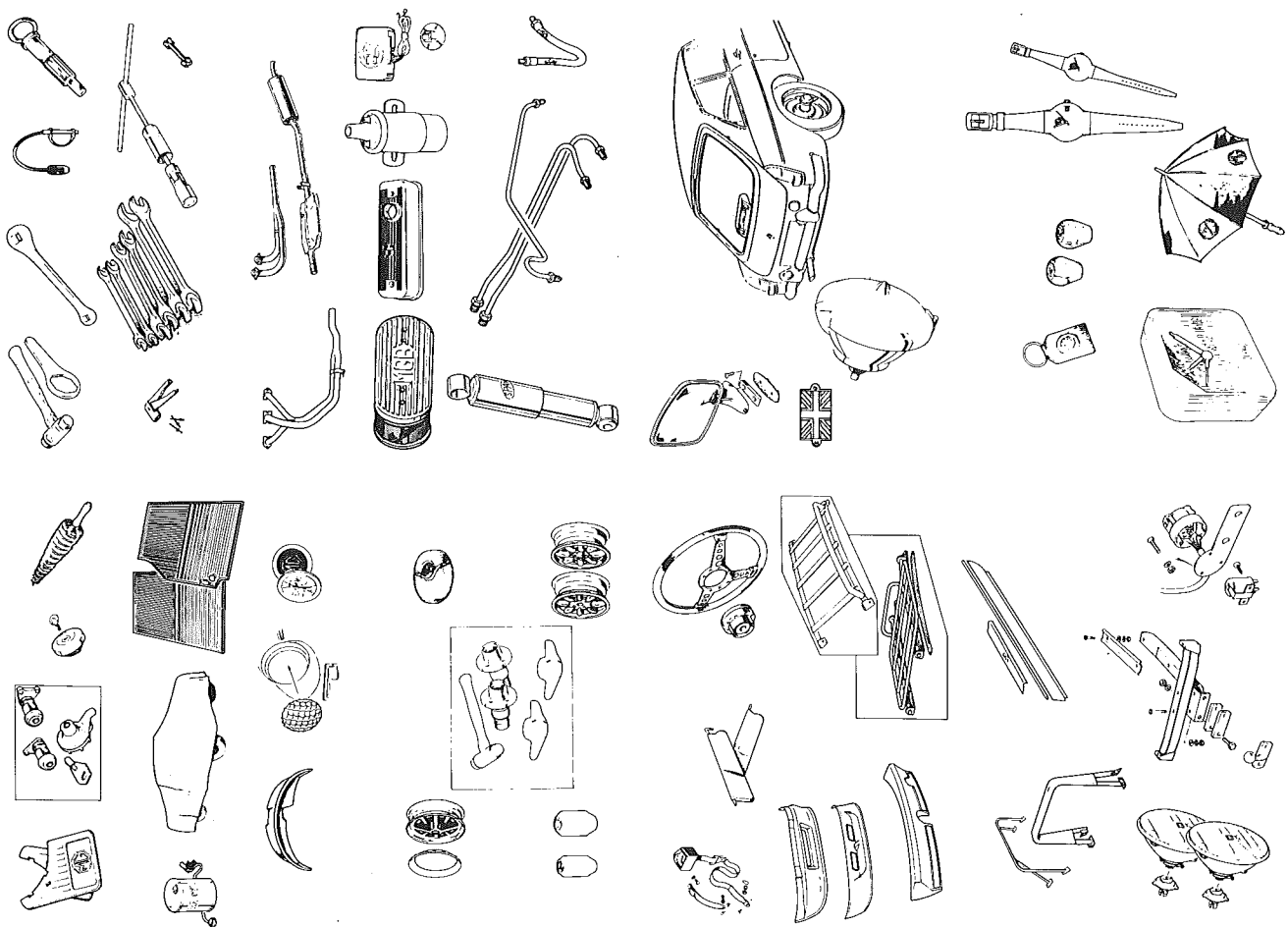
Accessories & Publications

No.	Part No.	Qty.	Description	Remarks
Mechanical Accessories				
UA026A	TT10730	1	Tubular Exhaust Manifold	Mild Steel
UA026B	TMG10730	1	Tubular Exhaust Manifold	Stainless Steel
UA027	See Section EA		'Falcon' Stainless Exhaust Systems	
UA028	KNMG240	1	K&N Air Filters With Alloy Cover	
UA029	See Section AE		Alloy Rocker Covers	
UA030	TT2981	1	Lucas Sports Coil	
UA031	See Section LE		'Pirahna' Electronic Ignition Systems	
UA032	SPCK12	1	Spax Adjustable Damper Kit, MGB Front	Chrome Bumper
UA033	SPCK13	1	Spax Adjustable Damper Kit, MGB Rear	Rubber Bumper
UA034	SPCK14	1	Spax Adjustable Damper Kit, MGB Rear	
UA035A	See Section JD/JE		Copper Brake Pipe Kits	
UA035B	See Section FC		Copper Fuel Pipe Kits	
UA036A	See Section JD/JE		Stainless Braided Brake Hoses	
UA036B	See Section AJ		Stainless Braided Clutch Hoses	

Body Fittings

UA037	GAC5070	2	Replacement Inertia Reel Seat Belt	RHD Roadsters Only
UA038	TT7960	2	'Britax' Four Point Safety Harness	
UA039	GAC4021	1	Pair of Sunvisors With Fitting Kit	Non-Collapsible Steering Columns
UA040	See Section GA/GB		Moto Lita Steering Wheels	Collapsible Steering Columns
UA041	See Section GA		Moto Lita Wheel Bosses	
UA042	See Section GB		Moto Lita Wheel Bosses	
UA043	See Section PB		Front Spoilers	
UA044	TMG70740	1	Tailgate Spoiler	
UA045	See Section OJ		Boot Racks, Bolt-On & Clamp-On Types	
UA046	GAC4014	1	Unpadded Roll Over Bar	Aley 'National'
UA047A	GAC4015	1	Padded Roll Over Bar Black	Aley 'Aerobar'
UA047B	GAC4015F	1	Padded Roll Over Bar Flint	
UA047C	GAC4015K	1	Padded Roll Over Bar Autumn Leaf	
UA047D	GAC4015N	1	Padded Roll Over Bar Navy	
UA047E	GAC4015R	1	Padded Roll Over Bar Red	
UA047F	GAC4015T	1	Padded Roll Over Bar Ochre	
UA047G	GAC4015X	1	Padded Roll Over Bar Beige	
UA047H	GAC4015DLX	1	Padded Roll Over Bar, Black	For cars up to 1969 with 'Deluxe' Hood and Frame

UA048	See Section MA		Halogen Headlamp Conversion Kits	
UA049	GAC4032	1	Pair of Stainless 'MG' Threshold Plates	
UA050	GAC7009	1	Pair of Stainless Sill Finishers, With Beading	
UA051A	GAC4073	1	Towing Bracket Kit, Chrome Bumper	
UA051B	GAC4079	1	Towing Bracket Kit, Rubber Bumper	
UA052	GAC4080	1	Electrical Kit, Towing	
UA053	GTT101	1	Tow Ball, 50mm Diameter	
UA054	See Section QC		Door & Wing Mirrors	One only
UA055A	GAC4100	1	Union Flag Badge	
UA055B	GAC4101	1	Pair of Enamel Union Flag Badges	
UA056	GAC9999X	1	High Level Brake Light Kit	GT Only
UA057A	MM162-700	2	Replica Lucas 'SLR576' Driving Lamp	Clear Lens
UA057B	MM162-800	2	Replica Lucas 'SFT576' Fog Lamp	Fluted Lens



Section JA Continued

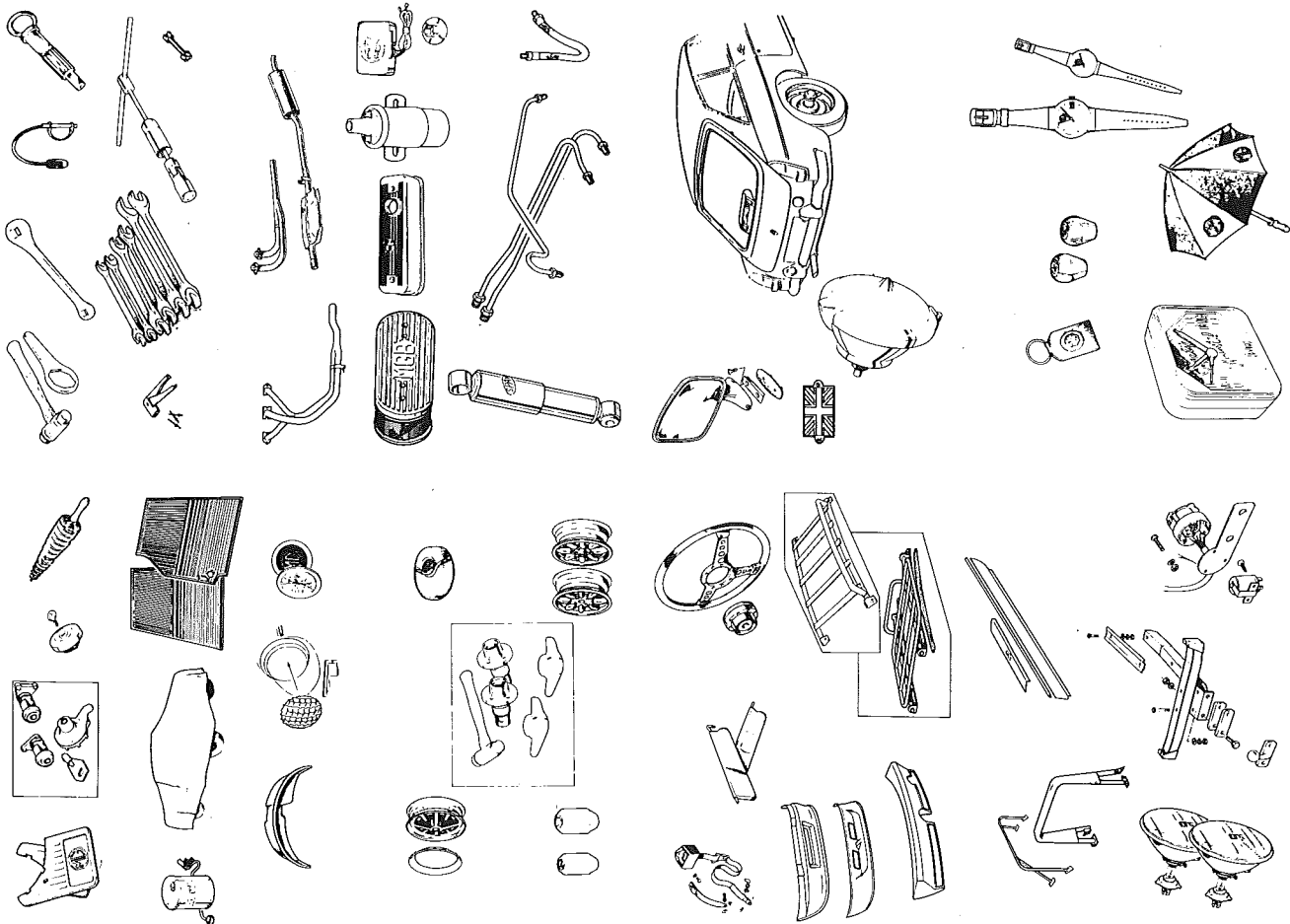
Accessories & Publications

No.	Part No.	Qty.	Description	Remarks
Personal Accessories				
UA058A	GAC4037RC	1	Key Fob 'MG'	Black With
UA058B	GAC4038	1	Key Fob 'MGB'	Red Logo
UA058C	GAC4039	1	Key Fob 'MGC'	Black & Red
UA058D	GAC4040	1	Key Fob 'MGB GT V8'	Black & Red
UA058E	GAC4042	1	Key Fob Union Flag	Grey & Red
UA059	GAC4045	1	Gear Knob Leather 'MG'	Brown & Cream
UA060	GAC4048	1	Gear Knob Wood 'MG'	Blue & Silver Grey
UA061	GAC8001X	1	Gentleman's Quartz Watch	Blue & White
UA062	GAC80013X	1	Ladies Quartz Watch	Brown & Cream
UA063	GAC8002X	1	'MG' Sports Bag	
UA064A	GAC8010X	1	'MG' Umbrella	
UA064B	GAC8011X	1	'MG' Umbrella	
UA064C	GAC8012X	1	'MG' Umbrella	
UA064D	GAC8017X	1	Shooting Stick Umbrella 'MG V8'	
UA064E	GAC8023X	1	'Moss/MG/TR' Garden Sunshade	
UA065	GAC8022X	1	MG Wall Clock	

Books & Publications

UA065	MGL0003	1	MGB/GT Parts Catalogue	Moss Publication
UA066	MGL0001	1	MGB GT V8 Parts Supplement	Moss Publication
UA069	AKM0039	1	MGB/GT Parts Catalogue (Up To '76)	BL Publication
UA070	AKM0037	1	MGB/GT Parts Catalogue ('76 On)	BL Publication
UA071	AKD3259	1	MGB/GT Workshop Manual (Up To '76)	BL Publication
UA072	AKM4070	1	MGB/GT Workshop Manual ('76 On)	BL Publication
UA073	AKD8468	1	V8 Supplement to VA069	BL Publication
UA074	AKD3900	1	Driver's Handbook MGB/GT	'62-'67
UA075	AKD7598	1	Driver's Handbook MGB/GT	'68-'76
UA076	AKM3661	1	Driver's Handbook MGB/GT	'76 On
UA077	AKD4887B	1	Driver's Handbook MGB	
UA078	AKD8423	1	Driver's Handbook MGB GT V8	
UA079	MGL0114	1	MG Special Tuning Catalogue & Handbook	Moss Publication

A large range of publications on MG are always available from our branches. Please phone for information on books currently in print. Amongst others, a selection of the Brooklands Books Road Test Reprints, MRP 'Collectors Guides', Haynes 'Superprofiles' and Lindsay Porter's 'Guide to Purchase and DIY Restoration' series are held in stock, together with the ubiquitous 'MG By McComb'.

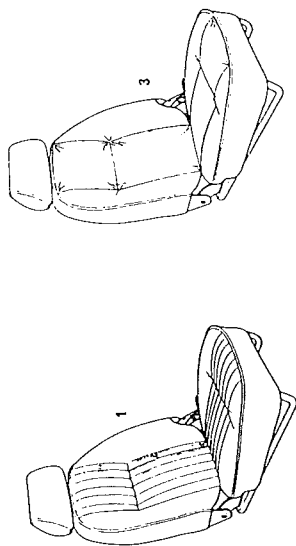


Section UB.

Alternative Interior Trim

'Classic Seats'

A new style of seat designed to directly replace any MGB seat, utilising the same floor runners. Finished with soft Connolly leather pleated facings. Sold in pairs; other colours available to special order.



No.	Part No.	Qty.	Description
UB001A	SAF4020	1	Classic MGB Seats Pair Flint Grey With Red Piping
UB001B	SAF4021	1	Classic MGB Seats Pair Flint Grey With Red Piping
UB001C	SAA4020	1	Classic MGB Seats Pair Black With Black Piping
UB001D	SAA4021	1	Classic MGB Seats Pair Black With Red Piping

GT Leather faced Rear Seat Kits (Not Illustrated)

Produced to complement the 'Classic' range of seats.

UB002A	SCF5015	1	Leather Faced Rear Seat Kit, Flint With Red Piping
UB002B	SCA5014	1	Leather Faced Rear Seat Kit, Black With Black Piping
UB002C	SCA5015	1	Leather Faced Rear Seat Kit, Black With Red Piping

'Executive' Seat

As per the 'Classic' seat, but with rucked leather facings, rather than pleated.

UB003	SAA4022	1	Executive MGB Seats Pair Black With Black Piping
-------	---------	---	--

Flint Grey Trim and Carpets

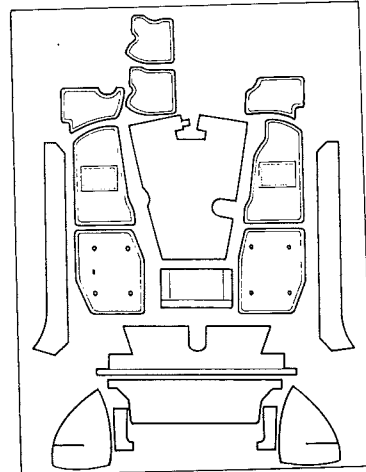
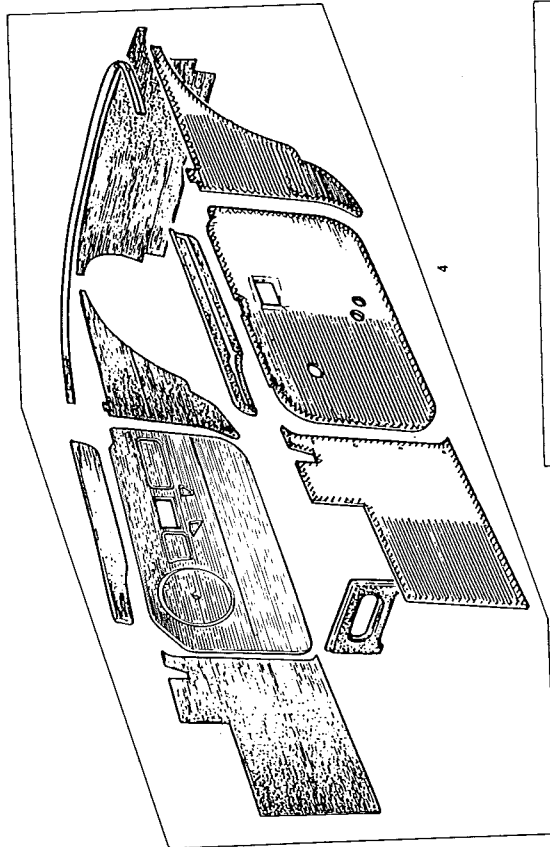
Produced to complement the flint grey Classic seats, this trim is styled after the '1976 on' trim pattern but will fit all cars from 1970 onwards. Along with flint grey versions of all the normal trim kit components, the trim kits listed here also contain door seats, door cappings, window winders, door pulls and interior door handles, all colour coded in flint.

UB004A	TFK4161	1	Interior Trim Kit, Roadster, Flint
UB004B	TFK5014	1	Interior Trim Kit, GT, Flint
UB005A	CSF4002	1	Carpet Set, Roadster, Flint 1970-74
UB005B	CSF4017	1	Carpet Set, Roadster, Flint 1975 On
UB006A	CSF5002	1	Carpet Set, GT, Flint, 1970-74
UB006B	CSF5003	1	Carpet Set, GT, Flint, 1975 On
UB007	GAC4015F	1	Padded Roll Over Bar, Flint (Not Illustrated)
UB008	MLW111F	1	Moto Lita Steering Wheel 14" Dia. Leather Rim With Flat Polished Spokes, Flint (Not Illustrated)

MGB Roadster Boot Carpet Sets (Not Illustrated)

To neaten an often neglected area of the car. Available as a multi-piece kit in Black or Flint, or as a four piece moulded carpet set in black.

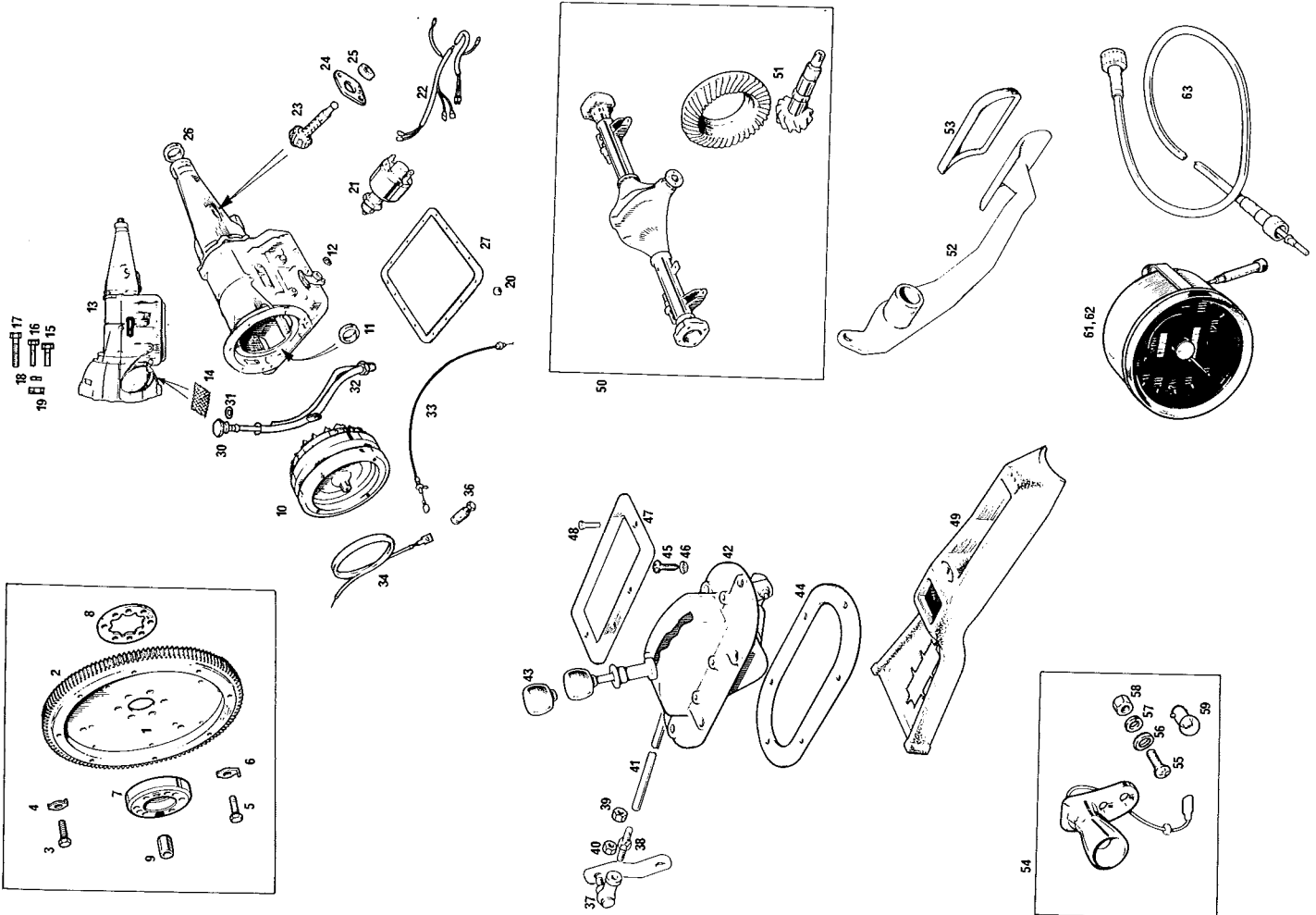
UB009A	CSA4030	1	Boot Carpet Kit, Black
UB009B	CSF4030	1	Boot Carpet Kit, Flint
UB010	CSA4030X	1	Boot Carpet, Moulded, Black



Section VA.

MGB Automatic (1968-73)

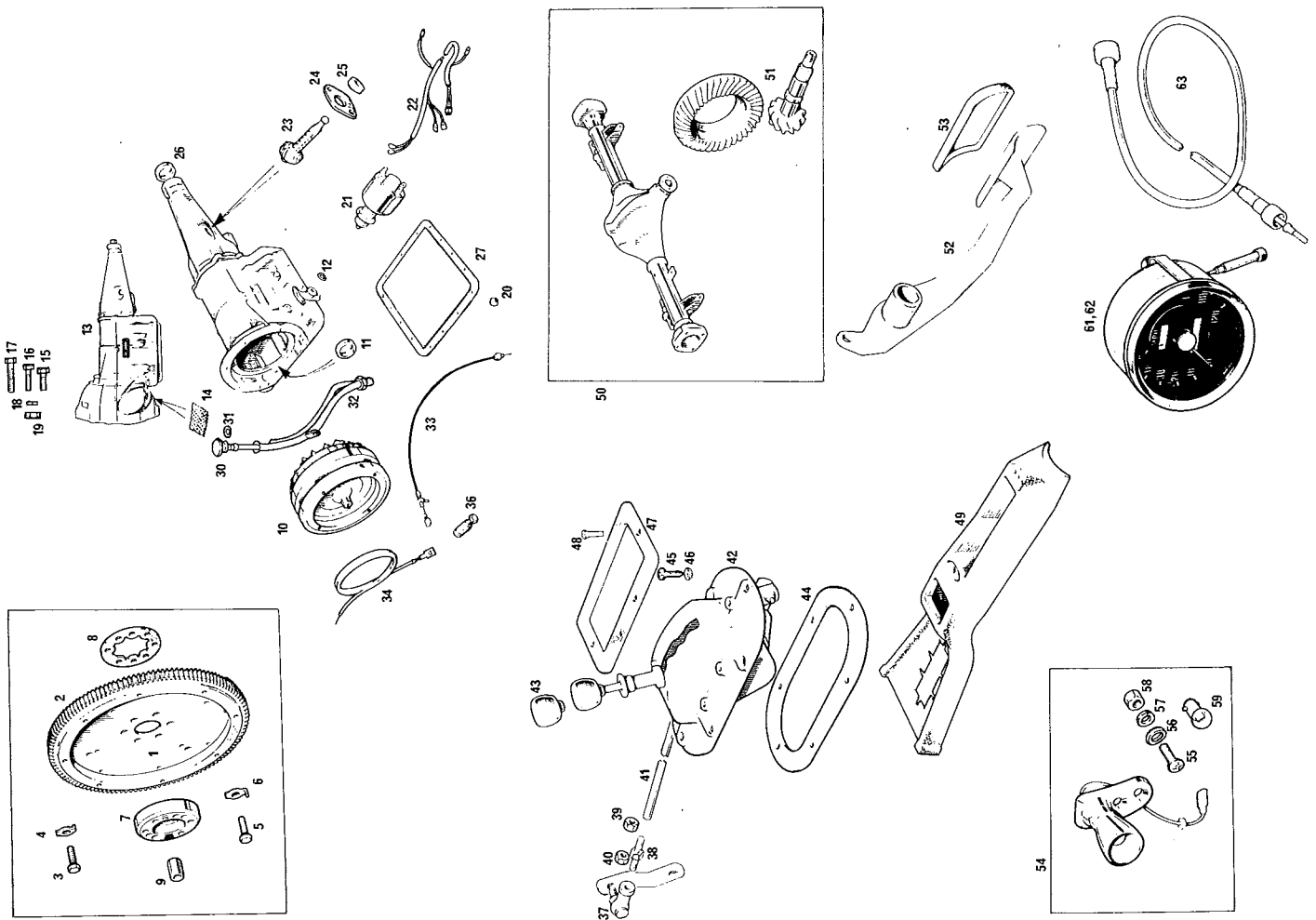
No.	Part No.	Qty.	Description	Remarks
VA001	12H2275WO	1	Drive Plate	Without Ring Gear
VA002	12H2187	1	Ring Gear	
VA003	SH605051	8	Screw, Plate to Ring Gear	
VA004	12H2194	8	Lock Tab	
VA005	12H545	4	Screw, Plate to Torque Converter	
VA006	12H537	4	Lock Tab	
VA007	12H2191	1	Adaptor	
VA008	12H2192	1	Back Plate	
VA009	12B1397	1	Spigot Bush	
VA010	17H3298	1	Torque Converter	
VA011	BAU1034A	1	Oil Pump Seal	Up To 1970 1970 On
VA012	7H6845	2	Seal, Oil Control Shaft	
VA013	22H1266E	1	Auto Gearbox With Converter	
VA014	37H3729	2	Mesh Guard	
VA015	BH605221	3	Bolt, Gearbox To Engine	
VA016	BH605241	2	Bolt, Gearbox To Engine	
VA017	BH605261	2	Bolt, Gearbox To Engine	
VA018	GHF332	7	Spring Washer	
VA019	GHF201	7	Nut	
VA020	37H6403	1	Drain Plug	
VA021	RTC1150	1	Inhibitor Switch	Not Illustrated
VA022A	RTC1150HC	1	Inhibitor Switch Harness, Cloth	
VA022B	RTC1150HP	1	Inhibitor Switch Harness, PVC	
VA023	22B654	1	Speedometer Pinion	
VA024	22H903	1	Gasket	
VA025	NKC105A	1	Seal	
VA026	RTC447A	1	Tailshaft Oil Seal	
VA027	27H3301	1	Sump Gasket	
VAS028	GAB411	1	Gasket Kit	
VA029A	27H9338	1	Plain Filter	
VA029B	AAU7085A	1	Plain Filter With Pick-up Alternative	
VA030	AHC370	1	Dipstick	Not Illustrated
VA031	TRS710	1	'O' Ring	
VA032	AHH8436	1	Dipstick Tube	
VA033	22H1267	1	Kickdown Cable	
VA034	BHH1120	1	Accelerator Cable	
VA035	AHC281	1	Bolt, Cable To Carb Linkage	
VA036	AHC284	1	Pin	
VA037	11H670	1	Selector Joint	
VA038	AHH8547	1	Adjuster	
VA039	NT605041	1	Nut	
VA040	FNZ2205	1	Nut LH Thread	
VA041	AHH8544	1	Selector Rod	
VA042	AHH8548	1	Selector Mechanism	
VA043	AHC195	1	Selector Knob	
VA044	AHC188	1	Gasket	
VA045	SF604061	6	Screw	
VA046	BHA4566	6	Lock Washer	



Section VA Continued

MGB Automatic (1968-73)

No.	Part No.	Description	Qty.	Remarks
VA047	AHC215	Finisher	1	
VA048	AHC216	Screw	6	
VA049	BHH468	Tunnel Console	1	
VA050A	BTB1109	Rear Axle Case & Differential	1	(*72-'73 only)
VA050B	BTB1108	Rear Axle Case & Differential	1	Wire Wheels Up To 1969
VA050C	BTB1127	Rear Axle Case & Differential	1	Wire Wheels 1969 On
VA050D	BTB1125	Rear Axle Case & Differential	1	Disc Wheels 1969 On
VA051A	BTB856	Crown Wheel & Pinion	1	Up To 1969
VA051B	BTB1244	Crown Wheel & Pinion	1	1969 On
VA052	AHH8538	Brake Pedal	1	
VA053	ACC8592	Pedal Rubber	1	
VA054	BHA4483	Gear Selector Lamp	1	
VA055	RMP308	Screw	2	
VA056	GHF306	Washer, Plain	2	
VA057	WL700101	Spring Washer	2	
VA058	GHF206	Nut	2	
VA059	GLB233	Bulb	1	
VA060	BHA4482	Switch	1	
VA061	BHA4707	Speedometer (SN6144/20)	1	Not Illustrated
VA062	BHA4868E	Speedometer (SN6144/28)	1	Up To 1969
VA063	GSD103	Speedometer Cable	1	1969 On
VA064	BAU1798	Oil Pump Assembly	1	
VA065	18G8622	Clutch Kit, Front	1	
VA066	GAB607	Clutch Kit, Rear	1	
VA067	27H6196	Servo, Front	1	
VA068	27H8602	Servo, Rear	1	
VA069	GAB704	Brake Band, Front	1	
VA070	GAB709	Brake Band, Rear	1	
VA071	GAB212	Oil Seal & 'O' Ring Kit	1	
VA072	AEU2868A	Sealing Ring Kit	1	
VA073	37H7952	Thrust Washer Kit	1	
VA074	GAB106	Major Overhaul Kit	1	
VA075	RTC153	Clutch, Undirectional	1	
VA076	AEU1964A	Planet Gear Assembly	1	
VA077	22B473	Speedometer Drive Gear	1	
VA078A	CLTQF/5L	Auto Transmission Fluid	1	0.5 Litre Top-Up
VA078B	CLTQF/5LT	Auto Transmission Fluid	1	5 Litre Can



Section WA

Export market Components (Not USA)

The vast majority of export market MGB components are shown in our North American Specification MGB Parts Catalogue. However, there are differences between the various export markets, for instance the fascia switches on late Canadian, German and Swedish cars fit in the same fascia as USA spec. cars, but have symbols rather than text printed on them.

Where components for export cars differ both from home market models and USA spec. models, they are listed in the following sections.

Section WA

Export Markets Mechanical Parts

Engine Controls

No.	Part No.	Qty.	Description	Remarks
WA001A	AHH6501	1	Accelerator Pedal LHD	Up To GHN/D3 138400
WA001B	AHC647	1	Accelerator Pedal LHD	GHN/D4 138401 - GHN/D5 360300
WA001C	BHH1106	1	Accelerator Pedal LHD	GHN/D5 360301 - GHN/D5 410000
WA001D	BHH1971	1	Accelerator Pedal LHD	GHN/D5 410001 On
WA002A	AHH6998	1	Accelerator Cable LHD	Up To GHN/D3 138400
WA002B	AHH8463	1	Accelerator Cable LHD	GHN/D4 138401 - GHN/D5 360300
WA002C	BHH1649	1	Accelerator Cable LHD	GHN/D5 360301 On (Not Suitable For Single Zenith Carb)
WA003A	BHH526	1	Choke Cable LHD	Up To GHN/D5 258000
WA003B	BHH950	1	Choke Cable LHD	GHN/D5 258001 to GHN/D5 410000
WA003C	BHH2064	1	Choke Cable LHD	GHN/D5 410001 On (Not Single Zenith Carb)
WA004	AHH8748	1	Accelerator Cable, Automatic LHD	
WA005	BHA4753	1	Clip, Kickdown Cable To Accelerator Cable	

Steering

WA006A	AHH6121	1	Steering Rack LHD	Up To GHN/D5 360300
WA006B	GSR132	1	Steering Rack LHD	All Chrome Bumper GHN/D5 360301 On All Rubber Bumper

Section WA Continued

Export Markets Mechanical Parts

No.	Part No.	Qty.	Description	Remarks
Clutch Hydraulics				
WA007A	AHH6505	1	Clutch Pedal LHD	Single Line Brake Models Dual Line Brakes With Direct Acting Servo, Up To GHN5 386600
WA007B	BHH1309	1	Clutch Pedal LHD	Dual Line Brakes, Direct Acting Servo, From GHN5 386601 On
WA007C	BHH1901	1	Clutch Pedal LHD	Master Cylinder To Hose, Up To GHN5 410000
WA008A	ACB8754	1	Clutch Pipe LHD	Master Cylinder To Hose, HN5 41001 On
WA008B	BHH1240	1	Clutch Pipe LHD	
Brake Hydraulics				
WA009A	AHH6506	1	Brake Pedal LHD	Single Line Brakes Up To GHN/D3 138400
WA009B	AHH8523	1	Brake Pedal LHD	Single Line Brakes GHN/D4 138401 On
WA009C	BHH1100	1	Brake Pedal LHD	Dual Line Brakes With Direct Acting Servo, Up To GHN5 386600
WA009D	BHH1892	1	Brake Pedal LHD	Dual Line Brakes With Direct Acting Servo, GHN5 386601 On
WA010	AHH8421	1	Pedal Box LHD	Single Line Brakes Only
WA011A	BHH1091	1	Pedal Box LHD	Dual Line Brakes With Direct Acting Servo, Up To GHN5 386600
WA011B	BHH1860	1	Pedal Box LHD	Dual Line Brakes With Direct Acting Servo, GHN5 386601
WA011C	BHH2158	1	Pedal Box LHD	To GHN5 410000 Direct Acting Servo System GHN5 410001 On

Section WA Continued

Export Markets Mechanical Parts

No.	Part No.	Qty.	Description	Remarks
Brake Hydraulics				
WA012	BAU1715	1	Brake Master Cylinder	Belgium, Netherlands, Luxembourg, France Only
WA013	27H7751	1	Spring	
WA014	17H7985	1	Push Rod	
WA015	17H7560	1	Circlip	
WA016	GRK1026	1	Cylinder Repair Kit	
WA017	BHA4810	1	Reservoir, Remote	
WA018	AAU3815	1	Reservoir Cap	
WA019	AHH8685	1	Hose, Reservoir To Cylinder	
WA020	AHH8418	1	Reservoir Bracket	
WA021A	GAC5022L	1	Copper Brake Pipe Kit LHD	
WA021B	GAC5040L	1	Copper Brake Pipe Kit RHD	Rubber Bumper
WA021C	GAC5034L	1	Copper Brake Pipe Kit LHD	Single Line Models Up To 1976
WA021D	GAC5050L	1	Copper Brake Pipe Kit RHD	Rubber Bumper

Heater Controls

WA022	BHA4334	1	Heat Control Knob, LHD	'62-'74 (not USA after '70) '62-'70 '70-'74 (not USA)
WA023	BHA4335	1	Air Control Knob, LHD	
WA024	BHH739	1	Air Control Knob, LHD	

Section WB

Export markets Electrical Parts

Head Lights					
No.	Part No.	Qty.	Description	Remarks	
WB001A	27H4146A	2	Vertical Dip Unit Assembly	Europe Except Germany & France	
WB001B	27H5981A	2	Vertical Dip Unit Assembly		
WB002A	GLB410	2	Headlamp Bulb		
WB001C	27H4146A	2	Vertical Dip Unit Assembly		
WB002B	GLB411	2	Headlamp Bulb	Europe Except France	
WB003A	GAC4024	1	Halogen Headlamp Conversion Kit		
WB003B	GLB472		Halogen Bulb	Europe except France	
WB003C	GLB476		Halogen Bulb		
Front Indicators, Chrome Bumper					
WB004A	BHA4966	2	Side and Indicator Lamp	White/Amber Amber/Amber Mainly USA Market	
WB004B	37H4719	2	Side and Indicator Lamp		
WB005A	516306	2	Lens Indicator	Amber White (Italy) Amber (Mainly USA) White Amber (Mainly USA)	
WB005B	516307	2	Lens Indicator		
WB006A	518145	2	Lens Sidelamp		
WB006B	516308	2	Lens Sidelamp		
WB007	606648	2	Lens Side & Indicator		
Front Indicators, Rubber Bumper					
WB008A	BHA5322	2	Indicator Lamp Amber	Italy Only Mainly USA	
WB009A	37H8759	2	Lens Amber		
WB009B	37H8760	2	Lens White		
WB008B	BHA5324	2	Side & Indicator Lamp Amber		
Rear Lamp Assemblies Up To 1969					
WB010A	BHA4175	2	Lamp Assembly Amber/Red	Mainly USA	
WB010B	BHA4176	2	Lamp Assembly Red/Red		
WB011A	57H5354	2	Lens Indicator Amber		
WB011B	57H5359	2	Lens Indicator Red		
WB012	57H5357	2	Lens Stop/Tail Red	Mainly USA	
Rear Lamp Assemblies 1970 On					
WB013A	BHA4973	2	Lamp Assembly Amber/Red		
WB014A	37H4737	2	Lamp Lens Amber/Red		
WB013B	BHA5260	2	Lamp Assembly Red/Amber	Mainly USA	
WB014B	37H7119	2	Lamp Lens Red/Amber		

Section WB Continued

Export Markets Electrical Parts

No.	Part No.	Qty.	Description	Remarks
Rear Number Plate Lights				
WB015	BHA4494	2	Number Plate Light	Germany & Japan Chrome Bumper Models
WB016	502264	2	Cover	
WB017	601724	2	Lens	
WB018	57H5368	2	Gasket	
WB019	AHH7406	1	Number Plate Support Japan	
WB020	AHH7892	1	Number Plate Support Germany	
WB021	AHH8309	2	Spacer	
Reversing Lamps				
WB022	BHA4621	2	Reversing Lamp Assembly Amber	France Only
WB023	37H3400	2	Lens Assembly Amber	

Switches

WB024A	13H2639	1	Flasher Unit, Germany	Up To GHN/D3 138400 GHN/D4 138401 To GHN/D5 360300
WB024B	GFU2121	1	Flasher Unit, Germany	
WB024C	GFU2124	1	Flasher Unit, Germany/Sweden	
WB025	13H6957	1	Brake Test Switch	
WB026	BHH662	1	Brake Test Switch Harness	Switzerland, Belgium, Netherlands & Luxembourg Canada, Sweden & Germany
WB027A	BHA4742	1	Brake Test Switch	
WB027B	BHA4933	1	Brake Test Switch	GHN/D4 138401 To 158370
WB027C	BHA4990	1	Brake Test Switch	Canada, Sweden & Germany GHN/D4 158371 To 187210
WB028A	13H6322	1	Lighting Switch	Canada, Sweden & Germany GHN/D5 187211 To GHN/D5 296000
WB029A	BHA4831	1	Heater Switch	
WB030A	37H2679	1	Hazard Warning Switch	Canada, Sweden & Germany GHN/D5 187211 To GHN/D5 267580
WB030B	37H7422	1	Hazard Warning Switch	Canada, Sweden & Germany GHN/D5 267581 To GHN/D5 296000
WB031A	BHA5003	1	GT Heated Rear Window Switch	Canada, Sweden & Germany GHN/D5 187211 To GHN/D5 296000
WB032	37H4820	1	Fog & Spotlight Switch	Canada, Sweden & Germany GHN/D5 187211 On
WB028B	BHA5191	1	Lighting Switch	Canada, Sweden & Germany GHN/D5 296001 On
WB029B	BHA5192	1	Heater Switch	
WB030C	BHA5193	1	Hazard Warning Switch	
WB031B	BHA5237	1	GT Heated Rear Window Switch	

Section WB Continued

Export Markets Electrical Parts

No.	Part No.	Qty.	Description	Remarks
Switches				
WB033	BHA4897	1	Indicator Stalk Switch	Japan Only GHN/D4 161087 To 187200
WB034A	37H6022	1	Indicator Stalk Switch	Canada, Sweden & Germany GHN/D5 219001 To 328000
WB034B	37H8523	1	Indicator Stalk Switch	Canada, Sweden & Germany GHN/D5 328001 On
WB035	37H8566	1	Switch Clip With Horn Contact	
WB036A	37H2678	1	Wiper/Overdrive Stalk Switch	Canada, Sweden & Germany GHN/D4 219001 To GHN/D5 328000
WB036B	37H8524	1	Wiper/Overdrive Stalk Switch	Canada, Sweden & Germany GHN/D5 328001 To 410000
WB037	AAU4562	1	Lighting Switch	Canada & Other LHD Not USA GHN5 410001 On
WB038	AAU3204	1	Heater Switch	
WB039	AAU3205	1	Hazard Warning Switch	
WB040	AAU4993	1	Indicator Stalk Switch	
WB041	AAU4994	1	Windscreen Wiper Switch	
Fascia Panels				
WB042	HZA613E	1	LHD Fascia (Toggle Switches)	Most LHD Markets 1962-72 Canada & Germany 1962-67
WB043E	HZA4073E	1	LHD Fascia (Rocker Switches)	LHD Markets Except Canada, Germany & Sweden 1972 On

For LHD Gloveboxes & Fascia Fittings, also Canadian, German, Swedish Fascias (1967 on) see
North American Specification MGB Catalogue.

Section WC

Export Market Gauges

No.	Part No.	Qty.	Description	Remarks
Speedometers, KPH Reading				
WC001A	BHA4287E	1	Non O/D 'Jaeger' '62-'64	SN6125/05
WC001B	BHA4467E	1	Non O/D 'Smiths' '64-'65	SN6125/05A
WC001C	BHA4479E	1	Non O/D '65-'67	SN6144/01
WC001D	BHA4708E	1	Non O/D '67-'73	SN6144/21
WC001E	BHA5280E	1	Non O/D '73-'75	SN6144/21BS
WC001F	BHA4289E	1	Overdrive 'Jaeger' '62-'64	SN6125/07
WC001G	BHA4469E	1	Overdrive 'Smiths' '64-'65	SN6125/07A
WC001H	BHA4481E	1	Overdrive '65-'67	SN6144/03
WC001I	BHA4708E	1	Overdrive '67-'69	SN6144/21
WC001J	BHA4813E	1	Overdrive '69-'73	SN6144/24
WC001K	BHA5282E	1	Overdrive '73-'75	SN6144/24BS
WC001L	BHA5340E	1	Overdrive '75-'76	SN5230/14
WC001M	BHA4708E	1	Automatic '67-'69	SN6144/21
WC001N	BHA4869E	1	Automatic '69-'73	SN6144/29

Speedometers, KPH, Germany Only

WC002A	BHA4636E	1	O/D & Non O/D '65-'67	SN5144/15
WC002B	BHA4637E	1	O/D & Non O/D '65-'67	SN6144/13
WC002C	BHA4638E	1	O/D & Non O/D '65-'67	SN6144/14
WC002D	BHA4709E	1	O/D, Non O/D & Auto '67-'69	SN6144/22
WC002E	BHA4870E	1	Automatic '69 Only	SN6144/30

Speedometers, KPH, Germany & Sweden

WC003A	BHA4924E	1	Non O/D '70-'72	SN5227/20
WC003B	BHA4925E	1	Overdrive '70-'72	SN5227/22
WC003C	BHA4926E	1	Automatic '70-'72	SN5227/24
WC003D	BHA5087E	1	Overdrive '72 Only	SN5231/08
WC003E	BHA5164E	1	Overdrive '73-'76	SN5230/95
WC004	BHA4794	1	Angle Drive	Germany & Sweden '70-'73
WC005A	GSD103	1	LHD Speedo Cable Non O/D 3'9"	'62-'67
WC005B	GSD113	1	LHD Speedo Cable Non O/D 4'3"	'68-'76
WC005C	AAU3868	1	LHD Speedo Cable Non O/D 3'11"	'76 on
WC005D	GSD117	1	LHD Speedo Cable O/D 5'0"	'62-'67
WC005E	GSD151	1	LHD Speedo Cable O/D 6'0"	'68-'76
WC005F	AAU3870	1	LHD Speedo Cable O/D '76 On 5'7"	'76 on
WC005G	GSD115	1	LHD Speedo Cable Auto	
WC005H	GSD104	1	Cable, Non O/D, Canada, Sweden, Germany 4'6"	'68-'72
WC005I	GSD113	1	Cable, Non O/D, Canada, Sweden, Germany 4'3"	'72-'76
WC005J	GSD151	1	Cable, O/D, Canada, Sweden, & Germany 6'0"	'68-'76
WC005K	GSD117	1	Cable, Auto, Canada, Sweden & Germany 5'0"	
WC006	BHA4314	1	Tachometer Cable LHD 2'3"	'62-'65

Section WC Continued

Export Market Gauges

No.	Part No.	Qty.	Description	Remarks
Dual Gauges				
WC007A	BHA4296E	1	Oil Press/Water Gauge °C GD1501/04	'62-'64
WC007B	BHA4452E	1	Oil Press/Water Gauge °C GD1501/15	'64-'66
WC007C	BHA4587E	1	Oil Press/Water Gauge °C GD1501/15A	'66-'67
WC007D	BHA4764E	1	Oil Press/Water Gauge °C GD1301/20	'67-'69
Oil Pressure Gauges (Canada, Sweden, Germany 1967 On)				
WC008	BHA4687E	1	Oil Pressure Gauge lbs/in BP1200/02	'67-'72
WC009A	BHA5091E	1	Oil Pressure Gauge lbs/in PL4402/00	'72-'76
WC009B	BHA5092E	1	Oil Pressure Gauge kg/cm PL4402/01	'72-'76
WC010	AAU3033	1	Oil Pressure Gauge lbs/in '76 On PL2324/00	'76 on
Water Temperature Gauges (Canada, Sweden, Germany 1967 On)				
WC011A	BHA4686E	1	Water Temperature Gauge BT2218/00 Cold/Normal/Hot	'67-'72
WC011B	BHA5090	1	Water Temperature Gauge BT2220/02 Cold/Normal/Hot	'72-'76
WC012	AAU3030E	1	Water Temperature Gauge BT2231/01 Cold/Hot	'76 on
Fuel Gauges (Canada, Sweden, Germany 1967 On)				
WC013A	BHA4685E	1	Fuel Gauge BF2223/00	'67-'72
WC013B	BHA4736	1	Fuel Gauge BF2226/00	'72-'76
WC014	AAU3032E	1	Fuel Gauge BF2239/00	'76 on

For gauges not listed in this section, please refer to the following:

RHD Gauges - Sections NA & NB in this catalogue
LHD Gauges - Sections NA-ND in the North American Specification MGB Catalogue

