

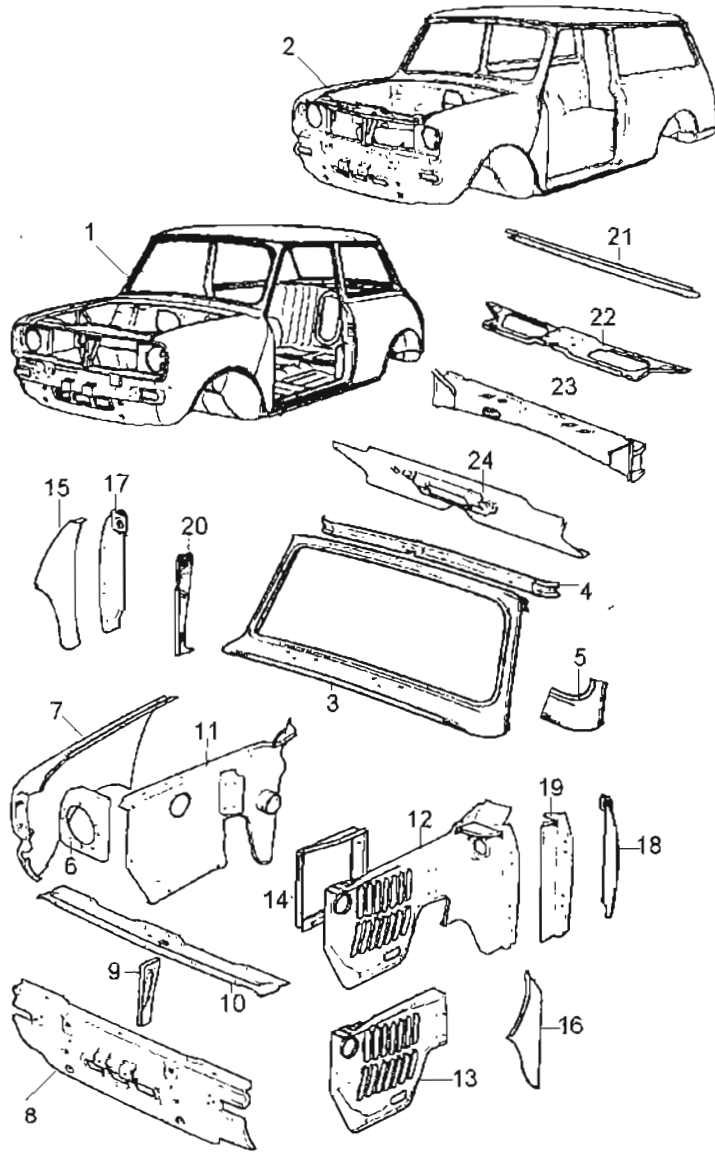
MK1/2 SALOON, VAN, PICKUP ALL HAD EXTERNAL HINGES AND SLIDING WINDOWS
MK3 SALOON, CLUBMAN ESTATE HAD INTERNAL HINGE AND WIND UP WINDOWS
PART NUMBERS

NO.	ROVER	PATTERN	DESCRIPTION	QTY
1	AAC36002		Bodyshell MK4 (require rubber mounted front s/frame)	1 Was BMP461
2	CZH3140		Windscreen surround panel	1
3		MS6R	Windscreen corner panel R/H	1
3		MS6L	Windscreen corner panel L/H	1
4	ALA5790		Front cantrail panel	1
5		MS4E	Front panel pre rubber mounted, was ALA6612	1
5	ASJ36002	MSL4	Front panel, 1976 on, was ALA8619	1
6	AAM1106		Front panel van and pickup, was 14A9566	1 N.L.A.
7	14A7242		Bumper lid panel (on front panel)	1
8	14A8456		Number plate bracket (on 14A7242)	1 N.L.A.
9		MS5R	Front panel corner panel R/H	1
9		MS5L	Front panel corner panel L/H	1
10	14A6476	MS1R	Wing front R/H	1
11	14A6477	MS1L	Wing front L/H	1
10	BMP454		Wing front R/H, 1988 on, with side repeater hole	1
11	BMP455		Wing front L/H, 1988 on, with side repeater hole	1
12	ABD36006		Inner wing R/H MK3 on, was CZH460	1
12	14A7900		Inner wing R/H MK1/2, Van and Pickup	1 N.L.A.
13	14A7901		Inner wing L/H MK1/2, Van and Pickup	1 N.L.A.
14	14A6498		Radiator cowl	1
15	ABD36007		Inner wing L/H, with fan hole only, was ALA6475	1 MK3 on
16	PUB10001		Inner wing radiator guard mesh, for ABD36007	1
17	14A8346	MS7R	Inner hinge panel for 14A6901, R/H MK1/2	1
18	14A8347	MS7L	Inner hinge panel for 14A6902, L/H MK1/2	1
19	MS6XR		R/H closing plate fitted to 14A8346, but not MS7R	1
19	MS6XL		L/H closing plate fitted to 14A8347, but not MS7L	1
20	14A6901	MS8R	Hinge outer panel (cars with external hinge)	1
21	14A6902	MS8L	Hinge outer panel (cars with external hinge)	1
22	ALA6472	MSL7R	Hinge stiffener panel for internal hinge, R/H	1
23	ALA6473	MSL7L	Hinge stiffener panel for internal hinge, L/H	1
24	MSL41R		Hinge stiffener with 3" inner wing repair panel R/H	1
24	MSL41L		Hinge stiffener with 3" inner wing repair panel L/H	1
24	MSL42R		Hinge stiffener with 6" inner wing repair panel R/H	1
24	MSL42L		Hinge stiffener with 6" inner wing repair panel L/H	1
25	ALA5660	MS9R	Hinge scuttle panel R/H MK3 on	1
25	ALA5661	MS9L	Hinge scuttle panel L/H MK3 on	1
26	14A6675		Top facia panel (holds ashtray)	1
27	CZH231		Front parcel shelf panel	1
28	AHC36001		Crossmember dash, was CZH3355	1
29	AAM1028		Toeboard assembly (rubber mounted subframe only)	1
30	CZA81	MS61	Headlamp mounting ring (fitted on new wing)	1

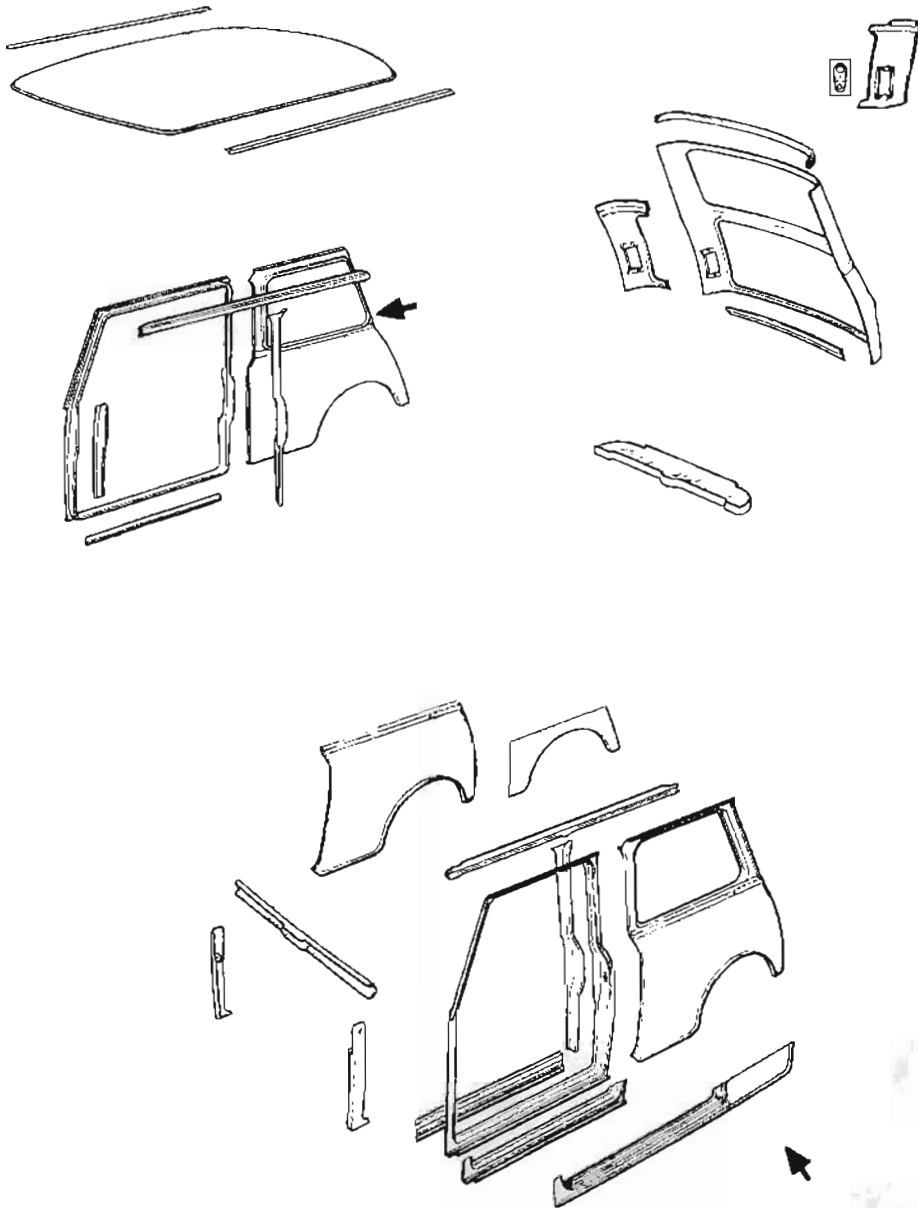
CLUBMAN BODYSHELL AND FRONT END

PART NUMBERS

NO.	ROVER	PATTERN	DESCRIPTION	QTY
1	CZH3232		Clubman bodyshell.....	1 N.L.A.
2	CZH3234		Clubman Estate shell.....	1 N.L.A.
3	CZH3140		Windscreen surround panel.....	1
4	ALA5790		Front cantrail panel.....	1
5		MS6R	Windscreen corner panel R/H.....	1
5		MS6L	Windscreen corner panel L/H.....	1
6	CZH120	MS56R	Headlamp panel R/H.....	1
6	CZH121	MS56L	Headlamp panel L/H.....	1
7	CZH408	MS10R	Front wing R/H (genuine now CWE).....	1
7	CZH409	MS10L	Front wing L/H (genuine now CWE).....	1
8	CZH563	MS37	Front panel pre rubber mounted use AAM1022 for gen 1	
8	AAM1022	MS37L	Front panel rubber mounted.....	1
9	CZH155		Bonnet platform support panel.....	1
10	CZH149	MS149	Bonnet locking platform.....	1
11	CZH414		Inner flitch panel R/H, NLA, use CZH3062.....	1 N.L.A.
12	CZH569		Inner flitch panel L/H, NLA, use CZH3063.....	1 N.L.A.
13	CZH3062		Front part of inner flitch R/H.....	1
13	CZH3063		Front part of inner flitch L/H.....	1
14	CZH570		Radiator cowl panel.....	1 N.L.A.
15	ALA5660	MS9R	Hinge scuttle panel R/H.....	1
16	ALA5661	MS9L	Hinge scuttle panel L/H.....	1
17	ALA6472	MSL7R	Hinge stiffener panel R/H.....	1
18	ALA6473	MSL7L	Hinge stiffener panel L/H.....	1
19		MSL41R	Hinge stiffener with 3" inner wing repair panel R/H.....	1
19		MSL41L	Hinge stiffener with 3" inner wing repair panel L/H.....	1
19		MSL42R	Hinge stiffener with 6" inner wing repair panel R/H.....	1
19		MSL42L	Hinge stiffener with 6" inner wing repair panel L/H.....	1
20	ALA5688		Plate front lower R/H.....	1
20	ALA5689		Plate front lower L/H.....	1
21	14A6675		Facia panel (holds ashtray).....	1
22	CZH231		Front parcel shelf panel.....	1
23	CZH3354		Crossmember dash, was AAM1014.....	1 N.L.A.
24	AAM1028		Toeboard assembly (rubber mounted only).....	1



N.L.A. means NO LONGER AVAILABLE from Rover
 C.W.E. means CEASE production WHEN stocks EXHAUSTED

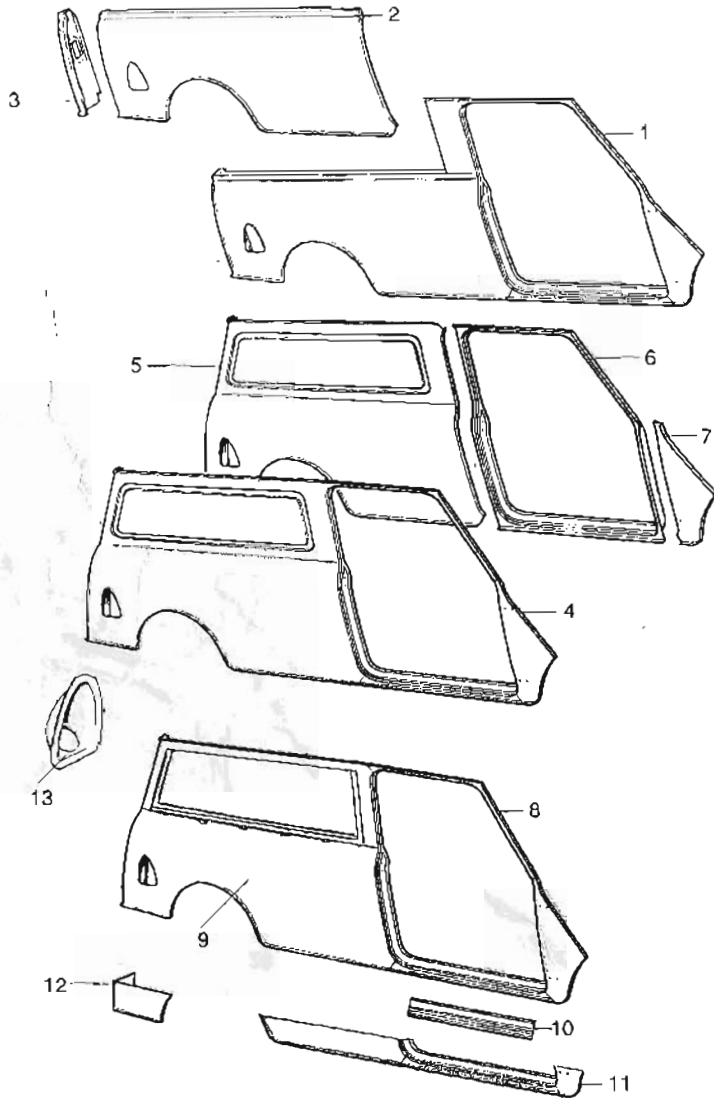


**SALOON BODYSIDES / ROOF / REAR PANEL
PART NUMBERS**

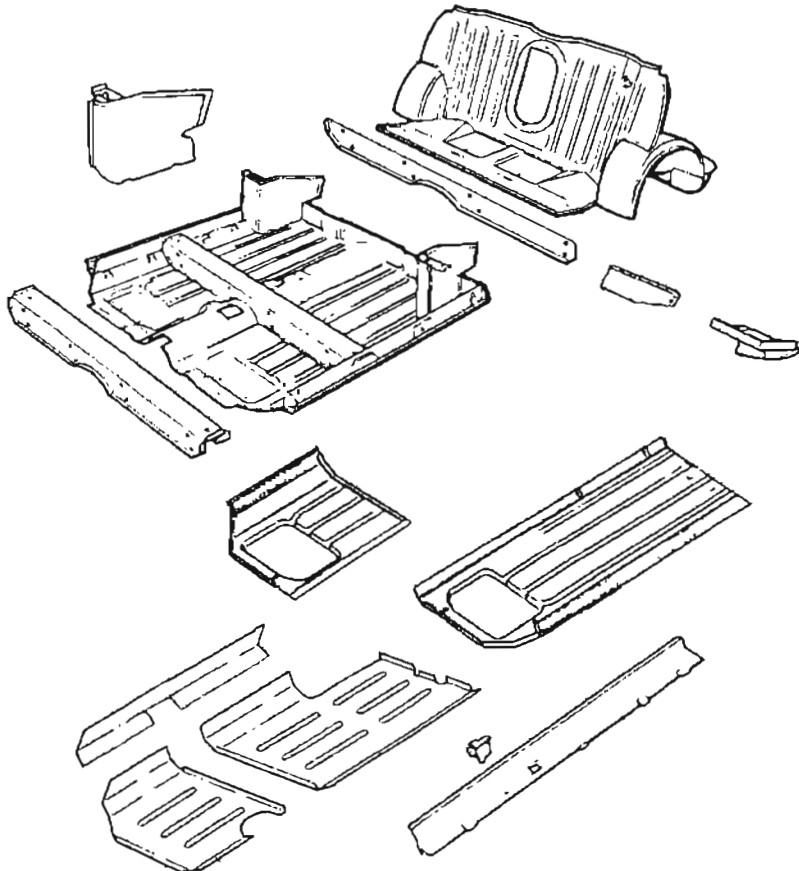
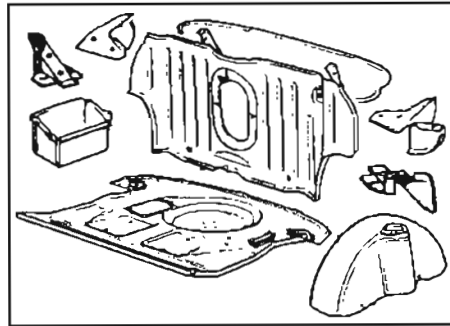
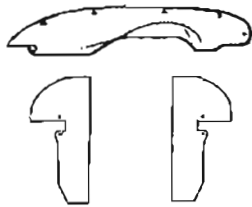
NO.	ROVER	PATTERN	DESCRIPTION	QTY
1	CZH430		Side assembly MK3 R/H.....	1 N.L.A.
1	24A2366		Side assembly MK1/2 R/H.....	1 N.L.A.
2	CZH431		Side assembly MK3 L/H.....	1 N.L.A.
2	24A2367		Side assembly MK1/2 L/H.....	1 N.L.A.
3	14A6899		Doorframe MK1/2 R/H.....	1
3	CZH122		Doorframe MK3 R/H.....	1
4	14A6900		Doorframe MK1/2 L/H.....	1
4	CZH123		Doorframe MK3 L/H.....	1
5		MBS011R	'A' post repair section MK1/2 only, Special order.....	1
5		MBS011L	'A' post repair section MK1/2 only, Special order.....	1
6	24A1430		'B' post, centre pillar R/H MK1/2.....	1 N.L.A.
6	CZH255		'B' post, centre pillar R/H MK3.....	1
7	24A1431		'B' post, centre pillar L/H MK1/2.....	1 N.L.A.
7	CZH256		'B' post, centre pillar L/H MK3.....	1
8	BMP450		Cantrail R/H, was ALA5784 MK3.....	1
9	BMP451		Cantrail L/H, was ALA5785 MK3.....	1
10	ALA5666	MS18R	Bodyside tonneau R/H MK3.....	1
11	ALA5667	MS18L	Bodyside tonneau L/H MK3.....	1
12	BHM13	MS16	Door step panel 34.5" long.....	2
13		MS16R	Full length shaped door step panel R/H MK3 on.....	1
13		MS16L	Full length shaped door step panel L/H MK3 on.....	1
14		MS28R	Door step and lower panel R/H MK1/2.....	1
14		MS28L	Door step and lower panel L/H MK1/2.....	1
14		MSL28R	Door step and lower panel R/H MK3.....	1
14		MSL28L	Door step and lower panel L/H MK3.....	1
15		MS17R	Rear half tonneau R/H MK1/2.....	1 N.L.A.
15		MS17L	Rear half tonneau L/H MK1/2.....	1 N.L.A.
15		MS18R	Rear half tonneau R/H MK3.....	1
15		MS18L	Rear half tonneau L/H MK3.....	1
16		MS46R	Wheel arch repair panel R/H.....	1
16		MS46L	Wheel arch repair panel L/H.....	1
17	14A8372	MBS001R	'A' post boxing plate R/H MK1/2, Special Order.....	1
17	ALA5688		'A' post boxing plate R/H MK3.....	1
18	14A8373	MBS001L	'A' post boxing plate L/H MK1/2, Special Order.....	1
18	ALA5689		'A' post boxing plate L/H MK3.....	1
19	CZH318		Lower facia switch panel.....	1
20	14A6564		Rear parcel shelf panel, was 14A6459.....	1
21	ALA6417		Rear panel MK2/3.....	1
22	CZH3060		Rear lamp panel repair section R/H MK2/3.....	1
22	CZH3061		Rear lamp panel repair section L/H MK2/3.....	1
23		MS026R	Plate, converts MK3 to MK1 rear lamp panel R/H.....	1
23		MS026L	Plate, converts MK3 to MK1 rear lamp panel L/H.....	1
24	CZH3058	MS20	Boot hinge panel.....	1
25	14A6596		Rear cantrail.....	1
26	14A5503		Roof panel.....	1
27	14A8462		Drip rail R/H omitted from 1980 on, Special order.....	1
28	14A8463		Drip rail L/H omitted from 1980 on, Special order.....	1

**BODYSIDES, VAN, PICK-UP AND ESTATE
PART NUMBERS**

NO.	ROVER	PATTERN	DESCRIPTION	QTY
1	ALA8346		Bodyside, Pickup R/H.....	1 N.L.A.
1	ALA8347		Bodyside, Pickup L/H.....	1 N.L.A.
2	14A7555		Side panel Pickup R/H.....	1 C.W.E.
2	14A7556		Side panel Pickup L/H.....	1 N.L.A.
3	14A7557		Rear lamp panel R/H.....	1 N.L.A.
3	14A7558		Rear lamp panel L/H.....	1 N.L.A.
4	ALA8322		Bodyside Mini Van R/H.....	1 N.L.A.
4	ALA8323		Bodyside Mini Van L/H.....	1 N.L.A.
5	14A6897		Side panel Mini Van R/H.....	1
5	14A6898		Side panel Mini Van L/H.....	1 N.L.A.
6	14A6899		Door frame (external door hinge type) R/H.....	1
6	14A6900		Door frame (external door hinge type) L/H.....	1
6	CZH122		Door frame (internal door hinge) R/H MK3.....	1
6	CZH123		Door frame (internal door hinge) L/H MK3.....	1
7	14A6901	MS8R	External hinge, outer panel R/H.....	1
7	14A6902	MS8L	External hinge, outer panel L/H.....	1 Rover CWE
8	CZH2648		Bodyside MK3 internal door hinge R/H.....	1 N.L.A.
8	CZH2649		Bodyside MK3 internal door hinge L/H.....	1 N.L.A.
9	24A433		Side panel R/H MK1/2.....	1 N.L.A.
9	24A434		Side panel L/H MK1/2.....	1 N.L.A.
9	CZH300		Side panel R/H MK3, Clubman Estate.....	1 N.L.A.
9	CZH301		Side panel L/H MK3, Clubman Estate.....	1 N.L.A.
10	BHM13	MS16	Door step panel, fits all.....	2
10		MS16R	Door step panel, tailored R/H MK3, Estate only.....	1
10		MS16L	Door step panel, tailored L/H MK3, Estate only.....	1
11		MS47R	Door step & lower panel R/H, external door hinge.....	1 MK1/2
11		MS47L	Door step & lower panel L/H, external door hinge.....	1 MK1/2
11		MS48R	Door step & lower panel R/H, internal door hinge.....	1 MK3 Estate
11		MS48L	Door step & lower panel L/H, internal door hinge.....	1 MK3 Estate
12		MS50R	Rear lower corner panel R/H.....	1
12		MS50L	Rear lower corner panel L/H.....	1
13	14A8152		Cowl for petrol tank.....	1 N.L.A.



N.L.A. = No Longer Available (If listed on our price list stock may be available)



SALOON - FLOOR AND BOOT PANELS

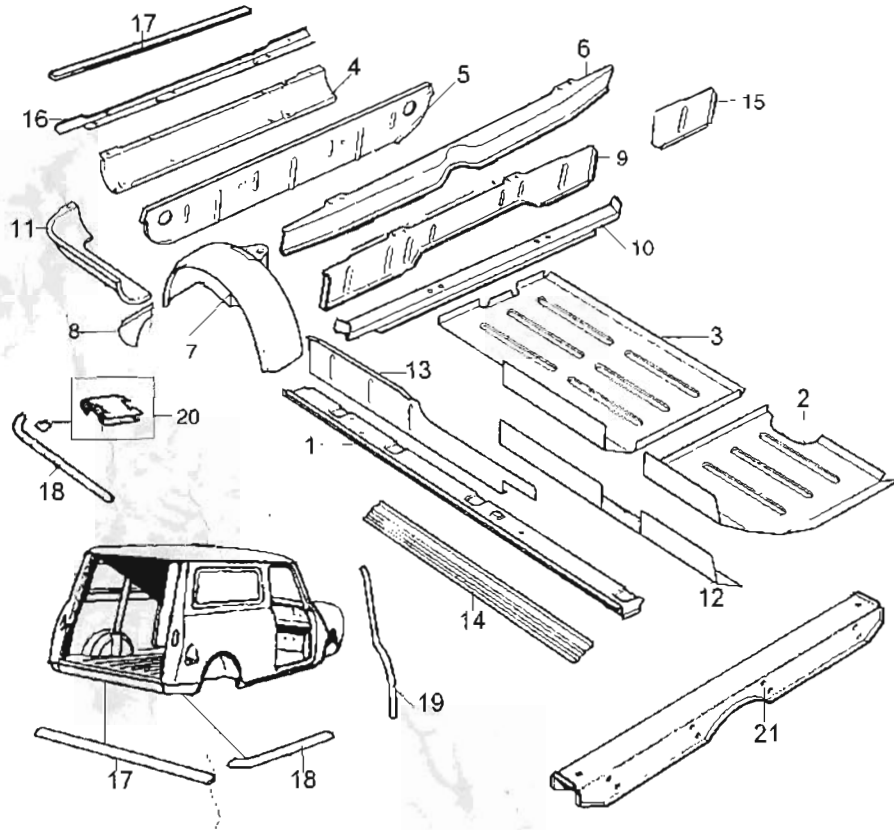
PART NUMBERS

NO.	ROVER	PATTERN	DESCRIPTION	QTY
1	24A2615 use	FS009	Floor assembly MK1/2, less gloveboxes	1 Special order
2	ALA5672		Companion box R/H, fits all	1
3	ALA5673		Companion box L/H, fits all	1
4		14A9533	Crossmember pre May 1976	1 N.L.A.
4	CZH2675		Crossmember, rubber mounted subframe 1976 on	1
5	14A9534		Original sill R/H	1
5	14A9535		Original sill L/H	1
5	BHM3	MS30R	6" wide repair sill R/H MK1/2	1
5	BHM4	MS30L	6" wide repair sill L/H MK1/2	1
5		MS29R	8" wide repair sill R/H MK1/2	1
5		MS29L	8" wide repair sill L/H MK1/2	1
5		MS55R	8" wide repair sill R/H MK3	1
5		MS55L	8" wide repair sill L/H MK3	1
6	14A8336		Jacking point R/H	1
6	14A8337		Jacking point L/H	1
7	BHM9		Genuine floor pan for all models R/H	1
7	BHM10		Genuine floor pan for all models L/H	1
8		MS25R	Front tailored floor pan, R/H up to 1973	1
8		MS25L	Front tailored floor pan, L/H up to 1973	1
8		MSL25R	Front tailored floor pan, R/H 1973 on	1
8		MSL25L	Front tailored floor pan, L/H 1973 on	1
9		FS006R	Front/rear floor pan, inner sill combined R/H	1 Special order
9		FS006L	Front/rear floor pan, inner sill combined L/H	1 Special order
10	BHM11	MS26R	Rear floor pan R/H	1
10	BHM12	MS26L	Rear floor pan L/H	1
11		MS27R	Inner sill panel R/H	1
11		MS27L	Inner sill panel L/H	1
12	AFB360040		Boot floor, valance, wheel arch seat pan assembly	1
13	24A2228		Seat brace	1
14	CZH3353	MS22	Rear valance	1
15	ALA5528	MS40R	Rear valance closing panel R/H	1
16	ALA8623	MS40L	Rear valance closing panel L/H	1
17	14A9558	MS398R	Wheel arch R/H	1
17	ADN360050	MAS398L	Wheel arch L/H was 14A9559	1
18	14A6609	BF010R	Floor to wheel arch bracket R/H	1 Special order
19	14A6610	BF010L	Floor to wheel arch bracket L/H	1 Special order
20	14A6499	MS31	Battery box	1
21		MS54	Boot repair panel 9.5" deep	1
22		MS24R	Boot side repair panel R/H	1
23		MS24L	Boot side repair panel L/H	1
24	14A6611 use	SS008R	Wheel arch filler plate front R/H	1 Special order
24	14A6612 use	SS008L	Wheel arch filler plate front L/H	1 Special order
25		MS51	Full length subframe mounting panel	1 Special order
26		MS51R	Front of rear subframe repair panel R/H	1
26		MS51L	Front of rear subframe repair panel L/H	1

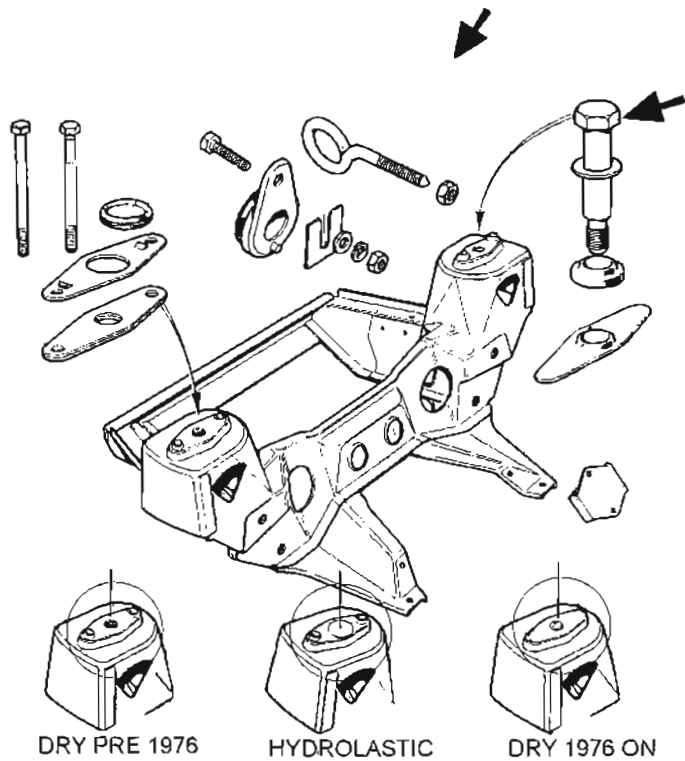
VAN, ESTATE AND PICK UP FLOOR PANELS

PART NUMBERS

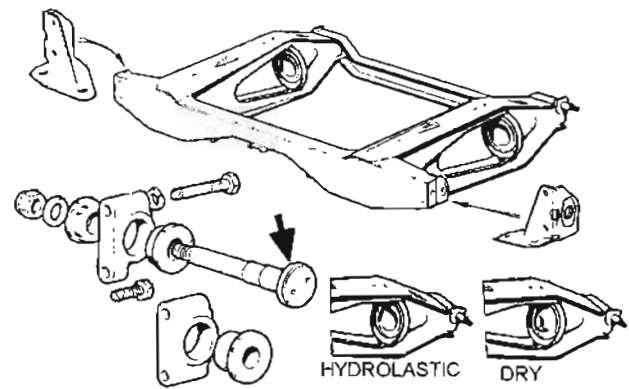
NO.	ROVER	PATTERN	QTY	
1	14A9026	Original sill R/H	1 C.W.E.	
1	14A9027	Original sill L/H	1 C.W.E.	
1	MS49R	6" wide repair sill R/H, MK1/2	1	
1	MS49L	6" wide repair sill L/H, MK1/2	1	
1	MS58R	9" wide repair sill R/H, MK3	1	
1	MS58L	9" wide repair sill L/H, MK3	1	
1	MS57R	9" wide repair sill R/H, MK1/2	1	
1	MS57L	9" wide repair sill L/H, MK1/2	1	
2	BHM9	MS25R	Floor pan R/H pre rod change	1
2	BHM9	MSL25R	Floor pan R/H 1973 on	1
2	BHM10	MS25L	Floor pan L/H pre rod change	1
2	BHM10	MSL25L	Floor pan L/H 1973 on	1
3	BHM11	MS26R	Rear floor pan R/H	1
3	BHM12	MS26L	Rear floor pan L/H	1
4	14A8154	MS23	Centre valance (genuine N.L.A.)	1
5	14A7106		Inner skirt panel rear	1 N.L.A.
6	14A7403		Rear boot floor rail	1 N.L.A.
7	14A9562	MS398R	Rear wheel arch R/H	1
7	14A9561	MS398L	Rear wheel arch L/H	1
8	14A7175		Rear arch to body gusset R/H	1 N.L.A.
8	14A7176		Rear arch to body gusset L/H	1 N.L.A.
9	14A7406		Front of boot floor top rail	1 C.W.E.
10	14A8160		Front of boot floor bottom rail	1
11	14A6908	MS52R	Corner valance R/H	1
11	14A6909	MS52L	Corner valance L/H	1
12	BMP354	MS27R	Inner sill R/H Van only	1 N.L.A.
12	BMP355	MS27L	Inner sill L/H Van only	1 C.W.E.
13	24A237	MS27R	Inner sill R/H Pickup only	1 N.L.A.
13	24A238	MS27L	Inner sill L/H Pickup only	1 C.W.E.
14	BHM13	MS16	Doorstep panel	2
15		MS51R	Front of rear subframe repair panel R/H	1
15		MS51L	Front of rear subframe repair panel L/H	1
16		MS53	Rear doorstep panel	1
17	BMP130		Rear edge moulding, was 14A8368	1 C.W.E.
18	BMP131		Rear corner valance moulding, was 14A7183	2
19	BMP127		Front vertical seam moulding, was 14A9999	2
20	GHF1560		Clip for seam moulding	A/R
20	BMP128		Anti rust clip for seam moulding	A/R
21	14A9533		Crossmember pre May 1976	1
21	CZH2675		Crossmember rubber mount subframe on	1



N.L.A. means NO LONGER AVAILABLE from Rover
 C.W.E. means CEASE production stock WHEN EXHAUSTED factory finished



DRY PRE 1976 HYDROLASTIC DRY 1976 ON



HYDROLASTIC DRY

**SUBFRAMES - FRONT AND REAR
PART NUMBERS**

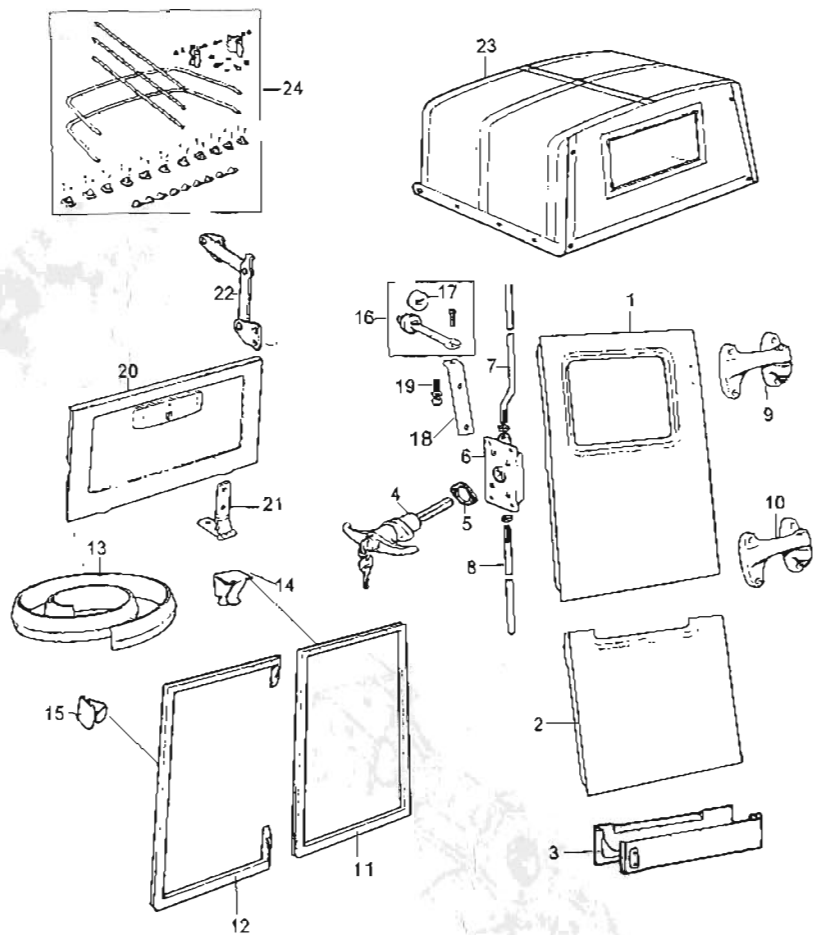
NO.	ROVER	PATTERN	DESCRIPTION	QTY
1	21A1846		Front subframe, hydrolastic	1
1	21A1733		Front subframe, hydrolastic, automatic only	1 N.L.A.
1	21A2570		Front subframe, dry suspension to 1976	1
1	21A1816		Front subframe, dry, automatic only to 1976	1 N.L.A.
1		FAM8108	Front subframe, rubber mounted 1976 on	1
1	KGB10022		Front subframe, genuine 1976 on 1000cc	1
1	KGB10024		Front subframe, automatic 1976	1
1	KGB10027		Front subframe, 1300cc (engine 1/2" forward)	1 1990 on
1	ERA1062		Front subframe, ERA Turbo	1
2	21A1694	HBZ534	Tower bolt for hydrolastic s/frame, was 53K1483 stud	4
3	21A90		Tower bolt for dry subframe, pre 1976	4
4	21A2341		Pad between subframe and body, pre 1976	2 NLA
5	21A1470		Locktab for bolts dry suspension, to 1976	2
6	RFR220		Plug for 21A1470 lock tab	2
7	21A2599		Mounting subframe rear, 1976 on	2
8	21A2624		Mounting subframe front, 1976 on	2
9	2A4292		Packing piece between subframe/front panel, 76 on	A/R
10	GHF103		Bolt	2
11	GHF301		Washer, plain	2
12	GHF302		Washer, spring	2
13	GHF201		Nut	2
14	21A1241		Eyebolt for towing	A/R
15	NT606041		Nut for eyebolt (alternative to GHF202)	A/R
16	KGE100060		Tower to body pad, 1976 on, was 21A2598	2
17	21A2597		Upper tower bolt bush, 1976 on	2
17		C-STR640	Upper turret solid mount kit	1
18	53K3755		Plain washer, 1976 on	2
19	21A2596		Tower bolt rubber mounted subframe, 1976 on	2
20		MS45H	Rear hydrolastic subframe	1
20	KHB10024	MS45D	Rear subframe dry	1
21	21A195		Radius arm bracket, R/H (fitted to new subframe)	1
22	21A197		Radius arm bracket, L/H (fitted to new subframe)	1
23	21A1440		Front support pins, was 2A5815	2
24	2A5818	2A5818MS	Bush when using twin bush type, qty reduced 76 on	4/8
25	2A5819		Trunnion for 2A5818 bush, quantity reduced 1976 on	2/4
26	21A2560		Bush, large single for 21A2558, 1976 on	2
27	21A2558		Trunnion for front support pin, 1976 on	2
28	PWZ207		Washer	4
29	LNZ207	GHF224	Nut	4
30	SH605181		Long trunnion bolt	4/6
31	GHF332		Washer	8
32	GHF120		Bolt, short for 2A5819	2/4

2A5818 is 1.125" diameter
21A2560 is 1.5" diameter

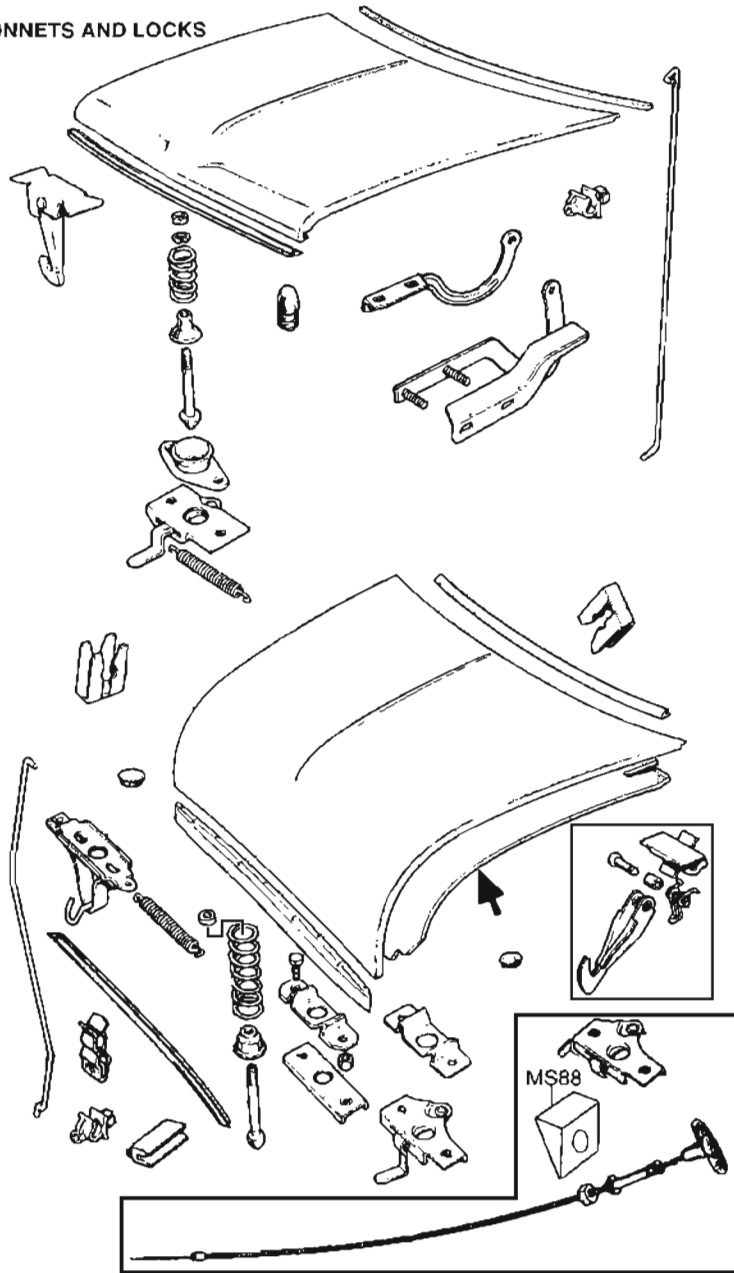
REAR DOORS, PICK UP TAILGATE AND TILT COVER

PART NUMBER

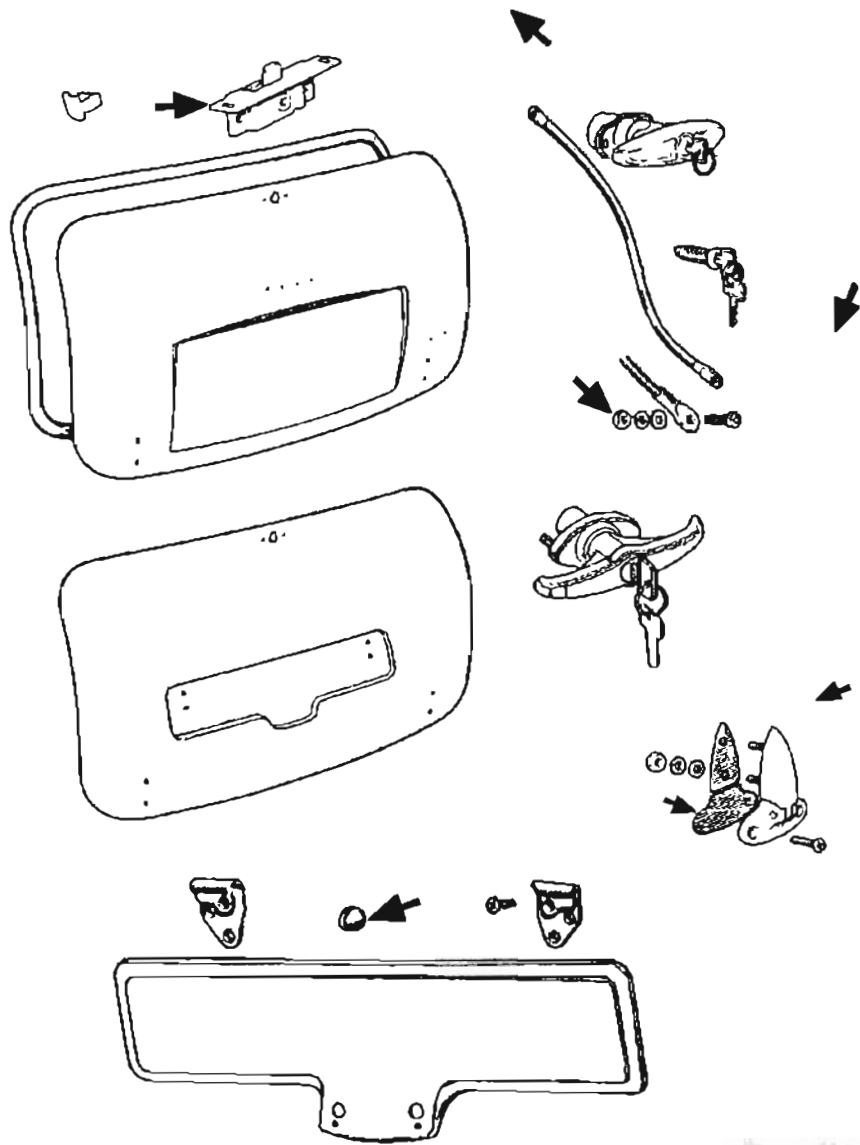
NO.	ROVER	PATTERN	DESCRIPTION	QTY
1	14A8096		Rear door R/H Van and Estate	1
1	14A8097		Rear door L/H Van and Estate	1
2		MS21R	Rear door repair skin R/H	1
2		MS21L	Rear door repair skin L/H	1
3		MS32R	Rear door lower repair section R/H (2 pieces)	1
3		MS32L	Rear door lower repair section L/H (2 pieces)	1
4	14A7194		Rear door handle except wood Estate	1
4	14A7675		Rear door handle wood Estate only	1
5	14A8429		Rear door handle seal, use CZH1747	1
6	EAM6891		Rear lock assembly	1
7	14A7191		Locking rod top	1
8	14A7192		Locking rod lower	1
9	AFA1490		Upper hinge R/H, use KMM170 as repair kit	1 N.L.A.
9	AFA1491		Upper hinge L/H, use KMM170 as repair kit	1 N.L.A.
10	AFA1492		Lower hinge R/H, use KMM170 as repair kit	1 N.L.A.
10	AFA1493		Lower hinge L/H, use KMM170 as repair kit	1 N.L.A.
	KMM170		Repair kit for AFA1490/1/2/3	1
11	14A7608		Rubber seal rear door R/H	1
12	14A7609		Rubber seal rear door L/H	1
13	37H9873M		Top door seal /metre	1 C.W.E.
14	14A7610		L/H door seal clip (2 per car)	2
15	14A6585		Door seal clip (57 per car)	57
16	CZH3327		Check arm, was 14A7283 and CZH994	2 N.L.A.
17	ADA5677		Check arm, rubber	2 N.L.A.
18	14A8407		Check arm bracket R/H	1
18	14A8408		Check arm bracket L/H	1
19	14A7284		Coil spring	2
20	CZH3293		Tailgate Mini pickup	1 C.W.E.
21	14A7755		Hinge for tailgate Mini pickup	2
22	14A7761		Tailgate stay R/H Mini pickup	1
22	14A7762		Tailgate stay L/H Mini pickup	1
23	14E3060		Rear tilt cover Mini pickup	1
24	14A9732		Tilt rail kit	1



BONNETS AND LOCKS

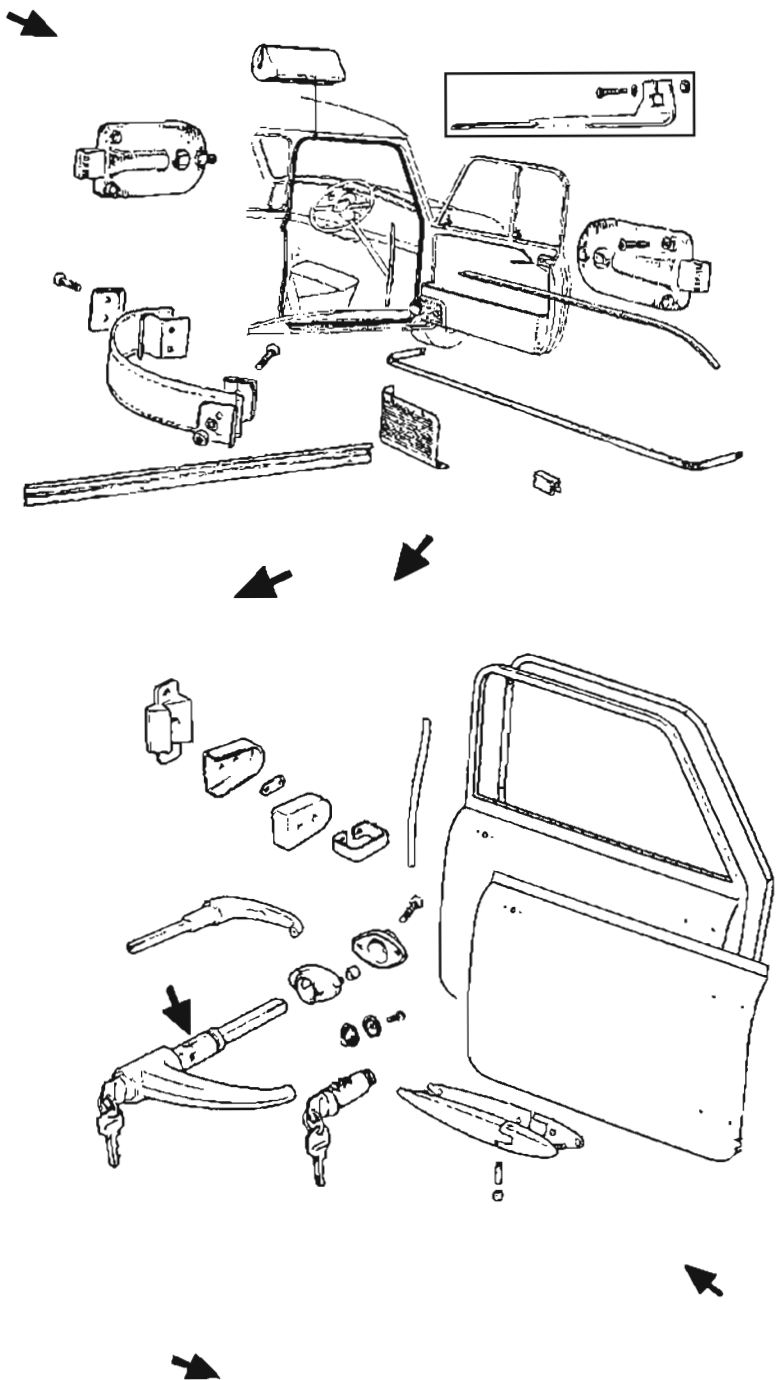


NO.	ROVER	PATTERN	DESCRIPTION	QTY
1	CZH2609	CZH2609MS	Clubman bonnet	1
2	CZH200		Bonnet prop	1 N.L.A.
3	14A366		Bonnet catch	1 N.L.A.
4	24A859		Bonnet metal clip	1
5	GHF1120		Plastic clip for bonnet prop	1
6	AAU5486A		Bonnet buffer, Clubman, was GHF1390	2
7	14G2444		Bonnet pin, Clubman	1
8	4G3676		Thimble	1
9	4G1588		Spring for pin	1
10	NT606041		Nut for bonnet pin, was GHF202	1
11	24G3169		Locating cup, Clubman	1
12	CZH2610		Bonnet lock, Clubman	1 N.L.A.
13	4G2494		Spring, was 24G3591, on Clubman	1
14	JRC7008		Rear drain seal, was EAM6882/3	1
14	14A9010		Original sponge seal to 1976	1 C.W.E.
14	CJE10021		Sticky backed rear drain seal, from May 1992 on	1
15	JRC7898		Front drain seal, Clubman and Mini	1
16	CZH296	MS2	Mini bonnet MK1 without lip (genuine is NLA)	1
16	CZH455	MSL2	Mini bonnet with lip fitted, 1970 on	1
17	ALA6664	MS3	Bonnet lip for holding chrome moulding	1
18	ALA7608		Safety catch	1
19	BKD360030		Bonnet prop, was 24A857/ BKD36001	1
20	CZH209		Metal clip 1970 on	1
21	14A6586		Mini bonnet pin	1
22	ADA458		Spring cup	1
23	FPQ10001		Spring for pin, was 14B2846	1
24	ALA6992		Slider catch, MK1/2	1
25	ADH456		Slider support	1 N.L.A.
26	ADA463		Guide plate, use AAM1223	1 N.L.A.
27	ADA464		Distance piece	2
28	AAM1206		Bonnet lock, MK3 on	1
29	AAM1223		Guide plate for AAM1206	1
30	FPS10002		Bonnet lock for cable type Sep 1993 on	1
31	FSE10020		Cable for internal bonnet lock Sep 1993 on	1
32		GS130273	Bonnet lock kit (with MS88 cable bracket)	1
33	14G6856		Bonnet buffer	2
34	2H9215		Prop rubber stop MK1/2	1
35	2H7274		Fitch plate rubber plug	4
36	47H9615		Tailored felt sound proofing for bonnet, 4 segments	1
37	CZH150		Hinge R/H, Clubman to 1971	1 C.W.E.
37	CZH151		Hinge L/H, Clubman to 1971	1 C.W.E.
37	CZH146		Hinge R/H, Mini 1970-71 only	1
37	CZH147		Hinge L/H, Mini 1970-71 only	1
38	14A7246		Hinge R/H, MK1/2	1 N.L.A.
38	14A7247		Hinge L/H, MK1/2	1 N.L.A.
38	CZH530		Hinge R/H, Clubman and Mini 1971 to 1980	1 C.W.E.
38	CZH531		Hinge L/H, Clubman and Mini 1971 to 1980	1 C.W.E.
38	BMP348		Hinge R/H, 1980 on, replaces CZH530 in pairs	1
38	BMP349		Hinge L/H, 1980 on, replaces CZH531 in pairs	1
39	14A6714		Bonnet bracket R/H, required if fitting CZH455 to MK1	1
39	14A6715		Bonnet bracket L/H, required if fitting CZH455 to MK1	1 N.L.A.



BOOTLID AND MK1/2 NUMBER PLATE

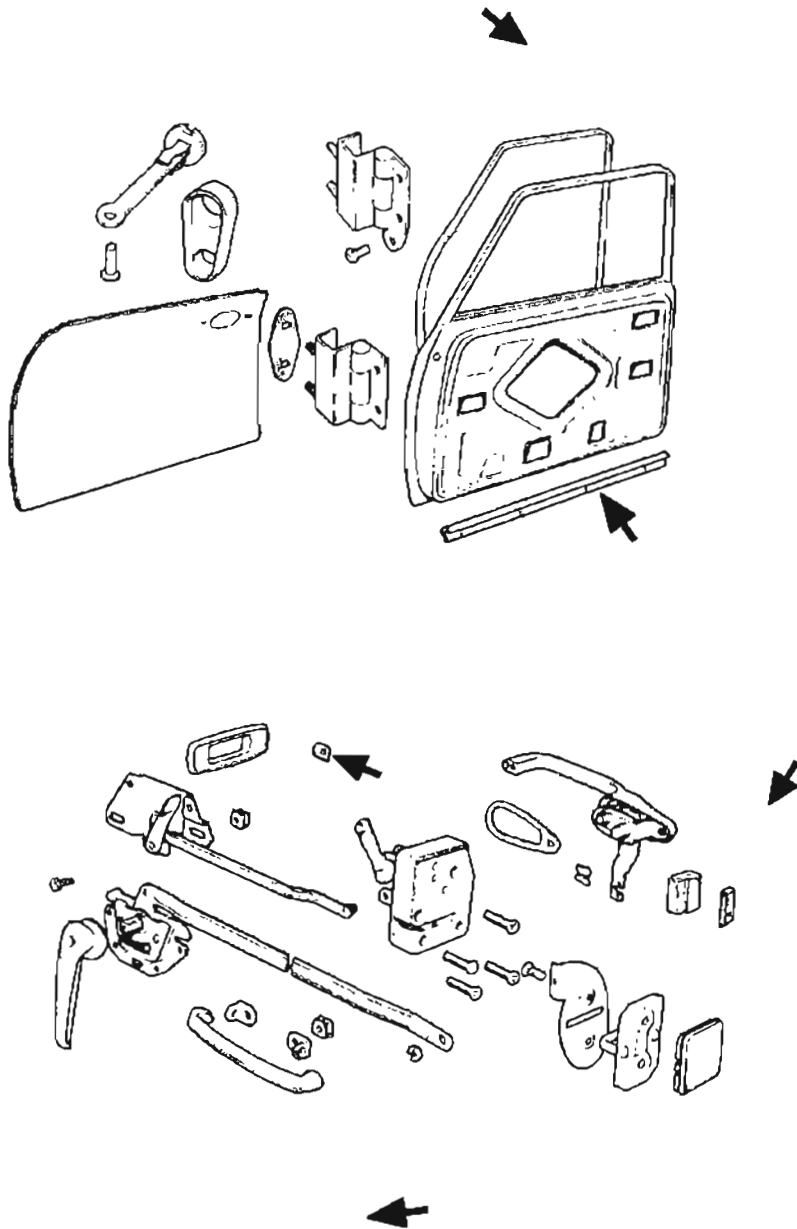
PART NUMBERS				
NO.	ROVER	PATTERN	DESCRIPTION	QTY
1	BMD36001	MS19	Bootlid 1970 on, was BMP339	1
1		MS19S	Bootlid with double skin	1
2		MS112	FIBREGLASS ONLY MK1/2 bootlid (METAL N.L.A.)	1
3	14A6584		Bootlid seal, fits boot with clip holes	1
3	CKE10018		Bootlid seal, fits on body when boot has no clip holes	1
4	14A6585		Clips for 14A6584 seal	26
5	14A5696		Lock assembly	1
6	BMB360040		Boot hinge R/H, was BMB36002/CZH3272	1
6	BMB360050		Boot hinge L/H, was BMB36003/CZH3273	1
7	SG604051		Screw for boot hinge	4
8	GHF300		Plain washer	8
9	GHF331		Spring washer	8
10	GHF200		Thin nut	8
11	24A2175		Gasket, for upper boot hinge	2
12	24A2176		Gasket, for lower boot hinge	2
13	14A7194		Boot handle assembly, Chrome original MK1/2 shape	1
14	JRC2844		Boot handle assembly, Chrome 1970 on	1
14	JRC2843		Boot handle assembly, Black	1
14	JRC8182		Boot handle assembly, Nimbus	1
14	CXB101260MMM		Chrome rear handle, 1992 on	1
14	CXB101260PMD		Black rear handle, 1992 on	1
15	BARREL SET		Three barrel car set, MK3 on, Saloon	1
15	27H9634		Door and boot lock barrel set MK1/2	1
16	CZH1747		Boot handle to boot seal	1
17	14A6740		Boot cable	2
18	PMZ308		Screw for boot cable, (SE910281 longer alternative)	4
19	GHF206		Nut for cable screw	2
20	14A6468		Rear number plate, MK1/2	1
21	14A6466		Hinge for number plate, R/H	1
22	14A6467		Hinge for number plate, L/H	1
23	CMZ308		Screw for hinge	6
24	14A7625		Buffer for boot to number plate	2
	14A9838		Liner board kit for single skin bootlid (NOT SHOWN)	1 Cooper pre 67
			(This black bootlid liner will fit any single skin type)	



FRONT DOOR - SLIDING WINDOW TYPE

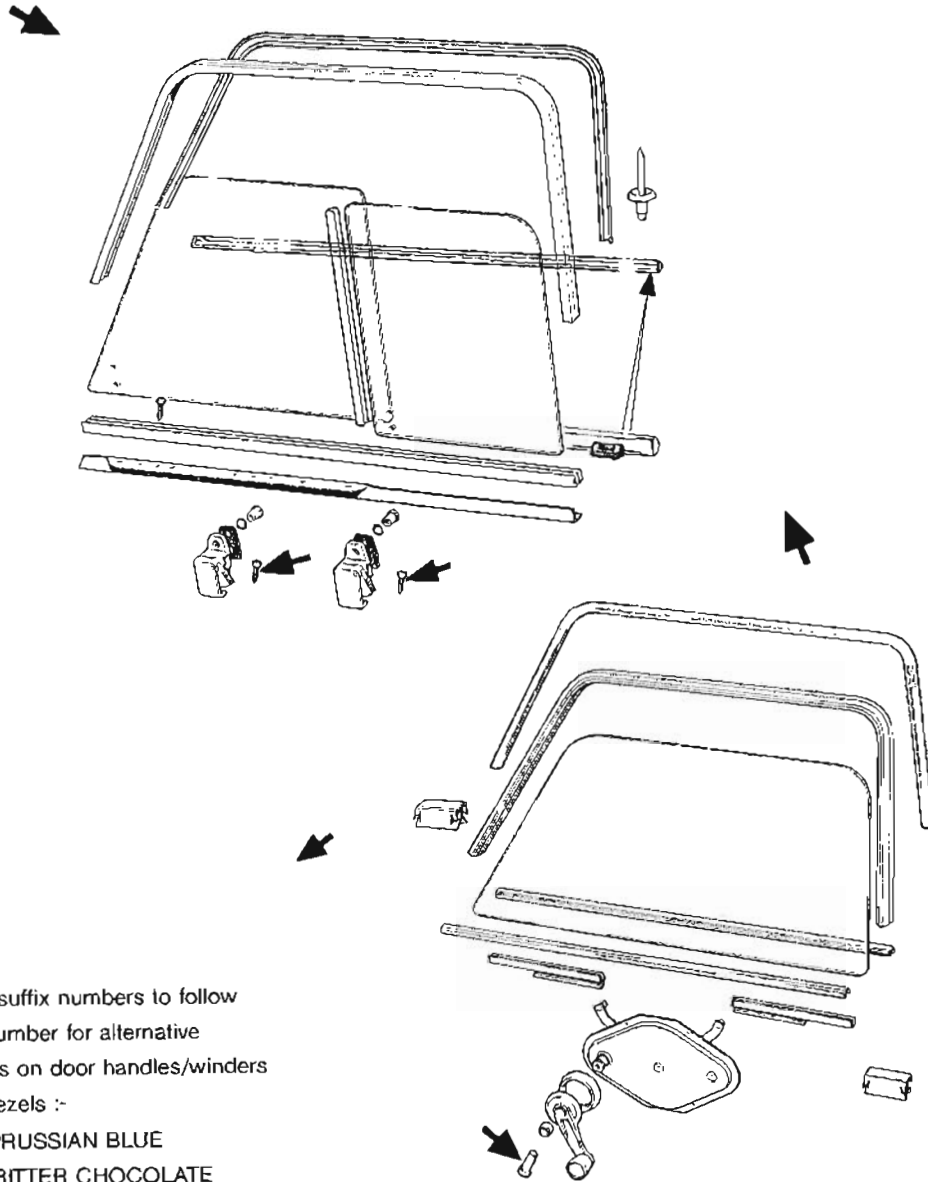
NO.	ROVER	PATTERN	DESCRIPTION	QTY
1	14A8306		Door for sliding window type, R/H	1 NLA
1	14A8307		Door for sliding window type, L/H	1 NLA
2	14A5498	MS12R	Door skin for sliding window type, R/H	1
2	14A5499	MS12L	Door skin for sliding window type, L/H	1 ROVER NLA
3	14A7930		Drain hose for door	4
4	14A6818		Top door hinge, R/H	1
4	14A6819		Top door hinge, L/H	1
4	14A6820		Lower door hinge, R/H	1
4	14A6821		Lower door hinge, L/H	1
5	BMP135		Hinge gasket, small	4
6	ALA7844		Hinge gasket, large	4
7	37H3044		Pin for hinge	4
8	37H3043		Bush for hinge repair	4
9	24A2143		Lock with safety catch, R/H (LHD)	1
9	24A2144		Lock with safety catch, L/H (RHD)	1
10	24A2145		Lock without safety catch, R/H (RHD)	1
10	24A2146		Lock without safety catch, L/H (LHD)	1
11	RMZ316		Door lock screw	6
12	14A6832		Striker	2
13	14A6835		Buffer plate	2
14	14A6834		Fixing plate	2 NLA
15	14A6833		Nylon door buffer	2
16	14A7680		Dovetail	2 NLA
17	24A1140		Locking handle, MK1 to 1966	1
17	24A2083		Locking handle, 1966 on	1
18	14A6829		Non locking handle to 1966	1
18	24A1833		Non locking handle 1966 on	1
19	27H9634		Barrel set, (2 barrels) for door and boot	1
20	24A2245		Escutcheon for handle, R/H	1
20	24A2246		Escutcheon for handle, L/H	1
21	24A2086		Distance piece	4 NLA
22	ADA3817		Seal, Escutcheon to door	2
23	PMZ308		Screw for Escutcheon	4
24	24A1169		Glove pocket moulding	2
25	ADH3809		Clip for moulding, was GHF1561	A/R
26	24A1517		Door upper edge strip	2
27	GLZ119A		Interior door handle	2
28	ALE1221		Check strap, Black	2
28	14E4289		Check strap, Red	2
28	14E4290		Check strap, Grey	2
28	14E4291		Check strap, Green	2
29	14A764		Retainer (2 per strap)	4
30	14A6745		Check strap bracket	2
31	14A6744		Check strap stiffener	2
32	SG604073		Check strap bolt	8
33	24A1834		Safety boss, 1966 on	2
34	24A1835		Safety boss grommet, 1966 on	2
35	14A7270		Alloy door seal kick strip	1 pr
36	14A7176		Door kick shield, R/H	1
36	14A7177		Door kick shield, L/H	1
37		XGA9934	Door seal	2

FRONT DOOR - WIND UP WINDOW TYPE



NO.	ROVER	PATTERN	DESCRIPTION	QTY
1	BMP306		Door for wind up windows R/H, was BMP322	1
1	BMP307		Door for wind up windows L/H, was BMP323	1
2	CZH3300	MS11R	Door skin R/H, wind up window type only	1
2	CZH3301	MS11L	Door skin L/H, wind up window type only	1
3	CZH202		Upper hinge R/H	1
3	CZH203		Upper hinge L/H	1
4	CZH212		Lower hinge	2
5	ALA6381		Metal washer / spacer	4
6	ADA5671		Door check arm	2
7	CLZ412		Clevis pin	2
8	CZH4052		Door check arm seal R/H	1
8	CZH4053		Door check arm seal L/H	1
8	CGE10038		Door check arm seal R/H 1986 on	1
8	CGE10039		Door check arm seal L/H 1986 on	1
9	CZH3528		Lock assembly R/H	1
9	CZH3529		Lock assembly L/H	1
10	SF604101		Screw for lock	8
11	CZH616		Lock control assembly R/H	1
11	CZH617		Lock control assembly L/H	1
11	EKU100020MMM		Lock control R/H, 1993 on	1
11	EKU100030MMM		Lock control L/H, 1993 on	1
12	GHF1021		Plastic nut	8
13	CZH640		Remote control R/H	1
13	CZH641		Remote control L/H	1
14	13H2899		Link clip, was CZA2509	2
15	CZH611PA		Lock control plastic bezel, Black	2
16	JPC8387PA		Door opening plastic handle, was 34G2529	2
16	G283		Door opening chrome handle, without escutcheon	2
17	PMP308		Screw for handle, use PMZ308	2
18	CZH627		Striker lock	2
19	CZH628		Plug for strike plate hole	2
20	SF604061		Screw for striker and door hinge	A/R
21	CZG5254		Striker plate R/H, was CZD1184	1
21	CZG5254		Striker plate L/H, was CZD1185	1
21	CZG5254		Striker plate 1990 on	2
22	CZD1350		Plate seal rubber retainer	2
23	CZD1351		Plate seal rubber	2
24	CZH762		Door pull handle	2
25	CZH763		Handle end boss, Chrome	4
26	CZH886		Locking handle assembly, Chrome R/H	1
26	CZH887		Locking handle assembly, Chrome L/H	1
26	JRC2841		Locking handle assembly, Black R/H	1
26	JRC2842		Locking handle assembly, Black L/H	1
26	JRC8180		Locking handle assembly, Nimbus R/H	1
26	JRC8181		Locking handle assembly, Nimbus L/H	1
27	37H6519		Operating link retainer	2
28	ALA5795		Handle large gasket	2
29	CZH1729		Handle small gasket	2
30		CGA2835MS	Door seal	2
31	ALA7613		Door seal plastic kick strip	2

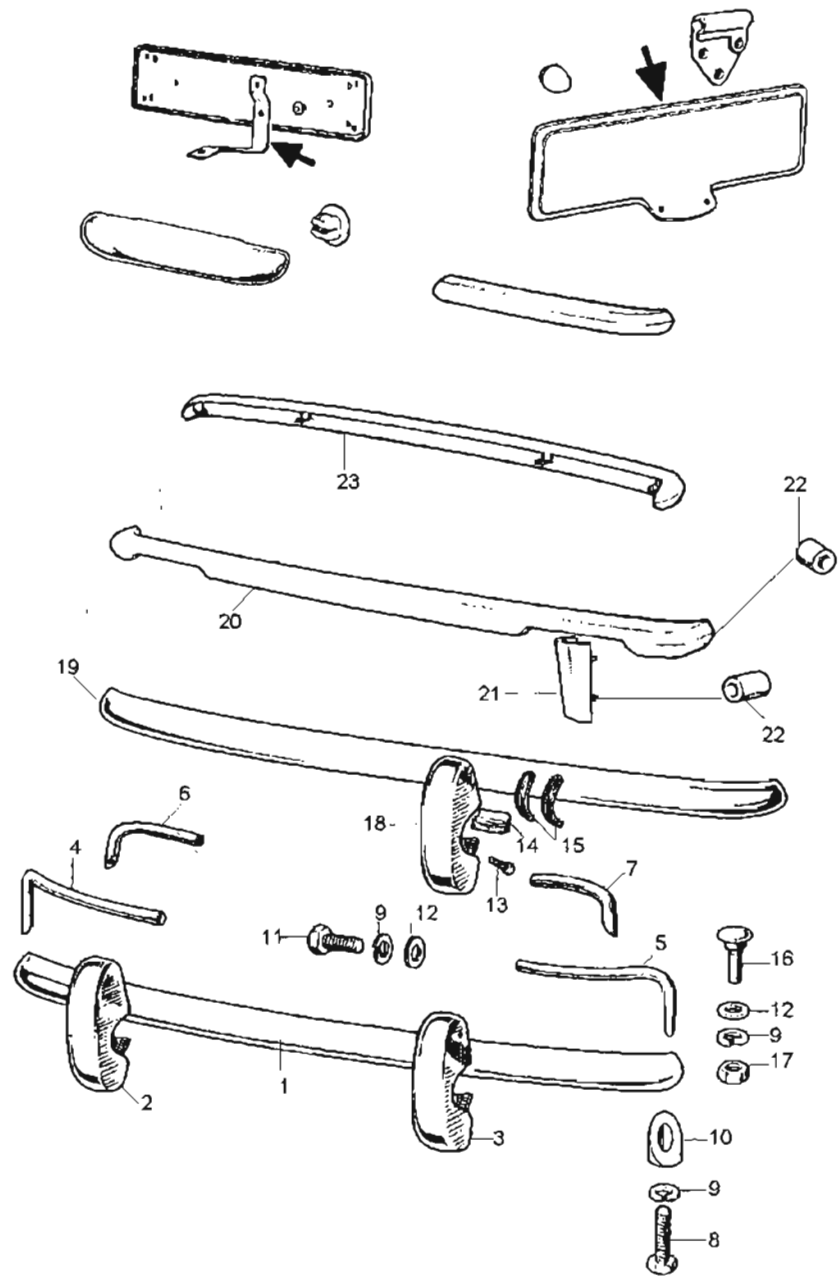
FRONT DOOR GLASS, CHANNELS, CATCHES AND REGULATORS



NO.	PART NO.	DESCRIPTION	QTY
1	14A7811	Front door glass sliding window type	2
2	14A7810	Rear door glass sliding window type	2
3	24A88	Lower sliding glass channel	2
4	GHF400	Screw for channel to door	12
5	24A1303	Lower channel and catch retainer strip, R/H	1
5	24A1304	Lower channel and catch retainer strip, L/H	1
6	14A7167	Upper door glass channel (felt type, easy fit)	2
6	MS59	Original hard type upper door channel (52.5" long)	A/R per ft
7	EAM8530	Draught excluder, R/H	1
7	EAM8531	Draught excluder, L/H	1
8	14A9773	Upper door moulding, Cooper and 'S' R/H, MK1/2	1
8	14A9774	Upper door moulding, Cooper and 'S' L/H, MK1/2	1
9	13H743	Pop rivet for upper door moulding	24
10	24A341	Lower door moulding, Cooper and 'S' R/H, MK1/2	1
10	24A342	Lower door moulding, Cooper and 'S' L/H, MK1/2	1
11	13H525	Lower door moulding clip (alternate to 13H744 rivet)	8/10
12	24A1194	Front plastic catch, R/H	1
12	24A1195	Front plastic catch, L/H	1
13	24A1196	Rear plastic catch, R/H	1
13	24A1197	Rear plastic catch, L/H	1
14	24A1198	Window catch seal	4
15	14A7065	Washer for 14A8151 boss	4
16	14A8151	Chrome boss	4
17	RMP307	Screw for chrome boss	4
18	ALA5723	Front door glass, wind up type clear	2
18	CZH4007	Front door glass, wind up type Sundym	2
19	PAM3076	Glass upper door seal, R/H	1
19	PAM3077	Glass upper door seal, L/H	1
20	CZH1666	Lower outer moulding and seal, R/H	1
20	CZH1667	Lower outer moulding and seal, L/H	1
20	PAM1014	Moulding with black end caps, 1981 on, R/H	1
20	PAM1015	Moulding with black end caps, 1981 on, L/H	1
21	ADH3809	Clip for outer moulding, was GHF1561	8/10
22	ALA5772	Inner moulding and seal 1" high R/H, use EJU10003	1 NLA
22	ALA5773	Inner moulding and seal 1" high L/H, use EJU10003	1 NLA
22	EJU10003	Inner moulding and seal 1/2" high, was JPC8153	2
23	EJU10004	Clip for moulding, was GHF1560 <i>GHF1560 M.U.</i>	8
24	MS67	Wind up window upper door moulding, R/H	1
24	MS68	Wind up window upper door moulding, L/H	1
25	ALA5746	Front glass regulator channel	2
26	ALA5747	Rear glass regulator channel	2
27	CZH646	Window regulator, R/H	1
27	CZH647	Window regulator, L/H	1
28	G282	Window winder handle, Chrome	2
28	CZA7109	Window winder handle, Black	2
28	YGA4330	Window winder handle, Black, 1982-83	2
28	YXX3199PA	Window winder handle, Black, 1983 on	2
29	CZH701PA	Bezel for window winder handle	2
30	YXX3200PA	Plug for YXX3199PA	2
31	ZKC3317	Flanged screw for CZA7109	2 NLA
31	ADU8081	Screw for YXX3199PA	2

Code suffix numbers to follow part number for alternative colours on door handles/winders and bezels :-

- JH - PRUSSIAN BLUE
- CC - BITTER CHOCOLATE
- LG - FLINT
- PA - BLACK
- LDY - GRANITE
- LNF - ASH GREY
- ie: YXX3199LDY

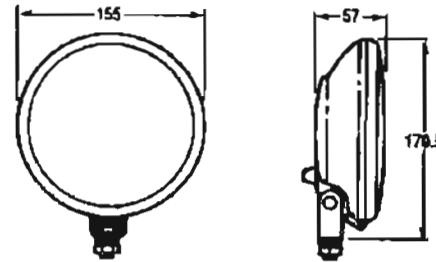
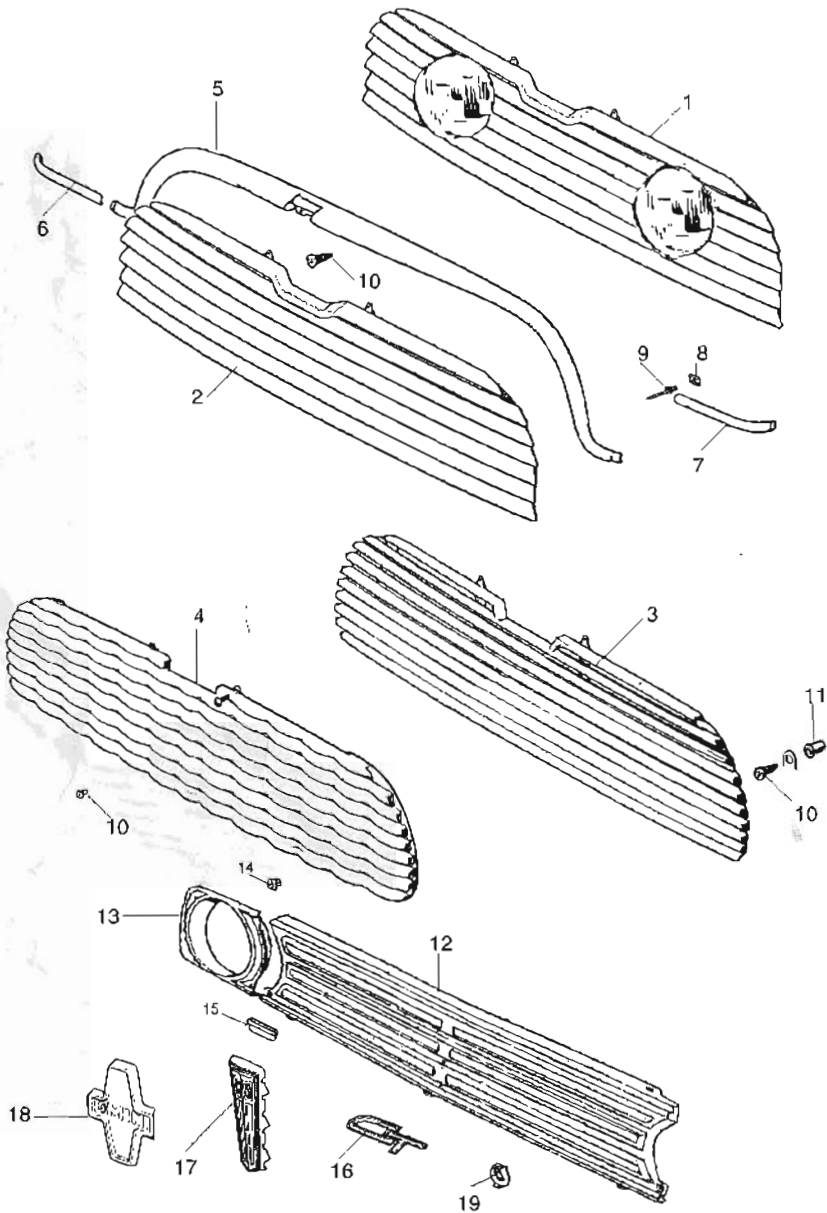


BUMPERS AND ALL REAR NUMBER PLATES

PART NUMBERS				
NO.	ROVER	PATTERN	DESCRIPTION	QTY
1	14A9871		MK1 Bumper with corner bar holes	2
2	14A9923		Drilled overrider for corner bars o/s/l/f and n/s/r	2
3	14A9924		Drilled overrider for corner bars n/s/f and os/r	2
4	14A9877		Front right hand corner bar	1
5	14A9878		Front left hand corner bar	1
6	14A9919		Rear right hand corner bar	1
7	14A9920		Rear left hand corner bar	1
8	GFFK5170		Bolt corner bar to bumper (Part of MSSK10)	1 (was GHF102)
9	GFK1124		Spring washer (Part of MSSK10)	1 (was GHF331)
10	14A9879		Alloy distance piece (Part of MSSK10)	1
11	GFK5179		Bolt for corner bar to overrider (Part of MSSK10)	1 (was GHF117)
12	GFK1113		Plain washer (Part of MSSK10)	1 (was GHF300)
13	SH605101		Overrider bolt (Part of MSSK10)	4
14	14A7598		Overrider fixing bracket (Part of MSSK10)	4
15	37H9871M		Seating for overrider, 6" per o/ri/der (Part of MSSK10)	1 per metre
		MSSK10	Fitting kit for MK1 bumper/overrider/corner bar	1
		MSSK11	Fitting kit for MK2 overrider (car set)	1
		MS25	Pair of MK1 bumpers plus all fittings	1
16	14SA7304		Bumper bolt not Clubman (already fitted to bumper)	1
17	GFFK3211		Nut, was GHF200	1
18	14A8738		Overrider, plain, MK2	4
19	DPB10165	DPB10165MS	Bumper, stainless steel	2
19		14A6779MS	Bumper, chrome	2
19	DPB10085PMG	CZH4341MS	Bumper, black	2
19	JRC8268		Bumper, nimbus	2
20	CZH600		Clubman chrome front bumper	1
21	CZH1762		Underider for Clubman	2
22	CZH606		Spacer for underider and bumper	4
23	JRC8296		Nimbus bumper Mini 25 and Export	2
23	EAM9219		Black bumper, fits Clubman rear or Mini front/rear	2
23	CZH605		Clubman chrome rear bumper except Estate	1
24	CZH900		Rear 1/4 bumper R/H Clubman Estate	1
24	CZH901		Rear 1/4 bumper L/H Clubman Estate	1
25	14A7550		Rear 1/4 bumper chrome except Clubman	2
25	EAM9248		Rear 1/4 bumper black except Clubman	2 N.L.A.
26	14A7625		Rear number plate buffer MK1/2	2
27	14A6468		MK1/2 rear number plate	1
28	14A6466		R/H hinge for number plate, 14A6468	1
28	14A6467		L/H hinge for 14A6468	1
29	14A7552		Rear number plate Van/Estate	1
30	14A8366		Bracket for 14A7552	2
31	GHF1030		Plastic nut for 14A7552	2

GRILLES - MK1 AND CLUBMAN

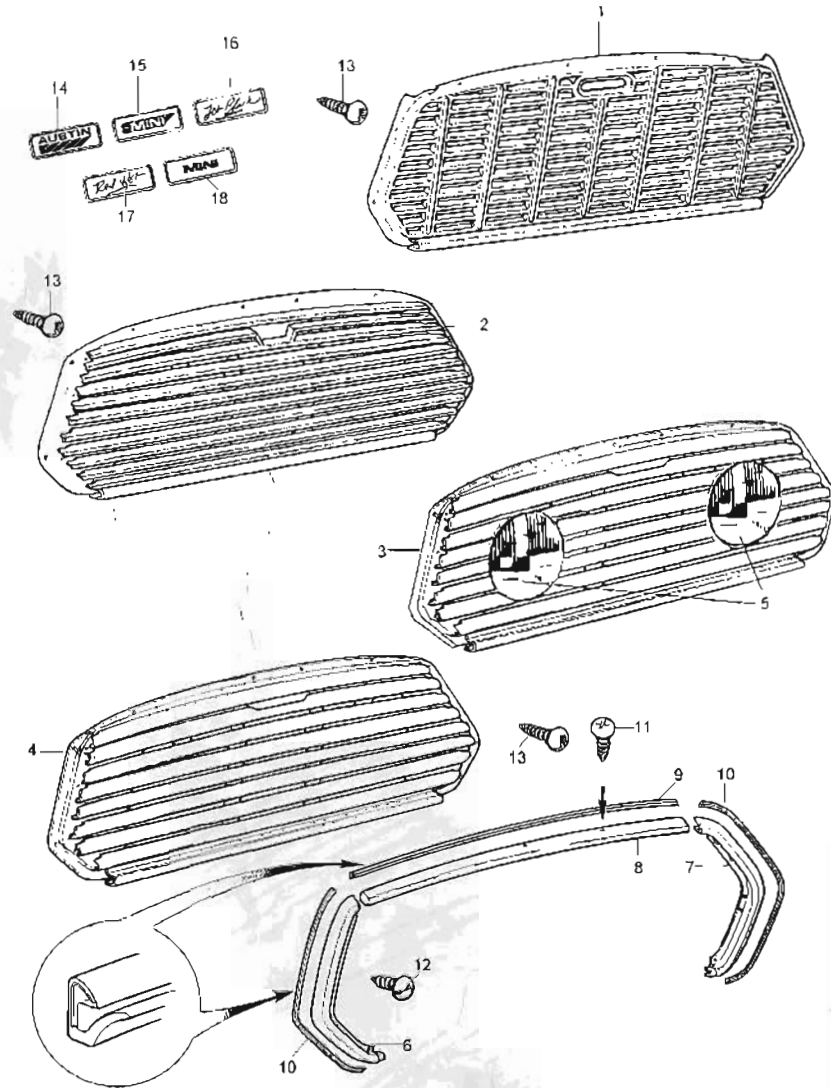
NO.	PART NO.	DESCRIPTION	QTY
1	8B12506	Morris MK1 Cooper grille with head lamp holes	1
2	24A2158	Morris MK1 Cooper and 'S' grille	1
3	24A198	Austin MK1 Cooper and 'S' grille.....	1
4	14A7299	Austin MK1 grille	1
5	14A7781	Grille surround (moustache moulding MK1).....	1
6	14A7782	Grille surround end finisher R/H	1
7	14A7783	Grille surround end finisher L/H	1
8	ADA3583	Stainless steel clip for end finisher.....	4/6
9	RA608076	Rivet for clip, was DMP819.....	4/6
10	GHF421	Screw for grille alternative to AB606041	10 A/R
11	GHF1531	Plastic fixing clip on original cars.....	A/R
12	CZH4372	Clubman grille, replaces CZH672	1 CWE
12	CZH1200	Clubman grille, originally GT.....	1 CWE
13	CZH3552	Surround for Clubman grille R/H.....	1
13	CZH3553	Surround for Clubman grille L/H	1
14	GHF1021	Plastic nut for grille an surround	7
15	CZH614	Grommet for grille.....	3
16	CZH1220	Gt red badge, Clubman GT.....	1
17	CZH651	Grille badge, Clubman pre 1976	1
18	CZH4145	Grille badge, Clubman post 1976	1
19	CZH652	Clip for grille badges 17/18	4

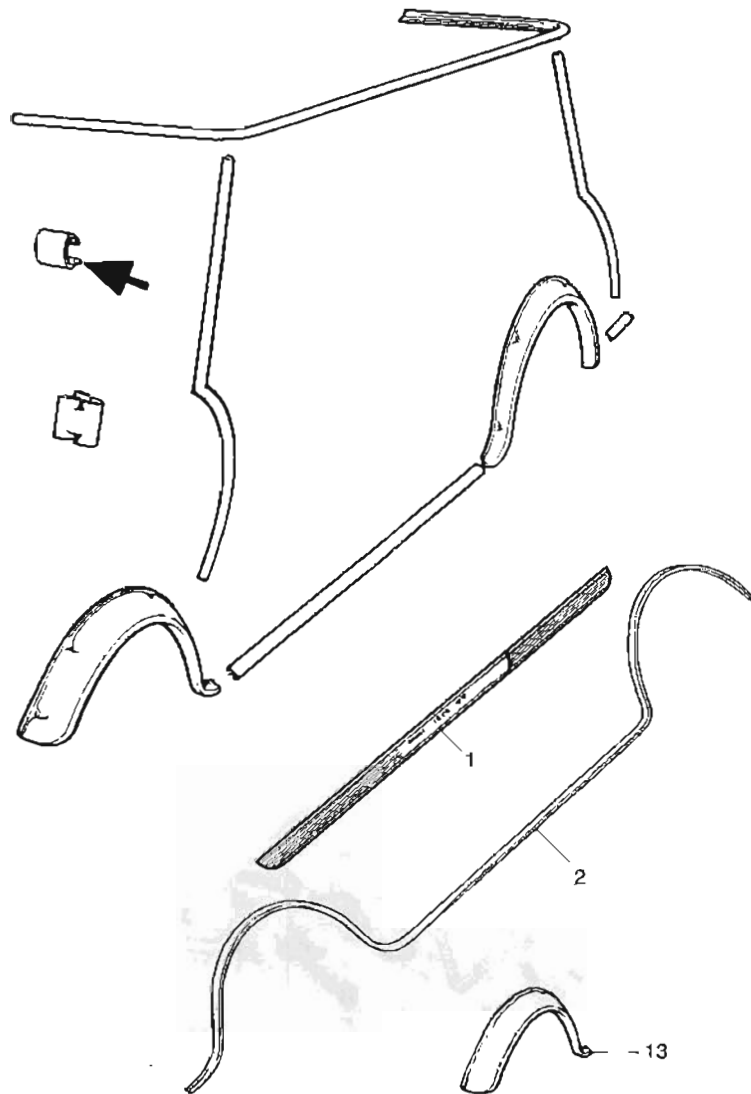


These are the dimensions in millimetres of slimline spotlamps, which can be utilised to fit our grille. However it will take Cibie and Lucas lamps under 6" wide.

GRILLES MK2 1967 ON
PART NUMBERS

NO.	ROVER	PATTERN	DESCRIPTION	QTY
1	ALA6672		Morris MK2 grille, bright.....	1 NLA
1	DHB10146NMN		Italian Job grille, white.....	1
1	JRC7058PMD		Grille, Black replaces PAM1878.....	1
1	JRC7058LMY		Grille, Nimbus replaces JRC7059/DHB10038/1006LP...1	1
1	DHB10146PME		Grille, matt Black replaces DHB10131PMD, AUG 91 on 1 Sprite	1
1	JPC6503PMD		Grille, jet Black replaces KPC1896PA/DHB10040PMD...1 Aug 91 on	1
1	JPC6503LMY		Grille, Nimbus replaces DHB10040LMY.....	1
2	CZH4015	CZH4015MS	Grille, Black.....	1
2	ALA6654	ALA6654MS	Grille, Chrome bright, 1969 on, now DHB10150MMM...1	1
2	DHB10150MMM		Grille, bright replaces DHB10147MMM/10132MMM.....1 Mayfair 1.3i	1
2	DHB10154MMM		Grille, bright with internal bonnet lock.....1 & Brit. Open	1
3		8B12502	Grille, stainless steel with headlamp holes.....	1
3		8B12503	Grille, s/steel with h/lamp holes, no bonnet catch hole.1	1
4	ALA6668		Cooper grille, bright 8 slats.....	1
4		8B12504	Grille, stainless steel heavy duty 8 wide slats.....	1
4		8B12505	Grille, s/steel heavy duty with internal bonnet release...1 1993 on	1
4	DHB10151MMM		Cooper grille, bright.....1 Apr 92 on	1
4	DHB102150MMM		Cooper grille, bright with internal bonnet release, was DHB10155MMM.....1 1993 on	1
5		RL020	Spotlights for grille (takes any lamp upto 5 3/4" wide)....1 pair	1
6	ALA6508		Grille surround R/H.....	1
7	ALA6509		Grille surround L/H.....	1
8	ALA6559		Grille surround top moulding on bonnet.....	1
9	24A2708		Moulding to bonnet finishing strip 29" long.....	1
10	37H8108M		Seating for ALA6508/9 (sold per metre).....	A/R
11	AB606021		Number 6 screw for bonnet moulding.....	5
12	AB608031		Number 8 screw for grille surround.....	4/8
13	CDU1266		Number 8 screw for grille when black 6.55mm long....	4
13	GHF423		Number 8 screw for bright grille 1/2" long.....	4/8
14	JRC7084		Austin badge.....	1
15	JPC9935		Mini badge.....	1
16	KPC1832		Jet black badge.....	1
17	KPC1837		Red hot badge.....	1
18	DAH10003		Mini badge.....	1



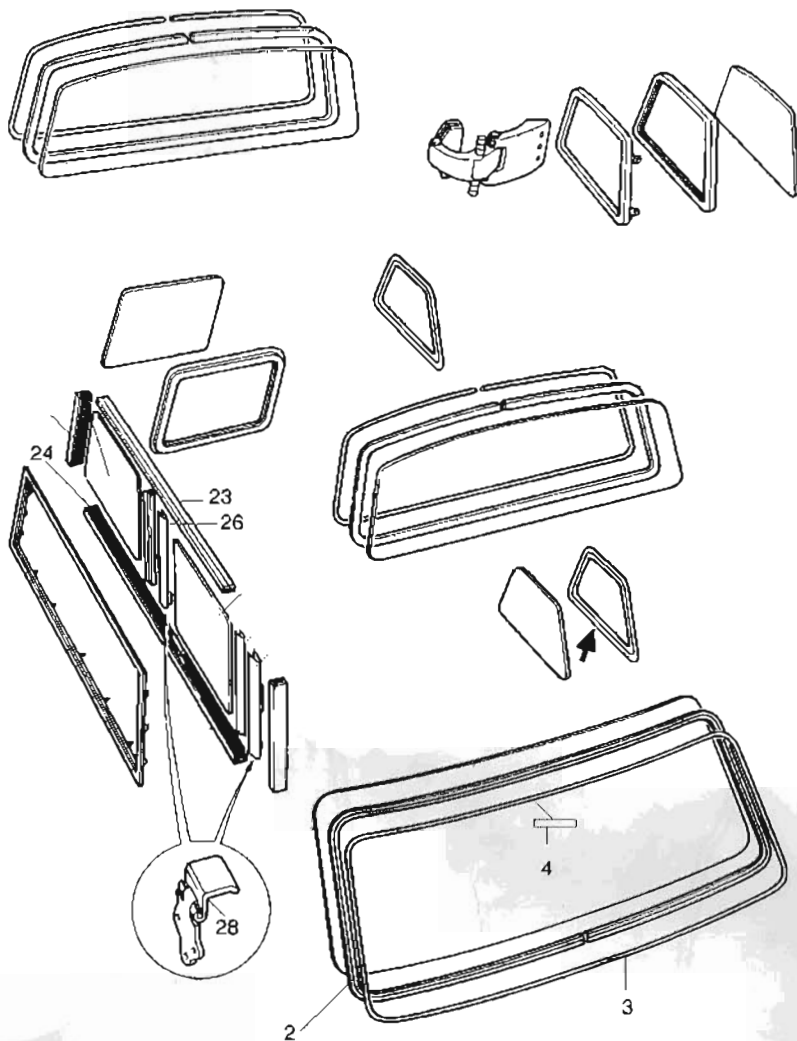


SEAM MOULDINGS, 1275GT STRIPES AND WHEEL ARCHES

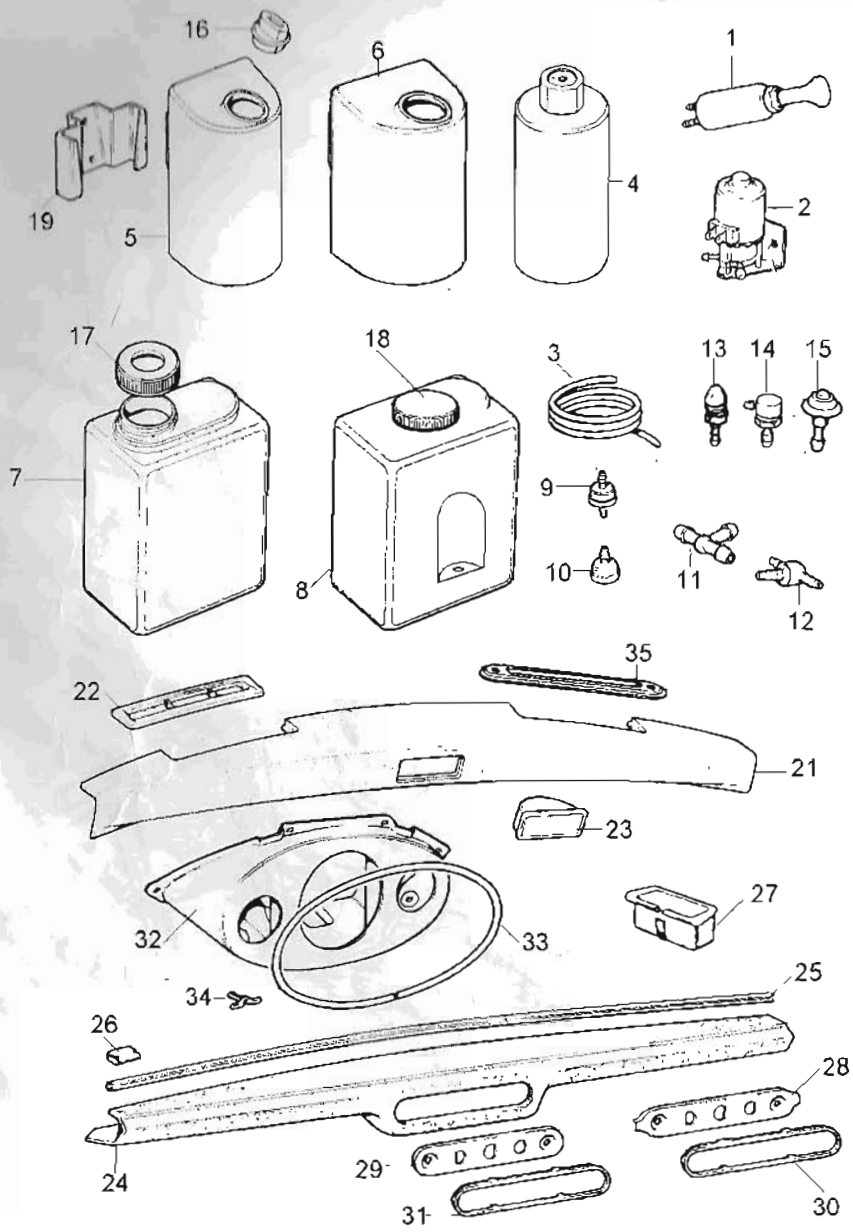
NO.	PART NO.	DESCRIPTION	QTY
1	CHM73	1275GT side stripe kit, Gold.....	1
1	CHM74	1275GT side stripe kit, Saddle Brown.....	1
1	18G9043	1275GT side stripe kit, Red.....	1
1	18G9044	1275GT side stripe kit, Black.....	1
1	18G9046	1275GT side stripe kit, Blue.....	1
1	18G9050	1275GT side stripe kit, White.....	1
2	GZF105A	Wheel arch moulding, Chrome deluxe (fluted).....	2
2	GZF107A	Wheel arch moulding, Chrome 1970 on (flat).....	2
2	GZF108	Wheel arch moulding, Black (flat).....	2
2	GZF108MA	Wheel arch moulding, Black deluxe per metre.....	AVR
2	GZF108MS	Wheel arch moulding, Black deluxe.....	2
3	CZH4312	Offside front wheel arch, Black (part of GAW117).....	1
3	JRC8437	Offside front wheel arch, Nimbus Grey (part of GAW117S).....	1
3	CZH4313	Nearside front wheel arch, Black (part of GAW117).....	1
3	JRC8438	Nearside front wheel arch, Nimbus Grey (part of GAW117S).....	1
4	CZH4314	Offside rear wheel arch, Black (part of GAW117).....	1
4	JRC8496	Offside rear wheel arch, Nimbus Grey (part of GAW117S).....	1
4	CZH4315	Nearside rear wheel arch, Black (part of GAW117).....	1
4	JRC8497	Nearside rear wheel arch, Nimbus Grey (part of GAW117S).....	1
5	CZH4316	Fluted plastic Black strip, lower sill (part of GAW117).....	2
5	JRC8267LP	Fluted plastic Nimbus strip, lower sill (part GAW117S).....	2
5	DDJ10002	Black rubber lower sill moulding, 1992 on.....	2
5	BG2406	Stainless steel moulding, between arches for BG2405.....	1 pr
6	GAW117	Black wheel arch set, complete with screws.....	1
6	GAW117S	Nimbus w/arch set, complete with screws.....	1
7	BMP127	Front primed seam finisher strip.....	2
8	BMP124	Rear R/H seam finisher primed.....	1
8	BMP125	Rear L/H seam finisher primed.....	1
9	BMP129	Rear finishing strip (2" long).....	2
10	BMP128	Anti rust clip (was GHF1560).....	28
10	GHF1560	Seam moulding clip.....	28
11	YGA1106	R/H roof gutter moulding 1980 on, Black.....	1
11	YGA1107	L/H roof gutter moulding 1980 on, Black.....	1
11	JRC8260LP	R/H roof gutter moulding 1980 on, Nimbus.....	1
11	JRC8261LP	L/H roof gutter moulding 1980 on, Nimbus.....	1
12	DBE10006PMD	Gutter moulding cap, Black.....	2
12	DBE10006LMP	Gutter moulding cap, Nimbus.....	2
13	BG2405	Stainless steel wheel arch trims (fits over GAW117).....	1 set
13	MS131	Fibreglass arches, allows body line changes 1" wider.....	1 set
13	MS132	Fibreglass arches 1" wider Mini Special type.....	1 set

* USA2

WINDSCREEN, QUARTER LIGHT / BACKLIGHT

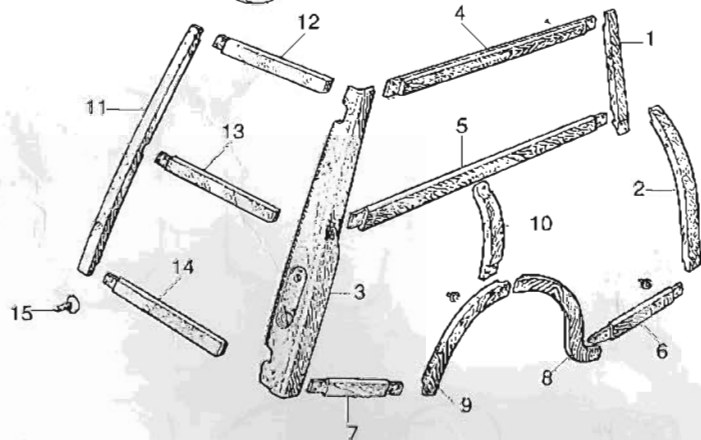
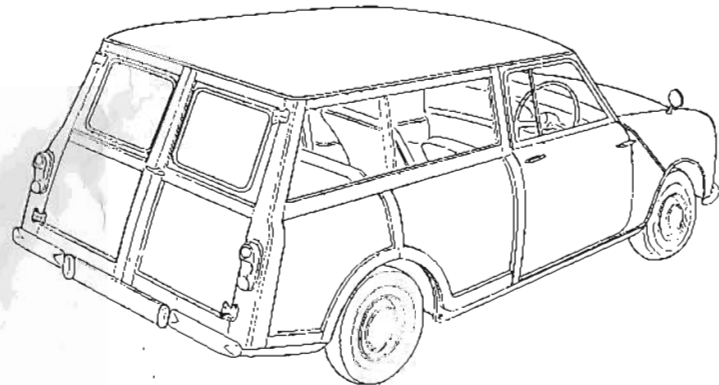


NO.	ROVER	PATTERN	DESCRIPTION	QTY
1	MS86		Heated w/screen (needs MS87 switch/wiring diagram).	1
1	24A2236		Laminated clear screen, replaces toughened glass	1
1	CZH4048		Laminated Sundym screen, was toughened glass	1
2		CZH1719MS	Rubber seal for windscreen (JPC4834 genuine)	1
3		24A1466MS	Chrome plastic insert for front/rear screen rubbers	2
3	37H8052		Black insert for front/rear screen rubbers	2
4	JPC2017		Finishing clip for insert chrome	2
5	14A7056		MK1 rear screen	1 N.L.A.
5	88G487		MK2/3 rear screen	1 CWE
5	13H7323		Heated rear screen clear, MK2/3 on	1
5	CZH4013		Heated rear screen Sundym, MK2/3 on	1
6	JRC2674		Rear screen seal (needs cutting for MK1)	1
7	14A7768		Rear screen glass, Pickup	1 N.L.A.
8	14A9362		Rear screen seal, Pickup use JRC2674, cut to length	1
9	14A7181		Rear door glass clear Van and Estate	2
9	CZH4087		Rear door glass Sundym Van and Estate	2
10	14A7210		Rear door glass seal	2
11	24A1203		Rear 1/4 light assembly, MK1/2 R/H	1 N.L.A.
11	CZH3522		Rear 1/4 light assembly, MK3 on clear glass R/H	1
11	CZH4010		Rear 1/4 light assembly, MK3 on Sundym R/H	1
11	24A1204		Rear 1/4 light assembly, MK1/2 L/H	1 N.L.A.
11	CZH3523		Rear 1/4 light assembly, MK2 on clear glass L/H	1
11	CZH4011		Rear 1/4 light assembly, MK3 on Sundym L/H	1
12	CZH3537		Rear 1/4 light frame only, MK3 on R/H	1
12	CZH3538		Rear 1/4 light frame only, MK3 on L/H	1
13	JRC5142		Rear 1/4 light glass clear, MK3 on, was ALA5880	2
13	JRC5143		Rear 1/4 light glass Sundym MK2 on, was CZH4012	2
14	47H9535M		Glass to frame seal, 1 metre lengths, was ALA5881	4
15	CZH3535		1/4 light catch, R/H MK3 on	1
15	CZH3536		1/4 light catch, L/H MK3 on	1
16	ALA5897		Opening 1/4 light original looking seal MK1/2	2
16	EAM7724		Opening 1/4 light seal MK3	2
17	14A6824		Fixed rear 1/4 glass, MK1/2	2
17	CZH1315		Fixed rear 1/4 glass clear, MK3 on	2
17	CPB101380		Fixed rear 1/4 glass Sundym, MK3 on	2
18	JRC2673		Fixed rear 1/4 glass seal	2
19	14A7627		Front glass Estate (CZH4086 Sundym)	2 both NLA
20	14A7628		Rear glass Estate (CZH4085 Sundym available only)	2
21	14A7630		Rear upright channel, Estate, (use 24A88 and cut)	1 NLA
22	14A7631		Front upright channel, Estate	2
23	14A7632		Upper glass channel, Estate	2
24	14A7633		Lower glass channel, Estate	2
25	14A7639		Front finger pull R/H	1
25	14A7640		Front finger pull L/H	1
26	14A7635		Rear finger pull R/H (deleted 1980 use EAM8530 seal)	1 NLA
26	14A7636		Rear finger pull L/H (deleted 1980 use EAM8531 seal)	1 NLA
27	14A7637		Seal for finger pulls	2/4
28	24A2391		Window catch	4
29	14A9624		Outer body frame R/H, Estate	1 NLA
29	14A9625		Outer body frame L/H, Estate	1 CWE



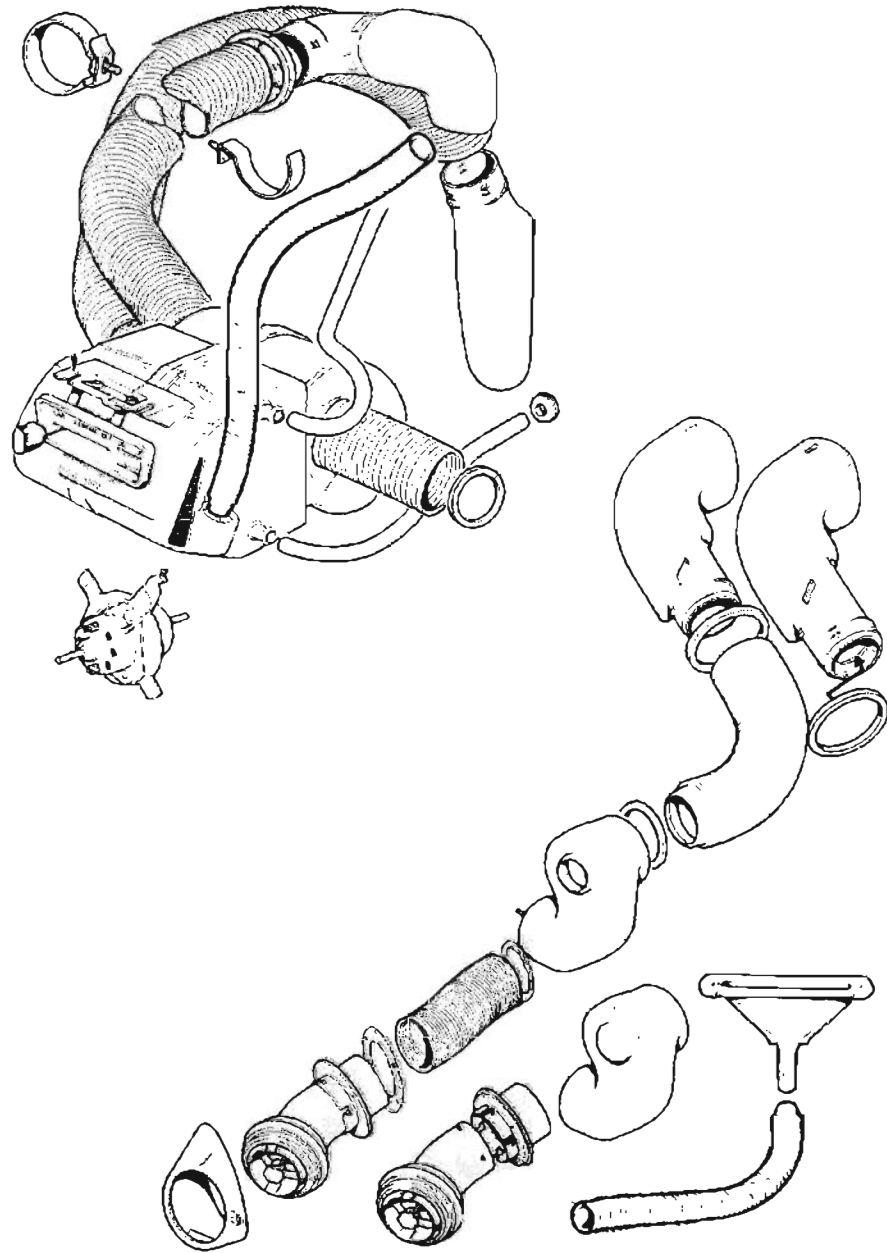
DASH / WINDSCREEN WASHERS

NO.	ROVER	PATTERN	DESCRIPTION	QTY
1	GWW102		Manual washer pump.....	1 N.L.A.
2	GWW125		Electric washer pump.....	1 1980 on
2	GWW1192		Electric washer pump, fits on bottle in boot, was GWW130.....	1 1992 on
3	GWW201M		Washer tubing 1/8", small bore (per metre).....	A/R
3	GWW202M		Washer tubing 1/4", large bore (per metre).....	A/R
4	GWW918		Washer bottle round MK1/2.....	1
5	GWW916		Small 1/2 litre washer bottle, takes small cap GWW951	1 MK3 on
6	GWW906		Large 1 litre washer bottle, takes GWW952 cap.....	1 MK3 on
7	GWW907		1.7 litre washer bottle, takes GWW952 cap.....	1 1980 on
8	GWW935		Washer bottle fitted in boot.....	1 1992 on
9	GWW504		Valve for use with GWW807 jet MK1/2.....	1
10	GWW506		Valve for use with GWW804 jet MK3.....	1
10	GWW6D1		Filter replaces valve when using electric pump.....	1 1980 on
10	GWW515		Non return valve when GWW935 fitted.....	1
11	GWW401		T piece, MK4 1980 on.....	1
11	GWW208		T piece, for bottle when fitted in boot.....	1
12	GWW408		T piece, was GWW407 MK1/2/3.....	1
12	GWW404		T piece, small bore tube when electric pump fitted.....	1
13	GWW807		Jet, MK1/2 nut fit, N.L.A., use GWW804.....	2
13		MS389	Jet, MK1/2, twin jet nut fit.....	2
14	GWW810		Jet, Chrome, nut fit single jet MK1/2.....	2 Relieve body
14	GWW801	MS397	Jet, Chrome, nut fit twin jet MK1/2.....	2 for later cars
15	GWW804		Jet, MK3 fits round locating hole.....	2 1970 - 1980
15	GWW812		Jet, twin jet holes, round locating hole.....	2
15	GWW842		Jet, fits 'D' shaped locating hole.....	2 1981 on
16	GWW951		Cap for GWW916/GWW906 (fits in GWW952).....	1
17	GWW952		Cap for GWW907 (GWW987 fits centre hole).....	1
18	GWW973		Cap for GWW935.....	1
19	CZH1624		Bracket for windscreen bottle.....	1
19	CZG1496		Bracket for windscreen bottle in boot.....	1 1992 on
21	EAM9670		Top dash rail, Black, to 1990.....	1 N.L.A.
21	JPC4594PMA		Top dash rail, Black, 1991 on.....	1 Special order
22	CZH623		Demist vent when padded facia.....	2
23	YGA4694		Ashtray (was CZH625).....	1
24	ALA6621		Lower parcel shelf, black MK2 to 1980.....	1
24	JPC2412PMA		Lower parcel shelf pad, was YXX4406PA, Black.....	1 1980 on
25	14A8009		Moulding for lower shelf pad.....	1
26	GHF1500		Clip for 14A8009.....	8
27	24A1538		Ashtray in metal top rail.....	1
28	14E3386		Switch panel, MK1 cumulous Grey.....	1
29	ALE2960		Switch panel, MK2 switch panel.....	1
30	14A7172		Surround for MK1 switch panel.....	1
31	ALA6640		Surround for MK2 on, switch panel.....	1
32	24A2702		Speedo cowl deluxe.....	1
33	14A9907		Beading for cowl.....	1
34	14A9796		Clip for beading.....	14
35	14A9949		Air vent bezel, Black when metal facia.....	2



WOOD FOR TRAVELLER

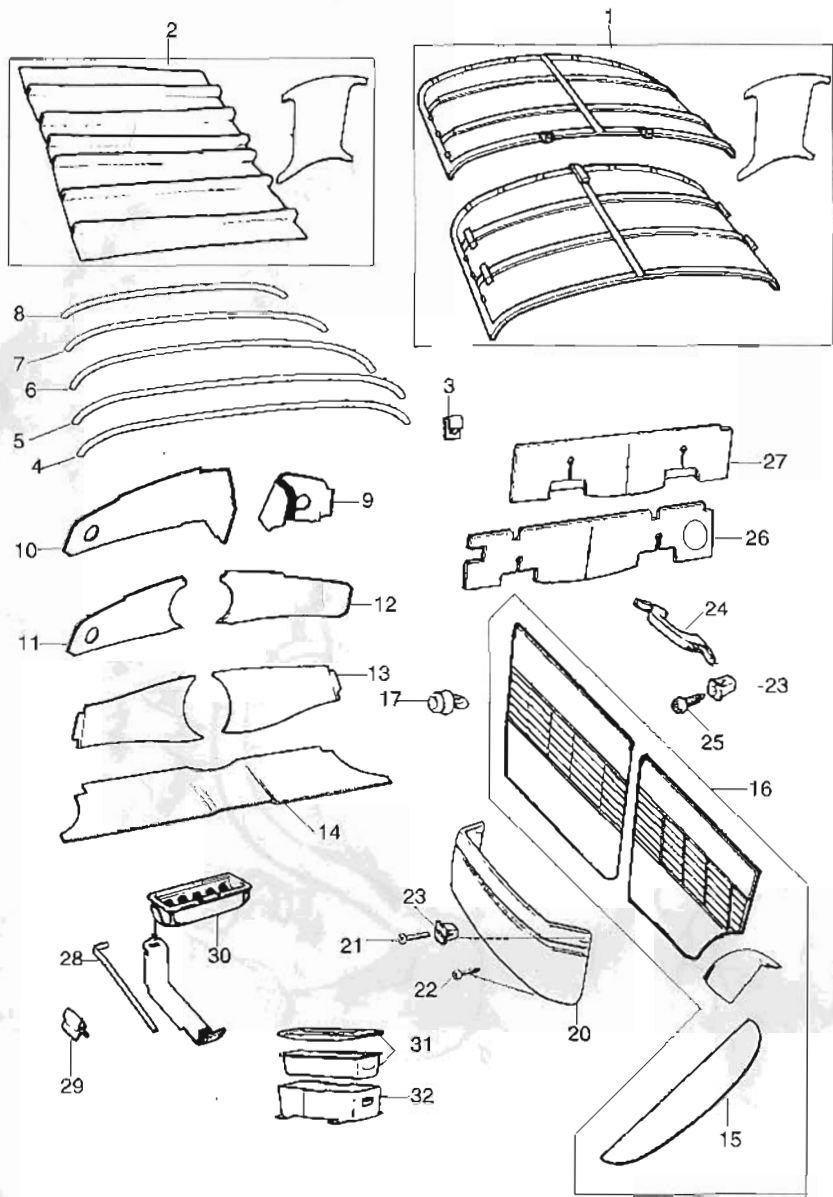
NO.	PART NO.	DESCRIPTION	QTY
1	14A7893	Body side pillar, top front R/H	1
1	14A7894	Body side pillar, top front L/H	1
2	14A7895	Body side pillar, bottom front R/H	1
2	14A7896	Body side pillar, bottom rear L/H	1
3	14A7859	Body side pillar, rear R/H	1
3	14A7660	Body side pillar, rear L/H	1
4	14A7642	Body side rail, top R/H	1
4	14A7643	Body side rail, top L/H	1
5	14A7644	Body side rail, waist R/H	1
5	14A7645	Body side rail, waist L/H	1
6	14A7650	Body side rail, bottom front R/H	1
6	14A7651	Body side rail, bottom front L/H	1
7	14A7656	Body side rail, bottom rear R/H	1
7	14A7657	Body side rail, bottom rear L/H	1
8	24A306	Rear wheel arch rail, front section R/H	1
8	24A307	Rear wheel arch rail, front section L/H	1
9	24A308	Rear wheel arch rail, rear section R/H	1
9	24A309	Rear wheel arch rail, rear section L/H	1
10	24A310	Waist rail to wheel arch	2
11	14A7533	Rear door rail, centre R/H	1
11	14A7534	Rear door rail, centre L/H	1
12	14A7537	Rear door rail, top R/H	1
12	14A7538	Rear door rail, top L/H	1
13	14A7539	Rear door rail, middle R/H	1
13	14A7540	Rear door rail, middle L/H	1
14	14A7541	Rear door rail, bottom R/H	1
14	14A7542	Rear door rail, bottom L/H	1
15	24A646	Screw and washer for fixing wood (not original)	A/R
	MSSK016	COMPLETE CAR SET OF WOOD	1



HEATER AND AIR VENTS

PART NUMBERS

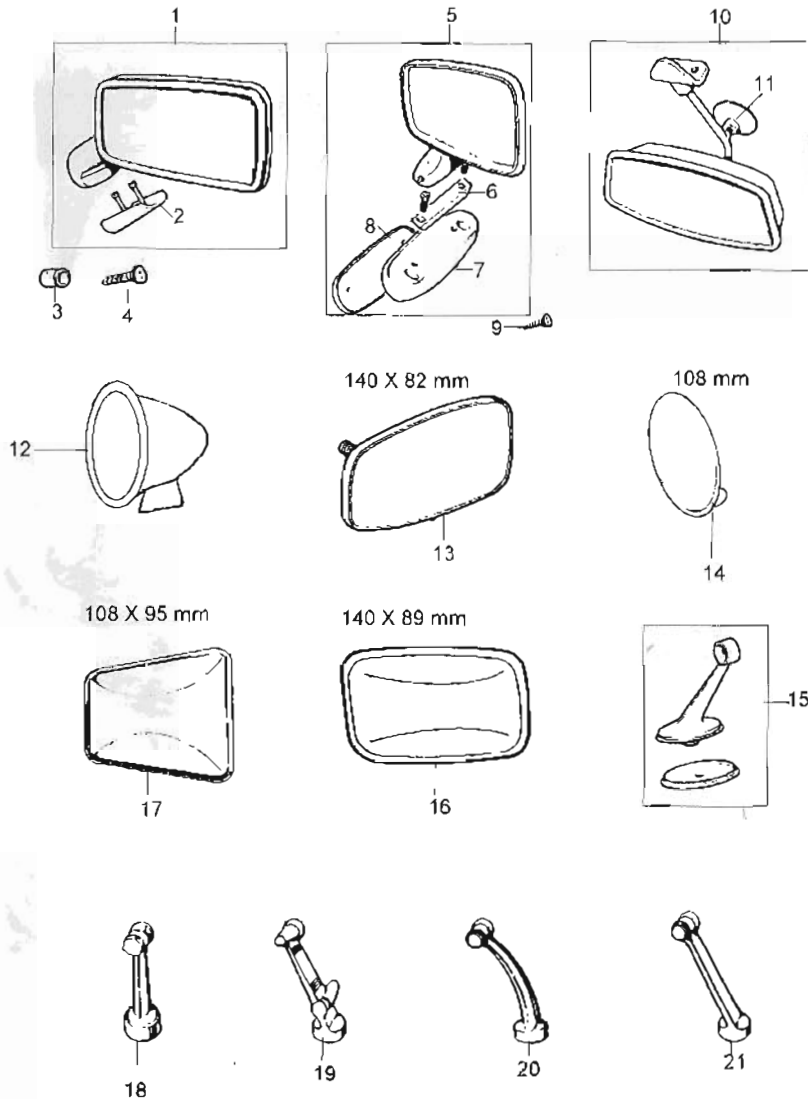
NO.	ROVER	PATTERN	DESCRIPTION	QTY
1	JEC10109		Heater, was BMP362	1
2	JGC10008		Motor for heater, was BAU5042	1
3	BAU1924		Heater control panel MK3 on	1
4	BAU1923		Heater knob MK3 on	1
5	CZH704		Air intake duct to face vent L/H, Clubman only	1
6	CZH1318		Air intake duct to face vent L/H, Mini only	1
6	JKA10011		Air intake duct to face vent L/H, fuel injected on	1
7	CZH711		Air intake seal	1
8	CZH712		Air intake hose to face vent L/H, Clubman only pre 76 ..	1
8	EAM8472		Air intake hose, Clubman Estate, L/H	1
8	AAM340		Air intake hose, Clubman 1976 on, L/H	1
9	EAM7097		Air intake hose to face vent L/H, all Mini	1
9	JBO10003		Air intake hose to face vent L/H, fuel injection only	1
10	CZH632		Clip for air intake hose	1
11	JCG10001		Clip for air intake hose	1
12	CZH674		Air intake hose R/H, Clubman only	1
13	JKA10012		Air intake hose R/H, was CZH1300, except Clubman ..	1
14	CZH682		Seal for CZH674 hose, Clubman	1
15	CZH694		Seal for JKA10012 hose, except Clubman	1
16	EAM7437		Air intake hose R/H	1
17	JPC6876		Seal for EAM7437 hose, was CZH694	1
18	CZH1755		Air distribution box when face vents fitted	1
18	JKQ10002		Air distribution box, when face vents fitted	1 1993 on
19	CZH1951		Air distribution box, when no face vents	1
20	CZH700		Hose from face vent to air distribution box	1
21	CZH693		Seal for CZH700 hose to air box	1
22	346999A		Heater to air distribution box R/H	1
23	JPC6877		Air distribution box outlet seal	1
24	CZH3835		Face vent complete, Black R/H, 1976 on	1
24	CZH3836		Face vent complete, Black L/H, 1976 on	1
25	JPC8632		Face vent, Black, 1993 on	2
25	37H7034		Chrome face vent, pre 1976	2 NLA
26	37H7035		Vent to body end, pre 1976, R/H	1
26	37H7036		Vent to body end, pre 1976, L/H	1
26	JPC8633		Vent to body end, R/H, 1993 on	1
26	JPC8634		Vent to body end, L/H, 1993 on	1
27	ALA6292		Vent to body seal	2
28	CZH658		Vent binnacle, R/H	1
28	CZH659		Vent binnacle, L/H	1
29	JKC10017		Demist hose, was ALA8033	2
30	CZH624		Demist hose air vent	2
31	GRH1006M		Heater hose 1/2" bore (per metre)	A/R
31	GRH905		Heater hose 5/8" bore	2
32	34G3651		Grommet for hose body 1/2" bore	1
32	CLP6235		Heater hose grommet 5/8" bore	1



HEADLINING AND TRIM

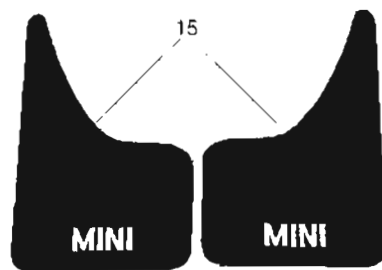
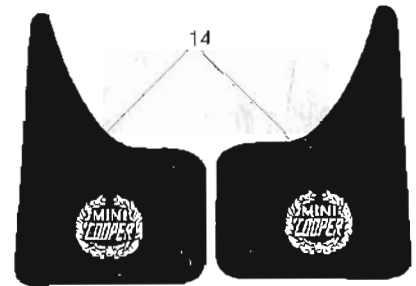
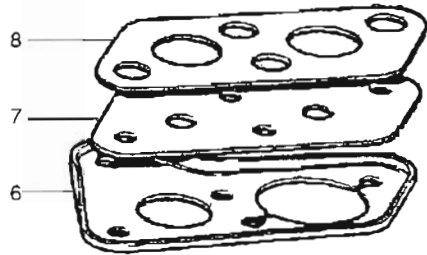
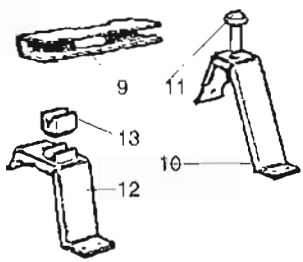
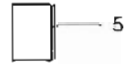
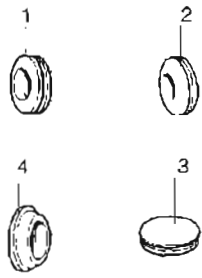
NO.	PART NO.	DESCRIPTION	QTY
1	5D4085	Headlining material only plus C posts MK1/2	1
2	PAM5401AP	Headlining material only plus C posts MK3, white	1
2	PAM5401LNG	Headlining material only plus C posts MK3, grey	1
3	14A8094	Headlining clip 25 for MK1, 13 for MK3	A/R
4	EAM8418	Headlining bar MK3, No.1 Red ends	1
5	EAM8420	Headlining bar MK3, No.2/3 White ends	2
6	EAM8422	Headlining bar MK3, No.4 Black ends	1
7	EAM8440	Headlining bar MK3, No 5 Blue ends	1
8	EAM8442	Headlining bar MK3, No.6 Yellow	1
9	VGA1749	Dash liner black R/H (Speedo cluster in front of driver)	1
10	FCP10033	Dash liner black L/H (Speedo cluster in front of driver) (modify FCP10033 for 2 clock cluster Clubman)	1
11	VGA4188	Dash liners black deluxe, air vents (speedo, 2 gauges)	1 pr
12	VGA4192	Dash liner black deluxe no air vent (speedo, 2 gauges)	1 pr
12	ALE2927	Dash liner leathercloth deluxe no air vents (Cooper S)	1 pr
13	VGA4186/7	Dash liners painted pair (single clock only) standard	1 pr
14	VGA1995	Lower dash panel cover black vinyl leathercloth	1
15	ALE3153	Rear parcel shelf black	1
16	MSSK1007	MK3 interior trim kit, Black (MK1 style)	1
16	MSSK1008	MK3 interior trim kit, Grey (MK1 style)	1
16	MSSK1009	MK3 interior trim kit, Red (MK1 style)	1
17	GFK5079	Clip for interior door liners, was GHF1222	1
20	YGA452	Door bin black, fits all Mk3 on	1
21	AB608054	Screw for bin top	4
22	AB608081	Screw for bin bottom	6
23	GFK3428	Nut for top screw and door pull, was GHF1021	1
24	YXX451PA	Door pull, black	1
24	YXX451LG	Door pull, Grey	2
25	GHF424	Screw for door pull	4
26	24A280	Bulkhead engine bay felt blanket, MK1/2	1
27	CZH798	Bulkhead engine bay felt blanket, MK3	1
28	ALA5828	Rear glove box moulding, R/H	1
28	ALA5829	Rear glove box moulding, L/H	1
29	ADH3809	Clip for glovebox moulding	8
30	8D2490	Ashtray - companion box	2
31	ARA71	Ashtray, floor tunnel	1
32	ADA2484	Body for ARA71	1

NLA



MIRRORS

NO.	ROVER	PATTERN	DESCRIPTION	QTY
1	JPC9848		Black plastic small door mirror R/H convex	1
1	JPC9849		Black plastic small door mirror L/H convex	1
1	JPC9854		Black plastic large door mirror R/H convex	1 Van & Estate
1	JPC8407		Black plastic large door mirror L/H convex	1 Van & Estate
1	JPC9836		Nimbus plastic small door mirror R/H	1
1	JPC9837		Nimbus plastic small door mirror L/H	1
2	JPC8414LP		Screw cover nimbus R/H	1
2	JPC8415LP		Screw cover nimbus L/H	1
2	EAM4158PA		Screw cover Black R/H	1
2	EAM4159PA		Screw cover Black L/H	1
3	ADU2038		Nut insert for door mirror screw	4
4	SE910201		Screw for mirror to door	4
5	GAM215A		Stainless steel door mirror flat glass R/H	1
5	GAM216A		Stainless steel door mirror flat glass L/H	1
5	GAM217A		Stainless steel door mirror convex R/H	1
5	GAM218A		Stainless steel door mirror convex L/H	1
7	CZH3521		Base plinth	2
6	DZB5208A		Fixing plate	2
8	CZH3525		Seal for mirror base to door	2
9	CMZ312		Screw plinth to door	4
10	CZH4000		Interior mirror (alternative to CTB10003)	1
10	CZH4130		Interior dipping mirror	1
11	CRT10004		Suction pad, was 24A2112	1
12	GAM105		Chrome torpedo mirror	1/2
12	GAM106		Alloy torpedo mirror	1/2
13		M50201	Convex classic mirror	2
13		M50211	Flat classic mirror	2
14	8G8731	M50101	Convex round mirror	2
14	8G8710	M50111	Flat round mirror	2
14	8G8711		Black round mirror	2
15	ADA3743		Black mirror arm, Van and Pickup	2 NLA
15	24B1541		Chrome original arm, Saloon and Estate, NLA	2 use No. 6 arm
16	CZH4112	M40701	Convex classic mirror	2
16		M40711	Flat classic mirror	2
17		M50301	Convex classic mirror	2
17		M50311	Flat classic mirror	2
18		M16007	Vertical stem, number 7 arm, special fitment only	2
19	37H2502	M16006	Adjustable stem, number 6 arm	2
20		M16008	Curved stem, number 8 arm	2
21	14A8998	M16009	Offset stem, number 9 arm	2

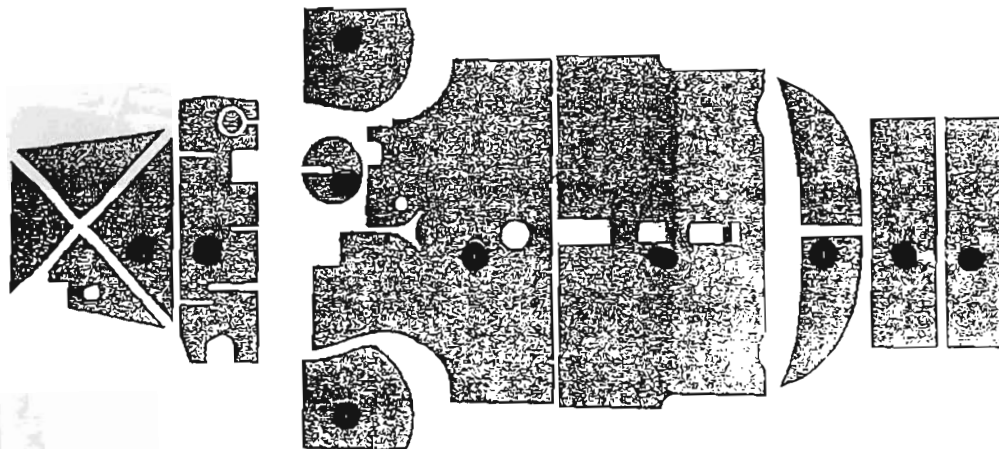


GROMMETS

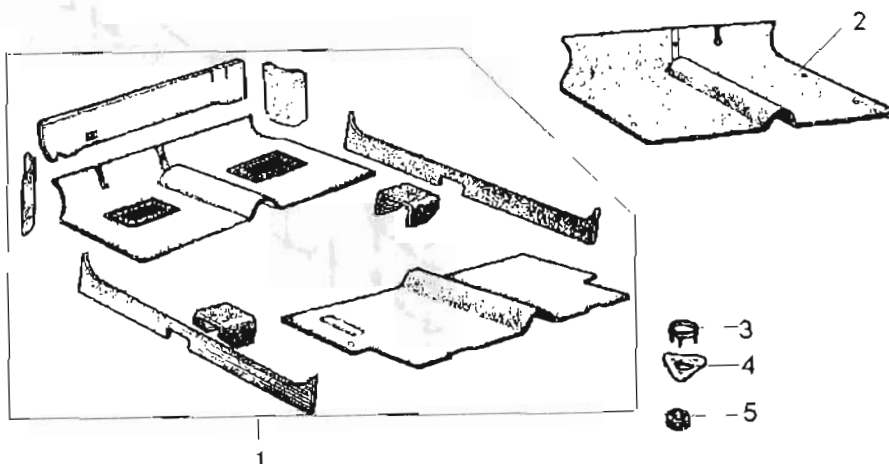
NO.	PART NO.	DESCRIPTION	QTY/SIZE
1	14A7031	Hole in flitch, has centre hole, was RFR208, not Clubman	2 5/8"
1	3F90	Fuel line grommet	1
1	14A7033	Wiring through body, boot floor, number plate 1970 on	A/R 11/16"
1	RFN403	Petrol vent pipe through floor	1
1	CAM5969	Choke and heater cable through body	2
1	AYA10003	Dash for windscreen washer tube 1993 on	1
2	2H7274	Flitch buffer (4), luggage strap hole (3)	A/R 5/16"
3	RFR210	Dash panel (1 or 2) Estate rear door	A/R 5/8"
3	RFR220	Subframe tower hole, dry pre 1976	2
3	14A7081	Front/rear floor, unused Speedo hole	A/R 1 1/16"
3	14A7090A	Rear floor, seat pan (5), battery box (2)	A/R 13/16"
3	14A7091	Wiper hole, radius arm shroud (2), ariel, steering column (1)	A/R 15/16"
3	CZG778	Wiper rack to dash	1
3	13H1954	Boot floor except Estate	1
3	ALA4466	Latest front panel where spotlamps fit	2
3	13H8998	Mirror holes on doors	4
3	14G6856	Bonnet buffer	2
4	34G3651	1/2" heater hose through body	1
4	CLP6235	5/8" heater hose through body	1
5	AYB10020	Rectangular A post, 1985 on	2

BRACKETS AND MUD FLAPS

NO.	PART NO.	DESCRIPTION	QTY
6	14A6733	Master cylinder and engine stabiliser bracket (single line brake)	1
6	ALA6505	Master cylinder and engine stabiliser bracket (Dual line brake)	1
7	NAM9197	Seating gasket, was ALA6598	1
8	ALA7530	Top strengthening plate	1 Special order
9	14A9780	Rear boot board bracket	2
10	14A9781	Side bracket with plug except Hornet / Elf	2
11	ALH1473	Plug for 14A9781	2
12	14A9782	Centre bracket with support buffer	1
13	2H9215	Support buffer for 14A9782 (requires cutting)	1
14	CAT10044	Mud flaps, pair Cooper (use when GAW117 arches are fitted)	1 pr 85 on
15	AJM164	Mud flaps, pair Mini (use when GAW117 arches are fitted)	1 pr 85 on



TYPICAL PARTS IN A KIT FOR SALOONS 1970 ON



SOUNDPROOFING

Enjoy a dramatic reduction in road and engine noise by fitting an interior 'Silent Travel' kit. Each kit is tailor made for the vehicles listed and comes with full fitting instructions, layout of the parts in the kit and adhesive. The felt is rubber backed and fire retardant and pre cut to required shapes.

Basic parts of each kit are, under bonnet, bulkhead in engine bay, front/rear floors, front wheel arches, rear parcel shelf or rear seat areas 1970 onwards and over headlinings on Estates.

PART NO.	DESCRIPTION
MS90	Kit for Saloons MK1/2 except Coopers upto 1969.....
MS91	Kit for Saloons MK3 1970 on
MS92	Kit for Coopers MK1/2
MS93	Kit for Clubmans
MS94	Kit for Clubman Estate.....
FELT	Roll of fire retardent felt (1 metre by 1.37M).....
FELT860	Tub of felt adhesive 250ml

CARPETS

All carpet sets contain 9 preshaped pieces to fit the sills, wheel arches, bulkhead, crossmember ends and the front/rear floor areas, really intended for the larger front floor well of vehicles from 1972 on, but they can be fitted to any vehicle by using your old carpets as templates if possible. The carpets have two heel pads so are universally left or right hand drive, but require holes and slits for the gear lever and steering column. Deluxe carpets do have a better pile and a cloth edged beading and much better backing for extra durability and longer life. We keep only the following colours, but other colours are often available.

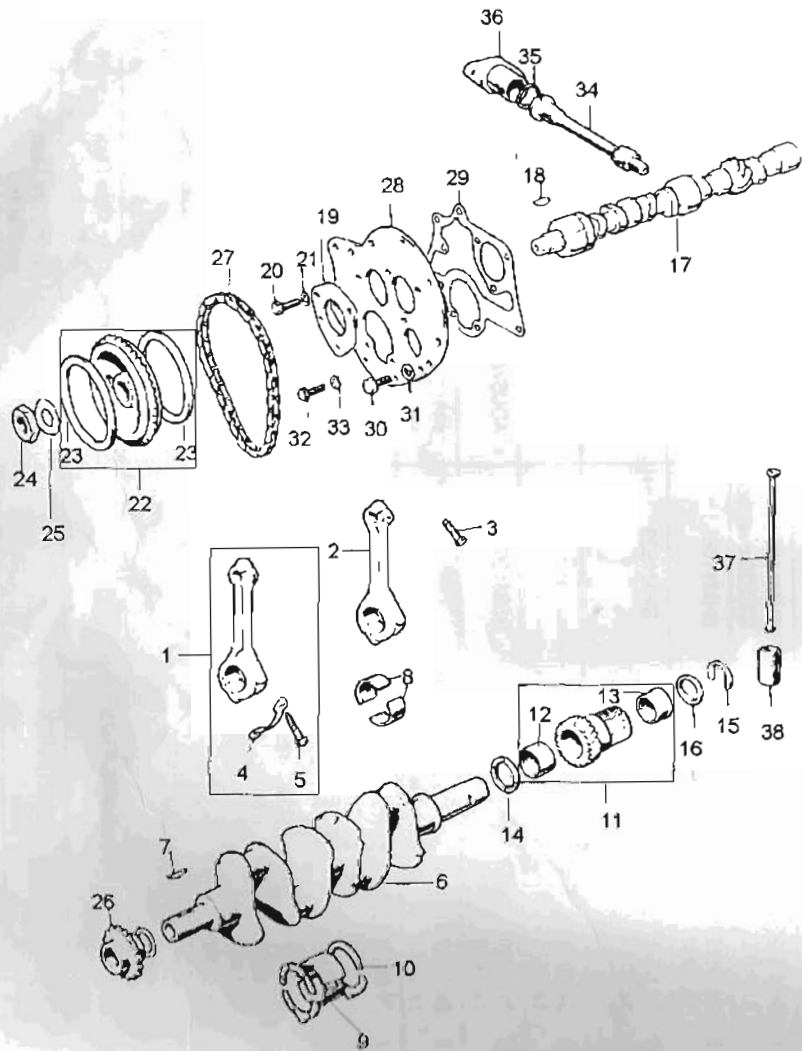
NO.	PART NO.	DESCRIPTION
1	CARPET01	Two foot pads deluxe carpet set, Black.....
1	CARPET02	Two foot pads standard pile carpet set, Black.....
1	CARPET03	Two foot pads deluxe carpet set, Grey.....
1	CARPET04	Two foot pads standard pile carpet set, Grey.....
1	CARPET05	Two foot pads deluxe carpet set. Red.....
2	CZH3720	Black front rubber mat, fitted to Van, Pickup, some basic 850 Saloon
3	14G8736	Spike ring fastener for carpets..... A/R
4	2H8445	Fastener..... A/R
5	ADB4811	Stud, fits to floor (with rivets or screws)..... A/R

To help preserve these carpets, genuine Rover reversable rubber mats are available. The part number is GAC4500A and the price is per mat not per pair.

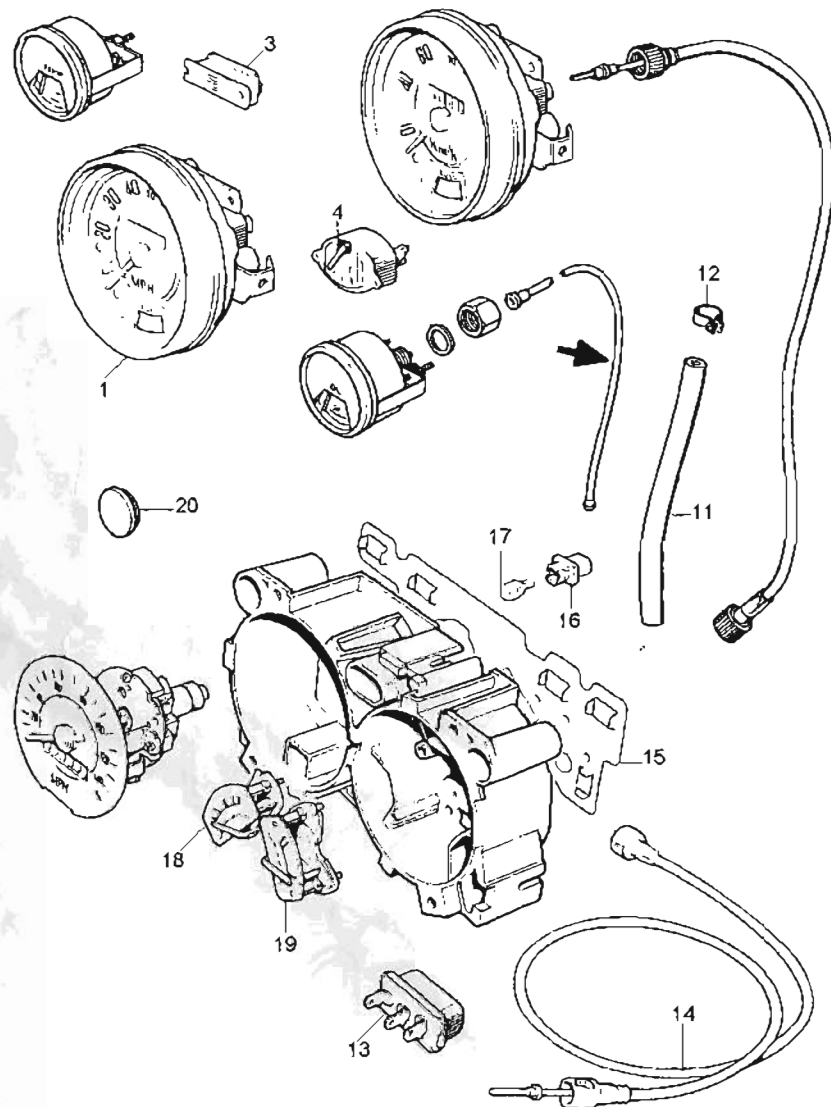
A pair of specially tailored emblmed overmats for the front and two square pads for the rear are available in complete sets only as follows:-

NO.	PART NO.	DESCRIPTION
	CARPET06	The word 'MINI' Emblem
	CARPET07	The word 'MINI COOPER' Emblem

850CC MINI AND 997CC COOPER BLOCK



NO.	PART NO.	DESCRIPTION	QTY	REMARKS
1	12A1626	Connecting rod no. 2 and 4	2	
2	12A1627	Connecting rod no. 1 and 3	2	
3	51K1382	Small end bolt	4	NLA
4	2A660	Locktab for con rod bolt	4	
5	12G2217	Big end bolt	8	
6	8G2734	Crankshaft 1.5" diameter tail size (12A670 casting)	1	850cc
6	12A298	Crankshaft 1.5" diameter tail size (12A298 casting)	1	NLA 997cc
7	6K836	Crankshaft key	1	
8	8G2198	Con rod bearing set, VP572	1	
9	8G2177	Mains bearing set journal width 1.185 thou 30.10mm	1	VP592, 850cc
9	8G2332	Mains bearing set journal width 1.064 thou 27.05mm	1	VP733, 850/997cc
10	BHM1291	Thrust washer set VPW94	1	850cc
10	BHM1292	Thrust washer set VPW81	1	997cc
11	22A1493	Primary gear only fits 1.5" diameter crank tail only	1	Not early 850 1.375"
12	DAM8887	Bush front for cranks with 1.5" diameter, was 22G401	1	
13	22G109	Bush rear for cranks with 1.5" diameter	1	
14	22A321	Thrust washers 2.79-2.84mm (.110-112")	1	These shims are used to give the correct end float of 3-6 thou on the primary gear, check 22A319 and 88G459 for wear.
14	22A322	Thrust washers 2.84-2.89mm (.112-114")	1	
14	22A323	Thrust washers 2.89-2.94mm (.114-116")	1	
14	22A324	Thrust washers 2.94-2.99mm (.116-118")	1	
14	22A450	Thrust washers 2.99-3.04mm (.118-120")	1	
15	22A319	U Clip thrust washer	1	
16	88G549	Backing ring	1	
17	8G712	Camshaft	1	850cc
17	88G229	Camshaft was 2A948	1	997cc
18	WKN505	Key	1	
19	AHU2379	Camshaft plate was 2A84	1	
20	GHF117	Locating plate bolt	3	
21	GHF321	Locating bolt shake-proof washer	3	
22	2A85	Camshaft gear with tensioners	1	
23	8G549	Tensioner rubber rings	2	
24	6K629	Camshaft nut	1	
25	2A759	Locktab	1	
26	8G725	Crankshaft gear	1	
27	3H2127	Timing chain	1	
28	2A970	Front plate	1	NLA
29	12G619	Gasket	1	
30	GHF120	Screw, plate to block	2	
31	LWZ305	Washer	2	
32	53K2016	Screw plate to maincap	2	
33	WF600041	Washer (Landrover part)	2	
34	12G4499	Distributor drive spindle	1	
35	13H2792	'O' Ring distributor housing	1	
36	12A1136	Distributor housing	1	NLA
37	2A14	Push rod	8	
38	2A13	Cam follower	8	
38	AEG584	Cam follower with oil hole	8	Alternative



SPEEDOS, GAUGES AND CABLES

NO.	PART NO.	DESCRIPTION	QTY	REMARKS
1	ADU2341	Speedo MPH, 90MPH	1	3.4 Final drive
1	ADU2345	Speedo MPH, 90MPH	1	3.76 Final drive
1	13H4442	'S' Speedo SN4421/130 MPH	1	'S' MK3
2	13H4444	'S' Speedo SN4421/200 KPH	1	'S' MK3
2	ADU2343	Speedo KPH, 140KPH	1	3.4 Final drive
3	C34770A	Voltage stabiliser BR1310/00	1	
3	13H3554	Voltage stabiliser BR1309/00	1	MK1
4	13H2133	Fuel gauge black	1	
5	GSD101	Speedo cable 26" long, genuine	1	
5	GSD101MS	Speedo cable 26" long, non genuine	1	
5	0722/30	Speedo cable 30" long	1	
5	0722/36	Speedo cable 36" long	1	
5	0722/39	Speedo cable 39" long	1	Extra long Mini
5	0722/48	Speedo cable 48" long	1	For Specials
5	0722/66	Speedo cable 66" long	1	For Specials
6	13H4460	Water temperature gauge	1	
7	13H4459	Oil pressure gauge	1	
8	21A804	Oil pipe gauge to hose	1	
9	11B2037	Nut, part of 21A804 pipe	1	
10	2K4936B	Sealing washer	1	
11	FAM2807	Oil hose	1	
11	OL	Oil gauge one piece plastic hose	1	5ft long
12	AAU1818	Oil hose clip	2	

CLUBMAN AND ALL SALOONS AFTER 1980 (SMITHS ONLY, NOT NIPPON SEIKI TYPE)

13	BMK1539A	Voltage stabiliser BR1303/20	1	Clubman/late Mini
14	GSD102MS	Speedo cable	1	
14	GSD415	Speedo cable, 1976-90	1	48" long
14	GSD487	Speedo cable 1990 on	1	42.5" long
15	37H4881	Printed circuit	1	2 clock pod
15	BAU1930	Printed circuit 1275GT	1	3 clock pod
16	13H5270	Bulb holder, plastic	A/R	
16	YAJ10012	Bulb holder (Nippon Seiki only)	A/R	1990 on
17	GLB2132	Bulb	A/R	
18	13H5893	Fuel gauge to 1983	1	NLA
18	ADU6455	Fuel gauge (3 clock)	1	1983-85
18	BAU5405	Fuel gauge	1	1985 on
19	13H5894	Temperature gauge to 1983	1	NLA
19	ADU6456	Temperature gauge (3 clock)	1	1983-5
19	BAU5406	Temperature gauge	1	1985 on
20	14A7081	Plug for unused speedo hole	1	All Minis

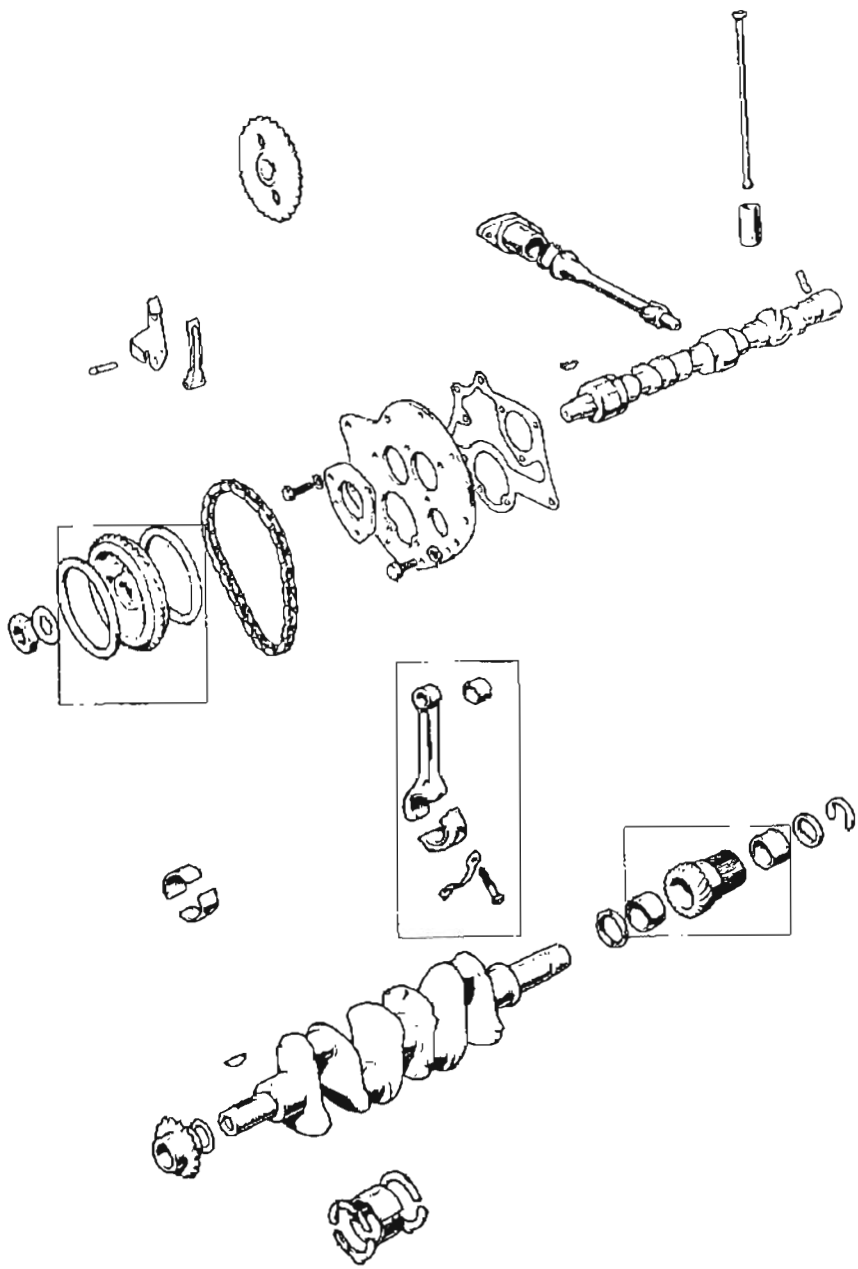
There were multiple changes on Smiths speedo and tachometer clocks on Clubman type in front of steering wheel. Nearly all the Smiths type 1970 to 1983 are no longer available and therefore not listed.

MINI VIDEOS

PART NO.	DESCRIPTION	QTY
T350	Mini Video, USA specifications.....	1
T351	Mini Video Tape	1
T352	Fortech Mini Video	1 NLA
T353	The Mini Cooper Video	1
T354	Mini Cooper Video, USA specifications.....	1
T355	Mini/Sprite Challenge Video.....	1
T356	Mini Goes Racing	1
T357	Mini Goes Racing, USA specifications	1
T358	Mini Legend.....	1
T359	Mini Legend, USA specifications.....	1
T360	Wizardry, by Heritage	1
T361	Wizardry, by Heritage, USA specifications.....	1

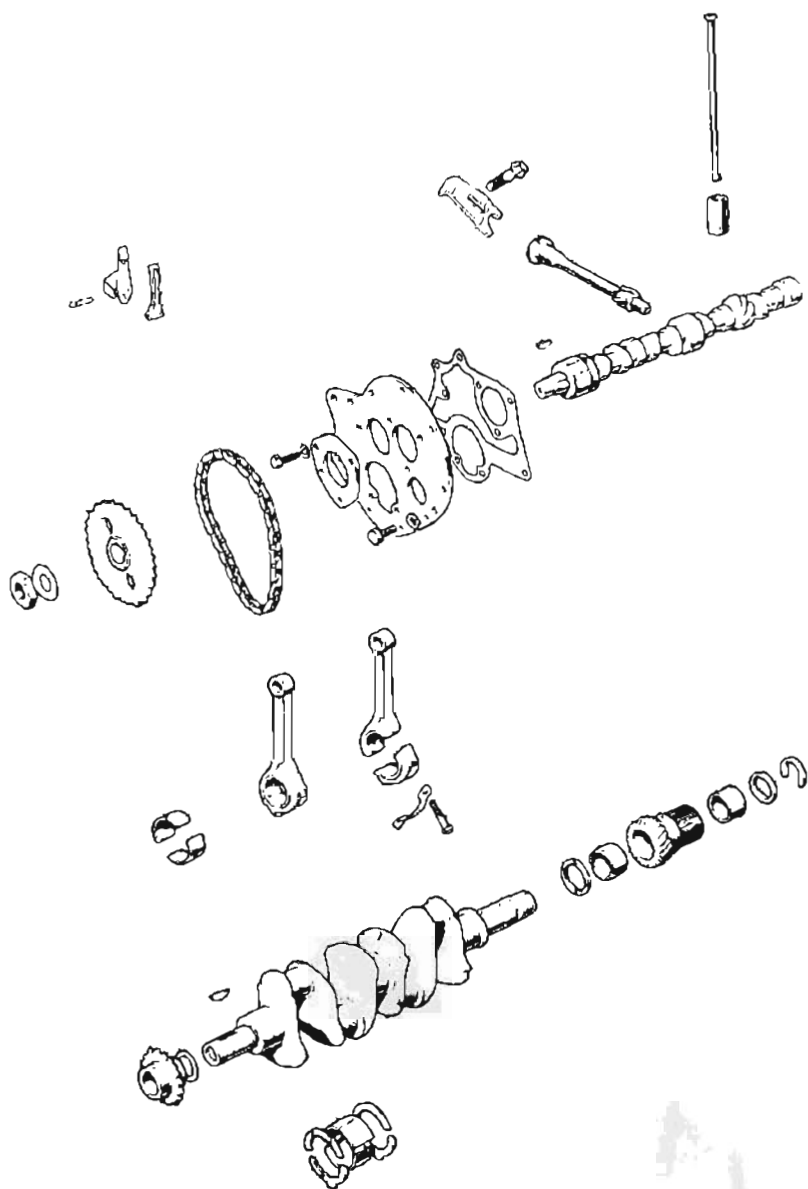
MINI BOOKS

PART NO.	DESCRIPTION	QTY
AKD3891	Cooper and S Mk 1 handbook	1
AKD4935	Mini workshop manual.....	1
AKD4992	Owners handbook mini Mk II	1
AKD4997	MK2 cooper & S handbook	1
AKD7364	cooper S Mk 3 handbook	1
AKM2	Mechanical & bodywork catalogue	1
AKM6353	Mini repair manual.....	1
AKM6579	Mini cooper owners book	1
AKM7168ENG	Mini owners handbook, current	1
BOOK	Tuning classic mini by Trickey	1
BOOK-1	How to modify your mini.....	1
BOOK-10	Haynes mini manual	1
BOOK-12	Mini cooper 1961-71 folio	1
BOOK-13	Sporting minis by Brigden	1
BOOK-17	Celebration of Mini by Scott	1
BOOK-18	Mini-Moke 64-on by Brooklands.....	1
BOOK-2	Tuning BL's A-series engine	1
BOOK-20	Mini anthology by Young	1
BOOK-22	Haynes Handbook & guide 69-92	1
BOOK-23	Mini restoration by J Tyler	1
BOOK-24	High performance minis 60-7	1
BOOK-25	Original Mini Cooper (Parnell)	1
BOOK-26	The big mini book by Hubner	1
BOOK-27	Classic in colour, Cooper & 'S'	1
BOOK-28	Monte Carlo, Legend by Heritage	1
BOOK-29	Mini Cooper by John Tipler	1
BOOK-3	Haynes Weber carb manual	1
BOOK-30	Mini service by Porter	1
BOOK-31	Mini after 35 years, Golding	1
BOOK-32	Complete Mini by Chris Rees.....	1
BOOK-33	Mini 59-69 Gold folio	1
BOOK-34	Mini 69-80 Gold folio	1
BOOK-35	Mini owners survival manual	1
BOOK-36	More about mini by Kuah	1
BOOK-37	Essential Mini cooper	1
BOOK-38	Mini to 1997 by Rupert	1
BOOK-39	Mini/Mini Cooper family album	1
BOOK-6	The Works Mini book.....	1
BOOK-7	Mini (D.I.Y restoration).....	1
BOOK-8	Practical Classic restoration	1
BOOK-9	Haynes Mini manual 59-69	1
CATALOGUE2	Special tuning parts catalogue	1
CATALOGUE	Mini magazine	1
MINITECH	Mintech news.....	1



998CC, 1100CC AND 998CC COOPER - TO 1980

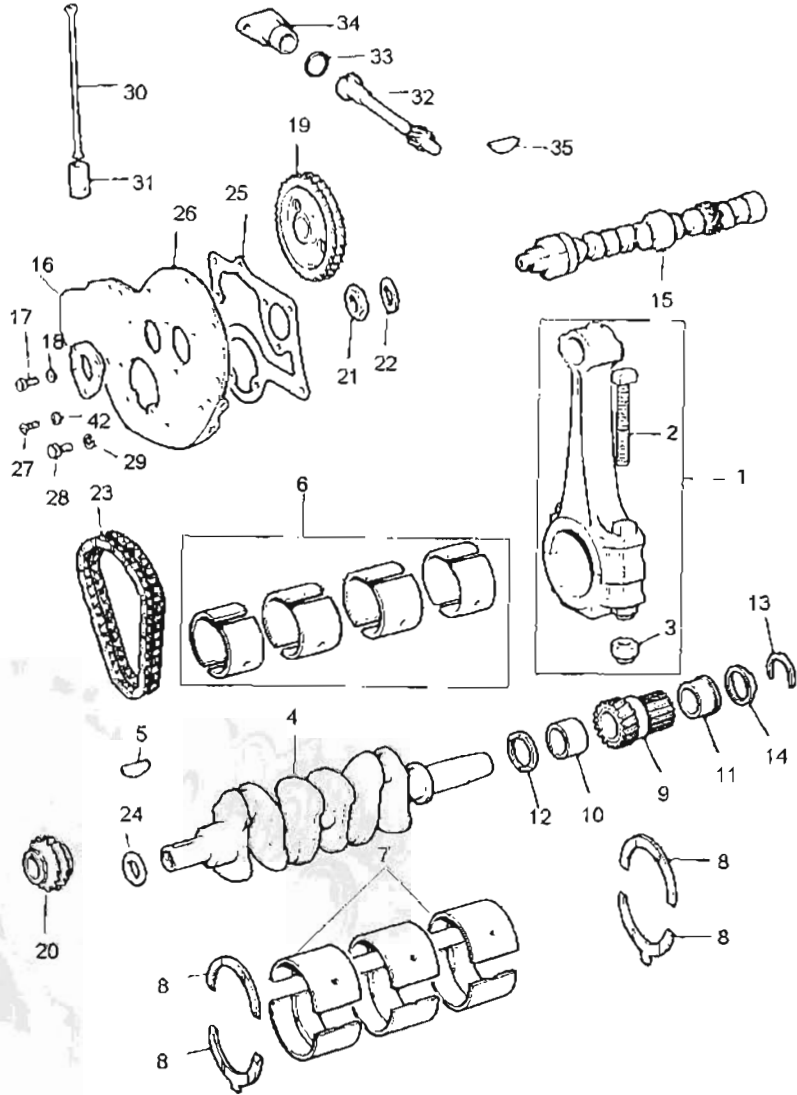
NO.	PART NO.	DESCRIPTION	QTY	REMARKS
1	12G123	Connecting rod number 2 and 4	2	
1	12G126	Connecting rod number 1 and 3	2	
1a	S4550L	Small end bush	4	
2	2A660	Locktab	4	
3	12G2217	Big end bolt	8	
4	8G2733	Crankshaft (casting number 12A595) (12A1451)	1	998cc and Cooper 998cc
4	8G2732	Crankshaft (casting number 12G82)	1	1100cc
5	6K836	Crankshaft key	1	
6	8G2198	Con rod bearings VP572	1	Also in 10/20/30/40 oversize
7	8G2332	Mains bearings VP733	1	Also in 10/20/30/40 oversize
8	BHM1292	Thrust washer set (VPW81)	1 set	Also in 03/30 thou oversize
9	22A1493	Primary gear (24 teeth)	1	
10	DAM8887	Bush front was 22G401	1	
11	22G109	Bush rear	1	
12	22A321	Thrust washers 2.79-2.84mm (.110-.112")	1	These shims are used to give the correct end float of 3-6 thou on the primary gear check 22A319 and 88G459 for wear.
12	22A322	Thrust washers 2.84-2.89mm (.112-.114")	1	
12	22A323	Thrust washers 2.89-2.94mm (.114-.116")	1	
12	22A324	Thrust washers 2.94-2.99mm (.116-.118")	1	
12	22A450	Thrust washers 2.99-3.04mm (.118-.120")	1	
13	22A319	U Clip thrust	1	
14	88G549	Backing ring	1	
15	AEA630	Camshaft	1	1100cc and 998cc Cooper
15	8G712	Camshaft	1	998cc
16	2A299	Camshaft oil pump drive	1	(Fitted in camshaft new)
17	WKN505	Camshaft key pin	1	
18	AHU2379	Camshaft plate	1	
19	GHF117	Locating plate bolt	3	
20	GHF321	Locating bolt shakeproof washer	3	
21	2A85	Camshaft gear with tensioners	1	
22	8G549	Tensioner rubber rings	2	
23	12G4337	Camshaft gear, used originally without tensioner	1	
24	12G2621	Tensioner, fits 12G2626 front plate only	1	From engine number 99H791, 10H791 Not 998 Cooper
25	12G2628	Tensioner mounting plate	1	
26	12G2629	Pivot pin	1	
27	6K629	Camshaft nut	1	
28	2A759	Camshaft locktab	1	
29	8G725	Crankshaft gear	1	
30	6K628	Washer to shim crank gear	1	
31	3H2127	Timing chain (Simplex)	1	
32	2A970	Front plate - pre tensioner type	1	NLA
32	12G2626	Front plate - used with tensioner pads	1	
33	12G619	Gasket for 2A970 front plate	1	
33	12G2981	Gasket for 12G2626 front plate	1	
34	12G4499	Distributor drive spindle	1	
35	13H2792	'O' ring distributor housing	1	
36	12A1136	Housing	1	CWE
37	2A14	Push rod	8	
38	2A13	Cam follower	8	
38	AEG584	Cam follower with oil hole	8	Alternative AEG584



998CC, 1981 ON, 'A' PLUS BLOCK

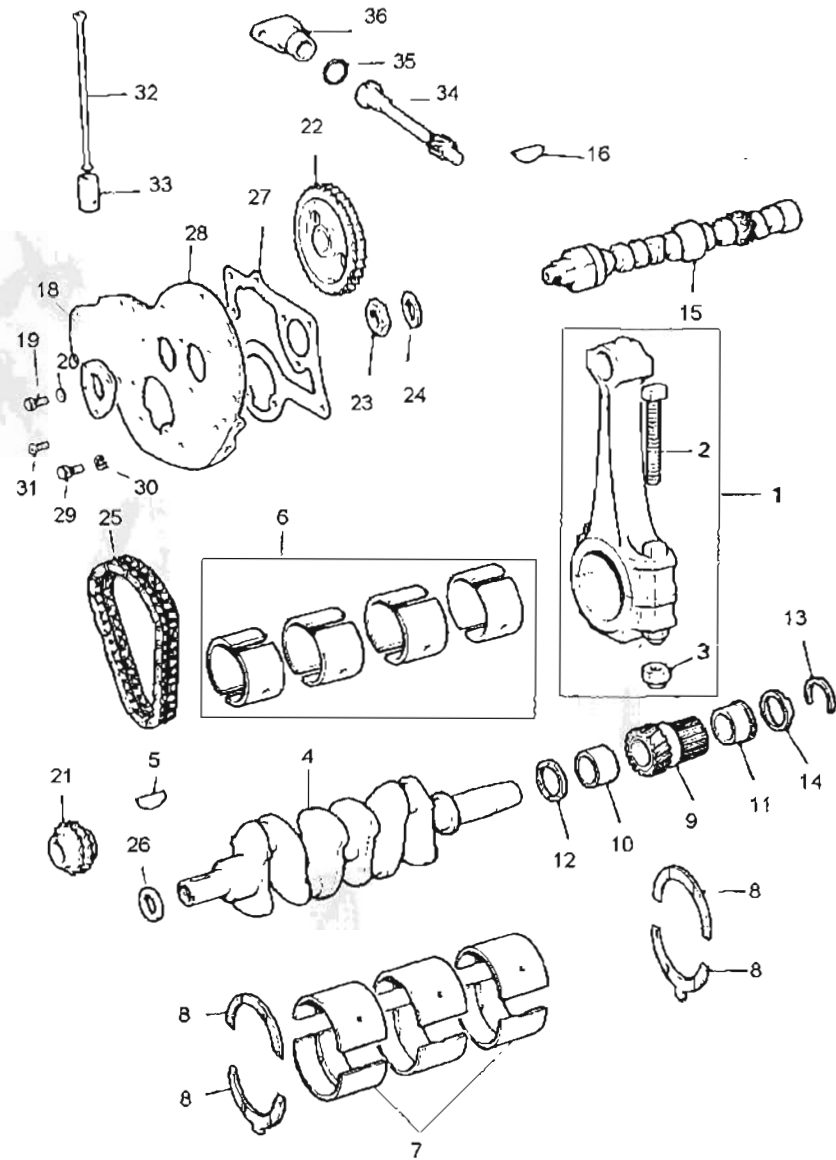
NO.	PART NO.	DESCRIPTION	QTY	REMARKS
1	12G123	Connecting rod number 2 and 4	2	
2	12G126	Connecting rod number 1 and 3	2	
1	12A1997	Connecting rod number 2 and 4	2	1985 on, press fit gudgeon pin (piston has no circlips)
2	12A1999	Connecting rod number 1 and 3	2	
3	2A660	Locktab, deleted when CAM6126 fitted	4	Deleted after 1981
4	CAM6126	Connecting rod bolt, replaced 12G2219	8	
5	BHM1436	Crankshaft, 8G2733 fitted until 1984	1	
6	6K836	Crankshaft keyway	1	
7	8G2198	Con rod bearings, VP572	1	Also in + 10/20/30/40 o/size
8	BHM1573	Mains bearing (centre locating lip) 1985 on	1	Also in + 10/20 oversize
8	8G2332	Mains bearing VP733, locating lug on edge of both halves	1	Also in + 10/20/30/40 o/size
9	BHM1292	Thrust washer set VPW81	1	Also in 03/30 thou oversize
10	22A1493	Primary gear (24 teeth), old type	1	
10	DAM8888	Primary gear (29 teeth), A plus	1	
11	DAM8887	Front bush, was 22G401	1	
12	22G109	Bush rear	1	
13	22A321	Thrust washer 2.79-2.84mm (.110-112")	1	These shims are used to give correct end float of the primary gear which is 3-6 thou. Also check 22A319 & 88G459 for wear.
13	22A322	Thrust washer 2.84-2.89mm (.112-114")	1	
13	22A323	Thrust washer 2.89-2.94mm (.114-116")	1	
13	22A324	Thrust washer 2.94-2.99mm (.116-118")	1	
13	22A450	Thrust washer 2.99-3.04mm (.118-120")	1	
14	22A319	Thrust washer U clip	1	
15	88G549	Backing ring	1	
16	CAM6267	Camshaft, 99H/B83P/B85P/D83P/E22	1	LC engine
16	CAM4717	Camshaft, 99H/B81P/B82P/D80P/D81P/D82P/E20/E21	1	HC engine
17	WKN505	Camshaft key	1	
18	AHU2379	Camshaft locating plate	1	
19	GHF117	Locating plate bolt	3	
20	GHF321	Locating bolt shakeproof washer	3	
21	12G4337	Camshaft gear	1	
22	12G2621	Tensioner pad	1	
23	12G2628	Tensioner mounting plate	1	
24	12G2629	Tensioner pin	1	
25	6K629	Camshaft nut	1	
26	2A759	Locktab	1	
27	CAM4700	Front plate gasket (non genuine)	1	
27	GUG705554GM	Front plate gasket (genuine)	1	
28	12G2626	Front plate	1	
29	GHF120	Bolt for plate to block	2	
30	GHF332	Spring washer	2	
31	8G725	Crankshaft gear	1	
32	6K628	Crank gear shim washer	1	
33	3H2127	Timing chain	1	
34	12G3560	Distributor drive spindle	1	
35	613857A	Distributor retaining plate	1	
36	CAM6105	Retainer screw	1	
37	2A14	Push rod	8	
38	2A13	Cam follower	8	Alternative AEG584

COOPER 'S' 970cCC 1070CC AND 1275CC MK1/MK2

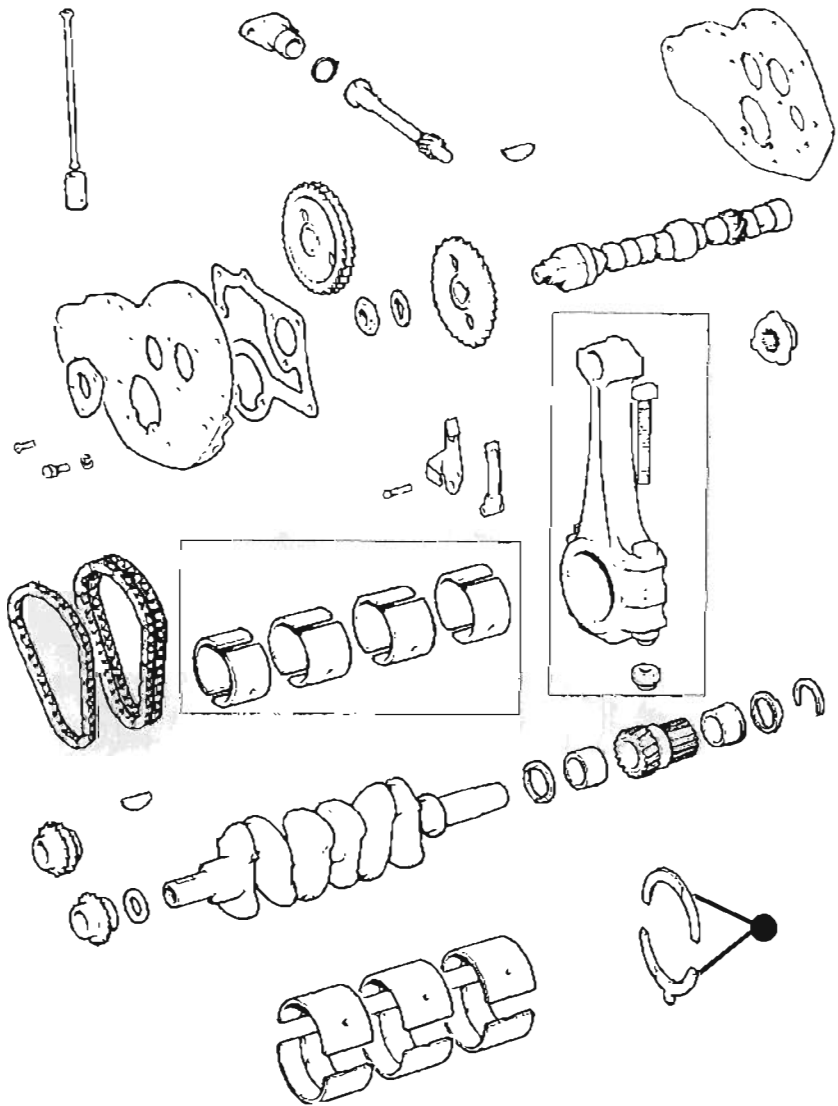


NO.	PART NO.	DESCRIPTION	QTY	REMARKS
1	AEG624	Connecting rod, 5.75" centres	4	1071cc, 1275cc
1	AEG309	Connecting rod, 5.875" centres	4	970cc only
2	AEG519	Connecting rod bolt (Hi-specification bolt use C-AEG519)	8	
3	AEG147	Connecting rod nut (Alternative non nyloc EAC5541A)	8	
4	C-AEG329	Crankshaft (Steel billet EN40B)(AEG330 casting)	1	970cc
4	C-AEG170	Crankshaft (Steel billet EN40B)(AEG171 casting)	1	1071cc
4	C-AEG479	Crankshaft (Forging crossdrilled EN40B)(AEG480 casting)	1	1275cc
5	6K836	Crankshaft keyway	1	
6	8G2399	Connecting rod bearings set VP572	1	Oversize available
7	8G2391	Main bearings set VP91120	1	Oversize available
8	BHM1293	Thrust washer kit VPW41	1	Available 03/15/30 oversize
9	22G1053	Primary gear (24 teeth)	1	
10	DAM8889	Front bush, was 22G770	1	
11	22G109	Rear bush	1	
12	DAM6490	Primary gear shim 2.84-2.89mm (.112-114")	1	These shims are used to give the correct end float of 3-6 thou on the primary gear check 22A319 and 88G459 for wear.
12	DAM6486	Primary gear shim 2.89-2.94mm (.114-116")	1	
12	DAM6487	Primary gear shim 2.94-2.99mm (.116-118")	1	
12	DAM6488	Primary gear shim 2.99-3.04mm (.118-120")	1	
12	DAM6489	Primary gear shim 3.04-3.09mm (.120-122")	1	
13	22A319	Thrust washer U clip	1	
14	88G549	Backing ring	1	
15	AEG148	Camshaft	1	
15	AEG510	Camshaft	1	1275 only, 9FSAY 40006 on
16	AHU2379	Camshaft locating plate	1	
17	GHF117	Locating plate screw	1	
18	GHF321	Shakeproof spring washer	1	
19	AEA696	Camshaft gear, steel	1	Use C-AJJ3325 steel Duplex kit which includes chain
20	AEA695	Crankshaft gear, steel	1	
21	6K629	Camshaft nut	1	
22	2A759	Locktab	1	
23	2H4905	Timing chain	1	
24	6K628	Washer to shim crank gear	A/R	
25	12G619	Front plate gasket	1	
26	AEG161	Front plate	NLA	
27	AEA687	Screw, front plate to maincap	2	
28	SH605051	Screw, front plate to block	2	
29	GHF321	Washer LWZ308	2	GHF332 alternative
30	2A14	Push rod	8	970cc, 1070cc
30	AEG314	Push rod	8	1275cc
31	2A13	Cam follower	8	Alternative sets
31	AEG584	Cam follower with oil hole	8	Alternative sets
32	12G4499	Distributor drive	1	
33	13H2792	Distributor housing seal	1	
34	12A1136	Distributor housing	1	CWE
35	WKN505	Camshaft keyway	1	

**COOPER 'S' MK3 (12H397 AND 12H398) AND 12G ENGINE NUMBERS AS FITTED TO EARLY
MG, WOLSELEY, RILEY, PRINCESS, 1300CC**



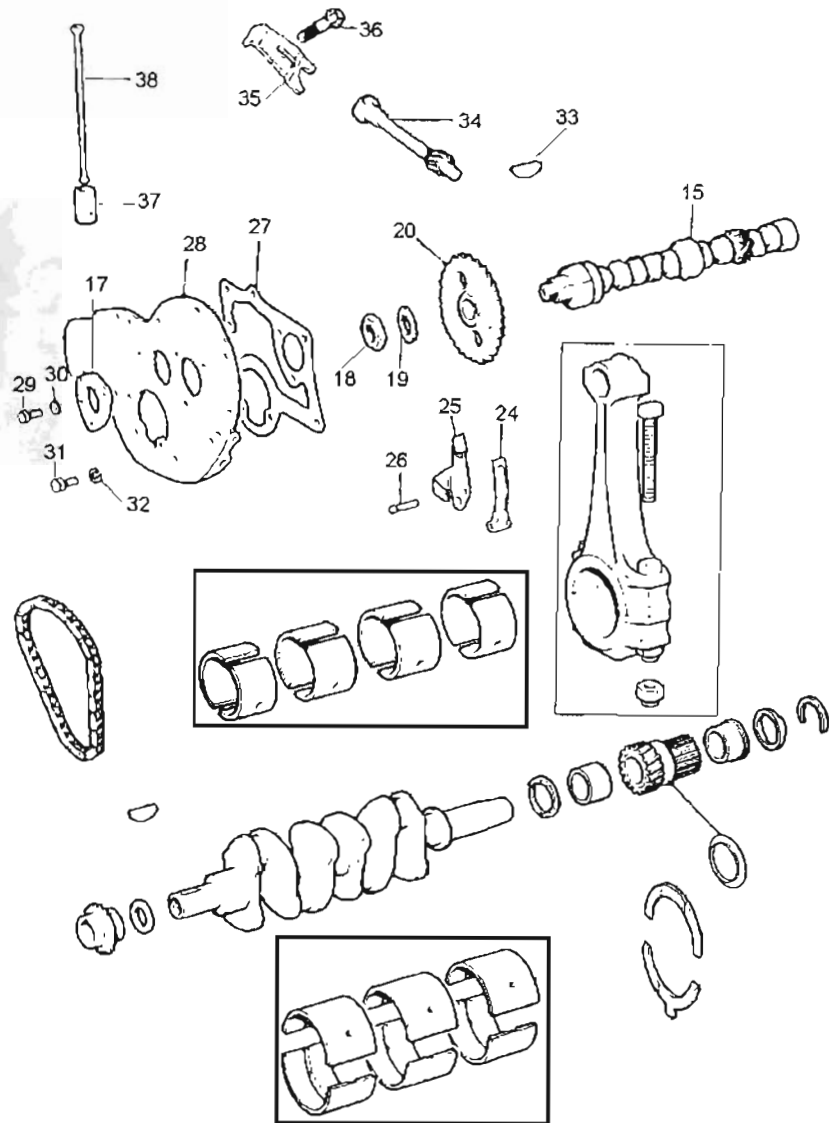
NO.	PART NO.	DESCRIPTION	QTY	REMARKS
1	AEG624	Connecting rod	4	
2	AEG519	Con rod bolt	8	Hi-spec C-AEG519
3	AEG147	Con rod bolt nut (EAC5541A non nyloc alternative)	8	
4	AEG623	Original crankshaft in EN16, tufrided (12G1505 casting)	1	NLA, use C-AEG479
4	C-AEG479	Crankshaft (AEG480 casting)	1	1275 'S' (Nitrided only)
4	12G1287	Crankshaft (fitted solid wall block, 1300 mains size)	1	12G type 1.625" journal
5	6K836	Crankshaft keyway	1	
6	8G2399	Con rod bearing set VP572	1	Also in 10/20/30/40 oversize
7	8G2391	Main bearings set VP91120	1	Also in 10/20/30/40 oversize
8	BHM1293	Thrust washer kit VPW41	1	Also in 03/30 thou oversize
9	22G1053	Primary gear (24 teeth)	1	
10	DAM8889	Front bush was 22G770	1	
11	22G109	Rear bush	1	
12	DAM6490	Primary gear shim 2.84-2.89mm (.112-114")	1	These shims are used to give the correct end float of 3-6 thou on the primary gear check 22A319 and 88G459 for wear.
12	DAM6486	Primary gear shim 2.89-2.94mm (.114-116")	1	
12	DAM6487	Primary gear shim 2.94-2.99mm (.116-118")	1	
12	DAM6488	Primary gear shim 2.99-3.04mm (.118-120")	1	
12	DAM6489	Primary gear shim 3.04-3.09mm (.120-122")	1	
13	22A319	Thrust washer U clip	1	
14	88G549	Backing ring	1	
15	AEG523	Camshaft	1	1300cc
15	AEG542	Camshaft	1	Cooper 'S'
16	WKN505	Keyway	1	
17	CHM108	Oil pump driving flange	1	
18	AHU2379	Camshaft locating plate	1	
19	GHF117	Bolt for locating plate	3	
20	GHF321	Shakeproof washer for locating plate	3	
21	12G1699	Crankshaft gear (cast iron)	1	Gears and chains available as C-AJJ3323 Duplex kit in cast iron. Or C-AJJ3325 in lightened steel.
22	12G1397	Camshaft gear (cast iron)	1	
23	6K629	Camshaft nut	1	
24	2A759	Locktab	1	
25	2H4905	Chain	1	
26	6K628	Washer to shim crank gear	A/R	
27	12G619	Front plate gasket	1	
28	AEG161	Front plate	1	NLA
29	SH605051	Screw plate to block	2	
30	GHF332	Washer was LWZ305	2	
31	AEA687	Screw, front plate to maincap	2	
32	AEG314	Push rod	8	
33	AEG584	Cam follower with oil hole	8	
34	12G4499	Distributor spindle	1	
35	13H2792	Distributor housing oil seal	1	
36	12A1136	Distributor housing	1	CWE



PRE 'A' PLUS 1275 WITH 12H ENGINE NUMBER EXCEPT COOPER 'S'

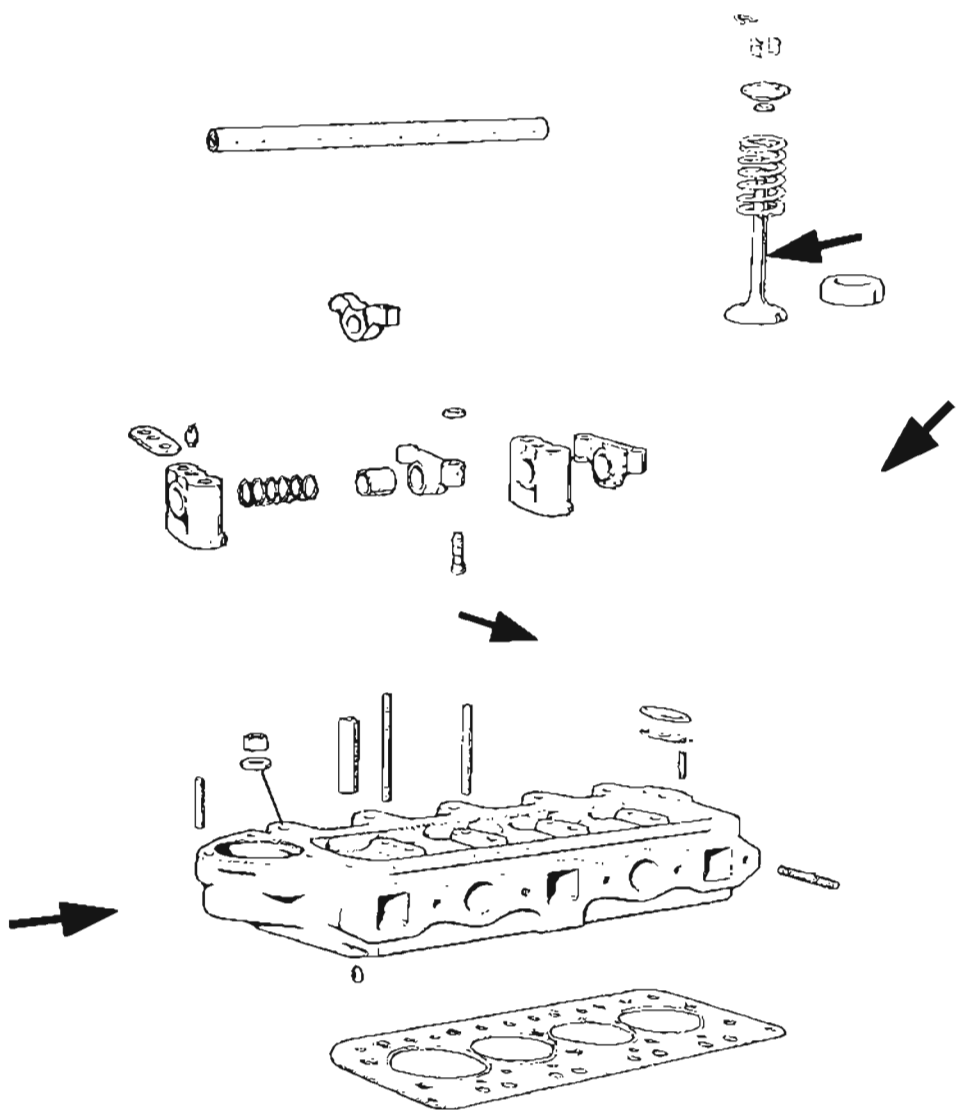
NO.	PART NO.	DESCRIPTION	QTY	REMARKS	
1	BHM1136	Con rod set	1set	Use BHM1137	
2	LFH10006	Con rod bolt, was 12G1300	8	Hi-spec set - C-STR317	
3	13H5872	Con rod nut.....	8		
4	CAM6232	Crankshaft (rolled radius journals CAM6232 casting)	1	Was BHM1243	
4	8G2740	Original crank with 12G1505 casting	1	Reground only	
5	6K836	Crankshaft keyway	1		
6	8G2553	Con rod bearing, VP91306	1	Available in 10/20/30/40	
7	8G2391	Mains bearing, VP91120	1		Available in 10/20/30/40
8	BHM1293	Thrust washer set, VPW41	1		Available in 03/30 thou
9	22G1053	Primary gear 24 teeth.....	1		
9	DAM8890	Primary gear 29 teeth (A plus).....	1	12H706AA, 23201 on	
10	DAM8889	Bush front	1		
11	22G109	Bush rear.....	1		
12	DAM6490	Primary gear shim 2.84-2.89mm (.112-.114")	1	These shims are used to give the correct end float of 3-6 thou on the primary gear. Check 22A319 and 88G459 for wear.	
12	DAM6486	Primary gear shim 2.89-2.94mm (.114-.116")	1		
12	DAM6487	Primary gear shim 2.94-2.99mm (.116-.118")	1		
12	DAM6488	Primary gear shim 2.99-3.04mm (.118-.120")	1		
12	DAM6489	Primary gear shim 3.04-3.09mm (.120-.122")	1		
13	22A319	Thrust washer U clip.....	1		
14	88G549	Backing ring.....	1		
15	AEG523	Camshaft	1		
16	CHM108	Oil pump driving flange	1		
17	AHU2379	Camshaft retainer plate.....	1		
18	12G1397	Camshaft gear duplex	1		
19	12G4337	Camshaft gear simplex	1	12H706AA, 3997 on	
20	6K629	Camshaft nut.....	1		
21	2A759	Camshaft locktab	1		
22	12G1699	Crankshaft gear duplex.....	1		
23	8G725	Crankshaft gear simplex	1	12H706AA, 3997 on	
24	2H4905	Timing chain duplex.....	1		
25	3H2127	Timing chain simplex.....	1		
26	6K628	Washer to shim crank gear	A/R	As required	
27	12G2621	Tensioner (only fits 12G2626 front plate)	1	Simplex only	
28	12G2628	Tensioner mounting plate	1		
29	12G2629	Tensioner pivot pin.....	1		
30	12G619	Front plate gasket for AEG161	1		
30	12G2981	Front plate gasket for 12G2626	1		
31	AEG161	Front plate duplex	1	NLA	
31	12G2626	Front plate simplex	1	12H706AA, 3997 on	
32	SH605051	Screw-plate to crankcase	2		
33	GHF321	Washer.....	2		
34	AEA687	Screw, front plate to mains cap	2	Duplex only	
34	53K2016	Screw, front plate to mains cap	2	Simplex	
35	WKN505	Keyway camshaft	1		
36	12G4499	Distributor drive spindle	1		
37	13H2792	Distributor housing oil seal	1		
38	12A1136	Distributor housing	1	NLA	
39	2A13	Cam follower	8		

'A' PLUS BLOCKS 1275 ENGINES WITH 12H ENGINE NUMBER



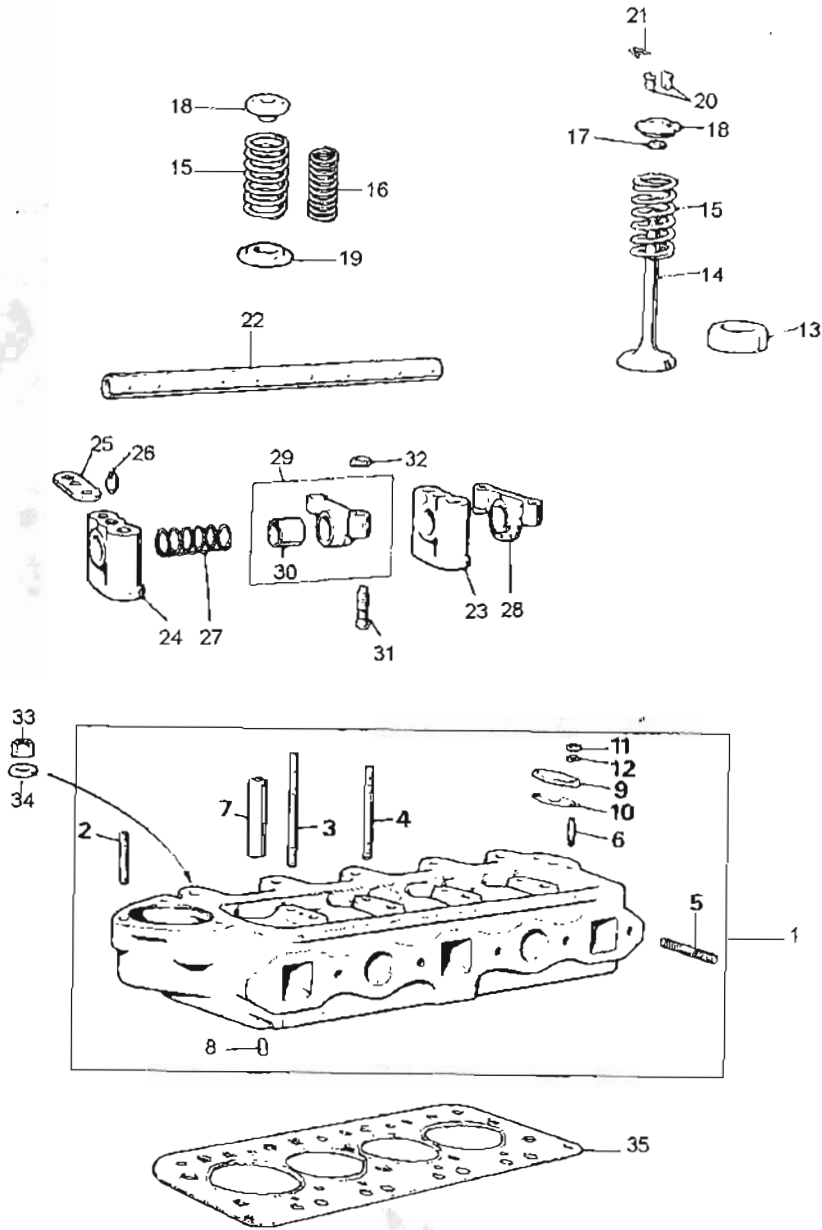
NO.	PART NO	DESCRIPTION	QTY	REMARKS
1	BHM1137	Con rod set	1	
2	LFH10006	Con rod bolt, alternative hi-spec set C-STR317	8	
3	CAM6263	Con rod nut	8	
4	CAM6232	Crankshaft rolled radius journals (CAM6232 casting)	1	Was BHM1437
5	6K836	Crankshaft keyway	1	
6	8G2553	Con rod bearing set, VP91306	1	
7	BHM1574	Centre locating tab, main bearings	1	All Turbo and 85 on
7	8G2391	Main bearing set, VP91120	1	
8	BHM1293	Thrust washer set, VPW41	1 set	In 03/15/30 thou oversize
9	DAM8890	Primary gear (29 teeth) Interchangeable fitment	1	Standard fitment
9	DAM9373	Primary gear (30 teeth) Interchangeable fitment	1	Economy gear
10	DAM8889	Bush, front	1	
11	22G109	Bush, rear	1	
12	DAM6490	Primary gear shim 2.84-2.89mm (.112-114")	1	These shims are used to give the correct end float of 3-6 thou on the primary gear. Check 22A319 and 88G549 for wear.
12	DAM6486	Primary gear shim 2.89-2.94mm (.114-116")	1	
12	DAM6487	Primary gear shim 2.94-2.99mm (.116-118")	1	
12	DAM6488	Primary gear shim 2.99-3.04mm (.118-120")	1	
12	DAM6489	Primary gear shim 3.04-3.09mm (.120-122")	1	
13	22A319	Clip U washer	1	
14	88G549	Backing ring	1	
15	12G2983	Camshaft	1	
15	CAM6648	Camshaft as per MG Metro	1	
16	DAM2821	Plastic oil seal protector	1	Verto clutches
17	AHU2379	Camshaft retainer plate	1	
18	6K629	Camshaft retainer nut	1	
19	2A759	Locktab	1	
20	12G4337	Camshaft gear	1	
21	8G725	Crankshaft gear	1	
22	3H2127	Timing chain	1	
23	6K628	Washer to shim crank gear	1	
24	12G2621	Tensioner	1	
25	12G2628	Tensioner mounting plate	1	
26	12G2629	Tensioner rivot pin	1	
27	CAM4700	Front plate gasket	1	
28	12G2626	Front plate	1	
29	SH605051	Screw to front plate	2	
30	GHF321	Washer	2	
31	53K2016	Screw front plate to maincap	2	
32	WF600041	Washer	2	
33	V:KN505	Camshaft keyway	1	
34	12G3560	Distributor drive spindle	1	
35	613857A	Distributor retaining clip	1	
36	CAM6105	Retainer screw	1	
37	2A13	Cam follower, alternative AEG584 with oil hole	8	
38	AEG314	Push rod	8	

CYLINDER HEAD 850CC, 998CC AND 1100CC PRE 'A' PLUS TO 1980



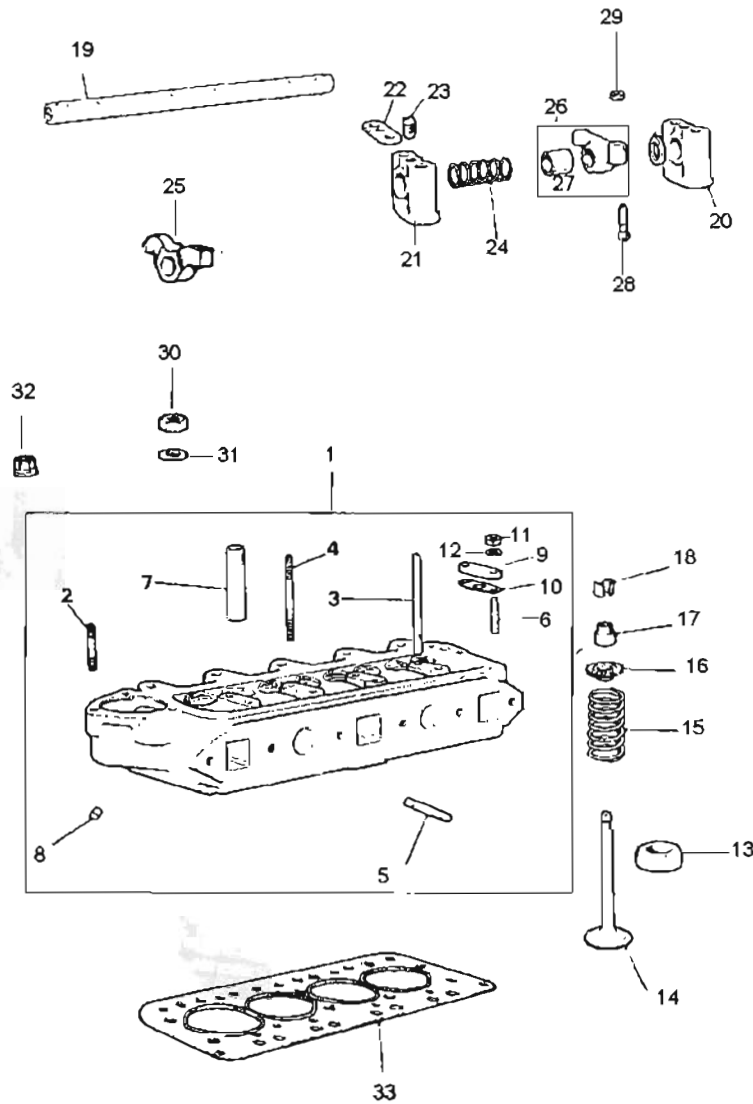
NO.	PART NO.	DESCRIPTION	QTY	REMARKS
1	12A1455	Cylinder head (12A1456 head casting)	1	850cc and 998cc
1	28G193	Cylinder head (12G202 head casting)	1	1100cc
2	CHS2515	Stud, water elbow outlet	3	
3	51K885	Stud, rocker cover long	2	
4	CHS522	Stud, rocker post short	2	2.75" (71mm long)
4	51K1473	Stud, rocker cover short	2	2.6875" (68mm long)
5	53K487	Stud, manifold	6	
6	53K402	Stud, heater valve	2	
7	12G1111	Valve guide - was 2A608	8	850cc and 998cc
7	12A186	Valve guide	8	1100cc
8	6K808	Oil hole plug	1	1100cc
8	2K1345	Oil hole plug	1	850cc and 998cc
9	2A180	Heater tap blanking plate	1	When required
10	88G221	Heater take off gasket	1	
11	AEA763	Valve seat insert exhaust	4	Use TAM2068 lead free
11	AEA762	Valve seat insert inlet	4	
12	2A877	Inlet valve large collet groove	4	850cc and 998cc
12	CAM6391	Inlet valve small collet groove	4	850cc and 998cc
12	12G3036	Inlet valve small collet groove	4	1098cc
12	AEA574	Inlet valve large collet groove	4	1098cc
12	AEA434	Exhaust valve large collet groove	4	
12	12A1987	Exhaust valve small collet groove	4	
13	AEA311	Valve spring	8	
14	2A879	Valve oil seal	8	
15	88G616	Top cap for large collet groove	8	
15	88G617	Top cap for small collet groove	8	
16	2A11	Valve cotter for 88G616 large collet groove	8pr	NLA
16	88G459	Valve cotter for 88G617 small collet groove	8pr	
7	2A12	Circlip for valve cotters	8	No longer required
8	12A1950	Rocker shaft	1	
19	12G1926	Rocker shaft post with oil hole	3	
20	12G1927	Rocker shaft post tapped	1	
21	2A515	Rocker post locking plate	1	NLA use 2A259
22	2A258	Locating plug	1	
23	6K556	Rocker spacer spring	3	
24	2A964	Rocker pressed steel, original	NLA	Use 12G1221 or CAM289
25	12G1221	Rocker forged	8	Alternative
26	2A21	Bush	8	Not for CAM289
27	CAM289	Rocker sintered non bush type	8	
28	AEG167	Rocker screw	8	Thread size 5/16 UNF
28	12A1215	Rocker screw for 2A964	8	NLA
29	6K654	Adjuster nut	8	7/16 AF Spanner size
29	NT605051	Adjuster nut for 12G1221 and CAM289	8	1/2 AF Spanner size
30	51K1193	Cylinder head nut	9	
31	GHF302	Head nut washer	8	
32	GUG702506HG	Cylinder head gasket, wasTAM2121B,AJM302 and GYUG2506HG	1	

997CC AND 998CC COOPER CYLINDER HEAD



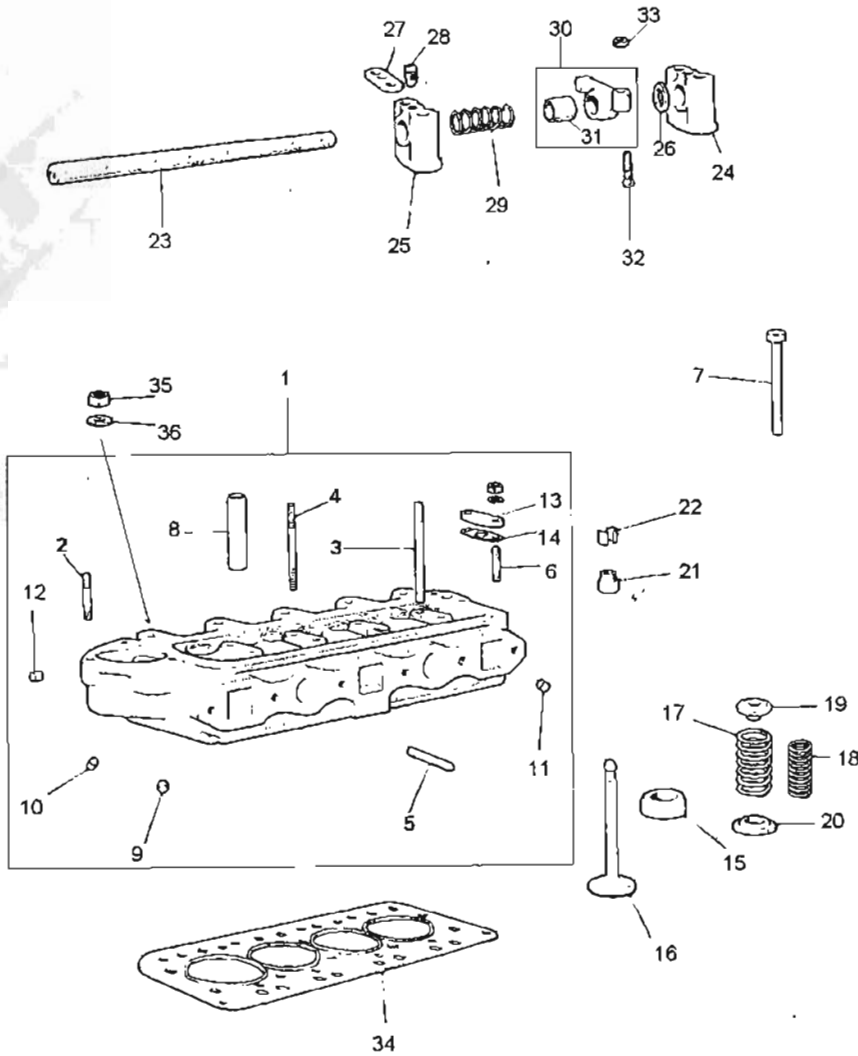
NO.	PART NO.	DESCRIPTION	QTY	REMARKS
1	28G222	Casting 12G295 998cc	1	
1	28G193	Cylinder head 997cc (12G202 head casting)	1	
2	CHS2515	Stud, water elbow outlet	3	
3	51K885	Stud, rocker cover long	2	
4	51K1473	Stud, rocker cover short	2	
5	53K487	Stud, manifold	6	
6	53K402	Stud, heater valve	2	
7	12A186	Valve guide	8	
8	6K808	Oil hole plug	1	
9	2A180	Heater tap blanking plate	1	If required
10	88G221	Heater take-off gasket	1	
11	GHF200	Heater valve nut	2	
12	LWZ304	Washer	2	
13	AEA763	Valve seat insert exhaust	4	Use TAM2068 lead free
13	AEA762	Valve seat insert inlet	4	
14	12G296	Inlet valve	4	
14	12G3034	Inlet valve (uses 88G459 cotter)	4	
14	AEA400	Exhaust valve (can use AEA434)	4	
14	12G3035	Exhaust valve (uses 88G459 cotter)	4	
15	AEA311	Valve spring outer	8	
16	AEA401	Valve spring inner	8	998cc only
17	2A879	Valve oil seal	8	
18	88G616	Top cap	8	
19	AEA403	Bottom spring collar	8	998cc only
20	2A11	Valve cotter	8 pr	NLA
20	88G459	Valve cotter (only for 12G3034/3035)	8	
21	2A12	Circlip	8	No longer required
22	12A1950	Rocker shaft	1	
23	12G1926	Rocker shaft post with oil feed	3	
24	12G1927	Rocker shaft tapped	1	
25	2A515	Rocker post locking plate	1	
26	2A258	Locating plate plug	1	
27	6K556	Rocker spacer spring	3	
28	2A964	Rocker pressed steel	8	NLA
29	12G1221	Rocker forged	8	
30	2A21	Rocker bush	8	
31	AEG167	Adjusting screw for 12G1221	8	
31	12A1215	Adjusting screw for 2A964	8	NLA
32	NT605061	Adjusting screw nut for 12G1221	8	
32	6K654	Adjusting screw nut for 2A964	8	
33	51K1193	Cylinder head nut	9	
34	GHF302	Cylinder head washer	9	
35	GUG702506HG	Cylinder head gasket, was TAM2121B and AJM302	1	

CYLINDER HEAD, 998CC, 'A' PLUS 1980 ON



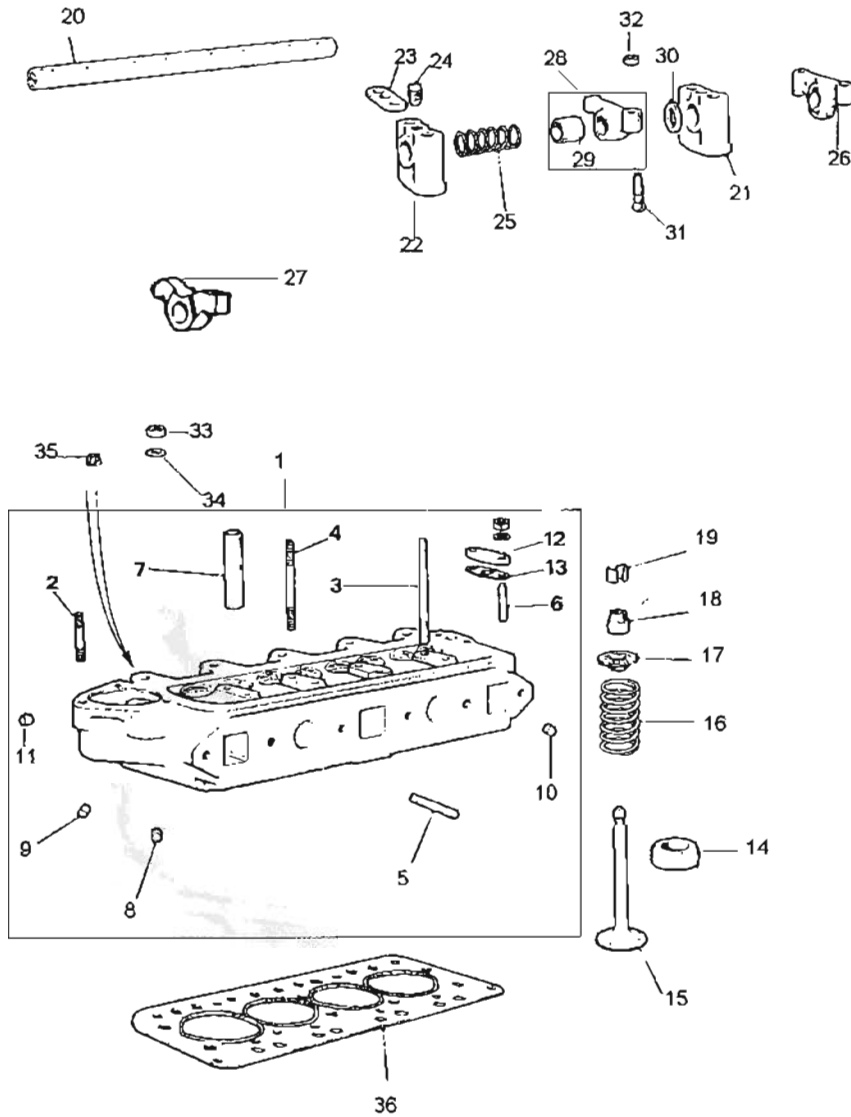
NO.	PART NO.	DESCRIPTION	QTY	REMARKS
1	CAM6517	Cylinder head	1	L.C.
1	CAM6812	Cylinder head - use TAM2168	1	H.C. Triple collet groove
1	TAM2168	Cylinder head	1	Lead free
2	CHS2515	Stud, water elbow	3	
3	51K885	Stud, rocker cover long	2	
4	CHS522	Stud, rockers short	2	
5	53K487	Stud, manifold	6	
6	53K402	Stud, heater tap valve take-off	2	
7	12G1111	Valve guide, was 2A608	8	12G1963 alternative
8	RU612123	Oil hole plug	1	
9	2A180	Blanking plate, heater take-off	1	If required
10	88G221	Gasket	1	
11	GHF200	Nut	2	
12	LWZ304	Washer for nut	2	
13	AEA762	Valve insert inlet	4	
13	TAM2152	Valve insert inlet	4	Lead free
13	AEA763	Valve insert exhaust, was 2A640	4	Use TAM2068
13	TAM2068	Valve insert exhaust	4	Lead free
14	TAM1062	Inlet valve H.C. and lead free	4	Triple collet groove
14	TAM1770	Exhaust valve H.C. and lead free	4	Triple collet groove
14	CAM6502	Inlet valve, collet groove put up .140 thou from valve tip ..	4	Use 12G1015 spring
14	CAM6503	Exhaust valve collet groove put up .140 thou from valve tip ..	4	Use 12G1015 spring
14	CAM6505	Exhaust valve collet groove put up .140 thou from valve tip ..	4	Lead free, chrome stem
14	CAM6391	Inlet valve, top of collet groove .220 thou from valve tip ..	4	Use AEA311 spring
14	12A1987	Exh valve, top of collet groove .220 thou from valve tip ..	4	Use AEA311 spring
15	12G1015	Valve spring for all triple collet valves	8	Plus CAM6502/3/5
15	AEA311	Valve spring	8	For 12A1987/CAM6391
16	88G617	Top cap, single groove	8	
16	AHU1897	Top cap, triple groove	8	
17	ADU4905	Valve oil seal	8	
18	88G459	Cotter	8 prs	Single groove valve
18	CAM6975	Cotter	8 prs	Triple groove valve
19	12A1950	Rocker shaft	1	
20	12G1926	Rocker shaft post with oil feed hole	3	
21	12G1927	Rocker shaft post tapped	1	
22	2A515	Rocker shaft post locking plate	1	NLA use 2A259
23	2A258	Locating plate plug	1	
24	6K556	Rocker spacer spring	3	
25	CAM289	Rocker sintered	8	
26	12G1221	Rocker forged	8	Alternative in sets
27	2A21	Rocker bush	8	Not fitted to CAM289
28	AEG167	Adjusting screw	8	
29	NT605061	Adjusting nut	8	
30	51K1193	Cylinder head nut, until CAM4545	9	
31	GHF302	Washer, until CAM4545 fitted	9	
32	CAM4545	Head nut with built in washer	9	
33	GUG2506HG	Cylinder head gasket, was TAM2121B and AJM302	1	

CYLINDER HEAD COOPER 'S' 970CC, 1071CC AND 1275CC



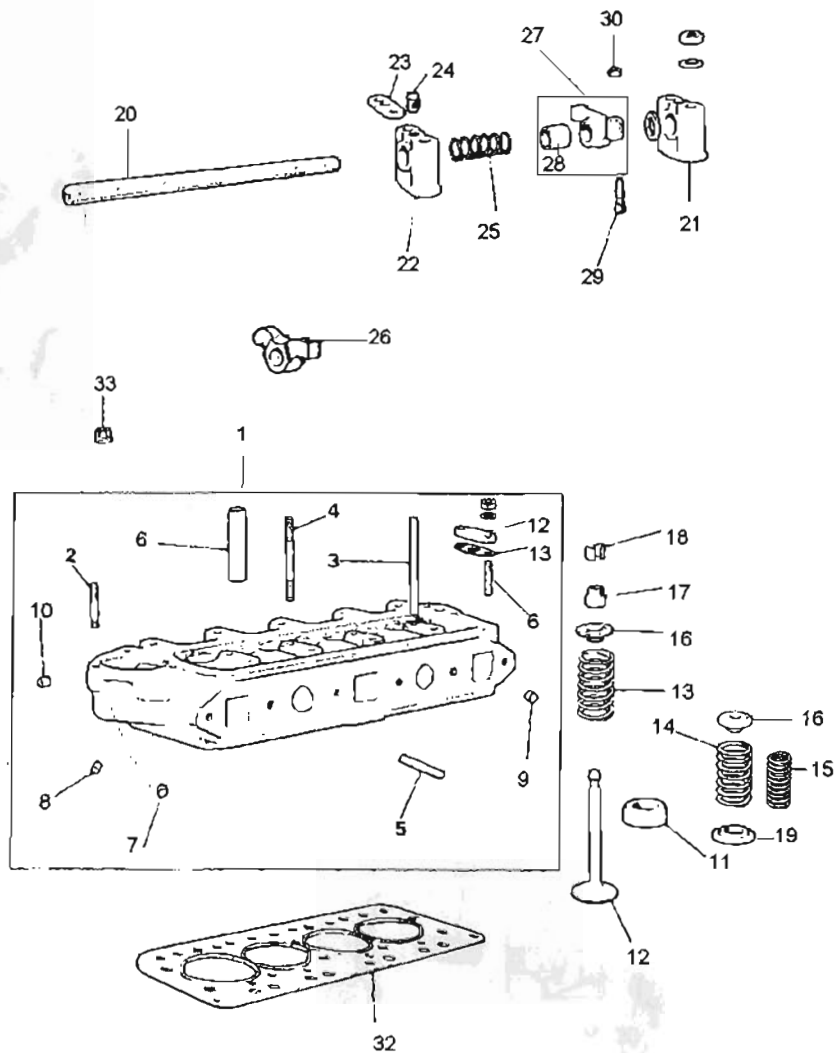
NO.	PART NO.	DESCRIPTION	QTY	REMARKS
1	12G1805	Cylinder head (12G940) casting	1	35mm inlet/29mm exh
1	38G360	Cylinder head (AEG163) casting, C.W.E.	1	35mm inlet/31mm exh
2	CHS2515	Stud, water elbow outlet	3	
3	51K885	Stud, rocker cover long	2	
4	51K1473	Stud, rocker cover short	2	
5	53K487	Stud, manifold	6	
6	53K402	Stud, heater tap	2	
7	AEG248	Extra cylinder head bolt	1	
8	12G1963	Valve guide, tapered nose	8	
9	C-AJJ4037	Bronze hidural valve guides	1 set	AEG163 casting
9	2K1345	Oil hole plug	1	
10	12G2092	Water hole plug	3	
11	AEA771	Water and dowel hole plug	2	
12	12G3503	Cleaning hole plug	2	Was 12H1734
13	2A180	Heater take-off blanking plate	1	When required
14	88G221	Heater tap gasket	1	
15	12G1089	Inlet valve insert	4	
15	12G2675	Exhaust valve insert	4	
16	AEG593	Inlet valve nimonic EN214N material	4	AEG163 casting only
16	AEG592	Inlet valve	4	12G940 casting only
16	AEG594	Exhaust valve 31mm diameter EN214N	4	AEG163 casting
16	12G1322	Exhaust valve 29mm diameter	4	12G940 casting
17	AEA767	Outer valve spring	4	Available as spring set C-AEA525
18	12G1137	Inner valve spring	8	
19	88G617	Top cap	8	
19	AEA653	Top cap, steel (was "W" stamped)	8	Cooper 'S'
20	AEA403	Bottom cap	8	
21	AEG327	Valve oil seal	8	Inlets only on MK3 'S'
22	88G459	Valve cotter	8 prs	
23	12A1950	Rocker shaft	1	Use C-AEG399
24	12G1926	Rocker shaft post with oil hole	2	
25	12G1927	Rocker shaft post tapped	2	
26	AEG168	Spacer rocker shaft	A/R	
27	2A515	Rocker post locking plate	1	NLA use 2A259
28	2A258	Locating plate plug	1	
29	6K556	Rocker spacer spring	3	
30	12G1221	Rocker, forged	8	
31	2A21	Rocker bush	8	
32	AEG167	Rocker adjusting screw	8	
33	NT605061	Rocker adjusting nut	8	
34	GEG300	Head gasket, copper	1	
34	GUG2507HG	Head gasket, was TAM1521	1	
35	51K1193	Cylinder head nut	10	
36	GHF302	Washer	10	Was PWN106

1275 EXCEPT COOPER 'S' AND TURBO



NO.	PART NO.	DESCRIPTION	QTY	REMARKS
1	38G399	Cylinder head	1	
1	LDF10213	Cylinder head	1	Lead free
2	CHS2515	Stud, for thermostat housing	3	
3	51K885	Stud, rocker cover long	2	
4	CHS522	Stud, rocker post short	2	
5	53K487	Stud, manifold	6	
6	53K402	Stud, heater valve take-off	2	
7	12G1111	Valve guide	8	
8	2K1345	Oil hole plug	1	
9	12G2092	Water hole plug	3	
10	AEA771	Water and dowel hole plug	2	
11	12G3503	Cleaning hole plug	2	Was 12H1734
12	2A180	Heater tap blanking plate	1	
13	88G221	Heater take-off gasket	1	
14	12G1089	Valve seat insert inlet	4	Not lead free
14	TAM2069	Valve seat insert exhaust	4	Lead free only
14	12G2675	Valve seat insert exhaust	4	
15	12G941	Inlet valve	4	33mm diameter
15	TAM1058	Inlet valve, triple collett groove	4	Lead free 33mm
15	12G1322	Exhaust valve	4	
15	TAM1061	Exhaust valve, triple collett groove	4	Lead free
16	12G1015	Valve spring	8	
17	88G617	Top cap	8	
17	AHU1897	Top cap	8	Triple collett groove
18	AEG327	Valve seal (inlets)	4	Exhaust optional
18	ADU4905	Valve seal	8	'A' Plus
19	88G459	Valve cotter	8 prs	
19	AHU1897	Valve cotter	8 prs	For triple groove valves
20	12A1950	Rocker shaft	1	
21	12G1926	Rocker shaft post with oil feed hole	3	
22	12G1927	Rocker shaft post tapped	1	
23	2A515	Rocker post locking plate	1	NLA use 2A259
24	2A258	Locating plate plug	1	
25	6K556	Rocker spacer spring	3	
26	12G1313	Rocker pressed steel, NLA, 7/16" AF spanner size nut	8	Use CAM289/12G1221 sets
27	CAM289	Rocker sintered (no bush) 1/2" AF spanner size nut	8	
28	12G1221	Rocker forged	8	Alternative
29	2A21	Rocker bush	8	Not CAM289
30	AEG168	Spacing washer	A/R	
31	AEG167	Rocker screw, uses NT605061	8	Except 12G1313
32	NT605061	Rocker screw nut, 1/2" AF spanner size nut	8	
33	51K1193	Head nut	9	
34	GHF302	Head washer was PWN106	9	
35	CAM4545	Head nut with shoulder	9	Alternative to 33/34
36	GEG300	Head gasket (PAYEN AF460)	1	
36	GUG702560HG	Head gasket, was TAM1521	1	

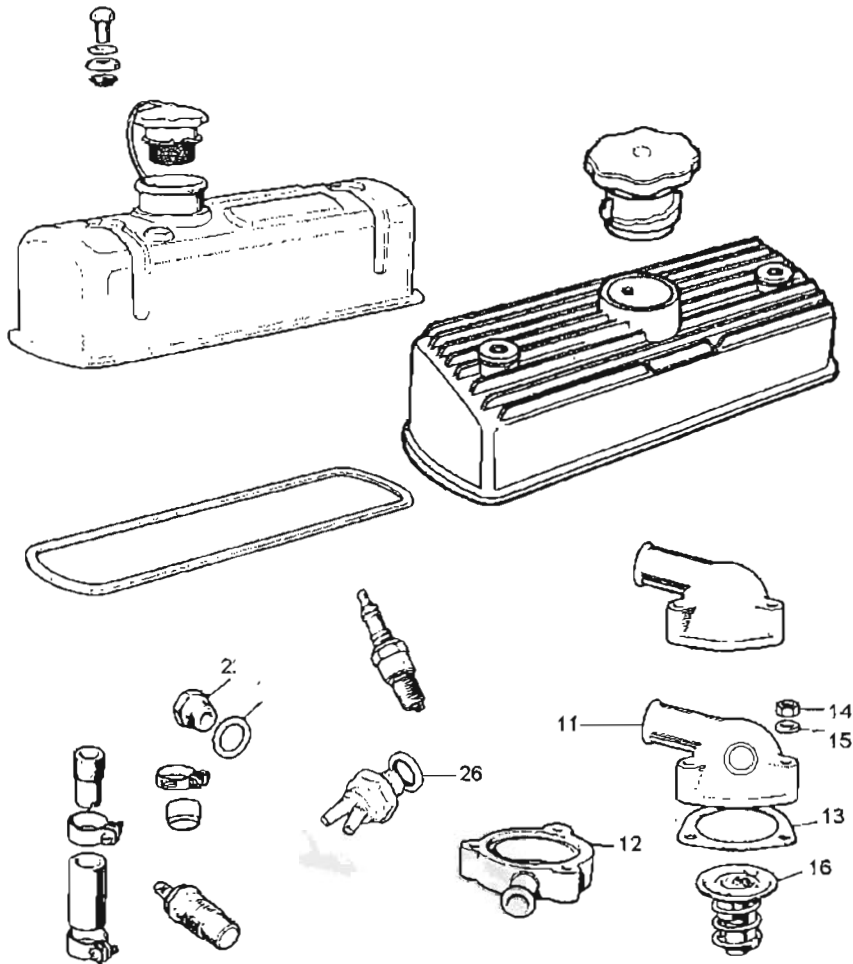
CYLINDER HEAD 1276 TURBO AND HEADS WITH TRIPLE COLLETT GROOVE VALVES



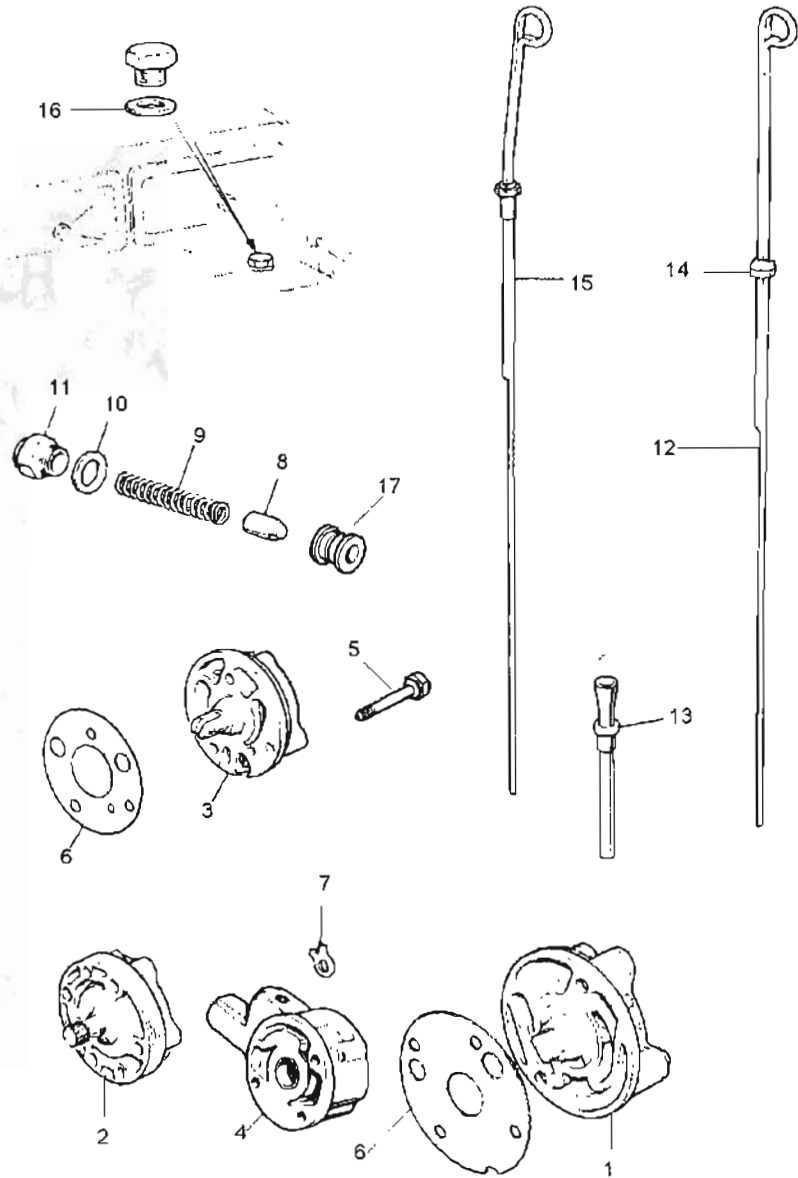
NO.	PART NO.	DESCRIPTION	QTY	REMARKS
1	CAM6979	Cylinder head	1	Turbo
1	TAM2153	Cylinder head 33mm inlet 29mm exhaust.....	1	Unleaded
1	CAM6633	Cylinder head 35mm inlet 29mm exhaust.....	1	MG Metro
2	CHS2515	Stud, water elbow	3	
3	51K885	Stud, rocker cover long	2	
4	CHS522	Stud, rocker short.....	2	
5	53K487	Stud, manifold.....	6	
5	TE605131	Manifold stud	6	Turbo
6	12G1111	Valve guide inlet.....	8	(4 for Turbo)
6	CAM6980	Valve guide, exhaust	4	Turbo only
7	CDU2601	Rivet - oil hole.....	1	
8	12G2092	Water hole plug	1	
9	AEA771	Water and dowel hole plug.....	1	
10	12G3503	Plug.....	1	Was 12H1734
11	12G1089	Valve seat insert, inlet	4	
11	TAM2069	Valve seat insert, exhaust	4	Lead free
11	12G2675	Valve seat insert, exhaust	4	
12	TAM1058	Inlet valve 33mm diameter	4	Lead free
12	TAM1330	Inlet valve 33mm diameter	4	Turbo
12	TAM1059	Inlet valve 35mm diameter	4	MG Metro
12	TAM1061	Exhaust valve 29mm diameter.....	4	
12	AHU1976	Exhaust valve 29mm diameter.....	4	Turbo
13	12G1015	Valve spring	8	Except Turbo
14	AEA767	Valve spring outer	8	Turbo only
15	12G1137	Valve spring inner	8	Turbo only
16	AHU1897	Top cap.....	8	Except Turbo exhaust
16	CAM6582	Top cap.....	4	Turbo exhaust only
17	ADU4905	Valve seal (with spring).....	8	
18	CAM6975	Valve cotter.....	8 prs	Except Turbo exhaust
18	CAM6573	Valve cotter.....	4 prs	Turbo exhaust only
19	AEA403	Valve spring bottom collar.....	8	When 12G1137 fitted
20	12A1950	Rocker shaft	1	
21	12G1926	Rocker shaft post with oil feed	3	
22	12G1927	Rocker shaft post tapped	1	
23	2A515	Rocker post locking plate	1	NLA, Use 2A259
24	2A258	Locating plug	1	
25	6K556	Rocker spacer spring	3	
26	CAM289	Rocker (sintered).....	8	Fit as sets only
27	12G1221	Rocker forged.....	8	As sets only
28	2A21	Rocker bush	8	Except CAM289
29	AEG167	Rocker adjuster screw.....	8	
30	NT605061	Rocker screw nut.....	8	
31	AEG168	Rocker spacer washer.....	A/R	As required
32	GUG702560HG	Head gasket, was TAM1521.....	1	
33	CAM4545	Cylinder head nut.....	9	

ENGINE COMPONENTS CYLINDER HEAD

NO.	PART NO.	DESCRIPTION	QTY	REMARKS
1	12A1530	Rocker cover, closed circuit breather	1	Not 11 stud heads ('S')
1	LDR10074	Rocker cover	1	1985 on
2	CAM6822	Alloy rocker cover	1	MG Metro/Turbo
2	FP26	Flat ribbed top alloy rocker cover with polished cap	1	
2	ROCKERCVR	Flat ribbed top "Mini Spares" alloy rocker cover	1	
3	GFE6007	Rocker cap (Red), was GFE6004	1	Use on CAM6822
4	GFE6003	Rocker cap with strap	1	Closed breathing type
4	13H2296	Rocker cap, without strap	1	Closed breathing type
4	GFE6022	Rocker cap, non breather type (was 12A402)	1	
5	12A1358	Rubber bush	2	
6	1A2156	Bush cup washer	2	
7	1B2925	Distance piece	2	
8	2A150	Nut cap	2	
6	12G679	Washer chrome	2	Also as kit SAC71L only
7	12G687	Spacer chrome	2	Also as kit SAC71L only
8	CAM6823	Nut cap chrome	2	Also as kit SAC71L only
9	GUG705009VC	Rocker cover gasket (was GEG401)	1	
9	GUG5038VC	Rocker cover gasket (was GEG417)	1	
10	12G103	Thermostat housing	1	
11	12A408	Tapped thermostat housing	1	N.L.A.
11	PEQ10019	Tapped thermostat housing, Cooper 1300cc HIF44	1	With catalyst
11	PEQ10010	Tapped thermostat housing, HIF38 (12AG03/4 engine)	1	For MAQ10002 switch
12	PEM10036	Sandwich plate, with radiator fixing lug (HIF44 Cooper)	1	With catalyst 1300cc
12	PEG10002	Sandwich plate, with radiator fixing lug	1	For PEQ10010 housing
13	GTG101	Thermostat gasket	A/R	
14	GHF201	Nut	3	Was NH605041
15	GHF301	Washer	3	Was WA108051
16	GTS102	Thermostat 74° (165F)	1	
16	GTS104	Thermostat 82° (180F)	1	
16	GTS106	Thermostat 88° (190F) (GTS1106, genuine)	1	1975 on
17	2A243	Cylinder head by pass adaptor short	1	NLA use 12A2075
17	12A2075	Cylinder head by pass adaptor long	1	Use GZA2086 hose
18	GZA2083	By pass hose long was 12A1093	1	When 2A243 fitted
18	GZA2086	By pass hose short was 12A2178	1	When 12A2075 fitted
18	AEG484	By pass hose long	1	Cooper 'S'
19	3H2963	Hose clip	2	
20	CAM4126	Blanking plug for by pass hose	1	When required
21	GHC507	Clip for CAM4126, (alternative clip 3H2963)	1	When required
22	ADP210	Plug, for thermal transmitter hole, cyl/head or 12A408	1	
23	1B3664	Washer for ADP210	1	
24	GTR101MS	Temperature transmitter, alternative to GTR143/GTR102	1	
24	GTR104	Temperature transmitter, Cooper 'S' to 1971	1	
24	GTR143	Temperature transmitter, Cooper 1989 on	1	
24	GTR185	Temperature transmitter, fuel injected TBI 10/91 on	1	
25	MAQ10002	Switch in thermostat housing for direct feed from vac unit	1	12A G03/4 Engine
26	MAW10001	Seal for vacuum switch	1	
27	GSP4362 -UNIPART	N9Y -CHAMPION	BP6ES -NGK	Was GSP163 to 1986
	GSP4382 -UNIPART	N12Y -CHAMPION	BP5ES -NGK	Non resistive 1987-89
	GSP4352 -UNIPART	N6Y -CHAMPION	BP7ES -NGK	Hotter running plug
	GSP4482 -UNIPART		BPR4ES -NGK	1990 interference suppressed plug
	GSP4462 -UNIPART			Fuel injected TBI



OIL PUMP / PRÉSSION VALVE, DIPSTICKS

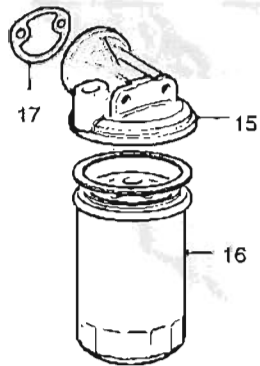
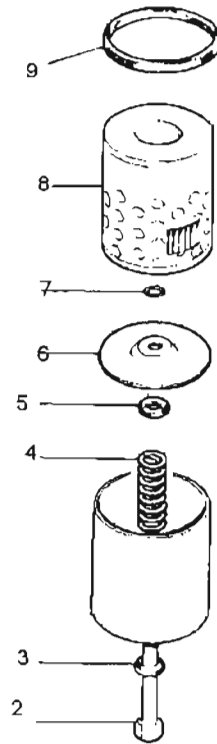
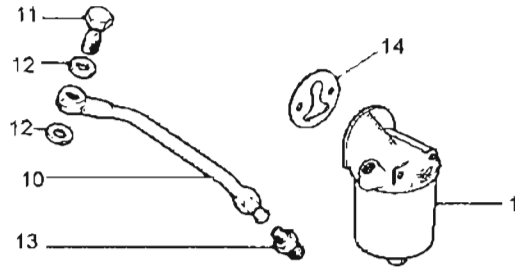


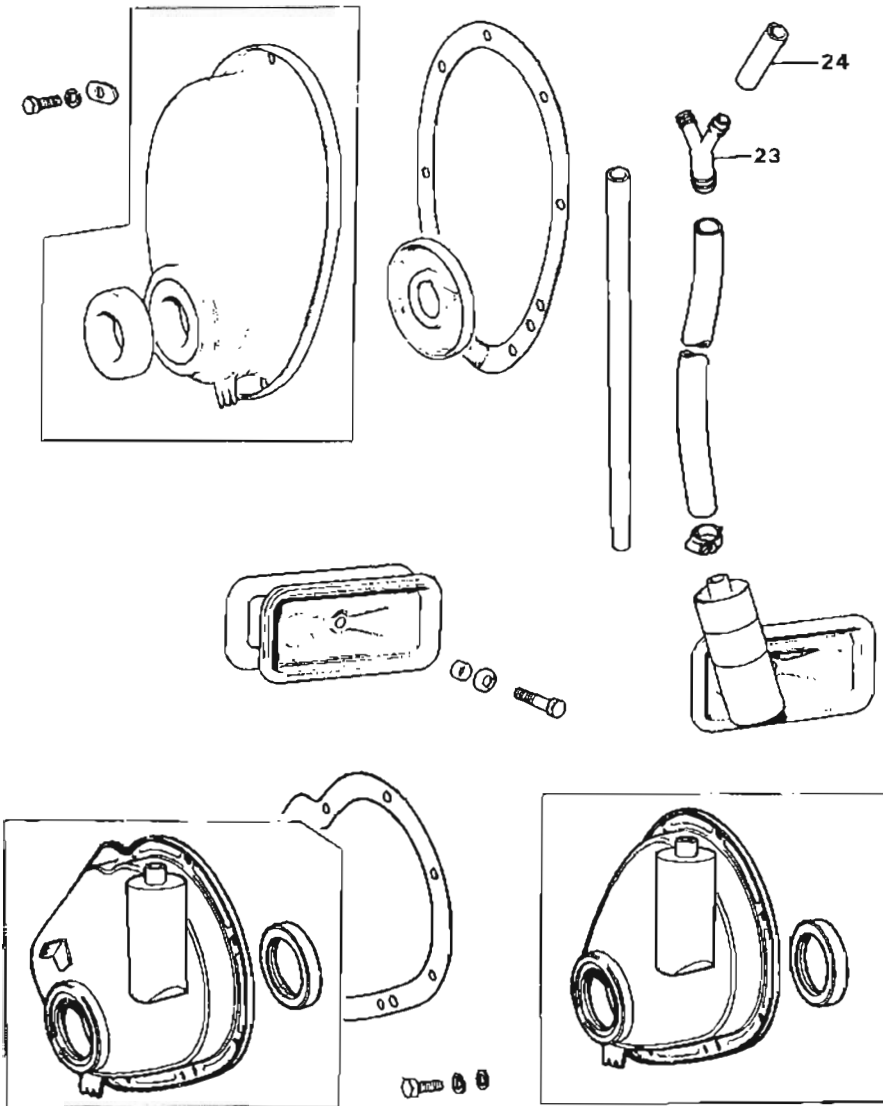
NO.	PART NO.	DESCRIPTION	QTY	REMARKS
1	GLP110	Oil pump slot drive was CAM6614	1	MG Turbo
1	GLP110MS	Sureflow body standard type Turbo pump	1	
1	GLP138	Oil pump slot drive was AHU1048	1	'A' plus 1300cc
1	C-AEG412	Sureflow slot drive	1	'A' plus 1300cc
1	GLP139	Oil pump slot drive was AHU1050	1	'A' plus except 1300cc
1	C-AEG413	Sureflow slot drive	1	'A' plus except 1300cc
2	GLP141	Oil pump star drive was CHM140 (2 bolt fitting) 1275cc	1	Hoburn Eaton
2	C-AEG411	Sureflow oil pump star drive 4 bolt fitting 1275cc	1	Replaces 12G1128
3	GLP142	Oil pump pin drive was 12G793, 850/998/1000cc	1	Pre 'A' plus except 'S'
3	C-AEG414	Sureflow pin drive except 1275cc and 'S'	1	As per GLP142
3	C-AEG410	Sureflow oil pump pin drive was AEG410	1	Cooper 'S' Not MK3
4	GLP107	Automatic oil pump was 12G796	1	Pre 'A' plus
4	GLP113	Automatic oil pump was 12A1979	1	'A' plus
5	TAM1174	Oil pump bolt was BH604131	A/R	Sureflow all Hoburn Eaton
5	BH604140	Oil pump bolt	A/R	Concentric and GLP110
6	12G730B	Oil pump gasket (non genuine)	1	Was 88G411
6	GUG705560GM	Oil pump gasket (genuine)	1	
7	12G926	Locktab for pin drive pumps	1	
7	12G2097	Locktab for spider type pump (Long)	1	Concentric type only
7	12G2098	Locktab for spider type pump (Short)	1	Concentric type only
8	12H865	Valve oil release	1	
	BLS916	Ball bearing, use with AEA536	1	Alternative to valve
9	6K853	Oil valve spring	1	
9	AEA536	Oil valve spring	1	Cooper 'S' only
10	6K431	Copper washer	1	
11	12A1851	Nut cap	1	
12	12A116	Dipstick (also use when 12G107 is fitted)	1	850cc with no tube
13	12G107	Dipstick tube, nylon (use 12A116 with nylon tube)	1	CWE
14	AEC671	Dipstick seal for 12A116	1	
15	LQM100380	Dipstick rod, was 12A1263 (use when 12A1261 is fitted)	1	'A' plus with no tube
13	12A1261	Dipstick tube, metal (use LQM100380 with metal tube)	1	CWE
16	6K464	Washer for oil priming hole	1	When applicable
17	2A797	Oil pressure relief seating in block	1	

P.S. Pin drive pumps fitted to early Mini's and 'S' had the same internals, the shaft on the 'S' was longer to accommodate the block. Sureflow pumps do not give higher oil pressure, but maintain constant pressure under arduous use, such as race or rallying. Their internals are machined to finer tolerances and port design helps prevent drain off of oil back into the sump.

OIL FILTER COMPONENTS

NO.	PART NO.	DESCRIPTION	QTY	REMARKS
1	12A1726	Oil filter assembly durolator.....	1	NLA
2	37H689	Centre bolt.....	1	Aluminium housing
3	17H2281	Seal.....	1	Aluminium housing
3	508380	Seal was 17H1173.....	1	Die-cast housing
4	500319	Spring was 7H25.....	1	
5	7H28	Rubber seal.....	1	
6	17H1148	Pressure plate.....	1	
7	27H2573	Circlip - centre bolt.....	1	NLA
8	GFE103	Filter element with seal.....	1	
8	GFE104	Filter element with seal.....	1	Automatic only
9	12A1591	Housing to filter head seal.....	1	
10	88G538	Block to filter pipe.....	1	CWE Pre spin on
10	TAM2106	Block to filter pipe spin on.....	1	Use TAM2119
10	LQP10033	Block to filter pipe.....	1	12A Engine 1992 on
		LQP10033 requires two of LZB10017 seal / LYH10014 union		
11	2A715	Banjo bolt.....	1	
12	AED172	Copper washer.....	2	
12	LYF10017	Metal washer with internal seal (alternative to AED172).....	2	
13	TAM2119	Connector was TCZ106.....	1	
14	88G402	Filter to block gasket, paper element type.....	1	
15	TAM2097	Spin on filter head.....	1	
15	LPX10026	Spin on filter head.....	1	12A Engine 1992 on
16	GFE148	Oil filter with seal, was GFE149 (replacement filter).....	1	All models
16	GFE21	Superflow filter, micro fine element (was GFE1).....	1	
16	GFE170	Spin on oil filter with seal Turbo (use GFE166).....	1	
16	GFE166	Spin on filter (first grade), replaced GFE170 for turbo.....	1	
17	GUG705553GM	Gasket, for spin on filter (was 12A2035).....	1	



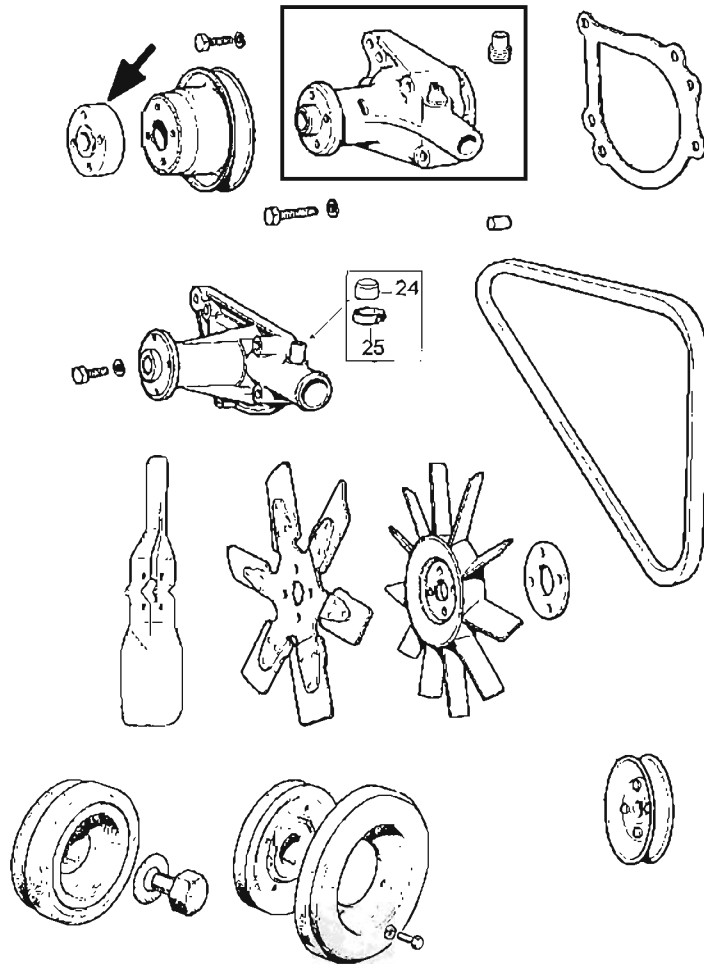


TIMING COVER AND TAPPET INSPECTION COVER

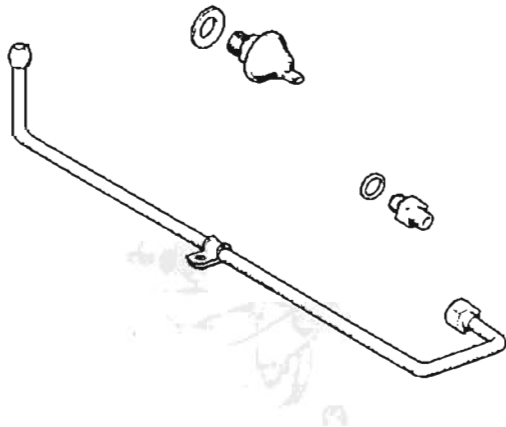
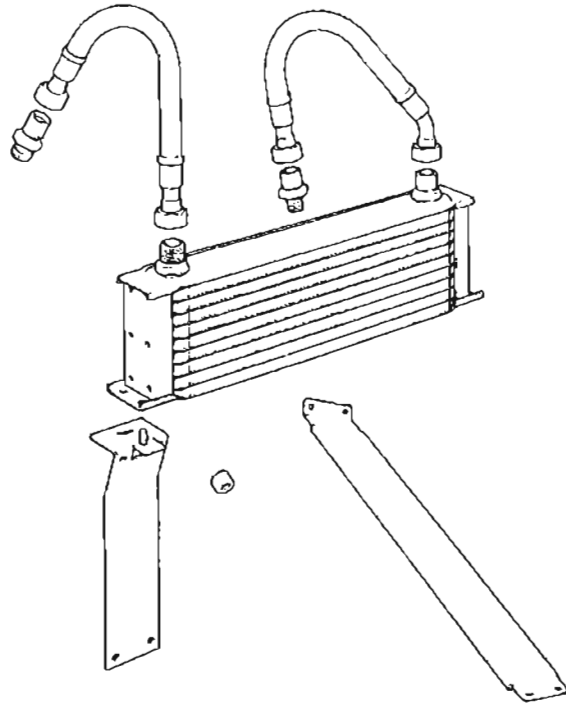
NO.	PART NO.	DESCRIPTION	QTY	REMARKS
1	12G2506	Timing cover	1	Pre pad type tensioner
1	CAM4640	Timing cover	1	Pad type tensloner
1	CAM4904	Timing cover	1	'A' Plus
2	88G561	Oil seal	1	
2	LUF10006	Oil seal for LJR10168 cover	1	
3	12G2507	Timing cover with breather	1	Duplex type
4	12G2623	Timing cover with breather	1	Simplex with pad tensioner
4	CAM4868	Timing cover with breather	1	'A' Plus
4	LJR10168	Timing cover with breather on following engines 1990 on..	1	F75/76/77, G03/4/5
5	12A1148	Oil thrower	1	
6	12A956	Gasket, early type	1	Pre pad type tensioner
7	12G2625	Gasket, tensioner type, with bulge (as per old original)	1	
7	GUG705550GM	Latest spec. genuine 12G2625 gasket	1	
8	SH604031	Screw, cover to front plate	6	
9	GHF300	Washer	6	Was 12G1075
10	GHF331	Spring washer	6	
11	GHF120	Screw, cover to block	4/5	Increase with Simplex
12	GHF301	Washer	4/5	
13	GHF332	Spring washer	4/5	
14	12A1212	Tappet chest cover with breather	1	Use 12A1175 gasket
15	12A1386	Tappet chest cover plain	1	Use 12A1175 gasket
16	12A1139	Cork gasket	2	Pre 12A1175
16	12A1175	Rubber gasket, introduced in 1966, non genuine	2	
16	GUG5505GM	Rubber gasket, genuine	2	
17	BH605101	Tappet chest bolt	2	Rubber gasket type only
18	12A1176	Tappet cover seal	2	Rubber gasket type only
18	MRC1980A	Bush, replaces 12A1176/7	2	1985 on
19	12A1177	Washer cup for bush on 12A1176 only	2	Rubber gasket type only
20	12A1735	Breather hose single carburettor	1	
21	BAU5065M	Breather hose twin carburettor	A/R	Was 37H7085M
22	GHC507	Hose clip, alternative clip 3H2963	2	
23	12G2134	'Y' piece plastic twin carburettor	1	
24	LLH10056	Hose, 'Y' piece to carburettor	1	

Early tappet chest covers which had cork gaskets are obsolete.

WATER PUMP, PULLEYS AND ANCILLARIES



NO.	PART NO.	DESCRIPTION	QTY	REMARKS
1	GWP132	Water pump, small impellor protruding - 0.3125" 7.90mm	1	
1	GWP134	Water pump, large impellor protruding - 0.625" 15.75mm	1	
1	GWP187	Water pump, no by pass outlet, but as per GWP134	1	A plus 1300cc
2	88G618	Adaptor, cut to length required (now cast in pump)	1	
3	88G215	Water pump gasket, non genuine	1	
3	GUG70555GM	Water pump gasket, genuine	1	
4	HZS515	Bolt water pump to block long	2	Alternative TAM1180
5	SH605101	Bolt water pump to block short	2	Alternative TAM1178
6	GHF332	LWN305 washer	4	
7	12G2077	Dowel, water pump to block	2	
8	CAM6323	Crankshaft pulley was 2A940	1	
8	CAM6497	Crankshaft pulley, 'A' plus	1	With timing shutter plate
9	CAM4929	Crankshaft vibration damper pulley	1	CWE use AHU1878
9	AHU1878	Crankshaft vibration damper pulley - 'A' plus	1	With timing shutter plate
10	AEG454	Steel pulley	1	
11	12A367	Damper ring	1	
12	SH605051	Bolt	4	
13	LWZ305	Washer	4	
14	AEA312	Crankshaft pulley bolt 0.75" thread length with chamfer	1	For CAM6323/AEG454
14	12A283	Crankshaft pulley bolt 0.875" thread length	1	For CAM4929
14	TAM2019	Crankshaft pulley bolt 0.75" thread length	1	All A plus
15	12A398	Crankshaft pulley locktab 0.875" hole, except TAM2019	1	Up to TAM2019
15	TAM2020	Crankshaft pulley locktab 0.6875" hole	1	All A plus
16	CAM6239	Water pump pulley, was 2A601 (3.875" diameter)	1	To 1985 plus Turbo/Auto
16	CAM116	Water pump pulley 4.265" 1000cc with 940 head fitted	1	
16	CAM6408	Water pump pully large (4.725" diameter)	1	1985 on
16	12A667	Water pump steel 4.57" use CAM6408	1	Cooper 'S' 1275cc
17	12A312	Distance piece fan to pulley	AVR	
18	12G2452	Distance spacer large	1	NLA
19	GHF101	Bolt was SH604041, fan blade to pump	4	
20	GHF331	Washer	4	
21	12G1305	Eleven blade narrow plastic fan, fins 1.100" wide at tip	1	1959-68 and 1991 on
21	12G2129	Eleven blade thick plastic fan, fins 1.500" wide at tip	1	Wide fins MK3 on
22	2A998	Six blade fan, metal	1	Hot climate
23	2A997	Single blade fan	2	Tuning part
24	CAM4126	Blanking plug cap	1	When required
25	GHC507	Clip, alternative clip 3H2963	1	When required
26	GCB10813	Fan belt for CAM6239 pulley	1	Up to 1985
26	GCB10838	Fan belt for CAM6408 or 12A667 pulleys	1	Dynamo or alternator
26	GCB10825	Fan belt for CAM6408 pulley	1	Latest A127 alternator



OIL COOLERS / OIL GAUGE PIPES AND OIL SWITCHES

NO.	PART NO.	DESCRIPTION	QTY	REMARKS
1	CAM4202	Oil gauge pipe, block to hose	1	
	OL	One piece nylon oil pipe 5ft long	1	
2	2A269	Block union	1	
	TP	'T' piece to replace 2A269 for pressure switch and oil pipe	1	
3	6K464	Fibre washer, alternative to 2K4956	1	When required
4	GPS133	Oil pressure switch tapered, does not require washer	1	
4	HPS1	Oil pressure switch (operates at 22lb pressure)	1	Performance part
4	HPS3	Adjustable oil switch 15-16lb setting	1	
5	C-ARH221	13 row oil cooler	1	'S'
5	MOC10ROW	10 row oil cooler	1	Cooper
6	MOC1013	Complete oil cooler pipe kit with built in unions	1	Mini
6	MOC100102	Complete oil cooler pipe kit with built in unions	1	Clubman
6	C-AHT4	Competition braided hose kit with built in unions	1	Mini
6	C-AHT3	Competition braided hose kit with built in unions	1	Clubman
6	MOC1014	Oil cooler pipe kit with built in unions to fit TAM2097	1	12A engines 1992 on
6	MOC1015	Oil pipe kit with built in unions to fit LPX10026	1	12A engines 1992 on
7	21A1780	Original union for block, not required for hose kit	1	
8	AHA6423	Original union for filter, not required for hose kit	1	
9	21A1794	Original oil cooler brackets	2	
10	24A1918	Front panel reinforcement strip when cooler fitted	1	
11	24A1152	Grille distance pieces	12	NLA

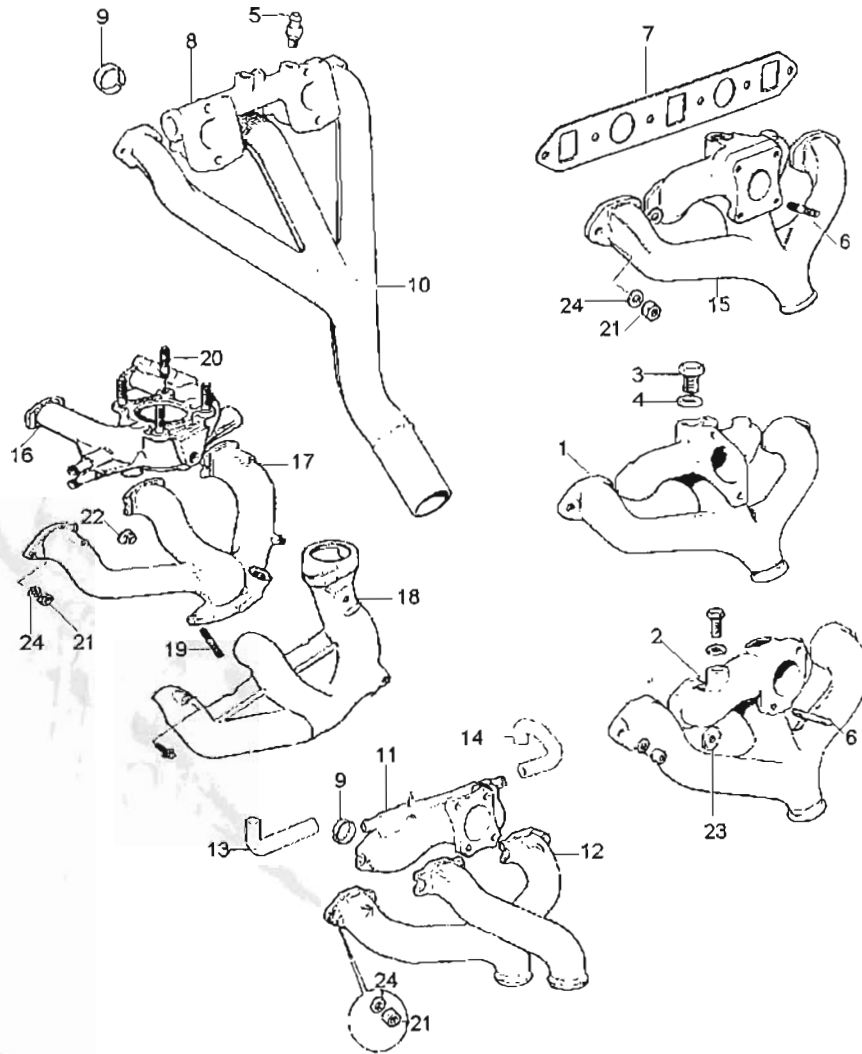
STANDARD FITMENT TO 1992, PRE FUEL INJECTED MINI (NOT LATER TYPE ENGINE BLOCK)

5	PBC10057	8 row oil cooler	1	Upto May 92 except TBI
6	PBP10019	Pipe cooler to filter	1	Upto May 92 except TBI
6	PBP10020	Cooler to block	1	Upto May 92 except TBI

Block thread changed when oil pipe with separate unions and oil seals was introduced, this is on 12A engine numbers with prefix F75/77 fuel injected, G03/4, HIF38 carburettor type.

For original oil pipe and hose at gauge end, see Speedo/Gauge page.

INLET AND EXHAUST MANIFOLDS



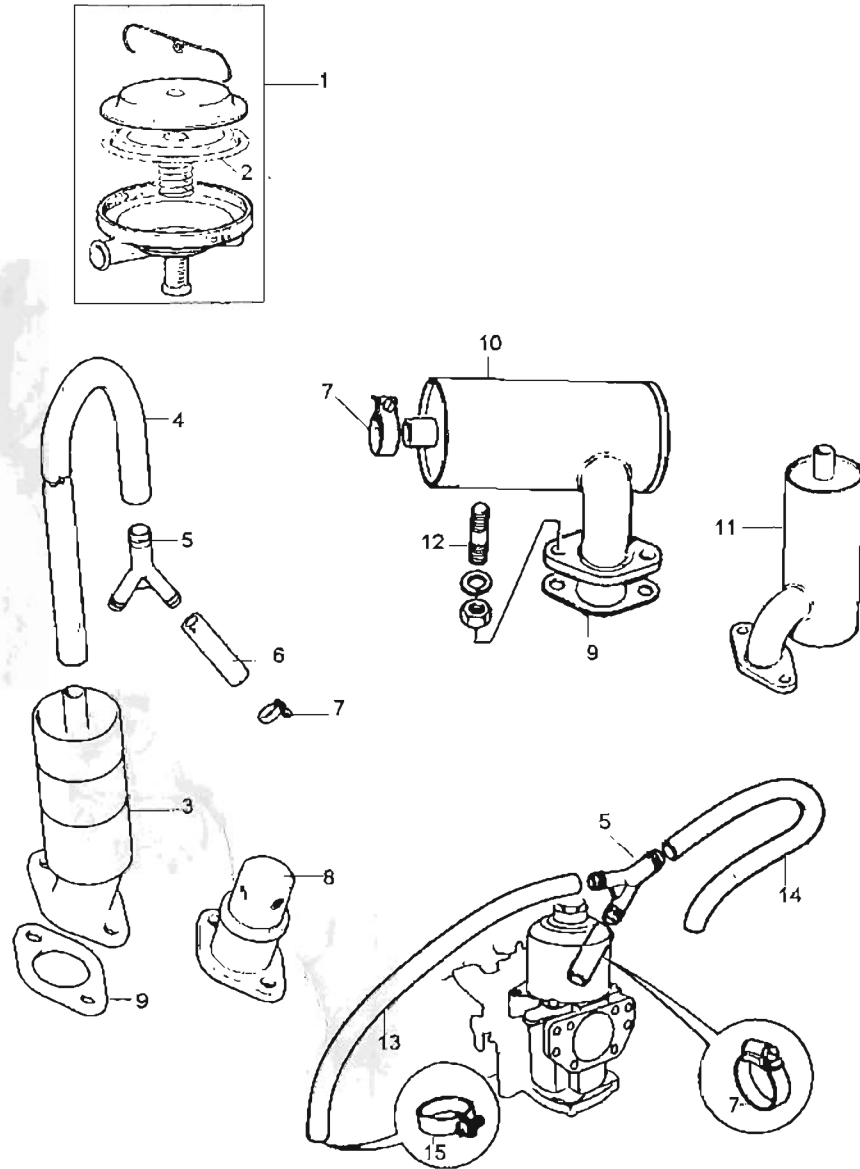
NO.	PART NO.	DESCRIPTION	QTY	REMARKS
1	12A1097	Inlet and exhaust manifold	1	Single HS2
2	12G3279	Inlet and exhaust manifold	1	Single HS4
3	ADP210	Blanking plug, (alternative headless plug is 88G619)	1	Fits all
4	1B3664	Washer for plug	1	
5	12H1405	Manifold union, plain.....	1	
5	13H6289	Non return valve union	1	NLA
6	CHS2613	Manifold to carburettor stud, HS2 single and twin	2	For 12A1097
6	CHS2614	Manifold to carburettor stud, twin HS2.....	4	For C-AEG488
6	CHS2514	Manifold to carburettor stud, HS4, HIF38/HIF44	1	For 12G3279
7	AJM601	Manifold gasket	1	
7	GUG704063MG	Manifold gasket, Turbo, was GUG4008MG.....	1	
7	C-AHT381	Large bore manifold gasket.....	1	Competition
8	AEG347	Original inlet manifold HS2 twin MKI/II.....	1	NLA
8	12G2463	Inlet manifold, twin HS2	1	Use C-AEG488
8	C-AEG489	Inlet manifold, twin HS4/6	1	
9	12G297	Twin inlet to cylinder head sleeve.....	2	
10	12G615	Exhaust manifold NLA.....	1	Use C-STR816
11	CAM6618	Inlet Manifold for HIF44.....	1	New Cooper
12	CAM6745	Exhaust manifold, HIF44	1	New Cooper
13	PEH10021	Hose - manifold outlet	1	
14	PEH10022	Hose inlet manifold to bottom hose	1	5/8" bore
15	12G3538	Inlet and exhaust manifold HIF38.....	1	
16	LKB10412	Inlet manifold TBI injection	1	Special order only
17	LKC10090	Exhaust manifold TBI injection	1	Special order only
18	LKK10025	Hot box for manifold	1	Special order only
19	TD108061A	Exhaust manifold stud	3	Special order only
20	TE108071	Inlet manifold stud to TBI.....	4	Special order only
21	S1K1177	Brass manifold nut, long	6	As required
21	GHF261	Brass manifold nut	6	As required
22	LYH10008	Latest type manifold nut	6	As required
23	12A1211	Large manifold washer.....	A/R	
24	GHF301	Washer, alternative to WA108051	A/R	

CLOSED CIRCUIT BREATHING COMPONENTS AND ANTI RUN ON VALVE

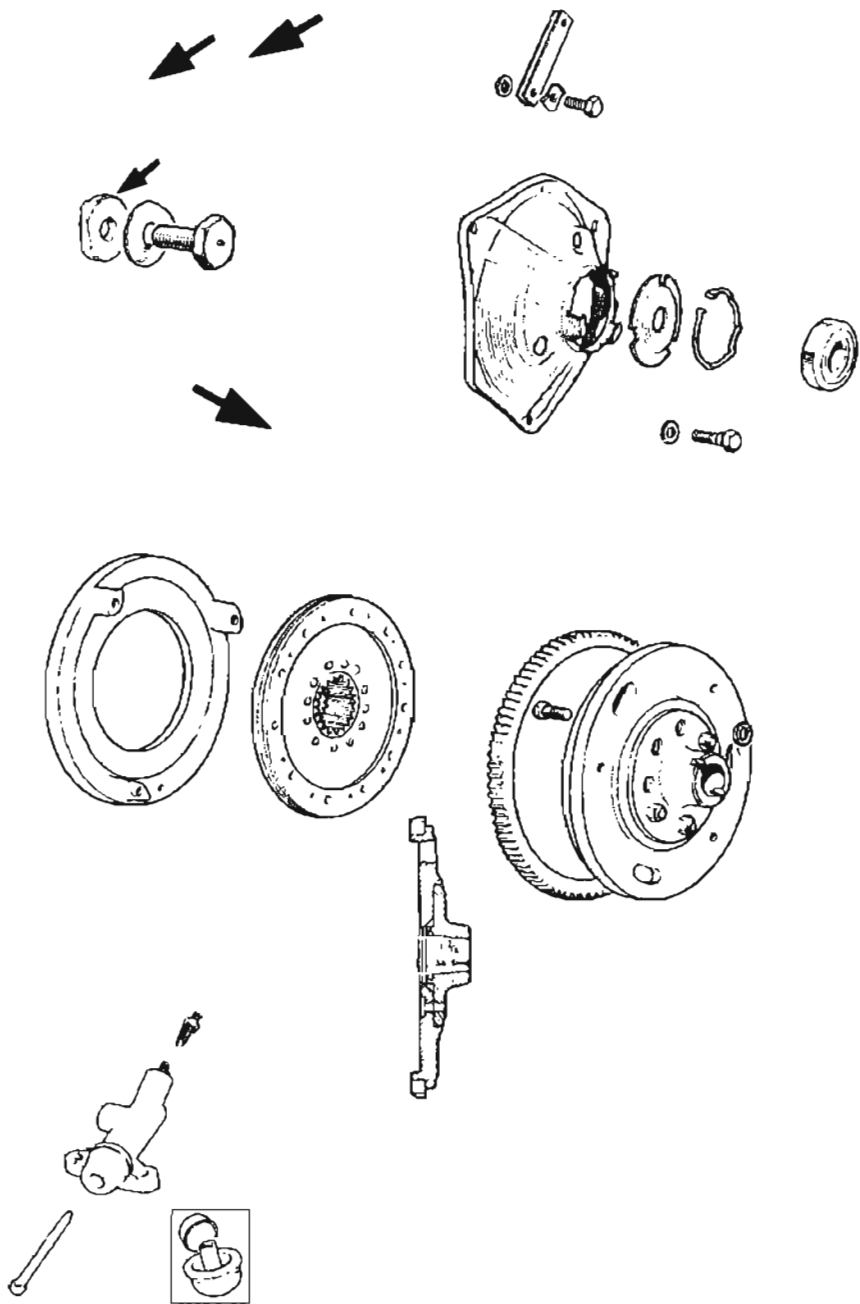
NO.	PART NO.	DESCRIPTION	QTY	REMARKS
1	13H5191	Emmission control valve, twin carburettors.....	1	Special order
2	27H7758	Diaphragm rubber for13H5191.....	1	
3	12G2619	Breather oil separator on clutch case.....	1	
4	BAU5065M	Breather hose per metre.....	1	
5	12G2134	'Y' piece to oil separator, when required.....	1	
6	LLH10056	Hose 'Y' piece to carburettor.....	1	
7	GHC405	Clip, alternative clip ACH5854.....	AVR	
8	12G1938	Plastic breather on clutch case.....	1	NLA
9	GUG705551GM	Gasket for all breather/oil separators, was LVL10001.....	1	
10	LLC10047	Oil separator on clutch case (to clear servo).....	1	1989 on
11	LLC10051	Oil separator on clutch case (automatic).....	1	Alternative
12	SH505061	Stud for oil separators (now a bolt).....	2	
13	12A1735	Breather hose (different size ends).....	1	
14	LLH10112	Breather hose.....	1	Alternative to BAU5065M
15	GHC507	Clip, hose to carburettor, alternative clip 3H2963.....	AVR	
	MAV10021	Anti run on valve (HIF44 carb vehicles).....	1	Cooper and SE

GENUINE UNIPART MANUAL POWER UNIT GASKET SETS (quick reference guide)

- GUG701149HS Head set except 1275, was GUG1071HS
- GUG700239HS Head set 1275, was GUG239HS pre 1990
- GUG1088HS Head set Cooper 'S', was AJM126B
- GUG701186HS Head set 1275 A plus F53/G01, Cooper HIF44 carb, was GUG1018HS
- GUG701142HS Head set turbo, was GUG1020HS
- GUG701186HS Head set G03/4/5 (1300), HIF38 carb, was GUG1089HS
- GUG701187HS Head set F75/76/77 (1300), TBI, was GUG1090HS
- GUG701152HS Head set 998, A plus was GUG1016HS
- GUG701614CS Block set 850/998/1098, was GUG1543CS
- GUG701615CS Block set 1275, was GUG1544CS
- GUG701608CS Block set 1275, A plus 1980 on, was GUG1510CS
- GUG701619CS Block set G03/4/5, F75/76/77, was GUG1560CS
- GUG701598CS Block set FF53/G01, was GUG1511CS
- GUG701589CS Block set, was GUG1509CS, A plus
- GUG701594CS Block set turbo, was GUG1512CS
- GUG708014TS Gearbox set, was GUG708002TS
- AJM804B Gearbox set including diff housing gaskets



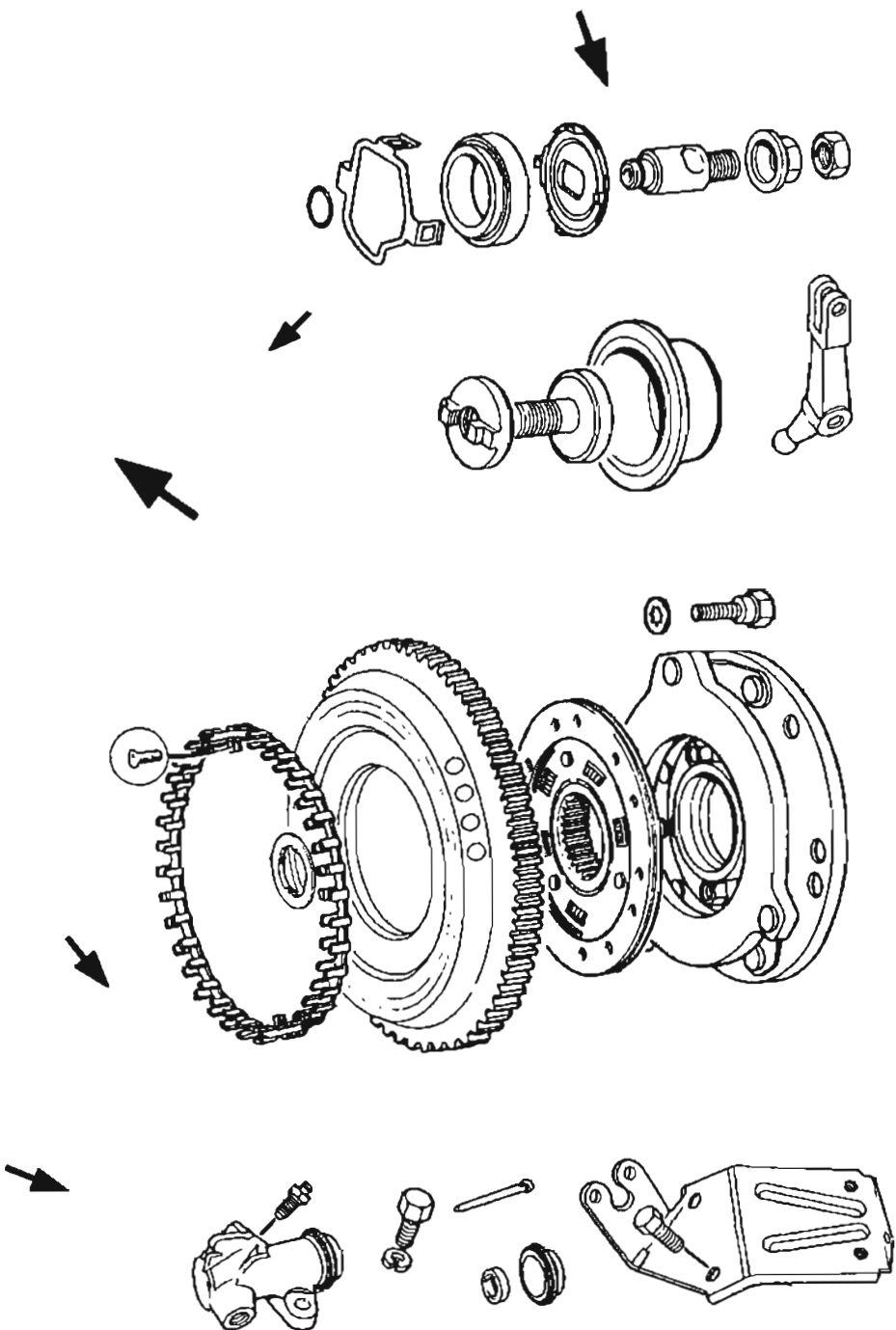
DIAPHRAGM CLUTCH AND SLAVE CYLINDER -1964 ON



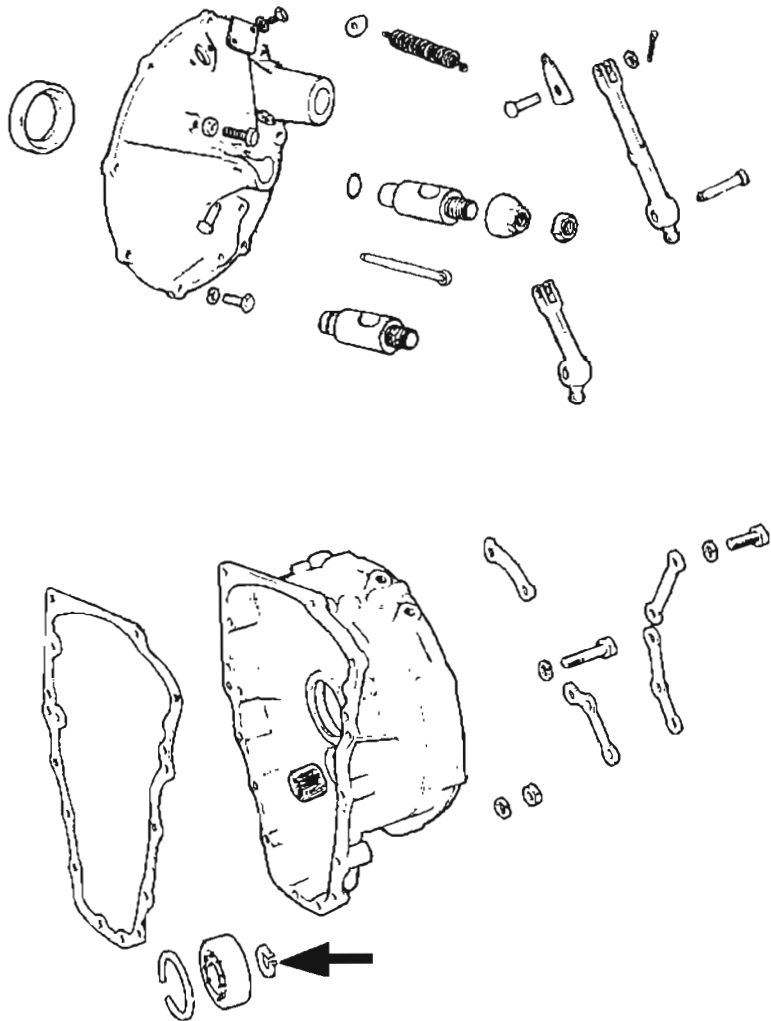
NO.	PART NO.	DESCRIPTION	QTY	REMARKS
1	22A598	Pressure plate	1	Except 'S'
1	22G270	Pressure plate use C-AHT230	1	Cooper 'S'/1300GT
2	GCP204	Clutch plate	1	
3	12G3014	Flywheel with ring gear, now one piece	1	Replaces all
3	C-AEG421	Flywheel with ring gear, lightened steel	1	Suitable for road
4	12G676	Ring gear, 0.500" wide	1	
4	22G2613	Ring gear, thin, automatic and C-AEG619 (0.343" wide).....	1	
5	88G508	Key - flywheel to crankshaft	1	
6	22A747	Flywheel bolt.....	1	
7	22A1155	Locktab	1	Also in kit 18G8086
8	2A3658	Driving strap	6	
9	2A3659	Strap to flywheel screw	3	
10	2A3512	Locktab	3	NLA, use 18G8086 kit
11	GHF302	Plain washer	3	
12	GCC101	Clutch diaphragm assembly, use GCC103.....	1	850cc
12	GCC102	Clutch diaphragm assembly, use GCC103.....	1	998cc
12	GCC103	Clutch diaphragm assembly.....	1	All 'S' and 1275cc
13	AAU7154	Release plate was 22G1152	1	1275cc
13	AAU7155	Release plate was 22G364	1	Except 1275cc
14	22A921	Release plate clip	1	
15	2A3657	Pressure plate to diaphragm bolt	3	
16	GRB201	Release bearing was 22A1156	1	
17	GRK4008	Slave cylinder repair kit	1	Was 8G8446
18	GSY110	Slave cylinder	1	From 1959 on
19	13H396	Push rod.....	1	
20	3H2428	Bleed nipple.....	1	
	18G8086	Clutch locktab kit.....	1	NOT SHOWN
	GCK100AF	Kit, includes clutch plate, diaphragm and release bearing .	1	

VERTO CLUTCH AND SLAVE CYLINDER 1982 ON

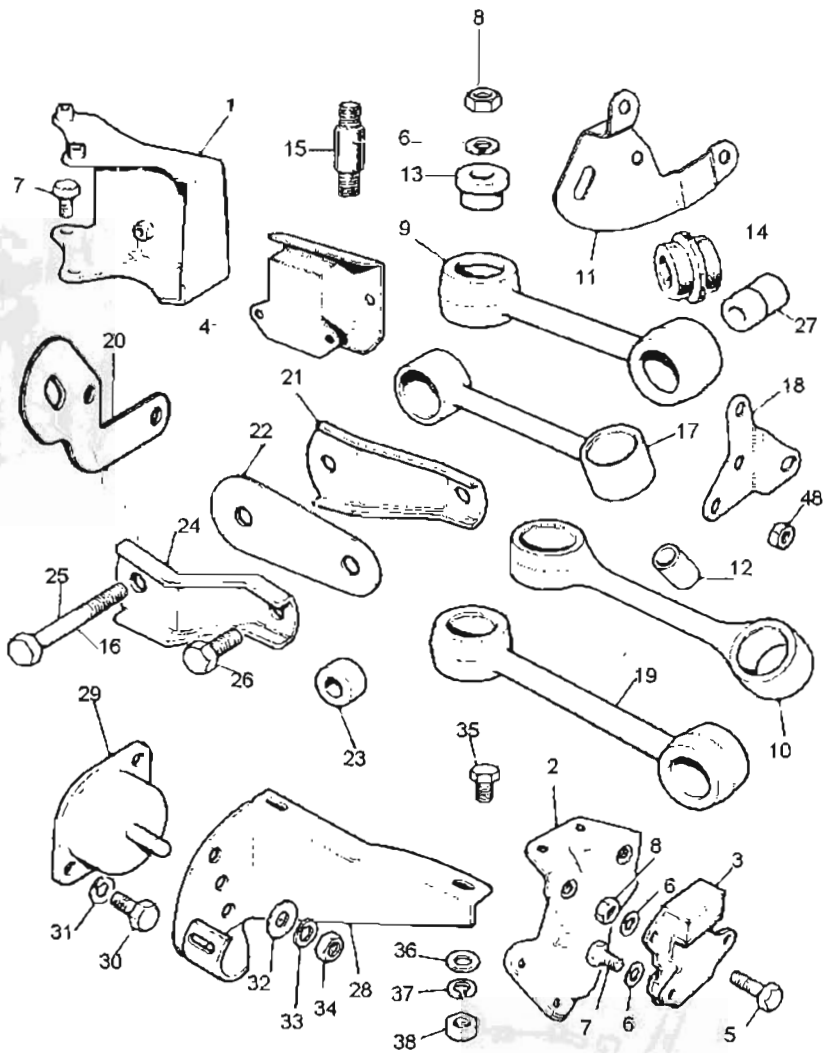
NO.	PART NO.	DESCRIPTION	QTY	REMARKS
1	GCU90107	Verto clutch assembly.....	1	Inertia starter
1	GCU90115AF	Verto clutch assembly.....	1	Pre-engaged starter
1	GCU90116AF	Verto clutch assembly.....	1	Turbo
1	GCU90119AF	Verto clutch assembly.....	1	1300cc carb type
1	GCU90120AF	Verto clutch assembly with reluctor ring.....	1	1300cc fuel injection
2	GCP271	Clutch plate 1982 to 1990.....	1	
2	GCP90821AF	Verto clutch plate.....	1	Turbo
2	GCP90311AF	Verto clutch plate.....	1	1000cc
2	GCP90832AF	Verto clutch plate.....	1	1300cc
3	GCC679	Verto diaphragm only.....	1	1000cc
4	C-AEG422	Steel lightened flywheel with ring gear.....	1	Tuning part
5	12G2445	Ring gear, 107 teeth.....	1	Inertia starter
5	PSF10003	Ring gear, 129 teeth, was DAM7487.....	1	Pre engaged starter
6	WAM1188	Reluctor ring for electronic management system (TBI).....	1	
7	SJ104121M	Screw for reluctor ring.....	1	
8	DAM2821	Verto clutch seal protector (plastic shield).....	1	
9	BAU2319	Diaphragm to pressure bolt.....	3	
10	BAU2320	Crinkle type washer.....	3	
11	DAM5923	Locking plate key.....	1	
12	DAM5922	Flywheel retaining lock bolt.....	1	
13	AHU1564	Thrust sleeve.....	1	
14	AAU2866	'O' ring.....	1	
15	GRB239	Clutch release bearing complete.....	1	
16	DAM5353	Clutch release plunger.....	1	
17	22A427	Stop plunger.....	1	
18	NT610041	Nut, to lock 22A427.....	1	
19	DAM5355	Clutch arm, short.....	1	
20	DAM5992	Mounting plate for slave cylinder.....	1	
21	GHF165	Bolt for plate to case.....	2	
22	GSY118	Slave cylinder.....	1	
23	3H2428	Bleed nipple.....	1	
24	GRK4001	Slave cylinder repair kit was BAU1791.....	1	
25	SH606080	Slave cylinder to plate bolt.....	2	
26	13H396	Slave cylinder push rod.....	1	



CLUTCH HOUSINGS



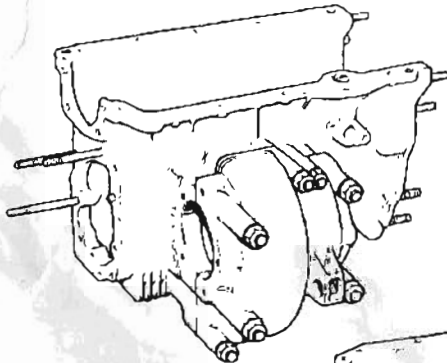
NO.	PART NO.	DESCRIPTION	QTY	REMARKS
1	22G1837	Flywheel housing	1	NLA, use FAM6257/9
2	DAM6074	Flywheel housing	1	Turbo only
1	DAM6259	Flywheel housing - use with AHU1707 or DAM3745	1	998cc,
1	TRD10015	Flywheel housing, was DAM6257, use with AHU1707	1	1300cc (Breather hole)
2	AHU1707	Idler bearing 1.375" 34.92mm O/D	1	.875" 22.22mm I/D
2	DAM3745	Idler bearing 1.375" 34.92mm O/D	1	.750" 19mm I/D
2	13H7848	Idler bearing 1.065" 27.05mm O/D	1	4 synchro early
2	88G302	Idler bearing 1.004" 25.5mm O/D	1	3 synchro
3	AAU8424	1st motion shaft nose bearing, was 13H6080	1	
3	ADU6033	1st motion shaft nose bearing 1.692" 42.98mm O/D	1	Turbo only
4	2A3643	Circlip for AAU8424 in flywheel housing	1	
4	ADU7194	Circlip for ADU6033 in flywheel housing	1	Turbo only
5	CCN110	Circlip for holding 1st motion shaft bearing	1	
6	13H2934	Clutch oil seal (DAM2821 seal protector available)	1	
6	LVF10005	Clutch oil seal (reluctor type flywheel)	1	Injection only
7	22A2237	Flywheel casing gasket (non genuine)	1	
7	GUG705563GM	Flywheel casing gasket (genuine)	1	
8	BH605141	Clutch case screw, long was BH605141	3	DAM7758 bolt, alternative
9	GHF332	Clutch case washer, was LWZ305	3	
10	GHF103	Screw, short was SH605081	3	DAM7753 bolt, alternative
11	22A1762	Locktab	1	Part of 18G8086
12	22A1761	Locktab	1	Part of 18G8086
13	2A3521	Locktab	1	Part of 18G8086
14	FNZ505	Nut	9	
15	GHF332	Washer was LWZ305	4	
16	22A1241	Locktab	1	Part of 18G8086
17	88G300	Cover, with timing hole	1	NLA
17	AHU1106	Cover - Verto with no timing hole	1	
18	DAM7755	Bolt - clutch cover	8	
19	2A3635	Cover for timing hole	1	
20	SH604041	Screw for timing hole cover	2	
21	GHF331	Washer	2	
22	22A180	Plunger, press fit for release bearing GRB238	1	
22	DAM1955	Plunger, which takes GRB238 and DAM2413	1	Release bearing fits loose on plunger
23	DAM2413	Clip, to hold GRB238 to DAM1955	1	1982 on
24	DAM5353	Plunger verto clutch	1	
25	22A427	Plunger stop	1	
26	NT610041	Nut, was FNZ210	1	
27	22A2204	Clutch arm, was 2A3518, pre Verto	1	
28	DAM5355	Clutch arm short verto only	1	1982 on
29	CLZ628	Clevis pin, lever to case	1	
30	GHF302	Washer, was PWZ106	1	
31	GHF101	Adjusting screw, was HZS409	1	
32	FNZ604	Locking nut	1	
33	CLZ518	Clevis pin, lever to push rod	1	
34	2A3601	Spring anchor	1	
35	GHF301	Washer was FWZ105	1	
36	1G5999	Clutch spring	1	
37	2A3600	Anchor spring end	1	Pre Verto
38	13H396	Slave cylinder push rod	1	All Minis



ENGINE MOUNTINGS AND BRACKETS

NO.	PART NO.	DESCRIPTION	QTY	REMARKS
1	12A361	Engine mounting bracket L/H	1	Manual
2	22A30	Engine mounting bracket up to 12A361	1	Manual except Cooper
2	22A1274	Engine mounting bracket L/H	1	Automatic
3	21A1902	Engine mounting	2	Not automatic
3	21A1902ST	Engine mounting with captive nuts	2	
4	22A1018	Engine mounting L/H	1	Automatic only
4	22A917	Engine mounting R/H	1	Automatic only
5	SH605051	Bolt for engine mount to radiator bracket	3	
5	GHF163	UNC thread bolt, mount to clutch case	3	
6	GHF332	Spring washer	A/R	
7	GHF120	Engine mounting to subframe bolt	4	2 per mounting
8	GHF201	Nut for mounting to subframe bolt	4	Not required on 21A1902ST
9	21A1109	Engine to bulkhead upper steady bar	1	
9	ERA1020	Adjustable upper engine steady bar	1	Turbo
9	21A1817	Longer upper engine steady bar, 1300cc 1990 on	1	All automatics
10	21A2569	R/H Steady bar lower, part of kit MSSK	1	Gearbox to rear
11	C-STR401	Bracket for 21A2569 to gearbox, part of kit MSSK	1	Was 21A2763
12	31G1085	Distance piece tube for CRC5329 (on lower brackets)	2	One each end
13	CRC5329	Rubber bush	4	2 Each end
14	2A5875	One piece rubber bush up to 1962	1	Engine end only
15	2A5873	Shouldered stud for master cylinder end	1	
16	BH605151	Bulk head mounting bolt (alternative 2A5873)	1	Use with 21A1108 spacer
17	21A2787	L/H steady rod lower, part of kit MSSK1	1	
18	21A2785	Bracket for 21A2787 to gearbox, part of kit MSSK1	1	Gearbox to rear
19	FAM2758	R/H steady rod lower to front	1	Late type subframe
20	NAM3760	Bracket for FAM2758 to gearbox	1	with bracket for rod
19	KKH10013	R/H steady rod lower to front (.50" shorter than FAM2758)	1	1300cc 1990 on
20	KKU10080	Bracket for KKH10013 rod (heavy duty NAM3760)	1	1300cc 1990 on
21	2A5869	Bracket for engine steady rod	1	Up to 1970
22	21A1107	Plate against engine block	1	Deleted for 21A2387
23	21A1106	Spacer	1	Deleted for 21A2387
24	21A2387	Bracket for engine steady rod 1971 on	1	After 21A1107 deleted
25	BH605151	Long bolt for 21A1109 to engine	1	
26	GHF103	Short bolt when 21A1106/7 spacer fitted 1" long	1	
26	SH605051	Short bolt when 21A1106/7 spacers deleted	1	For 21A2387
27	21A1108	Spacer for CRC5329 bushes (upper bar)	2	
	SC2	2 Plastic cone inserts to replace 21A1108	1 pr	Alternative
28	21A745	Remote control rear bracket	1	
29	21A956	Remote control rear mounting	1	
30	GHF163	Bolt for mounting to housing	2	
31	GHF302	Washer for mounting to bracket	2	
32	GHF302	Plain washer	1	
33	GHF333	Spring washer	1	
34	GHF202	Nut	1	
35	GHF120	Bracket to body bolt	3	
36	GHF301	Bracket to body bolt plain washer	3	
37	GHF332	Spring washer	3	
38	GHF322	Nut	3	
	MSSK	R/H lower steady bar kit, gearbox back to subframe	1	
	MSSK1	L/H lower steady bar kit, gearbox back to subframe	1	

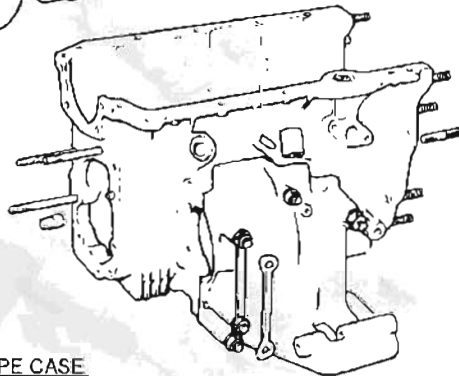
MAGIC WAND TYPE CASE
VARIOUS TO 1967



ROD CHANGE CASE
ALL MINIS FROM 1973



REMOTE TYPE CASE
ALL COOPER AND 'S', 998CC MINI
FROM 1967, 850CC FROM 1968



GEARBOX CASING AND PART NUMBERS

<u>CASING No</u>	<u>PART No.</u>	<u>DESCRIPTION</u>	
22A104		850cc Cone synchromesh, magic wand	NLA
22A363	22A361	850cc Cone synchromesh, magic wand	NLA
22G68		850/998cc Mini 997/998cc Cooper, 'A' and 'B' type remote or magic wand	NLA
22A1288		850/998cc Mini 'B' type magic wand	CWE
22G382		850/998cc Mini 'B' type magic wand	CWE
22G190	22G188	970/1071cc Cooper 'S' 'A' and 'B' type gears remote type	NLA
22G333	22G331	970/1275cc Cooper 'S' 'B' type	NLA
22A1228	22A1294	Non 'S' 'B' type remote type	NLA
22A1522	22A1529	Last 'B' type for Mini and 'S' 3 synchromesh remote type	CWE
22G1128	22G1338	All 4 synchro with remote	CWE
22G1832	22G2382	Rod change with small idler bearing	NLA
DAM4818	DAM3755	Rod change, A plus with 4 bolt bearing retainer	NLA
DAM2886	BHM5045	Rod change, A plus 4 bolt bearing retainer and stronger idler housing	NLA
DAM5626	BHM5093	A plus with 3 bolt bearing retainer	NLA

3 SYNCHROMESH

The original Minis gears were known as cone type synchromesh, which had a brass baulk ring fitted to the gear. These were replaced in October 1962 by the conventional type of baulk ring as used today and became known as 'A' type gears. 'A' type gears were used up until September 1964 when 'B' type gears were introduced, which had to be fitted in complete sets if interchanging with exception to the Cooper 'S', which had a 22G204 laygear manufactured to accept 'B' type 1st and reverse gears 22A1021 and 22G202 respectively.

'A' type gears have a much steeper inclined helical cut which is very noticeable when placed side by side. The 'A' type 2nd and 3rd gear both run on bronze bushes whereas 'B' type run on 26 small rollers per gear. The 'A' type 3rd motion shaft (main shaft) has a smaller nose to accept the 1st motion shaft which has a fixed sleeve bearing which is obsolete and not replaceable. The 'B' type 1st motion shaft had a free fitting needle roller bearing, which slides in and out freely. Apart from the 22G204 laygear all 'A' type laygears had a circlip recess 1/10" from the ends to hold the layshaft bearings in. All 'B' type laygears plus 22G204 had the circlip recess 1" in to stop the bearings moving into the gear, but easily sliding in or out when the gear is not fitted.

4 SYNCHROMESH

At the end of 1968 the 4 synchromesh gearbox was introduced, which had all different gears and ratios. The bearing housing at the clutch end of the gearbox case, which housed the 1st motion shaft roller bearing was machined THINNER on the inside of the gearbox case to help accommodate the extra 1st gear.

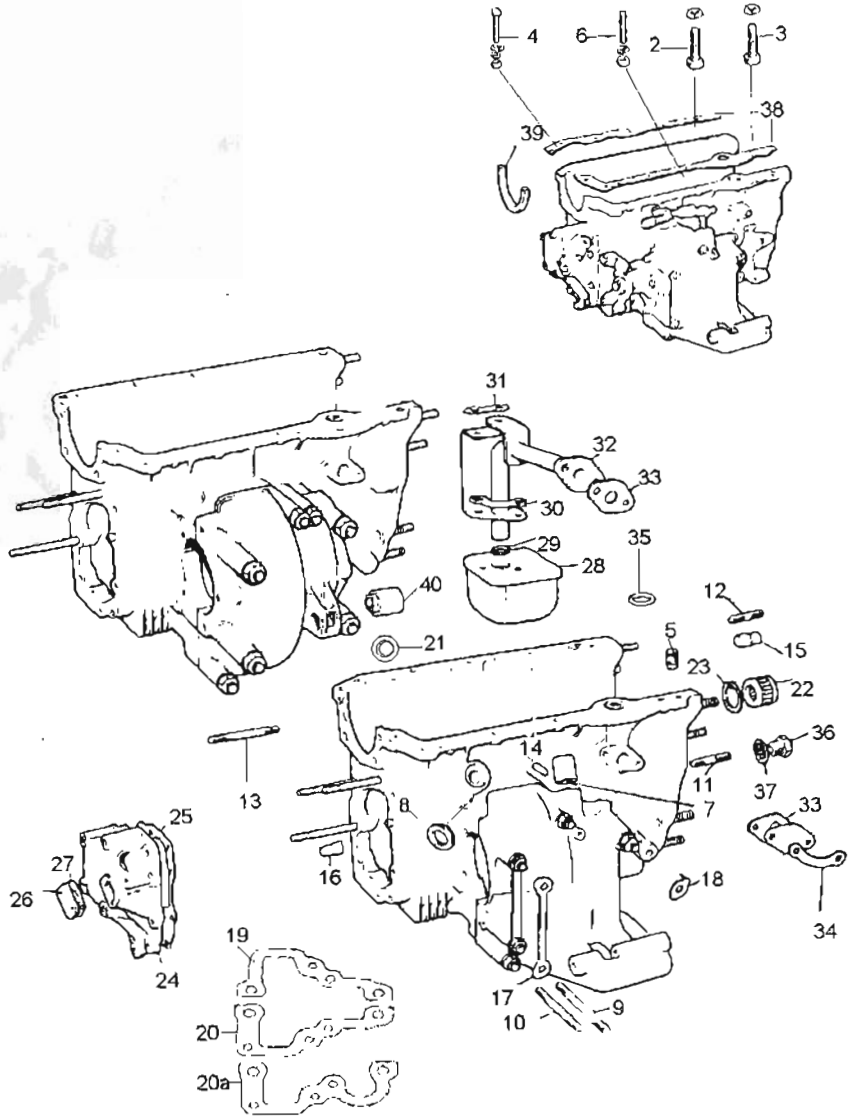
ROD CHANGE 4 SYNCHROMESH

Beginning of 1973 the remote gear lever housing extensions were replaced by two external rods, hence the name rod change gearbox. Internally the three selector shafts were replaced by one.

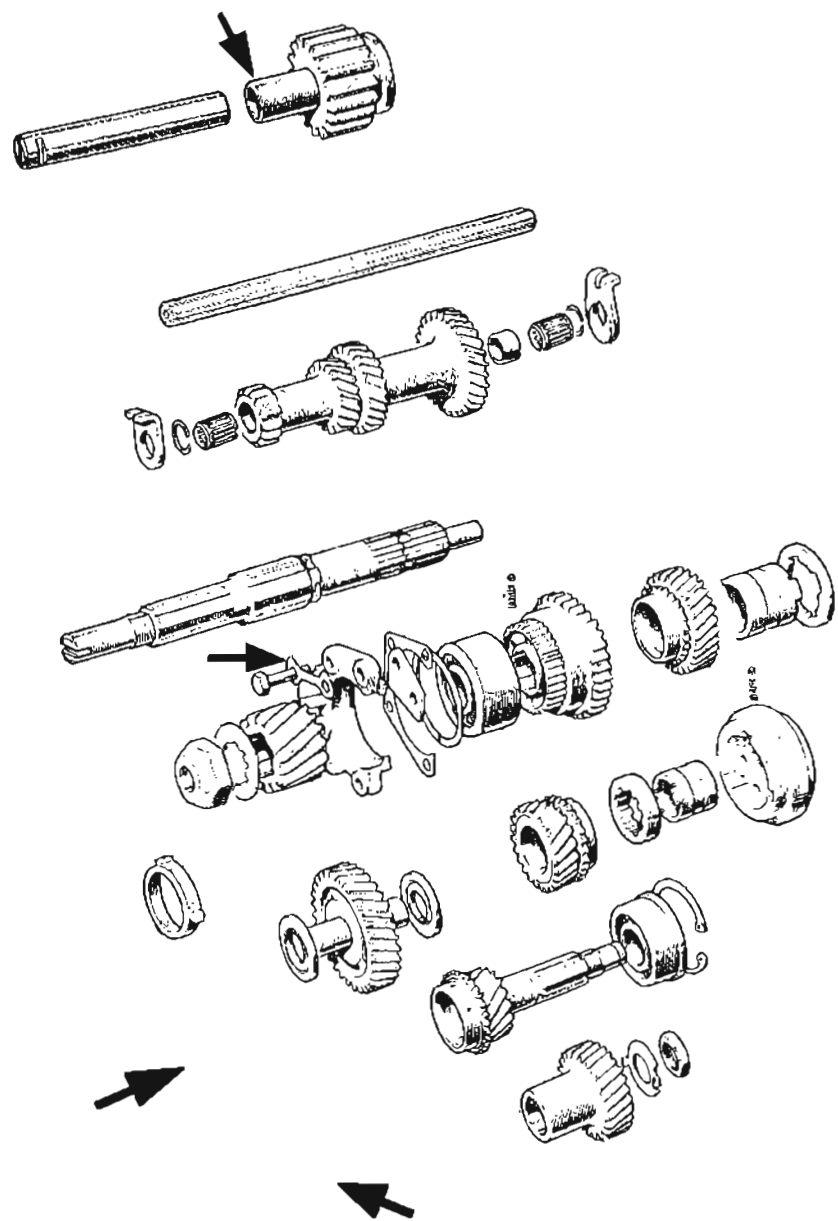
About 1982 'A' plus gears started appearing, which were identified by having a groove mark in the middle of the teeth on 2nd/3rd gear, 1st motion and 4th gear on the laygear. These were cut at a different tooth angle making the gears (less noisy) with different ratios again.

About 1984 the centre main double roller retainer was changed from 4 holes to 3 holes as the case tended to crack where one of the locating holes for the retainer was drilled.

GEARBOX TRANSMISSION CASE PARTS



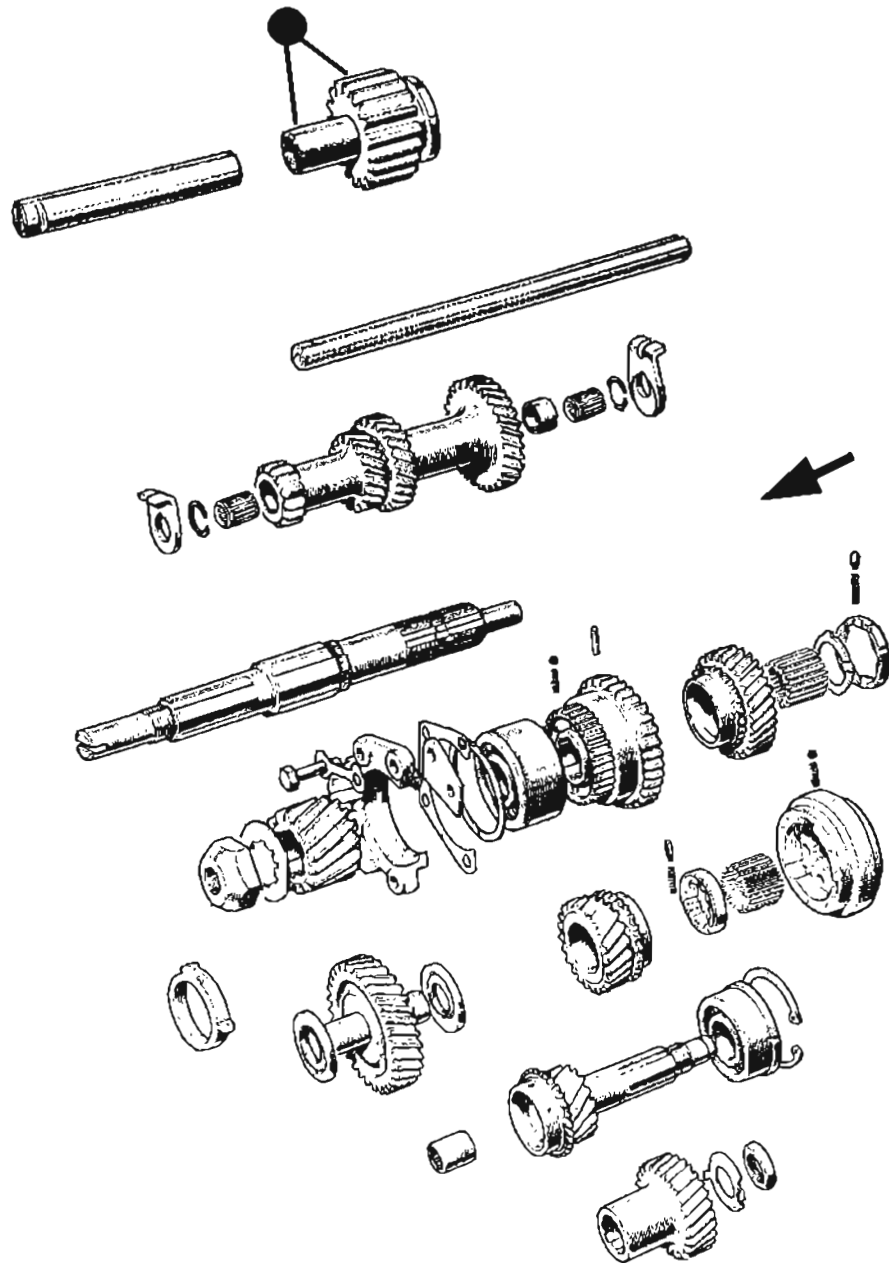
NO.	PART NO.	DESCRIPTION	QTY	REMARKS
1	18G8085	Gearbox lock tab kit	1	Not shown
2	GHF102	Gearbox case, front block to gearbox bolt	5	1 also on 22H983
3	GHF101	Gearbox case, rear block to gearbox set screw	4	1 also on front
4	BH604140	Bolt for dowel on front	1	
5	22H983	Case to block rear dowel	1	
6	FHS2409	Stud, rear stud for thin flange block	2	
6	FHS2410	Stud, rear stud for thick flange block	2	
7	2A3502	Gear change linkage bush	2	
8	13H577	Gear change oil seal	1	
9	53K266	Stud for diff housing long 4.5", 2 only for rod change	4	NLA Use TAM1617
10	53K1471	Stud for diff housing, short 3.5" x 250" thread	3	NLA Use CHS522
10	22G1834	Stud for diff housing, short 3" x .375" thread	2	Rod change only
11	22A152	Long stud for flywheel housing, alternative DAM7759 bolt	6	DAM7759 bolt
12	53K547	Short stud for flywheel housing	3	DAM7756 bolt
13	53K1474	Stud for speedo drive housing cover	3	DAM7761 bolt
14	22A153	Dowel for diff housing	2	
15	22A97	Dowel for flywheel housing	2	
16	22A13	Dowel for speedo drive housing	2	
17	22A74	Diff housing locktab, pre rod (Remote type only)	1	Part of 18G8085
17	42H500	Diff housing locktab, rod change	1	Part of 18G8085
18	22A251	Diff housing locktab	1	Part of 18G8085
19	2A3505	Upper gasket for diff housing	1	Rover now use GCH111
20	2A3506	Lower gasket for diff housing	1	RTV sealant in place
20a	22G1836	Lower gasket for diff housing	1	of these gaskets
21	AHU1672	Gearchange oil seal was 13H6862	1	Pre-rod change
22	88G302	Idler gear bearing with 1.004 25.5mm O/D	1	Rod change
22	13H7848	Idler gear bearing with 1.065 27.05mm O/D	1	Rod change
22	DAM3745	A plus idler gear bearing 1.375 34.92mm O/D	1	3 synchro
22	TUK100320	A plus idler gear bearing 1.375 34.92mm O/D	1	4 synchro
		was AHU1707	1	.750" 19mm I/D
23	22G1141	Clip for 3 synchro case where 88G302 fitted	1	.875" 22.225mm I/D
23	51k3565	Circlip 4 synchro, where 13H7848 fitted	1	NLA
24	DAM5219	Speedo drive housing cover, was 88G207	1	
25	22A541B	Gasket for housing, non genuine	1	
25	GUG7055569GM	Gasket for housing, genuine	1	
26	2A3626	Speedo drive case plate	1	
27	GUG7055564GM	Gasket for speedo drive case plate, was 2A3627	1	
28	22A335	Oil strainer	1	
29	22A341	Suction pipe sealing ring	1	
30	22A388	Lock tab	1	Part of 18G8085
31	22A1365	Lock tab	1	Part of 18G8085
32	22A377	Oil suction pipe 850cc	1	
32	22G1150	Oil suction pipe 998cc to 1275cc	1	
33	GUG705556GM	Pipe to case and flange gasket, was 22A542B	2	
34	2k4874	Lock tab	1	
35	2A3606	Oil suction sealing ring - case to block	1	
36	DAM7355	Magnetic drain plug	1	
37	AED172	Washer for drain plug	1	
38	GUG703038SG	Gearbox to engine gasket, was AJM502, GUG3007SG	1	
39	AHU1959	Seal (half moon) was 12G2947	1	
40	13H7286	Bush for gear lever steady bar	1	



'A' TYPE GEARS

NO.	PART NO.	DESCRIPTION	QTY	REMARKS
1	22A377	Reverse gear	1	CWE
2	88G209	Reverse gear shaft	1	
3	2A3475	Reverse gear bush	1	NLA
4	22A1371	Layshaft	1	
5	22G76	Laygear for 997cc to 9FSA 28575	1	
5	22G197	Laygear for 997cc to 9FSA 28576 on	1	997cc
5	22G204	Laygear but uses B type, 1st & reverse 22A1021/22G202	1	All Cooper and 'S'
5	22A381	Laygear	1	850cc
6	88G396	Layshaft bearings	2	
7	22G277	Spacer sleeve for bearing	1	NLA
8	22G278	Internal circlips for laygear	2	
9	88G324	Laygear small thrust washer	1	
10	88G325	Laygear large thrust washer 123°-124°	1	CWE
10	88G326	Laygear large thrust washer 125°-126°	1	CWE
10	88G327	Laygear large thrust washer 127°-128°	1	NLA
11	22A416	1st motion shaft to 9F/SA 28575	1	997 only
11	22A588	1st motion shaft (19 teeth)	1	850cc
11	22A592	1st motion shaft (20 teeth) for 22G204 laygear	1	Cooper 'S'
12	2A3709	1st motion ball bearing	1	
13	2A3711	Clip for 1st motion ball bearing	1	
14	22G70	3rd motion shaft (mainshaft)	1	CWE
15	2A3712	Mainshaft double ball bearing, very early pre 1962	1	62mm diameter
15	AAU1365	Mainshaft double ball bearing	1	65mm diameter
16	ADU4992	Spring ring for double ball bearing was 22G721	1	
17	22G440	1st/2nd synchronizer gear hub	1	
18	BLS107	Synchronizer ball	3	Per hub
19	22A367	Synchronizer spring	3	Per hub
20	22G2033	Baulk ring	3	
21	22G194	2nd gear (28 teeth)	1	Fits 22G204 laygear
21	22A582	2nd gear (28 teeth)	1	850cc/997cc
22	2A3298	Bush for 2nd gear	1	
23	22A415	3rd gear to 9F/SA 28575	1	997cc
23	22G195	3rd gear (24 teeth) 997/998cc 9F/SA 28576 on	1	All 'S' 22G204 laygear
23	22A583	3rd gear (23 teeth)	1	850cc
24	2A3290	Bush for 3rd gear	1	
25	22G97	3rd/4th synchronizer assembly, was 22G358	1	
26	2A3545	1st motion drive gear, use 22G849 with spacer C-STR239	1	
27	DAM4000	Locktab	1	
28	2A3548	Nut for 1st motion shaft	1	
29	22G943	Idler gear, shaft size .750" (19mm)	1	Was equal shaft length
30	22A1545	Idler gear thrust washer .130-131" (3.30-3.32mm)	A/R	Green coding
30	22A1546	Idler gear thrust washer .132-133" (3.35-3.37mm)	A/R	Black coding
30	22A1547	Idler gear thrust washer .134-135" (3.40-3.42mm)	A/R	White coding
30	22A1548	Idler gear thrust washer .136-137" (3.45-3.47mm)	A/R	Blue coding
30	22A1549	Idler gear thrust washer .138-139" (3.50-3.53mm)	A/R	Red coding
31	22A399	Final drive pinion	1	3.76 ratio
32	DAM6140	Locktab	1	
33	22G48	Mainshaft nut	1	
34	DAM2377	Locktab	2	

Many of the gears are no longer available, part number for reference only



'B' TYPE 3 SYNCHRO MESH GEARS

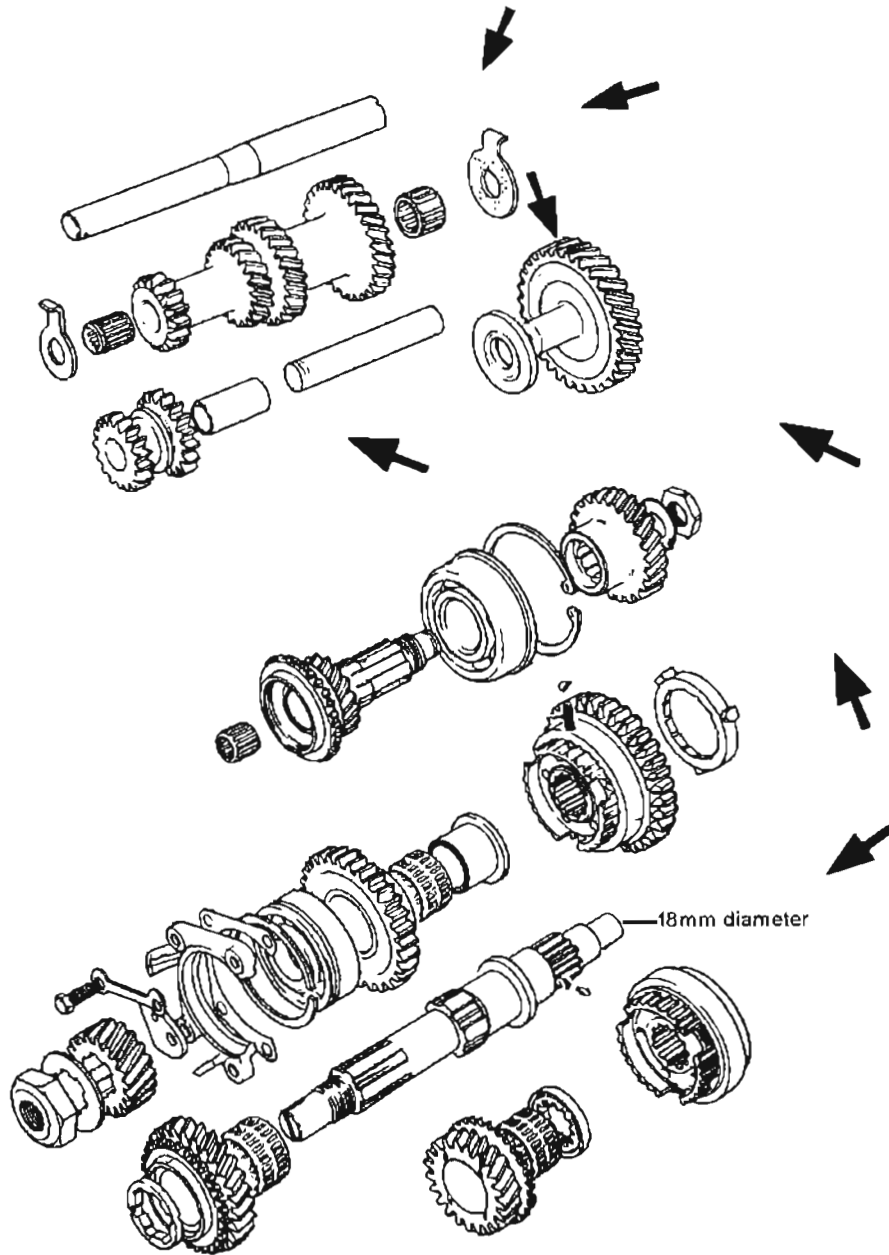
NO.	PART NO.	DESCRIPTION	QTY	REMARKS	
1	22G202	Reverse gear	1		
2	88G209	Reverse gear shaft	1		
3	2A3475	Reverse gear bush	1	NLA	
4	22A1371	Layshaft (Hi-spec alternative C-22A1371)	1	Use C-22A1371	
5	88G396	Layshaft needle roller bearings	2		
6	88G324	Laygear thrust washer small	1		
7	88G325	Laygear thrust large .123"-.124"	1		
7	88G326	Laygear thrust washer large .125"-.126"	1		
8	22G277	Laygear bearing distance piece	1		
9	22G278	Laygear bearing circlips	2		
10	22G392	Mainshaft	1		
11	AAU1365	Double ball bearing	1		
12	22A522	Bearing retainer takes DAM2377	1		
13	2A3581	Locating plate	1		
14	2A3714	Locating plate shim .003" thou	A/R		
14	2A3715	Locating plate shim .010" thou	A/R		
15	ADU4992	Bearing spring clip was 22G72	1		
16	22A1021	1st/2nd gear outer track (32 teeth)	1		
17	22G89	Plunger for 1st/2nd synchro hub	1		
18	22A367	Synchroniser spring	6	3 per hub	
19	BLS107	Synchroniser ball	6	3 per hub	
20	22A980	2nd gear (28 teeth)	A B	1	CWE, fitted all
21	22A981	3rd gear was 22G235 (23 teeth)	B	1	CWE, 850cc and 998cc
21	22A983	3rd gear was 22A557 (24 teeth)	A	1	CWE, 'S' only
22	22G231	Laygear 28 24.19.13. teeth	B	1	CWE, 850cc and 998cc
22	22G1100	Laygear was 22G232 (26/23/19/13 teeth)	A	1	1275 'S'
23	22A979	1st motion shaft was 22G325 (19 teeth)	B	1	CWE, 850cc and 998cc
23	22A982	1st motion shaft was 22G322 (20 teeth)	A	NLA	Some Cooper and 'S'
24	22G149	2nd/3rd gear needle rollers	26	Per gear	
25	22G157	Retaining collar for 2nd/3rd gear	4		
26	22G186	Locking washer for 2nd gear	1		
27	22A495	Locking peg for 2nd/3rd gear	A/R		
28	22G154	Locking peg spring for 2nd/3rd gear	A/R		
29	22G196	Locking washer for 3rd gear	1		
30	22G410	3rd/4th synchroniser hub	1		
31	2A3709	1st motion ball bearing	1		
32	2A3711	Clip for 1st motion ball bearing	1		
33	CHM172	1st motion needle roller	1		
34	22G2033	Baulk ring	3		
35	2A3545	1st motion drive gear, use 22G849 and C-STR239 spacer	1		
36	DAM4000	Lock tab	1		
37	2A3548	1st motion shaft locking nut	1		
38	22A399	Final drive pinion 3.7	1		
38	22A411	Final drive pinion 3.4	1	1275cc late 998cc	
39	DAM6140	Pinion locktab	1		
40	22G48	Mainshaft locking nut	1		
41	22G943	Idler gear	1		

Gears marked A and B are identified as compatible in sets.

Use laygear as identification for gear fitment as some late Coopers had 22G1100 fitted.

4 SYNCHRO GEARS UP TO 1979 WITH 14MM NOSE MAINSHAFT

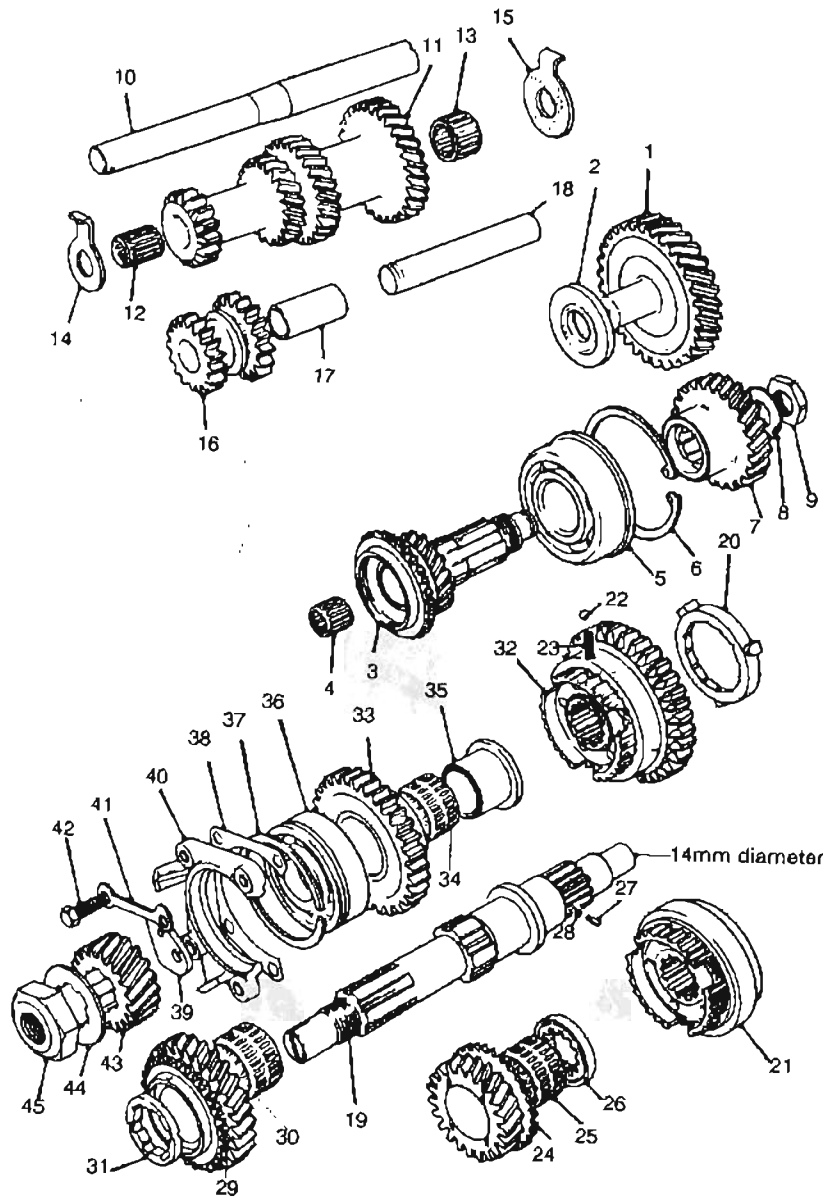
850cc, 1000cc, 1275GT AND 'S', CLUBMAN AND ESTATE



NO.	PART NO.	DESCRIPTION	QTY	REMARKS
1	22G943	Gear idler, 31 teeth shaft diameter .750" (19.05mm)	1	
2	22A1545	Thrust washer idler gear .130-131" (3.30-3.32mm)	2	Green code
2	22A1546	Thrust washer idler gear .132-133" (3.35-3.37mm)	2	Black code
2	22A1547	Thrust washer idler gear .134-135" (3.40-3.42mm)	2	White code
2	22A1548	Thrust washer idler gear .136-137" (3.45-3.47mm)	2	Blue code
2	22A1549	Thrust washer idler gear .138-139" (3.50-3.53mm)	2	Red code
3	22G1093	1st motion shaft 17 teeth	1	Except 1275GT/'S'
3	22G1371	1st motion shaft 18 teeth	1	1275GT/'S'
4	CHM172	Roller needle bearing	1	
5	ADU7619	1st motion ball bearing	1	
6	22G850	Circlip bearing	1	
6	22G851	Circlip bearing	1	
7	22G849	1st motion gear shaft drive 24 teeth	1	
8	DAM4000	Washer locktab	1	
9	2A3548	Nut	1	
10	22G931	Layshaft	1	
11	22G927	Laygear 15,20, 25,29 teeth	1	Except 1275GT/'S'
11	22G1040	Laygear 15,20, 25,29, smaller diameter 29 teeth area	1	1275GT/'S'
12	88G396	Needle roller bearing	1	
13	CHM141	Needle roller bearing, was 22G855	1 pr	
14	22G856	Thrust washer laygear .123-124" (3.12-3.14mm)	1	
14	22G857	Thrust washer laygear .125-126" (3.17-3.20mm)	1	
14	22G858	Thrust washer laygear .127-128" (3.22-3.25mm)	1	
14	22G859	Thrust washer laygear .130-131" (3.30-3.32mm)	1	
15	22G860	Thrust washer laygear, large	1	
16	22G1034	Reverse idler gear	1	Remote change
16	22G1852	Reverse idler gear	1	Rod change
17	22G825	Bush (single one piece bush)	1	
18	DAM8038	Reverse idler gear shaft	1	
19	22G833	3rd motion shaft with small end nose .550" (13.97mm)	1	
20	22G2033	Baulk ring	4	
21	DAM7456	3rd and 4th synchronizer hub was 22G2264	1	
22	BLS107	Ball for synchronizer hub (3 per hub)	6	
23	22G2262	Spring for synchronizer hub (3 per hub)	6	
24	22G1095	3rd speed gear (21 teeth)	1	21 teeth
25	AAU1816	3rd gear roller needle bearing was 88G496	1	
26	22G947	Thrust washer for 2nd gear	1	
27	22G843	Peg	3	2 on 2nd gear
2	22G154	Spring	2	
29	22G1094	2nd speed gear 26 teeth	1	
30	AAU1816	Roller needle bearing was 88G495	1	
31	22G839	Thrust washer	1	
32	DAM7455	1st and 2nd synchronizer hub was 22G2263	1	

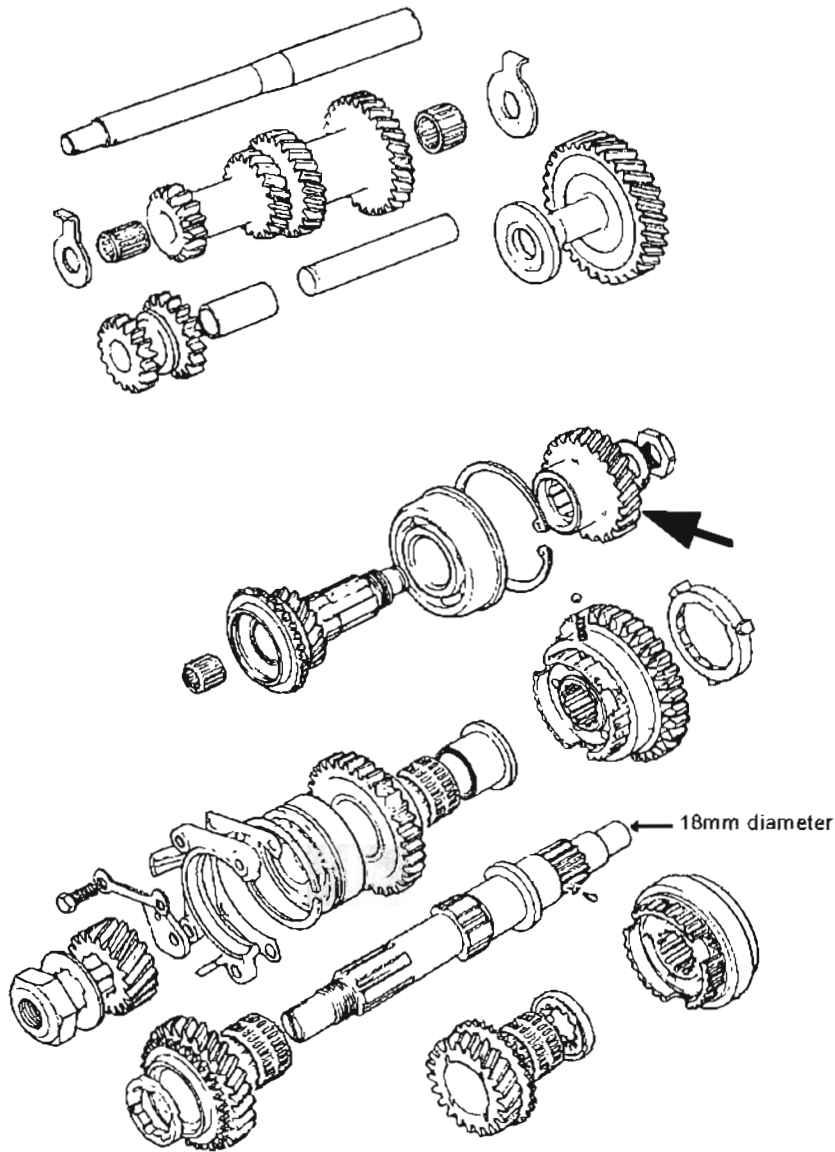
4 SYNCHRO GEARS UP TO 1979 WITH 14MM NOSE MAINSHAFT

850cc, 1000cc, 1275GT AND 'S', CLUBMAN AND ESTATE



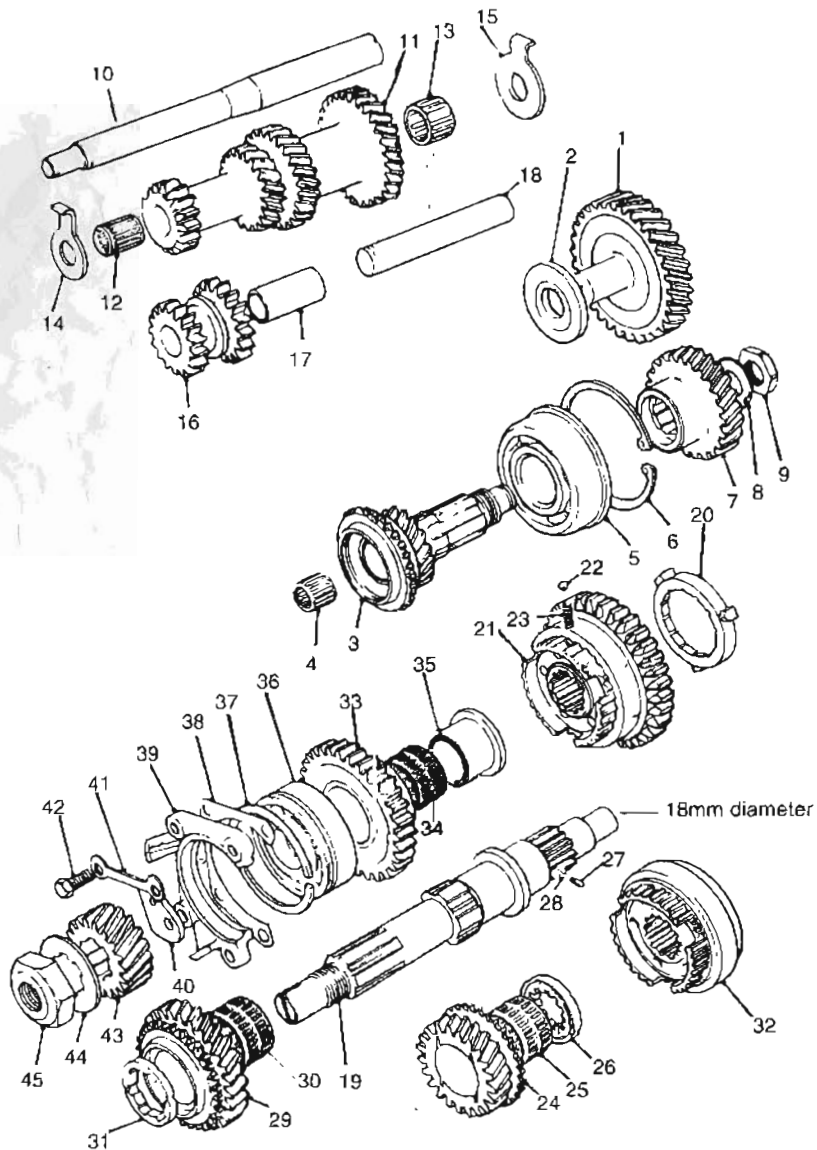
NO.	PART NO.	DESCRIPTION	QTY	REMARKS
33	22G1096	1st speed gear 31 teeth	1	
34	AAU1815	Roller needle bearing was 88G494	1	
35	22G837	1st speed gear journal	1	
36	AAU1365	3rd motion shaft ball bearing	1	
37	22G72	Spring ring	1	
38	2A3714	Shlm, 2 thou	AVR	
38	2A3715	Shim, 10 thou	1	
39	2A3581	Locating plate	1	
40	22A522	3rd motion bearing retainer, remote type	1	CWE
40	22G2726	3rd motion bearing retainer, rod change	1	NLA
41	DAM2377	Locktab washer	2	
42	SH505071	Retainer screw	4	
43	22A399	Final drive pinion 17 teeth 3.76:1 ratio	1	
43	22A413	Final drive pinion 18 teeth 3.44:1 ratio	1	
44	DAM6140	Locktab washer	1	
45	22G48	Retaining pinion nut	1	

4 SYNCHRO GEARS 1979 ON ROD CHANGE WITH 18MM NOSE MAINSHAFT



NO.	PART NO.	DESCRIPTION	QTY	REMARKS
1	TUB101310	Idler gear, 37 teeth, shaft diameter .875" (22.225mm) was DAM2924.....	1	
2	DAM5914	Idler gear shim .130-131" (3.30-3.32mm).....	1	
2	DAM4822	Idler gear shim .132-133" (3.35-3.37mm).....	1	No marking
2	DAM4823	Idler gear shim .134-135" (3.40-3.42mm).....	1	Yellow marking
2	DAM4824	Idler gear shim .136-137" (3.45-3.47mm).....	1	Red marking
2	DAM4825	Idler gear shim .138-139" (3.50-3.53mm).....	1	Blue marking
3	DAM3092	1st motion shaft, 17 teeth.....	1	
3	DAM3167	1st motion shaft, 18 teeth.....	1	1275GT
3	DAM4930	1st motion shaft, 17 teeth.....	1	'A' plus marking
4	13H9513	1st motion shaft needle roller.....	1	
5	ADU7619	1st motion ball bearing.....	1	
6	22G850	Bearing clip.....	1	Alternative sizes
6	22G851	Bearing clip.....	1	" "
7	DAM2925	First motion shaft drive gear, 29 teeth.....	1	
8	DAM4000	Locktab.....	1	
9	2A3548	Nut.....	1	
10	DAM3187	Layshaft, 3 step type.....	1	
11	DAM3169	Laygear, 15.20.25.29 teeth.....	1	
11	DAM3168	Laygear, 15.20.25.29 th (smaller diameter 29 teeth area).....	1	1275GT
11	DAM4931	Laygear, 15.21.26.30 teeth.....	1	'A' plus marking
12	13H9513	Needle roller for laygear small end.....	1	
13	CHM141	Needle roller for laygear large end.....	1/2	Quantity reduced
14	DAM3180	Laygear thrust washer small .121-123" (3.07-3.12mm).....	1	
14	DAM3181	Laygear thrust washer small .124-126" (3.1-3.20mm).....	1	
14	DAM3182	Laygear thrust washer small .127-129" (3.22-3.27mm).....	1	
14	DAM3183	Laygear thrust washer small .130-132" (3.30-3.35mm).....	1	
15	22G860	Laygear thrust washer large.....	1	
16	TUB10020	Reverse gear, was DAM 8046.....	1	Now single bush
17	22G825	Reverse gear single bush, (replaces 2 small ones).....	1	Early had 2 bushes
18	DAM8038	Reverse gear shaft.....	1	
19	DAM7484	3rd motion shaft with larger nose end .709" (18mm).....	1	
20	22G2033	Baulk ring.....	4	
21	DAM7455	1st motion synchronizer hub.....	1	
22	BLS107	Ball for synchronizer (3 per hub).....	6	
23	22G2262	Spring for synchronizer (3 per hub).....	6	
24	22G1095	3rd gear, 21 teeth, use with DAM3168/9 laygear.....	1	
24	DAM4933	3rd gear, 21 teeth.....	1	'A' plus markings
25	AAU1816	3rd gear bearing was 88G496.....	1	
26	22G947	Thrust washer.....	1	
27	22G843	2nd/3rd gear peg.....	3	2 for 2nd gear
28	22G154	Spring for 2nd/3rd gear peg.....	3	1 per gear
29	22G1094	2nd gear, 26 teeth, use with DAM3168/9 laygear.....	1	
29	DAM4932	2nd gear, 26 teeth.....	1	'A' plus markings
30	AAU1816	2nd gear needle roller was 88G495.....	1	
31	22G839	2nd gear washer.....	1	
32	DAM7456	3rd/4th synchronizer hub.....	1	
33	22G1096	1st gear, 31 teeth.....	1	

4 SYNCHRO GEARS 1979 ON ROD CHANGE WITH 18MM NOSE MAINSHAFT



NO.	PART NO.	DESCRIPTION	QTY	REMARKS
34	AAU1815	1st gear bearing was 88G494	1	
35	22G837	1st speed gear journal	1	
36	AAU1365	3rd motion shaft ball bearing	1	
37	22G72	Bearing clip	1	
38	2A3714	Shim, 2 thou	A/R	
38	2A3715	Shim, 10 thou	A/R	
39	DAM1756	Bearing retainer	1	4 bolt holes
39	DAM5996	Bearing retainer	1	3 bolt holes
40	2A3581	Locating plate	1	
41	DAM2377	Locktab	1	
42	SH505071	Retainer screw	1	3.4 as required
43	DAM2679	18 teeth final drive pinion	1	3.4 ratio
43	DAM2808	19 teeth final drive pinion	1	3.1/3.2 ratio
43	DAM5927	20 teeth final drive	1	2.9 ratio
43	TCC10001	21 teeth final drive pinion	1	2.76 ratio
44	DAM6140	Pinion locktab	1	
45	DAM7485	Locking nut	1	'A' plus markings

A plus gears have a different gear pitch and angle.

The gears that are specifically A plus have a slight central identification groove all the way around the outside edge of the main teeth.

FIVE SPEED GEARBOXES FOR ROD CHANGE TYPE ONLY

AVAILABLE FOR:-	RATIOS				
	1ST	2ND	3RD	4TH	5TH
A PLUS MAINSHAFT GEARS	3.282	1.966	1.283	1.000	0.882
ULTRA CLOSE RATIO HEAVY DUTY GEARS	2.583	1.644	1.250	1.000	0.865
CLUBMANS STRAIGHT CUT	2.583	1.710	1.250	1.000	0.865
ST 4 SYNCHRO STRAIGHT CUT	2.544	1.731	1.258	1.000	0.876 or 0.91

The standard rod change gearbox has now been modified to a closer ratio which is achieved by a new redesigned 1st motion shaft and laygear which are available in both early and A plus design. Differently machined laygears are made compatible to the 1st motion shaft so either set of the 2nd and 3rd gears from A plus or early gearboxes can be meshed together.

This gearbox is suitable for fast road engines producing up to 90ft lbs of torque, but not 1400cc or any Turbo car where any excessive boost pressure may be used.

An ultra close ratio heavy duty version using different 2nd and 3rd gears with an increased width is suitable for engines producing upto 125ft lbs of torque.

Please note: Any use of excessive Turbo boost pressure will destroy the hardest worked gears in the gearbox. Ie. 5th gear is the hardest worked.

FINAL DRIVE RATIOS

PRE 'A' PLUS FINAL DRIVE GEARS, CASTING NUMBER AS PER PART NUMBER

CROWNWHEEL	TEETH	RATIO	PINION	TEETH
22A411	62	3.444	22A413	18
22G940	62	3.647	22A399	17
22A401	64	3.765	22A399	17
22G340	63	3.938	22G338	16
22G101	62	4.133	22G99	15
22G370	64	4.267	22G99	15
22G443	65	4.33	22G99	15

FINAL DRIVE GEARS WITH 'A' PLUS TEETH ANGLES

CROWNWHEEL	TEETH	CASTING NO.	RATIO	PINION	TEETH	
DAM3645	65	DAM3546	4.333	DAM3647	15	
DAM3216	63	DAM3217	3.938	DAM3218	16	NLA
DAM4162	62	DAM4163	3.647	DAM4137	17	
DAM4779	64	DAM4780	3.765	DAM4131	17	
DAM2677	62	DAM2678	3.444	DAM2679	18	
DAM6327	59	DAM6243	3.105	DAM2808	19	12" WHEEL
DAM2806	61	DAM2807	3.211	DAM2808	19	TURBO
DAM5925	59	DAM5926	2.95	DAM5927	20	998C ECON.
TGB10004	58	TGB10005	2.76	TCC10001	21	

'A' PLUS TYPE PINIONS HAVE BOTH SIDES MACHINED FLAT.

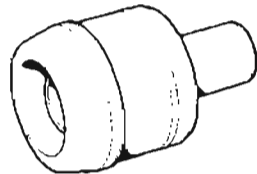
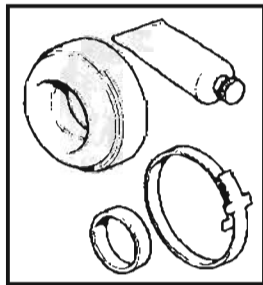
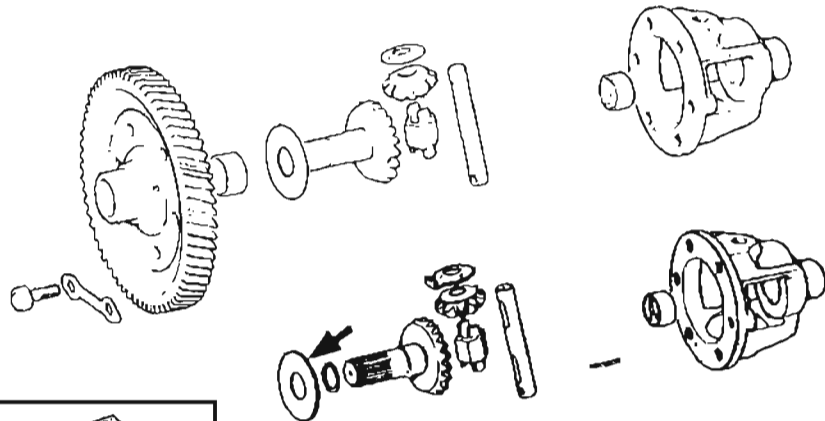
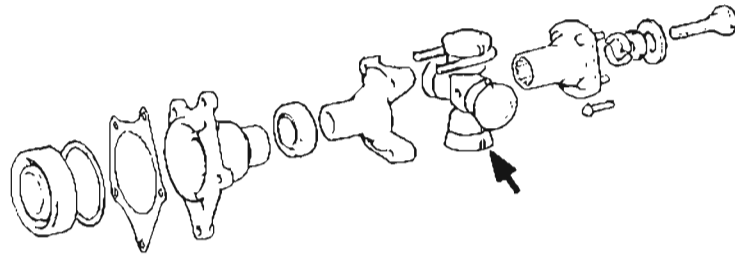
FIVE SPEED KIT

(contains only laygear, 1st motion shaft, selectors and fifth speed mechanism)

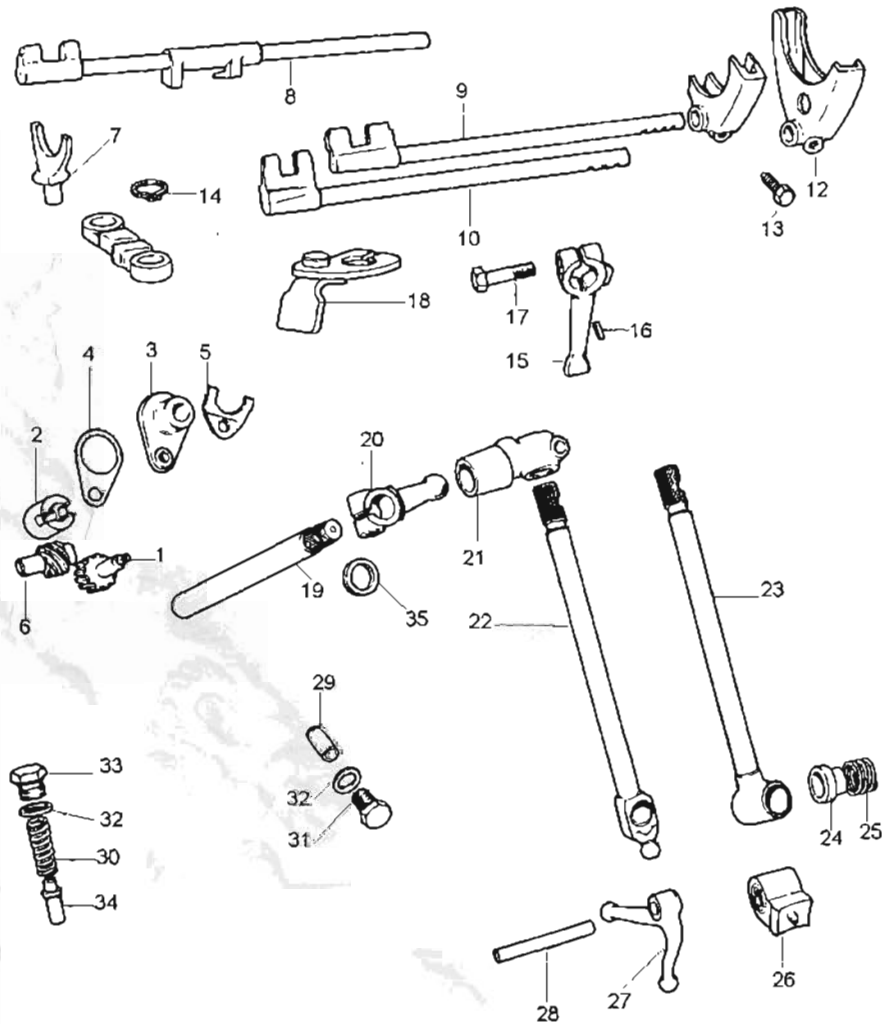
- MSG01 Five speed kit, ST straight cut A plus
- MSG02 Five speed kit, early idler pre A plus
- MSG03 Five speed kit, A plus large idler
- MSG04 Five speed gearbox
- MSG05 Five speed gearbox with cross pin diff
- MSG06 Five speed ultra close ratio heavy duty
- MSG07 Five speed ultra close ratio heavy duty with cross pin diff
- MSG08 Five speed ST straight cut gears
- MSG09 Five speed ST straight cut gears with cross pin diff
- MSG10 Five speed ST straight cut gears with LSD
- MSG11 Five speed Clubman straight cut
- MSG12 Five speed Clubman straight cut with cross pin diff
- MSG13 Five speed dog box

DIFFERENTIAL ASSEMBLY

NO.	PART NO.	DESCRIPTION	QTY	REMARKS
1	BTA145	Differential case, using 2A7062 washer	1	When BTA154 used
1	DAM6027	Differential case, using DAM5071 washer	1	When BTA154 omitted
2	ATA7378	Bush for diff case and crown wheel	2	
3	22A411	62 teeth crown wheel 3.4 ratio (DAM2677 A plus)	1	Use 18 teeth pinion
3	22A401	64 teeth crown wheel 3.76 ratio (DAM4779 A plus)	1	Use 17 teeth pinion
3	DAM6327	59 teeth crown wheel 3.105 ratio	1	Use 19 teeth pinion
3	DAM2806	61 teeth crown wheel 3.2 ratio	1	Use 19 teeth pinion
3	DAM5925	59 teeth crown wheel 2.95 ratio	1	Use 20 teeth pinion
3	TGB10004	58 teeth crown wheel 2.76 ratio	1	France
4	ATA7043	Crown wheel bolt	6	
5	ATA7385	Crown wheel locktab	3	
6	BTA154	Thrust block	1	Deleted on DAM6027
7	2A7015	Pinion	2	
8	DAM5071	Pinion bronze thrust washer with locating lip	2	For DAM6027
9	2A7062	Pinion bronze thrust washer	2	For BTA145
10	22G2583	Differential cross pin genuine, new shape	1	Use C-BTA166
10	BTA166MS	Differential cross pin, original shape	1	Alternative C-BTA166
11	RPS1418	Roll pin for diff pin to case	1	
12	22A373	Output shaft for 22A374	2	Rubber coupling type
12	22A1151	Output shaft for 22A1152	2	Hardy Spicer type 'S'
13	DAM3114	Output shaft, was DAM6138	2	Pot joint TADA DISCOS FRELO
14	22G2688	Circlip for DAM3114, on shaft	2	
15	BTA101	Fibre thrust washer	2	
16	AHU1856	Differential ball bearing	2	
17	2A3535	Differential bearing shims .002"/.0508mm	A/R	GUG705644GM NLA
17	2A3534	Differential bearing shims .003"/.0762mm	A/R	GUG705643GM NEA
17	DAM3108	Differential bearing shims .006"/.1524mm	A/R	
17	DAM3109	Differential bearing shims .010"/.2540mm	A/R	
18	CHM85	Output flange cover not automatic	2	Except Hardy Spicer
18	22G420	Output flange cover (22G419 with lug for rod change)	2	Hardy Spicer type
18	22G419	Output flange cover, not Automatic	2	'S' Hardy Spicer type
19	2A3538	Output flange cover bush	2	For CHM85
19	22G421	Output flange cover bush	2	For 22G419/22G240
20	ADU5738	Output flange cover oil seal	2	
20	AHU1082	Output flange cover oil seal	2	'S' Hardy Spicer type
21	GUG705567GM	Genuine output flange cover gasket was TRK1004B	2	
21	22A1611	Output flange gasket-paper	2	
22	22A374	Drive flange for output shaft	2	Rubber coupling type
23	22A1152	Drive flange for 22A1151	2	'S' Hardy Spicer type
24	22A1139	Drive flange bolt	8	
25	22A1104	Flange to output shaft bolt	2	
26	22A1201	Plain washer	2	
27	88G493	Drive flange collet	4	
28	22A1566	Sealing ring	2	
29	GCD101	Driveshaft rubber coupling kit including U bolts and nuts	2	
29	QL5000	Driveshaft nylon and needle roller coupling kit	1	Alternative to GCD101
30	22A132	U bolt	8	
31	GCV1102	In board CV joint (pot joint), was DAM677/ADU4378	2	
32	BHM7012	Gaiter kit (GSV1073 genuine gaiter kit)	2	



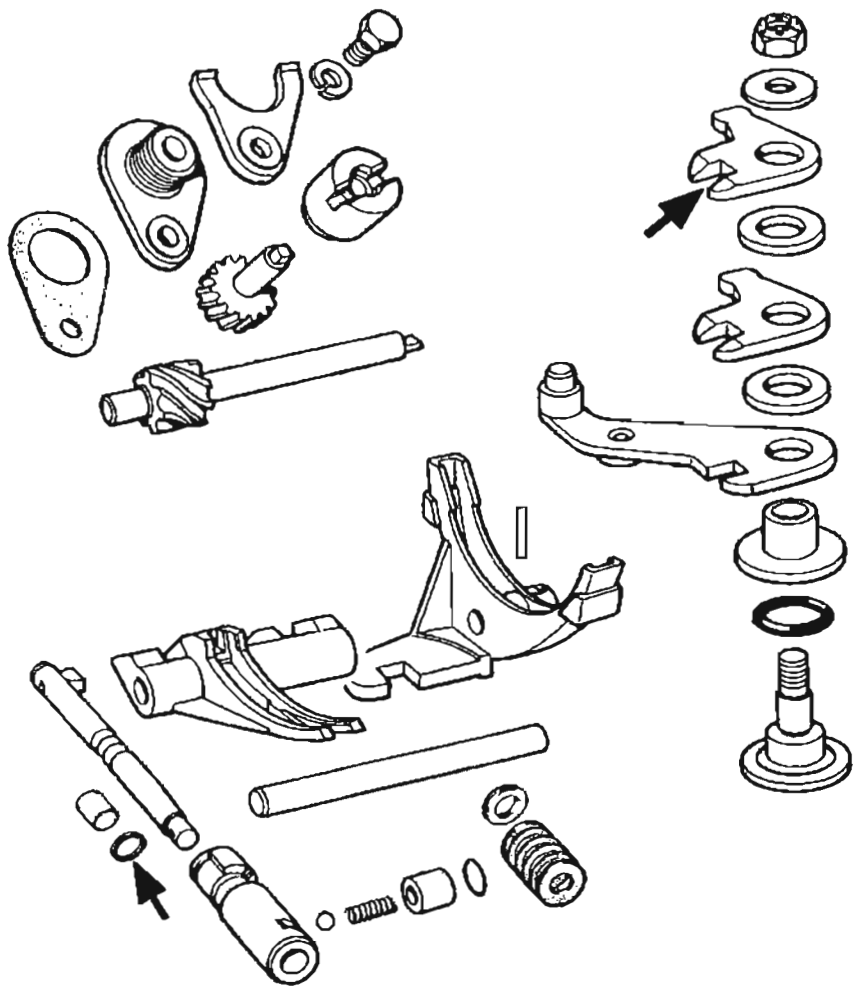
MAGIC WAND / REMOTE TYPE SELECTORS AND SPEEDO DRIVE



NO.	PART NO.	DESCRIPTION	QTY	REMARKS
1	22A1881	Nylon speedometer pinion gear, 17 teeth	1	
2	2A3624	Metal seating bush.....	1	
3	DAM8488	Speedometer cable to pinion housing.....	1	
4	GUG705585GM	Housing gasket, was 2A3628.....	1	
5	22A862	Spring U plate	1	
6	2A3720	Speedo drive to mainshaft gear, 6 teeth.....	1	
7	22G827	Reverse fork.....	1	
8	22A169	Reverse selector rod	1	
9	22G821	1st/2nd selector rod	1	CWE 4 synchro
9	22A167	1st/2nd selector rod	1	CWE 3 synchro
10	22G822	3rd/4th selector rod.....	1	CWE 4 synchro
10	22A168	3rd/4th selector rod	1	NLA 3 synchro
11	22A611	1st/2nd selector fork	1	3 synchro
11	22G889	1st/2nd selector fork	1	4 synchro
12	22A610	3rd/4th selector fork.....	1	3/4 synchro
13	2A3492	Selector fork bolt.....	3	CWE
14	CCN108	Circlip, lever to pivot pin	1	
15	88G222	Change speed lever	1	
16	WKN404	Lever keyway	1	
17	2A3335	Lever securing bolt.....	3	One each for 15/20/21 levers
18	22A208	Change speed gate	1	
19	88G231	Gear change shaft.....	1	
20	88G224	Gear change knuckle, male.....	1	
21	88G223	Gear change knuckle, female.....	1	
22	22A253	Remote change shaft, when remote housing fitted	1	CWE
23	88G233	Gearchange for magic wand case	1	NLA
23	88G553	Remote gear change shaft (non remote housing)	1	85H engine 1970 on
24	2A3467	Gearlever thrust button, NLA. plus magic wand..pre 1967 ..1	1	85H engine 1970 on
25	2A3390	Gearlever spring, NLA..... plus magic wand..pre 1967 ..1	1	85H engine 1970 on
26	22A1832	Gearlever seat and locating pad, NLA	1	85H engine 1970 on
27	22G79	Ball end lever crank.....	1	CWE
28	22G259	Pivot pin for 22A1832 and 22G79.....	1	
29	22G411	Detent plunger	3	
30	2A3647	Detent spring	4	
31	22A387	Detent plug	2	
32	AED172	Sealing washer.....	3	
33	22A149	Detent plug for reverse	1	
34	22A191	Reverse detent plunger.....	1	
35	13H577	Oil seal for remote gear shaft	1	

In 1970, 850cc Minis with engine number 85H101 on had a remote type gearbox case, which was fitted with a magic wand type gearlever, held up by a plate underneath using 23/24/25/26. A remote control can be fitted changing part 23 and fitting parts 22/27.

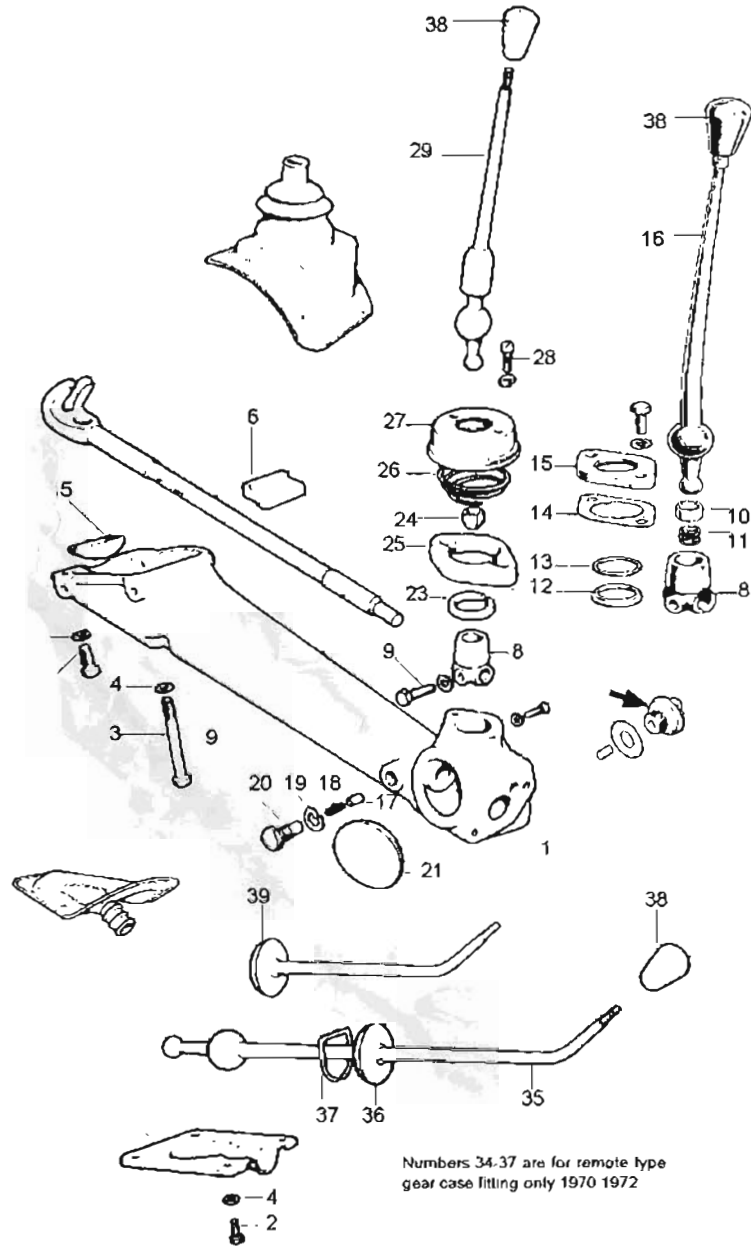
ROD CHANGE GEAR SELECTORS AND SPEEDO DRIVE



NO.	PART NO.	DESCRIPTION	QTY	REMARKS
1	22A1881	Speedo pinion 17 teeth	1	All pre 1980
1	DAM2905	Speedo pinion 16 teeth, 3.1 final drive (from 1984 on)	1	12" wheels (Green)
1	TXD10006	Speedo pinion 18 teeth, 3.2 final drive (Red)	1	12A Engine TBI
1	TXD10004	Speedo pinion 15 teeth, 2.76 final drive (Black)	1	
2	2A3624	Metal seating bush	1	
3	DAM8488	Speedometer cable to pinion housing	1	Was 28G251
4	GUG705565GM	Tear drop gasket, was 2A3628B	1	
5	22A862	U clip	1	
6	2A3720	Speedo drive spindle for 22A1881, 6 teeth	1	
6	DAM6028	Speedo drive spindle for DAM2905, 7 teeth, blue code	1	12" wheels, 3.1 f/drive
6	TXF10004	Speedo drive spindle for TXD10006, 5 teeth, red code	1	3.2 final drive
6	TXF10001	Speedo drive spindle for TXD10004, 7 teeth, yellow code	1	
7	22G1845	Bell crank pivot pin	1	
8	31B447	Pivot pin seal	1	
9	42H1077	Pivot bush	1	
10	22G1849	Release lever (reverse)	1	
11	42H1081	Lever spacer	2	
12	22G1847	Bell lever crank, lower	1	
13	22G1848	Bell lever crank, upper	1	
14	22G1858	Selector shaft	1	
15	22G1844	Interlock spool	1	
16	22G1854	Selector shaft for speed fork	1	
17	TSP100390	1st/2nd selector fork, genuine, was DAM7425	1	
17	22G1855MS	1st/2nd selector fork, non genuine	1	
18	TSP100400	3rd/4th selector fork, genuine, was DAM7426	1	
19	22G2595	Roll pin to hold 3rd/4th fork to rod	1	
20	BLS110	Detent ball	1	These parts sit behind the drive flange cover
21	22G2083	Detent spring	1	
22	22G1870	Detent sleeve	1	
23	22G1417	'O' ring for sleeve	1	
24	DAM3022	Gaiter for rod change oil seal	1	
25	AHU1672	Rod change case oil seal	1	
26	DAM8706	Alloy rod shift bush for case, replaces DAM7764	1	
27	CDU1563	'O' ring for use with DAM8706	1	

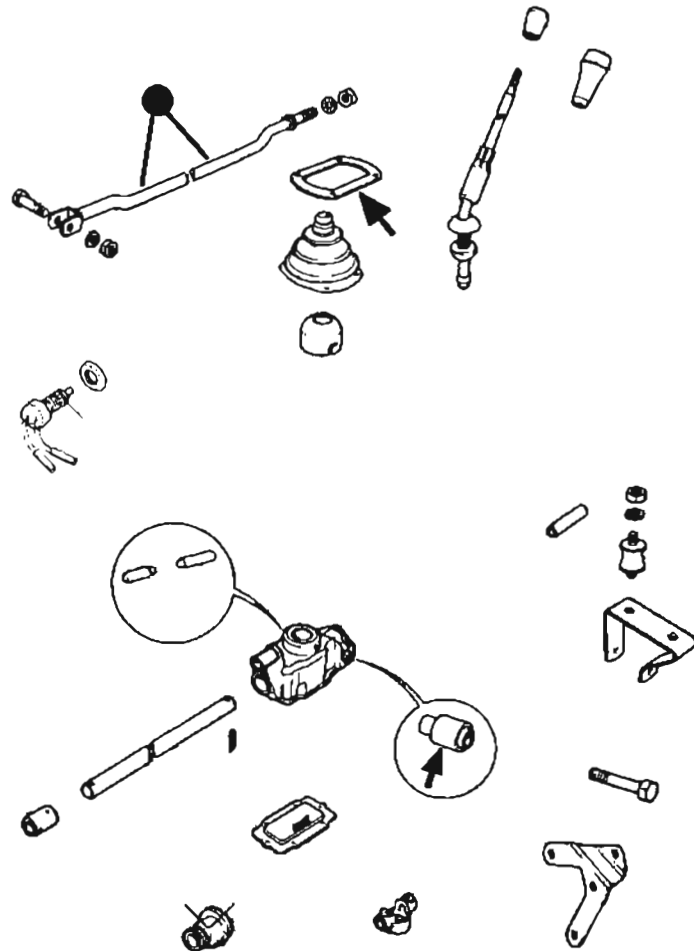
Use 6/16 pinion on 12" wheels with 3.44 final drive.

GEARCHANGE UPTO 1972 NOT ROD CHANGE



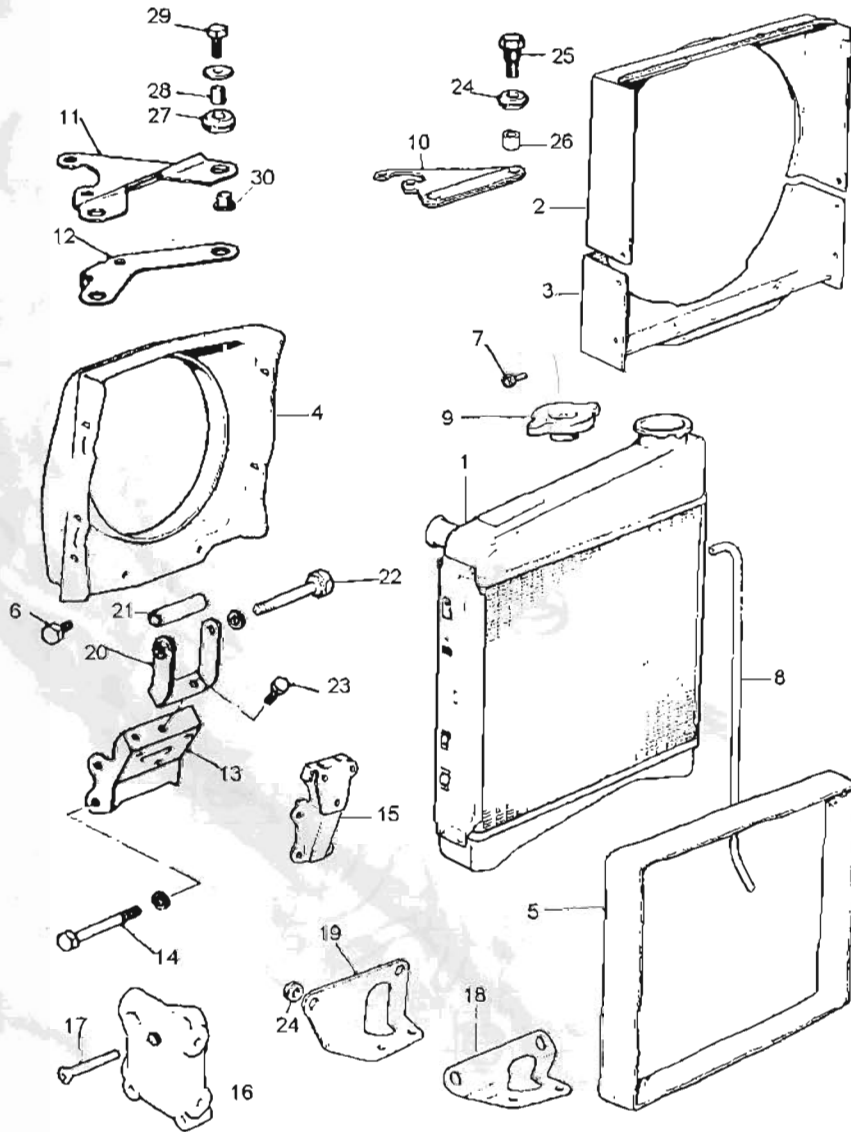
NO.	PART NO.	DESCRIPTION	QTY	REMARKS
1	22A250	Remote control housing	1	
2	GHF165	Short remote to case bolt	2	
3	ZCS628	Long remote to case bolt	2	
4	LWZ306	Spring washer	4	
5	22A285	Rubber plug	1	
6	22A1373	Rubber pad for case to remote housing	1	
7	8G713	Gear change shaft	1	
8	22A267	Knuckle for gear change shaft	1	
9	2A3335	Screw for knuckle to shaft	1	
10	22G158	Gear seal for gearlever, early type	1	NLA
11	22G159	Spring for 22G158, early type	1	NLA
12	22A392	Nylon flange retainer	1	CWE
13	22A393	Oil seal	1	NLA
14	22A394	Retainer gasket	1	CWE
15	22A391	Gearlever retainer	1	NLA
16	22A269	Gearlever, early type	1	NLA
17	22A84	Anti rattle plunger	1	NLA
18	AEG3123	Anti rattle spring	1	NLA
19	AEG3122	Washer	1	NLA
20	22A85	Spring retaining cap	1	NLA
21	22A271	Dust cover large plug	1	
22	2A3602	Locating pin for gearlever	1	CWE
23	22G292	Nylon flange	1	Late type
24	22G389	Gearlever seal	1	Late type
25	88G228	Distance piece	1	NLA
26	22G286	Tension spring	1	
27	22G290	Gearlever retainer	1	NLA
28	22G291	Retainer bolt	2	
29	22G1190	Gearlever late type, chrome	1	NLA
30	22A608	Gearlever gaiter, original	1	
30	22A608MS	Budget gearlever gaiter	1	
31	GAE131	Reverse light switch	1	CWE
32	2K7914	Insulation fibre washer	1	CWE
33	22G351	Reverse light plunger	1	CWE
34	22A1717	Cover to hold up gearlever when remote case	1	85H Engine
35	22A1382	Gearlever, when remote case only, NLA	1	85H Engine
36	22A1380	Gaiter when remote case only	1	CWE
37	22A1381	Gaiter retainer ring, when remote case only	1	CWE
38	22G110	Original gear knob	1	NLA
39	22A419	Dust excluder, magic wand, non remote case	1	
40	14A6860	Gearlever gaiter, magic wand	1	

ROD CHANGE GEAR SHIFT MECHANISM

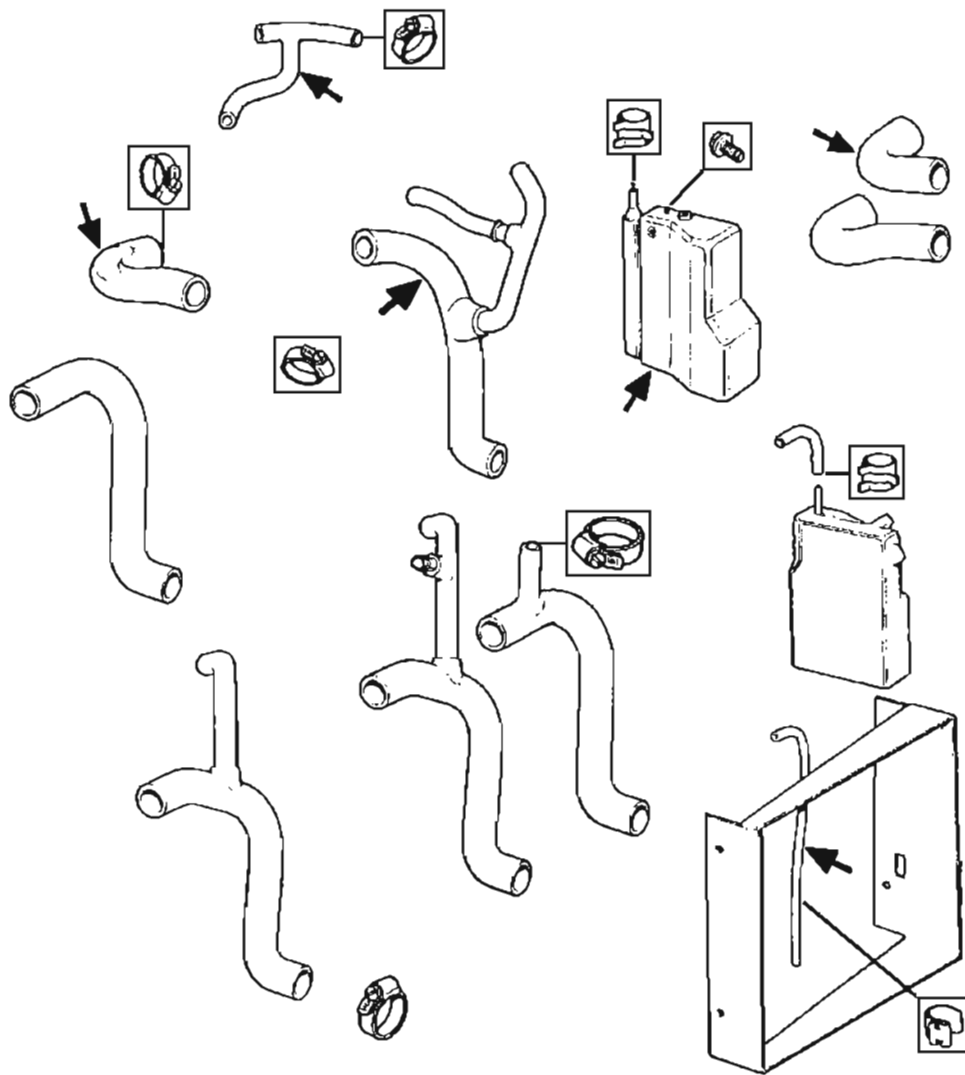


NO.	PART NO.	DESCRIPTION	QTY	REMARKS
1	22G1930	Extension rod to gear lever	1	
1	UKN10023	Extension rod to gear lever	1	1300cc 1991 on
2	42H1116	Coupling for extension rod	1	
3	RPS1416	Roll pin (coupling to rod) and eye extension rod	2	
4	22A1936	Gearbox to gearlever steady rod	1	
4	DAM5067	Gearbox to gearlever steady rod	1	1000cc 1985 on
4	UKN10032	Gearbox to gearlever steady rod	1	1300cc 1985 on
5	BT605161	Steady rod to gearbox bolt	1	
6	42H1199	Rod eye support	1	
7	DAM3670	Gearlever housing was 42H1194	1	
8	42B413	Housing steady bush, was 42H1214	1	
9	DAM2670	Long gearlever retainer pin was 22G2276	1	(Gearlever locating pin)
10	22G2277	Short gearlever retainer pin	1	
11	22G2792	Extension rod eye	1	
12	DAM8621	Gearlever housing base plate was 22G2355	1	
12	MSG11	Mini Spares 5 speed gearbox base plate	1	
13	22G2026	Floor to housing bracket	1	
14	BT606281	Bracket to housing bolt	1	NLA
15	22G2205	Bracket to housing mountings	2	
16	GHF332	Washer	1	
17	GHF201	Nut	1	
18	22G1434	Gearlever retainer	1	
19	22A1932	Gearlever assembly	1	
20	22G2316	Gearlever knob (bakelite type)	NLA	Use DAM4440
20	DAM4440	Gearlever knob	1	
21	DAM6001	Gearlever knob 1986 on s/sd by VKJ10005	1	
21	UKJ10005	Gearlever knob Mini 30, Studio 2, 1300cc	1	
22	CZH4278	Gearlever gaiter	1	
23	FJN10003	Retainer for gaiter, was CZH3002	1	
24	GEX7088	Exhaust bracket	1	
25	MSG12	Mini Spares 5th gear gate bias	1	Fits extension rod
26	GAE191	Reverse light switch	1	
27	22A1613	Locknut for switch	1	

RADIATOR AND FITTINGS



NO.	PART NO.	DESCRIPTION	QTY	REMARKS
1	ARP2000	Radiator (3 rows of cores)	1	
1	C-ARA4442	Radiator (2 rows of special large cores) for hot countries	1	Better cooling
1	PCC10358B	Late radiator with thermostat switch recess in base	1	12A G03/4 May 1992 on
1	PCC10339B	Late radiator with thermostat switch recess in base	1	T.B.I.
1	ERA1159	Radiator (with take off for ERA1160 auxiliary radiator)	1	ERA Turbo
2	ARA2768	Top cowl, NLA	1	
3	ARA2769	Bottom cowl, except Cooper, NLA	1	
3	ARA2770	Bottom cowl	1	Cooper, Cooper 'S' only
4	ARP1174	One piece cowling was ARP1068	1	1974 on
5	14A7286	Inner wing cowl surround rubber when fitted	1	up to 1972/3
6	SH604031	Radiator to cowl screws	A/R	1974 on
7	ARA1117	Original PK screw on early radiators, pre 1974	A/R	Not for ARP2000
8	GRH1001M	Overflow pipe rubber	1	1 metre length only
9	GRC101	Radiator cap 7lb pressure	1	Long neck, standard
9	GRC102	Radiator cap 7lb pressure	1	Short neck
9	GRC105	Radiator cap 10lb pressure	1	Cooper
9	GRC110	Radiator cap 15lb pressure	1	All 1976 on
9	GRC1111	Radiator cap 13lb pressure, was GRC111	1	All 'S' & mini 1969-76
10	12A201	Top radiator bracket, CWE	1	850cc/998cc to 1974
10	12G617	Top radiator bracket	1	1275's
10	12G323	Top radiator bracket	1	970/1070cc
10	12G2453	Top radiator bracket, uses 11G227 grommet	1	1275GT
11	CAM4619	Top radiator bracket on one piece cowl	1	850/998cc, 1980 on
11	CAM4620	Top radiator bracket on one piece cowl	1	Clubman 998cc
11	CAM4621	Top radiator bracket on one piece cowl, use 12G2453	1	1275GT
11	CAM4622	Top radiator bracket on one piece cowl	1	Mini 998/Sweden Canada
12	PCU10135	Top radiator bracket, uses 11G227/CAM4414	1	New Coopers, 1300cc
12	ERA1186	Top radiator bracket	1	Turbo
13	12A361	Engine to radiator mounting bracket	1	Coopers and ARP1174 cowl
14	HBZ534	Long bolt for 12A361 bracket to gearbox	2	
15	22A30	Engine to radiator mounting bracket, up to 12A361	1	
16	12G1318	Adaptor plate	1	
17	12G1319	Screw, for adaptor plate	1	N.L.A.
18	12A293	Split cowl lower radiator bracket, when 12A361 fitted	1	CWE, Coopers
19	22A29	Split cowl lower radiator bracket, when 22A30 fitted	1	CWE, 850/998cc Mini
19	12G2458	Split cowl lower radiator bracket, when 22A30 fitted	1	Clubman 998cc
19	12G3641	Split cowl lower radiator bracket, when 12A361 fitted	1	Clubman 998/1275GT
20	12A2153	Single cowl lower radiator bracket, when 12A361	1	All 1974 on
21	ARP1073	Spacer for 12A2153 bracket	1	
22	12G4270	Bolt for cowl to bracket	1	
23	SH605051	Scw to bracket	2	
24	11G227	Upper and lower radiator grommet on 2 piece cowl	2/4	Plus top 1990 on
25	11G228	Original shouldered bolt	2	
25	GHF120	Plain bolt to go with 12A1985 when required	2	
26	12A1985	Sleeve only required with GHF120 to replace 11G228	2	
27	CAM4414	Upper radiator bracket grommet with one piece cowl	2	1974 to 1990
28	CAM4415	Sleeve for CAM4415 grommet	2	1974 on

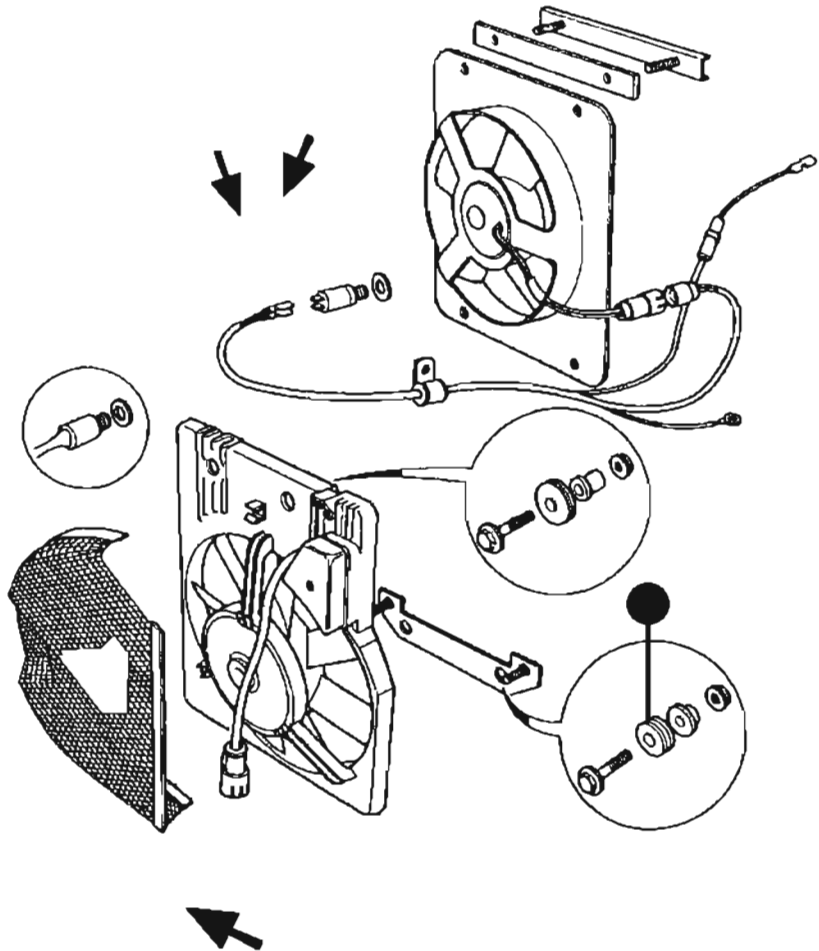


RADIATOR HOSES

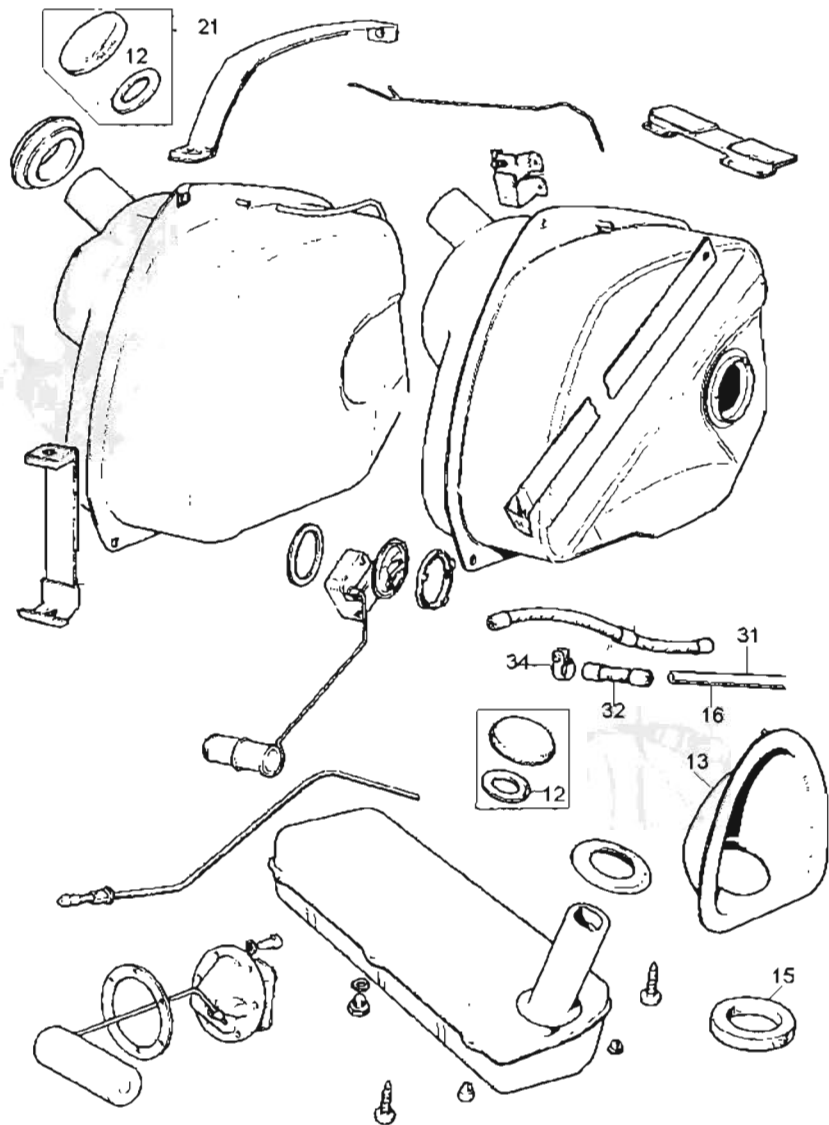
NO.	PART NO.	DESCRIPTION	QTY	REMARKS
1	GRH244	Top hose 850,1000cc	1	To 1967 MKI
1	GRH245	Top hose	1	1967 on MKII
1	GRH467	Top hose	1	998cc Clubman
2	GRH469	Top hose	1	ERA Turbo/1275GT
2	GRH247	Top hose	1	Cooper 'S'
2	GRH1140	Top hose	1	New Coopers and 1300cc
2	GRH1212	Top hose fuel injected from	1	Fuel injection TBI
3	GRH201	Bottom hose, water pump to radiator	1	MKI to 1967
4	GRH240	Bottom hose	1	1968-1989
4	GRH468	Bottom hose	1	All Clubman/1275GT
5	GRH1139	Bottom hose, 1990 on, use GRH1159	1	Cooper SE 1300cc
6	GRH1159	Bottom hose, 1990 on, G01 engine	1	HIF44 Cooper 1300cc
6	GRH1242	Bottom hose, was GRH1215	1	TBI
7	GRH1289	Bottom hose, V044495 on	1	Single carburettor
7	GRH1220	Bottom hose, V504671 on	1	Sprite 1300cc 1992 on
8	GRH802	Bottom hose when no heater fitted	1	
9	GRH1216	Thermostat to heater, manifold	1	TBI Fuel injection
10	GHC507	Clip, heater outlet on hose	1	Up to 1990
11	GHC608	Clip, heater outlet on hose	1	1990 on
12	GHC913	Top and bottom hose clip	4	
13	PCF10060	Expansion tank, fits between radiator and bulkhead	1	Cooper 1300cc
14	PCF10097	Expansion tank, sits on L/H front shock absorber bracket ..	1	From 1992 on
15	FS1016141	Bolt for expansion tank PCF10097 overflow	1	
16	GRH1213	Expansion tank hose	1	Cooper 1300cc only
17	UKC3803	Clip for hose	A/R	
18	KRD10009	Stoneguard	1	
19	GRH1001M	Radiator overflow hose	1	Per metre
20	ARA951	Clip for overflow hose	1	

ELECTRIC FAN 1990 ON

NO.	PART NO.	DESCRIPTION	QTY	REMARKS
1	PGF10038	Fan and cowl assembly	1	Cooper S.E.
2	PGU10006	Bracket.....	1	Cooper S.E.
3	PYF10039	Insulation rubber	1	Cooper S.E.
4	YWL10010	Thermostat switch with seal	1	Cooper S.E.
5	PYF10040	Seal for thermostatic switch	1	Cooper S.E.
6	YMV10069	Harness for fan	1	Cooper S.E.
7	YMV10046	Electric fan	1	Cooper 1300cc
8	PGL10008	Fan shield	1	Cooper 1300cc
9	YWL10009	Thermal switch	1	Cooper 1300cc
10	PYF10036	Washer for switch.....	1	Cooper 1300cc
11	PGU10007	Fixing bracket.....	1	Cooper 1300cc
12	11G227	Grommet	2	Cooper 1300cc
	PGG10058	Open fan and motor assembly, 1992 on	1	NOT SHOWN
	CDU1500	Thermostat switch in bottom of radiator	1	
	CDU2334	Seal for CDU1500 switch	1	
	KTP9002	Clip to hold thermostat switch.....	1	
	PUB10001	Grille mesh fitted to inner wing, when no electric fan	1	
	C-ARA4400	Kenlowe electric fan kit	1	

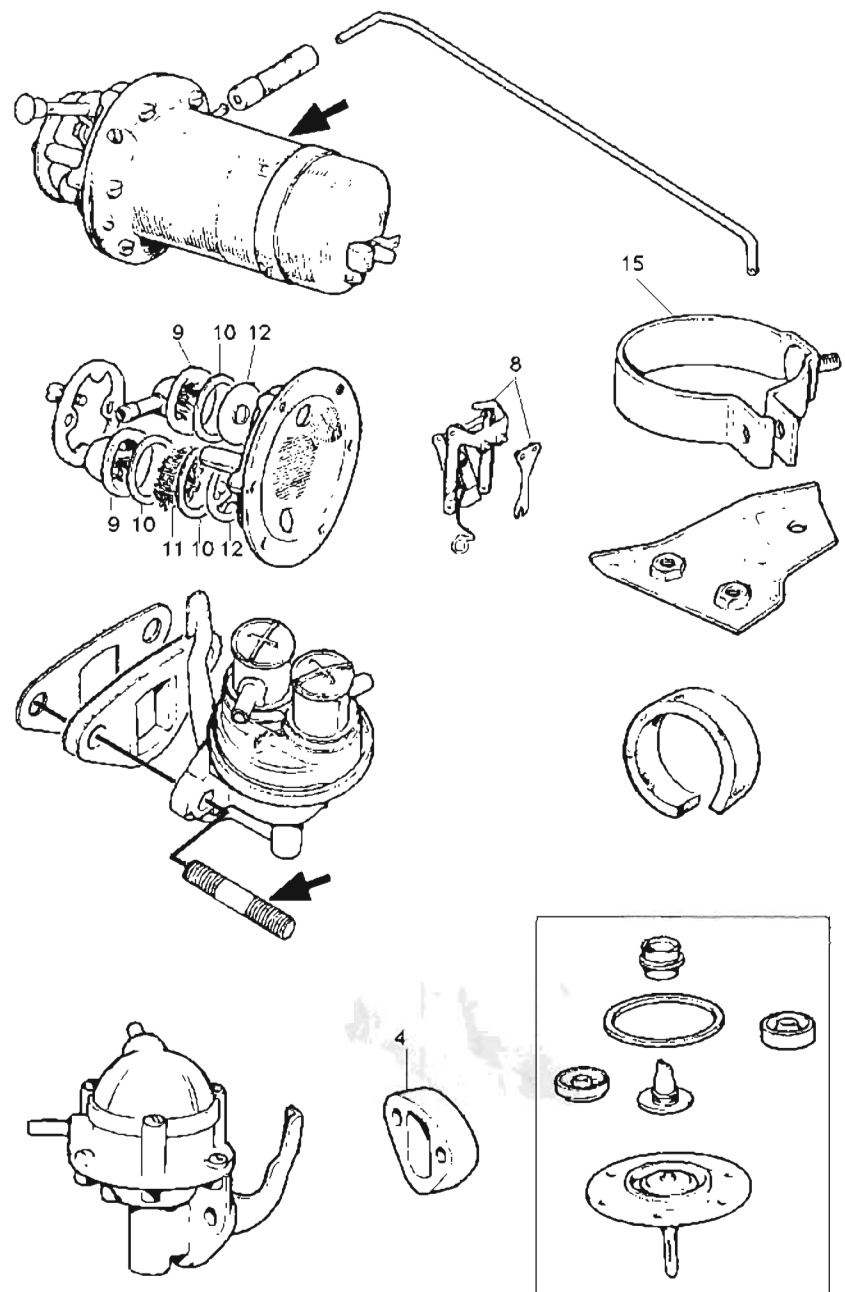


FUEL TANKS



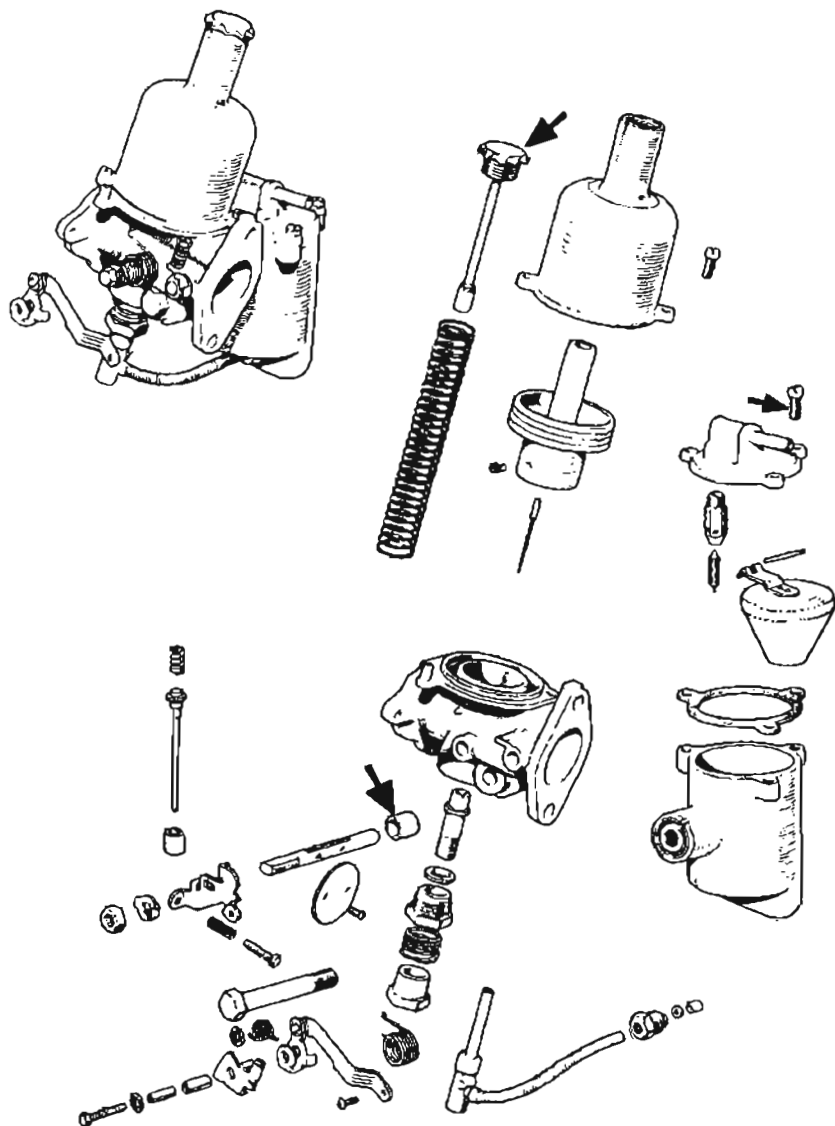
NO.	PART NO.	DESCRIPTION	QTY	REMARKS
1	21A291	Petrol tank	1	Estate/Van/Pickup
2	ARH672	Drain plug	1	
3	ARA967	Drain plug washer	1	
4	21A304	Large nylon securing nut, rear	3	
5	AB614101	Securing screw for 21A304	3	
6	21A305	Small nylon securing nut front	3	
7	AB614061	Securing screw for 21A305	3	
8	AAU8340	Petrol tank sender unit	1	Estate/Van/Pickup
9	2H1082B	Sender unit gasket	1	
10	53K165	Tank unit screw	6	
11	WLD100350	Petrol cap chrome vented, was 18G8601A	1	Estate/Van/Pickup
11	WLD10027	Petrol cap black vented, also fits Saloon, was NAM3927	1	Estate/Van/Pickup
11	GSS154A	Petrol locking cap chrome, vented	1	Estate/Van/Pickup
12	21A2109	Petrol cap seal	1	
13	14A8152	Fuel neck to body cowl	1	NLA
14	14A7057	Fuel neck seal	1	
15	2A2069	Sealing ring, neck to floor	1	
16	PP29	Petrol pipe, was 21A919 134" long (Van)	A/R	per foot
17	21A307	Tank to pump pipe with unions	1	
18	21A2183	R/H Fuel tank 5.5 gallon	1	Optional
19	ARP1043	Petrol tank 7.5 gallons capacity (standard filler neck)	1	Saloon
19	WFE10093	Petrol tank 7.5 gallon (restricted neck)	1	Lead free Cooper
19	WFE10420	Petrol tank 7.5 gallon (restricted neck) May 1992 on	1	Catalyst 1300cc
19	WFE10401	Petrol tank 7.5 gallon (restricted neck)	1	TBI fuel injected
20	21A2838	Diagonal retaining strap	1	
21	WLD100350	Petrol cap chrome vented, (was 18G8602A non vented)	1	Saloon
21	WLD10027	Petrol cap black vented, (was NAM3928 non vented)	1	Saloon
21	GSS154A	Petrol locking cap chrome, vented	1	Pre 70 Saloon
21	WLD100310	Petrol locking cap chrome non vent (was GSS218A black)	1	Saloon
21	GSS212A	Petrol locking cap black, non vented	1	Saloon
22	XNB10007	Sender unit. All upto 1992 inc. Cooper & SE carburettor	1	Was AHU1029
22	XNB100380	Sender unit 1300cc 1992 on and fuel injected	1	Catalyst
23	ARA1501	Metal locking ring	1	
24	ARA1502	Locking rubber seal ring	1	
25	21A1329	Location plate for 21A2183 R/H tank	1	
26	ALA7905	Anchor bracket, R/H tank	1	
27	2A2231	Lower strap short	1/2	
28	2A2226	Upper strap long	1/2	
29	21A2331	Joining pipe R/H to L/H tank	1	
30	BAU2171M	Plastic vent pipe	A/R	Per metre
31	21A919	Petrol metal pipe, Saloon 92"	1	
32	PPK1	2.5" original Smiths type hose	A/R	
33	PPK2	6.5" original Smiths type hose	A/R	
33	PPK4	9.75" original Smiths type hose	A/R	
33	PPK5	11.5" original Smiths type hose	A/R	
33	PPK6	14" original Smiths type hose	A/R	
34	ACH5854	Clip for Smiths type hose	A/R	

FUEL PUMPS AND PETROL PIPE



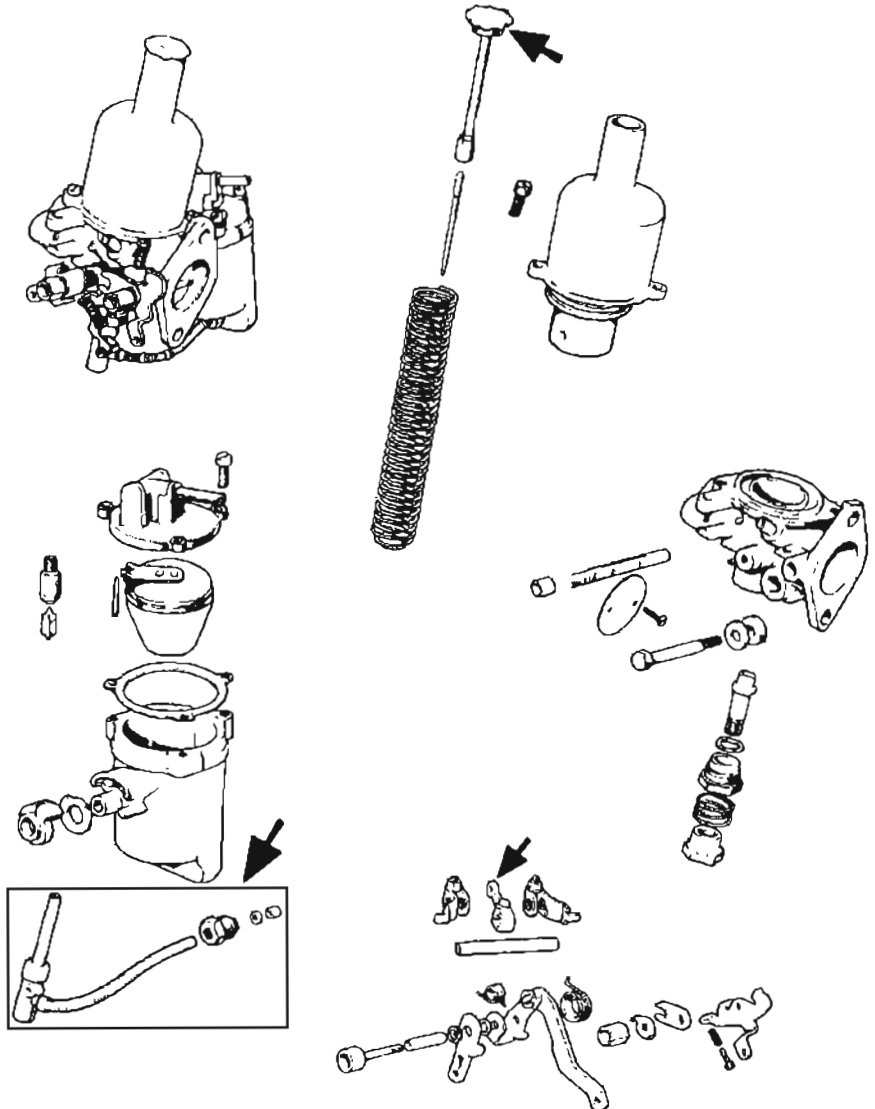
NO.	PART NO.	DESCRIPTION	QTY	REMARKS
1	AUF705	Mechanical fuel pump.....	1	NLA
2	AUE555	Repair kit for AUF705.....	1	CWE
3	AZX1818	Mechanical fuel pump.....	1	
3	AZX1817	Mechanical fuel pump.....	1	New Cooper
3	WND10005	Mechanical fuel pump.....	1	Catalyst 1990 on
4	AUB5012	Gasket and distance piece.....	1	For AUF705
5	GUG705603GM	Gasket and distance piece, was 12G4520B.....	1	For AZX1817/B
6	GUG705779GM	Gasket all mechanical pump, was 12G3494B.....	1	
7	AUF214	Electric fuel pump.....	1	
8	AUB6106	Contact set.....	1	
9	AUB663	Banjo.....	2	
10	AUB676	Sealing ring.....	A/R	
11	AUB617	Filter.....	1	
12	AUB6062	Inlet and outlet valve.....	2	
13	PP29	Metal petrol pipe (per foot).....	A/R	
14	PPK1	Petrol pipe 2.5" long.....	A/R	
14	PPK2	Petrol pipe 6.5" long.....	A/R	
14	PPK4	Petrol pipe 9.75" long.....	A/R	
14	PPK5	Petrol pipe 11.5" long.....	A/R	
14	PPK6	Petrol pipe 14".....	A/R	
15	21A632	Clamp for fuel pump.....	1	
16	21A750	Pump to clip bracket.....	1	CWE
17	ACB9252	Packing strap.....	1	CWE
18	CHS2515	Stud for mechanical pump.....	2	
	WFX10045	Fuel pump in tank, TBI only.....	1	(not shown)

CARBURETTORS HS2



NO.	PART NO.	DESCRIPTION	QTY	REMARKS
1	HS2	Carburetors, 1.250" bore	1	
2	AUC8103	Dashpot damper	1	
2	AUC8103HB	Original brass type dashpot damper	1	
3	AUC4587	Dashpot spring, blue, 2.5oz.....	1	Optional
3	AUC4387	Dashpot spring, red, 4.5oz	1	Standard fitment
4	AUD1261	Fuel needle rich (M)	1	
4	AUD1149	Fuel needle standard (EB).....	1	850cc
4	AUD1227	Fixed needle standard (GX).....	1	998cc
4	AUD1211	Fixed needle weak (GG).....	1	
5	AUC8460	Fixed needle jet use WZX1341 kit, includes 5, 6, 7, 8, 9	1	
5	AUD3414	Swinging needle jet use WZX1442 kit, inc 5, 6, 7, 8, 9	1	
6	AUC8478	Jet bearing washer.....	1	
7	AUC2002	Jet locking screw.....	1	
8	AUC2114	Jet locking spring.....	1	
9	AUC8461	Jet adjusting screw	1	
10	AUC8469	Spindle	1	
11	WZX1320	Butterfly with screws	1	
12	RTC5965	Butterfly screw, was AUC1358	2	
13	AUD9098A	Jet assembly	1	
14	AUD2129	Nut	1	Part of jet assembly
15	AUD2193	Washer.....	1	
16	AUD2194	Rubber seal	1	
17	WZX1300	Float with pin, was AUD9904	1	
18	AUC1152	Float pin	1	Fixed needle
19	WZX1100A	Needle valve kit	1	
19	CA90	Flo jet to replace WZX1100/1A	1	
20	AUE266	Lid with float and needle valve	1	
21	AUC8459	Float gasket	1	
22	JZX1394	Float lid scow.....	3	
23	CUD1019	Swinging needle (AAV)	1	
24	AUD3306	Swinging needle spring	1	
25	AUD4288	Swinging needle guide.....	1	
26	AUD3079	Spindle repair bushes .250" I/D ream body to 8.00mm	2	
	WZX1851	Service kit, needle valve jet and gaskets	1	NOT SHOWN
	CRK104	Repair kit, as WZX1851 plus butterfly and spindle.....	1	NOT SHOWN

CARBURETTOR HS2 TWIN

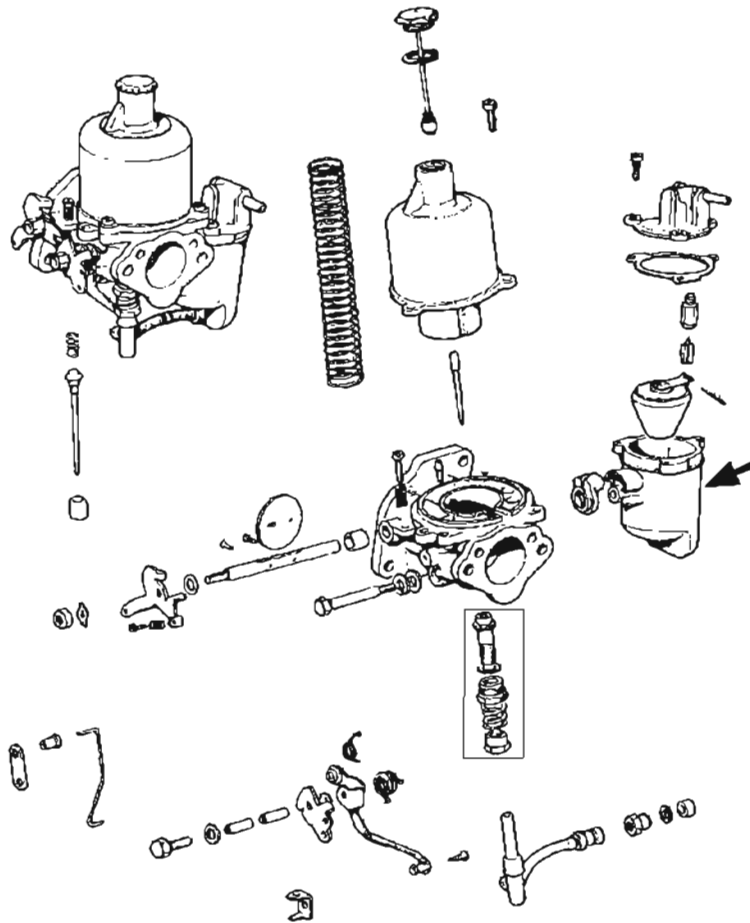


NO.	PART NO.	DESCRIPTION	QTY	REMARKS
1	AUD104	Pair of carbs fixed needle	1 pr	NLA
1	AUD662	Pair of HS2 carburettor 1.250" swinging needle	1 pr	AAZ needles
2	AUC8103	Dashpot damper	2	
3	AUC4587	Dashpot spring blue, 2.5oz	2	Optional
3	AUC4387	Dashpot spring red, 4.5oz	2	Standard
4	AUD1059	Needle rich (AH2)	2	1275cc
4	AUD1261	Needle standard (M)	2	1275cc
4	AUD1149	Needle weak (EB)	2	1275cc
5	AUD9141A	Jet assembly, LH (front)	1	Green band
5	AUD9142A	Jet assembly, RH (rear)	1	Pink band
6	AUC8460	Fixed needle jet bearing, use WZX1341	2	Part of WZX1341
7	WZX1341	Fixed needle jet bearing kit	2	
7	WZX1442	Swinging needle jet bearing kit, was WZX1342	2	
8	AUC8469	Spindle	2	WZX1310 kit
9	WZX1320	Butterfly disc with screws	2	
10	RTC5965	Butterfly screw	4	
11	AUD2129	Nut	2	Supplied with jet assembly
12	AUD2193	Washer	2	
13	AUD2194	Seal	2	
14	WZX1300	Float and pin kit	2	
15	AUC1152	Float pin	2	
16	AUE266	Float and lid and needle valve assembly	1	R/H (rear)
16	AUE269	Float and lid and needle valve assembly	1	L/H (front)
17	WZX1100A	Needle valve	2	
17	CA90	Flojet to replace WZX1100/1	2	
18	AUC8459	Float gasket	2	
19	JZX1394	Float and dashpot screw	6	
20	AUC1366	Body to bowl grommet	1	R/H (rear)
20	AUC1316	Body to bowl grommet	1	L/H (front)
21	AUC1426	Pivot bolt	2	
22	AUC1424	Pivot nut	2	
23	AUC1318	Rubber washer	2	
24	AUD3079	Spindle repair bush .250" ID ream body to 8mm	4	
25	AUE586	Lever assembly R/H	2	
26	AUE587	Lever assembly L/H	2	
27	AUC1457	Connecting rod 2.200"	1	
28	AUC1501	Lever, alternative to AUE180	1	
	WZX1859	Twin carburettor service kit	1	
	CRK101	Twin carb repair kit with spindles, bushes, butterflies	1	
	FZX3052	Twin carb set complete less air cleaner assembly	1	
	FZX3053	Twin carb set complete with air cleaner assembly	1	

Twin carburettor identification of right hand or rear denotes the carburettor farthest away from the water pump end of engine.

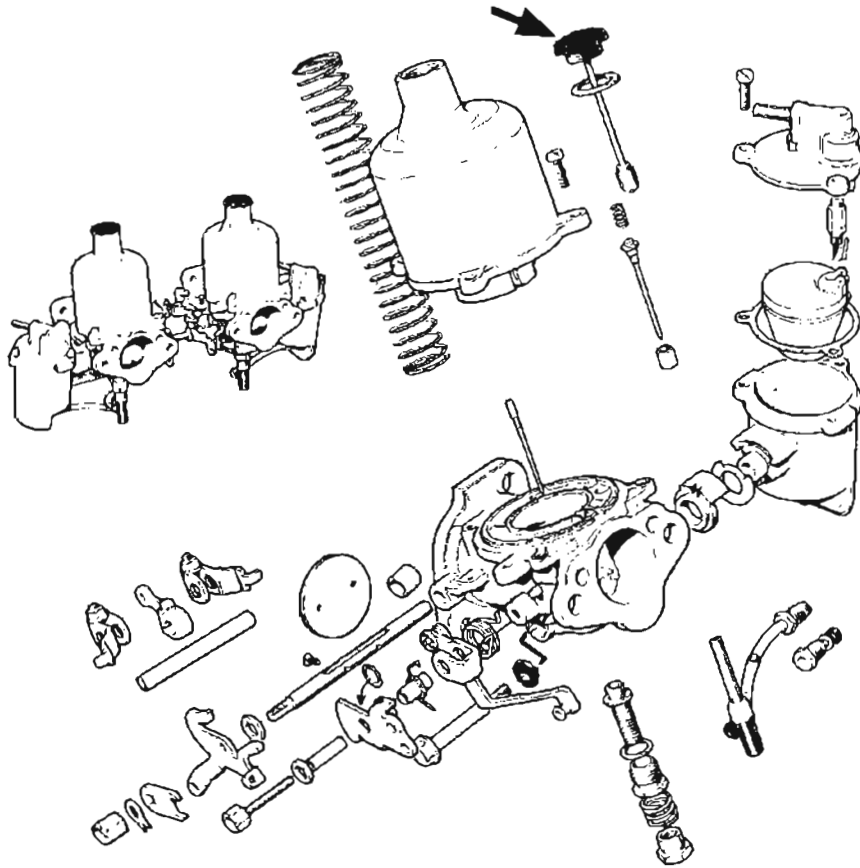
Therefore, front or left hand is the closest to the water pump or spark plug number one.

CARBURETTOR HS4



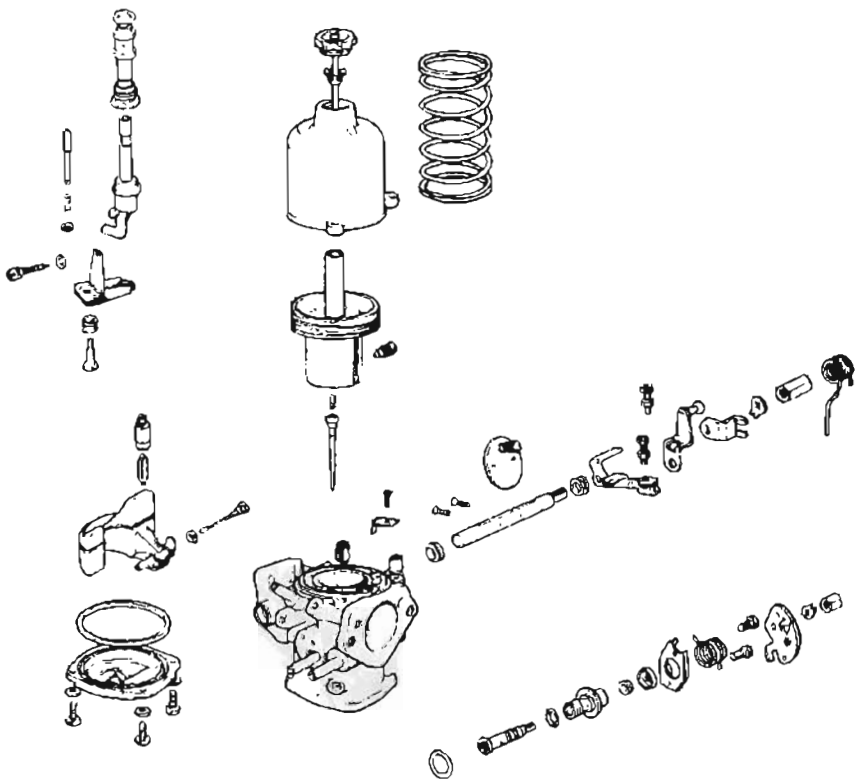
NO.	PART NO.	DESCRIPTION	QTY	REMARKS
1	AUD3913	HS4 Single carburettor 1.5" fixed needle	1	NLA
1	HS4	HS4 Single carburettor 1 5" swinging needle	1	
2	AUC8103	Dashpot damper	1	
3	AUC4387	Dashpot spring red, 4.5oz	1	
4	AUD1267	Fixed needle rich (Ml)	1	998cc auto
4	AUD1034	Fixed needle standard (AC)	1	998cc auto
4	AUD1076	Fixed needle rich (BQ)	1	1275cc
4	AUD1528	Fixed needle standard (DZ)	1	1275cc
5	CUD1015	Swinging needle (AAR) AUD453 (Carb no. AUD453)	1	1275cc
5	CUD1025	Swinging needle (ABB) FZX1047/AUD567	1	1275cc Europe
5	CUD1037	Swinging needle (ABP) AUD608	1	1098cc
5	CUD1040	Swinging needle (ABS) AUD611	1	848cc
5	CUD1045	Swinging needle (ABX) AUD679	1	998cc
5	CUD1006	Swinging needle (AAG) AUD540/AUD548	1	998cc Europe
5	IZX4005	Swinging needle (ADE) FZX1064/FZX1146	1	998cc Europe
5	NZX4006	Swinging needle (ADF) FZX1094	1	998cc
5	NZX4008	Swinging needle (ADH) FZX1142/FZX1064	1	850cc wax stat
5	CUD1002	Swinging needle (AAC) FZX1415	1	998cc wax stat
6	AUD3306	Swinging needle spring	1	
7	AUD4288	Swinging needle guide	1	
8	WZX1341	Fixed needle jet bearing kit	1	
8	WZX1442	Jet bearing kit, was WZX1340 (swinging needle)	1	
9	WZX1177	Throttle spindle	1	
10	WZX1323	Butterfly disc, with screws	1	
10	WZX1325	Butterfly disc with air valve type, with screws	1	
11	RTC5965	Butterfly screw	2	
12	AUD9451A	Jet (red plastic) black identification band	1	
12	LZX1111A	Wax stat jet (blue identification band, metal base)	1	1980 on supplied with jet
13	AUD2193	Washer	1	
14	AUD2194	Rubber seal	1	
15	AUD2129	Nut	1	
16	WZX1300	Float and pin kit	1	
17	AUC1152	Float pin	1	
18	WZX1100A	Needle valve kit	1	
18	CA90	Flojet to replace WZX1100A valve kit	1	
19	AUE266	Lid assembly with float and needle valve	1	
20	AUC8459	Float gasket	1	
21	AUD2071	Adaptor piece die cast solid not rubber	1	
22	WZX1335	Return spring kit	1	
23	JZX1394	Dashpot and floatlid screw	6	
24	AUD3080	Spindle repair bush .3125" I/D ream body to 9.5mm	2	
25	AUC1310	Float bowl chamber	1	
	WZX1852	Carburettor service kit		
	CRK227	Repair kit inc. throttle spindle/bushes and WZX1325 disc		
	CRK219	Repair kit inc. throttle spindle/bushes and WZX1323 disc		

TWIN HS4 CARBURETTOR



NO.	PART NO.	DESCRIPTION	QTY	REMARKS
1	C-AUD640	Pair of carburettors, swinging needle AAU only	1	Special Tuning
2	AUC8114	Dashpot damper	2	
3	AUC4900	Dashpot damper seal, when required	2	
4	AUC4587	Dashpot spring blue, 2.5oz	2	
4	AUC4387	Dashpot spring red, 4.5oz	2	
5	AUD1006	Fixed needle number 7	2	
6	AUD9102	Jet assembly R/H (0.09") longer pipe	1	Black band
6	AUD9098A	Jet assembly L/H (0.09") longer pipe	1	White band
6	AUD9141A	Jet assembly L/H (0.09") alternative set to AUD9098	1	Green band
6	AUD9142A	Jet assembly R/H (0.09") alternative set to AUD9102	1	Pink band
7	WZX1341	Jet bearing assembly fixed needle	2	
7	WZX1442	Jet bearing assembly swinging needle	2	
8	WZX1177	Spindle	2	
9	WZX1323	Butterfly disc with screws	2	
9	WZX1325	Butterfly disc with air valve plus screws	2	
10	RTC5965	Butterfly screw	4	
11	AUD2129	Nut	2	Supplied with jet assembly
12	AUD2193	Washer	2	
13	AUD2194	Rubber seal	2	
14	WZX1300	Float and pin	2	
15	AUC1152	Pin	2	
16	WZX1100A	Needle valve	2	
16	CA90	Flojet to replace WZX1100/1101	2	
17	AUC8459	Float gasket	2	
18	JZX1394	Float and dashpot gasket screw	12	
19	AUC1366	Grommet, rubber R/H fixed needle	1	With AUD9102
19	AUC1316	Grommet, rubber L/H fixed needle	1	With AUD9098
19	AUD2676	Grommet, rubber R/H 20° angle	1	When using AUD9142
19	AUD2677	Grommet, rubber L/H 20° angle	1	When using AUD9141
20	AUC1426	Pivot bolt	2	
21	AUC1424	Pivot nut	2	
22	AUC1318	Float chamber bolt seal	2	
23	AUE586	Lever assembly R/H	2	
24	AUE587	Lever assembly L/H	2	
25	AUC1457	Connecting rod 2.200"	2	
26	AUC1501	Lever alternative to AUE180	1	
27	AUD3080	Spindle repair bush .3125" I/D, ream body to 9.5mm	2	
28	AUD3306	Spring for swinging needle	2	
29	CUD1018	Swinging needle AAU	2	
30	AUD4288	Swinging needle guide	2	
	WZX1859	Twin carburettor service kit, jet needle valve gaskets	1	Alternative CSK59
	CRK101	Twin carb repair kit with spindle, bushes, butterflies	1	
	FZX3054	Twin HS4 carburettor kit with linkage less air cleaners	1	

HIF38 AND HIF44 CARBURETTORS



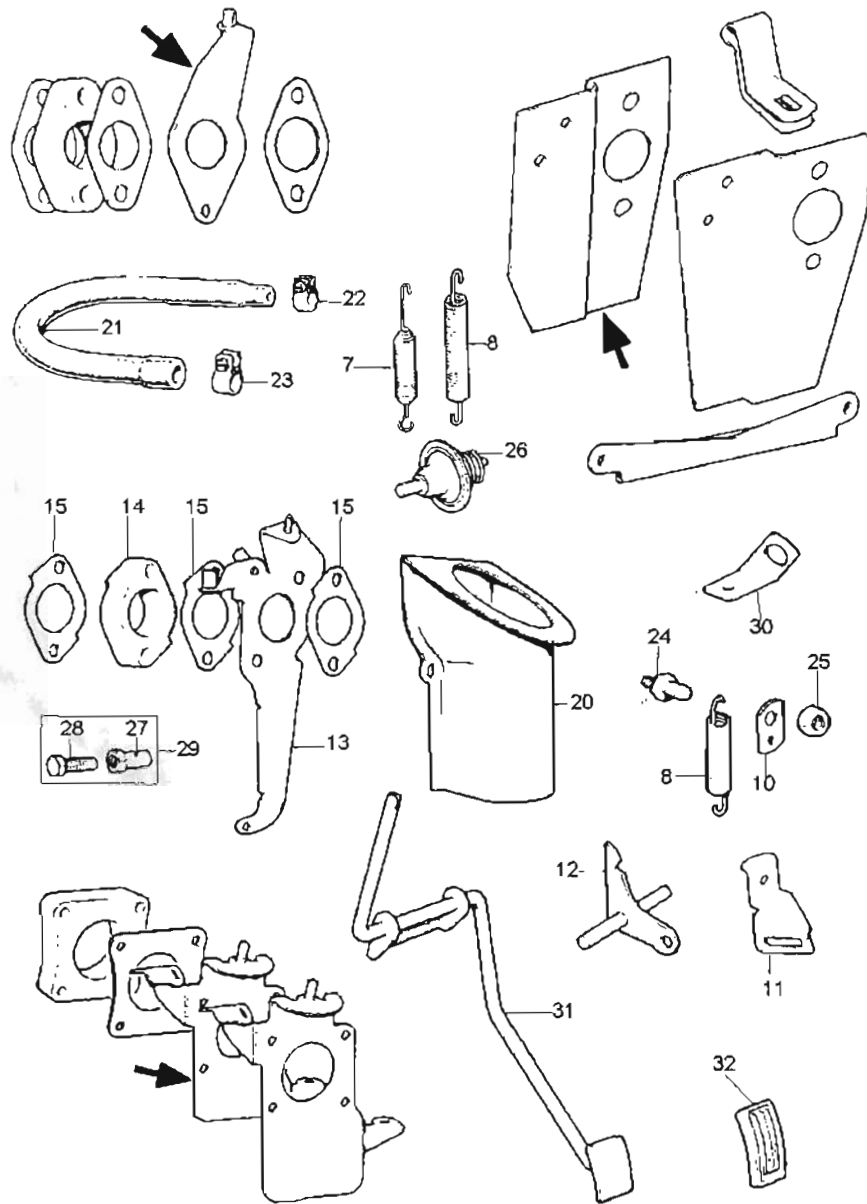
HIF38 CARBURETTOR 38mm 1.5"

NO.	PART NO.	DESCRIPTION	QTY	REMARKS
1	MAC10031	Carburettor assembly (use FXZ3004).....	1	
2	LZX1523	Suction chamber and piston assembly.....	1	
3	LZX1511	Dashpot damper.....	1	
4	AUD4251	Jet needle screw.....	1	
5	AUD4355	Dashpot spring (red) 4.5oz.....	1	Standard
5	AUD4398	Dashpot spring (yellow) 8oz.....	1	Optional
6	MGM10008	Jet assembly, was WZX2100.....	1	(WZX1455A, 0.090" jet METRO)
7	WZX1441	Bearing and needle jet kit.....	1	
8	NZX3036	Needle AEM (standard) 1300cc.....	1	
9	AUD3306	Spring for needle.....	1	
10	JZX1039	Needle guide.....	1	
11	WZX1509A	Float kit assembly.....	1	
12	CUD2082	Float spindle.....	1	
13	WZX1099A	Needle valve and seat.....	1	
14	JZX1005	Float lid.....	1	
15	AUD3588	Float lid seal.....	1	
16	CUD2399	Bi metal strip (also in WZX1257 kit).....	1	
17	WZX1126	Throttle spindle kit.....	1	
18	WZX1387	Throttle disc kit.....	1	
19	AUD3590	Float lid screw.....	4	
20	WZX1505	Gasket pack with spindle seals, plus no. 15.....	1	
	CSK94	Service kit (includes jet, needle valve and float seal).....	1	(CSK78 Metro not mini)

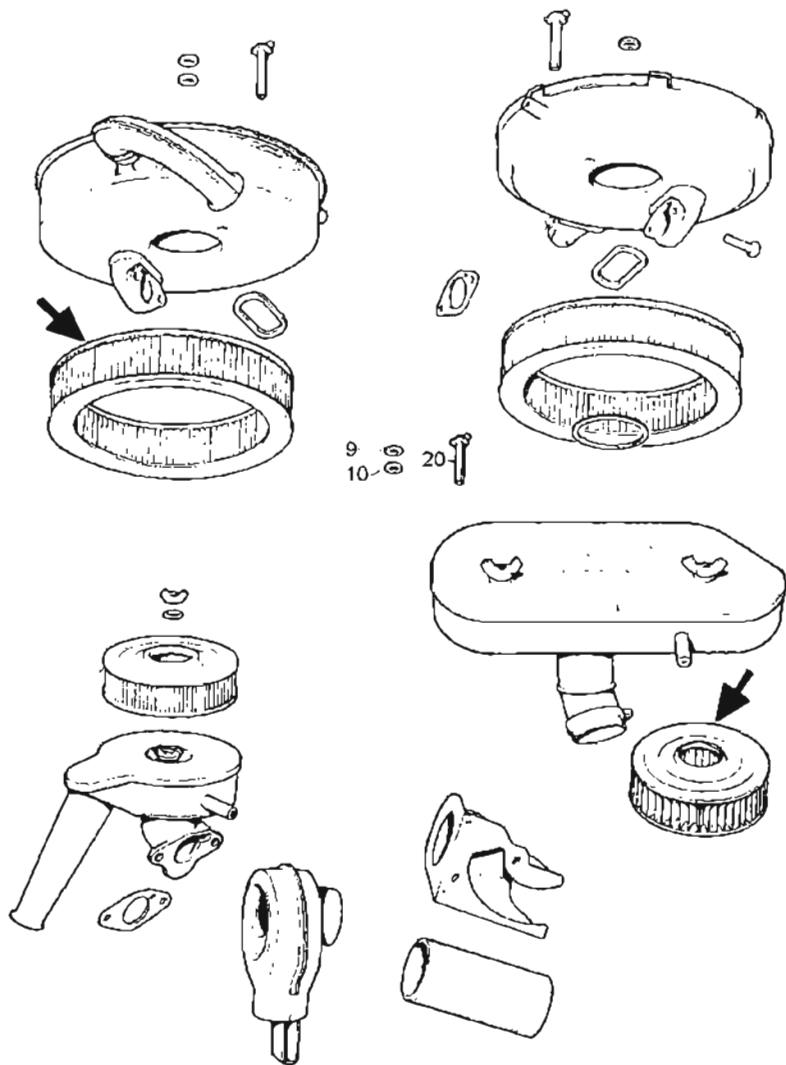
HIF44 CARBURETTOR 44mm 1.75"

NO.	PART NO.	DESCRIPTION	QTY	REMARKS
1	FZX1280	Carburettor assembly (FZX3005).....	1	
1	FZX1531	Original carburettor.....	1	
2	LZX1521	Suction chamber and piston assembly.....	1	
3	LZX2085	Dashpot damper.....	1	
4	AUD4252	Jet needle screw.....	1	
5	AUD4355	Dashpot spring (red) 4.5oz.....	1	Standard
5	AUD4398	Dashpot spring (yellow) 8oz.....	1	Optional
6	WZX1453A	Jet assembly kit was GSU402, 0.100".....	1	
7	WZX1441	Bearing and needle jet kit.....	1	
8	NZX8071	Jet needle BFY.....	1	Unleaded
8	NZX8040	Needle lean B.E.R.....	1	
9	AUD3306	Spring for needle.....	1	
10	JZX1039	Needle guide.....	1	
11	WZX1509A	Float kit assembly.....	1	
12	CUD2082	Float spindle.....	1	
13	WZX1099A	Needle valve and seat (for Turbo use WZX1095).....	1	
14	JZX1005	Float lid.....	1	
15	AUD3588	Float lid seal.....	1	
16	CUD2399	Bi metal strip (also in kit WZX1257).....	1	
17	WZX1127	Throttle spindle kit, threaded one end only.....	1	
17	WZX1128	Throttle spindle kit, threaded both ends.....	1	Most applications
18	WZX1183	Throttle disc kit.....	1	
19	AUD3590	Float lid screw.....	4	
20	WZX1505	Gasket and seal pack with spindle seals, plus no. 15.....	1	
21	CSK75	Service kit (Except turbo).....	1	
22	CRK167	Rebuild kit.....	1	

CARBURETTOR FIXINGS, THROTTLE PEDAL AND ABUTMENT BRACKETS



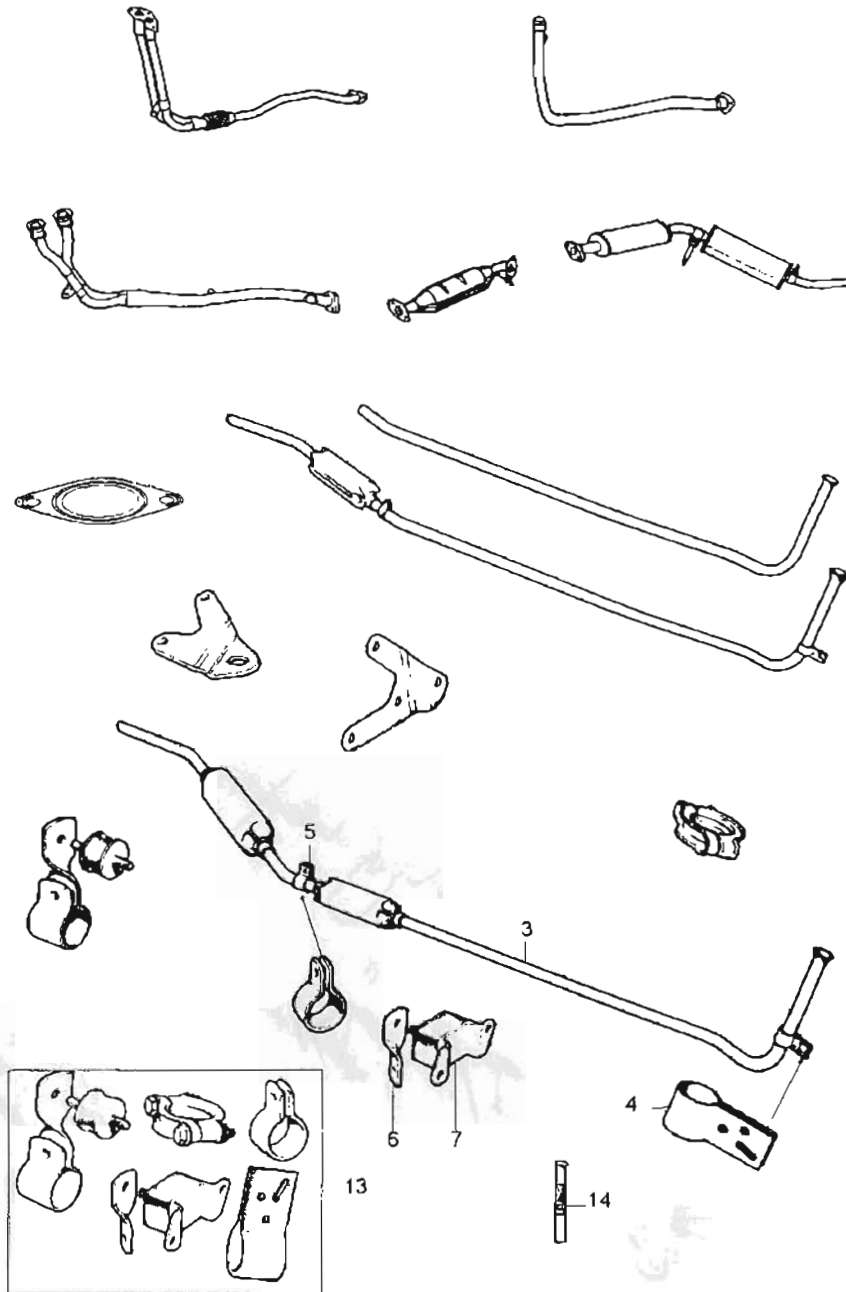
NO.	PART NO.	DESCRIPTION	QTY	REMARKS
1	1G2624B	Carburettor gasket, for HS2	A/R	
2	1G2623	Spacer for HS2, replaces 12A6 alloy type	A/R	.210"
2	MFA132	HS2 Plastic spacer with vacuum take off	1	.295"
3	12A48	Throttle abutment plate, HS2 single	1	
4	AEG352	Heat shield for HS2 twin, left (radiator side)	1	Part of MSSK8
5	12A248	Heat shield for HS2 twin, right (clutch side)	1	Part of MSSK8
6	12A621	Heat shield bridge piece	1	Part of MSSK8
7	AEC2075	Return spring for HS2 twins only	3	Part of MSSK8
	MSSK008	Black powder-coated heat shield kit, twin HS2	1 pair	
	MSSK006	Black powder-coated heat shield kit, twin HS4	1 pair	
	MSSK1005	Stainless steel heat shield kit, twin HS2	1 pair	
	MSSK1006	Stainless steel heat shield kit, twin HS4	1 pair	
8	1E5537	Return spring, throttle lever, alternative to 21A839	1	Every Mini
9	12A263	Clip for petrol pipe to heat shield	1	
10	12A4	Anchor tag for spring on carburettor	1	
11	AEG349	Throttle bracket on manifold for HS2 twin	1	
12	12A310	Throttle lever and spindle (original)	1	Use AUC1501/AUC1457
13	12G766	Abutment bracket for HS4	1	
14	12H1389	Alloy spacer for HS4	1	.535"
14	MFA338	Plastic spacer for HS4 with vacuum take off	1	.295"
15	AEC2083	Gasket for HS4	A/R	
16	CAM4942	Abutment bracket for HIF38/HIF44	1	
17	TAM1401	Abutment bracket for HIF44	1	Turbo
18	12H1477	Alloy spacer for HS6 .525" thick	1	
18	TAM1068	Plastic spacer for HIF44 carbs 0.265" thick	1	Has gaskets fitted
18	GUG5611GM	Plastic spacer for HIF44 carbs 0.432" thick, was MAX10001	1	Has gaskets fitted
18	MAX10002	Plastic spacer HIF38 carbs 0.435" thick	1	Has gaskets fitted
18	MFA446	HS6/HIF plastic spacer with vacuum take off 0.2500" thick	1	
19	88G429	Gasket for HIF and HS6, non genuine	A/R	
19	GUG705561GM	Gasket for HIF and HS6, genuine	A/R	
20	12G3213	Warm air duct	1	
21	12A1735	Emmission breather hose, carburettor to oil separator	1	
22	ACH5854	Clip, hose to carburettor	1	
23	GHC507	Clip, hose to oil separator	1	
24	ACC5062	Throttle lever pin	1	
25	GHF200	Nut for ACC5062	1	
26	13H3486	Damper for throttle	1	NLA
27	AUC5046	Trunnion, alternative to ACH9042	1	
28	AUC5047	Screw, alternative to 53K3503	1	
29	AUE34	Complete trunnion and screw	1	
30	12A5	Anchor tab for spring on exhaust clamp	1	
31	88G346	R/H/D pedal	1	NLA
31	NAM3108	Accelerator pedal R/H/D	1	1976 on
31	NAM3107	Accelerator pedal L/H/D	1	1976 on
32	GPR105	Accelerator pedal rubber	1	Pre 1976
32	GPR104	Accelerator pedal rubber	1	1976 on



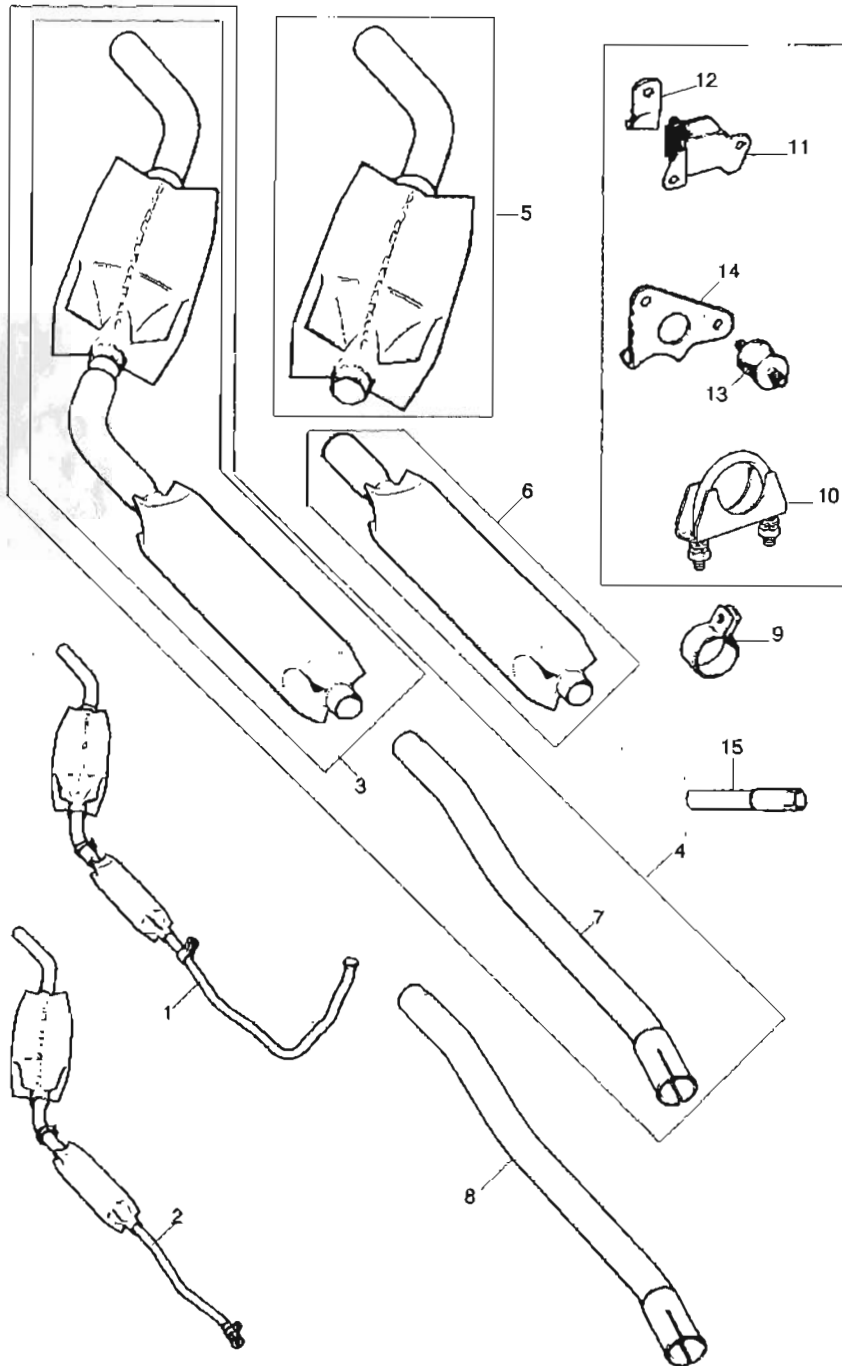
AIR CLEANER

NO.	PART NO.	DESCRIPTION	QTY	REMARKS
1	12A2007	Air cleaner assembly for single HS2 carburettor	1	NLA
2	53K2852	Air cleaner wing nut for 12A2007	1	
3	ACH5980	Fibre washer	1	CWE
4	GFE1002	Air filter element	1	
4	E9001	K & N filter replacement	1	
5	12H862	Elbow to carburettor gasket	1	
6	12G4298	Air cleaner for HS4 carburettor	1	
7	TAM2138	Air cleaner for HS4 when servo fitted	1	1989 on
8	12G1811	Wing nut bolt for 12G4298	2	
9	12A1436	Steel washer	2	
10	12A1437	Fibre washer	2	
11	GFE1008	Air filter element, original	1	
11	E260	K & N filter element replacement, alternative E2601	1	
12	12G1812	Carburettor to filter elbow, HS4	1	
12	CAM4694	Carburettor to filter elbo, HIF44	1	
13	GUG705559GM	Elbow to carburettor gasket HS4, was 12G2125	1	
13	12H4271	Elbow to carburettor gasket HIF44	1	
14	SY505071	Elbow to carburettor bolt, HS2/4 HIF6	2	
15	12A1433	Elbow to filter seal, HS2 and HS4 HIF, HS2/HS4 and HIF	A/R	
16	12G3210	Air temperature control	1	
17	12G3213	Warm air duct	1	Upto 1989
17	TAM2149	Warm air duct when servo fitted	1	1989 on
18	12H4344	Connecting hose	1	Cut to length
19	12G2294	Air cleaner assembly for HS2 twin set up	1	NLA
19	JAC311	Alternative non genuine air cleaner assembly	1	For HS2 twins
20	12G2705	Wing nut bolt for 12G2294	2	
21	GFE1038	Air filter element (alternative B19) for 12G2294	2	Cooper & 'S'
21	E9001	K & N filter element replacement	2	
	ERA1102	Air cleaner assembly for ERA Turbo	1	
	ERA1103	Air filter element	1	
	PHB10092	Air cleaner assembly for new Cooper and 1300cc	1	1990 on
	CAM6037	Air cleaner for 1300cc with catalyst	1	
	GFE1096	Air filter element for PHB100092 and CAM6037	1	Cooper and SE
	PHB10081	Air cleaner assembly for injection	1	
	GFE1143	Air filter element for PHB10081	1	

EXHAUST SYSTEM INCLUDING NEW COOPERS (NOT 1275GT AND COOPER 'S')



NO.	PART NO.	DESCRIPTION	QTY	REMARKS
1	GEX106	Single box exhaust system	1	Saloon
1	GEX107	Single box exhaust system 1967 on	1	Van/Estate/Pick up
1	GEX116	Single box exhaust system up to 1967	1	Van/Estate/Pick up
1	GEX118	Single box exhaust system up to 1967	1	NLA
2	GEX1390	Downpipe for single box	1	Saloon
3	GEX155	Twin box exhaust	1	Van/Estate
3	GEX189	Twin box exhaust	1	Saloon
4	GEX7053	Front pipe to gearbox clip	1	
5	GEX7052	Middle clip	1	
6	GEX7082	Middle clip strap	1	Saloon
6	GEX7273	Middle clip strap	1	Van/Estate
7	GEX7081	Middle exhaust mounting	1	
8	GEX7084	Rear exhaust clip	1	
8	GEX7272	Rear exhaust clip	1	Van/Estate
9	GEX7251	Rear exhaust bobbin mounting	1	
10	GEX7046	Manifold clamp	1	2 on new Cooper
10	GEX7790	Manifold clamp, for GEX12052	1	
11	GEX7337	Gearbox bracket for downpipe clip	1	Pre rod change
12	GEX7526	Gearbox bracket for downpipe clip 1974 on, rod change	1	Was GEX7088
13	GEX9551	Exhaust fitting kit, was GEX9502	1	
14	S1148R	Downpipe flexible neck repair piece	1	CWE
15	GEX7761	Gaskets for flanges on catalyst	2	When fitted
16	GEX8025	Catalyst assembly (nichel free Germany only)	1	Cooper with carb
16	GEX8026	Catalyst assembly	1	
17	GEX33479	Rear twin box assembly (to VIN 022123) to August 1990	1	Cooper with carb
17	GEX33515	Rear twin box assembly (VIN 022124 on) August 1990 on	1	Plus all Germany
17	GEX33519	Rear twin box assembly (HIF38 carb) May 1992 on	1	Plus TBI
18	GEX12043	Down pipe for TBI	1	
19	GEX12017	Twin down pipe for Cooper carburettor type	1	
20	GEX12052	Single down pipe for HIF38 carburettor type	1	May 1992 on
	GEX7779	Down pipe gasket for TBI	1	
	GEX7661	Flexible rubber hanger mounting, May 1992 on	2	



EXHAUST 1275GT / COOPER 'S'

NO.	PART NO.	DESCRIPTION	QTY	REMARKS
1	GEX121	Exhaust assembly, 1275GT only	1	
2	GEX117	Exhaust assembly, Cooper and Cooper 'S'	1	NLA
3	RC40BOX	Twin box rear exhaust assembly	1	1.625" bore
4	RC40	Twin box exhaust assembly and downpipe	1	
4	RC50	Twin box exhaust assembly in stainless steel	1	
5	C-STR809	Rear exhaust box only	1	
5	C-STR810	Rear box only, centre exit	1	
6	C-STR808	Middle box	1	
7	RC40PIPE	Downpipe for RC40 twin box system	1	Cut for LCB
8	AN180V	Downpipe when using rear box only	1	Cut for LCB
8	AN181T	Pipe from catalyst to C-STR809	1	
9	GEX7054	Downpipe to manifold clamp, except LCB type	1	Std manifold or STR816
10	GEX9007	U bolt clamps to GEX7248/9, 1.750"	2	Part of RC40FK
10	GEX9008	Clamp to join downpipe to rear box, 1.875"	1	
10	GEX9008	Clamp to join downpipe to manifold, 1.875"	1	
11	GEX7081	Middle exhaust mounting	1	
12	GEX7248	Middle hanger bracket	1	
13	GEX7251	Rear exhaust bobbin mounting	2	
14	GEX7249	Rear hanger bracket	1	
	RC40FK	Fitting kit for RC40	1	
	C-ARA334	Exhaust system with 2" bore	1	ST product

ADAPTOR SLEEVES FOR USING REAR TWIN BOX ON ALTERNATIVE SIZE PIPES, PLUS PIPE DIAMETERS.

15	991-739	1.5" I/D 1.625" O/D reducing to 1.25" I/D 1.375" O/D	1	
15	991-773	1.625" I/D 1.750" O/D reducing to 1.25" I/D 1.375" O/D	1	RC40 to GEX1390
	RC40 BOX	Twin box 1.750" I/D 1.875" O/D inlet entrance / exit 1.750" O/D 1.625" I/D bore tail pipe		
	RC40 PIPE	1.750" I/D 1.875" O/D inlet at manifold end / exit 1.750" O/D 1.625" I/D CUT INLET END OFF FOR FITTING TO STANDARD BORE LCB		

C-STR809 Inlet 1.750" I/D 1.875" O/D inlet / exit 1.750" O/D 1.625" I/D bore pipe end

REAR BOX

C-STR808

MIDDLE BOX

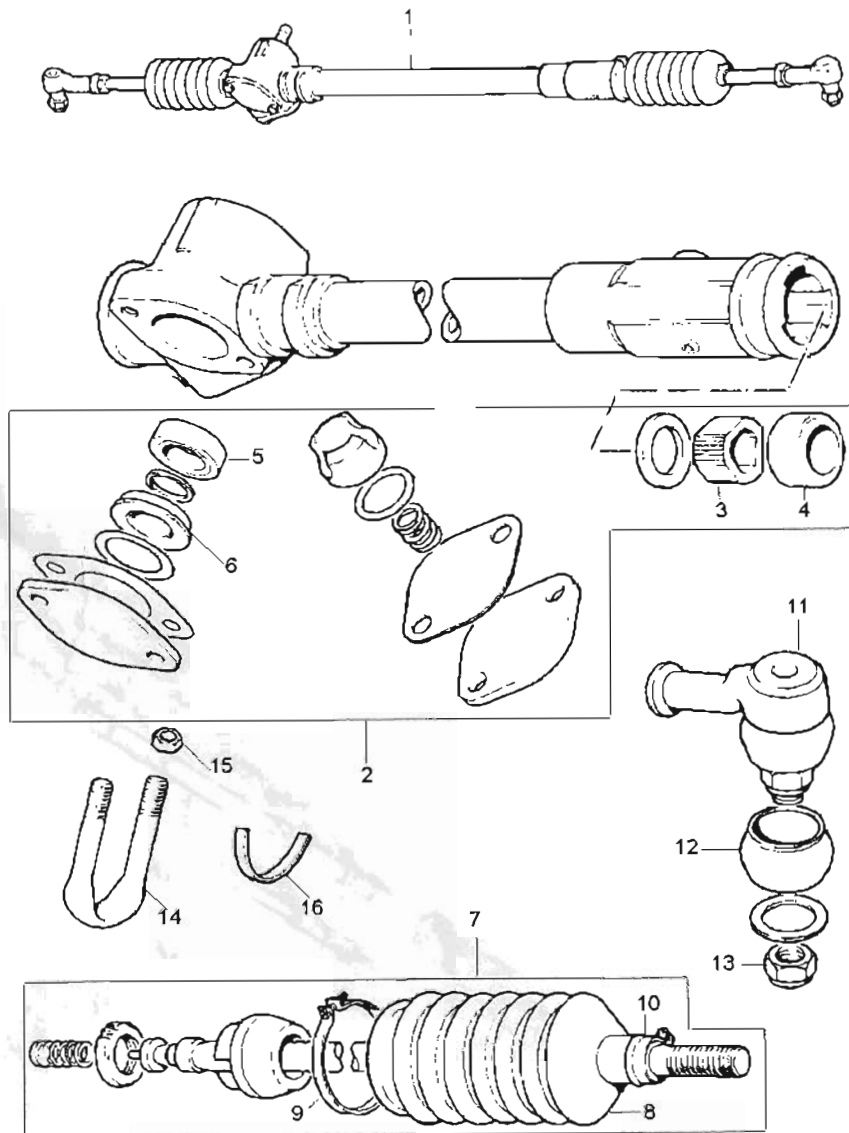
1.750" I/D 1.875" O/D inlet / outlet 1.750" O/D 1.625" I/D (used as rear race box also) upswept chrome end has 7" long inlet pipe, 16.75" silencer and a 16" swept up tail pipe. On the RC40 standard system the silencer is 14.75" long.

ALL EXHAUST BOXES ARE NOW ROUND FLANGES AND NOT CRIMPED EDGES AS SHOWN.

CONVERSION CHART SIZES:

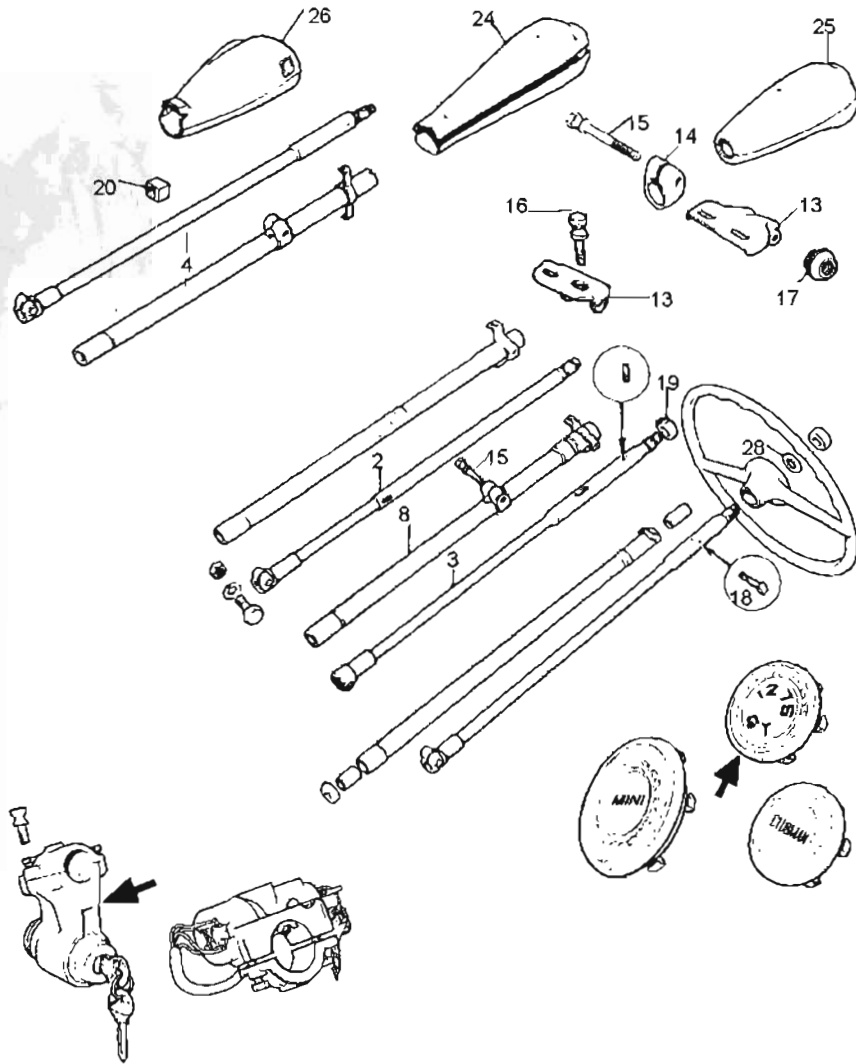
1/4"	0.25"
3/8"	0.375"
1/2"	0.50"
5/8"	0.625"
3/4"	0.750"
7/8"	0.875"

STEERING RACK



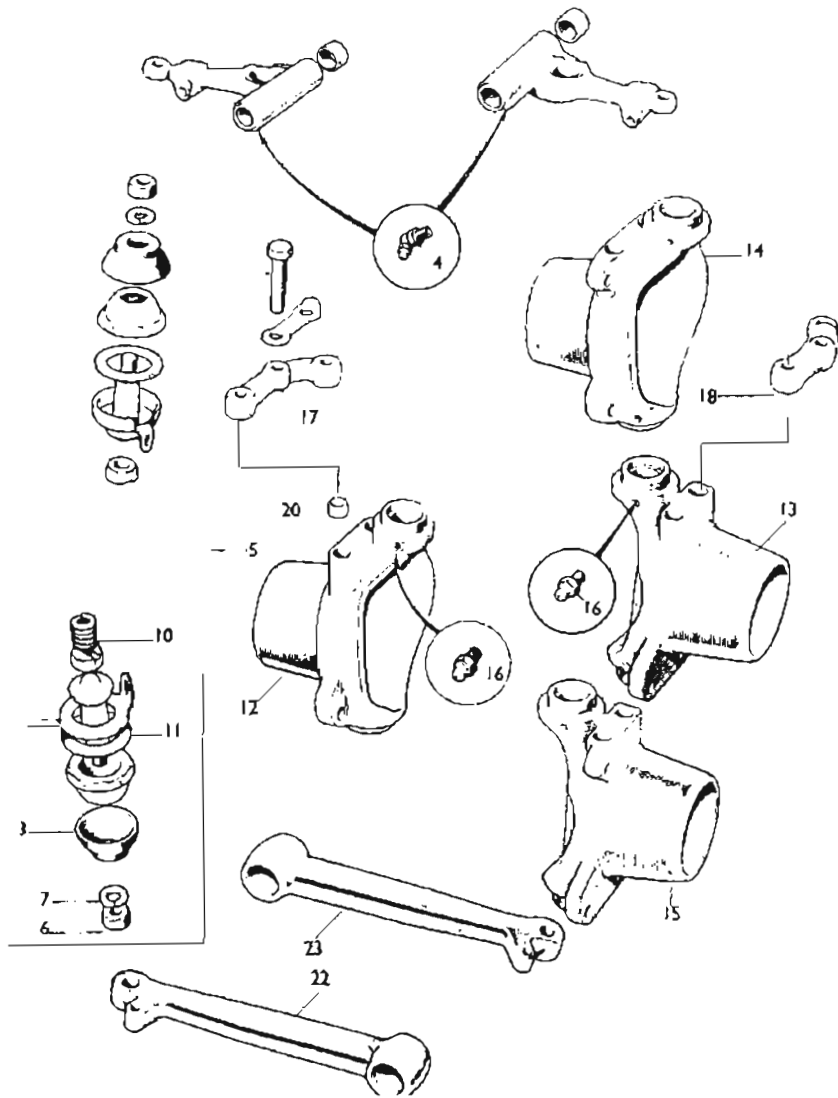
NO.	PART NO.	DESCRIPTION	QTY	REMARKS
1	AAU6950	GSR307E Steering rack	1	MKII
1	GSR358E	Unipart top quality recon. rack with track rod ends	1	MKII on
1	GSR626E	Unipart reconditioned rack less track rod end	1	MKII on
1	FAM7307	L/H/D new non Rover	1	MKII on
1	FAM7307MS	Reconditioned L/H/D rack	1	MKII
1	GSR158	Genuine Rover rack new L/H/D	1	MKII on
1	GSR157	Genuine Rover rack new R/H/D	1	MKII on
2	GSV1052	Repair kit, discontinued October 1993	1	N.L.A.
3	37H8064	Steering rack nylon bearing	1	
4	37H2079	Metal spacer	1	
5	88G499	Oil seal	1	
6	BTA662	Bearing, (NLA separately, part of GSV1052)	1	NLA
7	GSV1009	Tie rod repair kit	1	1968 on
8	BHM7113	Gaiter kit rubber	1 pr	
8	GSV1153	Gaiter kit genuine with clips, (rubber)	1 pr	
8	GSV1056	Rover gaiter kit for GSR157/8 (plastic gaiter)	1 pr	
8	17H6298	Gaiter rubber, single without clips	2	
9	CCA35	Inner seal clip	2	Not GSR157/8
10	ACH5854	Outer seal clip	2	
11	GSJ734	Track rod end, genuine	2	Was GSJ291
11	GSJ734MS	Track rod end, non genuine	2	
12	17H3481	Gaiter (part of track rod)	2	NLA
13	GHF223	Nut, supplied on track rod	2	
14	2A6208	U Bolt, rack to body	2	
15	GHF222	U Bolt nut	4	
16	21A2553	Anti-friction packing piece plastic strip	2	

STEERING COLUMNS, LOCKS AND COWLINGS



NO.	PART NO.	DESCRIPTION	QTY	REMARKS
1	21A1871	Inner column MK1 has recess for horn wires, NLA	1	Use 21A2069 and machine
1	21A2069	Inner column MK2	1	No steering lock
2	21A2437	Inner column when steering lock, NLA	1	Use FAM5285
3	FAM5285	Inner column	1	Steering lock
3	FAM5285MS	Inner column, non genuine	1	Steering lock
4	NAM8527	Inner column and outer column complete	1	1985 on
5	FAM2406	Steering column top bush	1	Was 31G120
5	NAM8553	Steering column top bush	1	1985 on
6	GSV1127	Steering column lower felt bush	1	Was 21A998
6	NAM8563	Steering column lower bush	1	1985 on
7	21A2066	Outer steering column	1	Non steering lock pre 1976
8	21A2436	Outer steering column	1	With steering lock pre 1976
9	21A30	Rack to body seal	1	
10	BH604111	Steering column lower pinch bolt	1	
11	GHF331	Spring washer	1	
12	GHF200	Nut	1	
13	21A2463	Clip to body bracket	1	Steering lock only
14	21A2666	Column to bracket clip	1	Steering lock only
15	51K4006	Column to clamp bolt	1	2.69" long
16	51K4002	Clip to body shear bolt	2	1.45" long
17	21H295	Nut, bracket to column	1	
18	21A2080	Actuator pin for indicators - non steering lock	1	
19	21H208	Plastic actuator clip, use 21A2661	1	1970 on
20	21A2661	Actuator for indicator switch	1	1976 on
21	18G8892	Steering lock (key enters from side), R/H/D	1	To 1976
22	BHM7107	Steering lock (key enters in front of driver)	1	1976 on
23	51K4001	Steering lock shear bolt	2	
24	8G6027	Plastic column cowl MK1	1	NLA
25	8G6035	Plastic column cowl MK2/3	1	No steering lock
25	18G8803	Plastic column cowl M2/3, CWE	1	With steering lock
26	BHM7085	Plastic column cowl MK4	1	Twin stalks
26	BHM7361	Plastic column cowl	1	ERA Turbo
27	ACH6001	Steering wheel nut	1	
28	53K3480	Shakeproof washer	1	
29	21A2252	Mini motif for steering wheel	1	CWE
30	21A2228	Clubman motif for steering wheel	1	CWE
31	21A2324	1275GT motif for steering wheel	1	NLA

FRONT SUSPENSION



NO.	PART NO.	DESCRIPTION	QTY	REMARKS
1	21A2690	Upper arm R/H, rubber cone	1	
2	21A2691	Upper arm L/H, rubber cone	1	
1	21A1479	Upper arm R/H, hydrolastic	1	CWE
2	21A1482	Upper arm L/H, hydrolastic	1	NLA
3	88G302	Needle roller bearing, upper arm	4	
4	UHN445	Grease nipple, upper arm	2	
5	GSJ166MS	Swivel pin kit, non genuine	2 sets	
5	GSJ166	Swivel pin kit, genuine	2 sets	
6	FNZ507	Nut	4	
7	LWZ307	Spring washer	4	
8	BTA377	Dust cover	4	
9	2A4238	Locktab	4	All in GSJ166
10	21A370	Spring	2	
11	2A4240	Washer 0.005" (.127mm)	A/R	
11	2A4241	Washer 0.010" (.254mm)	A/R	
12	21A371	Swivel hub R/H	1	Drum brakes
13	21A372	Swivel hub L/H	1	Drum brakes
14	FAM2390	Swivel hub R/H, was BTA186	1	Disc brakes
15	FAM2391	Swivel hub L/H, was BTA187	1	Disc brakes
16	LN10051	Grease nipple, hub, was UHN400	4	
17	BTA896	Steering arm R/H	1	Except Cooper 'S' 1275GT
18	BTA897	Steering arm L/H	1	Except Cooper 'S' 1275GT
17	BTA894	Steering arm R/H, pre 1974	1	Cooper 'S' 1275GT only
18	BTA895	Steering arm L/H, pre 1974	1	Cooper 'S' 1275GT only
19	2A4315	Steering arm bolt	4	
20	FAM6924	Steering arm dowel, was 2A4314	4	
21	2K5377	Locktab	2	
22	21A1879	Lower arm R/H (tapered bush hole), use 21A1882 bush	1	
23	21A1881	Lower arm L/H (tapered bush hole), use 21A1882 bush	1	
22	ERA1038	Lower arm R/H	1	ERA Turbo with 13" wheels
23	ERA1039	Lower arm L/H	1	ERA Turbo with 13" wheels
23	C-AJJ3364	Lower arm kit (negative camber)	1 pr	

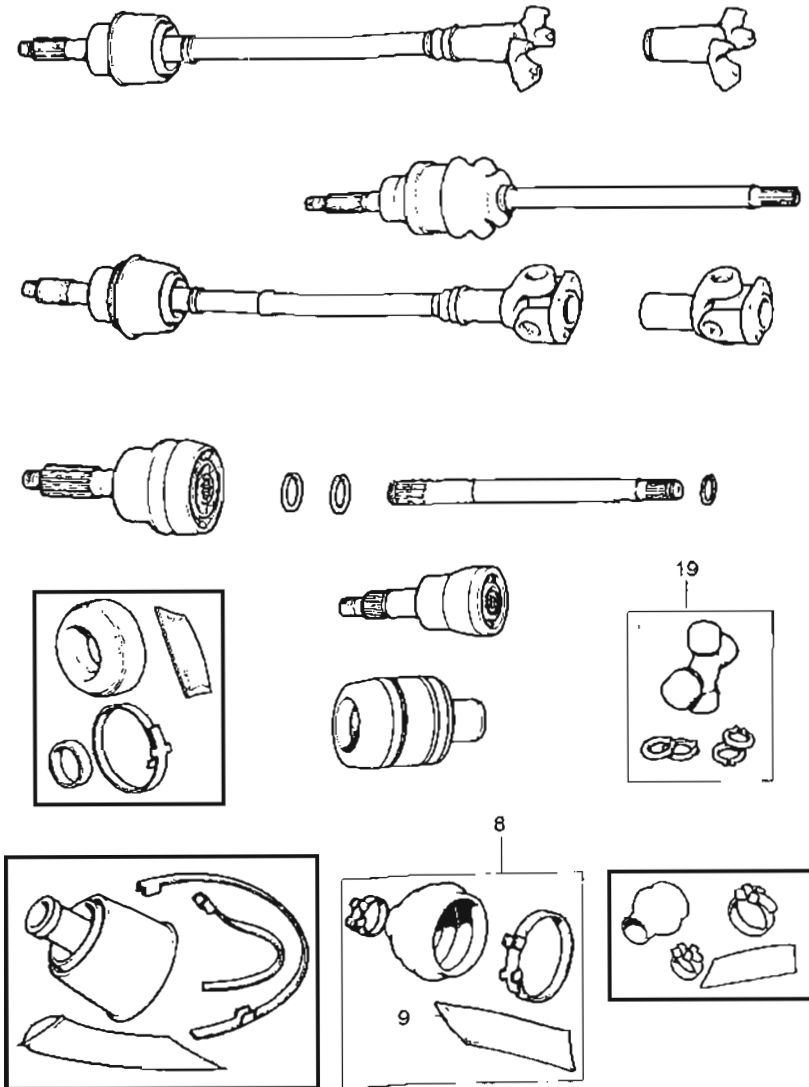
DRIVE SHAFTS

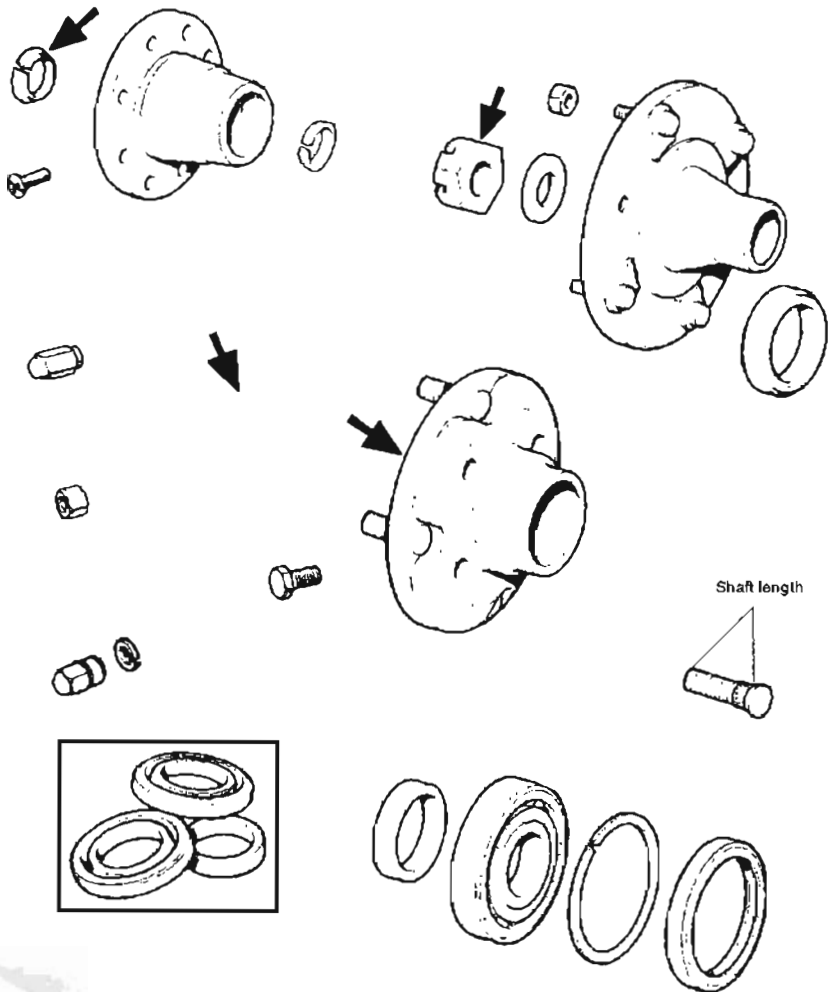
DRIVE SHAFTS WITH CONSTANT VELOCITY JOINT NUT OF 1 1/8 AF SOCKET

NO.	PART NO.	DESCRIPTION	QTY	REMARKS
1	21A1760	R/H driveshaft rubber coupling type, CWE	1	997/998 Cooper
1	21A1761	L/H driveshaft.....CWE	1	Minis pre discs
2	GCV1104	R/H driveshaft less pot joint was 22A1961/ADU6282	1	Drum brakes 73 on
2	GCV1103	L/H driveshaft less pot joint was 22A1960/ADU6281	1	Drum brakes 73 on
3	21A1852	R/H driveshaft, automatic	1	CWE
3	21A1854	L/H driveshaft, automatic	1	CWE

DRIVE SHAFTS WITH LARGE CV JOINT NUT 1 5/16 AF SOCKET SIZE

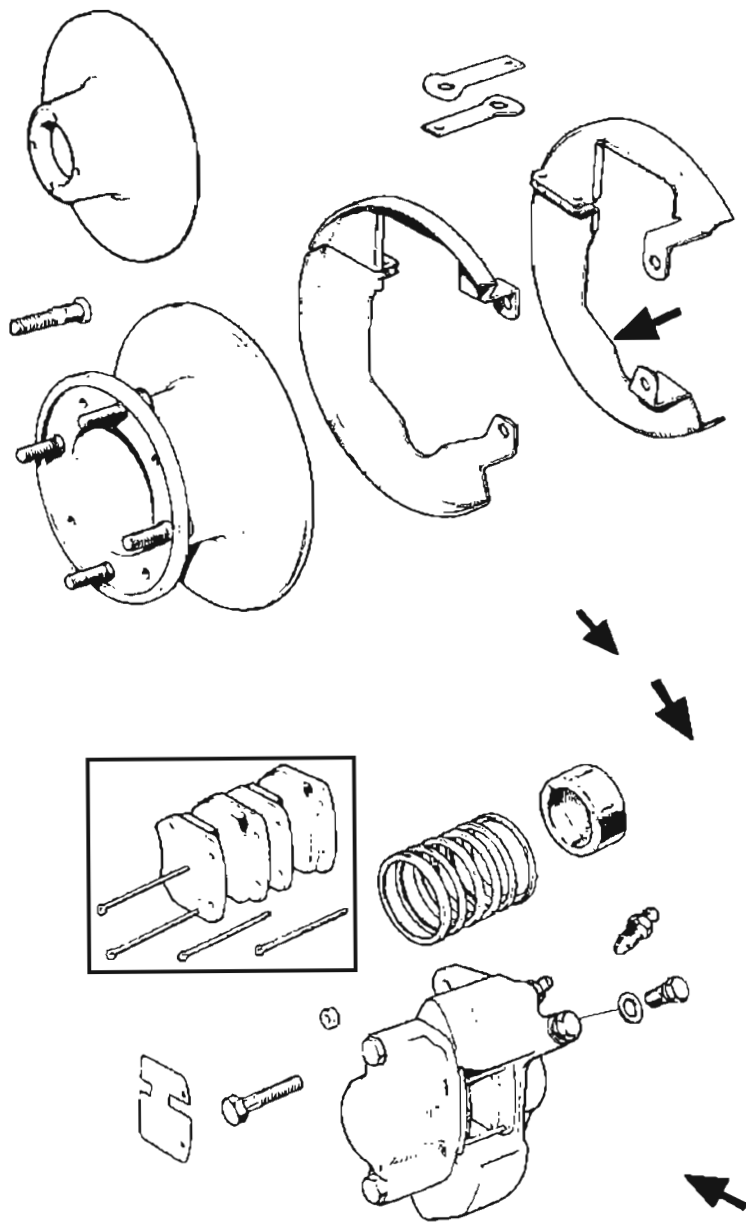
NO.	PART NO.	DESCRIPTION	QTY	REMARKS
1	21A2295	R/H driveshaft, rubber coupling type, CWE	1	1275GT/'S'
1	21A2296	L/H driveshaft, rubber coupling type, CWE	1	1275GT/'S'
2	GCV1100	R/H driveshaft less pot joint, was 22A1963/ADU4402	1	Disc except 'S'
2	GCV1101	L/H driveshaft lesspot joint, was 22A1962/ADU4403	1	Disc except 'S'
3	21A1857	R/H driveshaft Hardy Spicer type, CWE	1	Cooper 'S'
3	21A1858	L/H driveshaft Hardy Spicer type, CWE	1	Cooper 'S'
4	27H4775	R/H shaft only, except inboard pot joint type	1	Upgraded material spec.
4	27H4776	L/H shaft only, except inboard pot joint type	1	Upgraded material spec.
4	MS1246	R/H shaft only, inboard pot joint only all 1973 on	1	Upgraded material spec.
4	MS1247	L/H shaft only, inboard pot joint only all 1973 on	1	Upgraded material spec.
5	GCV1105	Outer constant velocity joint was 17H8600	2	1 1/8 AF socket size
6	GCV1013	Outer constant velocity joint was BAU4444	2	1 5/16 AF socket size
7	GSV1185	Heavy duty gaiter kit for GCV1105, genuine	2	
7	GDG233	Budget gaiter kit for GCV1105, genuine	2	
7	18G9027MS	Gaiter kit for either type CV joint (Does not foul hubs)	2	Universal fittings
8	GSV1053	Heavy duty gaiter kit for GCV1013, genuine	2	
8	GDG202	Budget gaiter kit for GCV1013, genuine	2	
9	AKF1457	Grease for CV joint	A/R	In gaiter kit
10	37H8706	Circlip inner, CV joint was 17H8596	2	Extra for pot joint
11	17H8597	Circlip outer, CV joint thick	2	
12	GCV1102	Inboard pot joint, was DAM667/ADU4378	2	
13	37H8705	Oil seal for pot joint - to shaft	1	NLA
14	GSV1073	Heavy duty gaiter for GCV1102 was BHM7205, genuine	2	
14	GDG234	Budget gaiter kit for GCV1102, genuine	2	
14	BHM7012	Gaiter kit for GCV1102, non genuine	2	
15	21A1696	Flange for rubber coupling type	2	
16	GSV1192	Heavy duty gaiter kit for 21A1696/27H7880, genuine	2	
16	18G9029	Budget gaiter kit for 21A1696/27H7880, non genuine	2	
17	21A963	Gaiter only	2	As used on Hilo kit
18	27H7880	Hardy Spicer sliding joint	2	Auto and 'S'
19	GUJ101	Universal joint repair kit	2	Auto and 'S'





DRIVING FLANGES AND FRONT WHEEL BEARINGS

NO.	PART NO.	DESCRIPTION	QTY	REMARKS
1	GHS173	Oil seal with protector shield inner	2	
1	GHS101	Oil seal outer	2	
2	2A4361	Spacer, 0.094" 2.38mm seal to inner bearing, N.L.A.	2	Disc brakes except Cooper
2	21A1307	Spacer, 0.229" 5.81mm seal to inner bearing, N.L.A.	2	Drum brakes and Cooper
3	GHK1018	Bearing kit with seal	2	
3	GHK1140	Timken kit with seals, was GHB143.	2	
4	GHB113	Bearing, early type without built in spacer	NLA	
4	GHB211	Bearing with built in spacer	2	Use kit GHK1018
5	21A233	Bearing spacer for early type GHB113 only	4	
6	21A231	Drive flange, drum brakes only	4	850/1000cc
6	BTA191	Drive flange, 997/998cc Cooper	2	7" brake disc
7	21A1270	Drive flange, Cooper 'S' 1275GT, 7.5" brake disc	2	With 10" wheels
8	21A2695	Drive flange, 8.4" brake disc, GT '74 on, all Mini's '84 on....	2	12" wheels
8	NAM6450F	Drive flange, Turbo Metro/ERA 8" vented disc	2	
9	SF604061	Drive flange to brake disc screw	8	For 21A1270
9	CMZ407	Drive flange to brake disc screw	8	For BTA193
10	BTA370	Drive flange to brake disc bolt	8	21A2695
10	ADU6472	Drive flange to brake disc bolt	8	For GBD496
11	2A4295	Collar for rear of 21A231/BTA191 drive flange	2	Drum brakes and Cooper
12	FAM9270	Outer tapered collar was BTA243, with BTA249 only	2	All disc except Cooper
13	BTA663	Inner collar on very early 21A1270 flanges	2	Deleted by 1966
14	2A7323	Washers, for use with 21A79 only	2	Drum brakes Cooper
15	21A79	Nuts, all drum brakes and Cooper	2	1 1/8 AF socket size
15	BTA249	Nuts, disc type except Cooper	2	15/16 AF socket size
16	NAM5645	Studs for NAM6450F/21A2695	8	Replaces BTA339
16	BTA339	Studs, 1.1875" (30mm) shaft length, thread length 0.800" ..	8	Now NAM5645
16	21A2064	Studs, Mini and 'S' 1.375" (35mm) shaft length	8	Thread length 0.875"
16	21A2064L	Studs, Mini and 'S' 2.000" (50.8mm) shaft length	8	Thread length 1.1250"
17	88G322	Wheel nuts, round radius chamfer angle	8	
17	113087	Wheel nuts, 60° chamfer angle	8	Steel wheels 1985 on
18	GAW115	Mini special 10" alloy wheel use with GAW116 cover	8	1979 on
18	NAM9075	Latest Cooper wheel nuts (Minilite lookalike)	8	
18	FAM5701	Late Mini 10" hub cap round radius chamfer angle	8	
18	FAM3721	Wheel nuts for 10" hub cap 60° chamfer angle	8	Mini City
18	AJM1139	Wheel nuts for 12" hub cap 60° chamfer angle	8	Mayfair 1985 on
18	FAM4010	Wheel nuts for Denovo, Rostyle	8	NLA
18	FAM64	Wheel nuts for 12" hub cap on 1275GT only	8	NLA
19	FAM2563	Washers for FAM5701/3721	8	
19	FAM65	Washers for FAM64	8	
20	CN1	Chrome wheel nuts	8	Alternative to 88G322
20	AHA8785	Chrome wheel nuts, 60° chamfer dome - 1275GT Rostyle ..	8	Weller steel, use COSMIC5
20	COSMIC5	Chrome wheel nuts, 60° chamfer angle	8	Weller steel and Rostyle



FRONT BRAKES (DISC TYPE)

NO.	PART NO.	DESCRIPTION	QTY	REMARKS
1	27H4652	997 Cooper caliper R/H (uses 2.120" wide pad).....CWE.....	1	Fits 7" disc
1	27H4653	997 Cooper caliper L/H (uses 2.120" wide pad).....CWE.....	1	Fits 7" disc
1	27H4654	998 Cooper caliper R/H (uses 2.335" wide pad).....CWE.....	1	CWE fits 7" disc
1	27H4655	998 Cooper caliper L/H (uses 2.335" wide pad).....CWE.....	1	CWE fits 7" wide disc
1	27H4656	'S' and 1275GT caliper R/H, up to 1974.....	1	Fits 7.5" wide disc
1	27H4657	'S' and 1275GT caliper L/H, up to 1974.....	1	Fits 7.5" wide disc
1	GBC141	Late 1275GT, all 1984 models on, caliper R/H.....	1	Fits 8.4" wide disc
1	GBC138	Late 1275GT, all 1984 models on, caliper L/H.....	1	Fits 8.4" wide disc
1	GBC131	Vented type caliper, Turbo and Metro (4 pot).....	1	8.4" vented disc
1	GBC132	Vented type caliper, Turbo and Metro (4 pot).....	1	8.4" vented disc
2	17H8764	Seal between caliper halves 7" and 7.5" disc type.....	2	Cooper and 'S'
2	17H7679	Seal between caliper halves, GBC 138/141.....	2	8.4" disc
3	GRK5009	997/998 caliper piston seal kit was 8G8587.....	2	Cooper
3	GRK5006	Caliper piston seal kit for 27H4656/7 was 8G8830.....	2	'S' 1275GT
3	GRK5008	Caliper piston seal kit for GBC138/141 was 8G8668.....	2	Late Mini/1275GT
3	GRK5003	Caliper piston seal kit for GBC131/2 was BAU1785.....	2	Turbo and Metro
4	3H2428	Bleed nipple, except Turbo.....	2	
4	RTC1466C	Bleed nipple, Turbo and Metro.....	A/R	
5	17H7913	Caliper piston 997/998 Cooper for 7" disc.....	4	1.618" diameter
5	SAAS501	Caliper piston Cooper 'S' was 17H8626 for 7.5" disc.....	4	1.715" diameter
5	SAAS1021	Caliper piston Metro/Turbo Mini.....	8	1.414" diameter
5	114713	Caliper piston for 8.4" disc (caliper GBC138/141).....	4	2.0" diameter
6	GBP101	997cc pad set less pin.....	1	2.120" pad width
6	GBP102AF	998cc pad set less pin (DDB19).....	1	2.335" pad width
6	GBP103AF	Cooper 'S' 1275GT pad set less pin.....	1	2.865" pad width
6	GBP281AF	1275GT and all Mini 1984 on (12" Roadwheel).....	1	2.920" pad width
6	GBP258AF	Metro/Mini (4 pot caliper).....	1	3.300" pad width
6	GBP90306AF	Turbo Mini and Metro.....	1	3.300" pad width
6	GBP90307AF	Latest Mini 1300 and fuel injected Cooper.....	1	2.920" pad width
7	17H8630	Anti squeal shim.....	4	No longer required
8	53K1048	Caliper to hub bolt.....	4	
9	GHF332	Washer.....	4	
10	GDB101	Brake disc, upgraded quality made in England.....	2	7.5" diameter
10	GBD101MS	Brake disc, was 21A1265MS, imported.....	2	7.5" diameter
10	BTA193	Brake disc, 997/998 Cooper.....	2	7" diameter
11	21A2064	Wheel stud.....	8	Not 8.4" disc
11	21A2064L	Wheel stud (.500" longer).....	8	Not 8.4" disc
12	21A2612MS	Brake disc 8.4" wide, non genuine.....	2	For 12" wheels
12	GBD90806	Brake disc 8.4" wide, genuine.....	2	For 12" wheels
12	GBD496	Vented disc 8.4" wide.....	2	Turbo vented
13	21A1273	R/H top disc cover 7.5" disc only.....	1	All 'S' and early GT
14	21A1274	L/H top disc cover 7.5" disc only.....	1	All 'S' and early GT
15	21A1271	R/H lower disc cover 7.5" disc only.....	1	All 'S' and early GT
16	21A1272	L/H lower disc cover 7.5" disc only.....	1	All 'S' and early GT
13	21A2613	R/H top disc cover 8.4" disc only.....	1	Need slight modification when used for vented disc
14	21A2617	L/H top disc cover 8.4" disc only.....	1	
15	21A2614	R/H lower disc cover 8.4" disc only.....	1	
16	21A2618	L/H lower disc cover 8.4" disc only.....	1	
17	BTA1208	R/H support bracket.....	1	
18	BTA1209	L/H support bracket.....	1	
19	PMZ307	Screw to join disc shields.....	4	Not shown
20	GHF206	Nut for PMZ307.....	4	

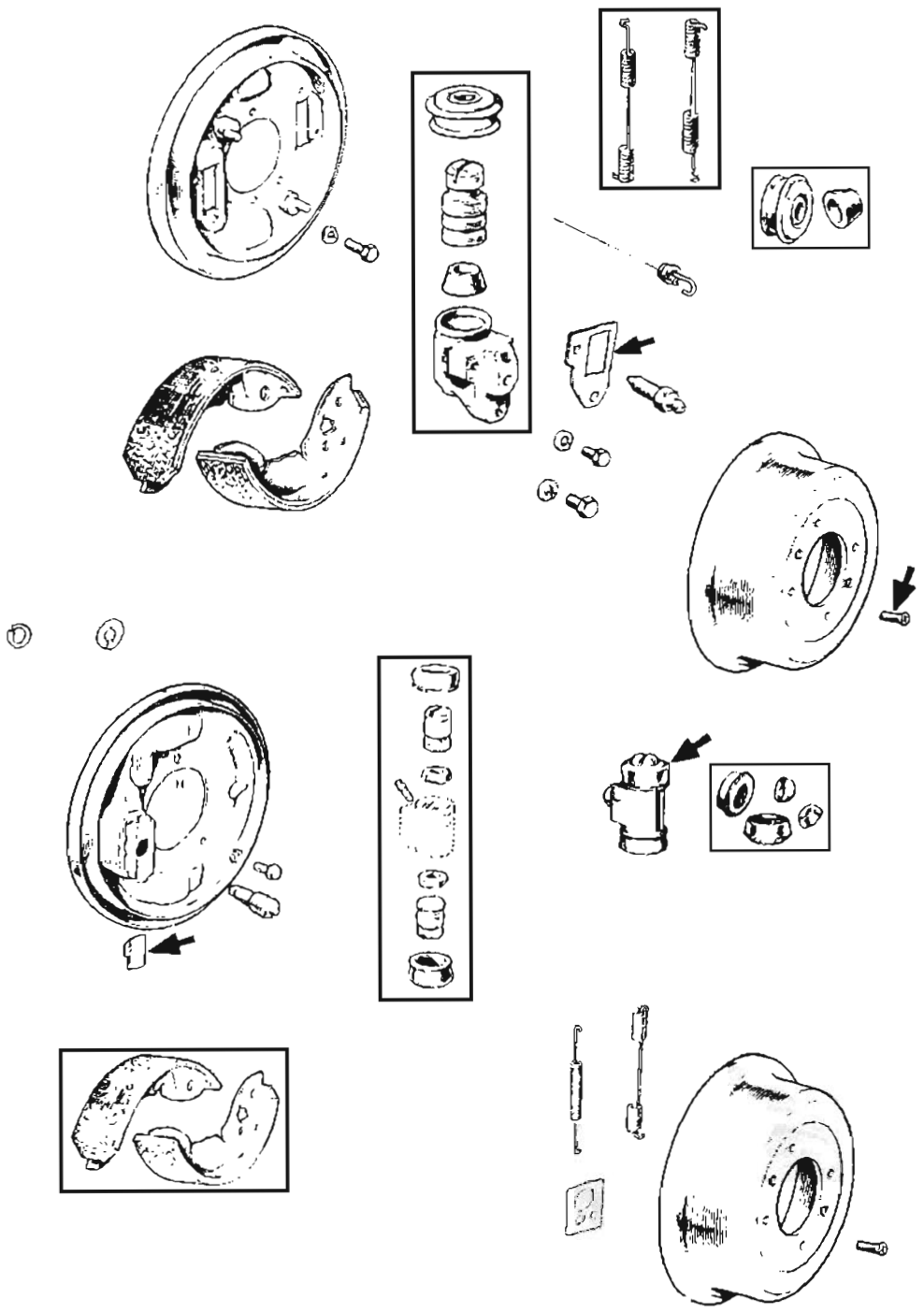
FRONT DRUM BRAKES 1964-1984 - ALL HYDROLASTIC AND DRY SUSPENSION 1964 ON

NO.	PART NO.	DESCRIPTION (KNOWN AS TWIN LEADING SHOES)	QTY	REMARKS
1	17H8145	R/H backplate, stamping number 112906RH, CWE	1	MK1 only
1	17H8159	L/H backplate, stamping number 112907LH, CWE	1	MK1 only
1	37H2013	R/H backplate, stamping number 4561-732RH	1	MK2 on
1	37H2014	L/H backplate, stamping number 4461-733LH	1	MK2 on
2	21A1299	Backplate to hub bolt	6	Was SH605051
3	GHF332	Spring washer	6	
4	GBS102MS	Brake shoe set (4 shoes)	1	1.5" wide
4	GBS733	Brake shoe set, Unipart manufacture (4 shoes)	1	1.5" wide
5	AAU8243	Brake shoe spring	1	Was 17H8184
6	AAU8243	Brake shoe spring	1	Was 17H8185
7	GWC102	R/H wheel cylinder for 17H8145 backplate	2	MK1 only
7	GWC103	L/H wheel cylinder for 17H8159 backplate	2	MK1 only
7	GWC126	R/H wheel cylinder for 37H2013 backplate	2	MK2 on
7	GWC127	L/h wheel cylinder for 37H2014 backplate	2	MK2 on
8	8G8816	Wheel cylinder repair kit for GWC102/3 and SSB554	4	.8125" bore size
9	GRK2002	Wheel cylinder repair kit for GWC126/7	4	.9375" bore size
9	3H2428	Bleed nipple	2	
10	37H3833	Gasket for cylinder to backplate	4	
11	SH604031	Wheel cylinder to backplate small bolt	4	Was 7H7520
12	GHF331	Spring washer	4	
13	SH605051	Wheel cylinder to backplate large bolt	4	
14	GHF332	Spring washer	4	
15	27H3753	Cylinder to shoe spring on GWC126/7 only	4	Must be fitted
16	GDB105	Brake drum, was 21A22	2	
17	CMZ407	Brake drum screw	4	

FRONT DRUM BRAKES (SINGLE CYLINDER) TO FEBRUARY 1964

BRAKES FITTED ON SALOONS UNTIL INTRODUCTION OF HYDROLASTIC SUSPENSION

NO.	PART NO.	DESCRIPTION (KNOWN AS SINGLE LEADING SHOE)	QTY	REMARKS
18	17H7615	R/H backplate, stamping number 101601RH	1	Use 17H2476
18	17H7616	L/H backplate, stamping number 101602LH	1	Use 17H2477
18	17H2476	R/H backplate, stamping number 113513	1	CWE
18	17H2477	L/H backplate, stamping number 113514	1	CWE
19	21A1299	Backplate to hub bolt	6	Was SH605051
20	GHF332	Spring washer	6	
21	GBS101MS	Brake shoe set (4 shoes)	1	1.25" wide
21	GBS701	Brake shoes set, Unipart manufacture (4 shoes)	1	1.25" wide
22	17H8092	Brake shoe spring, cylinder end	2	
23	17H7621	Brake shoe spring, adjuster end	2	
24	GWC101	Wheel cylinder	2	
25	GRK2013	Wheel cylinder repair kit	2	Was 8G8254
26	513118	Bleed screw was 17H7623	2	
27	17H7622	Wheel cylinder to back plate locating spring	2	Use 17H7949
28	17H7949	Wheel cylinder to back plate clip	2	
29	37H4642	Wheel cylinder to plate gasket	2	
30	17H7619	Brake shoe adjuster	2	
31	17H7618	Adjuster wedge	4	



CRANKSHAFT IDENTIFICATION CHART (CASTING OR STAMPING NUMBER)

22A62/63	Early 850 with oil feed for primary gear, 1.375" tail.....	850cc
22A298	Early 850 thin nose crank, 1.375" diameter tail.....	850cc
12A670	850 crank with 1.5" diameter tail.....	850cc
12A298	997cc
12A375	Oil feed hole for primary gear.....	997cc
12A595	Early crankshaft casting.....	998cc
12A1451	Later specification casting.....	998cc
BHM1436	A plus 1985 on (12A1451 casting).....	998cc
12G82	1100cc
AEG330	EN40B not cross drilled.....	970cc
AEG171	EN40B not cross drilled.....	1070cc
12G1287/8	EN16 1.625" con rod journal.....	1275cc not 'S'
12G1505	EN16 1.75" con rod journal.....	1275cc not 'S'
12G1683	12G1505 casting tufrided 1.75" con rod journal.....	1275cc not 'S'
CAM6232	Rolled fillet radius on bearing journals, A plus, 1.75".....	1275cc not 'S'
AEG315/6	EN40B not cross drilled, nitrided, 1.625".....	1275 Cooper 'S'
AEG479/480	EN40B cross drilled, nitrided, 1.625".....	1275 Cooper 'S'
AEG623	EN16 tufrided 1.625" con rod journal.....	1275 Cooper 'S'

CASTING NUMBERS ON CYLINDER HEADS

NUMBER INLET EXHAUST CC NORMAL APPLICATION

2A628	1.0625"	1.000"	24.5cc	848, 998 Mini and 948 Sprite
12A1456	1.0625"	1.000"	24.5cc	848, 998 Mini and 948 Sprite
CAM4180	1.0625"	1.000"	25.5cc	998 Mini A plus and lead free

2A629	1.0625"	1.000"	24.5cc	948, A35 and Minor
12G202	1.156"	1.000"	26.1cc	997 Cooper, 1100 MK1
12G206	1.218"	1.000"	28.3cc	998 Cooper, MG1100
12G295	1.218"	1.000"	28.3cc	998 Cooper, MG1100
12A185	1.401"	1.218"	21.4cc	MK1 Cooper 'S'
AEG163	1.401"	1.218"	21.4cc	MK1 and 2 Cooper 'S'
12G940	1.3125"	1.156"	21.4cc	1300, 1275GT, all late A+ variants inc Turbo
12G1805	1.401"	1.156"	21.4cc	MG1300, 1300GT, Cooper 'S' MK3
12G940	1.401"	1.156"	21.4cc	As line above plus MG Metro

CC = Original Combustion Chamber size.

All engines with prefix GSE or RKM were of UNIPART origin when BL split its parts organisation.

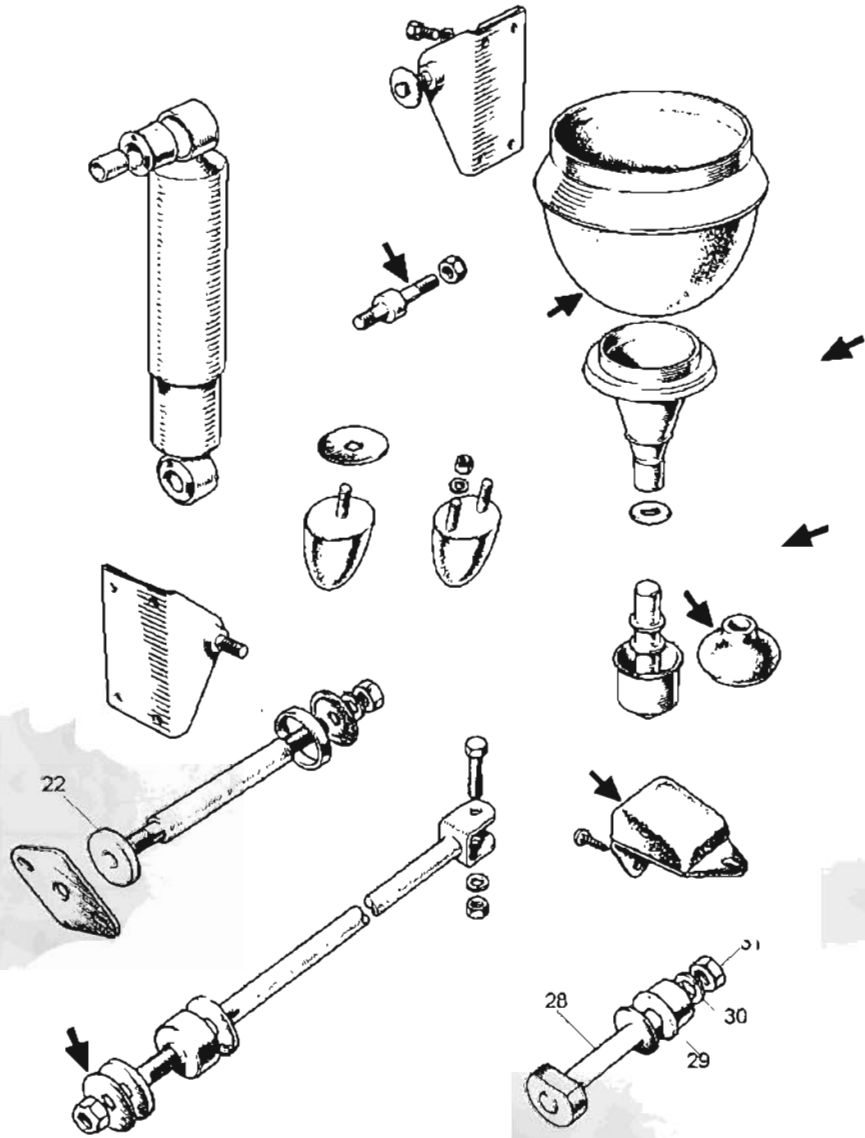
'E' at the end of part numbers denotes that it is a reconditioned service unit only.

Engine number followed by 'N' indicates a new unit.

ENGINE NUMBER REFERENCE ON FACTORY REPLACEMENTS MANUAL UNITS

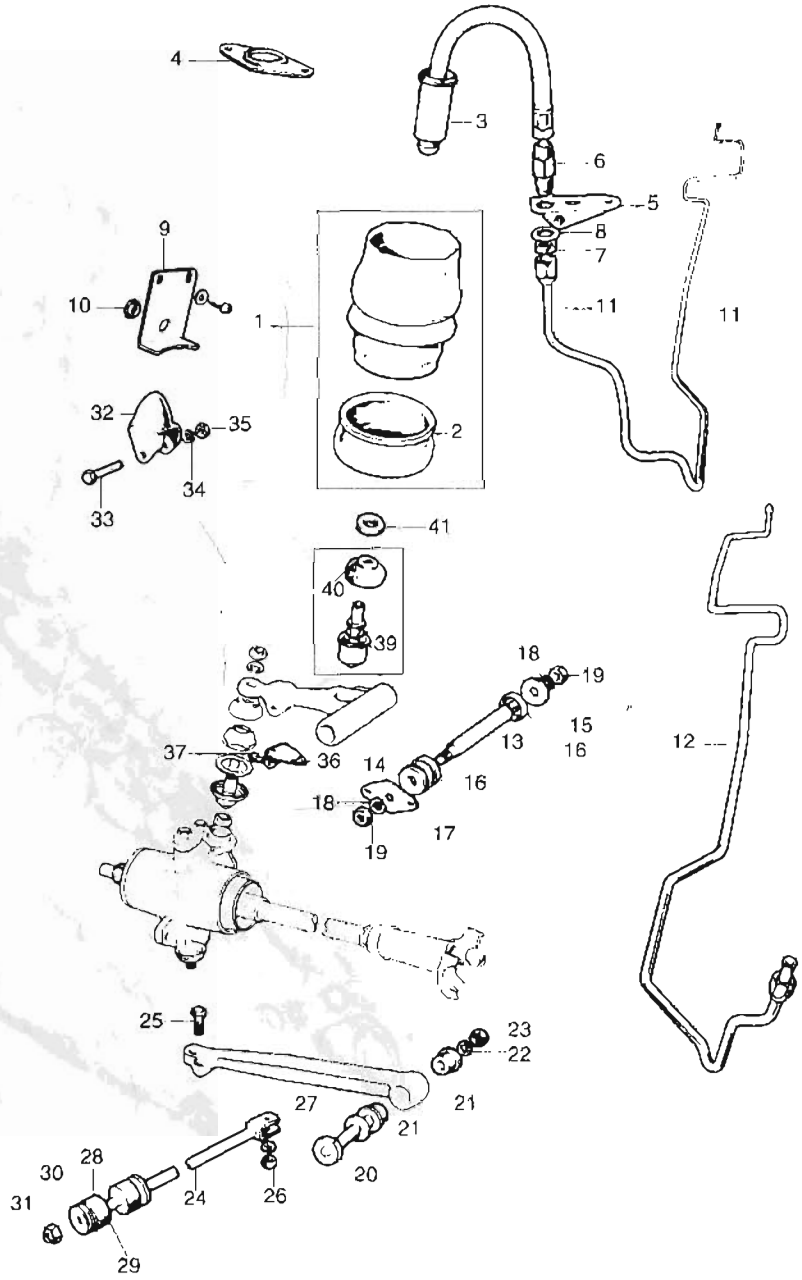
8G28	Oil feed to primary gear crank, 1.375" tail.....	850cc
8G35	Deva conversion crank, 1.375" tail.....	850cc
8G45	Gold seal, 1.5" diameter tail.....	850cc
GSE1101E	Gold seal.....	850cc
RKM1101E	Silver seal.....	850cc
BHM1307E	Gold seal 85H Prefix replacement.....	850cc
8G18	Oil feed to primary gear crankshaft.....	997cc Cooper
8G36	Oil feed converted crankshaft and primary gear.....	997cc Cooper
8G29	Deva bush.....	997cc Cooper
8G33	Fitted with 28G193 cylinder head (12G202).....	998cc Cooper
8G40	28G222 cylinder head introduced (12G295).....	998cc Cooper
8G42	Closed circuit breathing rocker cover/sideplates.....	998cc Cooper
8G49	Purulator oil filter pressure switch introduced.....	998cc Cooper
GSE1103E	Gold seal, was RKM1120E silver seal.....	998cc Cooper
RKM1103E	Silver seal.....	998cc Cooper
8G156E	Mini and Austin 1100 (ADO16).....	1100cc Clubman and Special
RKM1150E	Mini Clubman silver seal unit.....	1100cc Clubman and Special
RKM1151E	Mini Clubman silver seal unit.....	1100cc Clubman and Special
BHM1042	New and gold seal 1974 to 1980.....	1100cc Clubman and Special
BHM1229	New and gold seal, A plus block 1980 on.....	1100cc Clubman and Special
8G57	998 new from 1969 and exchange for all pre A plus.....	998cc Mini pre A plus to 1981
GSE1102E	Gold seal, was RKM1119E silver seal.....	998cc Mini pre A plus to 1981
RKM1102E	Silver seal.....	998cc Mini pre A plus to 1981
RKM1119E	Silver seal, replaced by RKM1102E.....	998cc Mini pre A plus to 1981
BHM1232	LC piston/CAM6267 cam, early cyl/head crank.....	998cc Mini A plus
BHM1377	HC piston/CAM4717 cam, early cyl/head crank.....	998cc Mini A plus
BHM1458	LC piston/CAM6267 cam, late A+ mains/cyl head.....	998cc Mini A plus
BHM1460	HC piston/CAM4717 cam, late A+ mains/cyl head.....	998 Mini A+ press fit pin piston introduced
LBB10089	LC lead free/CAM6267 cam, late A+ mains/cyl head.....	998 Mini A+ press fit pin piston
8G200	New and gold seal.....	Mini 1275GT
38G527	New and gold seal, for 12H706/707/831.....	Mini 1275GT
RKM1130E	Silver seal, was RKM1112E.....	Mini 1275GT
RKM1152E	Silver seal.....	Mini 1275GT
RKM1112E	Silver seal.....	Mini 1275GT
BHM1220	'A' Plus.....	Mini 1275GT
8G199E	Gold seal, with Duplex.....	1300GT Innocenti Mini, 11 stud cyl head
38G559E	Gold seal, with Simplex, 12H719/832.....	1300GT Innocenti Mini, 11 stud cyl head
GSE1109E	Gold seal.....	1300GT Innocenti Mini, 11 stud cyl head
RKM1133E	Silver seal.....	1300GT Innocenti Mini, 11 stud cyl head
BHM1209E	Gold seal, replaced all Innocenti 12H610/635/719/832.....	1300GT Innocenti Mini, 11 stud cyl head
8G38	Gold seal pre-closed circuit breathing.....	970cc
8G41	Closed circuit breathing sideplates introduced.....	970cc
8G46	Gold seal oil filter with pressure switch.....	970cc
8G133	Gold seal pre-closed circuit breathing.....	1070cc 'S'
8G153	Closed circuit breathing sideplates introduced.....	1070cc 'S'
8G145	Pre-closed circuit breathing.....	1275cc
8G154	Closed circuit breathing sideplates introduced.....	1275cc
8G155	Oil filter with pressure switch introduced.....	1275cc
8G174	Fitted with AEG510 Cam.....	1275cc
38G464	Introduced in 1970 most with EN16 crank.....	1275cc

FRONT RUBBER CONE SPRING SUSPENSION (KNOWN AS DRY SUSPENSION)



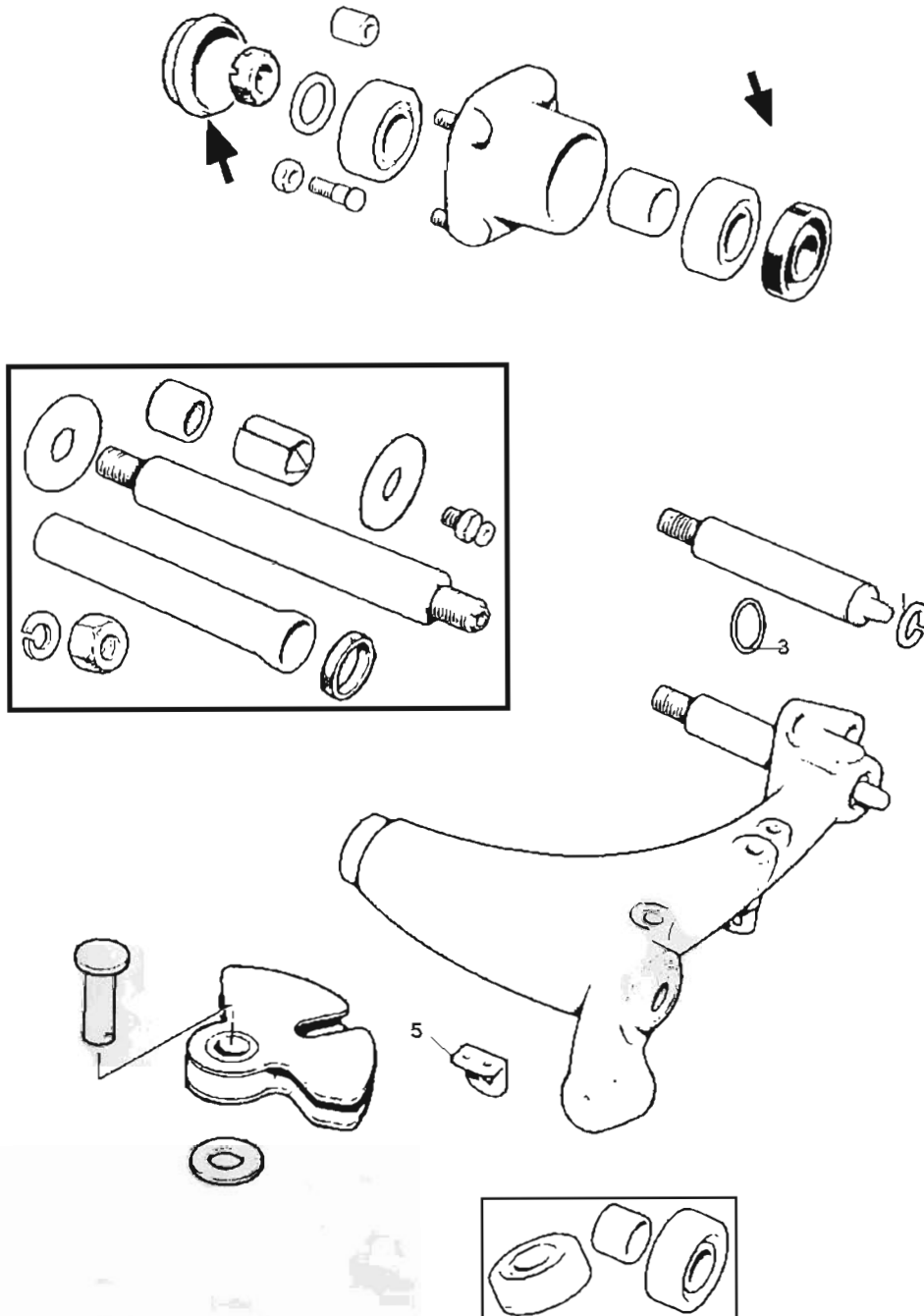
NO.	PART NO.	DESCRIPTION	QTY	REMARKS
1	GSA971388	Shock absorber genuine Unipart, was GSA71122	2	
1	GSA388MS	Shock absorber	2	
2	21A1230	Shock absorber bush, was 21A503	4	
3	21A504	Sleeve for shock absorber bush	4	
4	C-AJJ3361	Lower shock absorber anchor pin, strenghtened	2	Rover no. 2A4337
5	21A471	R/H shock absorber upper bracket	1	C-AJJ3359 pair
6	21A474	L/H shock absorber upper bracket	1	For lowered use
7	GHF331	Spring washer was LWZ204	8	
8	GHF117	Bolt, bracket to inner wing	8	
9	GHF223	Nylon nut for C-AJJ3361	8	
10	AJD7162	Washer to retain shock absorber bush/ferrule	8	
11	2A4332	Bump stop	2	
12	FAM2764	Single bolt bump stop mounted subframe	2	1976 on
13	FAM2767	Packing washer for FAM2764	2	
14	GHF331	Spring washer	2/4	
15	GHF200	Nut for bump stop	2/4	
16	21A530MS	Suspension cone strut (trumpet)	2	
17	GSV1118	Suspension knuckle was 21A1163	2	
18	21A423	Nylon cup	2	Part of GSV1118
19	21A425	Dust cover	2	
20	FAM3968	Suspension cone spring	2	
21	2A4325	Upper arm support shaft	2	Available as kit MSK1
22	2A4326	Thrust collar	2	per side
23	2A7324	Thrust washer	2	includes 2-88G302 bearings
24	2A7327	Rubber sealing ring	4	
25	2A4327	Retaining plate	2	
26	GHF335	Spring washer was LWZ308	4	
27	FNZ508	Nut	4	
28	2A4362	Lower arm support shaft was 21A1889	2	
29	21A1882	Lower arm bushes with metal insert	4	Fit tapered hole
29	2A4294	Lower arm shouldered bush, pre 1965	4	Fit straight hole
30	GHF333	Srping washer	2	
31	GHF223	Nut for support shaft, was FNZ506	2	
32	21A450	Tie rod	2	Available as kit 8G4249
33	53K1031	Tie rod bolt	2	per side
34	GHF332	Washer	2	
35	FNZ505	Nut	2	
36	31G1155	Tie rod bush	4	
36	C-STR628	Tie rod bush kit (4) slightly harder	1	
37	ACA9759	Cup washer	2	
38	PWZ207	Plain washer	2	
39	GHF223	Nut	2	
40	2A4267	Rebound buffer	2	
41	13H2776	Screw	2	
42	21A1845	Packing washer to raise suspension	A/R	
31-36		Are also sold as a kit 8G4249 (indicated by brackets)	2	

FRONT HYDROLASTIC DISPLACER SUSPENSION (KNOWN AS WET SUSPENSION)



NO.	PART NO.	DESCRIPTION	QTY	REMARKS
1	21A2008	Displacer unit (hose part of displacer only)	2	NLA
2	21A1496	Dust excluder	2	
3	21A1515	Protection sleeve for hose	2	
4	21A1487	Protection sleeve retainer	2	
5	21A1522	Adaptor plate bracket	1	NLA
6	21A1524	Adaptor	2	
7	17H8236	Nut	2	
8	LWZ410	Washer	2	
9	21A1687	Bracket to hold displacer to subframe	2	NLA
10	14A7031	Plug for bracket	2	
11	21A1575	Steel hydrostatic pipe, front to rear R/H	1	
12	21A1577	Steel hydrostatic pipe, front to rear L/H	1	
	FSP3	Plastic hydrostatic pipe, fits either side	2	Alternative to steel
13	2A4325	Upper arm support	2	
14	2A4326	Thrust collar	2	Available in kit
15	2A7324	Thrust washer	2	MSK1
16	2A7327	Rubber sealing ring	4	per side
17	2A4327	Retaining plate	2	
18	GHF335	Spring washer was LWZ308	4	
19	FNZ508	Nut	4	
20	2A4362	Lower arm support shaft was 21A1889	2	
21	21A1882	Lower arm bushes with metal insert	4	All 'S' plus 1966 on
21	2A4294	Lower arm shouldered bush, no insert	4	Pre 1966 models
22	GHF333	Spring washer was LWZ206	2	
23	FNZ506	Nut	2	
24	21A450	Tie rod	2	
25	53K1031	Tie rod bolt	2	Available
26	FNZ505	Nut	2	as kit
27	GHF332	Washer	2	8G4249
28	31G1155	Tie bar bush	4	per side
29	ACA9759	Cup washer	2	
30	PWZ207	Flat washer	2	
31	GHF223	Nut	2	
32	21A1598	Bump stop	2	CWE
33	HBZ420	Bolt	2	
34	LWZ204	Spring washer	2	
35	FNZ104	Nut	2	
36	2A4267	Rebound buffer	2	
37	13H2776	Screw	2	
38	GSV1118	Knuckle joint was 21A1163	2	
39	21A423	Nylon cup	2	Part of
40	21A425	Dust cover	2	GSV1118
41	21A1845	Packing washer to raise suspension	A/R	

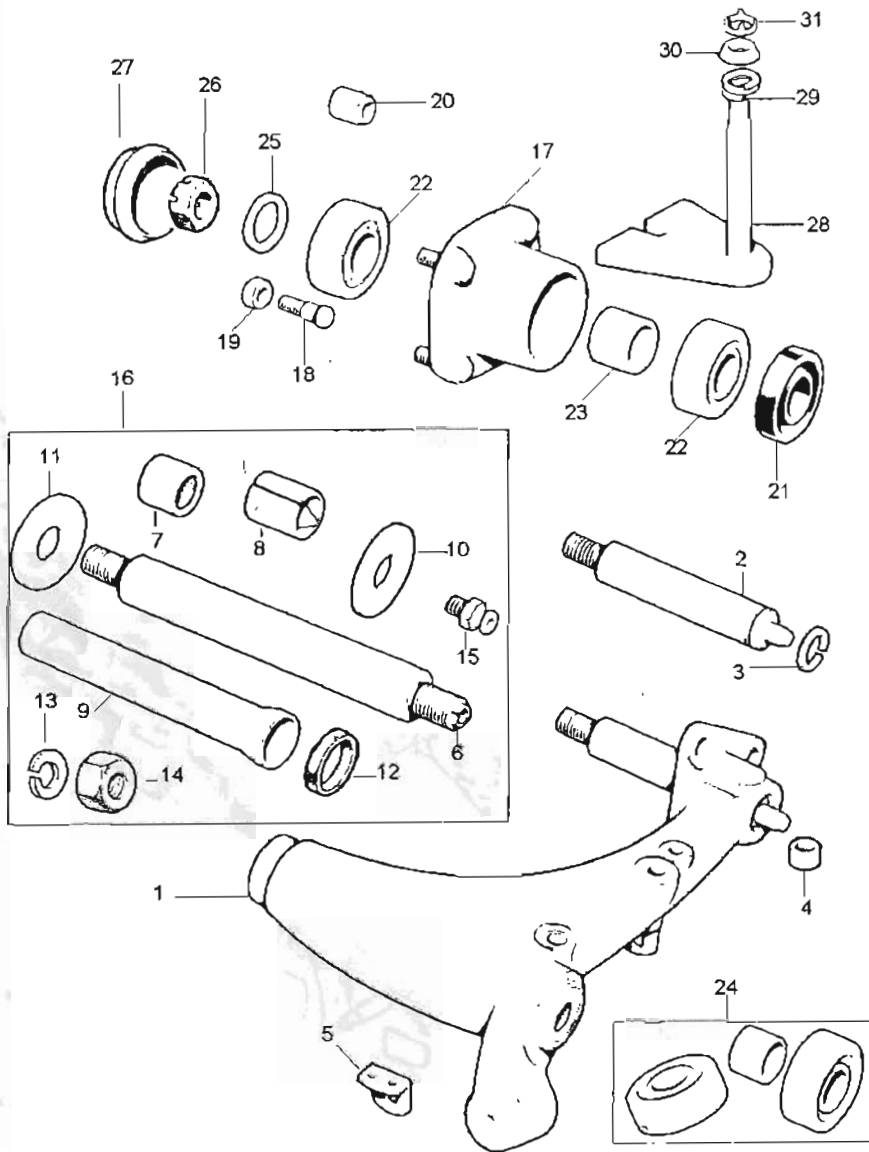
REAR RADIUS ARMS, CONE SUSPENSION



NO.	PART NO.	DESCRIPTION	QTY	REMARKS
1	21A392	Radius arm R/H use NAM7162 with CDU1173.....	1	
1	NAM7162	Radius arm R/H cone suspension, was 21A392.....	1	
1	21A393	Radius arm L/H dry use NAM7163 with CDU1173 seal.....	1	
1	NAM7163	Radius arm L/H cone suspension was 21A393.....	1	
2	2A7351	Radius arm stub axle R/H.....	1	
2	2A7364	Radius arm stub axle L/H.....	1	
3	CDU1173	Seal on stub axle for NAM7162/3 arm only.....	2	
4	2A7352	Stub axle circlip.....	2	
5	21A397	Bracket on radius arm for hose.....	2	
6	ACA9099	Pin.....	2	
7	ATJ4098	Roller bearing inner, was 13H442.....	2	
8	2A7325	Bronze bush outer.....	2	
9	21A396	Metal grease sleeve, being replaced by plastic sleeve.....	2	
10	2A7324	Outer thrust washer.....	2	
11	ACA9302	Inner thrust washer.....	2	
12	2A7327	Sealing rubber ring.....	4	
13	LWZ208	Spring washer.....	4	
14	FNZ508	Nut.....	4	
15	UHN400	Grease nipple.....	2	
16	8G7134	Radius arm repair kit.....	2	
17	21A2023	Hub with studs.....	2	
17	21A1277	Hub with long studs, 'S' and 1275GT plus all 1984 on.....	2	
18	21A2064	Wheel studs, shaft length 1.375" 35mm.....	8	Thread length 0.875"
18	21A2064L	Wheel studs, shaft length 2.000" 50.80mm.....	8	Thread length 1.125"
18	ATA7085	Wheel studs, shaft length 1.6875" 42.65mm.....	8	Thread length 1.000"
18	21A1278	Wheel studs, shaft length 2.375" 60.30mm.....	8	Thread length .750"
18	ENJO-1039	Wheel studs, shaft length 2.375" 60.30mm.....	8	Thread length 1.125"
18	ERA1268	Wheel studs, shaft length 2.437" 62mm.....	8	Thread length 1.000"
19	88G322	Wheel nuts, round radius chamfer angle.....	8	
19	113087	Wheel nuts, 60° chamfer angle.....	8	Steel wheel 1985 on
20	CN1	Chrome wheel nuts.....	8	Alternative to 88G322
20	AHAB785	Chrome wheel nuts, 60° chamfer dome - 1275GT Rostyle.....	8	Weller steel, use COSMIC5
20	COSMIC5	Chrome wheel nuts, 60° chamfer angle.....	8	Weller steel and Rostyle
21	GHS134	Metal backed 'S' oil seal.....	2	Use GHS102
21	GHS102	Hub oil seal.....	2	
22	GHB116	Bearing without built in spacer.....	4	NLA, use GHK1352
22	GHB212	Bearing with built in spacer.....	4	Part of GHK1352
23	2A7354	Spacer when GHB116 fitted (Not Timken).....	2	
24	GHK1352	Bearing kit with built in spacer and seals per hub.....	2	Was GHK1088
24	GHB147	Timken tapered roller bearing set less seals per hub.....	2	Use GHK1548
24	GHK1548	Timken tapered roller bearing set plus seals per hub.....	2	Was GHK1141
25	BTA672	Hub washer was 21A1892.....	2	
26	NL610041	Hub nut R/H.....	1	
26	FNN2410	Hub nut L/H.....	1	
27	ATB4098	Grease retaining cap.....	2	
28	21A2454	Hand brake quadrant.....	2	
29	CLZ549	Clevis pin, was BH605281 bolt.....	2	
30	AWZ105	Washer.....	2	

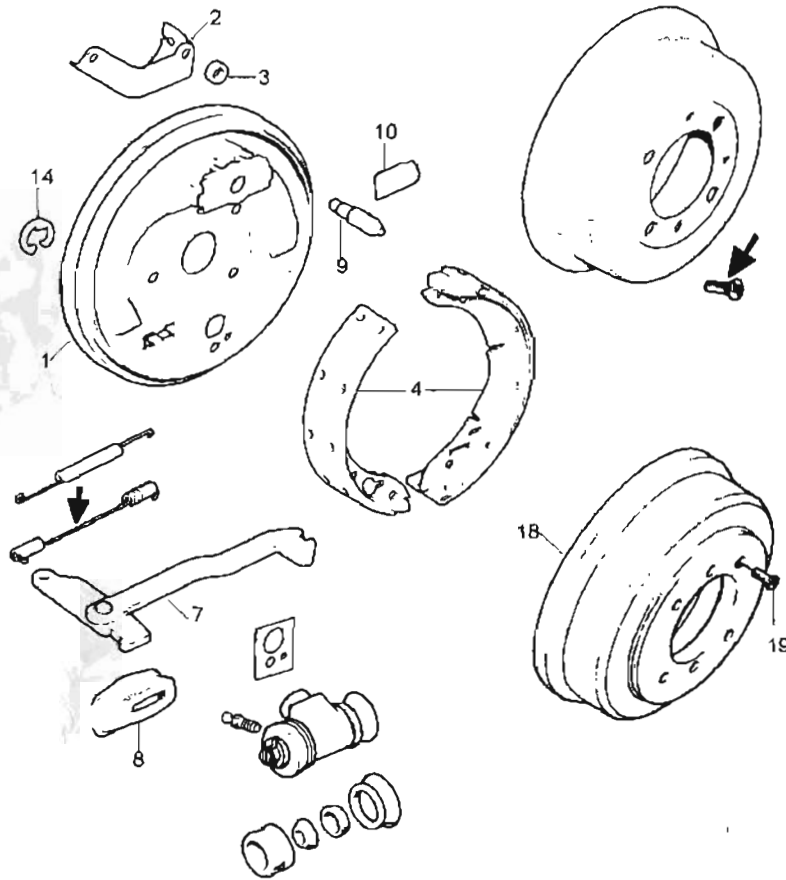
TIMKEN were fitted to all 1275GT/'S' models plus Mini 1984 on

REAR RADIUS ARMS HYDROLASTIC SUSPENSION



NO.	PART NO.	DESCRIPTION	QTY	REMARKS
1	21A1485	Hydrostatic radius arm R/H	1	CWE
1	21A1489	Hydrostatic radius arm L/H	1	NLA
2	21A1486	Stub axle R/H	1	CWE
2	21A1490	Stub axle L/H	1	NLA
3	2A7352	Stub axle circlip	2	
4	LBS507	Bush for pivot arm	2	CWE
5	21A1375	Bracket on radius arm for hose	2	NLA
6	ACA9099	Radius arm pin	2	
7	ATJ4098	Roller bearing inner, was 13H442	2	
8	2A7325	Bronze bush outer	2	
9	21A396	Metal grease sleeve, replaced by plastic sleeve	2	
10	2A7324	Outer thrust washer	2	
11	ACA9302	Inner thrust washer	2	
12	2A7327	Sealing rubber ring	4	
13	LWZ208	Spring washer	4	
14	FNZ508	Nut	4	
15	UHN400	Grease nipple	2	
16	GSV1125	Radius arm repair kit, was 8G7134	2	
17	21A2023	Hub with studs	1	
17	21A1277	Hub with long studs, 1275GT 'S'	1	
18*	21A2064	Wheel stud shaft length 1.375" 35mm	1	Thread length 0.875"
18	21A2064L	Wheel stud shaft length 2.000" 50.80mm	1	Thread length 1.125"
18	ATA7085	Wheel stud shaft length 1.687" 42.65mm	1	Thread length 1.000"
18*	21A1278	'S' Wheel stud shaft length 2.375" 60.30mm	1	Thread length 0.750"
18	ENJO-1039	Wheel stud shaft length 2.375" 60.30mm	1	Thread length 1.125"
18	ERA1268	Wheel stud shaft length 2.437" 62mm	1	Thread length 1.000"
19	88G322	Wheel nuts, round radius chamfer angle	8	
20	CN1	Chrome wheel nut	8	Alternative to 88G322
* Standard fitment, shorter for GDB105, brake drum, longer for GDB106 brake drum with 1" built in spacer				
21	GHS134	Metal backed 'S' rear hub oil seal	2	Use GHS102
21	GHS102	Rear hub oil seal	2	
22	GHB116	Bearing without built in spacer	4	NLA use GHK1352
22	GHB212	Bearing with built in spacer	4	Part of GHK1352
23	2A7354	Spacer when GHB116 fitted	2	
24	GHK1352	Bearing kit with built in spacer and seals per hub	2	Was GHK1008
24	GHB147	Timken tapered roller bearing set less seals per hub	2	Use GHK1548
24	GHK1548	Timken tapered roller bearing set plus seals	2	Was GHK1141
25	BTA672	Hub washer, was 21A1892	2	
26	NL611041	Hub nut R/H	1	
26	FNN2410	Hub nut L/H	1	
27	ATB4098	Grease retaining cap	2	
28	21A1507	Hand brake quadrant	2	
29	2K2545	Spring washer	2	
30	21A1512	Thrust washer	2	
31	21A1513	Spire clip	2	

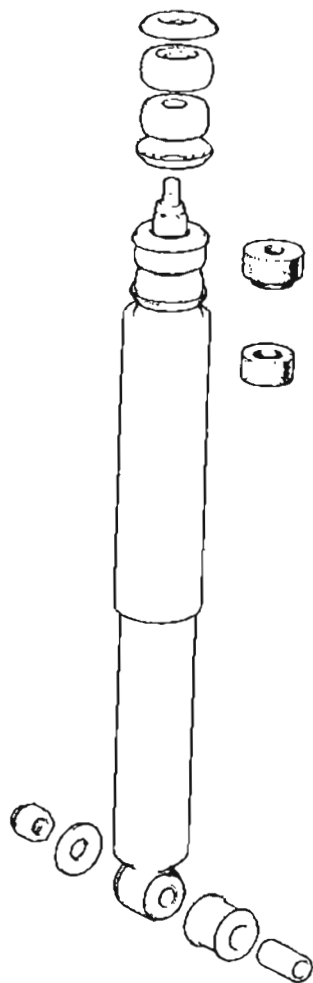
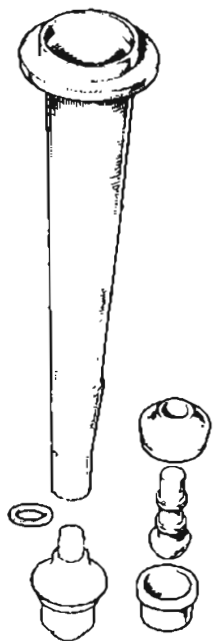
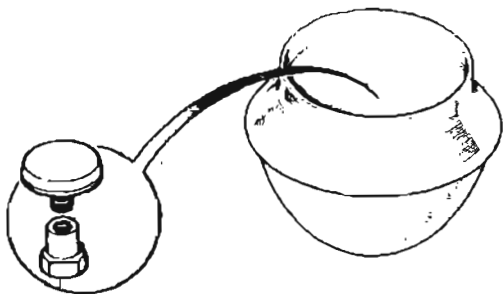
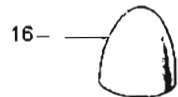
REAR BRAKES SINGLE LINE AND TANDEM



NO.	PART NO.	DESCRIPTION	QTY	REMARKS
1	21A1058	Back plate R/H.....	1	
1	21A1060	Back plate L/H.....	1	
1	17H8075	Back plate R/H.....	1	For GWC1101/1129
1	17H8076	Back plate L/H.....	1	For GWC1101/1129
2	21A1669	Handbrake cable bracket R/H.....	1	
2	21A1670	Handbrake cable bracket L/H.....	1	
3	53K3437	Packing washer.....	4	
4	GBS101MS	Rear brake shoe set (4 shoes).....	1	1.25" wide
4	GBS834AF	Genuine rear brake shoe set, was GBS701.....	1	1.25" wide
5	17H8092	Return spring, cylinder end.....	2	
6	17H7621	Return spring, adjuster end.....	2	
7	AAU4936	Brake lever arm R/H, NLA.....	1	Use SMN10005
7	AAU4937	Brake lever arm L/H, CWV.....	1	Use SMN10005
7	SMN10005	Brake lever kit (includes R/H and L/H).....	1 pr	
8	17H7612	Brake lever gaiter.....	2	
9	17H7619	Tappet type adjuster.....	2	
10	17H7618	Wedge.....	4	
11	GWC1126	Wheel cylinder, diagonal.....	2	513118 bleed screw
11	GWC1129	Wheel cylinder, was 37H4641.....	2	513118 bleed screw
11	GWC1131	Wheel cylinder, was AAU1810, diagonal split.....	2	3H2428 bleed screw
11	GWC1134	Whl cyl, was 37H8074 no locating pin (Japan/Norway only).....	2	3H2428 bleed screw
11	GWC1101	Wheel cylinder up to 1967.....	2	513118 bleed screw
11	GWC1102	Wheel cylinder 1967 on.....	2	513118 bleed screw
12	513118	Bleed screw, was 17H7623.....	2	
12	3H2428	Bleed screw for GWC1131/4.....	2	
13	BHM7015	Wheel cylinder repair kit for GWC1126.....	2	
13	GRK2004	Wheel cylinder repair kit for GWC1129.....	2	
13	GRK2003	Wheel cylinder repair kit for GWC1131/4.....	2	
13	GRK2076	Wheel cylinder repair kit for GWC1101, was 8G8801.....	2	
13	GRK2014	Wheel cylinder repair kit for GWC1102.....	2	
14	17H7949	Wheel cylinder locating clip.....	2	
15	37H4642	Wheel cylinder to backplate gasket.....	2	
16	GBD105	Brake drum.....	2	
17	CMZ407	Brake drum screw for GBD105.....	4	
18	GBD106	Brake drum (1" wider than GBD105).....	2	'S' 1275GT and 1984 on
19	CMZ422	Brake drum screw for GBD106, now SF604121.....	4	

FOR WHEEL CYLINDER FITMENT SEE CHART WITH MASTER CYLINDER AND BRAKE LINE TYPE.

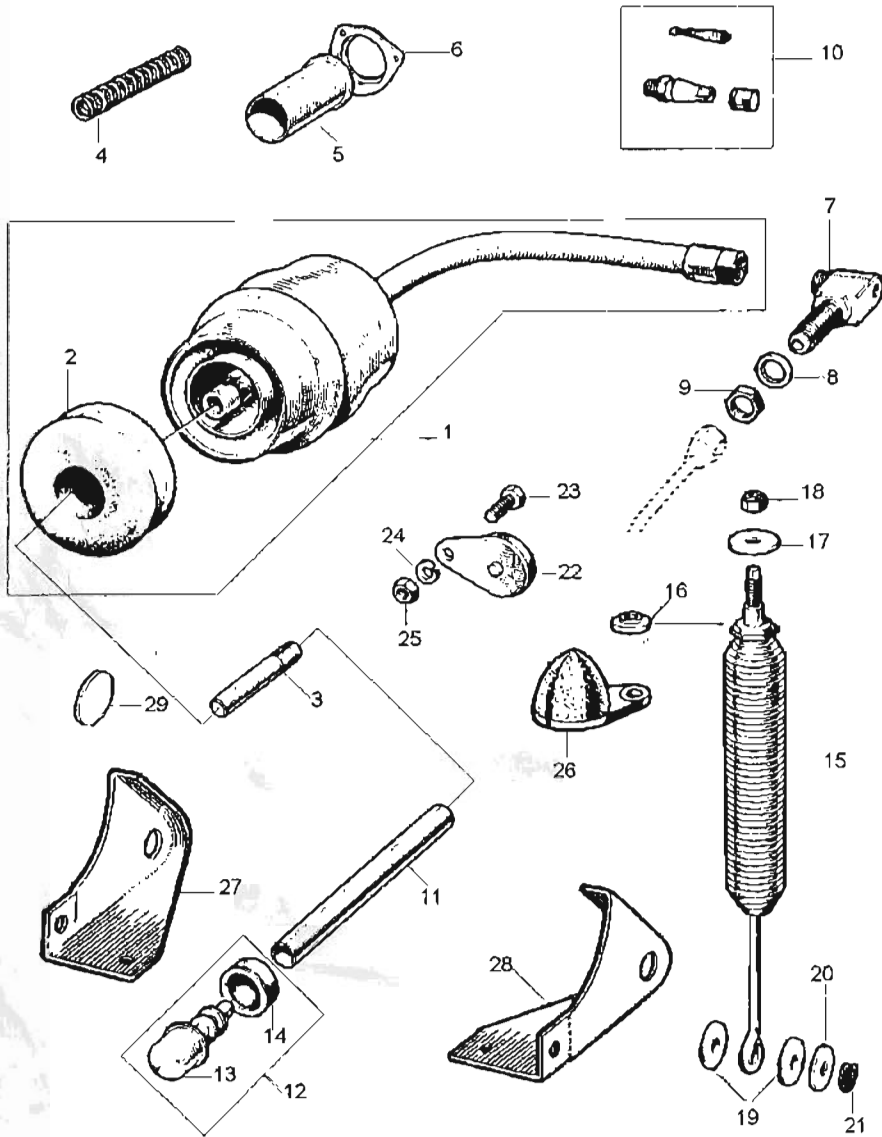
Description	Master cylinder	Bore size	Frt caliper /cylinder	Bore/disc	Rear wheel cylinder	Bore size	Cast No.	Regulator valve
Dry suspension Mini 1959 to chassis number A2S7 359770	GMC153	.750"	GWC101	.9375"	GWC1102	.750"	12	21A1774
Dry suspension Mini from chassis number A2S7 359771	GMC102	.70"	GWC101	.9375"	GWC1101	.625"	10	21A1174
All hydroelastic Mini MK1 Minis from September 1964 on	GMC102	.70"	GWC102/3	.800"	GWC1101	.625"	10	21A1774
MK2 Mini to C-A2S7 2332A and derivatives	GMC102	.70"	GWC126/7	.9375"	GWC1102	.75"	12	21A1774
MK2 Mini from C-A2S7 2333A and derivatives	GMC171	.70"	GWC126/7	.9375"	GWC1102	.75"	12	21A1774
MK3 Mini October 1968 on and derivatives, single line to 1977	GMC171	.70"	GWC126/7	.9375"	GWC1102	.75"	12	21A2031
997 Cooper to chassis number C-A2S7 213829 K-A2S4 213550	GMC103 Use GMC153	.75"	27H4652 27H4653	7" disc GBP101 pad	GWC1102	.75"	12	21A1774
997 Cooper C-A2S7 213829-382831 M-AS4 213551-382183	GMC104 Use GMC171	.70"	27H4652 27H4653	7" disc GBP101 pad	GWC1102	.75"	12	21A1774
997 Cooper dry C-A2S7 382832 on 998 Cooper hydroelastic K-A2S4 382184 on	GMC171	.70"	27H4654 27H4655	7" disc GBP102 pad	GWC1101	.625"	10	21A1774
Cooper 'S' MK1 with servo 21A1293	GMC172	.70"	27H4656/7	7 1/2" disc	GWC1101	.625"	10	21A1774
Cooper 'S' with servo 21A1293	GMC172	.70"	27H4656/7	7 1/2" disc	GWC1102	.75"	12	21A1774
Cooper 'S' MK3 1275GT with servo 13H7939 10" wheel	GMC172	.70"	27H4656/7	7 1/2" disc	GWC1101	.625"	10	21A1774
1275GT Single line brakes chassis number 19416-21569A 1974-76	GMC172	.70"	GBC138/141	8.4" disc	GWC1129	.6875"	11	21A1774
1275GT Diagonal split chassis number 19416-21569 on 1974-76	GMC160	.70"	GBC138/141	8.4" disc	GWC1129	.6875"	11	None
1275GT Single line brakes chassis number 21570A on 1976-77	GMC172	.70"	GBC138/141	8.4" disc	GWC1126	.500"	8	21A1774
1275GT Diagonal split chassis number 30001 on 1977-78 (Metric pipe unions)	GMC167	.70"	GBC138/141	8.4" disc	GWC1126	.500"	8	None
1275GT Front to rear tandem 1978 on (Metric pipe unions)	GMC227	.70"	GBC138/141	8.4" disc	GWC1102	.750"	12	FAM7821
850/998 Diagonal split (not UK) 1976-77 (Europe) Japan/Norway	GMC160 GMC160	.70" .70"	GWC126/7 GWC126/7	.9375" .9375"	GWC1126 GWC1134	.500" .5625"	8 6	4 way switch 13H5905
850/998/1100 Front to rear (Benelux countries) 1974-75 (Belgium built)	GMC159	.70"	GWC126/7	.9375"	GWC1102	.750"	12	4 way switch 13H5905
850/998 Diagonal split except van/pick up 1977-78 (1976-79 Europe)	GMC167	.70"	GWC126/7	.9375"	GWC1131	.5625"	9	None
850/998 Front to rear October 1978 on (1980-84 Europe)	GMC227	.70"	GWC126/7	.9375"	GWC1102	.750"	12	FAM7821
Mini van/pick up diagonal split 1977 on (Metric pipe unions)	GMC167	.70"	GWC126/7	.9375"	GWC1102	.750"	12	None
998 Mini front to rear 1984 on (Metric pipe unions)	GMC227	.70"	GBC138/141	8.4" disc	GWC1102	.750"	12	FAM7821
Innocenti (1275GT not UK) Front to rear 10" wheel with AXE244 servo	GMC159	.70"	27H4656/7	7 1/2" disc	GWC1129	.6875"	11	4 way switch 13H5905
998/1300 Latest 1990 Mini with built in servo GSM119	GMC242		GBC138/141	8.4" disc	GWC1102	.750"	12	FAM7821
ERA Turbo with built in servo GSM119	GMC242		GBC131/2	8.4" vented	GWC1131	.5625"	9	None



REAR SUSPENSION RUBBER CONE

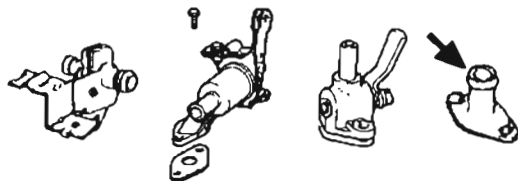
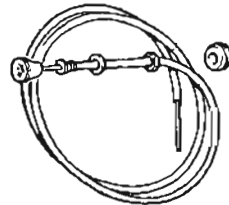
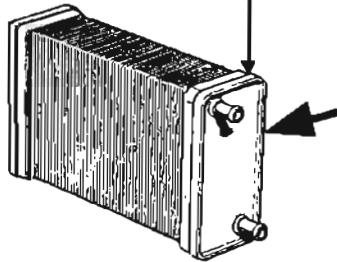
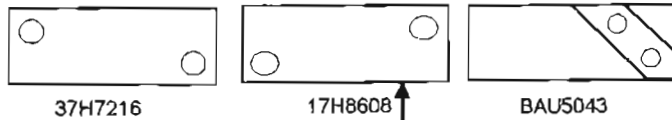
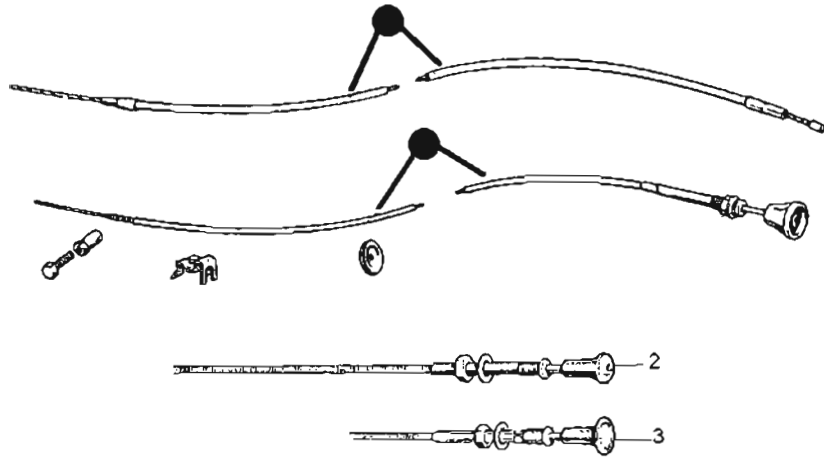
NO.	PART NO.	DESCRIPTION	QTY	REMARKS
1	FAM3968	Suspension cone	2	Metric thread
2	21A1683	Alloy strut, CWE	2	Saloon only to 1984
2	21A1684	Alloy strut longer	2	All vans, saloons 1984 on
3	GSV1118	Suspension knuckle joint complete	2	
4	21A425	Knuckle gaiter	2	
5	21A423	Knuckle nylon cup	2	
6	21A1845	Washer to raise suspension	A/R	
7	GSA971389	Shock absorber genuine, was GSA71116	2	
7	GSA389MS	Shock absorber, non genuine	2	
8	21A1230	Shock absorber lower bush, was 21A503	2	
9	21A504	Lower bush sleeve	2	
10	AJD7162	Washer	2	
11	GHF223	Nut	2	
12	21A1314	Lower of top shock absorber bush	2	
13	GZS1477	Upper of top shock absorber bush	2	
14	21A2325	Lower washer	2	NLA
15	21A639	Upper washer	2	NLA
16	21A640	Buffer	2	Van and EState
17	ERA1190	Bump stop, fits FAM3968 on late subframe 1990 on	2	ERA Turbo
18	ERA1191	Cap bolt bump stop, fits FAM3968	2	ERA Turbo

REAR SUSPENSION - HYDROLASTIC



NO.	PART NO.	DESCRIPTION	QTY	REMARKS
1	21A2008	Displacer unit	2	CWE
2	21A1496	Dust cover	2	
3	21A1704	Dowel	2	NLA
4	4G7809	Compression spring	2	NLA
5	21A1515	Sleeve	2	
6	21A1757	Sleeve retainer	2	
7	21A1519	Elbow for pipe to hose	2	
8	LWZ410	Locking washer	2	
9	17H8236	Nut	2	
10	13H1705	Valve assembly	2	
11	21A1805	Strut	2	
12	GSV1118	Suspension knuckle joint complete	2	
13	21A425	Knuckle nylon cup	2	
14	21A423	Knuckle gaiter	2	
15	21A1806	Helper spring	2	
16	12A1358	Helper spring bush was 21A1492	4	
17	53K3446	Special washer	2	NLA
18	GHF222	Lock nut	2	
19	21A1493	Felt washer	4	
20	PWZ306	Plain washer	2	
21	13H2193	Retainer clip	2	
22	21A1517	Rebound buffer	2	
23	SH605051	Bolt	2	
24	GHF332	Spring washer	2	
25	GHF201	Nut	2	
26	21A1520	Bump stop buffer	2	
27	14A6615	Radius arm shroud R/H	1	
28	14A6616	Radius arm shroud L/H	1	
29	14A7091	Rubber plug for grease hole, on 14A6615/6	2	

CONTROL CABLES, HEATER VALVES AND HEATER RADIATORS

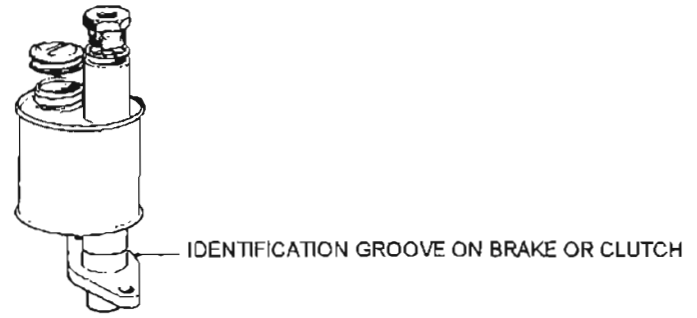
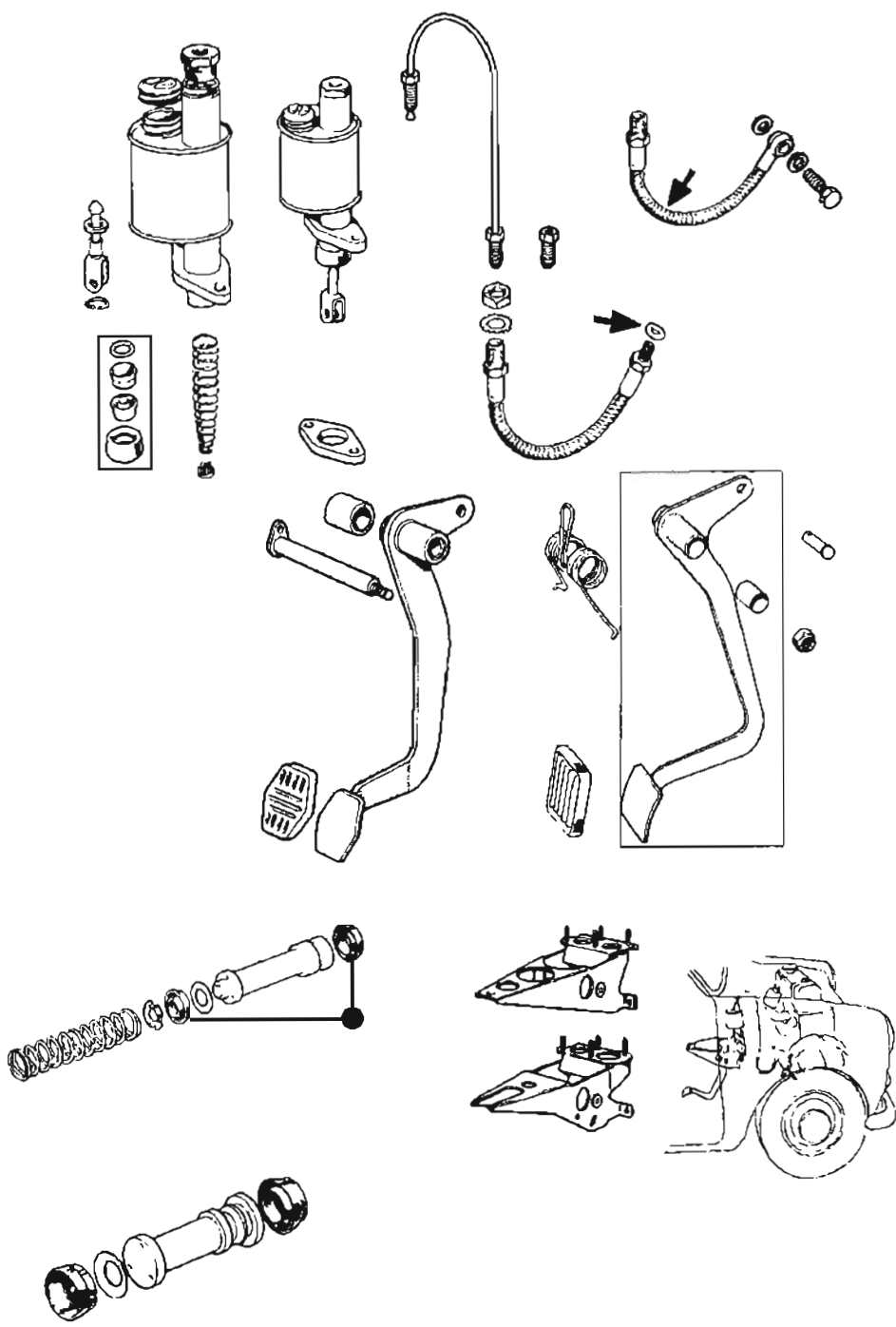


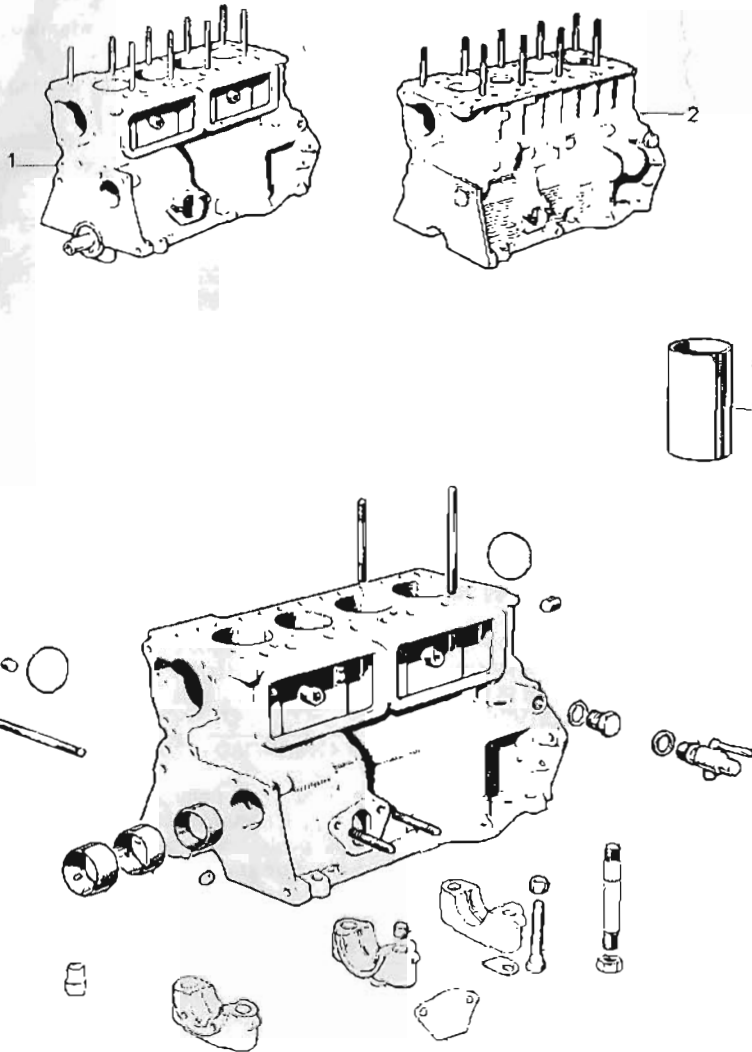
NO.	PART NO.	DESCRIPTION	QTY	REMARKS
1	NAM7914	Accelerator cable	1	
1	C-AHT85	Accelerator cable long nylon sleeved internally	1	
1	SBB10187	Accelerator cable	1	TBI only
1	SBB10099	Accelerator cable Cooper, HIF44 and HIF38	1	
1	21A1202	Choke cable original Bakerlite type of knob	1	Single carb MKI/II
3	21A1204	Choke cable locking, original Bakerlite type of knob	1	Twin carb Cooper and 'S'
4	NAM6384	Choke cable, plastic knob, turn to lock	1	
4	SBF10027	Choke cable, 27" ratchet type locking	1	1987 on
4	SBF10031	Choke cable, 31" ratchet type locking	1	1300cc 1990 on
5	14A9988	Heater cable original Bakerlite type of knob	1	
5	24A2738	Heater cable plastic knob 29"	1	Mini
5	CHM373	Heater cable plastic knob 30"	1	Clubman or Mini
5	JFF10003	Heater cable with looped end, for latest valve	1	Non fixed valve
5	JFF10048	Heater cable, latest type 91 on, end graphic JFD10039	1	Non fixed valve, 88-Oct 1990
6	CAM5969	Cable grommet through bulkhead	A/R	
7	13H3472	Clip, cable to carburettor bracket	2	
8	AUE34	Choke locking screw/nipple	1	
9	ADU9102	Heater valve was 88G601	1	0.50" bore hose
10	53K1016	Heater valve cable screw	1	
11	12A479	Heater tap, brass with lever	1	Mini van
12	88G221	Heater valve/tap gasket	1	
13	JJB10007	Heater valve/non fixed 0.6250" bore hose	1	1990 on
14	12G2534	Heater hose take off on head 0.6250"	1	1990 on
15	17H8608	Heater radiator 0.5" outlet	1	MKI/II
15	37H7216	Heater radiator 0.5" outlet	1	MKIII to 1984
15	BAU5043	Heater radiator 0.625" outlet	1	1984 on

CLUTCH AND PEDAL LINKAGE

NO.	PART NO.	DESCRIPTION	QTY	REMARKS
1	2A5866	Pedal assembly R/H/D pre 1976.....	1	CWE
2	2A3034	Pedal bush for all.....	2	
3	NAM3116	Pedal assembly R/H/D.....	1	1976 on
3	NAM3115	Pedal assembly L/H/D.....	1	1976 on
4	21A2467	Pedal box assembly single line brakes.....	1	NLA
5	NAM8670	Pedal box assy for tandem master cylinder was FAM4368.....	1	Tandem brake
6	GPR104	Pedal pad (rubber) to 1976.....	1	
7	GPR107	Pedal pad (rubber) 1976 to 1990.....	1	
7	SZU10001	Pedal pad 1990 on.....	1	
8	2A5880	Shaft for brake and clutch pedal.....	1	
9	GHF222	Lock nut for 2A5880.....	1	
10	CLZ512	Clevis pin master cylinder to pedal.....	1	
11	2A5652	Pedal return spring.....	1	
12	GMC1008	Clutch master cylinder was AAU4969.....	1	
13	513123A	Plastic filler cap.....	1	
14	GRK3007	Repair kit with one flat cap end seal and one ring seal.....	1	Rubber seals only
15	GRK3004	Repair kit with 2 ring type seals.....	1	Rubber seals only
16	31G279	Sealing washer.....	1	
17	HF12	Metal pipe with unions R/H/D.....	1	11" long
17	HF32	Metal pipe with unions L/H/D.....	1	32" long
18	TM606031	Clutch pipe unions.....	A/R	
19	GVP1020	Clutch hose for GSY110 slave cylinder, was 13H300.....	1	
19	C-AJJ4025	Steel braided hose.....	1	
20	GVP1009	Clutch hose with Banjo end, fits GSY118, was ADU6450.....	1	1982 on
20	C-AJJ4025B	Banjo type steel braided hose.....	1	
21	C5192	Banjo bolt for GVP1009.....	1	
22	233220	Copper sealing washer.....	1	
23	3H550	Washer, banjo bolt to banjo.....	1	
24	2K8686	Locking nut.....	1	
25	WE600101	Shakeproof washer.....	1	

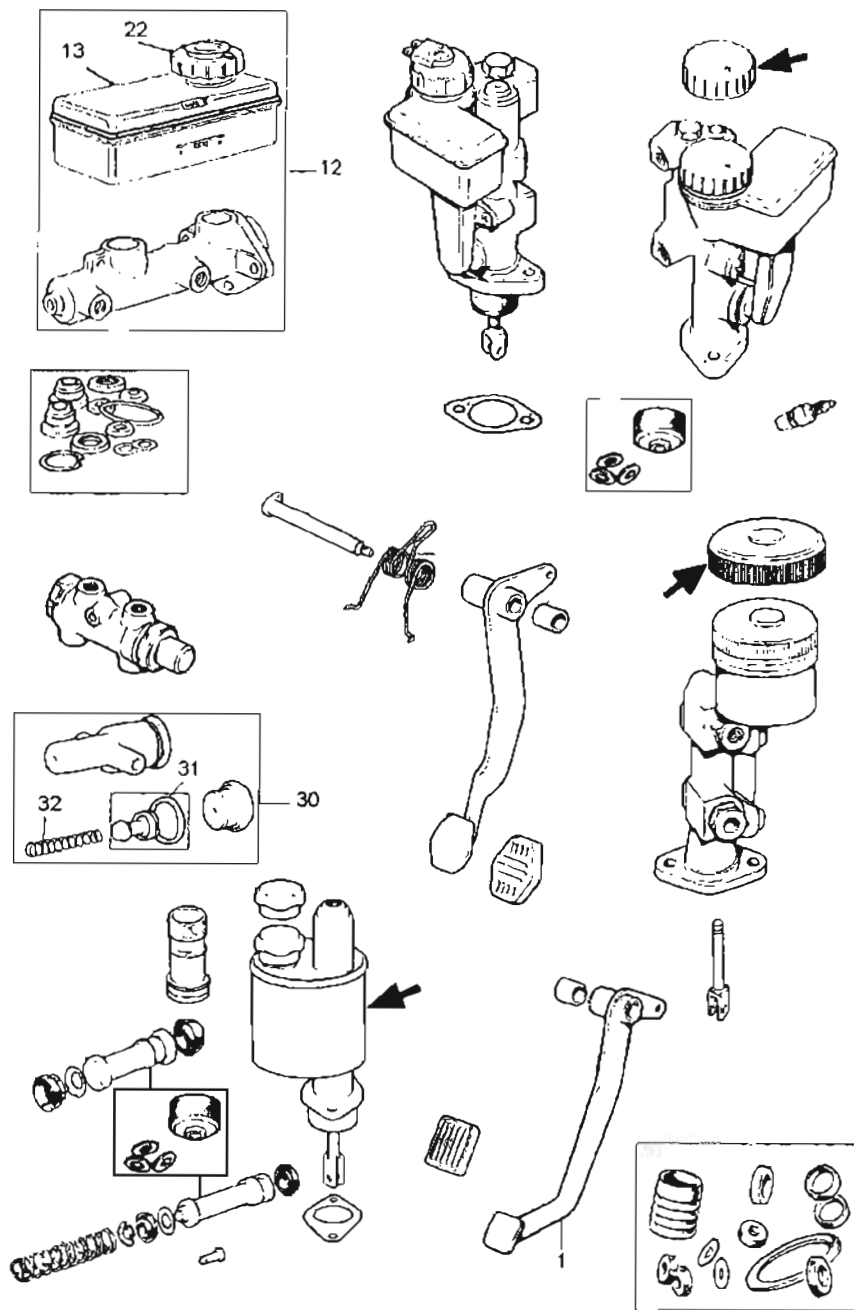
MASTER CYLINDER THAT HAS 2 RING SEALS CAN BE IDENTIFIED BY A SINGLE GROOVE AROUND BODY BELOW FLUID RESERVOIR, AS PER DIAGRAM BELOW.





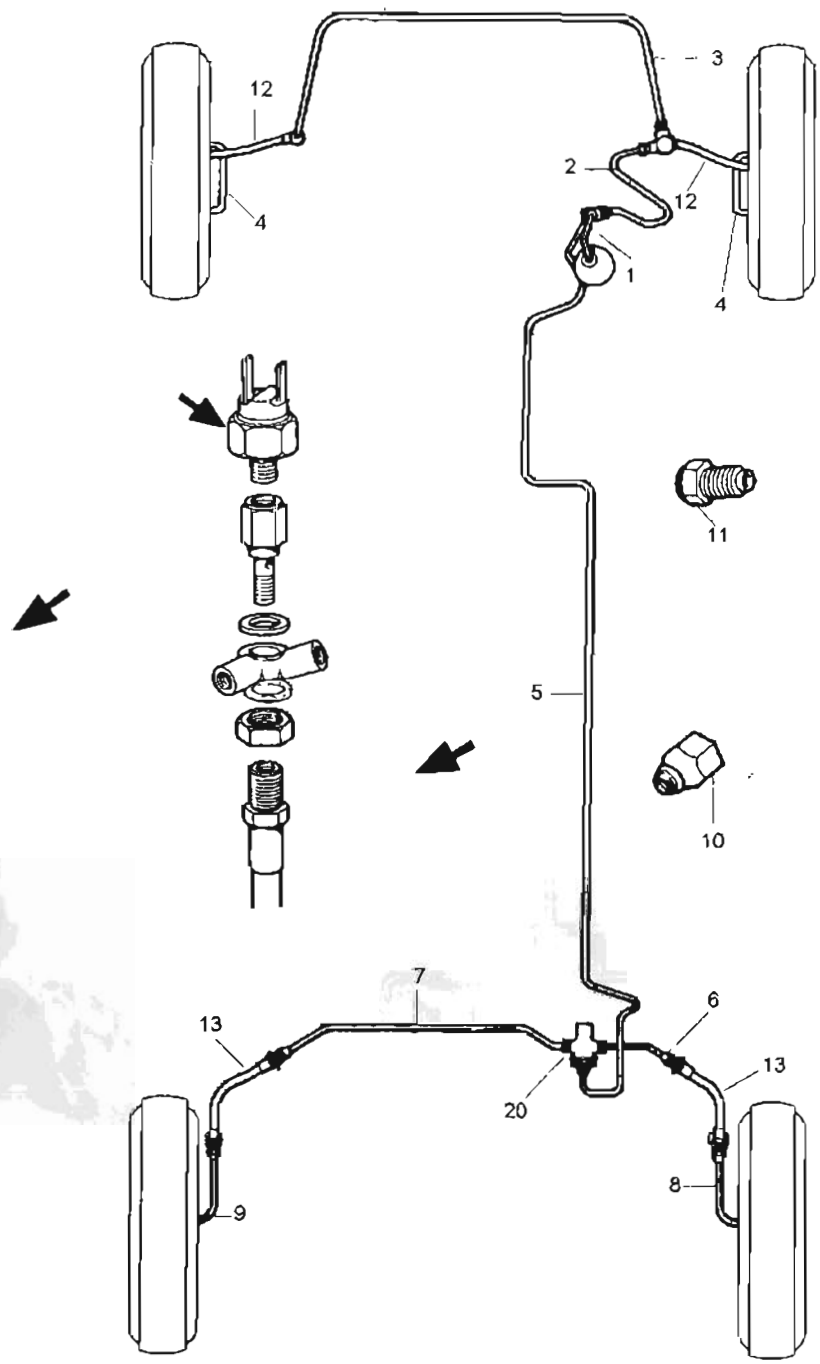
BLOCK COMPONENTS AND PISTONS

NO.	PART NO.	DESCRIPTION	QTY	REMARKS
1	BHM1439MS	Block bare 998cc	1	'A' Plus
2	BHM1441MS	Block bare 1300cc (no tappet side plate covers)	1	'A' Plus
3	2K8169	Core plug (1.625" diameter)	4	850/998/1100, not 'A' plus
3	AEC876	Core plug (1.326" diameter)	5	1300cc and all 'A' Plus
3	AEH592	Core plug (1.647" diameter)	4	All Cooper 'S'
4	12G3503	Oil gallery plug	2	
5	2K1345	Oil release passage	2	Use TAM2009 85 on
6	CAM150	Block to head stud long	3/4	Qty decreased for TAM1617
7	CAM151	Block to head stud short	5/6	Extra for Cooper 'S'
7	TAM1617	Block to head stud short	1	Extra threads to hold coil
8	CHS2613	Filter to block stud	2	For spin on filter only
8	53K615	Filter to block stud	2	For paper element
9	CHS2515	Petrol pump stud	2	
10	2A54	Dowel - main bearing cap	6	Except 1300cc
10	12G1268	Dowel - main bearing cap	6	1300cc Except 'S'
11	1A1964	Camshaft oil feed restrictor	1	
12	12A1910	Mains bolt	6	Except 1300cc
12	12G1398	Mains bolt	6	1300cc
13	AEG323	Mains stud set (6 studs)	1set	Cooper 'S' only
14	C-AJJ4013	Mains nut set (6 nuts)	1set	Cooper 'S' only
15	12G164	Liner	4	Not 'S' or 1300cc
15	AEG428	Liner (was AEG239)	4	1300cc, all 'S'
16	BHM1240	Camshaft liner bearings (VPC989)	1	1300cc, all 'S'
16	BHM1241	Camshaft liner bearings (VP956)	1	Not 1300cc, 'S'
17	53K2853	Drain plug	1	
18	6K838	Drain plug washer	1	
19	3H576	Tap cylinder drain	1	N.L.A.
20	2A265	Petrol pump blanking plate, (uses CAM6657B gasket)	1	
21	22H983	Engine to gearbox case dowel	1	
22	6K927	Main bearing lock tab except Cooper 'S'/1300cc	6	
23		P15037 - 850 Piston set 8.3 to 1 CR	1	
23		P20773 - 998 Piston set 4 ring	1	
23		P20950 - 998 Powermax flat top piston set	1	
23	ADU4203	- 998 Dished piston set 8.3 to 1 CR	4	Circlip type gudgeon pin
23	ADU3490	- 998 Flat top piston 10.3 to 1 CR	4	Circlip type gudgeon pin
23	TAM2052	- 998 Flat top piston 10.3 to 1 CR	4	Press fit gudgeon pin
23	TAM2054	- 998 Dished piston 8.3 to 1 CR	4	Press fit gudgeon pin
23		P16179 - 1100 Dished piston 8.5 to 1 CR	1	
23		P21250 - 1275 Piston set 9.4 to 1 CR	1	Metric ring sizes
23		P21251 - 1275 Piston set 8.8 to 1 CR	1	Metric ring sizes
23		P21253 - 1275 Piston set 9.7 to 1 CR	1	Metric ring sizes
23		P20747 - 1275 Powermax 9.7 to 1 CR	1	Metric ring sizes
23		P21882 - 1275 Powermax flat top	1	Metric ring sizes
23	C-AJJ3378	- 1275 Omega dished piston set 9.7 to 1 CR	1	20/40/60 oversizes
23	C-AJJ3382	- 1275 Omega flat top piston set	1	20/40/60 oversizes
23	ADU5704	- 1275 Turbo piston 9.4 to 1 CR	4	Std 20 oversize only
23	TAM2050	- 1275 Piston 10.1 to 1 CR	4	Std 20 O/S 12A engine no.
23	TAM2048	- 1275 Piston 9.4 to 1 CR	4	Std 20 O/S 12A engine no.



BRAKE PEDAL AND MASTER CYLINDERS

NO.	PART NO.	DESCRIPTION	QTY	REMARKS
1	21A1065	Brake pedal R/H/D pre 1976	1	NLA
1	21A1066	Brake pedal L/H/D pre 1976.....	1	NLA
2	NAM3112	Brake pedal R/H/D 1976 to 1989	1	
2	NAM3111	Brake pedal L/H/D 1976 to 1989	1	
2	NAM8539	Brake pedal R/H/D servo type master cylinder	1	1989 on
3	2A3034	Brake pedal bush	1	
4	2A5880	Shaft for brake and clutch pedal	1	
5	2A5652	Pedal return spring manual only	1	
6	GPR104	Pedal pad pre 1976	1	
7	GPR107	Pedal pad 1976 to 1990	1	
7	SZU10001	Pedal pad 1990 on	1	
8	GMC153	Brake master cylinder, with .75" bore	1	
8	GMC171	Brake master cylinder, with .70" bore	1	
8	GMC172	Brake master cylinder, with .70" large reservoir	1	Cooper 'S'
9	GMC159	Brake m/cylinder, with .70" bore, round reservoir, tandem ..	1	Front to rear
9	GMC160	Brake master cylinder, with .70" bore, round reservoir	1	Diagonal split
10	GMC167	Brake m/cyl with failure switch on body, square reservoir ..	1	Diagonal split
10	GMC173/198	Brake m/cyl, failure switch on body, use GMC227	1	Front to rear 1980-85
11	GMC192/195	Brake m/cylinder switch on cap, use GMC227	1	Front to rear 1980-85
11	GMC227	Brake m/cyl with failure switch on cap, November 1985 on 1	1	Yellow identity band
12	GMC242	Brake master cylinder for built in servo	1	
13	GRK6010	Reservoir for GMC242	1	
14	GRK1026	Repair kit for GMC153	1	
14	GRK1028	Repair kit for GMC171/2, one end cap seal, one ring seal ..	1	Rubber seals only
15	GRK1006	Repair kit for GMC171/2 with two ring seals	1	Rubber seals only
16	GRK1019	Repair kit for GMC159/160	1	
17	GRK1002	Repair kit for GMC167 metric thread master cylinder	1	
17	GRK1016	Repair kit for GMC173/195/198/192 (Metric union)	1	Pre yellow band
17	GRK1035	Repair kit for GMC227 (yellow identity band) (Metric union)1	1	
18	GRK1032	Repair kit for GMC242 (Metric union)	1	
19	BAU5654	R/H/D brake pipe kit [to convert to GMC227 when	1	When fitting GMC227
19	BAU5655	L/H/D brake pipe kit [GMC173/195/198/192 was fitted	1	12mm lower union
20	AAU3815	Filler cap for GMC159/160	1	NLA
21	513123A	Filler cap for GMC153/171/172	1	
22	AEU1796	Filler cap with failure switch	1	
23	GRK6009	Cap and float switch for GMC242	1	
24	AAU8240	Filler cap and seal GMC167/173	1	
25	37H2769	Push rod for GMC159/160	1	
25	BAU1273	Push rod for GMC173/192/195/198	1	
26	AAU1752A	Brake failure switch on master cylinder body	1	
27	CLZ512	Clevis pin, pedal to cylinder	1	
28	31G840	Gasket under dual master cylinder	1	
29	31G279	Gasket under single line master cylinder	1	
30	13H7557	Inertia valve, L/H/D only 1969 to 1974	1	
30	21A2031	Regulator valve single line MK3 Mini 850/998 only	1	
30	21A1774	Regulator valve single line, MK1/2 plus all Cooper 'S'	1	
31	GRK6002	Repair kit for regulator valve	1	
32	27H6620	Regulator spring for 21A1174	1	
33	FAM7821	Regulator valve, bulkheadmounted 1978 on	1	



SINGLE LINE BRAKE PIPES

NO.	PART NO.	DESCRIPTION	QTY	REMARKS
1	HF14	Master cylinder to 3 way connection R/H/D 13"	1	
1	HF32	Master cylinder to 3 way connection L/H/D 32"	1	
2	HF19	3 way connection to R/H front hose	1	ACB8748
3	21A42	R/H front to L/H front HF44, 43"	1	
4	FAM5010	Connecting pipe, cylinder to cylinder	1	HF10
5	13H1385	3 way to regulator valve, saloon	1	HF101
5	HF105	3 way to regulator valve, van	1	HF105
6	21A47	Regulator valve to R/H rear hose, dry suspension	1	HD6
6	21A1257	Regulator valve to R/H rear hose, hydrolastic suspension	1	HD8
7	21A51	Regulator valve to L/H rear hose, dry suspension	1	HD24
7	13H1120	Regulator valve to L/H rear hose, hydrolastic suspension	1	HD26
8	21A220	R/H rear hose to wheel cylinder, dry suspension	1	HD10
8	21A1621	R/H rear hose to wheel cylinder, hydrolastic suspension	1	HD8
9	21A222	L/H rear hose to wheel cylinder, dry suspension	1	HD10
9	21A1622	L/H rear hose to wheel cylinder, hydrolastic suspension	1	HD8
10	TN606031	Brake pipe female union UNF thread	A/R	Was 11D5050
11	TM606031	Brake pipe male union UNF thread	A/R	Was 3H2249
12	GBH249	Front brake hose	2	Discs
12	GBH170	Front brake hose	2	Drum brakes
13	GBH250	Rear brake hose	2	
14	21A228	Nut for locking hose R/H	1	
14	2K8686	Nut for locking hose L/H	1	
15	233220A	Hose to banjo washer (also on front brake hose)	A/R	
16	11D5263	2 way 90° union UNF thread	1	
17	3H550	Gasket washer	1	
18	7H7995	Banjo bolt to accept switch	1	
19	C16062	Brake light switch	1	
20	21A2031	Regulator valve, 850/998 only MK3	1	
20	21A1774	Regulator valve, MK1/2 plus all Cooper 'S'	1	
	GRK6002	Repair kit for 21A1774 and 21A2031	1	
	GB5001	Brake pipe kit, dry suspension without servo	1	
	GB5002	Brake pipe kit, dry suspension with servo	1	
	GB5001H	Brake pipe kit, hydrolastic suspension without servo	1	
	GB5002H	Brake pipe kit, hydrolastic suspension with servo	1	
	GB1017	Cooper and S mk1	1	
	GB1018	Cooper and S mk 2/3	1	

If servo is fitted:-

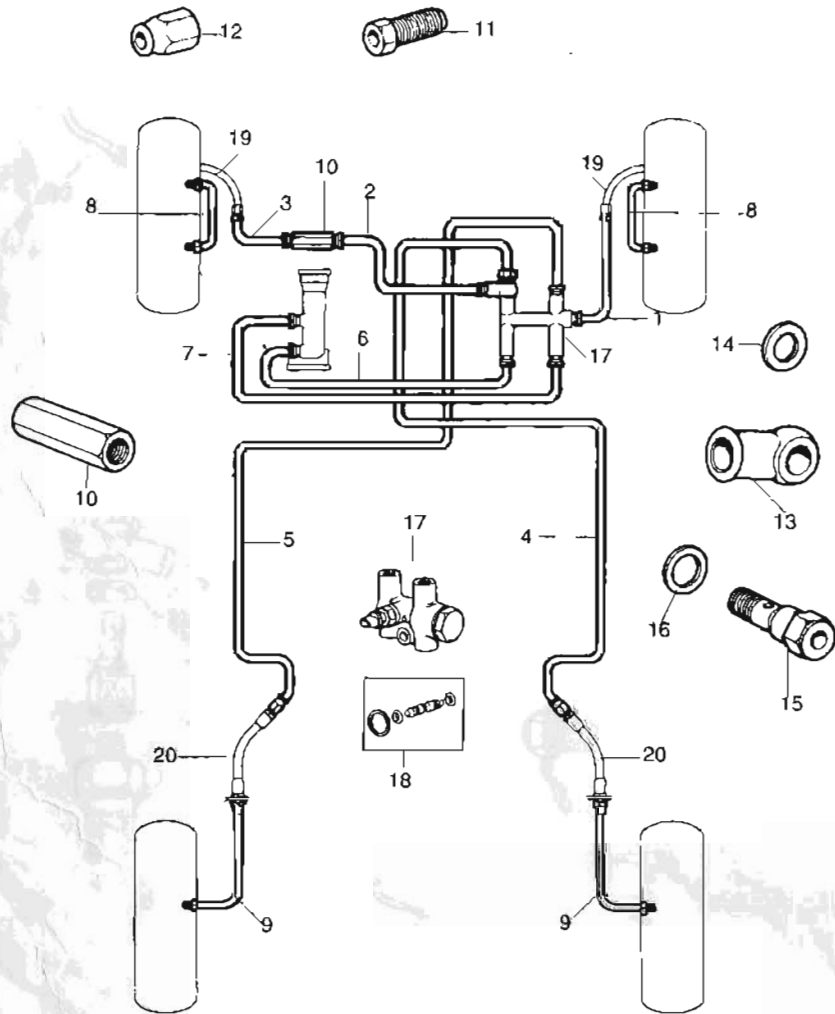
Servo to 3 way 24"	1	R/H/D
Master to servo 30"	1	R/H/D
Master to servo 43"	1	L/H/D

HF prefix denotes male unions both end.

HD prefix denotes one male union end and one female union end.

Number after prefix denotes length in inches, ie. HF10 = male unions at both ends 10" long.

DIAGONAL SPLIT SYSTEM WITH 4 WAY FAILURE SWITCH

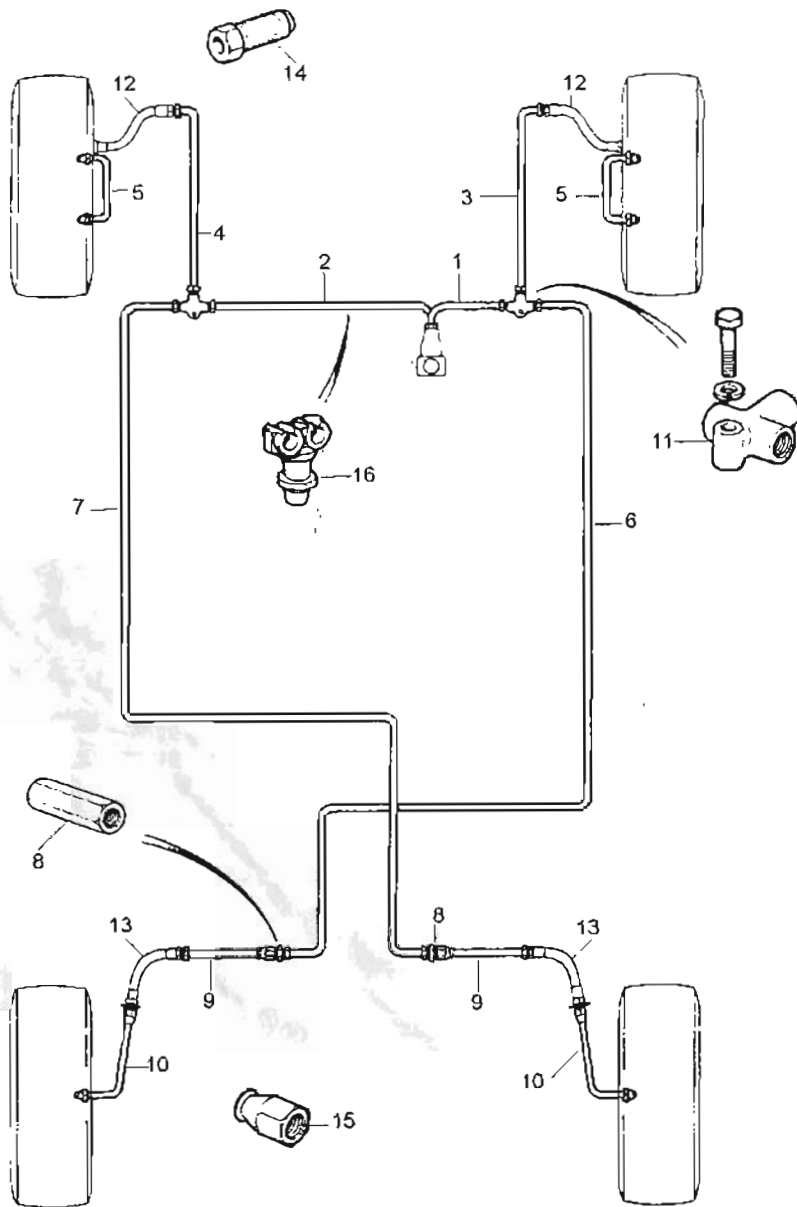


NO.	PART NO.	DESCRIPTION	QTY	REMARKS
1	HF17	4 way to R/H front hose 16"	1	
2	HF28	4 way to BCA4002 connector 29"	1	
3	HF17	BCA4002 connector to L/H/F hose 17"	1	
4	HD96	4 way to R/H rear hose 96" (101" van)	1	
5	HD116	4 way to L/H rear hose 116" (120" van)	1	
6	HF30	4 way to master cylinder L/H/D 30"	1	
6	HF9	4 way to master cylinder R/H/D 8.5"	1	
7	HF32	4 way to master cylinder L/H/D 32"	1	
7	HF10	4 way to master cylinder R/H/D 9.5"	1	
8	HF10	Bridge pipe between wheel cylinders.....	2	Drum brakes only
9	HD10	Rear hose to wheel cylinder	2	
10	BCA4002	Pipe connector UNF thread	1	
11	TM606031	Male union UNF thread.....	A/R	
12	TN606031	Female union UNF thread	A/R	
13	7H7853	Banjo for 4 way failure switch	1	NLA
14	233220	Copper washer	1	
15	21A2518	Banjo bolt for failure switch	1	NLA
16	3H550	Copper washer for 21A2518.....	1	
17	13H5905	4 way failure switch.....	1	NLA
18	BAU1704A	Repair kit for 13H5905.....	1	
19	GBH170	Front brake hose.....	2	Drum brakes
19	GBH249	Front brake hose.....	2	Disc brakes
20	GBH250	Rear hose	2	

HF Denotes male unions at both ends

HD Denotes one male union end and one female union end

DIAGONAL SPLIT R/H/D



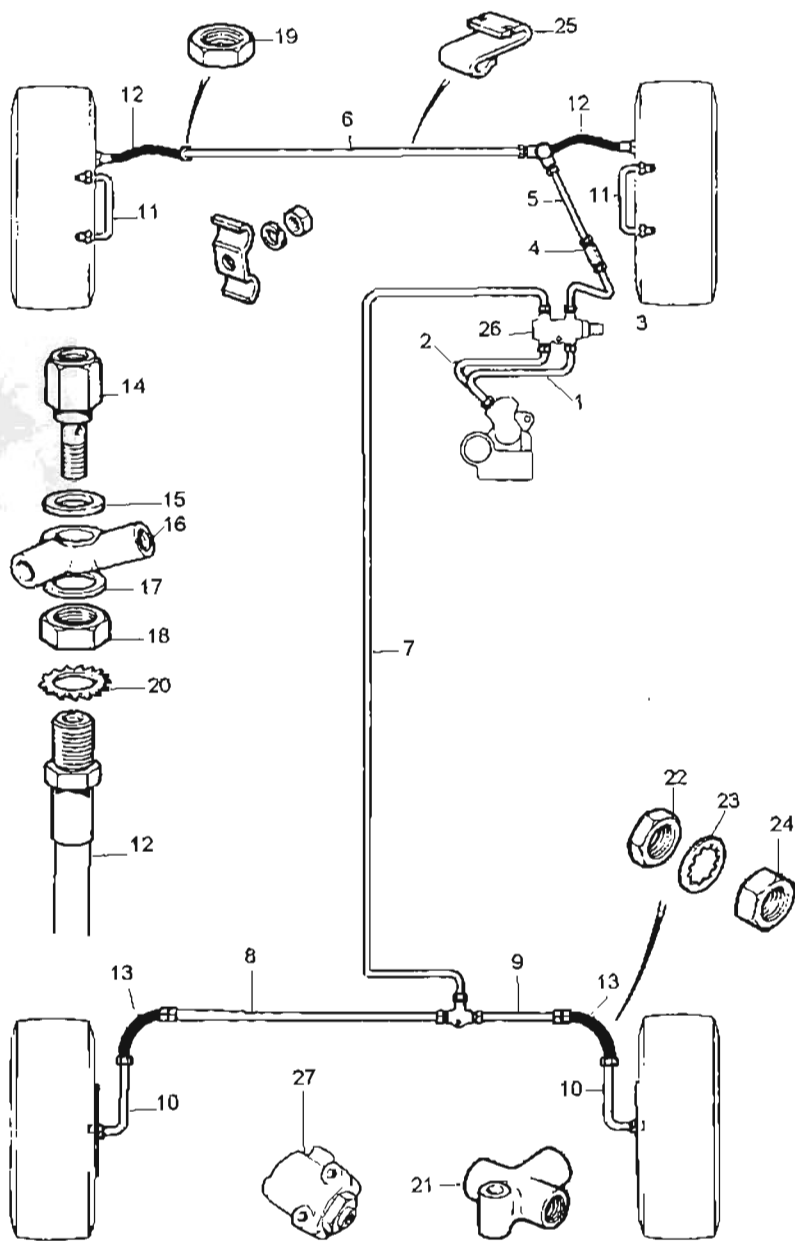
NO.	PART NO.	DESCRIPTION	QTY	REMARKS
1	HF10	Master cylinder to front 3 way R/H 9.5"	1	
2	HF32	Master cylinder to front 3 way L/H 32.5"	1	
3	HF17	R/H 3 way to front R/H hose 16.5"	1	
4	HF19	L/H 3 way to front L/H hose 18.5"	1	
5	HF10	Cylinder to cylinder bridge pipe 10"	2	
6	HMV118	R/H 3 way to rear L/H connector 117.5"	1	Saloon
6	HMV122	R/H 3 way to rear L/H connector 121.5"	1	Van
7	HMV114	L/H 3 way to rear R/H connector 113.5"	1	Saloon
7	HMV118	L/H 3 way to rear R/H connector 117.5"	1	Van
8	BMK2466A	Connector tube, metric (delete on new brake pipe kit)	2	
9	HMO8	Connector tube to rear hose 7"	2	
10	HD10	Wheel cylinder to hose	2	
11	3H2424	3 way connector	2	
12	GBH170	Front brake hose	2	Drum brakes
12	GBH249	Front brake hose	2	Disc brakes
13	GBH250	Rear brake hose	2	
14	TM606031	Male union UNF thread	A/R	
14	TM110051	Male union metric was BHA5234	A/R	
15	TN606031	Female union UNF thread	A/R	
15	TN110051	Female union metric thread was 13H9325	A/R	
16	13H9593	Clip, brake pipe to dash	A/R	
	GB5014	Complete brake pipe kit	1	

CODE PREFIX TO HELP IDENTIFY ENDS ON BRAKE PIPES

HD	UNF male end and female UNF end
HF	UNF male end and UNF male end
HMO	Metric male end and UNF female end
HMV	Metric male end and UNF male end
HMV	Male metric and male UNF
HMK	Male metric and male metric
HML	Male metric and female metric
HX	Female UNF and female metric
HMA	Male UNF and female metric
HMO	Metric male and UNF female

The number following the prefix = length in inches, ie. HF10 is UNF male both ends and 10" long. For example, if changing pipe number 6 and you are deleting number 8 (BMK2466A connector) you would then require a pipe with one male end and one female end both UNF. This is a HD type and would need to be the original length of 117.5" plus 1" for the connector, plus 7" for the number 9 pipe, which equals 125.5", therefore, HD126 which is in the brake pipe kit would service those parts.

BRAKE PIPES - FRONT TO REAR



NO.	PART NO.	DESCRIPTION	QTY	REMARKS
1	HMK9	Master cylinder to PDWA (part of BAU5654 kit)	1	No servo
1	HMK11	Master cylinder to PDWA	1	With servo
2	HMK14	Master cylinder to PDWA (part of BAU5654 kit)	1	No servo
2	HMK26	Master cylinder to PDWA	1	With servo
3	HMK8	PDWA to BMK2466A connector	1	
3	HML8	PDWA to number 5 when connector number 4 deleted	1	Servo type
4	BMK2466A	Metric female connector	1	Can be omitted
5	HMV11	Connector to front hose Banjo	1	
5	HMV13	When number 4 connector is deleted use this pipe	1	
6	HF44	Front hose bridging pipe	1	
7	HMV102	PDWA to rear T piece junction	1	No servo
7	HMV96	PDWA to rear T piece junction	1	With servo
8	HF25	3 way piece to N/S/R hose	1	
9	HF6	3 way piece to O/S/R hose	1	
10	HD10	Wheel cylinder to hose rear	2	
11	HF10	Front wheel cylinder bridge pipe	2	Drum brakes only
12	GBH170	Front brake hose	2	Drum brakes only
12	GBH249	Front brake hose	2	Disc brakes
13	GBH250	Rear brake hose	2	
14	C5192	Banjo bolt	1	
15	3H550	Gasket washer	1	
16	21A654	Connecting Banjo UNF	1	
17	233220A	Hose to Banjo gasket	1	
18	21A228	Nut for locking hose to subframe R/H	1	
19	2K8686	Nut for locking hose to subframe L/H	1	
20	WE600101	Lockwasher	2	
21	3H2424	3 way union UNF thread	1	
22	NT606041	Hose to radius arm nut	4	
23	GHF323	Washer for NT606041	4	
24	GHF202	Nut	4	
25	11K9181	Clip, pipe to subframe	2	
26	FAM7821	Pressure differential warning activator	1	1978 on
26	13H5905	4 way failure switch, N.L.A.	1	Up to 1975 L/H/D
27	13H7757	Inertia valve, MK3 L/H/D where applicable	1	Up to 1975 L/H/D
	GB4999	Brake pipe kit	1	

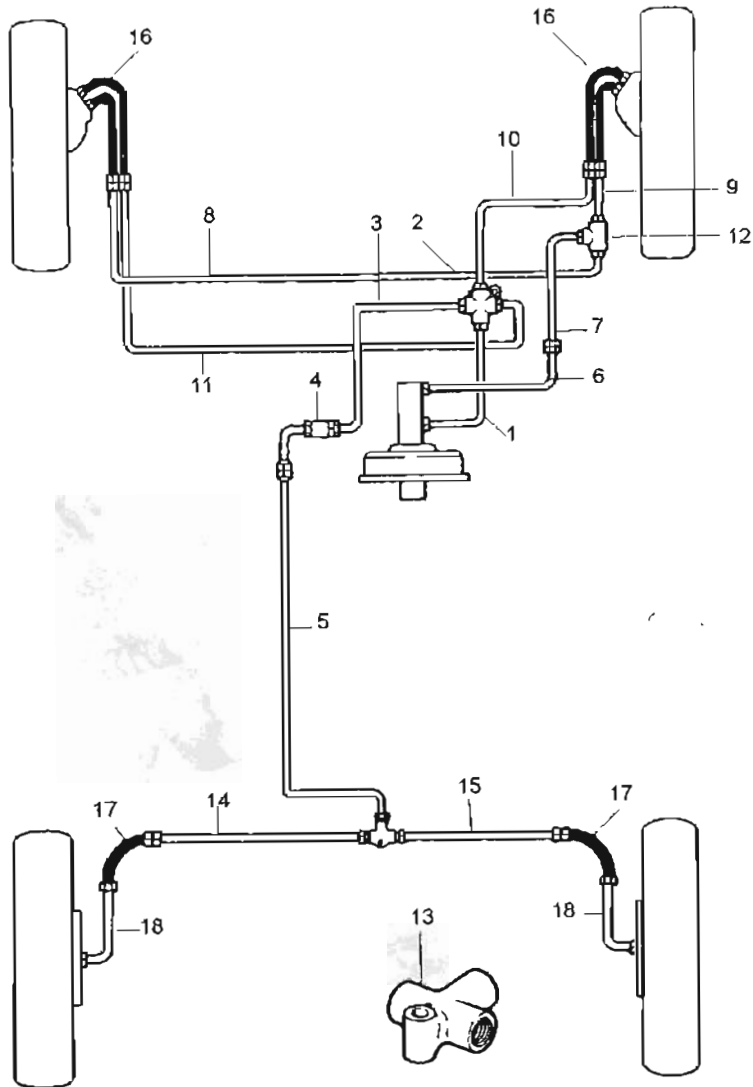
Code prefix to help identify ends on brake pipes.

Number following prefix = length in inches, ie. HMK9 = metric males union both ends 9" long.

HF	Male UNF and male UNF ends
HD	Male UNF and female UNF end
HMK	Male metric and male metric ends
HML	Male metric and female metric ends
HMV	Male metric and male UNF

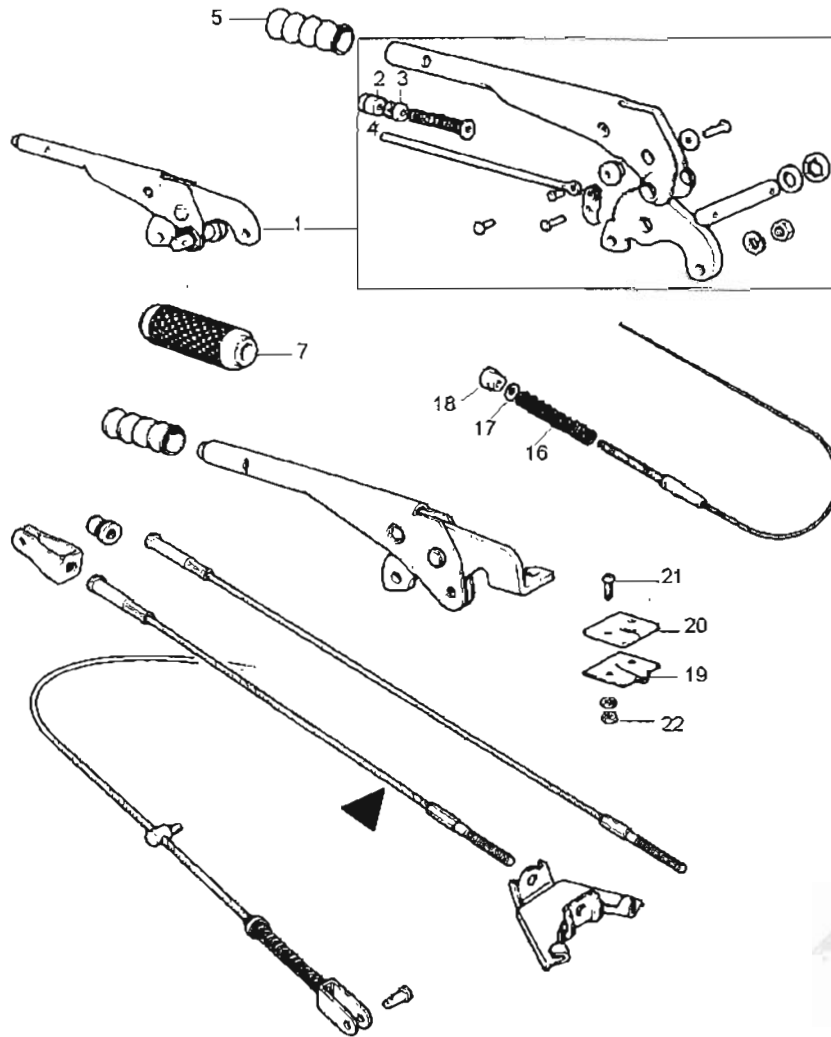
BRAKE PIPES ERA TURBO ONLY

(PARTS TO SPECIAL ORDER ONLY - SUBJECT TO AVAILABILITY)

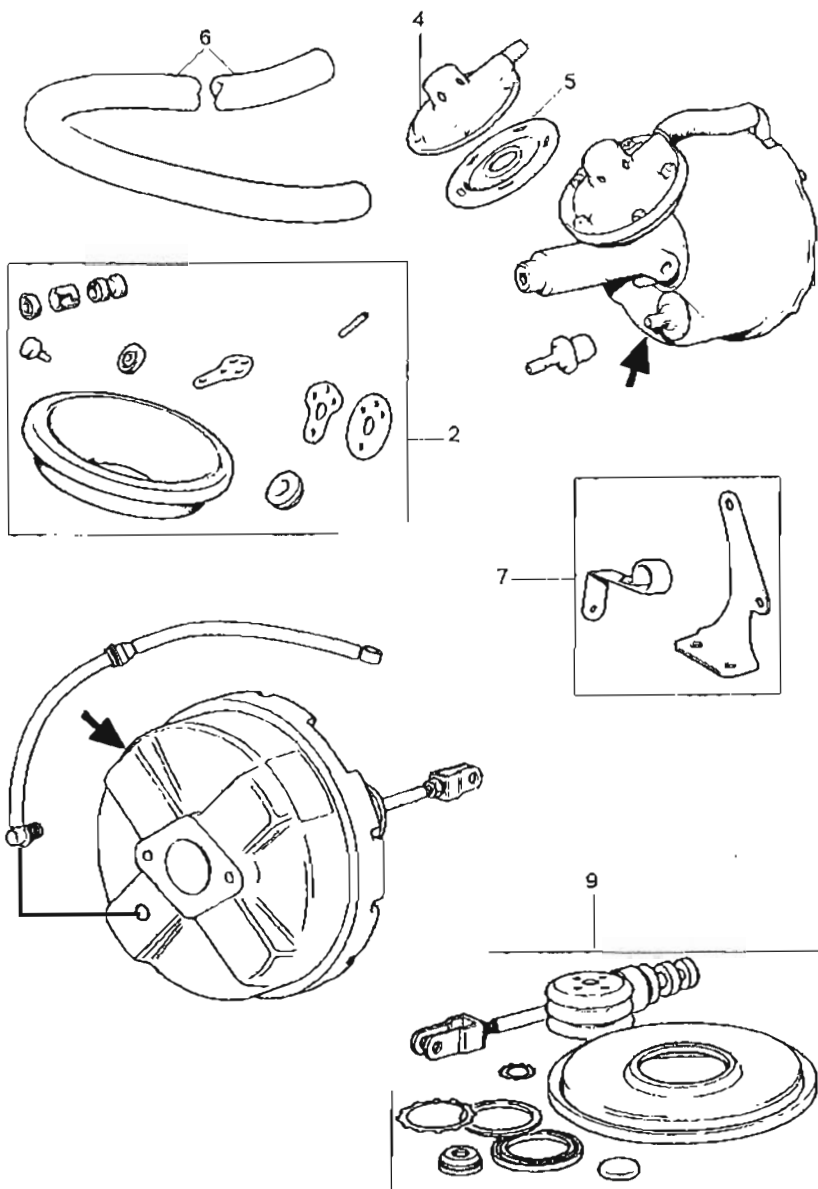


NO.	PART NO.	DESCRIPTION	QTY	REMARKS
1	HMK36	Servo to 4 way 36" long.....	1	
2	ERA1171	4 way union.....	1	
3	ERA1195	4 way to reducer valve.....	1	
4	ERA1053	Reducing valve (price at 1993 £41.50).....	1	
5	ERA1194	Reducing valve to 3 way.....	1	
6	HMK18	Servo to joiner 17.5" long.....	1	
7	ERA1056	Joiner to front 3 way.....	1	
8	ERA1057	3 way to L/H front hose.....	1	
9	ERA1058	Front 3 way to R/H hose.....	1	
10	ERA1131	4 way to R/H front hose.....	1	
11	ERA1132	4 way to L/H front hose.....	1	
12	ADU9562	3 way connector.....	1	
13	3H2424	Rear 3 way connector UNF.....	1	
14	HF26	Rear 3 way to L/H hose.....	1	
15	HF6	Rear 3 way to R/H hose.....	1	
16	GBH246	Front brake hose.....	4	
17	GBH249	Rear hose.....	2	
18	HD10	Hose to rear cylinder.....	2	

HANDBRAKE LEVER AND CABLES



NO.	PART NO.	DESCRIPTION	QTY	REMARKS
1	FAM9060	Handbrake lever, twin cable to 1976	1	N.L.A.
2	21A907	Release knob for FAM9060 only	1	
3	21G5042	Anti rattle felt washer	1	Special order
4	13H4217	Starlock washer for rod	1	Special order
5	13H5541	Handbrake grip	1	
6	NAM6491	Handbrake lever, single cable	1	1976 on
7	FAM8356	Handbrake grip	1	
8	GVC1022	Handbrake cable, dry suspension saloon	2	When FAM9060 fitted
8	GVC1020	Handbrake cable, van, estate, pick-up	2	When FAM9060 fitted
8	GVC1021	Handbrake cable, hydrolastic suspension	2	When FAM9060 fitted
9	GVC2135	Handbrake cable, front saloon, was GVC1035	1	When NAM6491 fitted
10	FAM625	Handbrake front cable van, estate, pick-up	1	When NAM6491 fitted
11	GVC2134	Handbrake rear cable, wheel to wheel, was GVC1034	1	When NAM6491 fitted
12	CLZ409	Clevis pin	2	
13	31G5049	Adjusting nut - front cable to fork end	1	When NAM6491 fitted
14	FAM628	Fork end	1	When NAM6491 fitted
15	FAM621	Compensator where cables meet	1	When NAM6491 fitted
16	ACH8508	Adjusting spring	2/1	Qty reduced NAM6491
17	PWZ204	Washer	2/1	Qty reduced NAM6491
18	2A5858	Adjusting nut (twin cable only)	2	When NAM9060 fitted
19	ACA5522	Fair lead for cable	2/1	Qty reduced NAM6491
20	21A385	Sealing pad for fair lead	2/1	Qty reduced NAM6491
21	SE910201	Screw was PMZ310	4/2	Qty reduced NAM6491
22	GHF206	Nut for screw	4/2	Qty reduced NAM6491



BRAKE SERVO UNIT REMOTE TYPE

NO.	PART NO.	DESCRIPTION	QTY	REMARKS
1	21A1293	Servo assembly MK1/2 'S'	1	NLA
1	13H7939	Servo MK3 'S' used on conversion for all Minis	1	Single line only
2	18G8189	SSB1036 servo repair kit for 21A1293	1	
2	18G8938	Servo repair kit for 13H7939	1	
3	17H2646	Non return valve on 21A1293 servo	1	CWE
3	606030A	Non return valve on 13H7939 servo	1	
4	37H3812	Air valve cover and filter	1	NLA
5	517729	Air valve diaphragm for 13H7939 servo	1	
5	17H8834	Air valve diaphragm for 21A1293 servo	1	NLA
6	SPL116	Brake servo hose, per foot	A/R	
7	21A1294	Pair of servo brackets for 21A1293	1	MK1/2
7	21A2254	Pair of servo brackets for 13H7939	1	MK3
	MSSK7	Servo fitting kit for 13H7939 to all Minis	1	NOT SHOWN

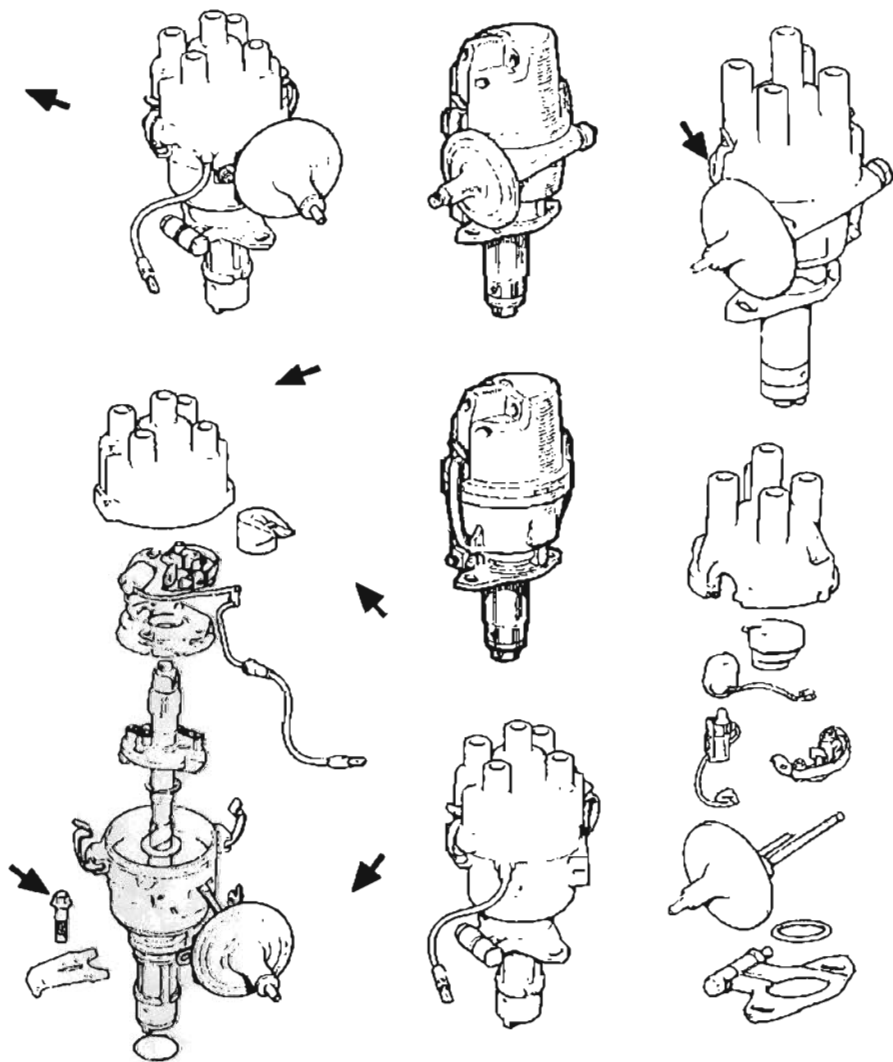
BRAKE SERVO (NON REMOTE) ATTACHED TO MASTER CYLINDER 1989 ON

NO.	PART NO.	DESCRIPTION	QTY	REMARKS
8	GSM119	Servo	1	
9	GSM120	Repair kit	1	
10	NAM8568	Pipe with return valve	1	
10	SQB10036	Pipe with return valve	1	Fuel injected

GUIDE TO TYPE OF SERVO AND KIT REQUIRED

18G8189	7" diaphragm with 0.5625" central hole	1	For 21A1293
18G8938	6.75" diaphragm with 2.4" central hole	1	For 13H7939

DISTRIBUTORS

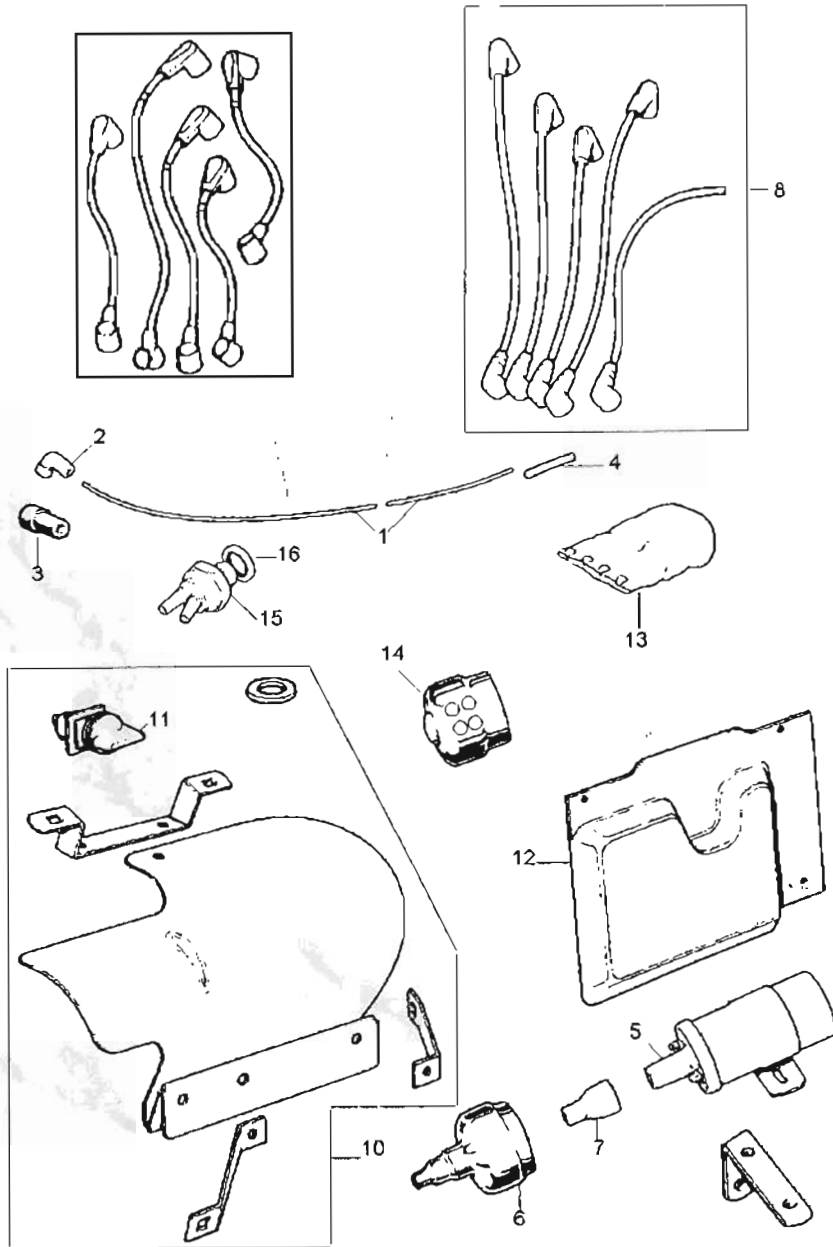


NO.	PART NO.	DESCRIPTION	QTY	REMARKS
1	12G2140	25D 'S' distributor (40819)	1	NLA
2	GEU930	25D Distributor	1	NLA
3	32H188	250 Distributor 850/998cc use BAU1962	1	NLA
4	GDC102	25D Type side entry distributor cap	1	
5	GDC103	25D Top entry distributor cap	1	
6	GRA2101	25D Type rotor arm	1	Pre 1974
7	GSC2111	25D Condenser	1	Pre 1974
8	GCS2101	25D Contact set	1	Pre 1974
8	GCS111	25D Contact set Cooper 'S'	1	32oz spring
9	37H2981	Low tension bush and lead	1	
10	37H3840	Vacuum unit, 25D4 type	1	CWE
11	513682A	'O' ring on spindle	1	
12	501134	Plate for retaining distributor pre 1981	1	CWE
13	BAU1962	45D Distributor with vacuum unit	1	Pre A plus
13	12G4180	45D Distributor 1275GT	1	Pre A plus
14	BAU1850	45D Distributor no vacuum unit 'S' spec	1	Pre A plus
15	ADU3766	45D Distributor A plus, 998cc	1	
15	ADU5789	45D Lead free A plus, 998cc	1	
15	ADU4049	59D Lucas distributor, 998cc	1	
16	GDC136	45D/59D Lucas distributor cap top entry	1	
16	GDC214	Ducellier distributor cap	1	
16	GDC142	Lucas distributor cap side entry, alternative to GDC136	1	
16	GDC156	Lucas distributor cap (held on by 2 bolts)	1	Electric ignition 1974 on Lucas
17	GRA2114	Lucas rotor arm	1	
17	GRA2123	Ducellier rotor arm	1	
17	GRA2128	Rotor arm for GDC142	1	
17	GRA2143	Rotor arm	1	Electric ignition 1974 on
18	GSC2109	45D/59D Lucas condenser	1	
18	GSC2113	Ducellier condenser	1	
19	GCS2118	45D Lucas contact set	1	1974 to 1980
19	GCS2111	45D Lucas contact set Cooper 'S'	1	
19	GCS2124	59D Lucas contact set	1	1980 on
19	GCS2119	Ducellier contact set	1	
20	37H8225	45D Lucas vacuum unit	1	Pre 1976
20	37H8414	45D/59D Lucas vacuum unit, 45D 1976 on	1	59D 1980 on
20	37H8379	45D vacuum unit 1275GT	1	
20	BAU5252	Ducellier vacuum unit	1	
21	CAM6105	Clamp bolt for fixing A plus distributor to 1985	1	
21	TAM1706	Clamp bolt for fixing A plus distributor	1	1985 on
22	613857A	Clamp for A plus distributor to 1985	1	
22	TAM1671	Clamp for A plus distributor	1	1985 on

REPLACEMENT RANGE FOR ROAD/OR MODIFIED ENGINE FROM 45D TYPE DISTRIBUTORS

13	C-27H7766	Distributor with vacuum unit 45D	Pre A plus
14	ALDON Y	Distributor no vacuum unit	Pre A plus
14	ALDON Y+	Distributor no vacuum unit	A plus
14	ALDON R	Distributor no vacuum unit (RACE ONLY)	Pre A plus

COIL, VACUUM CONTROL PIPES, IGNITION CABLES AND SHIELDS

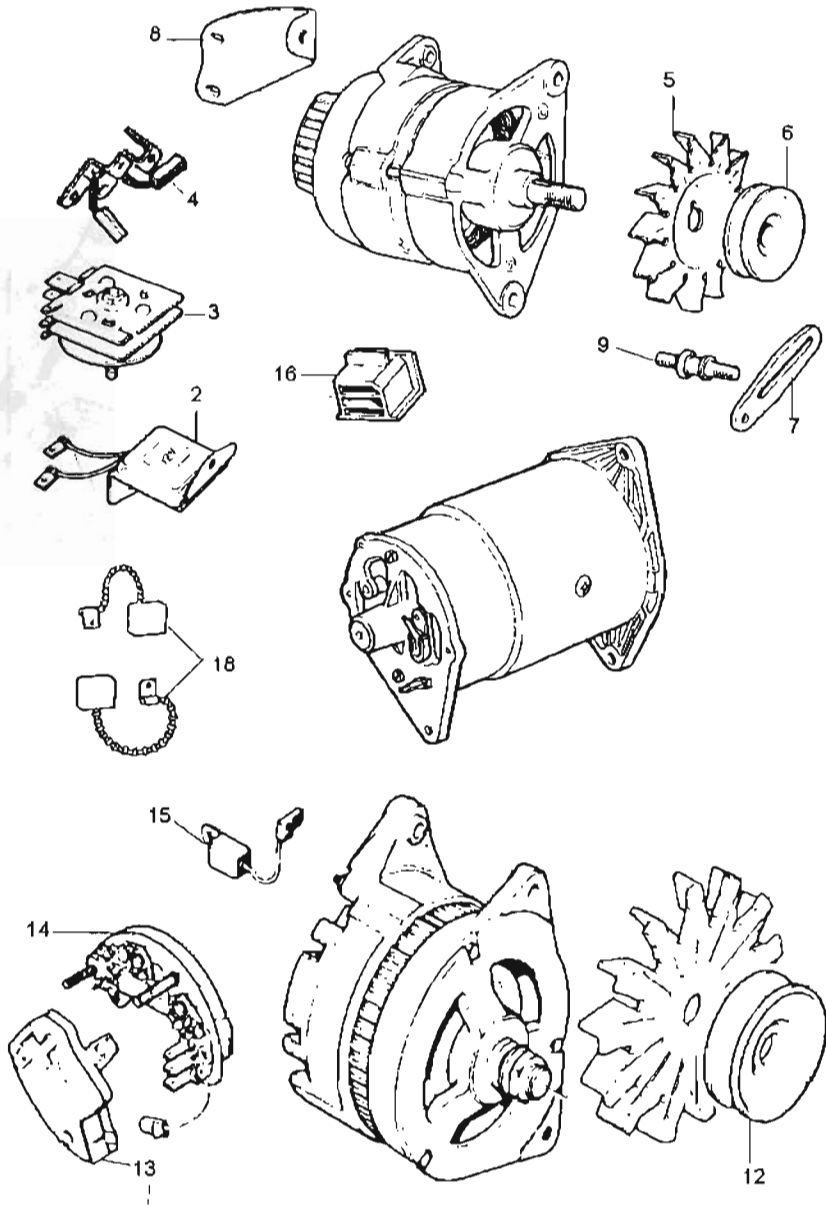


NO.	PART NO.	DESCRIPTION	QTY	REMARKS
1	37H4229M	Vacuum plastic pipe	1	(Supplied per metre)
2	12B2062	Angled connector	2	
3	12B2095	Straight connector neoprene	1	
4	ACH9041	Straight original connector, rubber	A/R	(Old metal pipe)
5	GCL110	Ignition coil	1	
5	GCL111	Ignition coil (cold start).....	1	1984-90
5	GCL143	Electronic ignition coil	1	1989 on ERA/Cooper
5	GCL132	Ballast coil, was GCL144/GCL138	1	1990 on
6	8G727	Coil cover	1	CWE
7	12H3244	Sealing cover for coil	1	NLA
8	SUP4	Copper ignition lead set.....	1	
9	GHT241	Ignition lead set	1	
9	C-27H7779	Silicon hi-performance lead set	1	
9	KQ31	8mm Silicon lead set.....	1	
10	GDS101	Ignition shield kit large	1	Clubman
10	BHM1675	Ignition shield kit large	1	Mini
11	13H6461	Shield turn button kit.....	3	
12	GDS102A	Ignition shield kit, small	1	Saloon
12	BHM773	Ignition shield kit, was GDS107	1	Van
13	AUU1104	Distributor plastic bag cover	1	
14	8G726	Early side entry cap rubber cover, CWE	1	For GDC102
15	MAQ10002	Switch, in thermostat, direct for feed from vacuum unit	1	1992 on
16	MAW10001	Seal for vacuum switch	1	1992 on
17	12G2994	Coil bracket	1	

PISTON RINGS AND SIZES

Engine and Bore Size	Ring including oil ring and ring size	Rings Hepolite part number	Rings Rover part number STD/20 only	Piston part number	Piston shape	Remarks
850cc 62.916mm 2.477" STD 20/30/40/60	4 3x.070" 1x1.125"	RA8576	BHM1161	12A120		Use 15037
	5 3x.070" 2x0.125"	RA8577		15037		
Cooper 998cc 2.542" STD 20/30/40/60	3 2x.0625" 1x0.1575"	R39400		20950	Flat top 20950 9.7 CR	Powermax was 18516
	4 3x.0625" 1x0.125"	R32026	BHM1162	12A674	Flat top with raised 'D'	Rings also fit 18516
998cc	4 3x.0625" 1x0.125"	R32026	BHM1162	12A673 16309	Dished piston 8.3	To 1979
	4 3x.0625" 1x.1575"	R33636	BHM1281	ADU3920	Flat top 10.3 to 1 CR	1980 on, until changed to 3 ring piston
2.542"	4 3x.0625" 1x.1575"	R33636	BHM1281	ADU3922 20773	Dished 8.3 to 1 CR	
	3 2x.0625" 1x.1575"	R39400	BHM1415	ADU3490 20754	Flat top 10.3 to 1 CR	3 ring pistons up to introduction of press fit gudgeon pin, 1988
STD 20/30/40/60	3 2x.0625" 1x.1575"	R39400	BHM1415	ADU4203	Dished 8.3 to 1 CR	
	3 2x.059" 1x.1181"	R43240	BHM1629	TAM2052 22463	Flat top	Press fit gudgeon pin only 1989 on
1100cc 64.567mm 2.542" STD 20/30/40/60	3 2x.059" 1x.1181"	R43240	BHM1629	TAM2054 22464	Dished 21695	
	4 3x.0625" 1x.1249"	R32026	BHM1162	12G758 use 20397		
1275cc	5 3x.0625" 2x.1250"	R17927		Not Mini 16179		Morris Minor MG 1100/Sprite
	4 3x.0625" 1x.1575"	R33636	BHM4418		Dished 20397	
70.625mm 2.780"	4 3x.0625" 1x.1562"	R21576	BHM1164	17271	Dished 8.8 CR	1275GT and 1275cc non 'S'
	4 3x.0625" 1x.1562"	R21576	BHM1284	20394	Dished 8.8 CR	1275GT and 1275cc non 'S'
2.780" STD 20/30/40/60	3 2x.0591" 1x.1575"	R35960		21251	Dished 8.8 CR	Latest Metric sized piston
	4 3x.0469" 1x.1562"	R19520 CWE Can use R39380	BHM1165 STD/20 oversize	AEG143	Dished 9.7 CR	Original 'S' and 1300GT, Use 21253
2.780" 70.625mm Powermax Competition STD + 20/40/60	3 2x.0625" 1x.1562	RA26686	BHM1166	19320	Dished 9.7 CR	Later 'S' and 1300GT/1275GT
	3 2x.0591" 1x.1181"	R41570	BHM1628	21253 TAM2050 TAM2048	Dished 9.7 CR Dished 10.1 CR Dished 9.4 to 1	Metric sized piston
2.780" 70.625mm Powermax Competition STD + 20/40/60	3 2x.0591" 1x.1575"	R35960		21250	Dished 9.4 to 1 CR	Metric sized piston
	3 2x.0625" 1x.1575"	BHM1260		ADU5704	Turbo, Dished 9.4 to 1 CR	
2.780" 70.625mm Powermax Competition STD + 20/40/60	3 2x.0469" 1x.1562"	R39360 CWE Can use R19520		18517 18518	Dished 9.7 CR Flat top	Forged, use 20747 Use 21882
	3 2x.0469" 1x.1575"	R39380		20747	6.6cc Dish 9.7 to 1 CR	Squeeze cast
OMEGA 2.780mm	3 2x.0469" 1x.1562"	R39380		20739	Flat top	Squeeze cast, use 21882
	3 1x.0394" 1x.0469" 1x.1181"	R41720		21882	Flat top	Squeeze cast
OMEGA 73.5mm	2x.047" 1x.1575"	C-AJJ3379		C-AJJ3378 C-AJJ3382	Dished Flat top	Hi-grade cast light alloy
	2x.047" 1x.1575"	OMEGA R73.5		See Special Tuning	7 or 11cc Dish or Flat top	Hi-grade cast light alloy
OMEGA 74mm	2x.047" 1x.1575"	OMEGA R74			7 or 11cc Dish or Flat top	Hi-grade cast light alloy
	2x.0591" 1x.1575"	R39390		P20659	Dished 9.6 CR	Squeeze cast 1275 to 1380cc

ALTERNATOR, DYNAMO AND FITTINGS

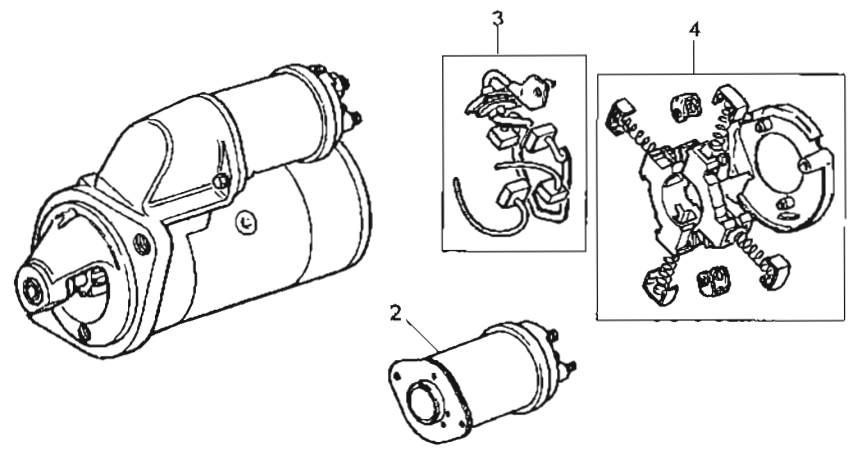
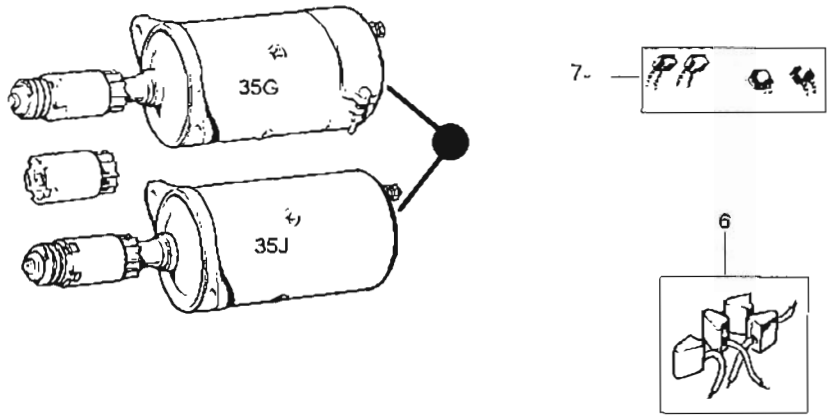


NO.	PART NO.	DESCRIPTION	QTY	REMARKS
1	GEU205MS	Rebuilt alternator.....	1	16/17ACR
1	GXE2257	A115/45 alternator.....	1	1980-85
2	BAU4443A	Regulator not GXE2257.....	1	NLA
3	BAU2288A	Rectifier not GXE2257.....	1	
4	GGB504	Brush set not GXE2257.....	1	
4	GGB512	Brush set for GXE2257.....	1	
5	17D11	Dynamo fan.....	1	CWE
5	C37222A	Fan for 12G1054 when alternator.....	1	16/17 ACR
5	AAU3956A	Lucas fan for BAU1461.....	1	16/17 ACR
6	12G1054	Pulley 2.750" wide for dynamo and alternator.....	1	16/17 ACR
6	BAU1461	Pulley 2.500" wide for alternator.....	1	16/17 ACR
7	12G2627	Adjustment bracket link.....	1	Automatic
8	12G1053	Pre A plus fitting bracket.....	1	
8	CAM4853	A plus fitting bracket.....	1	
9	12G289	Pillar for adjustment bracket.....	1	
10	GXE2297	A127/45 Alternator, was GEU2276.....	1	1985 on
11	AUU1097	Fan.....	1	1985 on
12	ADU7778	Pulley.....	1	1985 on
13	BAU5265	Regulator.....	1	1985 on
14	BAU5813	Rectifier.....	1	1985 on
15	BAU4924	Capacitor.....	1	1985 on
16	GEU250	Fitting plug for wires to 16/17 ACR alternator.....	1	
17	GEU1101	Dynamo.....	1	
18	GGB102	Brush set.....	1	

1980-85 an A115/45 alternator was fitted which is GEU2257 special assembly.

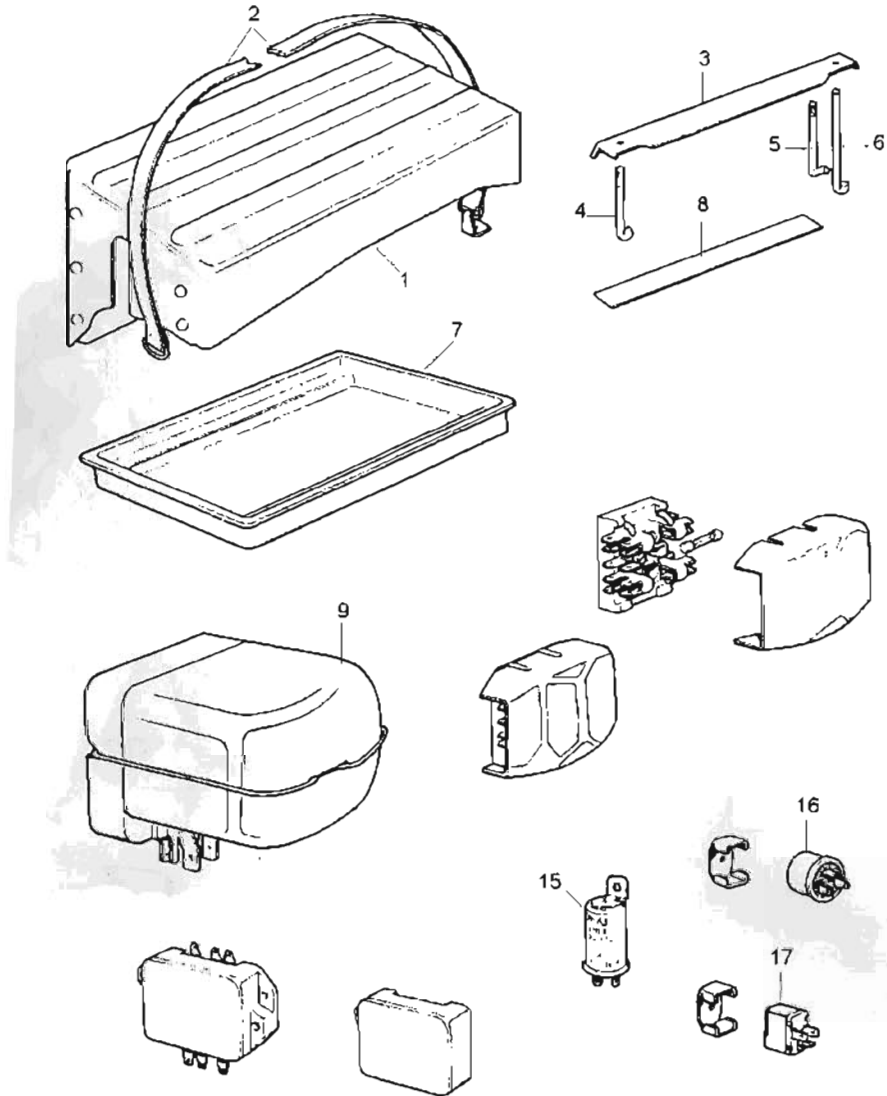
STARTERS AND SOLENOIDS

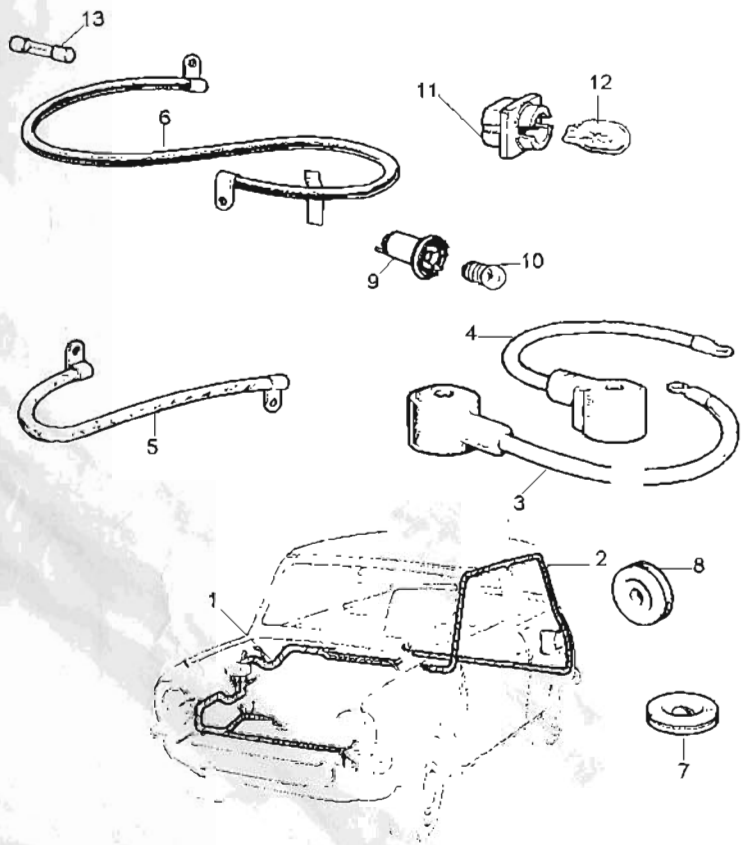
NO.	PART NO.	DESCRIPTION	QTY	REMARKS
1	GXE4527	Pre engaged starter, was GEU4527.....	1	1985 on
2	NAF10004	Solenoid, pre engaged.....	1	
3	BAU5446	Brush kit.....	1	
4	BAU5849	Kit - brush box assembly.....	1	
5	GEU9404	Starter.....	1	
6	GSB105	Brush kit 35J type.....	1	
7	GSB102	Brush kit 35G type.....	1	
8	67H5010	Pinion assembly 9 teeth.....	1	
9	13H5952	Starter solenoid.....	1	
10	17H5260	Floor switch starter solenoid.....	1	
11	5L24	Switch knob.....	1	NLA
12	YWB10032	Starter relay for pre engaged starter, was DCR1820A.....	1	1985 on (Not Shown)



BATTERY FIXINGS, CONTROL/FUSE BOXES AND FLASHER UNITS

NO.	PART NO.	DESCRIPTION	QTY	REMARKS
1	5L877	Ribbed battery box cover.....	1	
2	14A7776	Cover strap.....	1	
3	14A8195	Battery bar.....	1	Van
3	HAM2457	Battery bar saloon.....	1	Saloon
4	5L1158	Rear battery bolt.....	1	Saloon
5	5L1159	Front battery bolt.....	1	Saloon
6	24A134	Battery bolt long.....	2	NLA Van
7	14A7826	Battery tray.....	1	NLA Van
8	37H3743M	Packing for battery box.....	A/R	NLA
9	GEU6603	Control box.....	1	Mini
10	606253A	Fuse box.....	1	
11	505158A	Fuse cover.....	1	
12	GFS15	15 amp fuse.....	A/R	
12	GFS25	25 amp fuse.....	A/R	
12	GFS35	35 amp fuse.....	A/R	
13	RTC440A	Fuse box.....	1	1976 on
14	518995A	Cover for RTC440A.....	1	
15	GFU2103	Flasher unit.....	1	
16	GFU2125	Flasher unit, was GFU2124.....	1	
17	GFU2204	Hazard warning unit.....	1	
17	GFU2208	Flasher unit.....	1	Fuel injected





WIRING LOOMS AND CABLES

MAIN LOOM WITH DYNAMO

NO.	PART NO.	DESCRIPTION	QTY	REMARKS
1	5L191	Braided wiring loom floor start	1	Mini MK1
1	5L503	Braided wiring loom	1	Mini & Cooper MK1
1	5L224	PVC wiring loom	1	Mini & Cooper MK1
1	5L594	PVC wiring loom	1	Mini & Cooper MK2
1	5L518	Braided wiring loom	1	Cooper 'S' MK1
1	5L691	Braided wiring loom	1	Cooper 'S' MK2
1	5L832	PVC wiring loom	1	Cooper 'S' MK2
1	5L954	PVC wiring loom	1	'S' MK3 998 Mini pre 1976

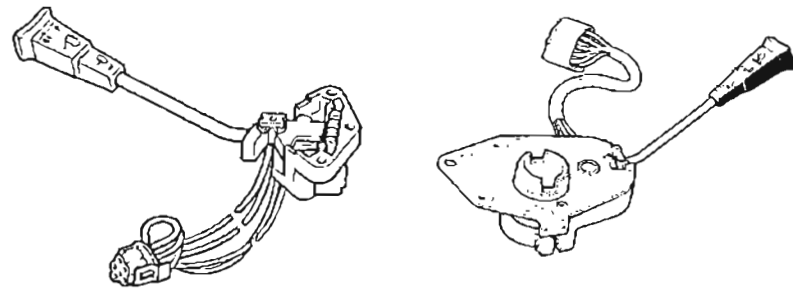
MAIN LOOM WITH ALTERNATOR

NO.	PART NO.	DESCRIPTION	QTY	REMARKS
1	5L670	Braided wiring loom	1	Mini & Cooper MK1
1	5L672	Braided wiring loom	1	Cooper 'S' MK1
1	5L692	Braided wiring loom	1	Cooper 'S' MK2
1	5L1331	PVC wiring loom	1	'S' MK3 & 998 pre 1976
1	5L1334	PVC wiring loom, 1275GT 1971 to 1975.....	1	Special order only
1	HAM1200	PVC wiring loom, 1275GT 1976 on.....	1	Special order only
Most main looms now have rear loom also.				
2	5L502	Rear loom braided non heated backlight.....	1	MK1/2
2	5L638	Rear loom PVC non heated backlight	1	MK3
2	5L875	Rear loom heated backlight.....	1	MK3 pre rev lamp
3	5L885	Main cable positive to solenoid, use YTA10037.....	1	Saloon, N.L.A.
3	5L887	Main cable positive to solenoid	1	Van
3	AUU1089	Main cable positive to solenoid, 134" long.....	1	Pre-engaged starter 1985-91
3	YTA10037	Main cable 127" long	1	Pre-engaged starter 1991 on
4	5L888MS	Negative to earth lead from battery.....	1	5L924 original
5	5L1137	Cable, body to engine earth	1	
6	5L925	Cable, solenoid to starter, 24" long	1	
7	14A7033	Floor grommet/toe board.....	3	
8	RFR210	Plug, dash panel and hole in dash.....	2	
9	AEU1313A	Bulb holder for speedo	A/R	
10	GLB987	Bulb	A/R	
11	13H5270	Bulb holder (plastic), Smiths clocks.....	A/R	Pre 1990
11	XAJ10012	Bulb holder, Nippon Seiji clocks.....	A/R	1990 on
12	GLB2132	Bulb	A/R	
13	GFS35	Fuse	A/R	

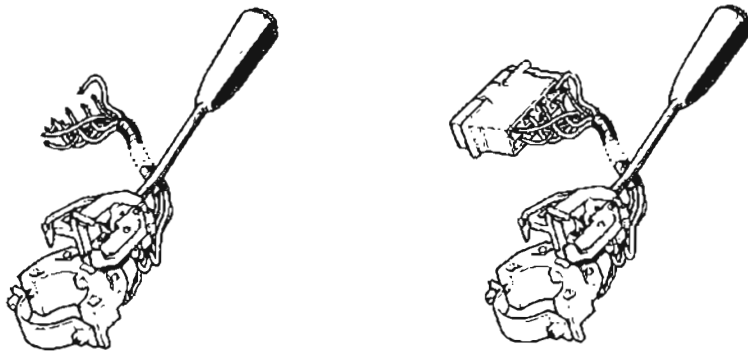
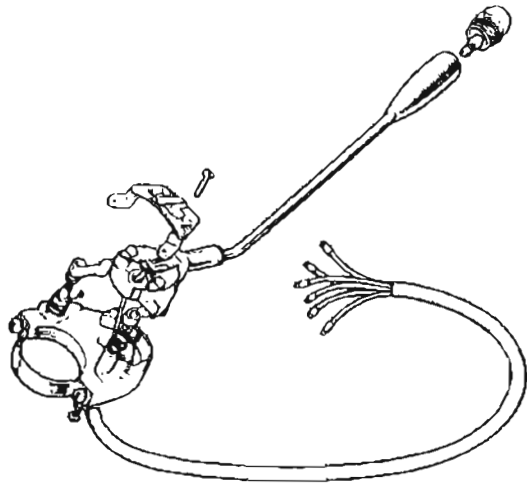
MAIN ELECTRICAL CHANGE POINTS

- Wipers had 3 wires up to 1968
- Wipers had 4 wires and plug 1968 on
- Alternators were fitted 1972 on
- Steering lock fitted 1970 on except 850cc
- Indicator arm with headlamp flashers introduced 1968-70
- Indicator arm with flasher and plug fitted on wires 1970-76
- Indicator and washer stalks 1976 on
- Brake light switch moved to under brake pedal 1976 on
- Rear loom reverse lamp incorporated in rear lamp 1977 on approx

INDICATOR AND WIPER STALK SWITCHES

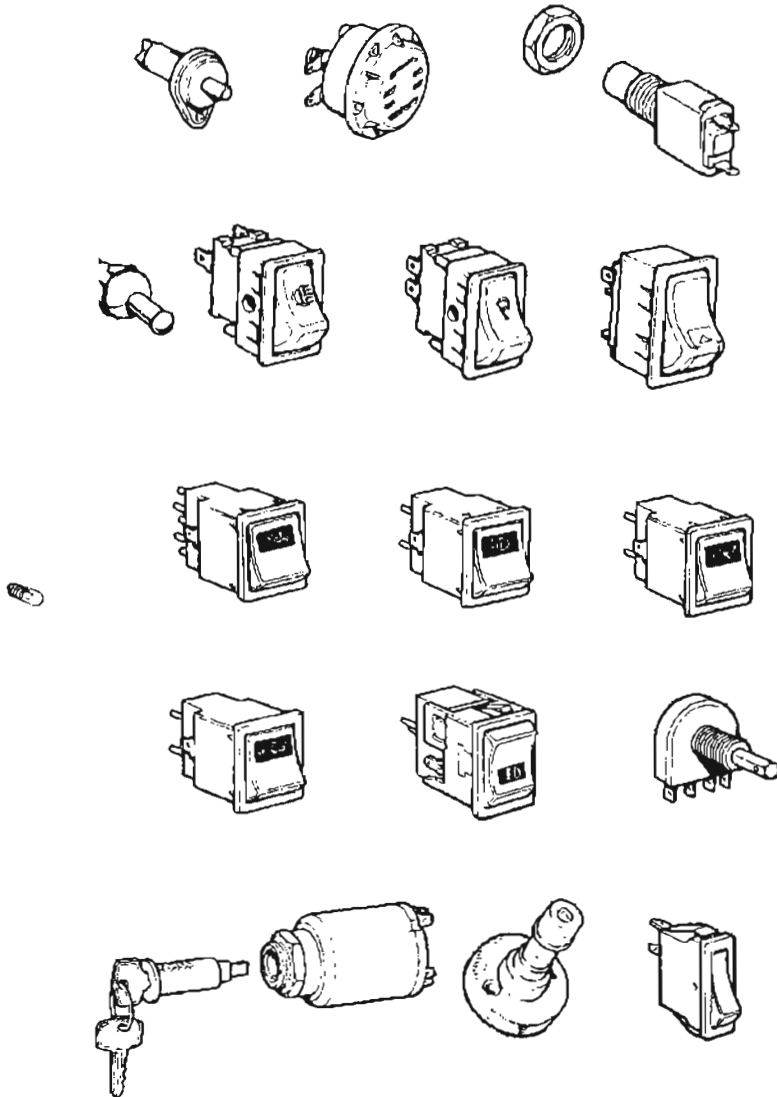


NO.	PART NO.	DESCRIPTION	LUCAS	QTY	REMARKS
1	2A6215	Indicator switch	31945E	1	MKI
2	47H5200	Green indicator lens		1	MKI
3	GLB280	Bulb for indicator switch		1	MKI
4	13H7778	Horn indicator switch (no wiring plug)	35840M	1	MKI
5	13H7779	Horn indicator switch (with wiring plug)	39384M	1	MKII
6	21A2658	Indicator switch R/H side	30443H	1	1976 to 1984
6	21A2660	Indicator switch L/H side	30445J	1	1984-1989 plus all LHD
6	BAU5345	Indicator switch L/H side	35483A	1	1989 on
7	37H8285	Wiper switch L/H side	30444H	1	1976-1984
7	37H8286	Wiper switch R/H side	30446H	1	1984-1989 plus all LHD
7	BAU5346	Wiper switch R/H side	35485A	1	1989 on

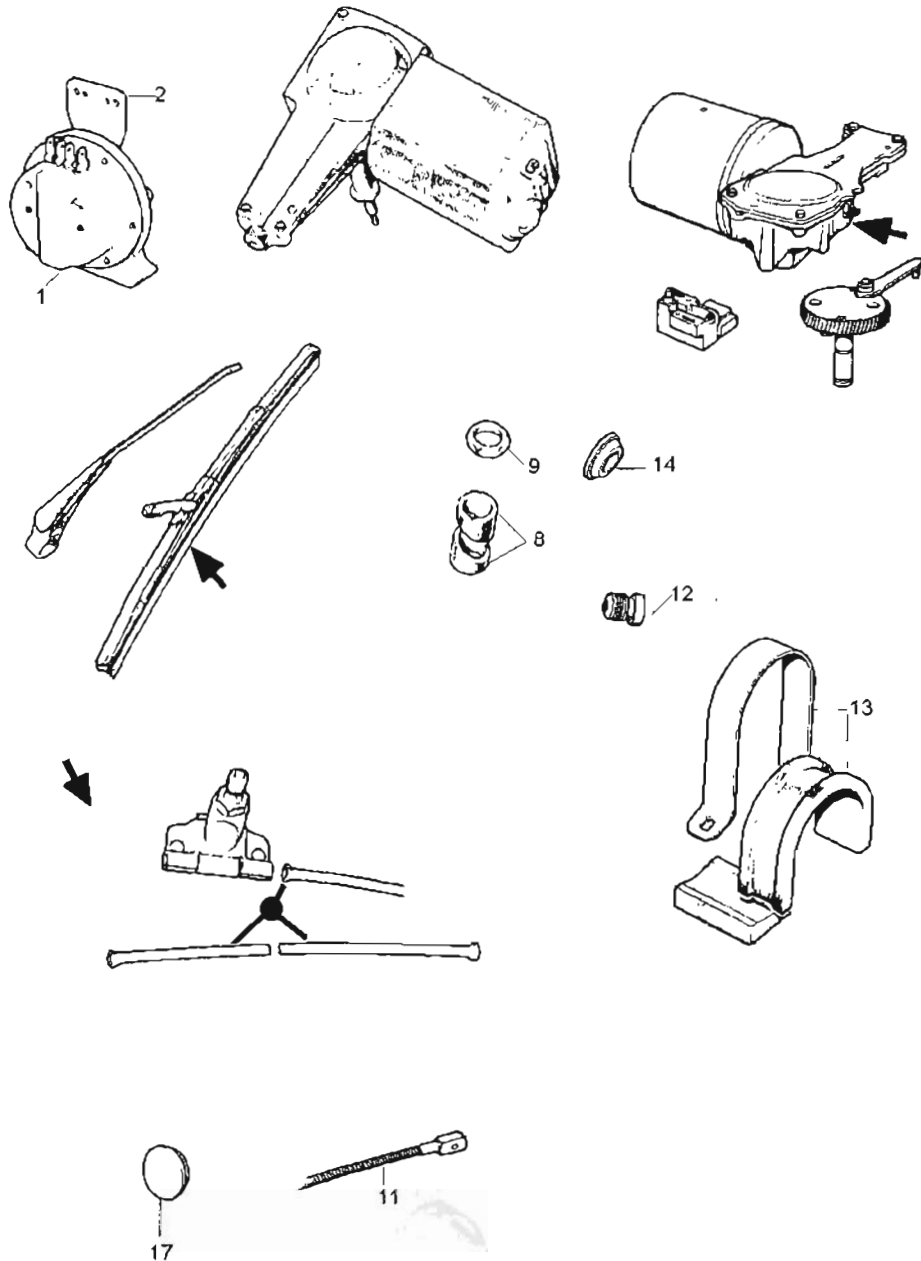


SWITCHES

NO.	PART NO.	DESCRIPTION	QTY	REMARKS
1	1H9077	Light switch	1	MK1/2
1	2A9129	Wiper switch	1	MK1/2
2	13H6342	Light switch, 3.7cm tall, was 13H8404	1	Bayonet terminals
3	13H6343	Wiper switch, single 3.7cm speed	1	Bayonet terminals
3	13H6444	Wiper switch, twin speed 3.7 tall, was 13H8405	1	Bayonet terminals
4	13H8691	Hazard switch, Canada only	1	Special order
5	YUF101020	Heated rear screen switch, was ADU4797/ADU4799	1	Pin terminals 1976 on
6	YUF101010	Brake switch, 3.1cm tall, was ADU4794	1	Pin terminals 1976 on
7	YUF101030	Light switch, 3.1cm tall, was ADU4793	1	Pin terminals 1976 on
7	ADU4778	Light switch, 3.1cm tall (Canada)	1	Was 13H8713
8	13H9601	Wiper switch, (Canada only)	1	NLA
9	13H8725	Hazard switch, 3.1cm tall	1	Japan only
9	YUF101000	Hazard warning switch, 3.1cm tall, was ADU4795	1	Pin terminals 1976 on
10	13H9602	Washer switch (Canada only)	1	Special order
11	ADU4791	Rear fog switch, 3.1cm tall, was ADU4792	1	Pin terminals 1976 on
12	GLB280	Bulb for all illuminated switches	A/R	Pin terminals 1976 on
13	13H9027	Rheostat switch (Canada only)	1	Special order
13	2H4841	Rheostat switch early Mini van heater, was 57H5260	1	NLA
14	13H337	Ignition and starter switch	1	When no steering lock
15	24G1345	Barrel and key	1	When no steering lock
16	RTC432A	Headlamp dip switch	1	Floor mounted
17	YUF101090	Heater switch, was 37H3922	1	MK3
18	13H3735	Brake light switch	1	Under pedal 1976 on
19	BMK1903A	Nut	1	
20	13H2182	Courtesy light switch	2	MK1/2, C.W.E.
21	YUE10003	Courtesy light switch	2	MK3 on
22	13H5531	Brake check light switch (Canada only)	1	Special order
23	13H6283	Courtesy and ignition warning switch (Canada only)	1	Special order
24	BHA4974	Ignition warning buzzer (Canada only)	1	Special order



HORN AND WINDSCREEN WIPER

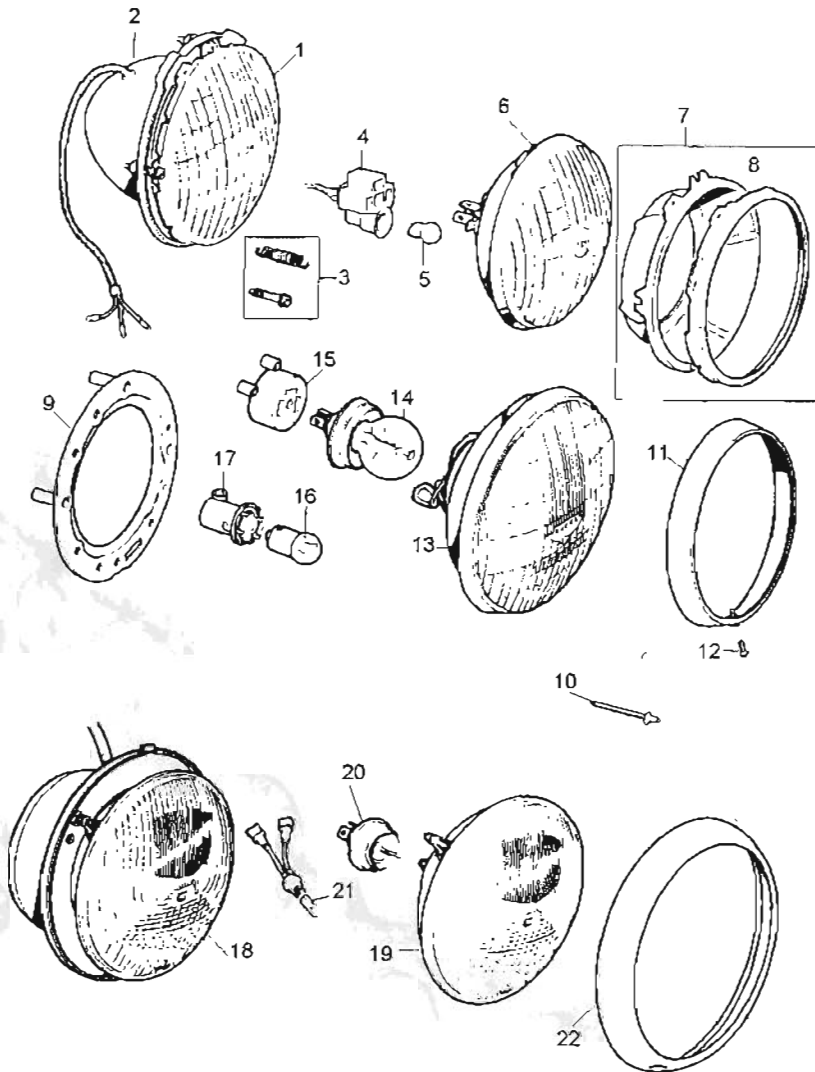


NO.	PART NO.	DESCRIPTION	QTY	REMARKS
1	GGE102	Hightone horn single terminal	1	
1	GGE164	Hightone horn twin terminal, was GGE103	1	
1	GGE104	Lowtone horn twin terminal	1	
1	GGE115	Horn	1	1985 on
2	GGE113	Horn bracket	1	
3	GEU7714	Wiper motor 3 wire square body	1	NLA
4	GEU7708	Wiper motor 4 wire strap fitting	1	Single or 2 speed
	RTC198A	Brush kit	1	Not shown
5	520160A	Parking switch	1	
6	37H2737	Gear (120°) 46 teeth, NLA	1	Van and pickup
6	608092A	Gear (110°) 46 teeth	1	Saloon
7	37H6100	Wiper wheelbox (22 teeth)	2	6 sided nut
7	37H7200	Wiper wheelbox (32 teeth)	2	8 sided nut
8	37H6042	Wiper spindle bush kit	2	Fits 37H6100
8	37H6042C	Wiper bush kit including nut (chrome)	2	Fits 37H6100
8	37H7201	Wiper bush kit	2	Fits 37H7200
8	37H7201C	Wiper bush kit including nut (chrome)	2	Fits 37H7200
9	37H6316	Wiper wheelbox nut	2	6 sided
9	37H7738	Wiper wheelbox nut	2	8 sided
10	AAU1909A	Wiper rack outer tube kit	1	
11	508182A	Wiper rack cable	1	
12	37H3694	Ferrule in wiper motor to accept AAU1909A	1	
13	37H4836	Strap in stainless steel and seal for motor	1	Dress up item
14	14A7091	Grommet for wheelbox hole	2	
15	13H5626	Wiper arm s/steel R/H/D MK1/2, (right hand park)	2	Also L/H/D MK3
15	13H5629	Wiper arm s/steel R/H/D MK3, (left hand park)	2	
15	CZH4173	Black wiper arm for 11" blade, (right hand park)	2	
15	CZH4331	Black wiper arm for 11" blade, (left hand park)	2	
15	DKB101480	Wiper arm with hook fitting R/H/D, was DKB10058	2	1990 on
15	DKB101490	Wiper arm with hook fitting L/H/D, was DKB10059	2	1990 on
16	GWB219	10" chrome wiper blade	2	
16	GWB811	11" black wiper blade	2	
16	GWB341	Wiper blade with hook fitting	2	1990 on
17	CZG778	Plug for wiper motor hole in dash	1	

MK1 used 130° wiper gear until 1964 then reduced to 120°.

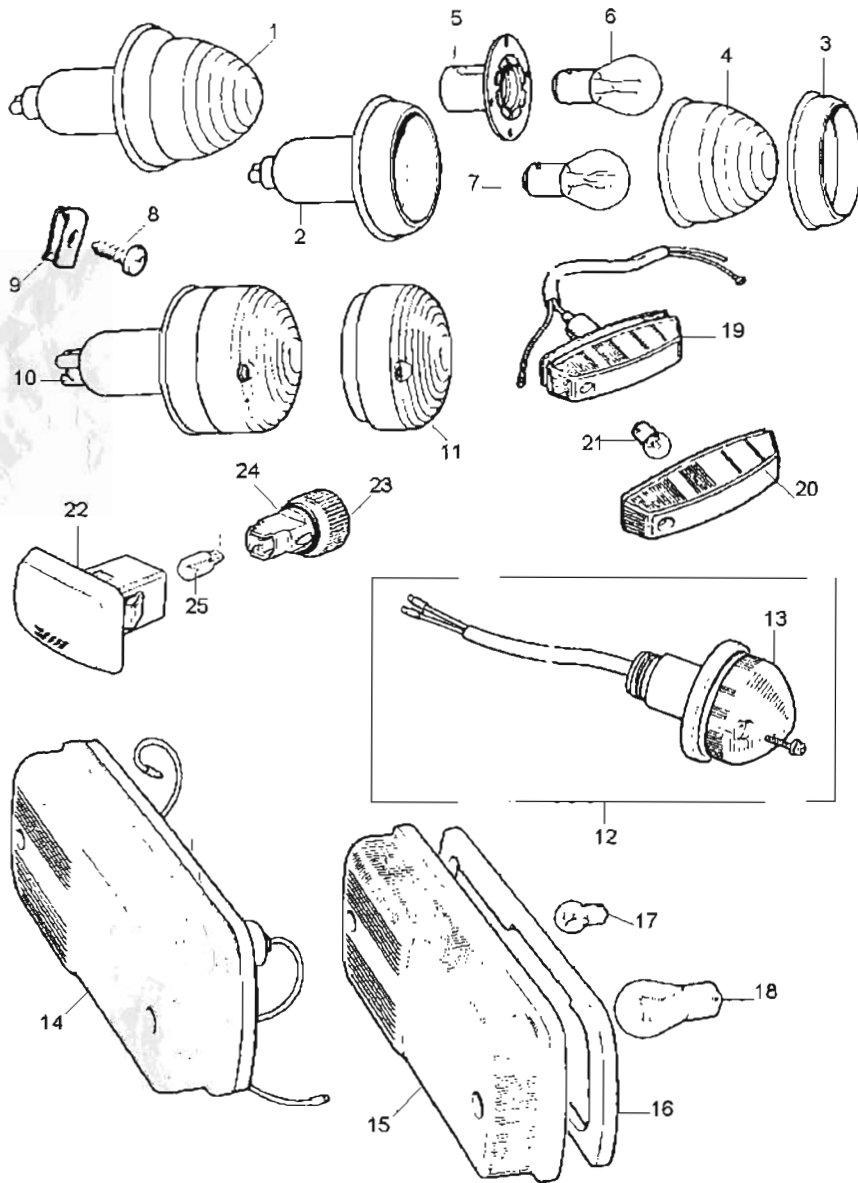
57H5586	130°	NLA
37H7296	120°	NLA

HEADLAMPS

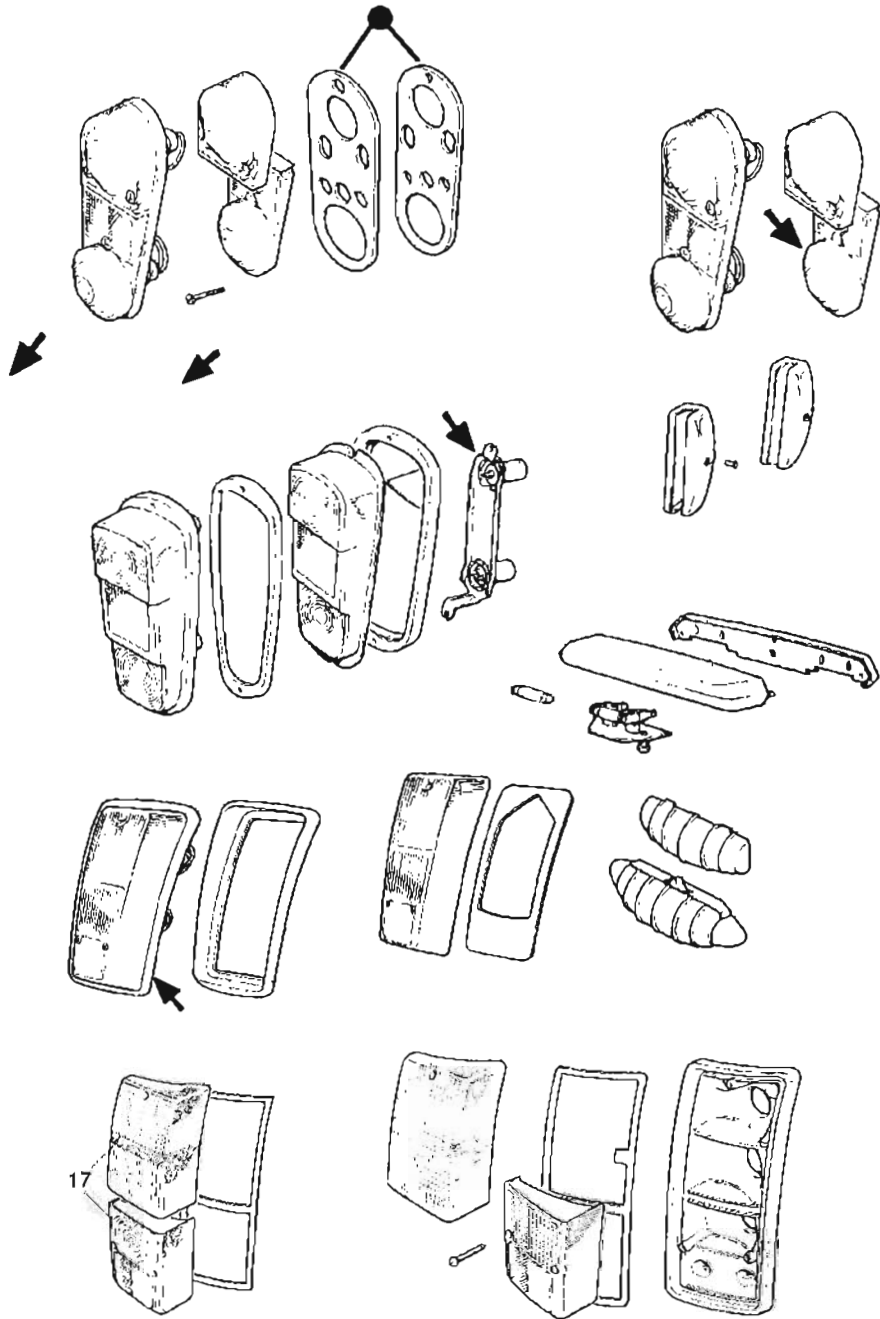


NO.	PART NO	DESCRIPTION	QTY	REMARKS
1	BHM7196	Headlamp assembly without side light (Clubman)	2	R/H/D
1	BHM7198	Headlamp assembly left dip sealed beam	2	R/H/D
1	13H7922	Headlamp assembly left dip (Lucas).....	2	R/H/D
2	MS14	Metal headlamp bowl	2	
2	S5400	Plastic bowl, inner rim and seal.....	2	
3	MS14K	Headlamp adjuster kit	2	
4	BAU2111	Bulb holder and connector	2	
5	GLB501	Bulb	2	
6	13H3471A	Sealed beam unit left dip	2	R/H/D
6	S4698B	Wipac Quadoptic light kit left dip	1	R/H/D
6	S4699B	Wipac Quadoptic light kit right dip	1	L/H/D
6	S4700	Quadoptic light unit left dip	2	R/H/D
5	S4701	Quadoptic light unit right dip	2	L/H/D
7	MS13	Chrome inner ring and lamp retainer	2	As original
8	515218A	Inner rim to retain sealed beam	2	
9	9403	Headlamp seating rubber.....	2	
10	ADU4278	Rivet, headlamp to wing	8	
10	GHF713/426	Number 10 screw and spire washer	8	Alternative to rivet
11	500929	Headlamp rim	2	
12	RTC465	Headlamp rim screw	2	
13	27H5981A	Lucas European head lamp glass, was GLU515	2	L/H/D
13	XCC10001	Headlamp glass unit	2	Optional 1990 on
14	GLB472	Headlamp bulb.....	2	Optional 1990 on
15	600226	Bulb holder (600226A takes GLB410 bulb, L/H/D).....	2	Optional 1990 on
16	GLB233	Side lamp bulb	2	Optional 1990 on
17	BBU1738	Side lamp bulb holder.....	2	Optional 1990 on
18	37H7587	Cibie headlamp assembly less rim	2	NLA
19	37H7589A	Cibie light unit was GLU600.....	2	
20	GLB410	Bulb, also fits 27H5981A European	2	
21	GLB233	Pilot light bulb	2	
22	37H7588	Cibie lamp rim	2	

INDICATOR SIDE LAMPS



NO.	PART NO.	DESCRIPTION	QTY	REMARKS
1	CHM13	Amber plastic flasher lamp	2	
1	2A9013	Amber glass flasher lamp	2	
1	1B9100	Flasher and side lamp with clear glass lens	2	Not UK
1	1B9100MS	Flasher and side lamp with clear plastic lens	2	Not UK
2	508162	Rubber body seal	2	
3	7H5182	Rim	2	
4	37H8130	Amber lens plastic	2	
4	37H5520	Amber lens glass	2	
4	37H6928	Clear lens glass	2	
4	37H6928MS	Clear lens plastic	2	
5	37H5528	Single filament bulb holder (indicator only)	2	
5	27H5545	Double filament bulb holder (side and indicator 1B9100)	2	Not UK
6	GLB382	Indicator bulb	2	
6	GLB343	Orange indicator bulb	2	
7	GLB380	Bulb (same as brake light and indicator for 1B9100)	2	Not UK
8	GHF421	Fixing screw	6	
9	GHF771	Fixing clip	6	
10	575457A	Lamp (Europe)	2	NLA
11	37H6111	Front lens, Europe	2	
12	AFU3389	Orange indicator lamp	2	1987 on
13	CDU3374	Lens (orange)	2	1987 on
13	CDU3374W	Lens (clear)	2	
14	ADU3017	Clubman front indicator lamp L/H	1	
14	ADU3018	Clubman front indicator lamp R/H	1	
15	BAU1796	Lens, side and indicator lens with seal	2	
16	37H4190	Seal - lens to body	2	NLA
17	GLB233	Sidelamp bulb	2	
18	GLB380	Indicator bulb	2	
19	AHU2592	Wing side repeater lamp (orange)	2	1986 on
19	AHU2592	Wing side repeater lamp (clear lens)	2	
20	27H2403	Lens for AAU3296	2	
21	GLB989	Bulb	2	
22	AHU2592	Wing side repeater lamp	2	1986 on
23	DCP8004	Bulb holder	2	
24	AFU3112	Bulb holder sealing ring	2	
25	GLB501	Bulb	2	



LAMPS REAR / NUMBER PLATE / AND INTERIOR

NO.	PART NO.	DESCRIPTION	QTY	REMARKS
1	13H223	Rear lamp R/H 53798	1	MK1 Saloon
1	13H222	Rear lamp L/H 53797	1	MK1 Saloon
2	47H5362	Rear flasher amber lens R/H	1	MK1 Saloon
2	47H5355	Rear flasher amber lens L/H	1	MK1 Saloon
3	47H5363	Stop and tail lens R/H	1	MK1 Saloon
3	47H5358	Stop and tail lens L/H	1	MK1 Saloon
4	47H5360	Lens screw set	1	MK1
5	57H5399	Rear lamp gasket kit	1 pr	MK1 Saloon
6	13H6436	Rear lamp NLA	2	Van
7	37H4964	Rear flasher lens	2	Van
8	37H4963	Rear stop and tail	2	Van
9	47H5590	Rear lamp with chrome rim NLA, Lucas 7.5" long	2	Pick-up pre 1980
9	AAU5127	Rear lamp NLA, PMG not Lucas 6.25" long	2	Pick-up 1980 on
10	17H5353	Chrome rim, pick up pre 1980	2	CWE
11	17H5359	Lens, NLA (manufacturer Lucas)	2	Pick-up pre 1980
11	264829	Lens, NLA (manufacturer PMG)	2	1980 on
12	17H5356	Bulb holder assembly, pick up pre 1980	2	NLA
13	13H6479	Rear lamp R/H no rev lens	1	MK2/3
13	13H6480	Rear lamp L/H no rev lens	1	MK2/3
14	37H2690	Lamp seating gasket for 13H6479 only R/H	1	MK2/3
14	37H2689	Lamp seating gasket for 13H6480 only L/H	1	MK2/3
14	37H2691	Lamp seating gasket L/H for XFJ10026	1	MK4
14	37H2692	Lamp seating gasket R/H for XFJ10027	1	MK4
15	37H4837	Lens for 13H6479 with gasket/screws, R/H	1	
15	37H4837MS	Lens only for 13H6479, R/H	1	
15	37H4838	Lens for 13H6480 with gasket/screws, L/H	1	
15	37H4838MS	Lens only for 13H6480, L/H	1	
16	ADU2479	Altissimo rear lamp with rev lens L/H, was AAU3287	1	
16	ADU2478	Altissimo rear lamp with rev lens R/H was AAU3288	1	
16	XFB101200	Lucas rear lamp, with rev lens R/H, was XFB10082	1	
16	XFB101210	Lucas rear lamp, with rev lens L/H, was XFB10083	1	
17	AAU4946	Altissimo rear lens, R/H one piece	1	
17	AAU4947	Altissimo rear lens, L/H one piece	1	
18	XFJ10026	Lucas stop/flasher lens R/H	1	
18	XFJ10027	Lucas stop/flasher lens L/H	1	
19	XFJ10028	Lucas reverse lens and reflector R/H	1	
19	XFJ10029	Lucas reverse lens and reflector L/H	1	
20	13H6900	Number plate body	1	MK3 on
21	PRC1230A	Number plate lens	2	MK3 on
22	GLB239	Festoon bulb	2	MK3 on
23	13H6010	Number plate gasket	1	MK3 on
24	BHA4153	Rear D shaped chrome number plate lamp	1	
24	BHA4154	Rear D number plate chrome plastic	1	2 for van
25	7H5123	Chrome screw for BHA4153 cover	1	
26	83H335	D shaped rear number plate blank	1	2 for van
27	13H4398	Original interior lamp NLA use 13H8919 new shape	1	NLA
27	13H8919	Interior lamp with clear square plastic lens	1	1974 on
27	EAM1650	Interior lamp with white square plastic lens	1	1974 on
28	AFU4092	Interior lamp (fits recess in head lining)	1	1985 on
28	17H9971	Original round interior lamp lens (as per picture)	1	NLA