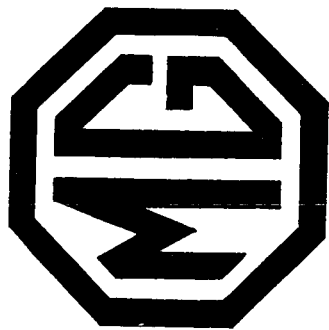


**AKD 1579**  
(Binder only)



**S E R V I C E P A R T S L I S T**

**AKD1879**  
SECOND EDITION



# MIDGET

S E R V I C E P A R T S L I S T



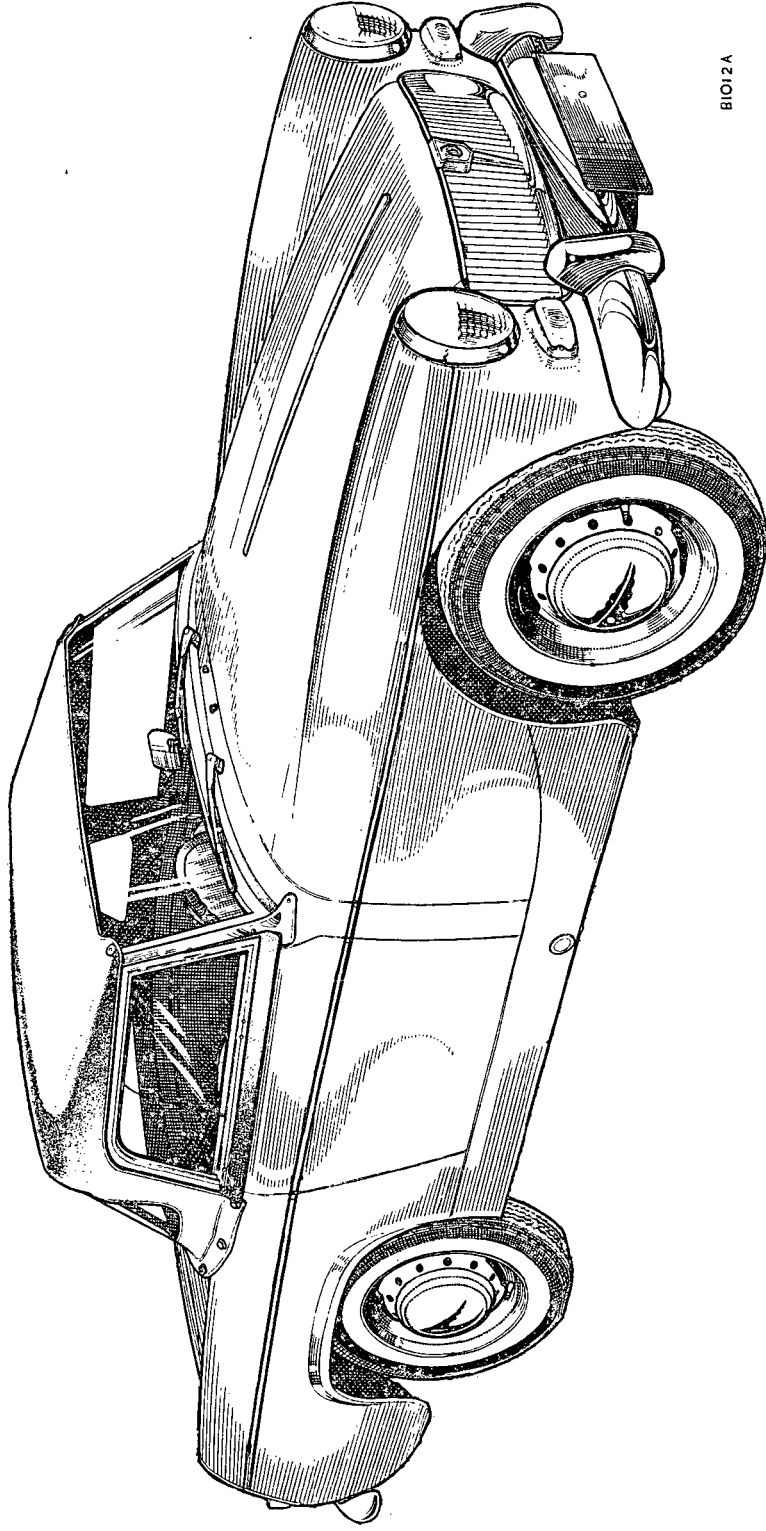
● A plastic binder (Part No. AKD1579) is available for this Parts List.

● This List embodies Parts List Amendments up to and including PMC/628.

**B.M.C. SERVICE LIMITED**  
**COWLEY · OXFORD · ENGLAND**

Telephone - - - - - Oxford 77777  
Telex - - - - - BMCSERV Oxford 83145 and 83146  
Telegrams - - - - - BMCSERV, Telex, Oxford  
Cables - - - - - BMCSERV, Telex, Oxford, England  
Codes - - - - - Bentley's, Bentley's Second Phrase, A.B.C.  
(5th and 6th Editions), Western Union and Private

**THE M.G. MIDGET**



B1012A

**The M.G. Midget**



# THE M.G. MIDGET

MODEL	COMMENCING		FINISHING	
	CAR No.	ENGINE No.	CAR No.	ENGINE No.
The M.G. Midget	G-AN1-101	9CG-Da-H101	G-AN1-16183	9CG-Da-H36711
	G-AN2-16184	10CG-Da-H101		

# THE M.G. MIDGET

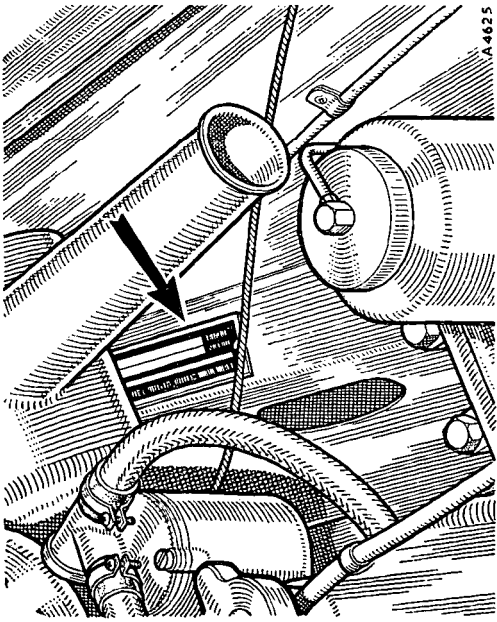
# CAR AND ENGINE NUMBER PREFIX CODING

<p><b>CAR NUMBER PREFIX CODING</b></p> <p>The car number prefix comprises a series of letters and numbers, presenting in code the make, the engine cubic capacity, the body type, the series, and, where applicable, left-hand drive.</p>	
<p><b>1st PREFIX LETTER—Name</b></p> <p>G—M.G.</p>	<p><b>2nd PREFIX LETTER—Model cubic capacity</b></p> <p>A—800-999 c.c.</p>
<p><b>3rd PREFIX LETTER—Body type</b></p> <p>N—2-seater Tourer</p>	
<p><b>4th PREFIX—Series of model</b></p> <p>1—1st Series</p>	<p><b>5th PREFIX (used to denote car is different to standard right-hand drive)</b></p> <p>L—Left-hand drive</p>
<p><b>CODE EXAMPLE</b></p> <p>G - A N 1 - 1 0 1</p> <p>Serial Number 1st Series 2-seater Tourer 800-999 c.c. M.G.</p>	

<p><b>ENGINE NUMBER PREFIX CODING</b></p> <p>The engine number prefix comprises a series of letters and numbers, presenting in code the cubic capacity and make, the ancillaries fitted, and the type of compression.</p>	
<p><b>1st PREFIX GROUP—Cubic capacity, make, and type</b></p> <p>1st Prefix number: 9—950 c.c.</p> <p>1st Prefix letter: Where the 1st prefix number is followed by CG this indicates that the engine is common to Austin-Healey and M.G.</p>	
<p><b>2nd PREFIX GROUP—Gearbox and ancillaries</b></p> <p>Da—close-ratio centre change gearbox</p>	
<p><b>3rd PREFIX GROUP—Compression and serial number</b></p> <p>H—High compression } and serial number of unit L—Low compression }</p>	
<p><b>CODE EXAMPLE</b></p> <p>9 C G - Da - H 1 0 1</p> <p>Serial Number High Compression Close-ratio Centre Change Gearbox 950 c.c.</p>	

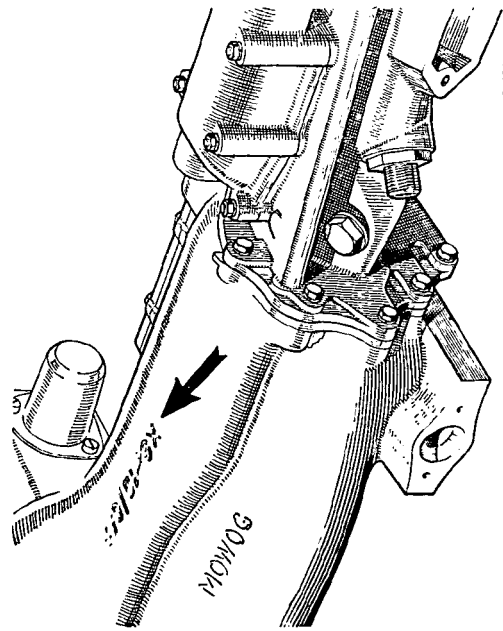
Always quote these prefixes with the Car and Engine Numbers

## THE M.G. MIDGET



The **Car Number** is stamped on a plate secured to the left-hand inner wheel arch valance under the bonnet

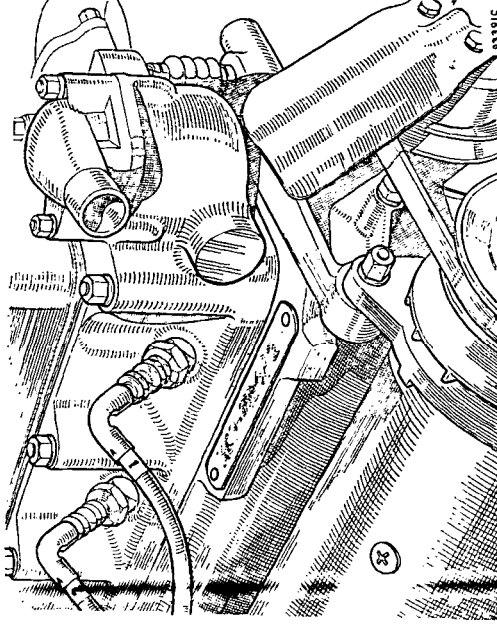
A 4625



The **Gearbox Number** is stamped on the top of the gearbox casting

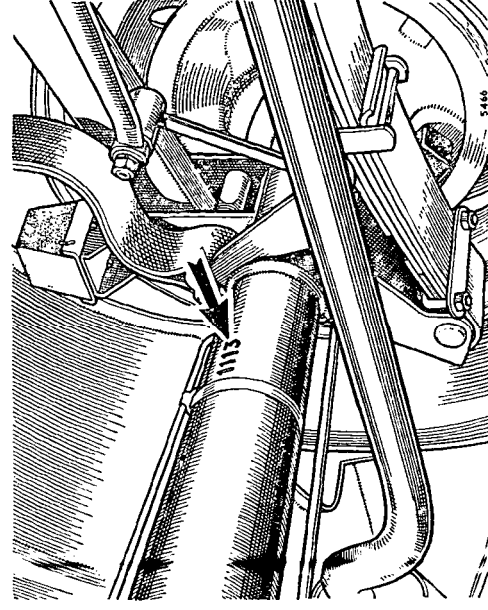
5468A

## LOCATION OF UNIT NUMBERS



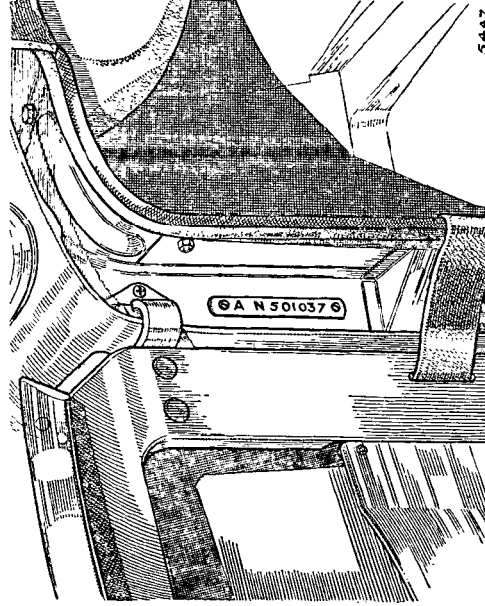
The **Engine Number** is stamped on a plate secured to the right-hand side of the cylinder block above the dynamo

53391C



The **Rear Axle Number** is stamped on the front of the left-hand rear axle tube adjacent to the spring anchorage

5446



The **Body Number** is stamped on a plate secured to the left-hand front door pillar

5447

# ● EXPLANATORY

● It will be noted that the items comprising an assembly (or sub-assembly) are offset for easy reference.

12	<b>Gear assembly—idler.</b>	<b>2A6198</b>
13	<b>Body</b> .....	<b>2A6199</b>
14	Seal .....	2A6201
15	Washer for seal .....	2A6186
16	Shaft .....	2A6187

Example

● Where a modification to a part has taken place, or a new part issued replacing an original part, this is indicated by the inclusion of the new part number in the Modifications column.

● Abbreviations used:

<b>A</b>	<b>Ambulance</b>	<b>U</b>	<b>Pick-up</b>	<b>OD</b>	<b>Outside diameter</b>
<b>C</b>	<b>Chassis</b>	<b>V</b>	<b>Van</b>	<b>ID</b>	<b>Inside diameter</b>
<b>D</b>	<b>Coupe</b>	<b>W</b>	<b>Dual-purpose (wood framing)</b>	<b>A/R</b>	<b>As required</b>
<b>E</b>	<b>G.P.O. Engineers</b>	<b>Ws</b>	<b>Dual-purpose (all-metal)</b>	<b>Com.</b>	<b>Commenced</b>
<b>G</b>	<b>G.P.O. Mail</b>	<b>X</b>	<b>Taxi</b>	<b>Fin.</b>	<b>Finished</b>
<b>H</b>	<b>Hearse</b>	<b>UK</b>	<b>Gt. Britain and Northern Ireland</b>	<b>No.</b>	<b>Number</b>
<b>J</b>	<b>Convertible</b>	<b>Not UK</b>	<b>Not Gt. Britain and Northern Ireland</b>	<b>NSP</b>	<b>Non-serviceable part</b>
<b>K</b>	<b>Truck</b>	<b>RHD</b>	<b>Right-hand drive</b>	<b>(B)</b>	<b>Body number</b>
<b>L</b>	<b>Hire Car</b>	<b>LHD</b>	<b>Left-hand drive</b>	<b>(C)</b>	<b>Car number</b>
<b>M</b>	<b>Limousine</b>	<b>RH</b>	<b>Right-hand</b>	<b>(D)</b>	<b>De-luxe</b>
<b>N</b>	<b>2-seater Tourer</b>	<b>LH</b>	<b>Left-hand</b>	<b>(E)</b>	<b>Engine number</b>
<b>P</b>	<b>Hard Top</b>	<b>HC</b>	<b>High compression</b>	<b>(G)</b>	<b>Gearbox number</b>
<b>Q</b>	<b>Chassis and Cab</b>	<b>LC</b>	<b>Low compression</b>	<b>(S)</b>	<b>Super de-luxe</b>
<b>R</b>	<b>Chassis and Scuttle</b>	<b>RHT</b>	<b>Right-hand thread</b>	<b>(GB)</b>	<b>Cab number</b>
<b>S</b>	<b>4-door Saloon</b>	<b>LHT</b>	<b>Left-hand thread</b>	<b>(OD)</b>	<b>Overdrive number</b>
<b>2S</b>	<b>2-door Saloon</b>	<b>O/S</b>	<b>Oversize</b>	<b>(RA)</b>	<b>Rear axle number</b>
<b>T</b>	<b>4-seater Tourer</b>	<b>U/S</b>	<b>Undersize</b>		

# IMPORTANT TO OWNERS

## B.M.C. SERVICE PARTS

All Authorized B.M.C. Distributors and Dealers are under contract to supply only genuine B.M.C. Parts.

Look for  
this sign  
or label



Replacement parts that are not of genuine B.M.C. manufacture cannot be relied upon to be of B.M.C. specification, material, and workmanship, and therefore B.M.C. cannot be expected to extend their Warranty to vehicles which have been fitted with parts not of their manufacture.

A comprehensive range of EXCHANGE UNITS is available. Ask your Distributor or Dealer for full details.

In order to ensure prompt and correct execution of your orders it is essential to:

*STATE THE CAR, BODY, ENGINE NUMBERS, ETC., COMPLETE WITH PREFIXES AND SUFFIXES.*

*GIVE THE PART NUMBER AND DESCRIPTION (PREFIX LETTERS TO PART NUMBERS MUST ALWAYS BE QUOTED).*

<i>Group</i>	<i>Pages</i>	<i>Plate</i>	<i>Group</i>	<i>Pages</i>	<i>Plate</i>
Block assembly and front engine mounting plate . . . . .	A.1, A.2	A	Front brakes . . . . .	K.3, K.4	KA
Connecting rods—bearings—crankshaft and gear—cam-shaft—crankshaft pulley—flywheel—tappets and push-rods—distributor housing and driving spindle . . . . .	A.3, A.4	AA	Front shock absorber and coil spring . . . . .	K.5	KB
Cylinder head—valves—guides—springs—rockers—valve rocker cover—oil filler—water outlet elbow and thermostat . . . . .	A.5, A.6	AB	Rear shock absorbers . . . . .	L.1	L
Rear engine mounting plate—cylinder front and side covers and drain tap . . . . .	A.7	AC	Brake controls . . . . .	M.1, M.2	M
Sump—dipper rod—oil pump—strainer and release valve . . . . .	A.8, A.9	AD	Brake and clutch pipes . . . . .	M.3	MA
Oil filter . . . . .	A.10, A.11	AE	Hand brake lever and linkage . . . . .	M.4	MB
Water pump—fan pulley—dynamo mounting—fan and fan belt . . . . .	A.12, A.13	AF	Battery and dynamo . . . . .	N.1, N.2	N
Engine service kits . . . . .	A.14	—	Starter . . . . .	N.3	NA
Inlet and exhaust manifold and engine mountings . . . . .	A.15, A.16	AG	Switches . . . . .	N.4, N.5	NB
Exhaust system . . . . .	A.17	AH	Headlamps . . . . .	N.6-N.9	NC, ND
Engine controls . . . . .	A.18	AJ	Side, rear, number-plate, and fog lamps . . . . .	N.10, N.11	NE
Distributor—H. T. cable—ignition coil and sparking plugs . . . . .	B.1, B.2	B	Flasher unit and horns . . . . .	N.12	NF
Cooling system . . . . .	C.1, C.2	C	Windscreen wipers . . . . .	N.13	NG
Fuel tank and fuel pipes . . . . .	D.1	D	Cables and connections . . . . .	N.14, N.15	NH
Fuel pump and repair kits . . . . .	D.2, D.3	DA	Fascia panel and instruments . . . . .	O.1-O.3	O
Carburettors . . . . .	D.4, D.5	DB	Wheels . . . . .	P.1	P
Heat shield and pipes . . . . .	D.6	DC	Body shell and underframe . . . . .	R.1, R.2	R
Air cleaner . . . . .	D.7	D	Bonnet . . . . .	R.3, R.4	RA
Clutch—clutch pedal and linkage and clutch slave cylinder . . . . .	E.1, E.2	E	Wings . . . . .	R.5	RB
Gearbox . . . . .	F.1-F.3	F	Boot lid . . . . .	R.6	RC
Gearbox controls . . . . .	F.4, F.5	FA	Doors—hinges and locks . . . . .	R.7	RD
Propeller shaft . . . . .	G.1	G	Sliding sidescreeens . . . . .	R.8	RE
Rear axle . . . . .	H.1, H.2	H	Windscreen and windscreen washer . . . . .	R.9	RF
Rear brakes . . . . .	H.3, H.4	HA	Hood and tonneau cover . . . . .	R.10, R.11	RG
Rear spring . . . . .	H.5	HB	Hard top . . . . .	R.12, R.13	RH
Steering . . . . .	J.1-J.3	J	Bumpers and number-plates . . . . .	R.14, R.15	RJ
Front suspension assembly . . . . .	K.1, K.2	K	Trim and trim finishers . . . . .	R.16-R.27	RK, RL
			Seats and fittings . . . . .	R.28-R.30	RM
			Heater and ventilating equipment . . . . .	R.31-R.33	RN
			Sundries . . . . .	R.34, R.35	RP
			Tools and paint . . . . .	S.1	—

	Page
Absorber—shock—front ..	K.5
Absorber—shock—rear ..	L.1
Adaptor—oil filter ..	A.10
Adjuster—front brake-shoe ..	K.3
Adjuster—rear brake-shoe ..	H.3
Arm—windscreen wiper ..	N.13
Armature—dynamo ..	N.1
Armature—starter ..	N.3
Axle—rear ..	H.1
Axle—swivel ..	K.1
<b>A</b>	
Absorber—shock—front ..	K.5
Absorber—shock—rear ..	L.1
Adaptor—oil filter ..	A.10
Adjuster—front brake-shoe ..	K.3
Adjuster—rear brake-shoe ..	H.3
Arm—windscreen wiper ..	N.13
Armature—dynamo ..	N.1
Armature—starter ..	N.3
Axle—rear ..	H.1
Axle—swivel ..	K.1
<b>B</b>	
Badge—'M.G.'—boot lid ..	R.6
Badge—'M.G.'—fascia panel ..	O.1
Badge—'M.G.'—radiator grille ..	C.1
Bag—hood cover stowage ..	R.10
Bag—hood frame stowage ..	R.10
Battery ..	N.1
Bearing—clutch release ..	E.1
Bearing—connecting rod ..	A.3
Bearing—front hub ..	K.2
Bearing—gearbox ..	F.1, F.2
Bearing—man ..	A.3
Bearing—needle—propeller shaft ..	G.1
Bearing—rear axle ..	H.1, H.2
Bearing—rear hub ..	H.2
Bearing—steering pinion ..	J.1
Belt—fan ..	A.13
Blade—fan ..	A.13
Blade—windscreen wiper ..	N.13
Block—cylinder ..	A.1
Blower—heater ..	K.32
Body shell ..	R.1
Bonnet ..	R.3
Boot—master cylinder push-rod ..	M.1
Boot—rear wheel cylinder ..	H.3
Boot—steering ball socket ..	J.2
Box—control ..	N.5
Box—pedal ..	M.2
Bracket—dynamo mounting ..	A.13
Bracket—engine mounting ..	A.16
Bracket—exhaust mounting ..	A.17
Bracket—hand brake mounting ..	M.4
Bracket—radiator mounting ..	C.1
Bracket—steering-column mounting ..	J.3
Bracket—steering rack mounting ..	J.2
Brake—front ..	K.3, K.4
Brake—rear ..	H.3, H.4
Bulb holder—instrument ..	N.14, N.15
Bulb—instrument ..	N.14, N.15
Bulb—lamp ..	N.6-N.11
Bulk material—trim ..	R.21, R.26
<b>B</b>	
Badge—'M.G.'—boot lid ..	R.6
Badge—'M.G.'—fascia panel ..	O.1
Badge—'M.G.'—radiator grille ..	C.1
Bag—hood cover stowage ..	R.10
Bag—hood frame stowage ..	R.10
Battery ..	N.1
Bearing—clutch release ..	E.1
Bearing—connecting rod ..	A.3
Bearing—front hub ..	K.2
Bearing—gearbox ..	F.1, F.2
Bearing—man ..	A.3
Bearing—needle—propeller shaft ..	G.1
Bearing—rear axle ..	H.1, H.2
Bearing—rear hub ..	H.2
Bearing—steering pinion ..	J.1
Belt—fan ..	A.13
Blade—fan ..	A.13
Blade—windscreen wiper ..	N.13
Block—cylinder ..	A.1
Blower—heater ..	K.32
Body shell ..	R.1
Bonnet ..	R.3
Boot—master cylinder push-rod ..	M.1
Boot—rear wheel cylinder ..	H.3
Boot—steering ball socket ..	J.2
Box—control ..	N.5
Box—pedal ..	M.2
Bracket—dynamo mounting ..	A.13
Bracket—engine mounting ..	A.16
Bracket—exhaust mounting ..	A.17
Bracket—hand brake mounting ..	M.4
Bracket—radiator mounting ..	C.1
Bracket—steering-column mounting ..	J.3
Bracket—steering rack mounting ..	J.2
Brake—front ..	K.3, K.4
Brake—rear ..	H.3, H.4
Bulb holder—instrument ..	N.14, N.15
Bulb—instrument ..	N.14, N.15
Bulb—lamp ..	N.6-N.11
Bulk material—trim ..	R.21, R.26
<b>C</b>	
Cable—accelerator control ..	A.18
Cable—bonnet release ..	R.3
Cable—choke control ..	A.18
Cable—hand brake ..	M.4
Cable—harness ..	N.14, N.15
Cable—H.T. ..	B.2
Cable—speedometer ..	O.2
Cable—starter control ..	N.4
Cable—tachometer ..	O.3
Cage—differential ..	H.1
Calliper unit—disc brake ..	K.3
Camshaft ..	A.4
Cap—fuel filler ..	D.1
Cap—master cylinder filler ..	M.1
Cap—oil filler tube ..	A.6
Cap—radiator filler ..	C.1
Cap—wheel ..	P.1
Carburettors ..	D.4, D.5
Carpets material—bulk ..	R.21, R.26
Carpets ..	R.20, R.25, R.26
Carrier—differential ..	H.1
Case—axle ..	H.1
Case—gearbox ..	F.1
Case—sidescreen stowage ..	R.8
Casing—gearbox remote control ..	F.4
Casing—outer—windscreen wiper ..	N.13
Catch—bonnet safety ..	R.4
Clamp—exhaust pipe to manifold ..	A.17
Clamp—spare wheel ..	P.1
Cleaner—air ..	D.7
Clutch ..	E.1
Coil—ignition ..	B.2
Column steering ..	J.3
Connecting rod and cap ..	A.3
Connections—brake and clutch pipe ..	M.3
Control—push-pull—fresh-air unit ..	R.38
Control—windscreen washer ..	R.9
Cooling system ..	C.1, C.2
Cover—clutch ..	E.1
Cover—engine front ..	A.7
Cover—engine side—front ..	A.7
Cover—engine side—rear ..	A.7
Cover—gearbox front ..	F.1
Cover—gearbox remote control ..	F.5
Cover—gearbox side ..	F.1
Cover—hood ..	R.10
Cover—seat cushion ..	R.20
Cover—seat squab ..	R.28
<b>C</b>	
Cable—accelerator control ..	A.18
Cable—bonnet release ..	R.3
Cable—choke control ..	A.18
Cable—hand brake ..	M.4
Cable—harness ..	N.14, N.15
Cable—H.T. ..	B.2
Cable—speedometer ..	O.2
Cable—starter control ..	N.4
Cable—tachometer ..	O.3
Cage—differential ..	H.1
Calliper unit—disc brake ..	K.3
Camshaft ..	A.4
Cap—fuel filler ..	D.1
Cap—master cylinder filler ..	M.1
Cap—oil filler tube ..	A.6
Cap—radiator filler ..	C.1
Cap—wheel ..	P.1
Carburettors ..	D.4, D.5
Carpets material—bulk ..	R.21, R.26
Carpets ..	R.20, R.25, R.26
Carrier—differential ..	H.1
Case—axle ..	H.1
Case—gearbox ..	F.1
Case—sidescreen stowage ..	R.8
Casing—gearbox remote control ..	F.4
Casing—outer—windscreen wiper ..	N.13
Catch—bonnet safety ..	R.4
Clamp—exhaust pipe to manifold ..	A.17
Clamp—spare wheel ..	P.1
Cleaner—air ..	D.7
Clutch ..	E.1
Coil—ignition ..	B.2
Column steering ..	J.3
Connecting rod and cap ..	A.3
Connections—brake and clutch pipe ..	M.3
Control—push-pull—fresh-air unit ..	R.38
Control—windscreen washer ..	R.9
Cooling system ..	C.1, C.2
Cover—clutch ..	E.1
Cover—engine front ..	A.7
Cover—engine side—front ..	A.7
Cover—engine side—rear ..	A.7
Cover—gearbox front ..	F.1
Cover—gearbox remote control ..	F.5
Cover—gearbox side ..	F.1
Cover—hood ..	R.10
Cover—seat cushion ..	R.20
Cover—seat squab ..	R.28
<b>D</b>	
Diaphragm—fuel pump ..	D.2
Differential assembly ..	H.1
Disc—brake ..	K.3
Disc—wheel ..	P.1
Distributor ..	B.1
Door—heater outlet ..	R.32
Doors ..	R.7
Drum—front brake ..	K.3
Drum—rear brake ..	H.4
Dynamo ..	N.1
<b>D</b>	
Diaphragm—fuel pump ..	D.2
Differential assembly ..	H.1
Disc—brake ..	K.3
Disc—wheel ..	P.1
Distributor ..	B.1
Door—heater outlet ..	R.32
Doors ..	R.7
Drum—front brake ..	K.3
Drum—rear brake ..	H.4
Dynamo ..	N.1
<b>E</b>	
Elbow—demister ..	R.32
Elbow—water outlet ..	A.6
Electrical equipment ..	N.1-N.15
Element—oil filter ..	A.10
Engine unit ..	A.1
Excluder—draught—door ..	R.18-R.25
Excluder—draught—pedal box ..	M.2
Exhaust system ..	A.17
Extension—gearbox ..	F.4
Extension—silencer tail pipe ..	A.17
<b>E</b>	
Elbow—demister ..	R.32
Elbow—water outlet ..	A.6
Electrical equipment ..	N.1-N.15
Element—oil filter ..	A.10
Engine unit ..	A.1
Excluder—draught—door ..	R.18-R.25
Excluder—draught—pedal box ..	M.2
Exhaust system ..	A.17
Extension—gearbox ..	F.4
Extension—silencer tail pipe ..	A.17
<b>F</b>	
Fan—dynamo ..	A.13
Fascia panel ..	O.1
Filter—oil ..	A.10
Finisher—cockpit rear ..	R.21, R.27
Finisher—door top ..	R.21, R.27
Finisher—radiator grille surround ..	C.2
Flange—propeller shaft yoke ..	G.1
Flange—universal joint—rear axle ..	H.2
Flash—'Midget' ..	R.6
Flasher unit ..	N.12
Flywheel ..	A.4
Forks—gear striking ..	F.8
<b>F</b>	
Fan—dynamo ..	A.13
Fascia panel ..	O.1
Filter—oil ..	A.10
Finisher—cockpit rear ..	R.21, R.27
Finisher—door top ..	R.21, R.27
Finisher—radiator grille surround ..	C.2
Flange—propeller shaft yoke ..	G.1
Flange—universal joint—rear axle ..	H.2
Flash—'Midget' ..	R.6
Flasher unit ..	N.12
Flywheel ..	A.4
Forks—gear striking ..	F.8

Frame—hood	Page		
Frame—seat base	R.10		
Fresh-air unit	R.30		
Front axle and suspension	R.33		
Front end assembly	K.1-K.5		
Fuse	R.1		
Fusebox	N.5		
	N.5		
<b>G</b>			
Gauge—fuel	O.1		
Gauge—oil pressure and radiator thermometer	O.1		
Gauge unit—fuel tank	O.1		
Gear—camshaft	D.1		
Gear—crankshaft	A.4		
Gear—2nd speed	A.3		
Gear—speedometer	F.2		
Gear—3rd speed	F.3		
Gearbox	F.2		
Glass—mirror	F.1-F.5		
Glass—windscreen	R.34		
Grille—radiator	R.9		
Grommet—gear lever	C.1		
Guide—valve	F.5		
	A.5		
<b>H</b>			
Hand brake	M.4		
Handle—boot lid	R.6		
Hard top	R.12, R.13		
Headlamp	N.6-N.9		
Heater	R.31		
Hinge—bonnet	R.3		
Hinge—boot lid	R.6		
Hinge—door	R.7		
Holder—licence	R.34		
Hood	R.10		
Horn	N.12		
Horn—push	N.12		
Hose—brake	M.3		
Hose—fresh-air unit	R.33		
Hose—heater	R.31, R.32		
Housing—distributor	C.1		
Hub—front	A.4		
Hub—rear	K.2		
	H.2		
<b>I</b>			
Ignition—equipment	B.1, B.2		
Instruments	O.1-O.3		
<b>J</b>			
Jet—windscreen washer	R.9		
Joint set—engine decarbonizing	Page		
Joint set—engine supplementary	A.14		
Journal and needle kit—propeller shaft	A.14		
	C.1		
<b>K</b>			
Key—boot lid lock	R.6		
Key—camshaft gear	A.4		
Key—crankshaft gear	A.3		
Key—ignition	N.4		
Key—steering-column lock	N.4		
Kit—calliper unit repair	J.3		
Kit—clutch slave cylinder repair	K.4		
Kit—engine service	E.1		
Kit—front wheel cylinder repair	A.14		
Kit—fuel pump repair	K.4		
Kit—master cylinder repair	D.3		
Kit—rear wheel cylinder repair	M.1		
Kit—swivel pin and bush repair	H.4		
Kit—water pump repair	K.5		
Knob—change speed lever	A.12		
Knob—fresh-air unit control	F.4		
Knob—heater switch	R.33		
Knob—horn—push	R.31		
Knob—windscreen washer control	N.12		
	R.9		
<b>L</b>			
Lamp—fog	N.11		
Lamp—number-plate	N.11		
Lamp—side and flasher	N.10		
Lamp—stop/tail/flasher and reflex	N.10		
Lamps—road	N.6-N.11		
Laygear	F.1		
Layshaft	F.1		
Leathercloth—bulk	R.21, R.26		
Leaves—road spring	HL5		
Lever—accelerator pedal	A.18		
Lever—balance—hand brake	M.4		
Lever—change speed	F.4		
Lever—clutch withdrawal	F.3		
Lever—gearbox front and rear selector	F.5		
Lever—hand brake—wheel cylinder	H.3, H.4		
Lever—steering	K.1		
Lid—boot	R.6		
Lighter—cigar	R.34		
Liner—cylinder block	A.13		
Lines—trim	R.16, R.17, R.22-R.24		
Linings—clutch	E.1		
Lining—front brake	K.3		
Lining—rear brake	H.3		
Link—accelerator pedal	A.18		
Link—dynamo adjusting	A.13		
Link—lower—front suspension	K.1		
Link—rear shock absorber	L.1		
Link—top—rear shock absorber	L.1		
Lock—bonnet	R.4		
Lock—boot	R.6		
Lock—door	R.7		
Lock—ignition switch	N.4		
Lock—steering-column	J.3		
Luggage grid	R.34		
<b>M</b>			
Manifold—exhaust	A.15		
Manifold—inlet	A.15		
Mats—floor	R.18-R.20		
Mirror—interior	R.34		
Mirror—wing	R.6		
Motif—Midget—boot lid	N.13		
Motor—windscreen wiper	R.3		
Moulding—bonnet centre	R.7		
Moulding—door	R.2		
Moulding—shroud	R.5		
Moulding—wing	A.13		
Mounting—dynamo	A.16		
Mounting—engine	A.16		
Mounting—exhaust pipe	A.17		
Mounting—windscreen washer jet	R.9		
<b>N</b>			
Nozzle—demister	R.32		
Number-plates	R.15		
Nut—wheel stud	H.2, K.2		
<b>O</b>			
Over-riders	R.14		
<b>P</b>			
Pad—brake pedal	M.1		
Pad—caliper unit—disc brake	K.4		
Pad—clutch pedal	E.2		
Paint	S.1		
Panel—fascia	O.1		
Panels—body	R.1, R.2		
Pedal—accelerator	A.18		
Pedal—brake	M.1		
Pedal—clutch	E.2		
Pillar—dynamo adjusting link	A.13		
Pin—gudgeon	A.2		
Pin—swivel	K.1		
Pinion and barrel—starter	N.3		
Pinion—differential	H.1		
Pinion—speedometer	F.4		
Pinion—steering	J.1		
Type—air cleaner to rocker cover	D.7		





The following is a complete index of parts in this List, giving the page reference of each part number

Part Number	Page	Amdt. Number	Part Number	Page	Amdt. Number	Part Number	Page	Amdt. Number	Part Number	Page	Amdt. Number	Part Number	Page	Amdt. Number
1A1559	A.3		2A522	A.9		2A8019	F.3		2A8884	F.4		2A8884	F.4	
1A1716	A.3		2A533	A.5		2A8021	F.3		2A8885	F.5		2A8885	F.5	
1A1717	A.3		2A535	A.5		2A8023	F.2		2A8888	F.5		2A8888	F.5	
1A1964	A.1		2A569	A.7		2A8024	F.2		2A8890	F.3		2A8890	F.3	
1A2093	A.7		2A601	A.12		2A8025	F.1		2A8406	F.4		2A8406	F.4	
1A2206	A.9		2A612	A.4		2A8025	F.2		2A8411	F.4		2A8411	F.4	
1A4744	K.1		2A654	A.3		2A8025	F.3		2A8416	F.4		2A8416	F.4	
1A171603	A.3		2A656	A.3		2A8026	F.2		2A8420	F.4		2A8420	F.4	
1A171703	A.3		2A659	A.3		2A8027	F.2		2A8467	F.5		2A8467	F.5	
			2A660	A.3		2A8028	F.3		2A8468	F.5		2A8468	F.5	
2A11	A.5		2A664	A.12		2A8037	F.3		2A8664	F.4		2A8664	F.4	
2A12	A.5		2A665	A.12		2A8061	F.4		2A4003	K.2		2A4003	K.2	
2A13	A.4		2A667	A.12		2A8076	F.3		2A4004	K.1		2A4004	K.1	
2A14	A.4		2A668	A.9		2A8085	F.2		2A4005	K.1		2A4005	K.1	
2A15	A.5		2A700	A.10		2A8087	F.1		2A4006	K.1		2A4006	K.1	
2A16	A.5		2A704	A.8		2A8108	F.3		2A4007	K.1		2A4007	K.1	
2A18	A.5		2A715	A.11		2A8110	F.3		2A4008	K.1		2A4008	K.1	
2A21	A.5		2A758	A.13		2A8141	F.3		2A4009	K.1		2A4009	K.1	
2A22	A.5		2A759	A.4		2A8142	F.2		2A4010	K.1		2A4010	K.1	
2A23	A.5		2A769	A.10		2A8145	F.2		2A4011	K.1		2A4011	K.1	
2A53	A.1		2A774	A.12		2A8147	F.1		2A4020	K.1		2A4020	K.1	
2A54	A.1		2A776	A.12		2A8147	F.2		2A4024	K.5		2A4024	K.5	
2A76	A.3		2A777	A.12		2A8160	F.2		2A4027	K.5		2A4027	K.5	
2A84	A.4		2A778	A.12		2A8161	F.2		2A4028	K.5		2A4028	K.5	
2A85	A.4		2A784	A.13		2A8168	F.1		2A4029	K.5		2A4029	K.5	
2A110	A.15		2A803	A.12		2A8168	F.1		2A4066	K.2		2A4066	K.2	
2A113	D.2		2A819	A.9		2A8245	F.2		2A4067	K.2		2A4067	K.2	
2A118	A.7		2A828	A.3		2A8253	F.3		2A4082	K.5		2A4082	K.5	
2A123	A.7		2A830	A.3		2A8282	F.3		2A4146	K.2		2A4146	K.2	
2A125	A.2		2A837	A.2		2A8283	F.3		2A4148	K.2		2A4148	K.2	
2A126	A.2		2A847	A.4		2A8284	F.3		2A4163	K.5		2A4163	K.5	
2A127	A.1		2A879	A.5		2A8285	F.1		2A4168	K.1		2A4168	K.1	
2A128	A.13		2A937	A.7		2A8286	F.1		2A4172	K.5		2A4172	K.5	
2A139	A.4		2A939	A.7		2A8289	F.3		2A4174	K.5		2A4174	K.5	
2A150	A.6		2A940	A.4		2A8295	F.4		2A4176	K.1		2A4176	K.1	
2A179	A.6		2A957	A.9		2A8305	F.3		2A4205	K.1		2A4205	K.1	
2A180	A.6		2A962	A.9		2A8325	F.4		2A4206	K.1		2A4206	K.1	
2A237	A.17		2A964	A.5		2A8335	F.5		2A4214	K.5		2A4214	K.5	
2A242	A.6		2A1015	A.3		2A8338	F.4		2A4272	K.5		2A4272	K.5	
2A243	A.6		2A2069	D.1		2A8340	F.4		2A4299	K.2		2A4299	K.2	
2A243	A.12		2A2070	D.1		2A8341	F.4		2A4304	K.1		2A4304	K.1	
2A258	A.5		2A2071	D.1		2A8344	F.4		2A4348	K.2		2A4348	K.2	
2A260	A.9		2A2077	A.18		2A8345	F.4		2A5420	A.16		2A5420	A.16	
2A269	A.8		2A2079	A.18		2A8347	F.3		2A5422	A.16		2A5422	A.16	
2A294	A.8		2A2082	C.1		2A8350	F.4		2A5472	S.1		2A5472	S.1	
2A299	A.4		2A2083	C.1		2A8352	F.5		2A5509	R.2		2A5509	R.2	
2A300	A.7		2A2084	C.1		2A8366	F.1		2A5524	R.2		2A5524	R.2	
2A339	A.9		2A2085	N.4		2A8367	F.4		2A5533	R.2		2A5533	R.2	
2A375	B.2		2A2091	A.17		2A8371	F.3		2A5538	M.2		2A5538	M.2	
2A380	A.8		2A2156	A.6		2A8375	F.5		2A5549	M.2		2A5549	M.2	
2A494	A.9		2A2184	M.3		2A8378	F.5		2A5552	A.16		2A5552	A.16	
2A504	D.1		2A8006	F.3		2A8379	F.5		2A5559	M.1		2A5559	M.1	
2A515	A.5		2A8007	F.1		2A8380	F.4		2A5564	E.2		2A5564	E.2	

**THE M.G. MIDGET**

**PART NUMBER INDEX**

Part Number	Page	Amdt. Number	Part Number	Page	Amdt. Number	Part Number	Page	Amdt. Number	Part Number	Page	Amdt. Number	Part Number	Page	Amdt. Number
2A5564	M.1		2A7250	H.1		12A006610	A.1		14A6745	R.18		14A6745	R.18	
2A5565	M.1		2A7271	H.1		12A006620	A.1		14A6745	R.24		14A6745	R.24	
2A5568	E.2		2A7272	G.1		12A006630	A.1		14A7074	R.3		14A7074	R.3	
2A5570	A.16		2A7278	L.1		12A006640	A.1		14A8196	R.34		14A8196	R.34	
2A5571	A.16		2A7279	H.5		12A006710	A.1		14A8225	R.34		14A8225	R.34	
2A5572	M.2		2A7279	L.1		12A006720	A.1		14A8226	R.34		14A8226	R.34	
2A5573	E.2		2A7290	M.4		12A006730	A.1		14A9274	R.23		14A9274	R.23	
2A5573	M.1		2A7291	M.4		12A006740	A.1							
2A5574	E.2		2A7306	L.1		12A006810	A.1		21A137	K.5		21A137	K.5	
2A5574	M.1		2A7308	M.4		12A006820	A.1		21A153	K.1		21A153	K.1	
2A5575	M.2		2A7309	H.5		12A006830	A.1		21A168	D.1		21A168	D.1	
2A5576	M.2		2A7310	L.1		12A006840	A.1							
2A5587	M.2		2A8012	H.2		12A018710	A.1		22A71	F.4		22A71	F.4	
2A5589	M.2		2A8012	K.2		12A018720	A.1		22A75	F.3		22A75	F.3	
2A5591	C.1		2A9075	N.15		12A018730	A.1		22A75	F.5		22A75	F.5	
2A5592	C.1		2A9076	N.15		12A018740	A.1		22A84	F.5		22A84	F.5	
2A5605	M.3		2A9097	N.15		12A028010	A.1		22A85	F.5		22A85	F.5	
2A5607	M.3		2A9104	O.3		12A028020	A.1		22A131	F.3		22A131	F.3	
2A5609	M.3		2A9105	O.3		12A028030	A.1		22A138	F.1		22A138	F.1	
2A5611	M.3		2A9108	O.3		12A028040	A.1		22A138	F.2		22A138	F.2	
2A5615	M.3		2A9156	N.10					22A170	F.1		22A170	F.1	
2A5626	S.1		2A001310	A.4		14A81	R.7		22A170	F.4		22A170	F.4	
2A5627	S.1		2A001320	A.4		14A82	R.7		22A183	F.3		22A183	F.3	
2A5635	O.2		2A083702	A.2		14A366	R.4		22A198	F.3		22A198	F.3	
2A5637	O.2		2A083704	A.2		14A716	R.7		22A204	F.1		22A204	F.1	
2A5640	O.2		2A083706	A.2		14A764	R.18		22A207	E.1		22A207	E.1	
2A5740	M.3					14A764	R.18		22A218	E.1		22A218	E.1	
2A6128	J.2		12A1	D.2		14A764	R.24		22A219	F.3		22A219	F.3	
2A6129	J.2		12A14	A.6		14A1102	R.32		22A224	F.1		22A224	F.1	
2A6130	1.3		12A19	A.8		14A3823	R.34		22A233	E.1		22A233	E.1	
2A6131	J.2		12A20	A.8		14A4497	O.1		22A332	F.2		22A332	F.2	
2A6132	1.3		12A22	A.7		14A4497	R.29		22A495	F.2		22A495	F.2	
2A6133	1.3		12A24	A.7		14A4635	R.1							
2A6136	J.3		12A29	A.6		14A4636	R.1		ACA400	K.2		ACA400	K.2	
2A6142	J.3		12A31	A.12		14A4667	N.1		ACA5118	J.2		ACA5118	J.2	
2A6144	1.3		12A32	A.6		14A4673	R.7		ACA5128	D.1		ACA5128	D.1	
2A6158	N.12		12A36	A.1		14A4677	R.7		ACA5129	D.1		ACA5129	D.1	
2A6161	N.12		12A66	A.1		14A4684	R.3		ACA5172	R.32		ACA5172	R.32	
2A6162	N.12		12A67	A.1		14A4687	R.3		ACA5173	R.32		ACA5173	R.32	
2A7015	H.1		12A107	A.2		14A4706	O.1		ACA5208	F.5		ACA5208	F.5	
2A7016	H.1		12A141	A.9		14A4706	R.32		ACA5216	S.1		ACA5216	S.1	
2A7027	H.1		12A143	A.10		14A4762	R.32		ACA5244	J.1		ACA5244	J.1	
2A7057	M.4		12A182	A.4		14A4778	R.30		ACA5245	J.1		ACA5245	J.1	
2A7058	M.4		12A183	A.4		14A4790	R.32		ACA5246	J.1		ACA5246	J.1	
2A7062	H.1		12A184	A.5		14A4791	R.32		ACA5247	J.2		ACA5247	J.2	
2A7087	H.2		12A186	A.5		14A4801	N.13		ACA5248	J.1		ACA5248	J.1	
2A7089	H.2		12A187	A.1		14A4802	N.13		ACA5249	J.1		ACA5249	J.1	
2A7103	H.1		12A189	A.4		14A5473	R.34		ACA5257	J.1		ACA5257	J.1	
2A7142	H.1		12A190	A.6		14A5519	R.30		ACA5258	J.1		ACA5258	J.1	
2A7168	K.3		12A191	A.5		14A5520	R.30		ACA5259	J.1		ACA5259	J.1	
2A7168	H.4		12A192	A.15		14A5772	R.33		ACA5260	J.1		ACA5260	J.1	
2A7213	H.2		12A198	A.9		14A6511	P.1		ACA5261	J.1		ACA5261	J.1	
2A7226	H.1		12A210	A.5		14A6536	R.10		ACA5275	J.1		ACA5275	J.1	
2A7228	H.4		12A211	A.5		14A6537	R.10		ACA5284	J.1		ACA5284	J.1	
2A7228	K.3		12A250	A.4		14A6537	R.11		ACA5285	J.1		ACA5285	J.1	
2A7242	H.2		12A280	A.1		14A6538	R.10		ACA5286	J.1		ACA5286	J.1	
			12A304	A.11		14A6538	R.11		ACA5290	D.7		ACA5290	D.7	
						14A6614	P.1		ACA5301	J.1		ACA5301	J.1	

**THE M.G. MIDGET**

**PART NUMBER INDEX**

Part Number	Page	Amdt. Number	Part Number	Page	Amdt. Number	Part Number	Page	Amdt. Number	Part Number	Page	Amdt. Number	Part Number	Page	Amdt. Number
ACA5302	J.1		ADH573	R.12		AEA3033	F.2		AHA5283	R.1				
ACA5303	J.1		ADH785	N.11		AEA3034	F.2		AHA5284	R.1				
ACA5304	J.1		ADH2475	R.6		AEA3188	F.1		AHA5305	L.1				
ACA5307	J.1		ADH2476	R.6		AEA3196	F.2		AHA5306	L.1				
ACA5320	J.1		ADH2477	R.6		AEA3199	F.2		AHA5311	L.1				
ACA5375	M.3		ADH4492	R.6		AEA3200	F.2		AHA5312	L.1				
ACA5420	O.2					AEA3201	F.2		AHA5313	L.1				
ACA5421	O.2		AEA90	A.5		AEA3203	F.1		AHA5314	R.9				
ACA5422	O.2		AEA301	A.13		AEA3204	F.2		AHA5315	R.9				
ACA5432	S.1		AEA305	A.10		AEA3207	F.2		AHA5316	R.9				
ACA5453	A.18		AEA306	A.6					AHA5317	R.9				
ACA5455	R.31		AEA309	N.1		AEC82	A.12		AHA5318	R.9				
ACA5456	R.31		AEA311	A.5		AEC97	A.6		AHA5319	R.9				
ACA6015	J.1		AEA312	A.4		AED172	A.11		AHA5320	R.9				
ACA6017	J.1		AEA313	A.11					AHA5322	R.9				
ACA6018	J.1		AEA325	A.13		AEG3122	F.5		AHA5326	E.2				
ACA6019	J.1		AEA355	E.1		AEG3123	F.5		AHA5329	M.1				
ACA6020	J.1		AEA400	A.5					AHA5331	R.7				
ACA6026	J.1		AEA401	A.5		AEJ48	B.1		AHA5332	R.9				
ACA6027	J.1		AEA402	A.5		AEJ49	N.1		AHA5336	E.2				
ACA6028	J.1		AEA403	A.5		AEJ63	A.13		AHA5346	H.5				
ACA6029	J.2		AEA434	A.5		AEJ78	B.1		AHA5347	H.5				
ACA6030	J.2		AEA489	A.13					AHA5348	H.5				
ACA6031	L.1		AEA538	A.3					AHA5349	H.5				
ACA8014	D.7		AEA574	A.5		AFH1684	R.7		AHA5350	H.5				
			AEA576	A.15					AHA5351	H.5				
ACB9162	M.3		AEA579	B.1		AHA5008	R.21		AHA5352	H.5				
ACB9425	J.3		AEA581	B.1		AHA5054	R.17		AHA5353	H.5				
			AEA582	D.1		AHA5059	R.17		AHA5354	A.17				
ACC5062	A.18		AEA586	D.6		AHA5064	R.16		AHA5360	A.17				
			AEA588	D.6		AHA5094	R.16		AHA5361	A.17				
ACC5179	N.11		AEA589	D.6		AHA5099	R.18		AHA5389	J.2				
ACC5180	N.11		AEA592	D.6		AHA5104	R.16		AHA5412	R.17				
ACC6009	J.1		AEA594	A.4		AHA5109	R.16		AHA5413	R.24				
ACC6010	J.1		AEA596	A.4		AHA5119	R.18		AHA5420	R.8				
			AEA597	A.18		AHA5176	R.1		AHA5421	E.2				
ACH5854	D.1		AEA600	A.18		AHA5185	R.1		AHA5435	J.3				
ACH5854	D.6		AEA601	A.6		AHA5204	R.16		AHA5437	R.35				
ACH6170	J.2		AEA602	A.18		AHA5208	R.16		AHA5445	D.1				
ACH6173	J.2		AEA607	A.6		AHA5211	R.15		AHA5455	R.7				
ACH8529	O.2		AEA630	A.4		AHA5213	R.31		AHA5456	R.7				
ACH8979	A.18		AEA633	A.15		AHA5214	R.31		AHA5465	R.2				
ACH9009	B.1		AEA635	A.15		AHA5216	R.8		AHA5466	R.2				
ACH9041	B.1		AEA643	A.13		AHA5217	R.10		AHA5468	H.5				
ACH9042	A.18		AEA644	A.13		AHA5219	R.29		AHA5484	A.16				
			AEA657	A.10		AHA5221	H.5		AHA5486	R.9				
ADA833	R.28		AEA658	A.11		AHA5222	H.5		AHA5496	J.2				
ADA1874	R.23		AEA663	B.1		AHA5223	R.30		AHA5499	R.30				
ADA1874	R.24		AEA678	A.11		AHA5224	L.1		AHA5500	R.30				
ADA2493	R.35		AEA679	A.13		AHA5239	A.17		AHA5501	R.9				
			AEA3021	F.1		AHA5263	R.8		AHA5507	S.1				
ADB509	O.1		AEA3022	F.1		AHA5268	R.21		AHA5508	M.3				
ADB4811	R.19		AEA3023	F.2										
ADB4811	R.20		AEA3024	F.2										
ADB4811	R.26		AEA3025	F.2										
			AEA3031	F.1										
ADC474	R.15		AEA3032	F.1										

Part Number	Page	Amdt. Number	Part Number	Page	Amdt. Number	Part Number	Page	Amdt. Number	Part Number	Page	Amdt. Number	Part Number	Page	Amdt. Number
AHA5512	C.2		AHA5700	R.3		AHA5874	D.7		AHA6057	R.19		AHA6159	R.8	
AHA5513	C.2		AHA5701	R.3		AHA5884	R.10		AHA6058	R.20		AHA6160	R.8	
AHA5514	C.2		AHA5702	R.3		AHA5888	R.11		AHA6059	R.20		AHA6161	R.8	
AHA5515	C.2		AHA5703	N.12		AHA5893	J.3		AHA6060	R.20		AHA6162	R.8	
AHA5516	N.4		AHA5704	N.12		AHA5894	R.8		AHA6061	R.20		AHA6163	R.16	
AHA5517	R.3		AHA5708	R.6		AHA5895	R.8		AHA6062	R.20		AHA6164	R.16	
AHA5519	R.3		AHA5709	R.6		AHA5896	R.8		AHA6063	R.20		AHA6165	R.16	
AHA5521	R.14		AHA5725	R.1		AHA5897	R.10		AHA6067	R.29		AHA6166	J.3	
AHA5522	R.14		AHA5726	R.1		AHA5899	R.10		AHA6068	R.29		AHA6172	A.17	
AHA5533	R.15		AHA5729	R.1		AHA5900	R.10		AHA6069	R.29		AHA6173	A.17	
AHA5535	D.1		AHA5730	R.1		AHA5901	R.10		AHA6070	R.29		AHA6177	R.30	
AHA5536	D.1		AHA5731	R.1		AHA5902	R.10		AHA6071	R.29		AHA6178	R.30	
AHA5539	P.1		AHA5732	R.1		AHA5903	R.17		AHA6080	R.28		AHA6179	R.18	
AHA5541	R.1		AHA5733	R.1		AHA5904	R.17		AHA6081	R.28		AHA6180	R.18	
AHA5543	R.4		AHA5746	A.18		AHA5905	R.17		AHA6082	R.28		AHA6181	R.19	
AHA5545	R.5		AHA5749	R.1		AHA5906	R.17		AHA6083	R.28		AHA6182	R.19	
AHA5546	R.5		AHA5753	R.1		AHA5930	D.7		AHA6084	R.28		AHA6185	R.19	
AHA5549	R.1		AHA5754	R.1		AHA5934	R.21		AHA6142	R.21		AHA6187	R.19	
AHA5552	R.1		AHA5755	R.1		AHA5935	R.21		AHA6143	R.21		AHA6188	R.19	
AHA5553	R.1		AHA5765	R.15		AHA5936	R.21		AHA6144	R.21		AHA6189	R.20	
AHA5554	R.1		AHA5768	R.10		AHA5952	R.11		AHA6145	R.21		AHA6190	R.20	
AHA5548	R.5		AHA5769	R.10		AHA5953	R.11		AHA6146	R.21		AHA6191	R.20	
AHA5546	R.5		AHA5791	R.15		AHA5954	R.11		AHA6150	R.8		AHA6192	R.20	
AHA5549	R.1		AHA5794	R.8		AHA5955	R.17		AHA6151	R.8				
AHA5552	R.4		AHA5795	R.8		AHA5956	R.17		AHA6152	R.8				
AHA5553	R.5		AHA5796	R.8		AHA5957	R.17		AHA6153	R.8				
AHA5554	R.2		AHA5798	R.8		AHA5958	R.17		AHA6154	R.8				
AHA5555	R.2		AHA5799	R.8		AHA5959	R.17		AHA6155	R.8				
AHA5556	R.2		AHA5800	R.8		AHA5960	R.17		AHA6156	R.8				
AHA5617	R.2		AHA5801	R.8		AHA5961	R.18		AHA6157	R.8				
AHA5618	R.1		AHA5802	R.8		AHA5962	R.18		AHA6158	R.8				
AHA5619	R.3		AHA5803	R.8		AHA5963	R.18		AHA6159	R.8				
AHA5620	R.3		AHA5804	R.8		AHA5967	J.3		AHA6160	R.8				
AHA5622	R.3		AHA5805	R.15		AHA5968	R.20		AHA6161	R.8				
AHA5624	N.14		AHA5806	N.11		AHA5969	R.20		AHA6162	R.8				
AHA5626	N.14		AHA5807	N.11		AHA5970	R.16		AHA6163	R.16				
AHA5642	R.1		AHA5807	R.6		AHA5973	R.20		AHA6164	R.16				
AHA5653	P.1		AHA5808	R.6		AHA6008	R.30		AHA6165	R.16				
AHA5654	N.12		AHA5809	R.6		AHA6009	R.30		AHA6166	R.16				
AHA5655	D.1		AHA5810	N.11		AHA6010	R.30		AHA6167	J.3				
AHA5656	D.1		AHA5811	R.6		AHA6011	R.30		AHA6172	A.17				
AHA5657	R.14		AHA5812	R.6		AHA6012	R.11		AHA6173	A.17				
AHA5660	R.3		AHA5813	R.21		AHA6033	R.11		AHA6177	R.30				
AHA5661	R.14		AHA5814	R.21		AHA6043	R.20		AHA6178	R.30				
AHA5662	A.18		AHA5817	R.21		AHA6044	R.18		AHA6179	R.18				
AHA5663	R.14		AHA5817	R.5		AHA6045	R.18		AHA6180	R.18				
AHA5673	R.14		AHA5818	R.7		AHA6046	R.18		AHA6181	R.18				
AHA5674	R.14		AHA5819	R.5		AHA6047	R.19		AHA6182	R.19				
AHA5675	R.14		AHA5820	R.7		AHA6048	R.19		AHA6183	R.18				
AHA5676	R.6		AHA5821	O.1		AHA6049	R.19		AHA6184	R.18				
AHA5677	R.14		AHA5822	O.1		AHA6049	R.18		AHA6185	R.19				
AHA5678	R.14		AHA5823	R.2		AHA6050	R.18		AHA6186	R.19				
AHA5679	J.3		AHA5824	R.7		AHA6051	R.18		AHA6187	R.19				
AHA5682	R.14		AHA5825	R.7		AHA6052	R.19		AHA6188	R.19				
AHA5683	R.6		AHA5825	R.5		AHA6053	R.19		AHA6189	R.20				
AHA5686	R.14		AHA5838	R.1		AHA6054	R.19		AHA6190	R.20				
AHA5688	A.17		AHA5873	R.1		AHA6055	R.19		AHA6191	R.20				
AHA5689	A.17			D.7		AHA6056	R.19		AHA6192	R.20				
AHA5690	A.17													
AHA5692	N.15													
AHA5695	R.14													
AHA5696	R.14													
AHA5698	R.10													

THE M.G. MIDGET

PART NUMBER INDEX

Part Number	Page	Amdt. Number	Part Number	Page	Amdt. Number	Part Number	Page	Amdt. Number	Part Number	Page	Amdt. Number	Part Number	Page	Amdt. Number	Part Number	Page	Amdt. Number
AHA6200	R.17		AHA6323	R.12		AHA6502	R.8		AHA6679	R.22		AHA6679	R.22		AHA6679	R.22	
AHA6201	R.17		AHA6324	N.15		AHA6503	R.8		AHA6680	R.22		AHA6680	R.22		AHA6680	R.22	
AHA6202	N.4		AHA6331	O.2		AHA6504	R.8		AHA6681	R.22		AHA6681	R.22		AHA6681	R.22	
AHA6203	A.18		AHA6332	R.12		AHA6505	R.8		AHA6682	R.22		AHA6682	R.22		AHA6682	R.22	
AHA6205	R.2		AHA6333	R.12		AHA6506	R.8		AHA6683	R.22		AHA6683	R.22		AHA6683	R.22	
AHA6206	R.2		AHA6352	R.5		AHA6509	R.8		AHA6684	R.22		AHA6684	R.22		AHA6684	R.22	
AHA6207	R.6		AHA6353	R.4		AHA6510	R.8		AHA6685	R.22		AHA6685	R.22		AHA6685	R.22	
AHA6208	R.23		AHA6354	R.12		AHA6512	R.8		AHA6712	R.10		AHA6712	R.10		AHA6712	R.10	
AHA6216	R.2		AHA6355	R.12		AHA6513	R.8		AHA6715	R.11		AHA6715	R.11		AHA6715	R.11	
AHA6217	R.2		AHA6355	R.13		AHA6516	R.8		AHA6716	R.22		AHA6716	R.22		AHA6716	R.22	
AHA6220	R.11		AHA6357	R.6		AHA6517	R.8		AHA6717	R.22		AHA6717	R.22		AHA6717	R.22	
AHA6221	R.11		AHA6366	M.2		AHA6518	R.8		AHA6719	R.22		AHA6719	R.22		AHA6719	R.22	
AHA6223	R.2		AHA6366	R.12		AHA6520	R.22		AHA6724	R.22		AHA6724	R.22		AHA6724	R.22	
AHA6236	R.12		AHA6367	A.18		AHA6522	R.22		AHA6725	R.22		AHA6725	R.22		AHA6725	R.22	
AHA6236	R.13		AHA6368	N.11		AHA6522	R.22		AHA6726	R.22		AHA6726	R.22		AHA6726	R.22	
AHA6237	R.12		AHA6369	N.11		AHA6523	R.22		AHA6727	R.22		AHA6727	R.22		AHA6727	R.22	
AHA6238	R.13		AHA6370	H.5		AHA6526	R.22		AHA6732	R.22		AHA6732	R.22		AHA6732	R.22	
AHA6238	R.13		AHA6371	N.12		AHA6536	R.22		AHA6733	R.22		AHA6733	R.22		AHA6733	R.22	
AHA6239	R.12		AHA6372	J.3		AHA6537	R.22		AHA6734	R.22		AHA6734	R.22		AHA6734	R.22	
AHA6239	R.12		AHA6378	K.5		AHA6538	R.22		AHA6735	R.22		AHA6735	R.22		AHA6735	R.22	
AHA6240	R.12		AHA6379	R.19		AHA6601	R.25		AHA6740	R.23		AHA6740	R.23		AHA6740	R.23	
AHA6241	R.12		AHA6380	R.20		AHA6602	R.25		AHA6741	R.23		AHA6741	R.23		AHA6741	R.23	
AHA6241	R.13		AHA6386	R.28		AHA6603	R.25		AHA6742	R.23		AHA6742	R.23		AHA6742	R.23	
AHA6242	R.12		AHA6387	R.28		AHA6604	R.25		AHA6743	R.23		AHA6743	R.23		AHA6743	R.23	
AHA6242	R.13		AHA6392	O.2		AHA6605	R.25		AHA6748	R.23		AHA6748	R.23		AHA6748	R.23	
AHA6244	R.12		AHA6396	N.15		AHA6606	R.25		AHA6749	R.23		AHA6749	R.23		AHA6749	R.23	
AHA6245	R.12		AHA6399	R.6		AHA6607	R.25		AHA6750	R.23		AHA6750	R.23		AHA6750	R.23	
AHA6246	R.12		AHA6406	M.4		AHA6608	R.25		AHA6751	R.23		AHA6751	R.23		AHA6751	R.23	
AHA6249	R.12		AHA6407	M.1		AHA6617	R.26		AHA6756	R.23		AHA6756	R.23		AHA6756	R.23	
AHA6250	R.12		AHA6408	E.2		AHA6618	R.26		AHA6757	R.23		AHA6757	R.23		AHA6757	R.23	
AHA6251	R.12		AHA6409	M.2		AHA6619	R.26		AHA6758	R.23		AHA6758	R.23		AHA6758	R.23	
AHA6252	R.12		AHA6418	H.5		AHA6620	R.26		AHA6759	R.23		AHA6759	R.23		AHA6759	R.23	
AHA6255	R.12		AHA6419	R.8		AHA6625	R.25		AHA6764	R.23		AHA6764	R.23		AHA6764	R.23	
AHA6256	R.3		AHA6420	R.32		AHA6626	R.25		AHA6765	R.23		AHA6765	R.23		AHA6765	R.23	
AHA6257	R.34		AHA6450	R.9		AHA6628	R.25		AHA6766	R.23		AHA6766	R.23		AHA6766	R.23	
AHA6258	A.18		AHA6460	R.13		AHA6641	R.25		AHA6767	R.23		AHA6767	R.23		AHA6767	R.23	
AHA6259	R.28		AHA6461	R.13		AHA6642	R.25		AHA6772	R.23		AHA6772	R.23		AHA6772	R.23	
AHA6260	R.12		AHA6462	R.13		AHA6643	R.25		AHA6773	R.23		AHA6773	R.23		AHA6773	R.23	
AHA6260	R.12		AHA6467	R.18		AHA6644	R.25		AHA6774	R.23		AHA6774	R.23		AHA6774	R.23	
AHA6261	R.12		AHA6468	R.13		AHA6645	R.25		AHA6775	R.23		AHA6775	R.23		AHA6775	R.23	
AHA6262	R.12		AHA6470	R.13		AHA6646	R.25		AHA6780	R.23		AHA6780	R.23		AHA6780	R.23	
AHA6265	N.15		AHA6471	R.13		AHA6647	R.25		AHA6781	R.23		AHA6781	R.23		AHA6781	R.23	
AHA6286	R.35		AHA6472	R.13		AHA6648	R.25		AHA6782	R.23		AHA6782	R.23		AHA6782	R.23	
AHA6287	R.8		AHA6473	R.13		AHA6649	R.25		AHA6783	R.23		AHA6783	R.23		AHA6783	R.23	
AHA6298	R.8		AHA6474	R.13		AHA6650	R.25		AHA6784	R.23		AHA6784	R.23		AHA6784	R.23	
AHA6301	R.12		AHA6482	M.3		AHA6655	R.25		AHA6785	R.23		AHA6785	R.23		AHA6785	R.23	
AHA6303	R.28		AHA6487	R.27		AHA6652	R.25		AHA6786	R.23		AHA6786	R.23		AHA6786	R.23	
AHA6304	R.12		AHA6488	R.27		AHA6653	R.25		AHA6787	R.24		AHA6787	R.24		AHA6787	R.24	
AHA6305	N.1		AHA6490	R.27		AHA6654	R.25		AHA6820	R.24		AHA6820	R.24		AHA6820	R.24	
AHA6314	R.6		AHA6491	R.27		AHA6655	R.25		AHA6830	R.24		AHA6830	R.24		AHA6830	R.24	
AHA6315	R.6		AHA6497	R.8		AHA6656	R.25		AHA6832	R.24		AHA6832	R.24		AHA6832	R.24	
AHA6318	R.12		AHA6498	R.14		AHA6657	N.12		AHA6837	R.24		AHA6837	R.24		AHA6837	R.24	
AHA6319	R.12		AHA6500	R.27		AHA6658	N.12		AHA6838	R.24		AHA6838	R.24		AHA6838	R.24	
			AHA6501	R.8		AHA6678	R.22		AHA6839	R.24		AHA6839	R.24		AHA6839	R.24	

**THE M.G. MIDGET**

**PART NUMBER INDEX**

Part Number	Page	Amdt. Number	Part Number	Page	Amdt. Number	Part Number	Page	Amdt. Number	Part Number	Page	Amdt. Number
AHA6845	R.24		AHH5714	R.32		AKE3039	R.17		ARA1205	C.1	
AHA6846	R.24		AHH5714	R.33		AKE3040	R.17		ARA1206	C.1	
AHA6847	R.24		AHH5759	R.34		AKE3041	R.17		ARA1207	C.1	
AHA6848	R.24		AHH6360	R.22		AKE3042	R.17		ARA1208	C.1	
AHA6849	R.24		AHH6417	R.22		AKE3043	R.17		ARA1209	C.1	
AHA6850	R.24		AHH6417	R.27		AKE3044	R.17		ARA1210	C.1	
AHA6851	R.24					AKE3045	R.16		ARA1211	C.1	
AHA6852	R.24		AJA5008	H.3		AKE3046	R.16		ARA1212	C.1	
AHA6853	R.24		AJA5081	N.6		AKE3047	R.16		ARA1215	C.1	
AHA6854	R.24		AJA5081	N.7		AKE3048	R.16		ARA1216	C.1	
AHA6855	R.24		AJA5081	N.8		AKE3049	R.16		ARA1218	C.1	
AHA6856	R.24		AJA5081	N.9		AKE3050	R.16		ARA1238	C.1	
AHA6861	R.24		AJA5085	K.3		AKE3051	R.17		ARA1259	C.1	
AHA6862	R.24		AJA5086	H.3		AKE3052	R.17				
AHA6863	R.24		AJA5111	R.3		AKE3053	R.17		ARG923	D.1	
AHA6864	R.24		AJA5112	R.6		AKE3058	R.29		ARH672	D.1	
AHA6881	R.24					AKE3059	R.29		ARH1542	C.1	
AHA6882	R.24		AJDI703N	N.4		AKE3060	R.29				
AHA6883	R.24		AJD8804Z	A.9		AKE3061	R.29		ATA4064	K.2	
AHA6884	R.24		AJD6155Z	I.1		AKE3062	R.29		ATA4130	K.1	
AHA6886	R.30		AJD7082	M.4		AKE3064	R.28		ATA4131	K.1	
AHA6887	R.30		AJD7712	A.18		AKE3065	R.28		ATA4132	K.1	
AHA6888	R.30		AJD7722	R.6		AKE3066	R.29		ATA7032	H.1	
AHA6889	R.30		AJD8012Z	D.5		AKE3067	R.28		ATA7036	H.1	
AHA6890	R.24		AJD8012Z	R.9		AKE3068	R.28		ATA7037	H.1	
AHA6891	R.24		AJD8012Z	R.11		AKE3182	R.28		ATA7039	H.1	
AHA6892	R.24					AKE3242	R.28		ATA7043	H.1	
AHA6893	R.24		AJG5016	M.1		AKE4407	R.28		ATA7044	H.1	
AHA6894	R.24					AKE4408	R.28		ATA7047	H.2	
AHA6895	R.24		AJH5057	N.11		AKE4730	R.17		ATA7056	H.2	
AHA6896	R.24		AJH5079	N.13		AKE4731	R.17		ATA7076	H.3	
AHA6897	R.24		AJH5083	M.1		AKE4733	R.30		ATA7077	H.3	
AHA6903	R.24		AJH5084	M.1		AKE4734	R.17		ATA7123	H.2	
AHA6904	R.24		AJH5085	M.1		AKE4735	R.17		ATA7124	H.2	
AHA6905	R.24		AJH5086	M.1		AKE4736	R.17		ATA7125	H.2	
AHA6906	R.24		AJH5128	M.1		AKE4737	R.28		ATA7126	H.2	
AHA6917	R.29		AJH5176	O.2		AKE4738	R.29		ATA7127	H.2	
AHA6918	R.29		AJH5176	O.3		AKE4739	R.29		ATA7128	H.2	
AHA6919	R.29		AJH5178	O.2		AKE4740	R.29		ATA7129	H.2	
AHA6920	R.29		AJH5178	O.3		AKE4741	R.16		ATA7130	H.2	
AHA6922	R.29		AJH5185	O.1					ATA7166	H.2	
AHA6923	R.29					ALA2446	R.6		ATA7166	H.2	
AHA6924	R.29		AKE3024	R.16		ALA3647	R.5		ATA7187	M.4	
AHA6925	R.29		AKE3025	R.16		ALA3647	R.7		ATA7219	H.2	
AHA6980	N.14		AKE3026	R.16					ATA7225	H.2	
AHA6983	R.27		AKE3027	R.16					ATA7232	H.1	
AHA6979	R.24		AKE3028	R.16		ALH2573	R.6		ATA7266	H.1	
			AKE3029	R.16					ATA7269	H.1	
			AKE3030	R.16		ANK4646	N.4		ATA7296	H.1	
AHH5081	L.1		AKE3031	R.16		ANK4646	R.6		ATA7297	H.1	
AHH5171	A.17		AKE3032	R.16					ATA7320	M.4	
AHH5258	O.1		AKE3033	R.16		ARA92	C.1		ATA7326	H.1	
AHH5261	R.6		AKE3034	R.16		ARA113	C.1		ATA7328	H.1	
AHH5433	R.31		AKE3035	R.16		ARA114	D.1		ATA7458	M.4	
AHH5460	R.3		AKE3036	R.16		ARA116	A.17		ATA7459	M.4	
AHH5470	R.14		AKE3037	R.16		ARA134	A.17		ATA7499	H.2	
AHH5654	M.3		AKE3038	R.16		ARA949	D.1				
AHH5712	R.15		AKE3038	R.16		ARA198	C.1				

THE M.G. MIDGET

PART NUMBER INDEX

Part Number	Page	Amdt. Number	Part Number	Page	Amdt. Number	Part Number	Page	Amdt. Number	Part Number	Page	Amdt. Number	Part Number	Page	Amdt. Number	Part Number	Page	Amdt. Number
ATA7618	H.1		AUC8469	D.5		BCA4031	M.3		BHA4361			BHA4361			R.9		
ATC4246	K.1		AUC8473	D.5		BCA4163	P.1		BHA4365			BHA4365			M.1		
AUC990	D.4		AUC8474	D.5		BCA4294	N.4		BHA4372			BHA4372			O.2		
AUC1145	D.5		AUC8475	D.4		BCA4302	N.8		BHA4373			BHA4373			O.2		
AUC1151	D.4		AUC8478	D.4		BCA4308	N.8		BHA4380			BHA4380			O.3		
AUC1152	D.4		AUC8483	D.5		BCA4308	N.5		BHA4381			BHA4381			O.1		
AUC1206	D.4		AUC8667	D.4		BCA4590	R.2		BHA4382			BHA4382			O.1		
AUC1215	D.5		AUC8700	D.4		BFS222	N.10		BHA4383			BHA4383			O.1		
AUC1250	D.4		AUC8719	D.4		BFS323	N.11		BLA768			BLA768			F.5		
AUC1310	D.4		AUC8781	D.4		BFS355	N.9		BLS107			BLS107			F.2		
AUC1317	D.4		AUC8792	D.4		BFS380	N.10		BLS110			BLS110			F.3		
AUC1329	D.4		AUC8965	D.5		BFS410	N.8		BLS110			BLS110			F.5		
AUC1358	D.5		AUC9111	D.4		BFS410	N.9		BMK391			BMK391			N.9		
AUC1366	D.4		AUD1227	D.4		BFS411	N.8		BMK449			BMK449			N.14		
AUC1371	D.4		AUD1410	D.4		BFS987	N.14		BNN105			BNN105			A.15		
AUC1373	D.4		AUD1411	D.4		BFS987	N.15		BRT2413			BRT2413			D.1		
AUC1374	D.5		AUD2101	D.5		BFS989	N.11		BTA108			BTA108			H.2		
AUC1375	D.5		AUD2104	D.5		BHA4082	R.2		BTA339			BTA339			K.2		
AUC1400	D.5		AUD90002	D.5		BHA4082	R.6		BTA370			BTA370			K.3		
AUC1424	D.5		AUD90004	D.5		BHA4086	O.3		BTA372			BTA372			K.3		
AUC1426	D.5		AUD9096	D.4		BHA4151	N.11		BTA373			BTA373			K.3		
AUC1441	D.5		AUD90181	D.4		BHA4175	N.10		BTA382			BTA382			K.1		
AUC1442	D.5		AUE86	D.5		BHA4176	N.12		BTA383			BTA383			K.2		
AUC1457	D.5		AUE87	D.5		BHA4188	N.4		BTA384			BTA384			K.2		
AUC1520	D.5		AWN104	M.4		BHA4204	N.10		BTA440			BTA440			H.2		
AUC2002	D.4		1B2802	N.15		BHA4205	R.31		BTA442			BTA442			K.1		
AUC2057	D.4		1B2925	A.6		BHA4207	R.33		BTA443			BTA443			K.1		
AUC2114	D.4		1B3346	F.8		BHA4208	O.2		BTA444			BTA444			K.4		
AUC2169	D.5		1B3498	M.2		BHA4212	O.3		BTA466			BTA466			H.3		
AUC2175	D.4		1B7364	M.4		BHA4214	O.1		BTA467			BTA467			H.3		
AUC2246	D.4		1B8506	A.13		BHA4217	O.1		BTA472			BTA472			K.3		
AUC2451	D.5		1B8850	M.4		BHA4219	R.17		BTA473			BTA473			K.3		
AUC2694	D.5		1B8995	M.4		BHA4234	N.14		BTA497			BTA497			M.4		
AUC4587	D.4		1B9132	O.2		BHA4235	N.4		BTA498			BTA498			M.4		
AUC4900	D.4		4B2502	J.3		BHA4235	N.6		BTA532			BTA532			H.2		
AUC5002	D.5		4B9713	R.31		BHA4235	N.7		BTA539			BTA539			H.1		
AUC5156	D.4		4B9713	R.33		BHA4235	N.8		BTA549			BTA549			H.1		
AUC8044	D.4		11B2037	O.2		BHA4237	N.9		BTA550			BTA550			H.1		
AUC8091	D.4		11B5721	R.14		BHA4242	N.4		BTA566			BTA566			H.3		
AUC8114	D.4		14E720	R.4		BHA4245	N.10		BTA567			BTA567			H.3		
AUC8396	D.5		14E1730	R.10		BHA4246	R.31		BTA600			BTA600			H.1		
AUC8453	D.4		14E2685	R.15		BHA4247	R.33		BTA601			BTA601			K.1		
AUC8457	D.5		14E2685	R.35		BHA4250	N.6		BTA605			BTA605			K.1		
AUC8459	D.4		14E2685	R.35		BHA4251	O.1		BTA606			BTA606			K.1		
AUC8460	D.4		14E7889	R.8		BHA4253	R.35		BTA607			BTA607			K.1		
AUC8461	D.4		24E540	R.12		BHA4254	P.1		BTA613			BTA613			K.1		
AUC8462	D.5		24B540	R.13		BHA4257	N.15		1C166			1C166			O.2		
AUC8463	D.5		24B540	R.13		BHA4275	N.15		CFP625			CFP625			O.3		
AUC8464	D.4					BHA4311	M.3										



Part Number	Page	Amdt. Number	Part Number	Page	Amdt. Number	Part Number	Page	Amdt. Number	Part Number	Page	Amdt. Number	Part Number	Page	Amdt. Number
CHR0807	M.3		FNZ103	K.1		FNZ107	R.23		8G17	A.1		8G17	A.1	
CHR0405	N.14		FNZ108	M.3		FNZ108	R.14		8G505	D.1		8G505	D.1	
	A.15		FNZ103	N.4		FNZ204	A.18		8G531	R.31		8G531	R.31	
CHS2620			FNZ103	N.9		FNZ204	E.2		8G548	N.4		8G548	N.4	
	A.14		FNZ103	R.2		FNZ205	M.1		8G549	A.4		8G549	A.4	
			FNZ103	R.3		FNZ205	H.5		8G550	C.1		8G550	C.1	
CLZ0314	M.4		FNZ103	R.4		FNZ205	M.2		8G589	K.1		8G589	K.1	
CLZ0414	M.4		FNZ103	R.5		FNZ205	R.3		8G612	A.6		8G612	A.6	
CLZ0514	M.4		FNZ103	R.7		FNZ206	N.3		8G821	K.5		8G821	K.5	
CLZ0515	M.4		FNZ103	R.9		FNZ206	R.4		8G854	D.1		8G854	D.1	
CLZ0517	E.1		FNZ103	R.11		FNZ210	J.2		8G864	F.1		8G864	F.1	
			FNZ103	R.16		FNZ306	K.5		8G884	A.10		8G884	A.10	
			FNZ103	R.21		FNZ307	K.1		8G897	A.12		8G897	A.12	
			FNZ103	R.22		FNZ407	J.2		8G698	A.12		8G698	A.12	
CMZ0808	R.16		FNZ103	R.27		FWP106	R.12		8G716	A.8		8G716	A.8	
CMZ0818	N.4		FNZ103	R.32		FWP106	R.13		8G2198	A.3		8G2198	A.3	
CMZ0407	K.3		FNZ103	R.33		FWP106	R.16		8G2205	D.3		8G2205	D.3	
CMZ0410	H.2		FNZ103	A.17		FWP106	R.17		8G2206	D.3		8G2206	D.3	
CMZ0410	H.4		FNZ104	A.18		FWP106	R.18		8G2222	A.3		8G2222	A.3	
CMZ0410	R.7		FNZ104	B.2		FWP106	R.25		8G2232	A.14		8G2232	A.14	
			FNZ104	F.1		FWP110	R.16		8G2320	A.12		8G2320	A.12	
CNZ102	O.1		FNZ104	M.3		FWP906	R.22		8G3000	G.1		8G3000	G.1	
CNZ102	R.3		FNZ104	F.1		FWP906	R.23		8G4177	K.5		8G4177	K.5	
CNZ102	R.6		FNZ104	N.1		FWP908	R.24		8G8146	E.1		8G8146	E.1	
CRS0410	R.30		FNZ104	N.12		FWZ106	R.17		8G8181	A.9		8G8181	A.9	
			FNZ104	O.1					8G8224	M.1		8G8224	M.1	
CTZ604	R.19		FNZ104	O.2		IG752	A.7		8G8243	H.4		8G8243	H.4	
CTZ604	R.20		FNZ104	R.5		IG752	F.1		8G8245	K.4		8G8245	K.4	
CTZ604	R.26		FNZ104	R.9		IG1167	A.3		8G8255	H.4		8G8255	H.4	
			FNZ104	R.15		IG1319	A.4		8G8345	E.1		8G8345	E.1	
			FNZ104	A.6		IG1452	A.9		8G8452	J.2		8G8452	J.2	
8D5768	N.13		FNZ105	A.6		IG1783	A.13		8G8646	H.3		8G8646	H.3	
			FNZ105	A.16		IG2624	D.6		8G8667	K.4		8G8667	K.4	
			FNZ105	A.17		IG2984	A.4		8G8668	K.4		8G8668	K.4	
11D5264	M.3		FNZ105	F.3		IG3584	H.1		8G8670	K.3		8G8670	K.3	
			FNZ105	F.4		IG3667	F.3		8G8671	H.3		8G8671	H.3	
21D60	M.3		FNZ105	F.5		IG3707	F.5		8G8672	H.3		8G8672	H.3	
			FNZ105	H.1		IG3863	F.5		8G8741	K.3		8G8741	K.3	
DMP0721	R.5		FNZ105	H.3		IG7439	H.2		8G8762	H.4		8G8762	H.4	
DMP0721	R.7		FNZ105	H.5		IG9198	M.3		8G8768	H.3		8G8768	H.3	
DMP0819	C.2		FNZ105	K.1		4G877	R.30		8G8766	M.1		8G8766	M.1	
DMP0829	C.1		FNZ105	K.1		4G1588	R.4		8G9088	R.31		8G9088	R.31	
DMP0835	R.17		FNZ105	N.4		4G1851	R.35		8G9100	R.31		8G9100	R.31	
DMP0885			FNZ105	R.6		4G2494	R.4		8G9107	R.33		8G9107	R.33	
			FNZ105	R.6		4G2541	R.5		8G9110	R.11		8G9110	R.11	
2F2440	A.8		FNZ106	A.18		4G8085	R.4		8G9111	R.11		8G9111	R.11	
			FNZ106	A.16		4G3676	R.4		8G9112	R.11		8G9112	R.11	
8F2408	R.10		FNZ106	D.6		4G4820	R.4		8G9113	R.11		8G9113	R.11	
8F2409	R.10		FNZ106	L.1		4G6680	R.5		8G9114	R.11		8G9114	R.11	
8F2480	R.10		FNZ106	L.1		4G6957	R.35		8G9115	R.11		8G9115	R.11	
			FNZ106	L.1		4G8621	R.4		8G9176	R.11		8G9176	R.11	
FNN104	A.6		FNZ106	L.1		4G9763	R.35		8G9177	R.11		8G9177	R.11	
FNN105	A.6		FNZ107	L.1		8G16	A.1		8G219820	A.3		8G219820	A.3	
FNN107	H.1		FNZ107	L.1										
FNN207	N.1													
FNN504	F.3													
FNN612	H.2													
FNZ108	C.1													

THE M.G. MIDGET

PART NUMBER INDEX

Part Number	Page	Amdt. Number	Part Number	Page	Amdt. Number	Part Number	Page	Amdt. Number	Part Number	Page	Amdt. Number	Part Number	Page	Amdt. Number
8G219830	A.3		2H3406	N.14		7H1886	D.2		7H5128	N.5				
8G219840	A.3		2H3406	R.31		7H1887	D.2		7H5130	N.13				
8G222210	A.3		2H4185	N.4		7H1888	D.2		7H5156	N.3				
8G222220	A.3		2H4243	B.2		7H1889	D.2		7H5164	N.11				
8G222230	A.3		2H4244	B.2		7H1890	D.2		7H5185	N.11				
8G222240	A.3		2H4245	B.2		7H1891	D.2		7H5376	N.2				
			2H4246	B.2		7H1892	D.2		7H5388	N.1				
11G176	A.13		2H4605	H.5		7H1893	D.2		7H5390	N.1				
11G2034	A.18		2H6136	R.25		7H1893	D.2		7H5522	N.5				
			2H6186	R.26		7H1861	D.2		7H5527	N.1				
12G50	A.9		2H6198	R.35		7H1666	D.2		7H5529	N.3				
12G69	A.9		2H8445	R.19		7H1667	D.2		7H5536	N.10				
12G120	A.12		2H8445	R.20		7H1670	D.2		7H5582	N.6				
			2H8445	R.25		7H1679	D.2		7H5582	N.7				
			2H8445	R.26		7H1756	A.10		7H5582	N.8				
14G2444	R.4					7H1758	A.10		7H5582	N.9				
14G3499	R.32		3H550	M.3		7H1759	A.10		7H5944	M.4				
14G3722	N.13		3H576	A.7		7H1761	A.10		7H5945	M.4				
14G5508	N.1		3H688	O.2		7H1764	A.10		7H5946	M.4				
14G5716	R.18		3H822	O.3		7H1765	A.10		7H5947	M.4				
14G5716	R.25		3H949	N.4		7H1840	A.10		7H5948	M.4				
14G6451	R.33		3H950	N.4		7H3004	E.1		7H5949	M.4				
14G7582	N.1		3H952	N.3		7H3025	E.1		7H5950	M.4				
14G8736	R.19		3H1031	N.8		7H3028	E.1		7H5951	M.4				
14G8736	R.20		3H1422	N.9		7H3029	E.1		7H6807	A.9				
			3H2006	B.2		7H3031	E.1		7H6808	A.9				
21G9057	N.10		3H2098	B.2		7H3166	E.1		7H6810	A.9				
24G1052	R.4		3H2113	A.13		7H3181	E.1		7H6813	A.9				
24G1482	R.31		3H2127	F.1		7H3185	E.1		7H6887	N.2				
			3H2185	A.4		7H3221	E.1		7H6993	H.3				
28G87	F.1		3H2287	B.1		7H3222	E.1		7H7022	M.1				
28G118	R.2		3H2424	M.3		7H3565	E.1		7H7368	K.3				
28G119	R.2		3H2428	M.3		7H3763	J.2		7H7398	K.3				
28G120	R.2		3H2428	E.1		7H3856	J.2		7H7898	K.3				
28G121	R.2		3H2428	K.3		7H3874	G.1		7H7898	K.3				
28G122	R.2		3H2615	K.4		7H3877	G.1		7H7898	K.3				
28G130	A.1		3H2695	M.3		7H5028	G.1		7H7485	M.1				
28G131	A.1		3H2696	R.4		7H5031	N.1		7H7487	M.1				
28G132	A.5		3H2724	B.2		7H5038	N.1		7H7488	M.1				
28G133	A.1		3H2962	C.1		7H5038	N.3		7H7489	M.1				
28G134	F.2		3H2962	N.8		7H5039	N.3		7H7520	K.3				
28G139	A.1		3H2962	N.9		7H5040	N.3		7H7553	A.10				
28G152	F.1		3H3076	N.4		7H5040	N.3		7H7553	K.3				
						7H5041	N.3		7H7847	M.3				
1H998	A.13		7H25	A.10		7H5042	N.3		7H7923	E.1				
1H2181	D.6		7H28	A.10		7H5043	N.3		7H7923	H.3				
1H3101	F.4		7H147	A.10		7H5044	N.3		7H7924	K.3				
1H3364	H.1		7H813	D.2		7H5045	N.3		7H7925	M.1				
1H9047	O.2		7H816	D.2		7H5046	N.3		7H7925	H.3				
1H9049	O.2		7H1379	N.14		7H5047	N.3		7H7928	H.3				
			7H1381	N.15		7H5049	N.3		7H7928	K.3				
2H400	M.3		7H1382	N.14		7H5048	N.3		7H7928	K.3				
2H1082	D.1		7H1384	N.15		7H5048	N.3		7H7939	H.3				
2H2617	N.14					7H5049	N.3		7H7939	K.3				
2H2617	N.15					7H5050	N.3		7H7940	H.3				
2H2704	N.14					7H5051	N.3		7H7941	K.3				
2H2704	N.15					7H5066	N.5		7H7942	K.3				
						7H5067	N.5		7H7943	K.3				
						7H5071	N.2		7H7949	K.3				
						7H5128	N.11		7H7950	K.3				

**THE M.G. MIDGET**

**PART NUMBER INDEX**

Part Number	Page	Amdt. Number	Part Number	Page	Amdt. Number	Part Number	Page	Amdt. Number	Part Number	Page	Amdt. Number	Part Number	Page	Amdt. Number
11H127	D.6		17H1169	A.10		17H3745	O.2		17H7554	M.1		17H108	R.32	
12H152	A.7		17H1172	A.10		17H3818	G.1		17H7571	M.1		27H387	O.1	
12H155	A.7		17H1173	A.10		17H3819	G.1		17H7576	K.3		27H972	O.1	
			17H1304	O.2		17H3894	G.1		17H7612	H.4		27H1170	D.2	
			17H1304	O.3		17H5143	N.6		17H7613	H.4		27H1198	R.33	
			17H1341	O.2		17H5143	N.7		17H7618	H.3		27H1988	A.10	
			17H1341	O.3		17H5143	N.8		17H7619	H.3		27H3101	E.1	
			17H1344	O.3		17H5143	N.9		17H7622	H.4		27H3275	E.1	
			17H1455	R.32		17H5147	N.6		17H7623	H.3		27H3276	E.1	
			17H1496	O.2		17H5147	N.8		17H7626	H.3		27H5253	N.8	
			17H1497	O.3		17H5147	N.9		17H7629	M.1		27H5354	N.6	
			17H1498	R.32		17H5205	N.8		17H7707	H.3		27H5354	N.7	
			17H1499	O.3		17H5205	N.9		17H7739	H.3		27H5354	N.8	
			17H1574	R.32		17H5214	N.7		17H7766	H.3		27H5354	N.9	
			17H1590	R.31		17H5216	N.10		17H7841	H.3		27H5374	N.13	
			17H1591	R.31		17H5217	N.2		17H7868	E.1		27H5420	N.1	
			17H1592	R.31		17H5231	N.7		17H7921	K.4		27H5504	O.1	
			17H1593	R.31		17H5231	N.8		17H7947	H.3		27H5565	O.1	
			17H1594	R.31		17H5231	N.9		17H7948	H.3		27H5568	N.12	
			17H1595	R.31		17H5231	N.13		17H7958	H.3		27H5570	N.12	
			17H1596	R.32		17H5255	N.7		17H7959	K.3		27H5596	O.1	
			17H1597	R.32		17H5273	N.7		17H7960	K.3		27H5597	O.1	
			17H1601	R.31		17H5277	N.7		17H7961	K.3				
			17H1601	R.33		17H5375	N.9		17H7962	K.3				
			17H1602	R.31		17H5394	N.8		17H7963	K.4				
			17H1603	R.31		17H5394	N.9		17H7981	M.1				
			17H1603	R.33		17H5396	N.13		17H7984	M.1				
			17H1604	R.33		17H5400	N.11		17H9510	R.11				
			17H1605	R.33		17H5401	N.11		17H9525	D.1				
			17H1606	R.33		17H5425	N.10							
			17H1607	R.33		17H5431	N.13							
			17H1608	R.33		17H5433	N.2							
			17H1609	R.33		17H5441	N.13							
			17H1642	O.1		17H5444	N.3							
			17H1658	O.2		17H5512	N.13							
			17H1669	O.2		17H5543	N.9							
			17H1678	O.3		17H5546	N.9							
			17H1679	O.3		17H6427	A.9							
			17H1962	A.9		17H6540	J.3							
			17H1964	A.9		17H6541	J.3							
			17H1965	A.9		17H6552	J.3							
			17H2074	N.12		17H7108	M.3							
			17H2091	M.4		17H7109	M.1							
			17H2093	M.4		17H7122	M.1							
			17H2095	M.4		17H7123	M.1							
			17H2460	K.4		17H7203	H.3							
			17H2461	K.4		17H7268	E.1							
			17H2670	R.9		17H7408	M.1							
			17H2671	R.9		17H7480	M.1							
			17H2824	H.4		17H7511	H.3							
			17H2825	H.4		17H7515	H.3							
			17H2826	H.3		17H7531	M.3							
			17H2827	H.3		17H7539	E.1							
			17H3687	M.1		17H7540	E.1							
			17H3721	A.10		17H7541	E.1							
			17H3723	M.1		17H7543	K.3							
			17H3744	O.3		17H7544	K.3							

THE M.G. MIDGET

PART NUMBER INDEX

Part Number	Page	Amdt. Number	Part Number	Page	Amdt. Number	Part Number	Page	Amdt. Number	Part Number	Page	Amdt. Number	Part Number	Page	Amdt. Number
27H7395	H.3		37H9984	R.18		57H5355	N.10		HBZ0624	M.2		HBZ0624	M.2	
27H9623	R.9		37H9984	R.25		57H5356	N.10		HBZ0626	A.16		HBZ0626	A.16	
27H9625	R.9					57H5357	N.10		HBZ0626	H.5		HBZ0626	H.5	
27H9655	R.9		47H5100	N.3		57H5358	N.10		HBZ0630	M.2		HBZ0630	M.2	
27H9657	R.9		47H5124	N.8		57H5359	N.10		HBZ0732	L.1		HBZ0732	L.1	
27H9781	R.34		47H5125	N.8		57H5368	N.11							
27H9782	R.34		47H5125	N.9		57H5382	N.6							
27H9863	R.34		47H5126	N.6		57H5410	N.12							
			47H5126	N.7		57H5411	N.12		HCS168	R.32		HCS168	R.32	
37H151	R.33		47H5126	N.8		57H5420	B.1		HCS168	R.33				
37H436	A.10		47H5126	N.9		57H5423	B.1							
37H537	R.31		47H5212	N.5		57H5443	N.14		HCZ0512	J.2		HCZ0512	J.2	
37H613	O.2		47H5315	N.13		57H5445	N.14		HCZ0628	A.10		HCZ0628	A.10	
37H678	O.1		47H5316	N.13		57H5456	N.6		HCZ0630	A.10				
37H689	A.10		47H5389	N.13		57H5457	N.7							
37H690	A.10		47H5340	N.2		57H5457	N.8		HNS0404	A.9		HNS0404	A.9	
37H732	D.7		47H5341	N.3		57H5457	N.9		HNS0406	A.4		HNS0406	A.4	
37H5169	N.13		47H5342	N.3		57H5477	B.1		HNS0505	K.3				
37H5181	N.14		47H5346	N.2		57H5478	B.1							
37H5181	O.1		47H5346	N.2		57H5555	N.13		HPS0507	R.12		HPS0507	R.12	
37H5190	N.6		47H5389	N.1		57H5555	N.13		HPS0507	R.13				
37H5190	N.7		47H5419	N.14		57H5559	N.13							
37H5190	N.8		47H5496	N.14		57H5591	N.4							
37H5190	N.9		47H5496	N.15					HZS0403	A.7		HZS0403	A.7	
37H5207	N.1		47H5499	N.14		67H5024	N.6		HZS0404	A.18		HZS0404	A.18	
37H5271	N.6		47H5528	N.9		67H5024	N.7		HZS0404	F.4		HZS0404	F.4	
37H5271	N.7		47H5554	N.7		67H5025	N.6		HZS0404	R.4		HZS0404	R.4	
37H5271	N.8		47H5589	N.5		67H5026	N.7		HZS0404	R.5		HZS0404	R.5	
37H5271	N.9		47H9510	R.34		67H5026	N.6		HZS0405	R.9		HZS0405	R.9	
37H5294	N.10		47H9579	R.34		67H5028	N.7		HZS0405	A.9		HZS0405	A.9	
37H5452	N.5					67H5028	N.8		HZS0405	B.2		HZS0405	B.2	
37H5452	N.10		57H5009	N.7		67H5028	N.9		HZS0405	F.4		HZS0405	F.4	
37H5459	N.10		57H5084	N.2		67H5029	N.7		HZS0405	M.2		HZS0405	M.2	
37H5525	N.10		57H5085	N.2					HZS0405	O.1		HZS0405	O.1	
37H9708	R.9		57H5128	N.11		97H222	L.1		HZS0405	R.3		HZS0405	R.3	
37H9715	R.9		57H5155	N.10		97H626	N.1		HZS0405	R.4		HZS0405	R.4	
37H9719	R.9		57H5156	N.10		97H2071	N.4		HZS0405	R.5		HZS0405	R.5	
37H9729	R.9		57H5157	N.10		97H2072	N.4		HZS0405	R.6		HZS0405	R.6	
37H9730	R.9		57H5158	N.10		97H2073	N.4		HZS0406	A.4		HZS0406	A.4	
37H9797	R.10		57H5159	N.10		97H2679	R.9		HZS0406	A.12		HZS0406	A.12	
37H9871	R.14		57H5206	N.14			J.3		HZS0406	C.1		HZS0406	C.1	
37H9915	R.34		57H5292	N.6		HBN0411	A.9		HZS0406	R.1		HZS0406	R.1	
37H9917	R.34		57H5292	N.7		HBN0414	A.9		HZS0407	R.31		HZS0407	R.31	
37H9946	R.32		57H5294	N.13					HZS0407	A.17		HZS0407	A.17	
37H9952	R.18		57H5306	N.10		HBZ0408	J.3		HZS0407	A.18		HZS0407	A.18	
37H9952	R.25		57H5307	N.10		HBZ0408	M.3		HZS0408	F.4		HZS0408	F.4	
37H9953	R.18		57H5307	N.11		HBZ0410	M.3		HZS0408	E.2		HZS0408	E.2	
37H9953	R.18		57H5308	N.10		HBZ0510	G.1		HZS0408	M.1		HZS0408	M.1	
37H9954	R.18		57H5309	N.12		HBZ0513	A.13		HZS0408	M.2		HZS0408	M.2	
37H9967	R.18		57H5310	N.12		HBZ0515	A.7		HZS0408	R.9		HZS0408	R.9	
37H9970	R.34		57H5388	N.1		HBZ0524	R.3		HZS0409	R.30		HZS0409	R.30	
37H9971	R.34		57H5340	N.1		HBZ0524	D.7		HZS0409	K.3		HZS0409	K.3	
37H9971	R.34		57H5341	N.2		HBZ0536	N.15		HZS0409	N.15		HZS0409	N.15	
37H9972	R.34		57H5344	N.14		HBZ0611	D.7		HZS0409	N.15		HZS0409	N.15	
37H9973	R.34		57H5355	N.6		HBZ0612	L.1		HZS0409	A.2		HZS0409	A.2	
37H9974	R.34		57H5355	N.6		HBZ0613	L.1		HZS0409	A.7		HZS0409	A.7	
			57H5355	N.10		HBZ0618	N.3		HZS0409	A.16		HZS0409	A.16	
			57H5354	N.10		HBZ0624	H.5		HZS0409	M.4		HZS0409	M.4	

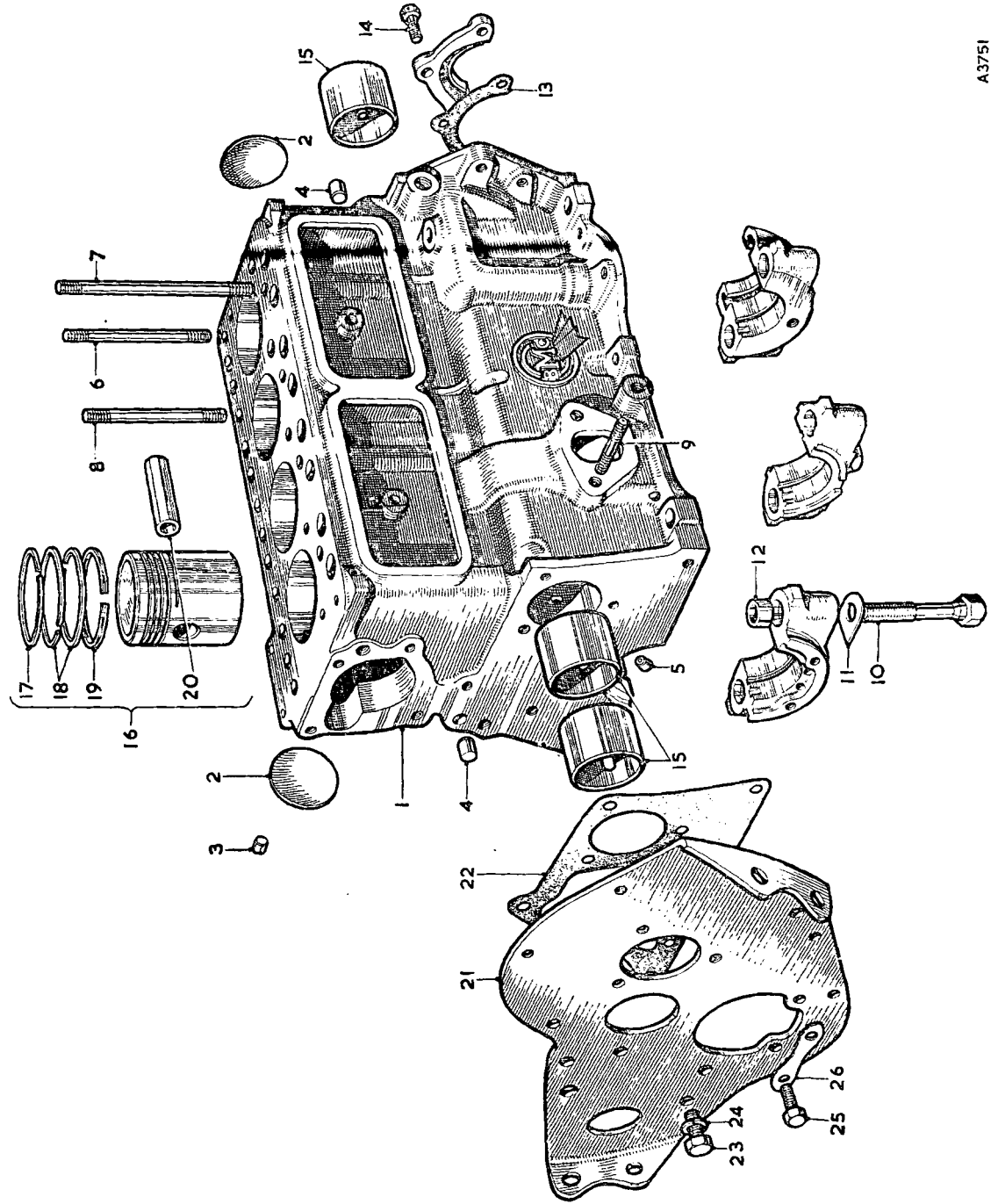
Part Number	Page	Amdt. Number	Part Number	Page	Amdt. Number	Part Number	Page	Amdt. Number	Part Number	Page	Amdt. Number	Part Number	Page	Amdt. Number	Part Number	Page	Amdt. Number
HZ50505	R.6		2K6080	M.4		51K254	A.1		LNZ104	J.3		LWN204	A.7		51K255	A.1	
HZ50506	A.16		2K7440	A.7		51K256	A.1		LNZ105	A.17		LWN204	A.12		51K328	K.2	
HZ50506	A.17		2K7778	H.1		51K328	A.1		LNZ105	G.1		LWN204	A.12		51K371	R.3	
HZ50506	H.3		2K7779	H.1		51K398	K.2		LNZ105	K.5		LWN205	F.3		51K885	R.3	
HZ50506	J.2		2K7816	A.4		51K398	A.6		LNZ105	K.5		LWN205	D.2		51K886	K.5	
HZ50506	M.4		2K8158	F.4		51K371	A.5		LNZ106	J.1		LWN206	A.6		51K886	H.1	
HZ50506	R.15		2K8159	A.15		51K885	A.5		LNZ106	L.1		LWN206	A.6		51K886	H.1	
HZ50506	R.34		2K8160	A.1		51K1368	K.3		LNZ108	H.5		LWN206	R.34		51K1368	H.5	
HZ50507	A.18		2K8568	A.6		51K1382	A.3		LNZ204	N.11		LWN206	A.13		51K1382	N.11	
HZ50507	A.17		2K8623	A.1		51K1473	A.5		LNZ205	A.13		LWN206	A.13		51K1473	A.5	
HZ50508	A.17		2K8645	N.1		51K1769	K.1		LNZ205	A.17		LWN206	A.13		51K1769	A.17	
HZ50508	J.2		2K8645	N.15		51K2086	E.1		LNZ205	D.7		LWN206	A.13		51K2086	D.7	
HZ50509	A.18		2K8737	F.3		51K2824	O.2		LNZ205	G.1		LWN206	A.13		51K2824	G.1	
HZ50500	F.5		2K8738	F.3		51K3424	K.1		LNZ205	K.5		LWN206	A.13		51K3424	K.5	
HZ50510	A.12		2K8789	F.3					LNZ205	R.7		LWN206	A.13				
HZ50515	A.12		4K9670	R.10		53K152	E.1		LNZ205	R.34		LWN206	A.13		53K152	R.34	
HZ50518	A.18		4K9671	R.10		53K402	A.5		LNZ206	R.34		LWN206	A.13		53K402	R.34	
HZ50605	N.15					53K463	F.1		LNZ206	A.13		LWN206	A.13		53K463	A.13	
HZ50606	R.14					53K487	A.5		LNZ206	L.1		LWN206	A.13		53K487	L.1	
HZ50608	R.14					53K525	A.1		LNZ206	L.1		LWN206	A.13		53K525	L.1	
HZ50610	L.1		6K35	D.1		53K528	F.4		LNZ206	L.1		LWN206	A.13		53K528	F.4	
1K52	A.7		6K35	M.3		53K528	F.4		LNZ206	L.1		LWN206	A.13		53K528	F.4	
1K1977	O.3		6K464	H.1		53K580	A.5		LNZ206	L.1		LWN206	A.13		53K580	A.5	
2K1345	A.1		6K490	H.1		53K585	F.4		LNZ206	L.1		LWN206	A.13		53K585	F.4	
2K4608	A.5		6K555	A.5		53K1013	J.3		LNZ206	L.1		LWN206	A.13		53K1013	J.3	
2K4936	R.11		6K556	F.1		53K1016	R.31		LNZ206	L.1		LWN206	A.13		53K1016	R.31	
2K4954	A.7		6K558	F.2		53K1016	R.33		LNZ206	L.1		LWN206	A.13		53K1016	R.33	
2K4956	A.9		6K559	F.1		53K1028	A.1		LNZ206	L.1		LWN206	A.13		53K1028	A.1	
2K4956	F.1		6K559	F.3		53K1364	K.5		LNZ206	L.1		LWN206	A.13		53K1364	K.5	
2K4958	A.7		6K584	H.2		53K1368	K.5		LNZ206	L.1		LWN206	A.13		53K1368	K.5	
2K4958	F.3		6K628	A.3		53K1370	K.1		LNZ206	L.1		LWN206	A.13		53K1370	K.1	
2K4974	A.12		6K629	A.4		53K1389	K.5		LNZ206	L.1		LWN206	A.13		53K1389	K.5	
2K4975	A.7		6K630	A.4		53K1420	R.6		LNZ206	L.1		LWN206	A.13		53K1420	R.6	
2K4982	A.9		6K631	H.1		53K1433	A.12		LNZ206	L.1		LWN206	A.13		53K1433	A.12	
2K4994	A.9		6K638	A.8		53K1435	F.3		LNZ206	L.1		LWN206	A.13		53K1435	F.3	
2K5197	A.7		6K639	A.8		53K2016	A.2		LNZ206	L.1		LWN206	A.13		53K2016	A.2	
2K5197	A.8		6K680	E.1		53K2599	J.3		LNZ206	L.1		LWN206	A.13		53K2599	J.3	
2K5201	M.4		6K680	D.1		53K3427	R.12		LNZ206	L.1		LWN206	A.13		53K3427	R.12	
2K5319	A.18		6K685	K.1		53K3427	R.13		LNZ206	L.1		LWN206	A.13		53K3427	R.13	
2K5319	A.16		6K689	D.1		KMP0835	R.28		LNZ206	L.1		LWN206	A.13		KMP0835	R.28	
2K5319	E.1		6K690	M.4		5L64	N.15		LNZ206	L.1		LWN206	A.13		5L64	N.15	
2K5319	F.3		6K808	A.5		5L285	N.14		LNZ206	L.1		LWN206	A.13		5L285	N.14	
2K5319	F.5		6K831	A.2		5L286	N.14		LNZ206	L.1		LWN206	A.13		5L286	N.14	
2K5319	K.1		6K836	A.3		5L286	N.15		LNZ206	L.1		LWN206	A.13		5L286	N.15	
2K5629	R.31		6K853	A.9		5L287	N.14		LNZ206	L.1		LWN206	A.13		5L287	N.14	
2K5806	A.17		6K870	M.4		5L289	N.14		LNZ206	L.1		LWN206	A.13		5L289	N.14	
2K5813	F.3		6K878	A.5		LFP116	R.11		LNZ206	L.1		LWN206	A.13		LFP116	R.11	
2K5820	M.4		6K927	A.1		LFP116	R.30		LNZ206	L.1		LWN206	A.13		LFP116	R.30	
2K5880	F.1		6K988	N.12		LFS100	R.10		LNZ206	L.1		LWN206	A.13		LFS100	R.10	
2K6124	H.1		11K399	A.6		LFS100	R.11		LNZ206	L.1		LWN206	A.13		LFS100	R.11	
2K6167	N.15		11K5564	R.10		LFS107	R.10		LNZ206	L.1		LWN206	A.13		LFS107	R.10	
2K6677	F.1		24K2085	R.32		LFS107	R.11		LNZ206	L.1		LWN206	A.13		LFS107	R.11	
2K6677	F.3								LNZ206	L.1		LWN206	A.13				

Part Number	Page	Amdt. Number	Part Number	Page	Amdt. Number	Part Number	Page	Amdt. Number	Part Number	Page	Amdt. Number	Part Number	Page	Amdt. Number
LWZ203	O.2		LWZ205	R.23		PCR0409	R.9		PTZ803	F.5		PWN105	A.15	
LWZ203	R.2		LWZ205	R.35		PCR0411	D.1		PTZ806	R.30		PWN106	A.6	
LWZ203	R.3		LWZ206	A.10		PCR0607	N.14					PWN106	A.13	
LWZ203	R.4		LWZ206	A.16		PCR0709	N.15					PWN106	A.16	
LWZ203	R.5		LWZ206	D.6		PCR0709	O.2					PWN107	H.1	
LWZ203	R.6		LWZ206	L.1		PCR0709	R.18							
LWZ203	R.7		LWZ206	M.2		PCR1009	N.14							
LWZ203	R.8		LWZ206	R.4		PFS103	R.6							
LWZ203	R.9		LWZ206	R.14		PFS308	C.1							
LWZ203	R.10		LWZ206	R.14		PJZ804	C.1							
LWZ203	R.11		LWZ212	H.2		PMN0408	R.7							
LWZ203	R.16		LWZ304	C.1										
LWZ203	R.22		LWZ304	F.3										
LWZ203	R.32		LWZ304	F.4										
LWZ204	A.15		LWZ304	M.2										
LWZ204	A.17		LWZ305	A.2										
LWZ204	A.18		LWZ305	A.7										
LWZ204	B.2		LWZ305	A.13										
LWZ204	C.2		LWZ305	A.16										
LWZ204	F.4		LWZ305	A.16										
LWZ204	F.5		LWZ305	E.1										
LWZ204	J.1		LWZ305	F.4										
LWZ204	J.3		LWZ305	G.1										
LWZ204	M.3		LWZ305	H.1										
LWZ204	N.1		LWZ305	H.3										
LWZ204	N.1		LWZ305	K.1										
LWZ204	N.4		LWZ305	K.1										
LWZ204	N.12		LWZ305	M.4										
LWZ204	O.1		LWZ306	N.15										
LWZ204	O.2		LWZ306	A.13										
LWZ204	R.1		LWZ306	A.16										
LWZ204	R.3		LWZ306	H.5										
LWZ204	R.4		LWZ306	K.5										
LWZ204	R.5		LWZ306	L.1										
LWZ204	R.6		LWZ306	L.1										
LWZ204	R.9		LWZ306	N.15										
LWZ204	R.12		LWZ307	H.5										
LWZ204	R.13		LWZ307	K.4										
LWZ204	R.15		LWZ307	L.1										
LWZ204	R.30		LWZ402	O.3										
LWZ204	R.31		LWZ404	M.1										
LWZ204	R.32		LWZ405	R.7										
LWZ205	A.6		LWZ406	K.3										
LWZ205	A.7		LWZ503	M.4										
LWZ205	A.16		LWZ503	R.21										
LWZ205	A.17		LWZ503	R.22										
LWZ205	D.7		LWZ504	R.27										
LWZ205	E.2		LWZ505	R.7										
LWZ205	F.5		MPS4304	K.3										
LWZ205	J.2			M.4										
LWZ205	M.4		NCS0608	A.11										
LWZ205	N.4													
LWZ205	R.6		PCR0207	O.2										
LWZ205	R.9		PCR0307	O.2										
LWZ205	R.12		PCR0807	R.3										
LWZ205	R.13		PCR0311	M.3										
LWZ205	R.15		PCR0407	R.9										

**THE M.G. MIDGET**

**PART NUMBER INDEX**

Part Number	Page	Amdt. Number	Part Number	Page	Amdt. Number	Part Number	Page	Amdt. Number	Part Number	Page	Amdt. Number	Part Number	Page	Amdt. Number
PWZ203	R.22		RTZ606	R.25										
PWZ203	R.25		RTZ608	R.17										
PWZ203	R.27													
PWZ204	B.2		TCN206	A.11										
PWZ204	C.1													
PWZ204	R.31		TFP1006	R.11										
PWZ204	R.32													
PWZ204	A.17		TFS106	R.10										
PWZ205	D.7		TFS106	R.11										
PWZ205	N.4		TRS0710	F.4										
PWZ205	R.9													
PWZ205	R.29		UHN105	M.4										
PWZ205	R.34		UHN305	J.2										
PWZ206	L.1		UHN400	K.1										
PWZ206	R.14		UHN445	K.1										
			UHN490	M.4										
REN103	R.4													
REN110	N.14		WKN404	F.5										
REN204	C.2		WKN505	A.4										
REN206	R.35													
REN210	R.35		ZCS0404	A.15										
REN214	R.35		ZCS0506	A.16										
REN303	A.18													
REN303	N.4		7699	R.17										
REN303	N.14		7700	R.16										
REN305	N.14		7700	R.17										
REN305	O.2		7700	R.18										
REN305	O.3													
REFR110	N.14		37881	E.1										
REFR207	R.35		39781	M.1										
			45223	B.2										
RMP0308	R.34		68643	H.3										
RMP2312	R.24		68643	K.3										
			68648	H.3										
RMZ0310	R.18		128978	R.6										
RMZ0310	R.21		129039	N.4										
RMZ0312	R.8		130383	R.14										
RMZ0312	R.18		135198	R.10										
RMZ0312	R.21		139282	R.3										
RMZ0316	R.21		300826	H.3										
			300826	K.3										
RRS0405	H.5		301020	H.3										
			301540	M.1										
RTP403	R.12		301550	M.1										
RTP403	R.13		301551	M.1										
RTP603	R.11		301622	H.3										
RTP603	R.30		301627	K.3										
RTP604	R.11		301633	H.3										
RTP2604	R.22		301634	H.3										
RTP2604	R.23													
RTZ606	R.23													
RTZ604	R.16													
RTZ604	R.17													
RTZ606	R.17													
RTZ606	R.18													



A3751



**SERVICE PARTS LIST**

**THE M.G. MIDGET**

Item No.	DESCRIPTION	Commencing (E) 9CG-Da-H101		Qty. Per Veh.	MODIFICATIONS		REMARKS
		Part Number	Illus. No.		New Part Number	Change Point	
1	Stripped engine unit	HC		1			
2	Stripped engine unit	LC		1			
3	Half-engine	HC		1			
4	Half-engine	LC		1			
5	Block assembly	HC	1	1			
6	Block assembly	LC		1			
7	Plug—welch			2			
8	Plug—oil release valve passage			4			
9	Plug—oil gallery			3			
10	Restrictor—camshaft bearing oil feed			4			
11	Stud—cylinder head			5			
12	Stud—cylinder head—long			1			
13	Stud—cylinder head—short			7			
14	Stud—fuel pump			4			
15	Cap—main bearing—front			8			
16	Cap—main bearing—centre			4			
17	Cap—main bearing—rear			5			
18	Set screw—main bearing cap			1			
19	Washer—lock—set screw			10			
20	Dowel—main bearing cap			11			
21	Cover—crankcase—rear			12			
22	Joint—rear cover			1			
23	Set screw—rear cover			13			
24	Liner—camshaft bearing			14			
25	Piston assembly (standard)			15			
26	Piston assembly (.010" [.254 mm.] O/S)			16			
27	Piston assembly (.020" [.508 mm.] O/S)			4			
28	Piston assembly (.030" [.762 mm.] O/S)			4			
29	Piston assembly (.040" [1.016 mm.] O/S)			4			
30	Piston assembly (standard)			4			
31	Piston assembly (.010" [.254 mm.] O/S)			4			
32	Piston assembly (.020" [.508 mm.] O/S)			4			
33	Piston assembly (.030" [.762 mm.] O/S)			4			
34	Piston assembly (.040" [1.016 mm.] O/S)			4			
35	Ring—compression—plain (standard)			17			
36	Ring—compression—plain (.010" [.254 mm.] O/S)			4			
37	Ring—compression—plain (.020" [.508 mm.] O/S)			4			
38	Ring—compression—plain (.030" [.762 mm.] O/S)			4			
39	Ring—compression—plain (.040" [1.016 mm.] O/S)			4			

For 1098 c.c. engine components see Power Unit publication AKD3411.

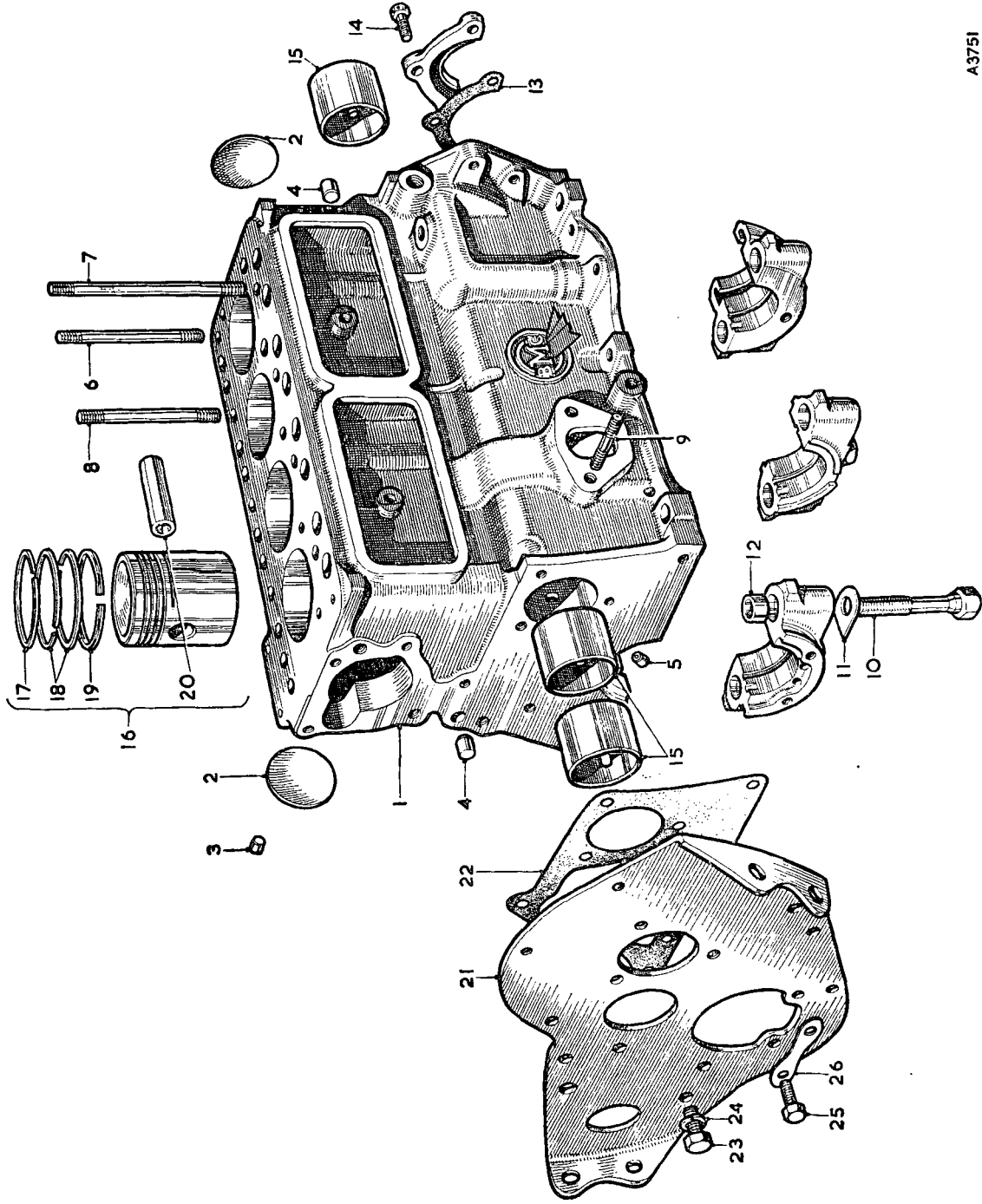
Fin. (E) 9CG-Da-H36711

SERVICE PARTS LIST

THE M.G. MIDGET

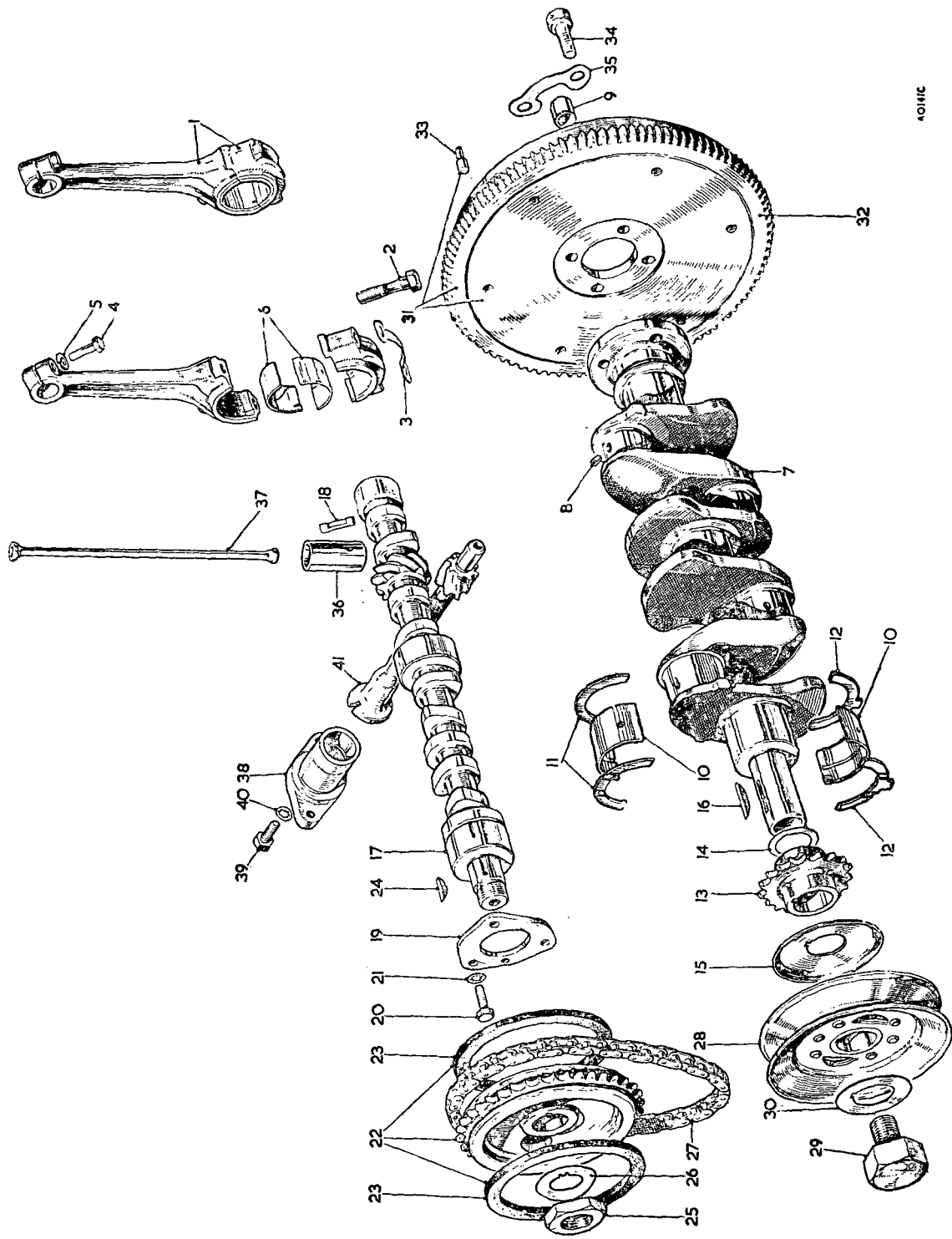
Item No.	DESCRIPTION	Commencing (E) 9CG—Da—H101		Qty. per Veh.	MODIFICATIONS		REMARKS
		Part Number	Illus. No.		New Part Number	Change Point	
1	Engine (9CG)—continued						
2	Engine Unit—continued						
3	Ring—compression—tapered (.010" [.254 mm.] O/S)	12A67	18	8			
4	Ring—compression—tapered (.020" [.508 mm.] O/S)	12A006710		8			
5	Ring—compression—tapered (.030" [.762 mm.] O/S)	12A006720		8			
6	Ring—compression—tapered (.040" [1.016 mm.] O/S)	12A006730		8			
7	Ring—scraper (standard)	12A006740	19	4			
8	Ring—scraper (.010" [.254 mm.] O/S)	12A006810		4			
9	Ring—scraper (.020" [.508 mm.] O/S)	12A006820		4			
10	Ring—scraper (.030" [.762 mm.] O/S)	12A006830		4			
11	Ring—scraper (.040" [1.016 mm.] O/S)	12A006840		4			
	Pin—gudgeon (standard)	2A837	20	4		Fin. (E) 9CG Da—H86711	
	<b>FRONT MOUNTING PLATE</b>						
12	Plate—engine mounting—front	2A125	21	1			
13	Joint—mounting plate to crankcase	2A126	22	1			
14	Screw—mounting plate to crankcase	HZ50505	23	2			
15	Washer—spring—screw	LWZ805	24	2			
16	Screw—mounting plate to bearing cap	53K2016	25	1			
17	Plate—lock—screw	6K831	26	1			

For 1998 c.c. engine components see Power Unit publication AKD3411.



A3751

To face page A.2



40111C

SERVICE PARTS LIST

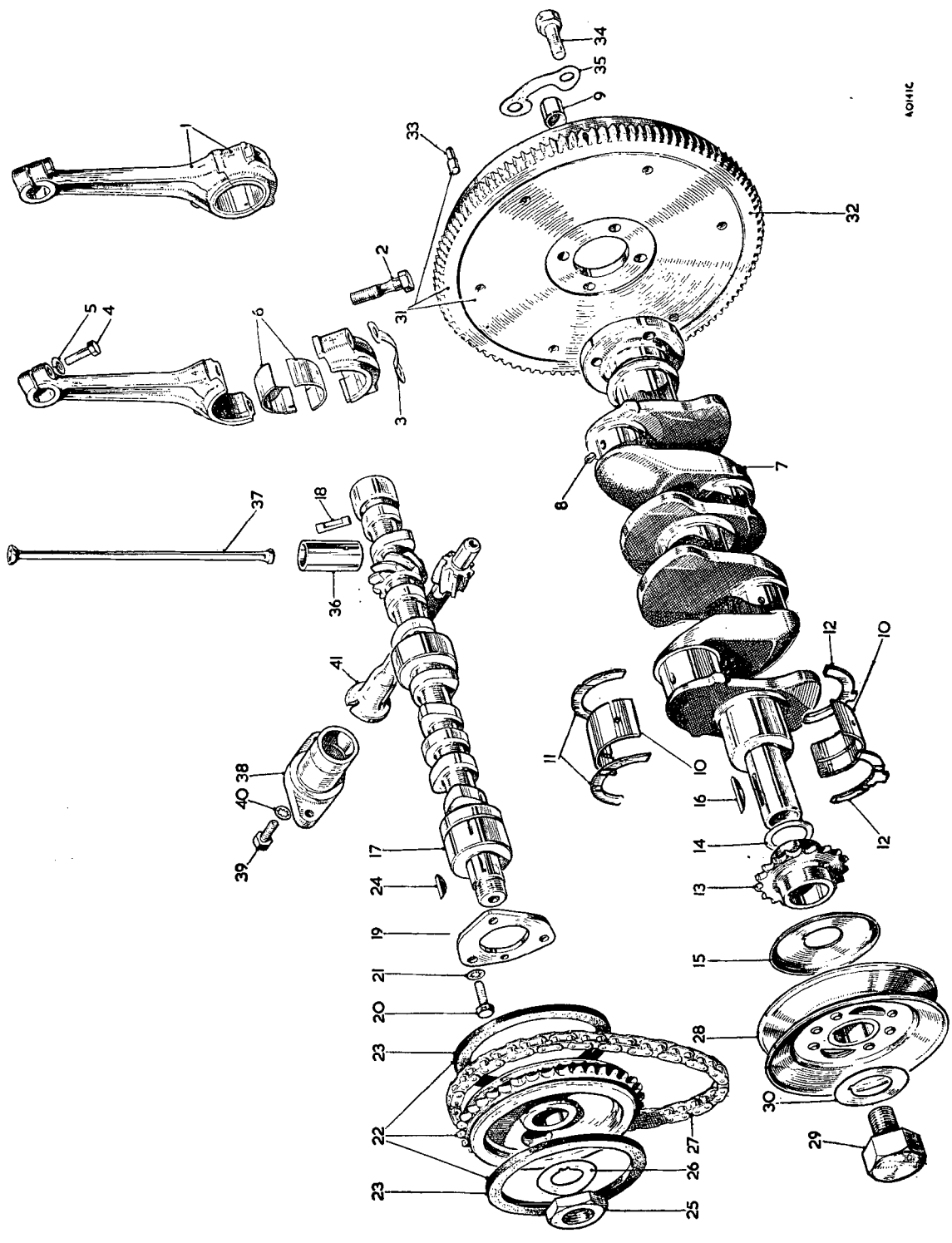
Item No.	DESCRIPTION	Commencing (E) 9CG-Da-H101		Qty. per Veh.	MODIFICATIONS		REMARKS
		Part Number	Illus. No.		New Part Number	Change Point	
1	Engine (9CG)—continued						
2	CONNECTING RODS—BEARINGS						
3	Connecting rod and cap—Nos. 1 and 3 cylinders	2A656	1	2			
4	Connecting rod and cap—Nos. 2 and 4 cylinders	2A654	2	2			
5	Screw—cap	2A659	3	8			
6	Washer—lock—screw	2A660	4	4			
7	Screw—clamping	51K1382	4	4			
8	Washer—spring—screw	LWN305	5	4			
9	Bearing—connecting rod—big-end (standard)	8G2198	6	1 set			
10	Bearing—connecting rod—big-end (.010" [254 mm.] U/S)	8G219810		1 set			
11	Bearing—connecting rod—big-end (.020" [508 mm.] U/S)	8G219820		1 set			
12	Bearing—connecting rod—big-end (.030" [762 mm.] U/S)	8G219830		1 set			
13	Bearing—connecting rod—big-end (.040" [1-016 mm.] U/S)	8G219840		1 set			
14	CRANKSHAFT AND GEAR						
15	Crankshaft (with oil restrictors and bush)	2A828	7	1		Fin. (E) 9CG-Da-H36711	Alternative to 2A830
16	Restrictor—oil	IG1167	8	4			
17	Bush—1st motion shaft	1A1559	9	1			
18	Crankshaft (with bush)	2A830	1	1			Alternative to 2A828
19	Bush—1st motion shaft	1A1559	1	1			
20	Bearing—main (standard)	8G2222	10	1 set			
21	Bearing—main (.010" [254 mm.] U/S)	8G222210		1 set			
22	Bearing—main (.020" [508 mm.] U/S)	8G222220		1 set			
23	Bearing—main (.030" [762 mm.] U/S)	8G222230		1 set			
24	Bearing—main (.040" [1-016 mm.] U/S)	8G222240		1 set			
25	Washer—thrust—upper (standard)	1A1716	11	2			
26	Washer—thrust—upper (.003" [.076 mm.] O/S)	1A171603	12	2			
27	Washer—thrust—lower (standard)	1A1717	13	2			
28	Washer—thrust—lower (.003" [.076 mm.] O/S)	1A171703	14	1			
29	Gear—crankshaft	2A76	15	1		Geom. (E) 9CG-Da-H5093	
30	Washer—packing	6K628	16	1		Fin. (E) 9CG-Da-H36711	
31	Thrower—oil—front	2A1015		1			
32	Key—gear and crankshaft	6K886		1			
33							
34							
35							
36							
37							
38							
39							
40							
41							
42							
43							
44							
45							
46							
47							
48							
49							
50							
51							
52							
53							
54							
55							
56							
57							
58							
59							
60							
61							
62							
63							
64							
65							
66							
67							
68							
69							
70							
71							
72							
73							
74							
75							
76							
77							
78							
79							
80							
81							
82							
83							
84							
85							
86							
87							
88							
89							
90							
91							
92							
93							
94							
95							
96							
97							
98							
99							
100							

For 1098 c.c. engine components see Power Unit publication AKD3411.

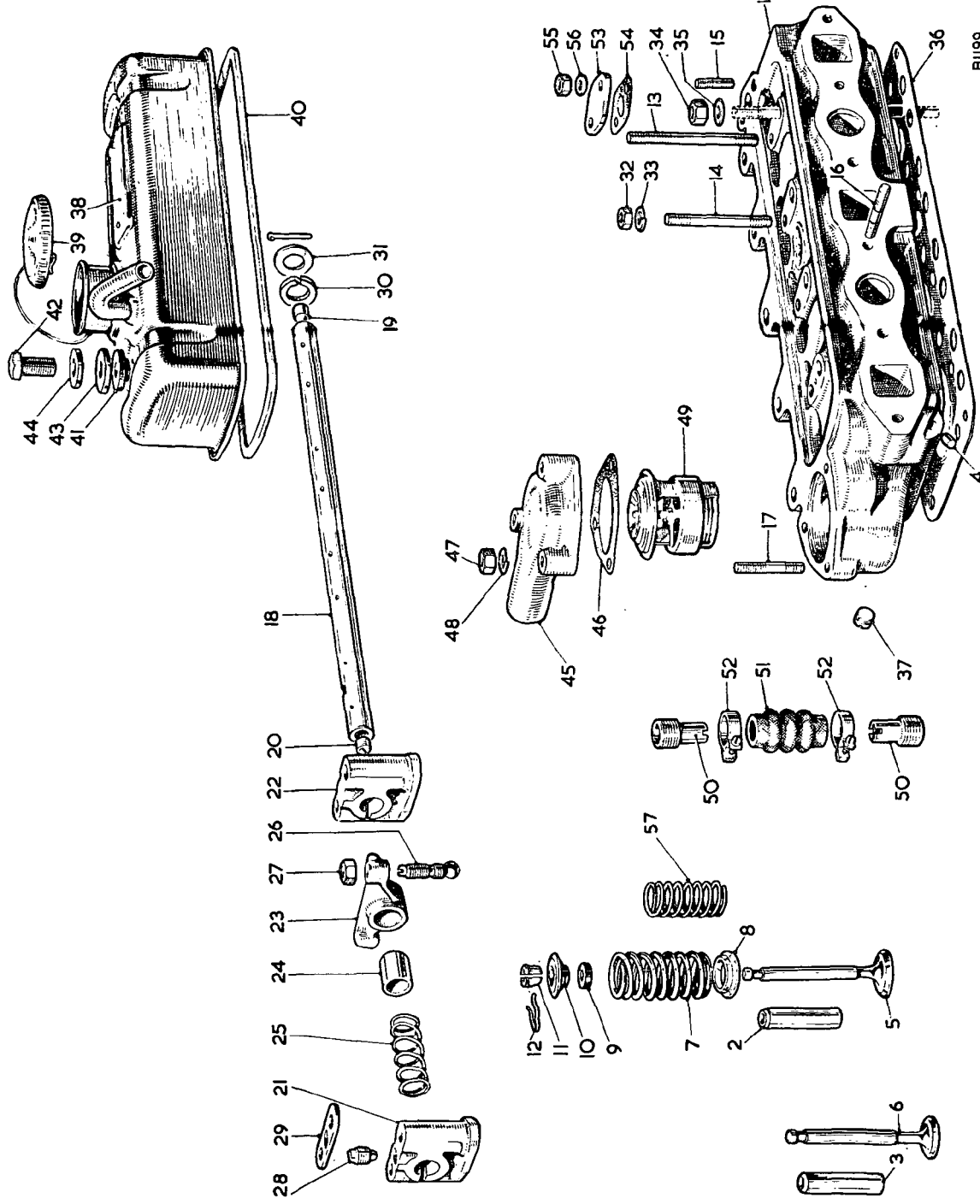
**SERVICE PARTS LIST**

**THE M.G. MIDGET**

Item No.	DESCRIPTION	Commencing (E) 9CG-Da-H101		Qty. per Veh.	MODIFICATIONS		REMARKS
		Part Number	Illus. No.		New Part Number	Change Point	
	<b>Engine (9CG)—continued</b>						
	<b>CAMSHAFT</b>						
1	Camshaft with oil pump driving pin	AE A630	17	1			
2	Pin—oil pump driving	2A290	18	1			
3	Plate—locating	2A84	19	1			
4	Screw—plate to crankcase	HNS0406	20	3			
5	Washer—shakeproof—screw	LWN404	21	3			
6	<b>Gear—camshaft (with tensioner rings)</b>	2A85	22	1			
7	Ring—tensioner	8G549	23	2			
8	Key—gear	WKN505	24	1			
9	Nut—gear	6K629	25	1			
10	Washer—lock—nut	2A759	26	1			
11	Chain—camshaft drive	3H2127	27	1			
	<b>CRANKSHAFT PULLEY</b>						
12	Pulley—crankshaft	2A940	28	1			
13	Bolt—pulley retaining	AFA312	29	1			
14	Washer—lock—bolt	1G1819	30	1			
	<b>FLYWHEEL</b>						
15	Flywheel (with starter ring and dowels)	12A182	31	1			
16	Starter ring	12A183	32	1		Fin. (E) 9CG-Da-H36711	Alternative to AEA594 Alternative to AEA596. Not available; use AEA596
17	Dowel—clutch to flywheel	1G2984	33	2			
18	<b>Flywheel (with starter ring and dowels)</b>	AEA594		1			Alternative to 12A182
19	Starter ring	AEA596		1			Alternative to 12A183
20	Dowel—clutch to flywheel	1G2984		2			
21	Screw—flywheel to crankshaft	6K680	34	4			
22	Washer—lock—screw	2K7816	35	2			
	<b>TAPPETS AND PUSH-RODS</b>						
23	<b>Tappet (standard)</b>	2A13	36	8			
24	Tappet (.010" [.254 mm.] O/S)	2A001810		8			
25	Tappet (.020" [.508 mm.] O/S)	2A001820		8			
26	<b>Push-rod</b>	2A14	37	8			
27	Push-rod	12A180		8			12A189 not available; use 12A250 } Alternatives
	<b>DISTRIBUTOR HOUSING—SPINDLE</b>						
28	Housing—distributor	2A612	38	1			
29	Screw—housing to crankcase	HZ50406	39	1			
30	Washer—shakeproof—screw	LWN404	40	1			
31	<b>Spindle—distributor driving</b>	2A139	41	1			
32	Spindle—distributor driving	2A847		1			Alternatives
For 1098 c.c. engine components see Power Unit publication AKD3411.							



40H1C



B1199



**SERVICE PARTS LIST**

**THE M.G. MIDGET**

Item No.	DESCRIPTION	Commencing (E) 9CG-Da-H101		Qty. per Veh.	MODIFICATIONS		REMARKS
		Part Number	Illus. No.		New Part Number	Change Point	
1	Engine (9CG)—continued						
2	<b>CYLINDER HEAD—VALVES—GUIDES—SPRINGS—ROCKERS</b>						
3	Cylinder head (with valve assembly)	28G132	1	1			
4	Guide—inlet valve	12A184	1	1			
5	Guide—exhaust valve	12A186	2	4		Fin. (E) 9CG-Da-H36711	
6	Plug—oil hole	6K808	4	1			
7	<b>Valve—inlet</b>	AEA574	5	4			
8	<b>Valve—exhaust</b>	AEA434	6	4	AEA400	Com. (E) 9CG-Da-H4523 Fin. (E) 9CG-Da-H36711	AEA434 not available; use AEA400
9	Spring—valve—outer	AEA311	7	8			
10	Spring—valve—inner	AEA401	57	8			
11	Collar—valve spring—top	AEA402	10	8			
12	Cup—valve spring—bottom	AEA403	8	8			
13	King—valve packing (rubber)	2A879	9	8			
14	Cotter—valve	2A11	11	16		Fin. (E) 9CG-Da-H36711	
15	Circle—valve cotter	2A12	12	8			
16	Stud—rocker bracket—long	51K985	13	2			
17	Stud—rocker bracket—short	51K1473	14	2			
18	Stud—cover-plate	53K402	15	2			
19	Stud—inlet and exhaust manifold	53K487	16	6			
20	Stud—water outlet elbow	53K530	17	3			
21	<b>Shaft assembly—valve rocker</b>	2A15	1	1	AEA90	Com. (E) 9CG-Da-H12256, L10996 Fin. (E) 9CG-Da-H36711	
22	<b>Shaft—valve rocker—plugged</b>	2A16	18	1			
23	Plug—valve rocker shaft—plain	6K878	19	1		Fin. (E) 9CG-Da-H36711	
24	Plug—valve rocker shaft—screwed	2K4608	20	1			
25	Bracket—rocker shaft—tapped	2A22	21	1	12A210	Com. (E) 9CG-Da-H12256, L10996	
26	Bracket—rocker shaft—plain	2A23	22	3	12A211	Fin. (E) 9CG-Da-H36711	Alternatives—interchangeable in sets ] only
27	<b>Rocker—valve—bushed</b>	2A533	23	8			
28	Rocker—valve—bushed	2A964	24	8			
29	Bush—valve rocker	2A21	25	8			
30	Spring—rocker spacing	6K556	26	8			
31	Screw—tappet adjusting	2A535	27	8		Fin. (E) 9CG-Da-H36711	
32	Locknut—screw	6K654	28	1			
33	Screw—rocker shaft locating	2A258	29	4			
34	Plate—rocker shaft bracket	2A515	30	2			
35	Washer—spring—rocker shaft	2A18	31	2			
	Washer—plain—rocker shaft	6K555	31	2			

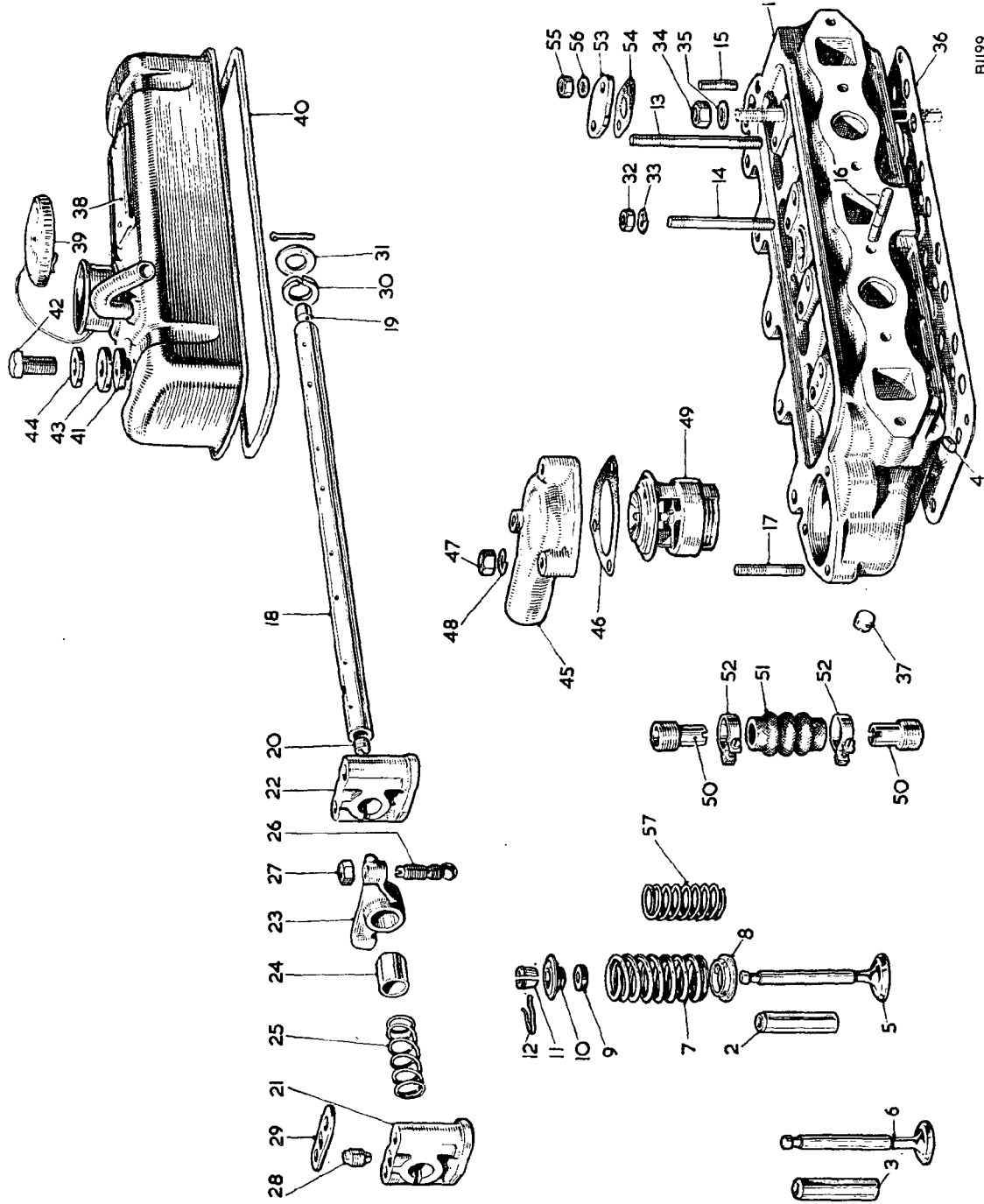
For 1098 c.c. engine components see Power Unit publication AKD3411.

SERVICE PARTS LIST

THE M.G. MIDGET

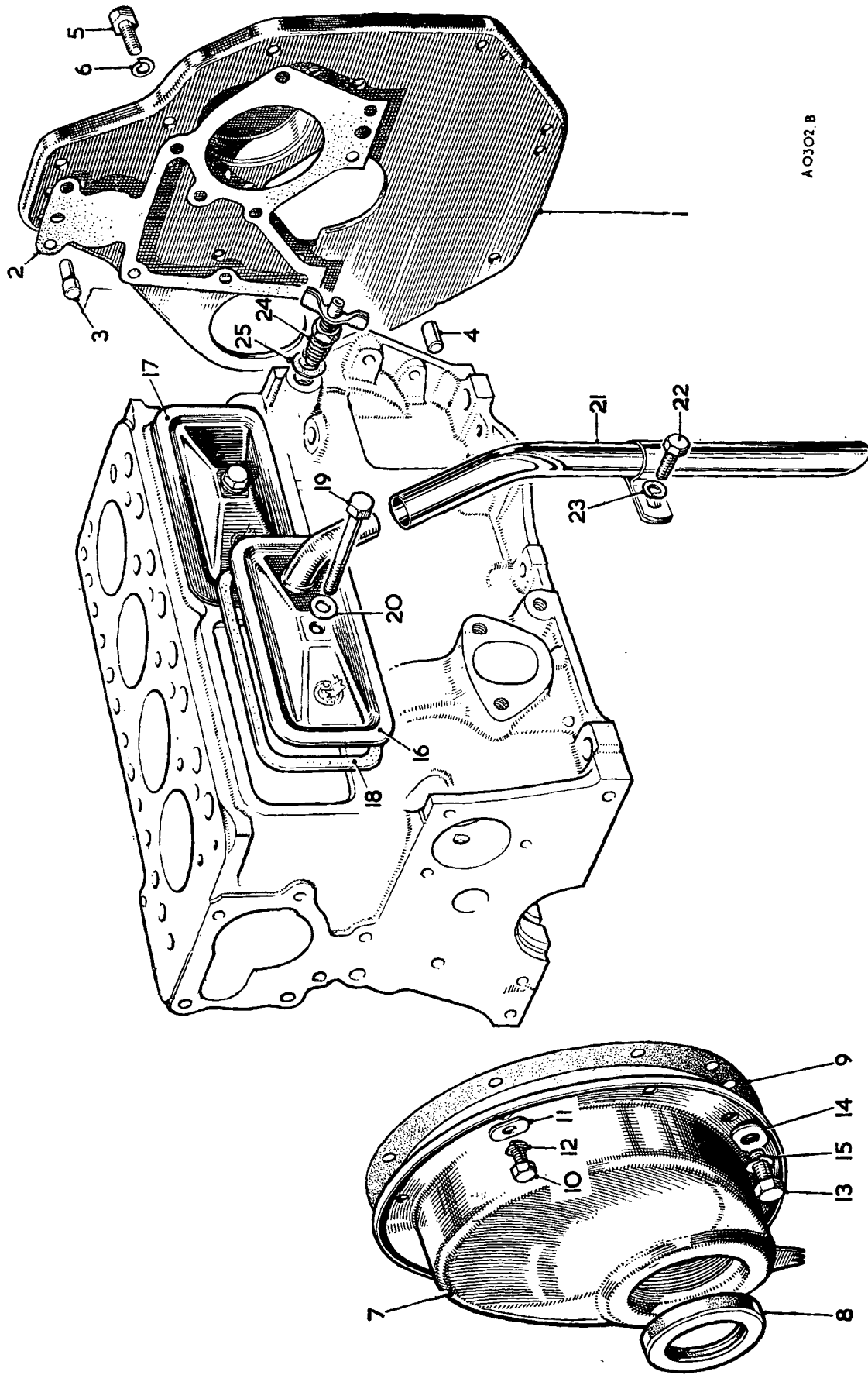
Item No.	DESCRIPTION	Commencing (E) 9CC-Da-H101		Qty. per Veh.	MODIFICATIONS		REMARKS
		Part Number	Illus. No.		New Part Number	Change Point	
1	Engine (9CC)— <i>continued</i>						
2	Cylinder Head—Valves—Guides—Springs—Rocker— <i>continued</i>						
3	Nut—rocker bracket stud	FNN105	32	4			
4	Washer—spring—stud	LWN205	33	4			
5	Nut—cylinder head stud	51K371	34	9			
6	Washer—cylinder head stud	PWN106	35	5			Part No. change; was 2K1204
	Joint—cylinder head	12A190	36	1			
	Plug—thermal indicator boss—screwed	AEC997	37	1			
	<b>VALVE ROCKER COVER—OIL FILTER</b>						
7	Cover—valve rocker	AEA601	38	1			
8	Cap and cable—oil filter	8G612	39	1			
9	Restrictor—rocker cover vent elbow	AEA607	40	1			
10	Joint—cover	12A14	41	1			
11	Bush—cover (rubber)	2K8568	42	2			
12	Nut—cover	2A150	43	2			
13	Distance piece—nut	1B2925	44	2			
14	Washer—cup—nut	1A2150	44	2			Fin. (E) 9CC-Da-H36711
	<b>WATER OUTLET ELBOW—THERMOSTAT—COVER-PLATE</b>						
15	Elbow—water outlet	AEA306	45	1			
16	Joint—elbow to cylinder head	12A29	46	1			
17	Nut—stud—elbow to cylinder head	FNZ105	47	3			
18	Washer—spring—nut	LWZ205	48	3			
19	Thermostat	11K399	49	1			
20	Adaptor—by-pass	2A243	50	1			
21	Connector—by-pass (rubber)	2A242	51	1			
22	Clip—by-pass connector	3H2963	52	2			
23	Plate—cover (heater tap hole in cylinder head)	2A180	53	1			
24	Joint—plate to cylinder head	2A179	54	1			
25	Joint—plate to cylinder head	12A32	54	1			
26	Nut—stud—cover-plate	FNN104	55	2			
27	Washer—spring—nut	LWN304	56	2			
							Alternatives

For 1098 c.c. engine components see Power Unit publication AKD3411.



B1199

To face page A.6



A0302.B

**SERVICE PARTS LIST**

**THE M.G. MIDGET**

Item No.	DESCRIPTION	Commencing (E) 9CG--Da-H101		Qty. per Vch.	MODIFICATIONS		REMARKS	
		Part Number	Illus. No.		New Part Number	Change Point		
	<b>Engine (9CG)—continued</b>							
	<b>REAR MOUNTING PLATE</b>							
1	Plate—engine mounting—rear	2A300	1	1			] Alternatives	
2	Plate—engine mounting—rear	2A569	2	1				
3	Joint—mounting plate to crankcase	2A123	3	1				
4	Dowel—mounting plate—top	1K52	4	1				
5	Dowel—mounting plate—bottom	IG752	5	7				
6	Screw—mounting plate to crankcase	HZS0505	6	7				
7	Washer—spring—screw	LWZ305						
	<b>CYLINDER FRONT AND SIDE COVERS</b>							
8	Cover—front (with oil catcher and seal)	2A937	7	1			] Alternatives	
9	Seal—oil	2A989	8	1				
10	Joint—front cover	1A2093	9	1				
11	Screw—front cover to mounting plate	HZS0408	10	6				
12	Washer—plain—screw	2K5197	11	6				
13	Washer—spring—screw	LWN204	12	6				
14	Screw—front cover to mounting plate and crankcase	HZS0505	13	4				
15	Washer—plain—screw	2K7440	14	4				
16	Washer—spring—screw	LWZ305	15	4				
17	Cover—cylinder side—front (with elbow)	12H155	16	1				
18	Cover—cylinder side—rear	12H152	17	1				
19	Joint—cover	12A24	18	2				
20	Bolt—side cover to cylinder block	HBZ0515	19	2				
21	Washer—bolt	2K4958	20	2				
22	Pipe with clip—crankcase vent	2A118	21	1				
23	Screw—vent pipe clip	HZS0505	22	1				
24	Washer—spring—screw	LWZ205	23	1				
	<b>CYLINDER DRAIN TAP</b>							
25	Tap—drain	3H576	24	1				
26	Washer—drain tap (fibre)	2K4954	25	1				
27	Washer—drain tap (fibre)	2K4975		1				

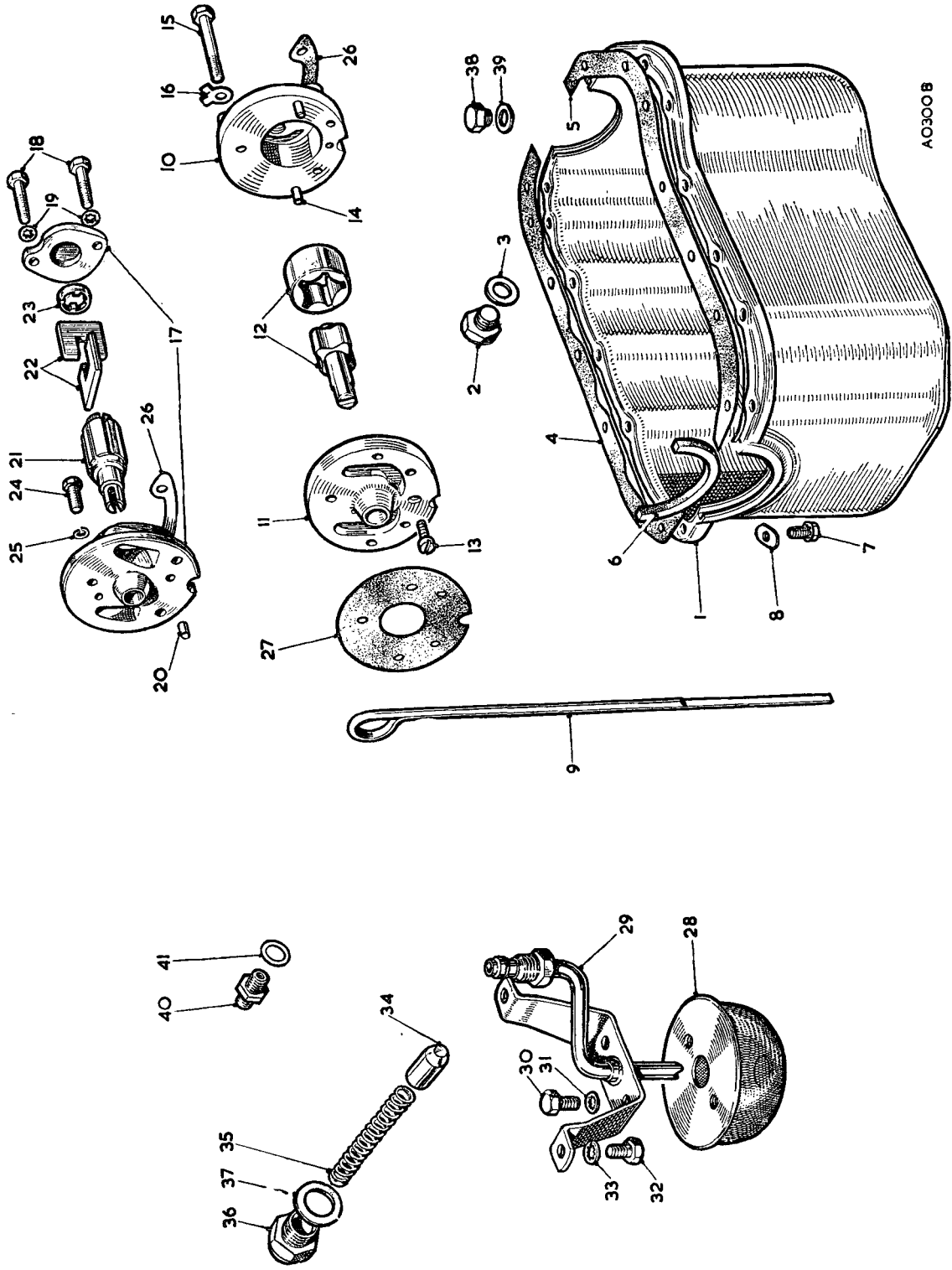
For 1098 c.c. engine components see Power Unit publication AKD3411.

SERVICE PARTS LIST

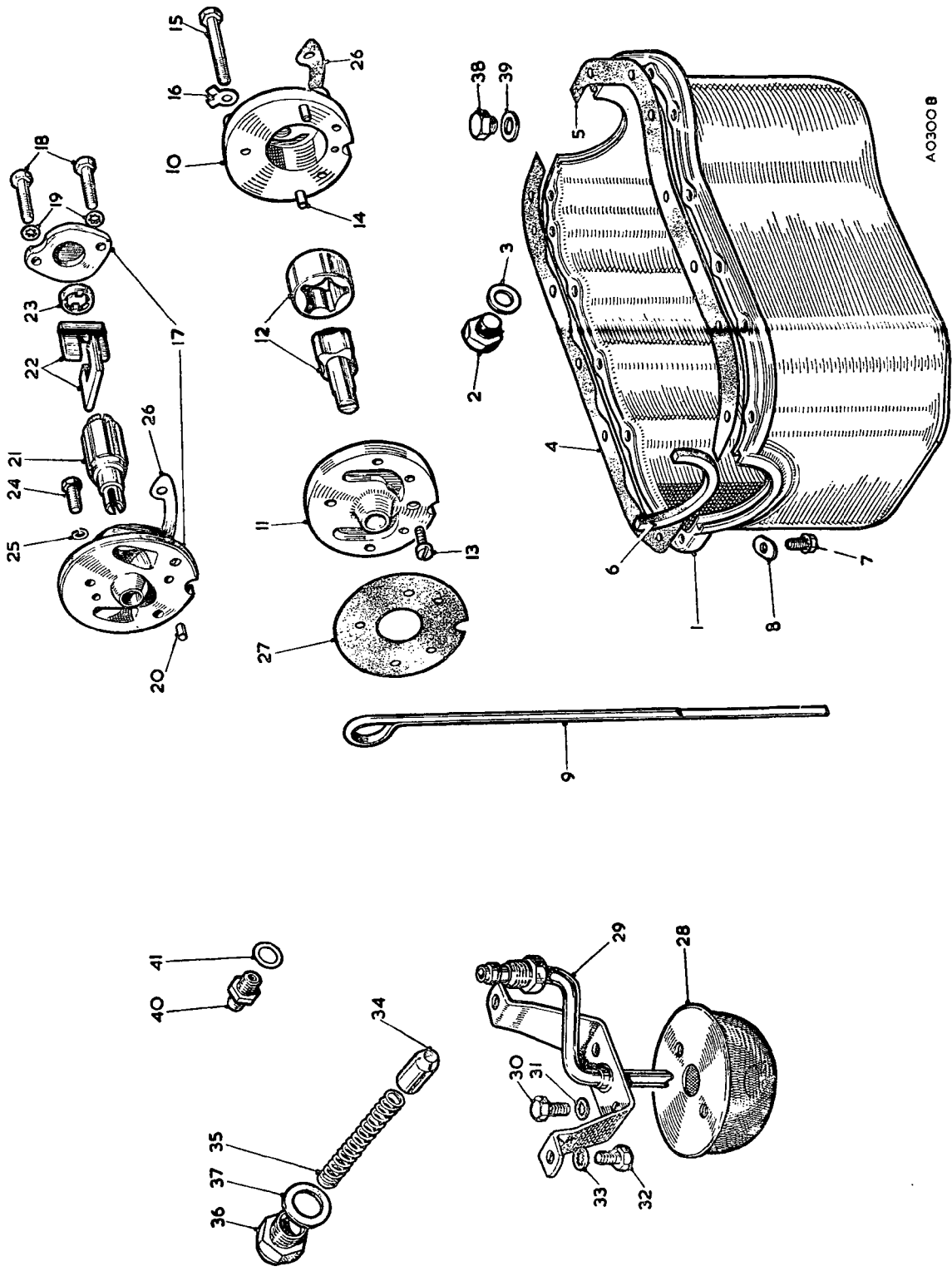
THE M.G. MIDGET

Item No.	DESCRIPTION	Commencing (E) 9CG—Da—H101		Qty. per Veh.	MODIFICATIONS		REMARKS
		Part Number	Illus. No.		New Part Number	Change Point	
1	Engine (9CG)— <i>continued</i>						
2	Sump—oil	2A704	1	1			
3	Plug—drain—sump	2FA249	2	1			
4	Plug—drain—sump	2A380	3	1			Alternatives
5	Washer—drain plug (copper)	6K638	4	1			
6	Joint—sump to crankcase—RH	12A20	5	1			
7	Joint—sump to crankcase—LH	12A19	6	1		Fin. (E) 9CG—Da—H36711	Not available; use 8G716
8	Seal—oil—main bearing cap	2A280	7	2			
9	Screw with captive washer	6K689	8	14			
10	Washer—screw	2K5197	9	14			
11	Rod—dipper	2A294		1			

For 1098 c.c. engine components see Power Unit publication AKD3411.



A0300B



A0300 B



**SERVICE PARTS LIST**

**THE M.G. MIDGET**

Item No.	DESCRIPTION	Commencing (E) 9CG-Da-H101		Qty. per Veh.	MODIFICATIONS		REMARKS
		Part Number	Illus. No.		New Part Number	Change Point	
	Engine (9CG)—continued						
1	<b>OIL PUMP—STRAINER—RELEASE VALVE</b>						
2	Oil pump (Hobourn)	2A962	10	1			Alternative to 12G50
3	Body	17H1962	11	1			
4	Cover (plain hole)	17H6427	12	1			
5	Shaft—driving (with inner and outer rotors)	17H1965	13	1		Fin. (E) 9CG-Da-H96711	
6	Screw—cover to body	AJD204Z	14	2			
7	Dowel	17H1964	15	3			
8	Screw—pump to crankcase	HBN0414	16	1			Alternative to 12B198
9	Washer—lock—screw	2A339	17	1			Part No. change; was 7H6795
10	<b>Oil pump (Burman)</b>	2A819	18	2			Part No. change; was 7H6796
11	Body and cover assembly	8G8181	19	2			
12	Screw—cover to body	HBN0411	20	2			
13	Washer—shakeproof—screw	LWN404	21	1		Fin. (E) 9CG-Da-H15258, L14245	
14	Dowel	7H6818	22	2			
15	Rotor	7H6810	23	1			
16	Vane—rotor	7H6807	24	3			
17	Sleeve—rotor	7H6808	25	1			
18	Screw—pump to crankcase	HZS0405					Alternative to 2A519. 12A107 not available; use 12A198
19	Washer—spring—screw	LWN304					Alternative to 2A962
	<b>Oil pump (concentric)</b>	12A107		1			
20	Screw—pump to crankcase	HBN0414		3		Com. (E) 9CG-Da-H15259, L14246	
21	Washer—lock—screw	2A889		1		Fin. (E) 9CG-Da-H36711	
22	Plate—lock—screw (all pumps)	2A522	26	1			
23	Joint—pump to crankcase	2A494	27	1		Com. (E) 9CG-Da-H15259, L14246	
24	<b>Strainer—oil</b>	2A668	28	1		Fin. (E) 9CG-Da-H36711	
25	Pipe (with oil strainer bracket)—suction	2A957	29	1			
26	Screw—bracket to oil strainer	HNS0404	30	2			
27	Washer—shakeproof—screw	LWN404	31	2			
28	Screw—bracket to bearing cap	HNS0404	32	2			
29	Washer—shakeproof—screw	LWN404	33	2			
30	<b>Valve—oil release</b>	1G1452	34	1		Fin. (E) 9CG-Da-H36711	
31	Spring—oil release valve	6K853	35	1			
32	Nut—cap—oil release valve	1A206	36	1			
33	Washer—cap nut	2K4982	37	2			
34	Plug—oil priming	2K4994	38	1			
35	Washer—plug (copper)	6K464	39	1			
36	Union—oil pressure	2A269	40	1			
37	Washer—union (fibre)	2K4956	41	1			

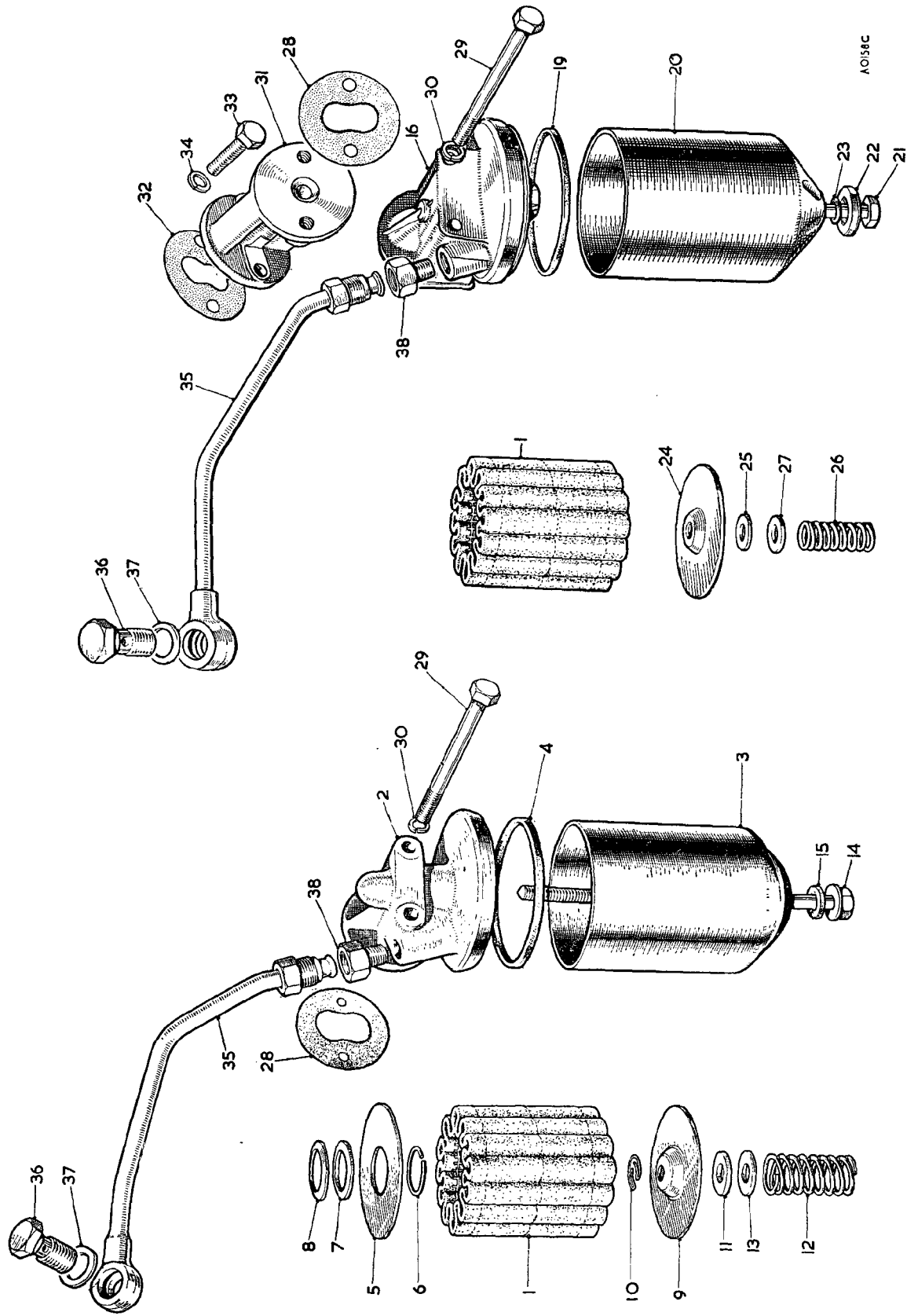
For 1098 c.c. engine components see Power Unit publication AKD3411.

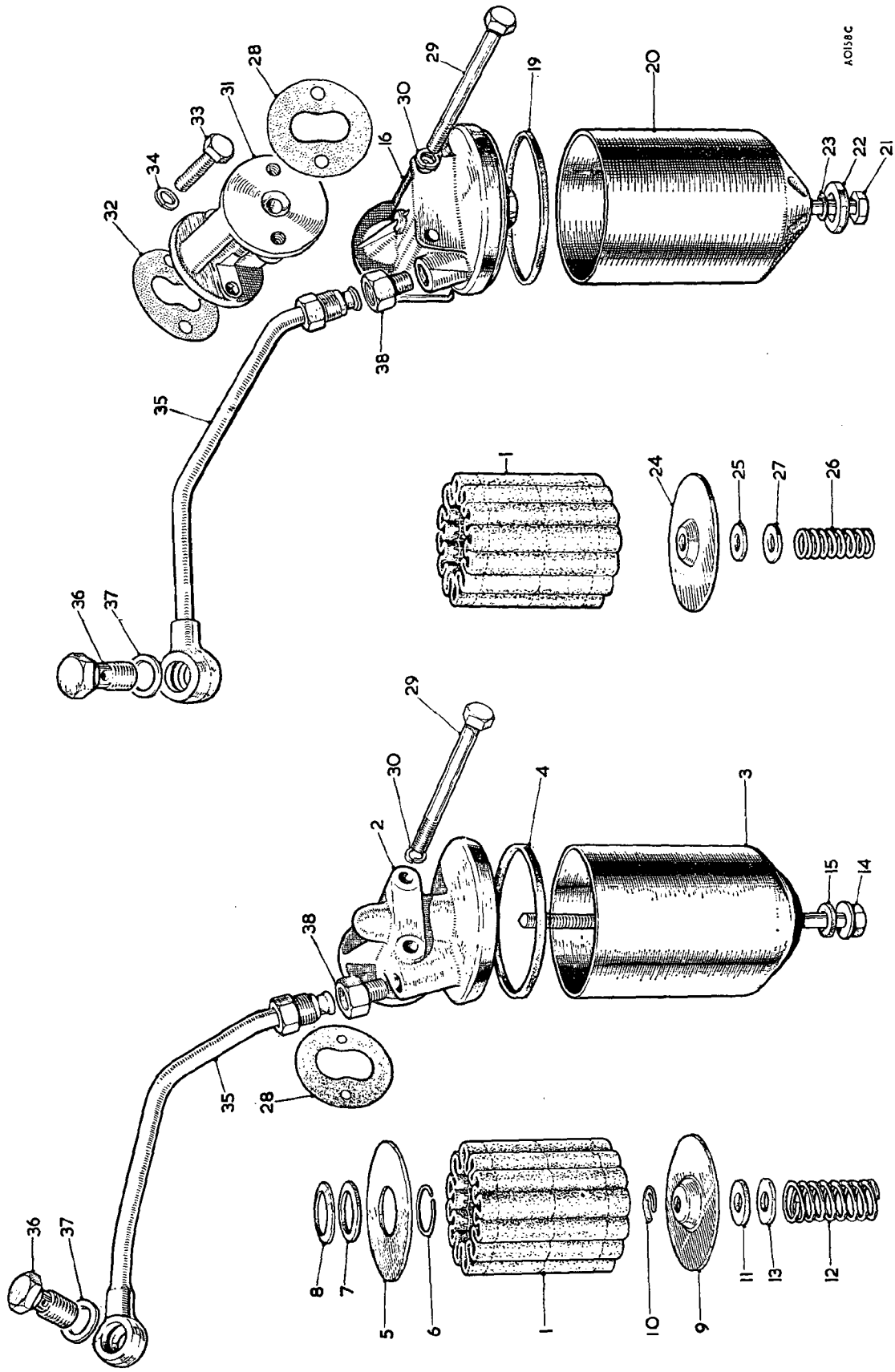
# SERVICE PARTS LIST

# THE M.G. MIDGET

Item No.	DESCRIPTION	Commencing (F) 9CG-Da-11101		Qty. per Veh.	MODIFICATIONS		REMARKS
		Part Number	Illus. No.		New Part Number	Change Point	
	<b>Engine (96G)—continued</b>						
	<b>OIL FILTER</b>						
1	Filter—oil (Tecalemit)	2A769	1	1			
2	Element	8G684	1	1			
3	Head assembly	17H945	2	1			
4	Sump	37H486	3	1			
5	Seal—sump to head	17H4	4	1			
6	Plate—element clamp	17H147	5	1			
7	Circlip—plate to head	2A700	6	1			
8	Washer—clamp plate (felt)	7H1756	7	1			
9	Washer—dished—clamp plate	7H1761	8	1			
10	Plate—pressure	17H942	9	1			
11	Circlip—plate to centre-bolt	7H1840	10	1			
12	Washer—pressure plate (felt)	7H1758	11	1			
13	Spring—pressure plate	7H1764	12	1			
14	Washer—spring	7H1765	13	1			
15	Bolt—centre	17H943	14	1			
16	Seal—bolt to sump	7H1759	15	1			
17	Filter—oil (Purulator)	12A141	1	1			
18	Element	8G684	1	1			
19	Head assembly	37H690	16	1			
20	Plate—clamping	NSP	1	1			
21	Seal—sump to head	27H1983	19	1			
22	Sump	17H169	20	1			
23	Bolt—centre	37H689	21	1			
24	Collar—centre-bolt	17H1172	22	1			
25	Seal—centre-bolt collar	17H1173	23	1			
26	Plate—pressure	17H1148	24	1			
27	Seal—pressure plate	7H28	25	1			
28	Spring—pressure plate	7H25	26	1			
29	Washer—pressure plate spring	7H7553	27	1			
30	Joint—oil filter to adaptor	12A148	28	1			
31	Joint—oil filter to adaptor	12A394	1	1			
32	Bolt—oil filter to adaptor	HCZ0628	29	2			
	Washer—spring—bolt	LWZ200	30	2			
33	Adaptor—oil filter	AEA305	31	1			
34							

For 1098 c.c. engine components see Power Unit publication AKD3411.





**SERVICE PARTS LIST**

**THE M.G. MIDGET**

Item No.	DESCRIPTION	Commencing (E) 9CG-Da-H101		Qty. per Veh.	MODIFICATIONS		REMARKS
		Part Number	Illus. No.		New Part Number	Change Point	
1	Engine (9CG)—continued						
2	Oil Filter—continued						
3	Joint—adaptor to crankcase	12A143	32	1			
4	Joint—adaptor to crankcase	12A394	33	1		Fin. (E) 9CG-Da-H36711	
5	Screw—adaptor to crankcase	NCS0608	34	2			
6	Washer—spring—screw	LWN206	35	2			
7	Pipe—oil	AEA313	36	1	AEA658		Alternatives AEA313 not available; use AEA658 with 2 off HCZ0630 and 1 off AEA657
8	Screw—banjo union	2A715	36	1			
9	Washer—screw (copper)	AED172	37	2			
10	Connection	TCN206	38	1	AEA678		For TCN206 use AEA678 for this application

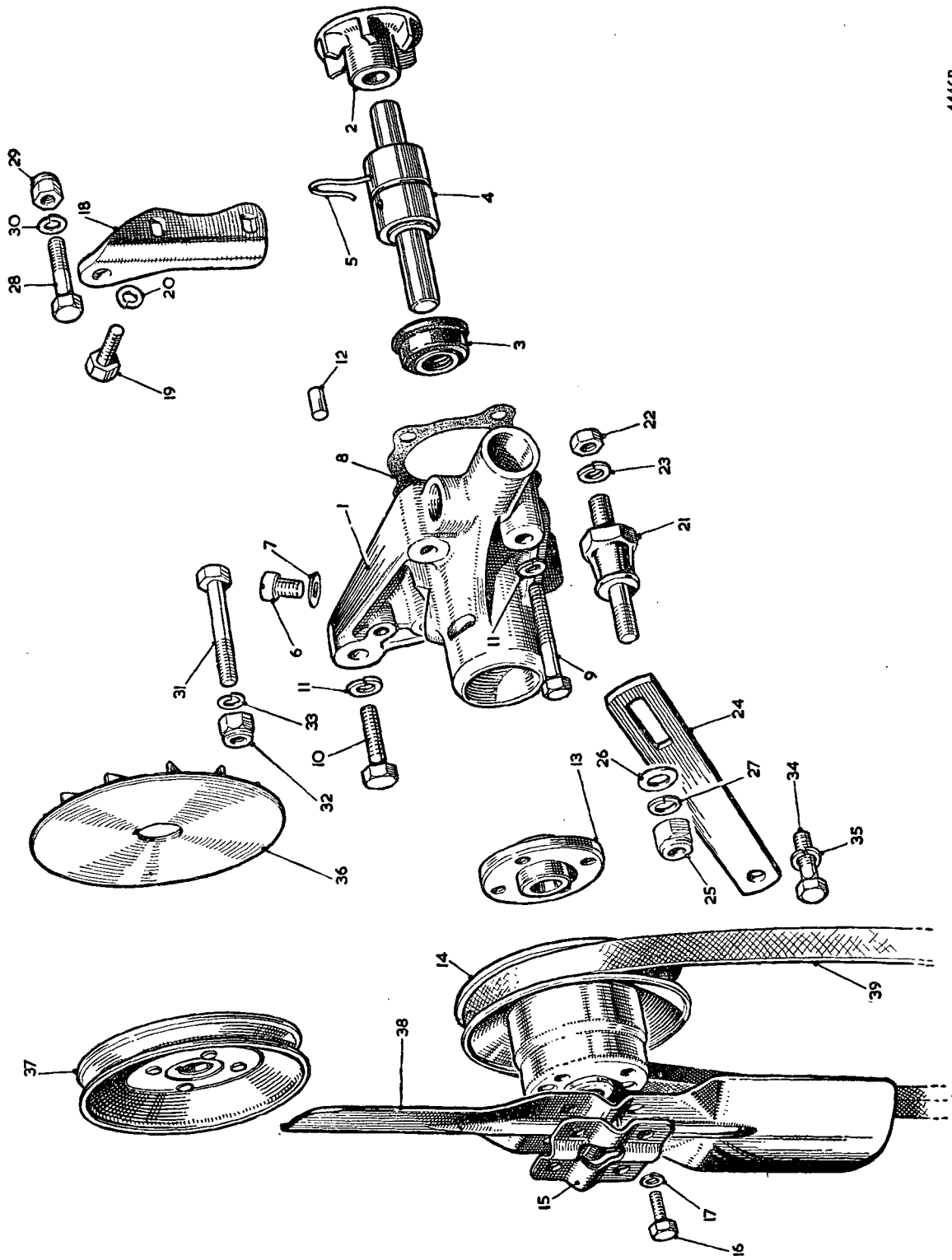
For 1096 c.c. engine components see Power Unit publication AKD3411.

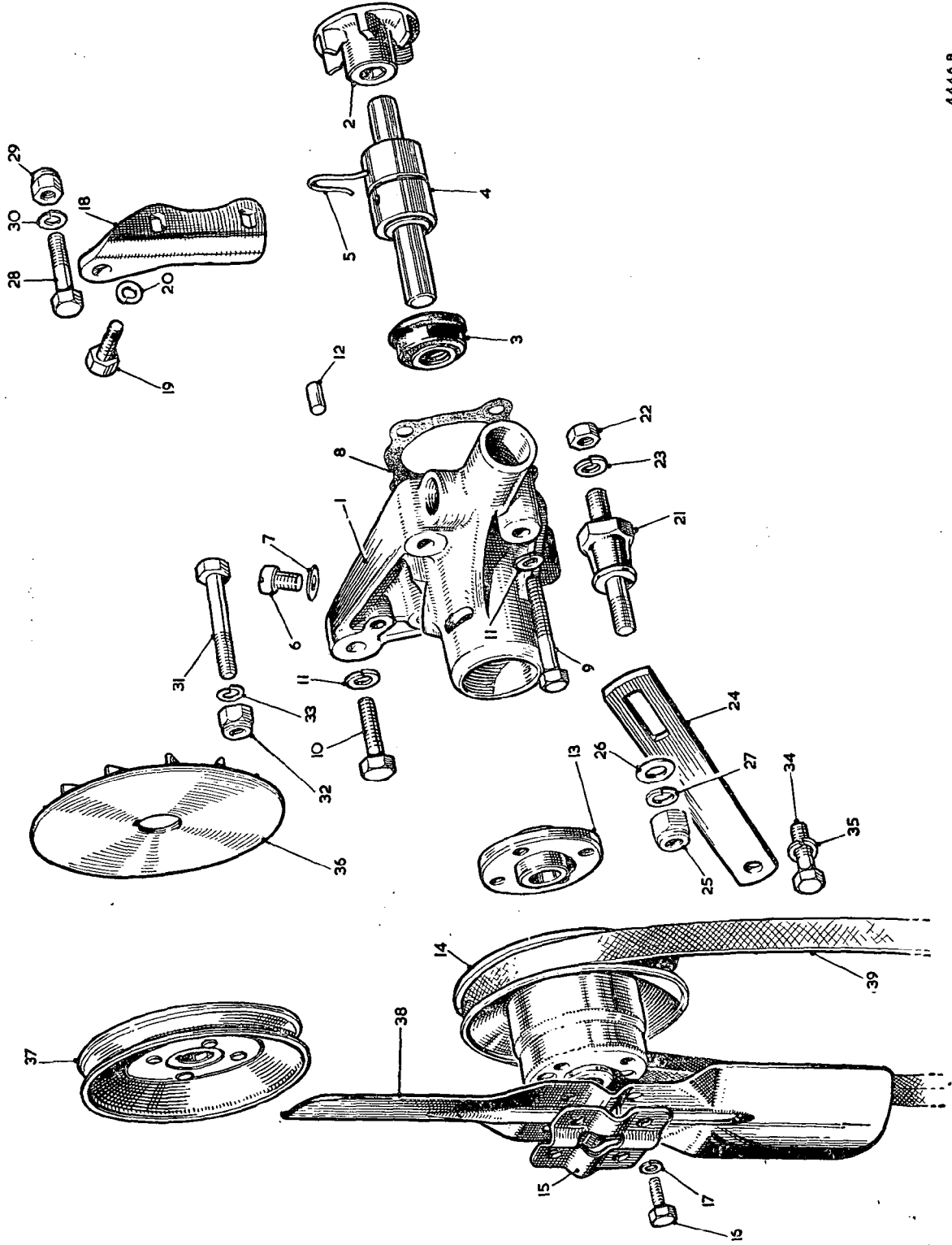
**SERVICE PARTS LIST**

**THE M.G. MIDGET**

Item No.	DESCRIPTION	Commencing (E) 9CG-Da-H101		Qty. per Veh.	MODIFICATIONS		REMARKS
		Part Number	Illus. No.		New Part Number	Change Point	
1	Engine (9CG)—continued <b>WATER PUMP—FAN PULLEY</b> Pump assembly—water	2A774		1	12G120	Com. (E) 9CG-Da-H32726, L26633 Fin. (E) 9CG-Da-H36711 Fin. (E) 9CG-Da-H86711 Fin. (E) 9CG-Da-H32725, L26632 Com. (E) 9CG-Da-H32726, L26633 Fin. (E) 9CG-Da-H36711	Not available; use ] Alternatives 8CG98
2	Body	2A776	1	1			
3	Vane	2A664	2	1			
4	Seal	8G498	3	1			
5	Seal	8G697		1			
6	Seal			1	13H591 13H772	Use 13H772 in lieu of 13H591 for all Service replacements	
7	Bearing (with spindle)	2A777	4	1			
8	Wire—bearing locating	2A778	5	1			
9	Screw—lubricating point	53K1433	6	1			
10	Washer—screw (fibre)	2K4974	7	1			
11	Hub—pulley	2A665	13	1			
12	Adaptor—by-pass	2A243		1			
13	Joint—pump to crankcase	2A667	8	1			
14	Joint—pump to crankcase	12A31		1			
15	Screw—pump to crankcase—long	HZS0515	9	2			
16	Screw—pump to crankcase—short	HZS0510	10	2			
17	Washer—spring—screw	LWN305	11	4			
18	Dowel—pump	2K6124	12	2			
19	<b>Pulley—fan and water pump</b>	2A601	14	1		Fin. (E) 9CG-Da-H36711	
20	Stiffener—fan blade	2A803	15	1			
21	Screw—fan to pulley	HZS0406	16	4			
22	Washer—spring—screw	LWN204	17	4			
23	<b>Kit—water pump repair</b>	8G2312	17	4			
24	Vane			1			
25	Seal			1			
26	Bearing (with spindle)			1			
27	Wire—bearing locating			1			
28	Screw—lubricating point			1			
29	Washer—screw (fibre)			1			
30	Hub—pulley			1			
31	Joint—pump to crankcase			1			

For 1098 c.c. engine components see Power Unit publication AKD3411.





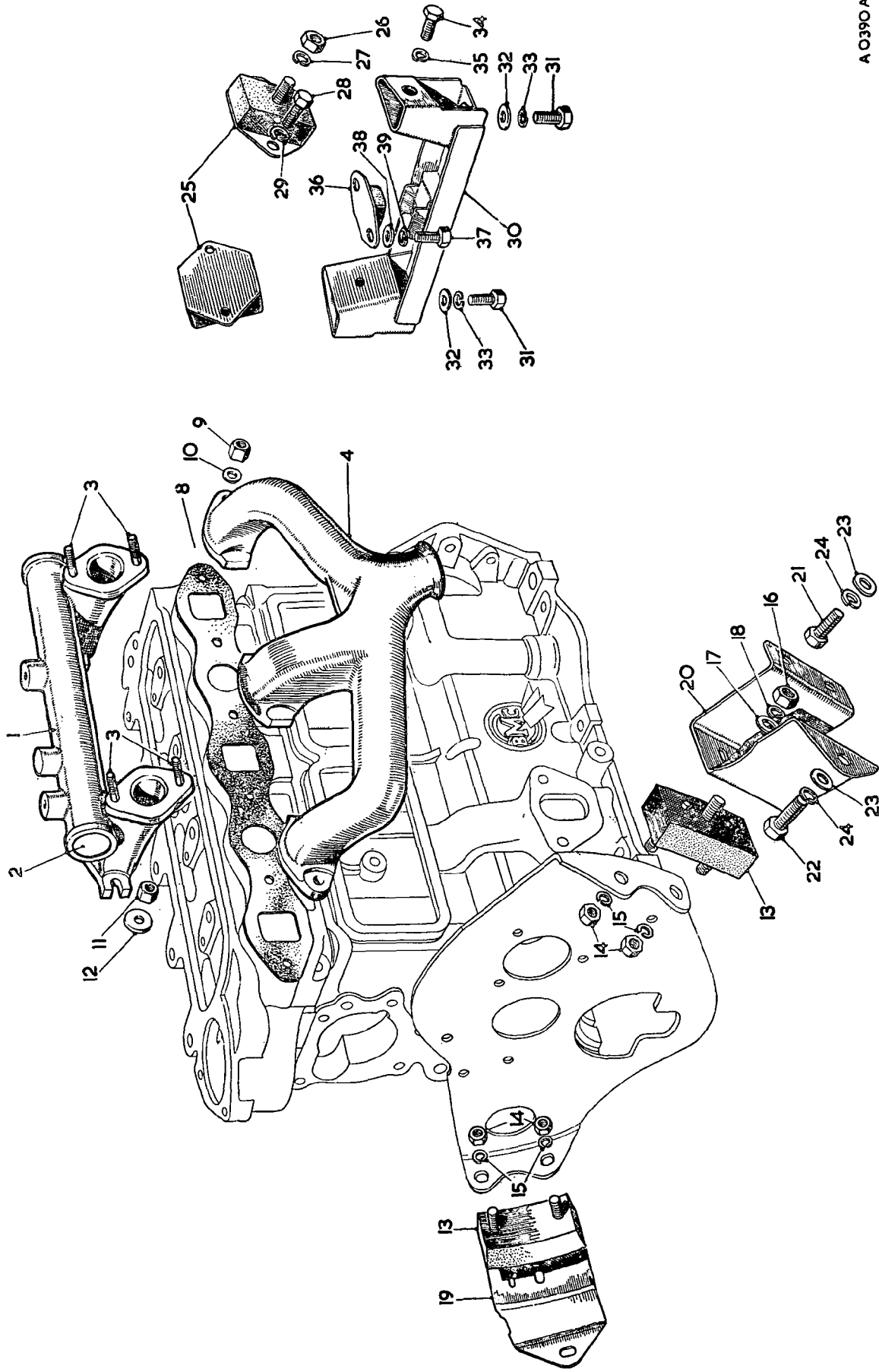


**SERVICE PARTS LIST**

**THE M.G. MIDGET**

Item No.	DESCRIPTION	Commencing (E) 9CG-Da-H101		Qty. per Veh.	MODIFICATIONS		REMARKS
		Part Number	Illus. No.		New Part Number	Change Point	
	Engine (9CG)— <i>continued</i>						
	<b>DYNAMO MOUNTING</b>						
1	Bracket—dynamo—rear	2A758	18	1			
2	Screw—bracket to crankcase	HZS0507	19	2		Fin. (E) 9CG—Da—H36711	
3	Washer—spring—screw	LWZ305	20	2			
4	Pillar—dynamo adjusting link	2A128	21	1	AEA643	Com. (E) 9CG—Da—H1154 Fin. (E) 9CG—Da—H36711	
5	Nut—pillar	FNZ106	22	1			
6	Washer—spring—nut	LWZ306	23	1			
7	Link—dynamo adjusting	AEA325	24	1	AEA644 AEA679	Com. (E) 9CG—Da—H1154 Com. (E) 9CG—Da—H22851, L15656	
8	Nut—adjusting link	LNZ206	25	1		Fin. (E) 9CG—Da—H36711	
9	Washer—plain—nut	PWN106	26	1	1B8806	Com. (E) 9CG—Da—H1154	
10	Washer—spring—nut	LWZ306	27	1		Fin. (E) 9CG—Da—H1153	
11	Screw—dynamo to bracket	HZS0509	28	1			
12	Nut—screw	LNZ205	29	1			
13	Washer—spring—screw	2K5319	30	1			
14	Bolt—dynamo to water pump	HBZ0513	31	1			
15	Nut—bolt	LNZ205	32	1		Fin. (E) 9CG—Da—H36711	
16	Washer—spring—bolt	LWZ305	33	1			
17	Screw—adjusting link to dynamo	3H2098	34	1			
18	Washer—spring—screw	LWZ305	35	1			
19	Fan—dynamo	1G1783	36	1			
20	Pulley—dynamo	1H998	37	1			
	<b>FAN AND FAN BELT</b>						
21	Blade—fan	AEA301	38	2		Com. (E) 9CG—Da—H22851, L15656	
22	Belt—fan (wedge type)	AEA489	39	1	AEJ63	Fin. (E) 9CG—Da—H36711	
23	Liner—cylinder block	2A784		4		Fin. (E) 9CG—Da—H36711	For repair purposes only
	<b>CYLINDER LINER</b>						
24	Sleeve—blanking—thermostat by-pass	11G176		1		Fin. (E) 9CG—Da—H36711	For use when thermostat is removed
	<b>BLANKING SLEEVE</b>						
For 1098 c.c. engine components see Power Unit publication AKD3411.							





A0390A

**SERVICE PARTS LIST**

**THE M.G. MIDGET**

Item No.	DESCRIPTION	Commencing (E) 9CG-Da-H101		Qty. per Veh.	MODIFICATIONS		REMARKS	
		Part Number	Illus. No.		New Part Number	Change Point		
1	Engine (9CG)— <i>continued</i>							
2	<b>INLET AND EXHAUST MANIFOLD</b>							
3	Manifold—inlet (with plug and studs)	AEA576	1	1	AEA633	Com. (E) 9CG-Da-H3170 Fin. (E) 9CG-Da-H36711	AEA576 not available; use AEA633	
4	Plug—inlet manifold	2K8159	2	2	AEA685			
5	Stud—carburettor to manifold	CHS2620	3	4				
6	Manifold—exhaust	12A191	4	1				
7	Joint—inlet and exhaust manifolds to cylinder head	12A192	8	1				
8	Nut—stud—inlet and exhaust manifolds to cylinder head	BNN105	9	4				
9	Washer—inlet and exhaust manifold stud	2A110	10	4				
10	Nut—stud—exhaust manifold to cylinder head	BNN105	11	2				
11	Washer for exhaust manifold stud	PWN105	12	2				
12	Screw—heater clip	ZCS0404		2				Part No. change; was 2K1203
	Washer—plain—screw	PWZ104		2				
	Washer—spring—screw	LWZ204		2				

For 1098 c.c. engine components see Power Unit publication AKD3411.

Item No.

DESCRIPTION

**ENGINE MOUNTINGS**

**Mounting assembly—front**  
 Nut—mounting to engine  
 Washer—spring—nut  
 Nut—mounting to bracket  
 Washer—plain—nut  
 Washer—spring—nut  
**Bracket—engine mounting—front—RH**  
 Bracket—engine mounting—front—LH  
 Screw—bracket to frame ( $\frac{1}{2}$ " [15.87 mm.])  
 Screw—bracket and fuel pipe clip to frame ( $\frac{3}{4}$ " [19.05 mm.])  
 Washer—plain—screw  
 Washer—spring—screw  
**Mounting assembly—rear**  
 Nut—mounting to support  
 Washer—spring—nut  
 Screw—mounting to gearbox  
 Washer—spring—screw  
**Plate assembly—rear mounting support**  
 Bolt—support plate to cross-member  
 Washer—plain—screw  
 Washer—spring—screw  
 Screw—support plate to gearbox cover  
 Washer—spring—screw  
**Rubber—tie—rear mounting**  
 Screw—tie rubber to gearbox  
 Washer—plain—screw  
 Washer—spring—screw

MODIFICATIONS

Change Point

Qty. Per Veh.

Commencing (C) GANI/101

Part Number

Illus. No.

New Part Number

REMARKS

13  
14  
15  
16  
17  
18  
19  
20  
21  
22  
23  
24  
25  
26  
27  
28  
29  
30  
31  
32  
33  
34  
35  
36  
37  
38  
39

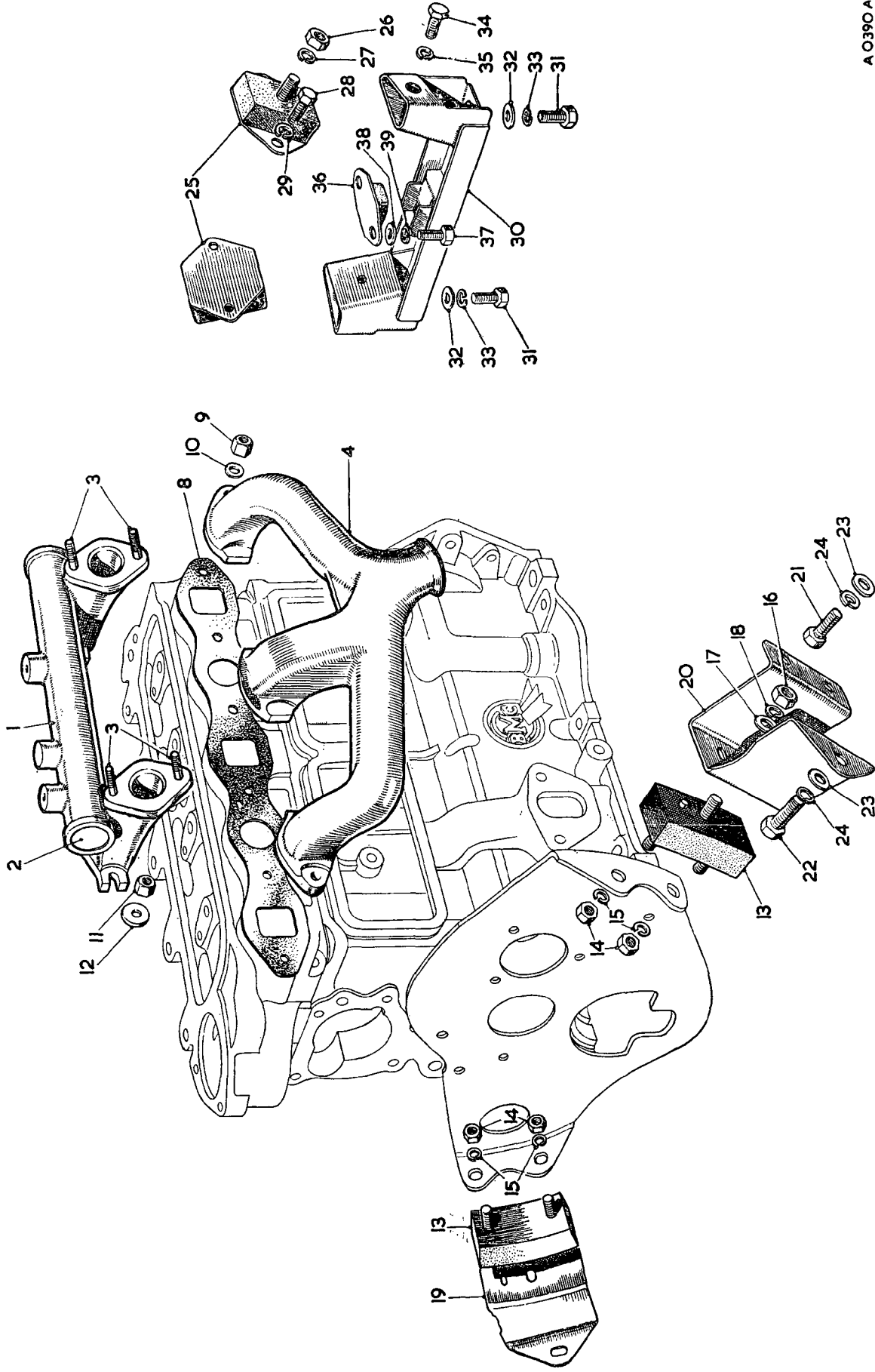
**AHA5484**  
 FNZ105  
 LWZ305  
 FNZ106  
 PWN106  
 LWZ306  
**2A5570**  
 2A5571  
 HZS0505  
 HZS0506  
 PWZ105  
 2K5319  
**2A5422**  
 FNZ106  
 LWZ206  
 ZCS0506  
 LWZ205  
**2A5552**  
 HBZ0626  
 PWZ106  
 LWZ206  
 HZS0505  
 LWZ205  
**2A5420**  
 ZCS0506  
 PWZ105  
 LWZ205

2  
4  
4  
2  
2  
2  
1  
1  
5  
1  
6  
6  
2  
2  
2  
2  
4  
4  
1  
2  
2  
2  
2  
2  
2  
2  
1  
2  
2  
2  
2  
2

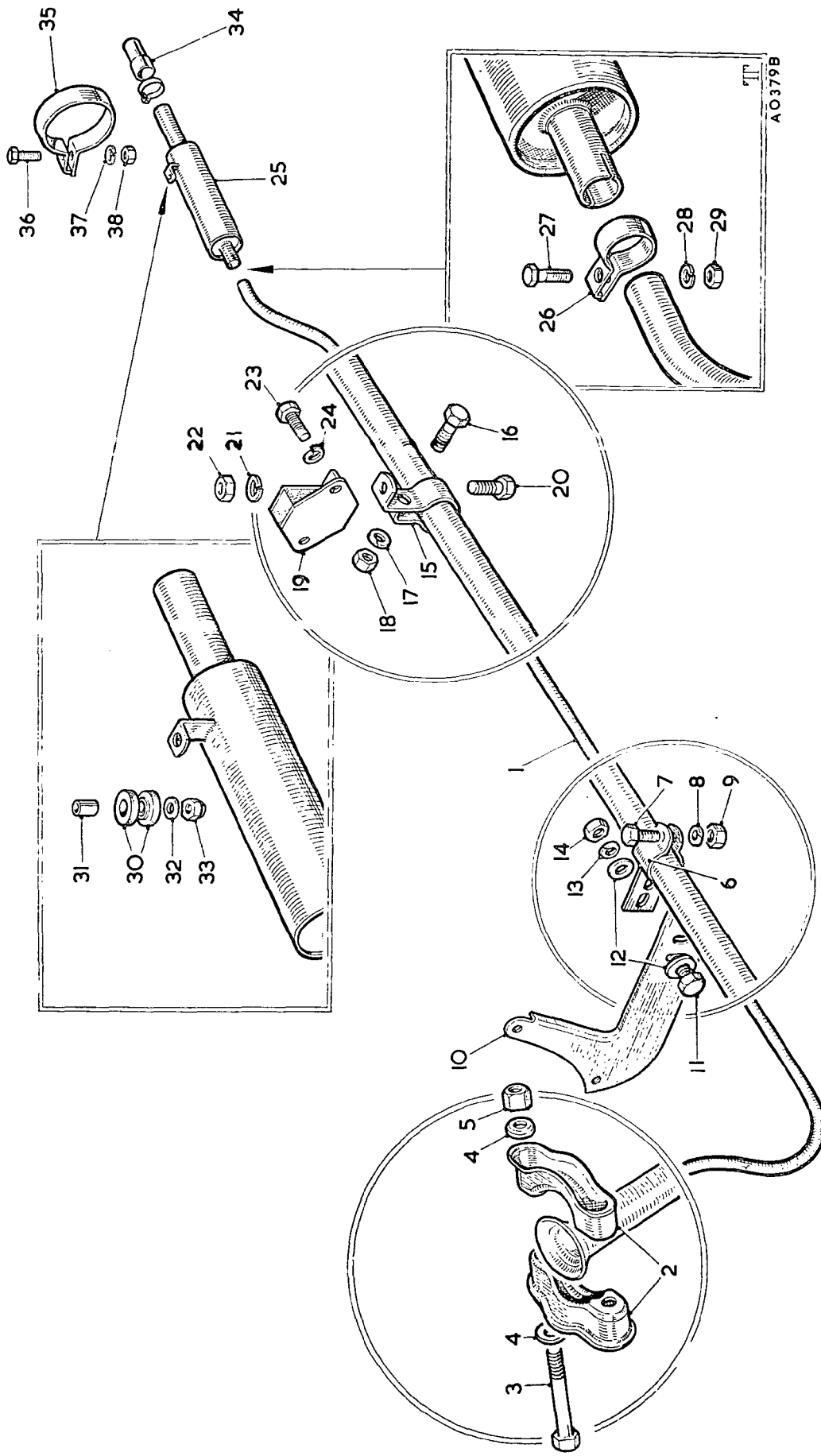
Part No. change; was 2K1204

Part No. change; was 53K154

Part No. change; was 53K154



A0390A



**SERVICE PARTS LIST**

**THE M.G. MIDGET**

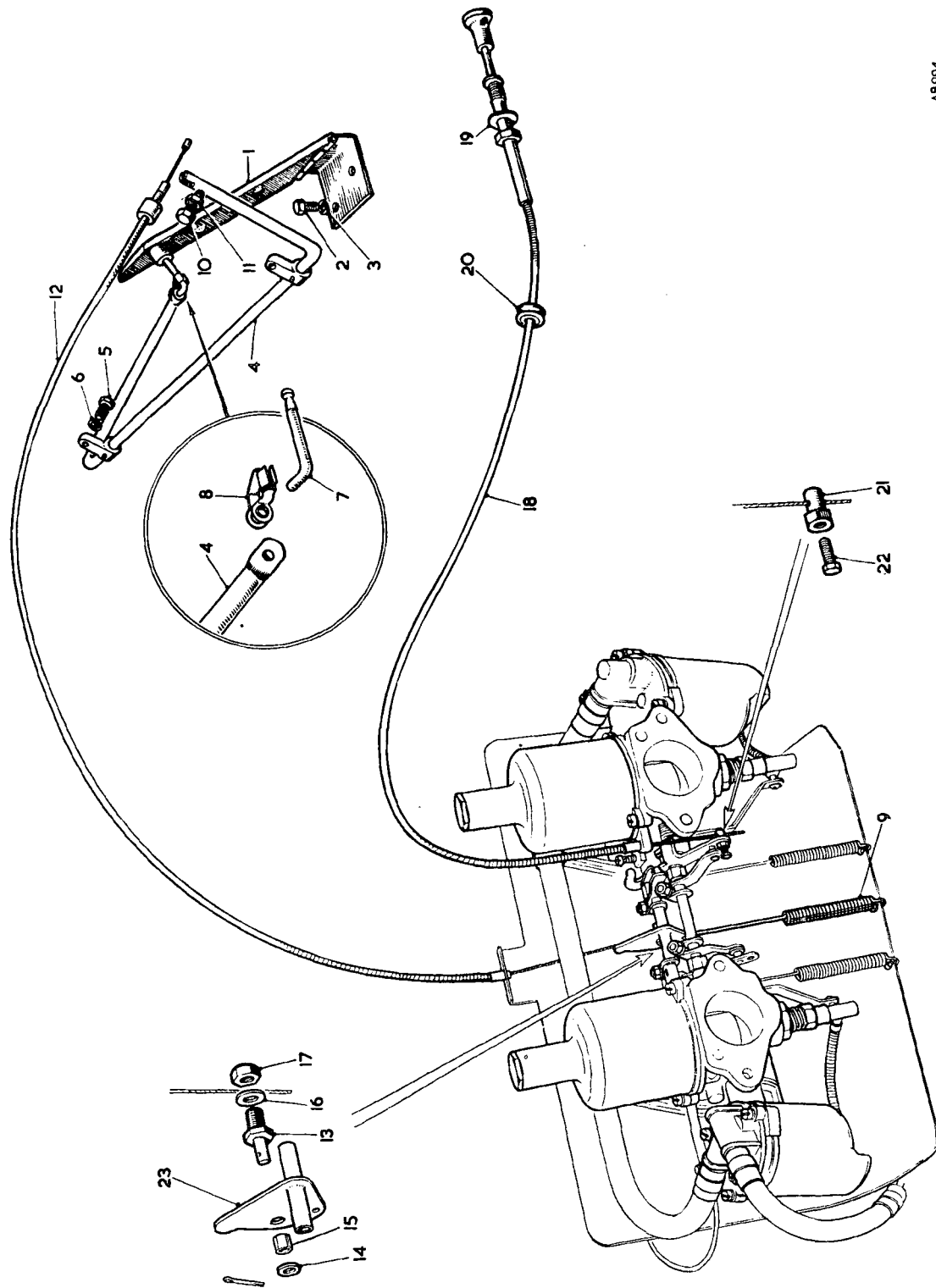
Item No.	DESCRIPTION	Commencing (C) GANI/101		Qty. per Veh.	MODIFICATIONS		REMARKS
		Part Number	Illus. No.		New Part Number	Change Point	
	<b>EXHAUST SYSTEM</b>						
1	Pipe—exhaust	AHA5360	1	1			
2	Pipe—exhaust	AHA5688	1	1			
3	Clamp—pipe to manifold	2A287	2	2			
4	Screw—Clamp	HZ50518	3	4			
5	Washer—plain—screw	2K5806	4	4			
6	Nut—screw	AHH5171	5	2			
7	Clip—pipe support—front	AHA5289	6	1			
8	Screw—clip to pipe	HZ50508	7	1			
9	Washer—spring—screw	LWZ205	8	1			
10	Nut—screw	FNZ105	9	1			
11	Bracket—mounting—pipe to clutch housing bolt	AHA5361	10	1			
12	Screw—clip to bracket	HZ50506	11	2			
13	Washer—plain—screw	PWZ105	12	4			
14	Washer—spring—screw	LWZ205	13	2			
15	Nut—screw	FNZ105	14	2			
16	Clip—pipe support—rear	2A2091	15	1			
17	Screw—clip to pipe	HZ50407	16	1			
18	Washer—spring—screw	LWZ204	17	1			
19	Nut—screw	FNZ104	18	1			
20	Mounting—pipe (rubber)	3H3076	19	1			
21	Screw—clip to mounting	HZ50505	20	1			
22	Washer—spring—screw	FNZ105	21	1			
23	Nut—screw	HZ50505	22	1			
24	Screw—mounting to cross-member	FNZ105	23	2			
25	Washer—spring—screw	LWZ205	24	2			
26	Silencer assembly	ARA134	25	1			
27	Silencer assembly	ARA116	26	1			
28	Clip—silencer to pipe	AHA5854	27	1			
29	Screw—clip	HZ50507	28	1			
30	Washer—spring—screw	LWZ205	29	1			
31	Nut—screw	FNZ105	30	1			
32	Bush—silencer support (rubber)	AHA5689	31	2			
33	Spacer—bush	AHA5690	32	1			
34	Washer—plain	PWZ205	33	1			
35	Locknut fixing silencer	LNZ105	34	1			
36	Locknut fixing silencer	LNZ205	35	1			
37	Extension—silencer tail pipe	AHA6172	36	1			
38	Clip—extension	AHA6173	37	1			
39	Screw—clip	HZ50507	38	1			
40	Washer—spring—screw	LWZ205	39	1			
41	Nut—screw	FNZ105	40	1			
							Alternatives



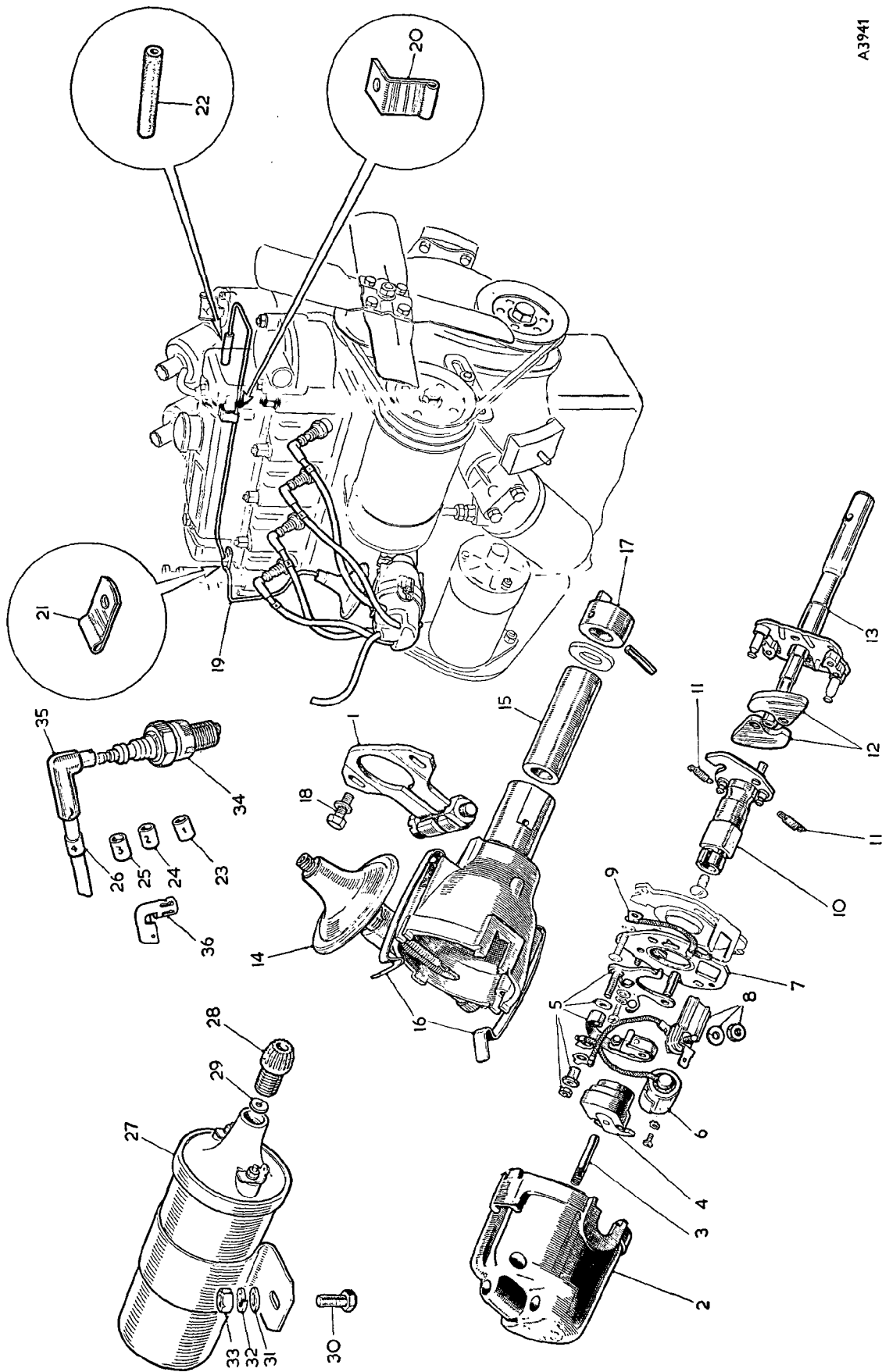
**SERVICE PARTS LIST**

**THE M.G. MIDGET**

Item No.	DESCRIPTION	Commencing (C) GANI/101		Qty. Per Veh.	MODIFICATIONS		REMARKS
		Part Number	Ilus. No.		New Part Number	Change Point	
	<b>ENGINE CONTROLS</b>						
1	Pedal—accelerator.....	11G2034	1	1	AHA6256	Com. (C) 6021	
2	Screw—pedal to floor.....	HZS0404	2	2			
3	Washer—spring—screw.....	LWZ204	3	3			
4	Lever—pedal.....	2A2077	4	1			
5	Screw—lever bracket to footwell.....	HZS0407	5	2			
6	Washer—spring—screw.....	LWZ204	6	2			
7	Link—pedal.....	2A2079	7	1	AHA6255	Com. (C) 6021	
8	Clip—link to lever.....	18F172	8	1			
9	Washer—plain—link to lever.....	HZS0407	9	1			
10	Screw—pedal lever stop.....	FNZ204	10	1			
11	Locknut—screw.....	FNZ204	11	1			
12	Cable assembly—accelerator control.....	AHA5746	12	1			
13	Spring—pedal return.....	AEA602	13	3			
14	Rod assembly—throttle connecting.....	AEA587	14	1			
15	Pin—accelerator cable to lever.....	ACC062	15	1			
16	Washer—plain—pin—small.....	PWZ203	16	1			
17	Distance piece.....	AEA606	17	1			
18	Washer—plain—pin—large.....	PWZ104	18	1			
19	Nut—cable to pin.....	FNZ104	19	1			
20	Cable assembly—choke control.....	AHA5676	20	1			
21	Cable assembly—choke control.....	AHA6203	21	1			
22	Washer—plain—cable to fascia.....	PWZ106	22	1			
23	Grommet—cable through dash.....	RFN308	23	1			
24	Strap—cable to heater clip.....	ACH8979	24	1			
25	Pin—cable to carburetter.....	ACH9042	25	1	AHA6867	Com. (C) 7704	
26	Screw—pin to cable.....	ACA3453	26	1			
							For parts fitted to vehicles after (C) 16201 see Power Unit publication AKD3411



AB994



SERVICE PARTS LIST

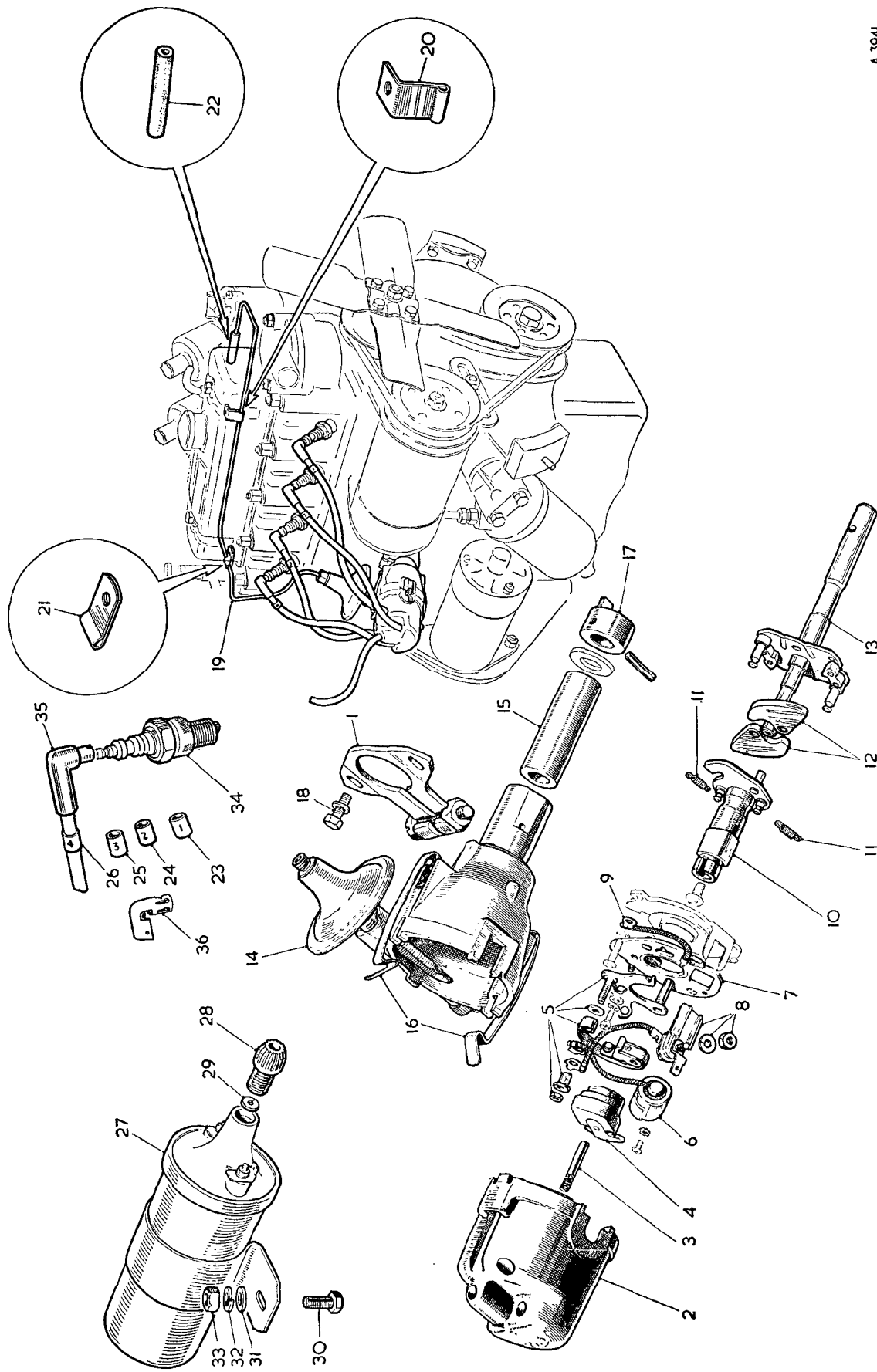
THE M.G. MIDGET

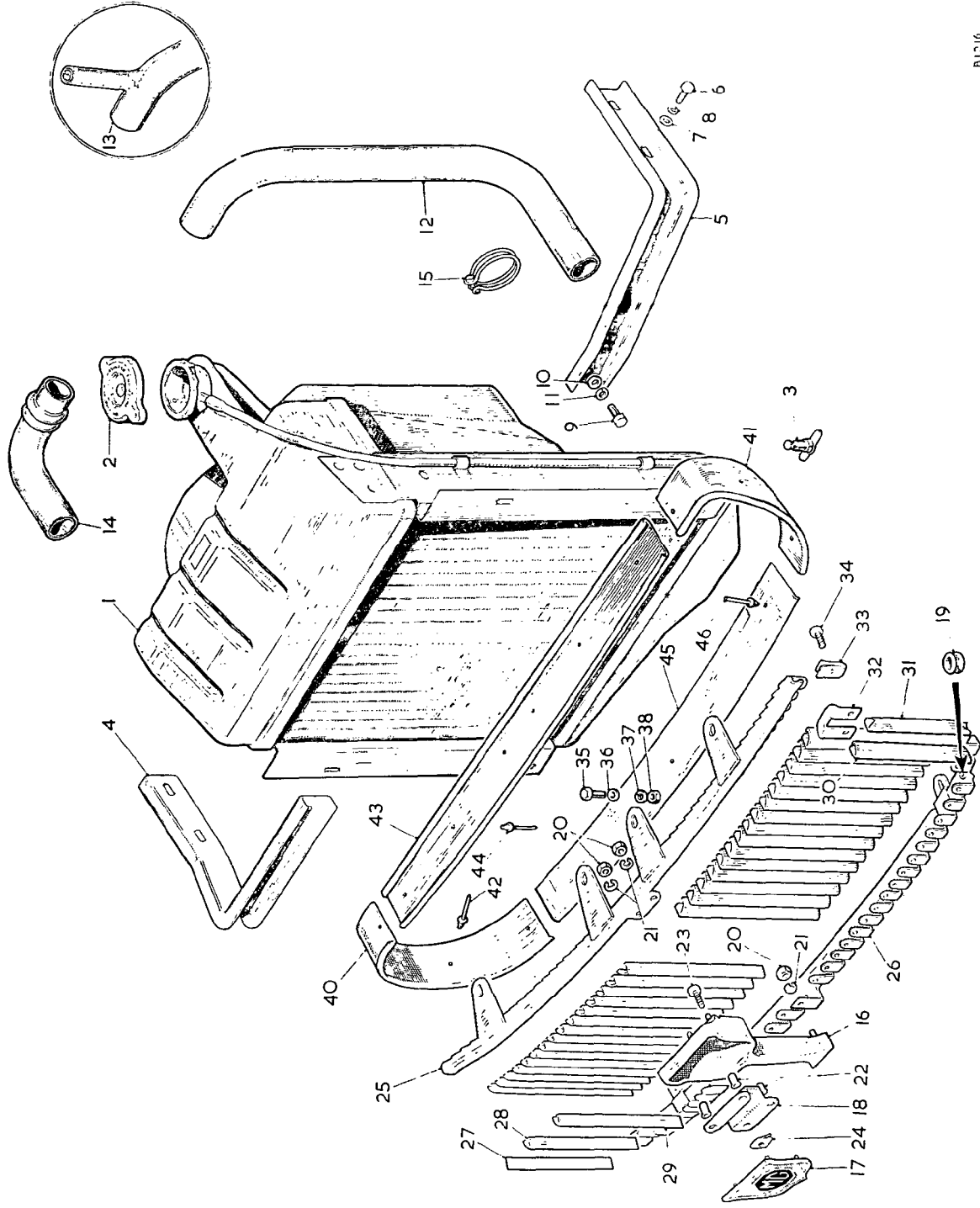
Item No.	DESCRIPTION	Commencing (E) 9CG-Da-H101		Qty. per Veh.	MODIFICATIONS		REMARKS
		Part Number	Illus. No.		New Part Number	Change Point	
<b>IGNITION EQUIPMENT</b>							
<b>DISTRIBUTOR</b>							
1	Distributor	AEJ48		1	AEJ78	Com. (E) 9CG-Da-H27445, L16949 Fin. (E) 9CG-Da-H36711	
2	Plate assembly—clamping	3H2138	1	1		Fin. (E) 9CG-Da-H36711	
3	Cover	17H5422	2	1	57H5477	Com. (E) 9CG-Da-H27445, L16949 Fin. (E) 9CG-Da-H36711	
4	Brush and spring	17H5065	3	1			
5	Rotor arm	7H5086	4	1			
6	Contacts	17H5423	5	1 set		Fin. (E) 9CG-Da-H36711	
7	Condenser	47H5250	6	1			
8	Plate—contact breaker base	17H5469	7	1			
9	Terminal with bush and lead	57H5346	8	1	57H5478	Com. (E) 9CG-Da-H27445, L16949 Fin. (E) 9CG-Da-H36711	
10	Lead—earth	17H5581	9	1			
11	Cam	57H5862	10	1		Fin. (E) 9CG-Da-H36711	
12	Springs—automatic advance	57H5863	11	1 set		Fin. (E) 9CG-Da-H36711	
13	Weight	57H5049	12	2	57H5420	Com. (E) 9CG-Da-H27445, L16949 Fin. (E) 9CG-Da-H36711	
14	Shaft and action plate	57H5050	13	1			
15	Vacuum unit	47H5520	14	1			
16	Bush—body bearing	47H5164	15	1			
17	Clip—cover retaining	37H5445	16	2		Fin. (E) 9CG-Da-H36711	
18	Dog—driving	47H5249	17	1			
19	Sundry parts	17H5106	18	1 set			
20	Screw—clamping plate to distributor housing	6K639	18	2			
21	Pipe—vacuum ignition control	AEA579	19	1	AEA663	Com. (E) 9CG-Da-H8985 except 5701 to 8984 Fin. (E) 9CG-Da-H36711	
22	Clip—pipe to inlet manifold	AEA581	20	1			
23	Clip—pipe to cylinder head	ACH9009	21	1		Fin. (E) 9CG-Da-H36711	
24	Connection—pipe to carburettor (rubber)	ACH9041	22	1			
For ignition equipment fitted to 1098 c.c. engine see Power Unit publication AKD3411.							

**SERVICE PARTS LIST**

**THE M.G. MIDGET**

Item No.	DESCRIPTION	Commencing (E) 9CG Da H101		Qty. per Veh.	MODIFICATIONS		REMARKS
		Part Number	Illus. No.		New Part Number	Change Point	
1							
2	<b>H.T. CABLES</b>						
1	Cable—H.T.—coil to distributor (9 1/2" [24.44 cm.])	45223		A/R		Fin. (E) 9CG Da—H36711	Supplied only in 100' (30.4 m. rolls)  For ignition equipment fitted to 1098 c.c. engine see Power Unit publication AKD3411
2	Cable—H.T.—No. 1 (12" [30.48 cm.])	45223		A/R			
3	Cable—H.T.—No. 2 (11" [27.94 cm.])	45223		A/R		Fin. (E) 9CG Da—H8984 except 8690 to 8700	
4	Cable—H.T.—No. 3 (8 1/2" [21.59 cm.])	45223		A/R			
5	Cable—H.T.—No. 4 (9 1/2" [24.44 cm.])	45223		A/R			
6	Cable—H.T.—No. 1 (14" [35.56 cm.])	45223		A/R		Com. (E) 9C†—Da—H8985; also 8690 to 8700	
7	Cable—H.T.—No. 2 (14" [35.56 cm.])	45223		A/R		Fin. (E) 9C† Da—H36711	
8	Cable—H.T.—No. 3 (10" [25.4 cm.])	45223		A/R			
9	Cable—H.T.—No. 4 (9 1/2" [24.13 cm.])	45223		A/R			
10	Sleeve—cable identity—No. 1	2H4243	23	1			
11	Sleeve—cable identity—No. 2	2H4244	24	1		Fin. (E) 9C† Da—H36711	
12	Sleeve—cable identity—No. 3	2H4245	25	1			
13	Sleeve—cable identity—No. 4	2H4246	26	1			
14	Plug—sparking	3H2006	34	4			
15	Plug—sparking	2A375		4		Fin. (E) 9C† Da—H36711	
16	Suppressor—sparking plug	3H1422	35	4			
17	Connector—sparking plug	13H184	36	4		For use when short-wave radio is fitted	
18	<b>IGNITION COIL</b>						Part No. change; was BMK356
19	Coil—ignition	13H152	27	1			
20	Nut—H.T. terminal	3H2695	28	1			
21	Washer—spring—nut	3H2696	29	1			
22	Screw—coil to bracket and gusset plate assembly	HZ50405	30	2			
23	Washer—plain—screw	PWZ204	31	2			
24	Washer—spring—screw	IWZ204	32	2			
25	Nut—screw	FNZ104	33	2			





B11716

To face page C.1

**SERVICE PARTS LIST**

**THE M.G. MIDGET**

Item No.	DESCRIPTION	Commencing (C) GANI/010		Qty. per Veh.	MODIFICATIONS		REMARKS
		Part Number	Illus. No.		New Part Number	Change Point	
	<b>COOLING SYSTEM</b>						
1	Radiator assembly	ARA92	1	1			
2	Cap—filler	ARH1542	2	1			
3	Tap—drain	3H2724	3	1			
4	Tap—drain	13H82	4	1			
5	Bracket—radiator to wheel arch—RH	2A5591	5	1			
6	Bracket—radiator to wheel arch—LH	2A5592	6	1			
7	Screw—bracket to wheel arch	HZ50405	7	3			
8	Washer—plain—screw	PWZ204	8	3			
9	Washer—spring—screw	LWZ204	9	3			
10	Screw—radiator to bracket	HZ50406	10	4			
11	Washer—plain—screw	PWZ104	11	4			
12	Washer—spring—screw	LWZ304	12	4			
13	Hose—radiator to pump	2A2083	13	1			
14	Hose—radiator to pump	2A2084	14	1			
15	Hose—outlet elbow to radiator	2A2082	15	4			
16	Clip—hose	8C550	16	4			
17	Grille assembly—radiator	ARA113	17	1			
18	Centre bar and badge housing	ARA1212	18	1			
19	Badge	ARA1211	19	1			
20	Bracket—badge mounting	ARA1218	20	1			
21	Grommet	ARA1259	21	4			
22	Nut—badge housing to grille assembly	FNZ103	22	3			
23	Washer—spring—nut	LWZ203	23	3			
24	Blind—fix—badge	ARA1238	24	4			
25	Screw—Mounting bracket to badge housing	PJZ804	25	1			
26	Nut—spring—screw	PF308	26	1			
27	Bar assembly—grille—upper	ARA1198	27	1			
28	Bar assembly—grille—lower	ARA1205	28	1			
29	Slat—short—RH—No. 1	ARA1208	29	1			
30	Slat—RH—No. 2	ARA1215	30	1			
31	Slat—No. 3 to 34 inclusive	ARA1210	31	32			
32	Slat—LH—No. 35	ARA1216	32	1			
33	Slat—short—LH—No. 36	ARA1209	33	1			
34	Slat link—RH	ARA1206	34	2			
35	Slat link—LH	ARA1207	35	2			
36	Clip—slat	ARR596	36	76			
37	Screw—clip	ARG042	37	76			

Alternatives

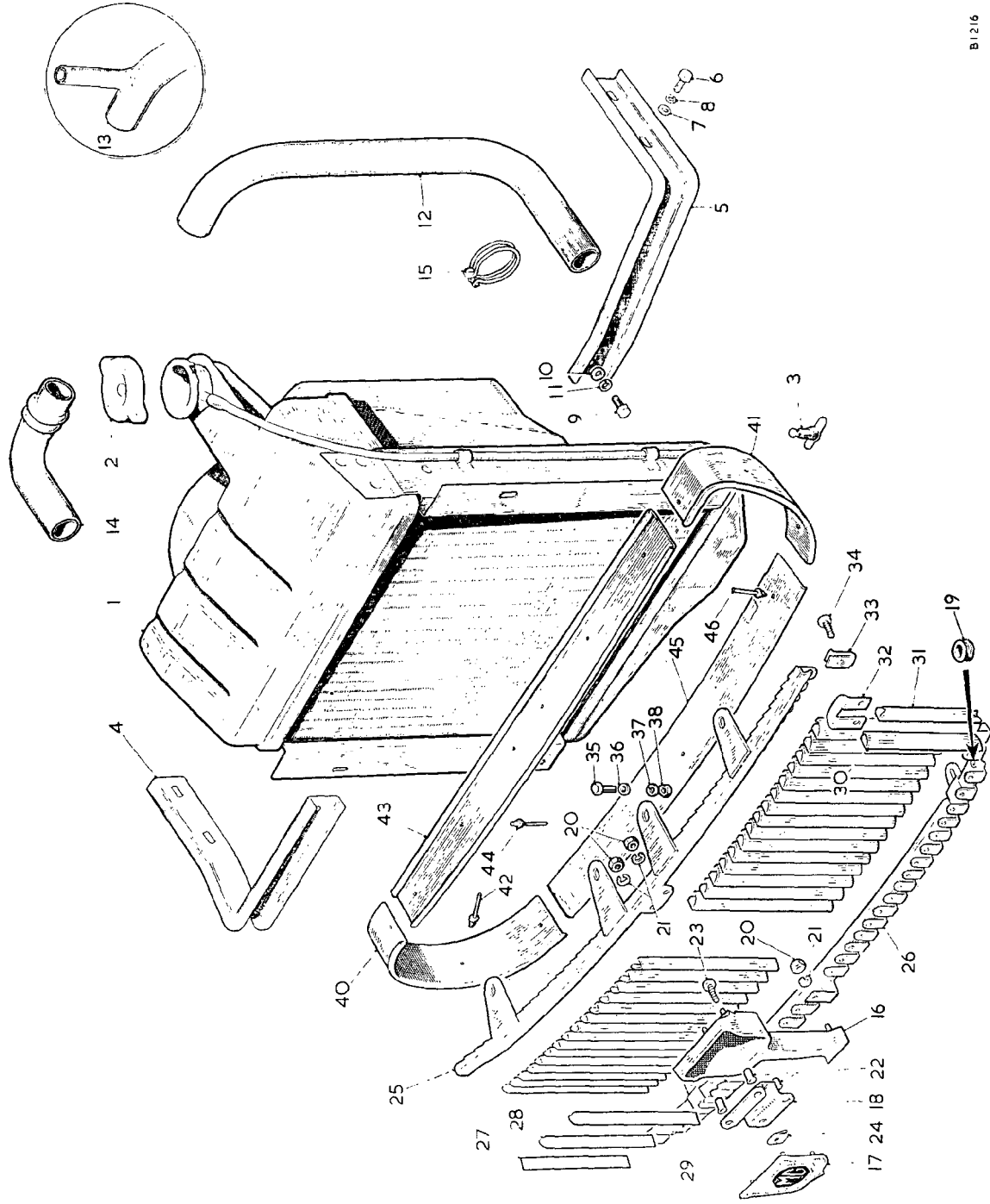
When heater is fitted



**SERVICE PARTS LIST**

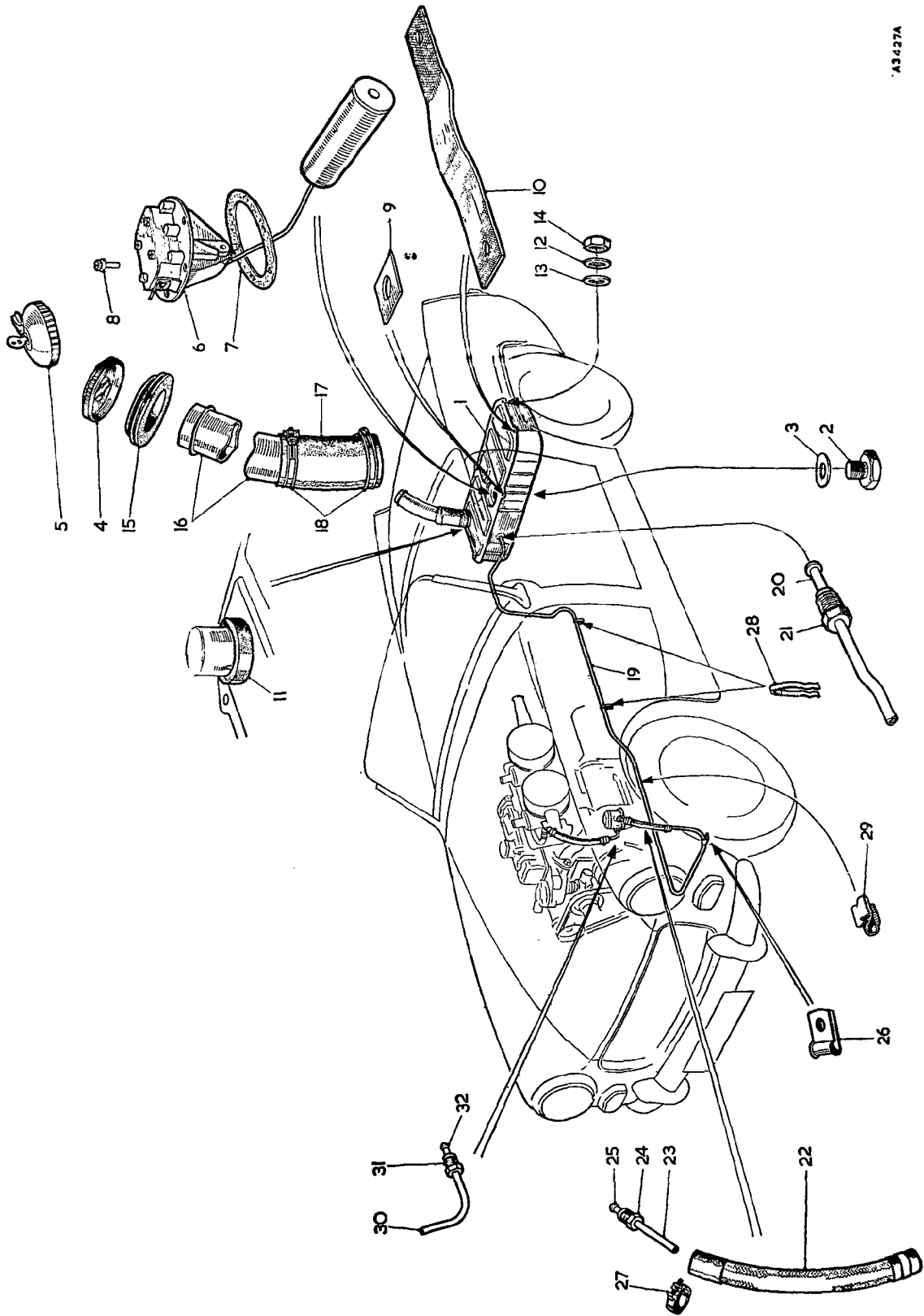
**THE M.G. MIDGET**

Item No.	DESCRIPTION	Commencing (C) GANI/101		Qty. per Veh.	MODIFICATIONS		REMARKS
		Part Number	Illus. No.		New Part Number	Change Point	
1							
2							
3							
4							
5							
6							
7							
8							
9							
10							
11							
12							
13							
	<b>Cooling System—continued</b>						
	Screw—grille to body ( $\frac{1}{4}$ " [12.7 mm.])	PMZ0408	35	4			
	Screw—grille to body ( $\frac{3}{8}$ " [15.87 mm.])	PMZ0410		2			
	Washer—plain—screw	PWZ104	36	6			
	Washer—spring—screw	LWZ204	37	6			
	Nut—screw	FNZ104	38	4			
	Grommet—blanking—grille lower	RFN204	39	4			
	<b>Finisher—grille surround—RH</b>	AHA5512	40	1			
	Finisher—grille surround—LH	AHA5513	41	1			
	Rivet—finisher to wing	DMP0829	42	6			
	<b>Finisher—grille surround—upper</b>	AHA5514	43	1			
	Rivet—finisher to bonnet panel	DMP0819	44	6			
	<b>Finisher—grille surround—lower</b>	AHA5515	45	1			
	Rivet—finisher to body	DMP0819	46	4			
							Part No. change; was 6K0788
							Part No. change; was ADB2582
							Part No. change; was ADB2582



B1216

To face page C.2



A3437A

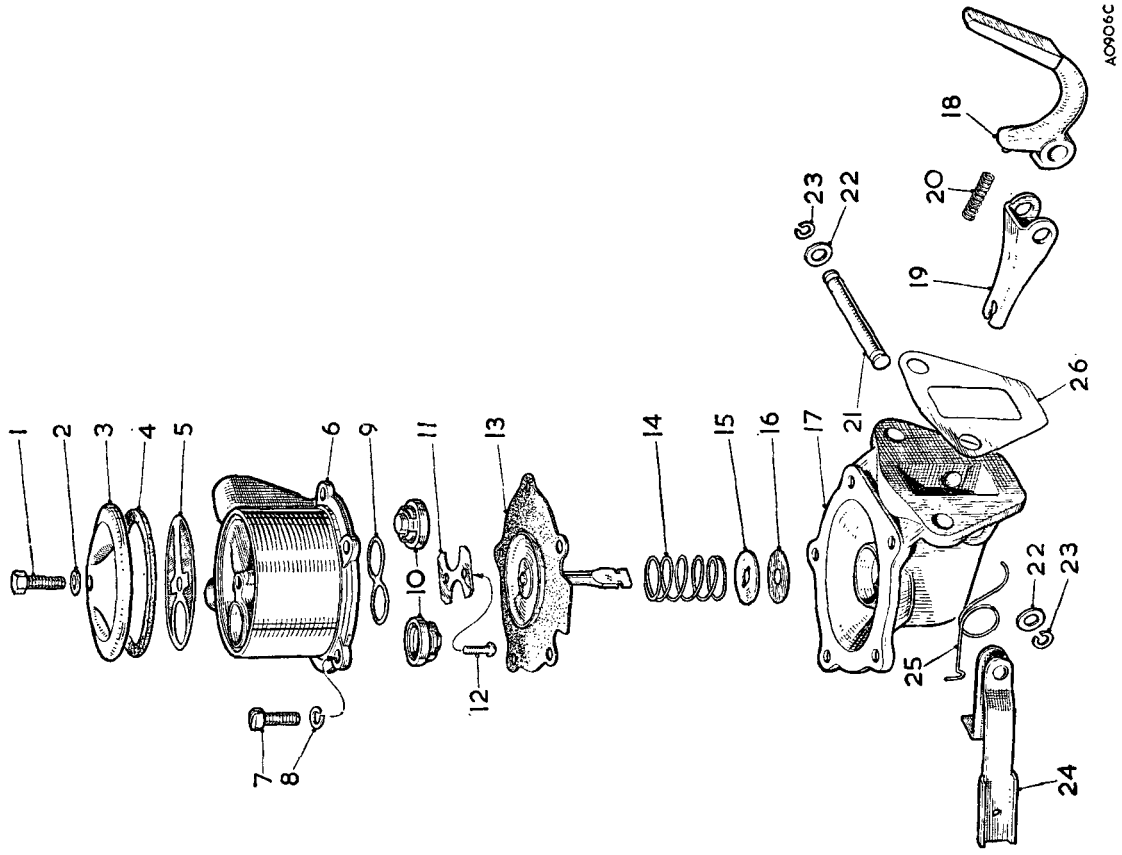
To face page D.1

**SERVICE PARTS LIST**

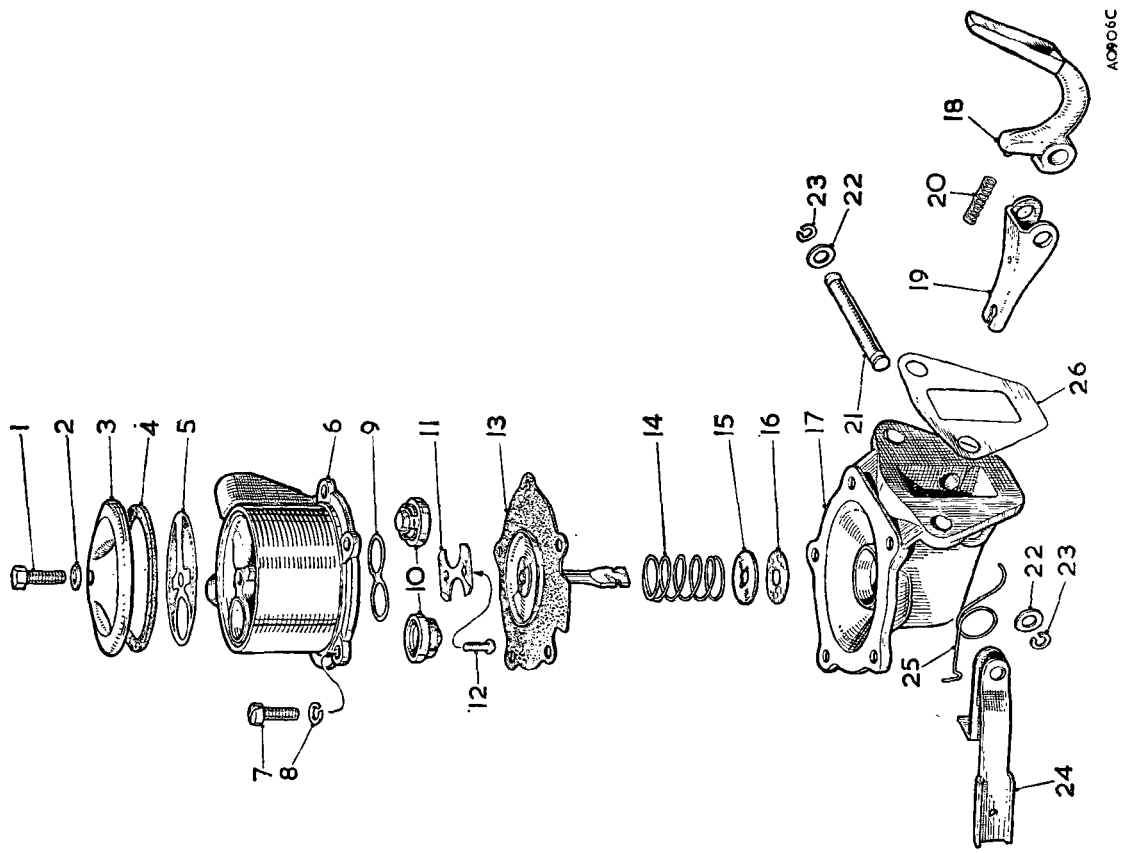
**THE M.G. MIDGET**

Item No.	DESCRIPTION	Commencing GANI/101 (C)		Qty. per Veh.	MODIFICATIONS		REMARKS
		Part Number	Illus. No.		New Part Number	Change Point	
	<b>FUEL SYSTEM</b>						
	<b>FUEL TANK</b>						
1	Tank—fuel		1	1			
2	Plug—drain	ARA114	2	1			
3	Washer—drain plug	ARR672	3	1			
4	Cap—filler	ARA949	4	1			
5	Cap—filler (complete with lock)	8G654	5	1			
6	Unit—tank—fuel gauge	2A504	6	1			Optional extra
7	Washer—joint—tank unit	21A168	7	1			
8	Screw (with captive washer)—tank unit to tank	2H1082	8	6			
9	Washer—small—tank mounting	ARG923	9	2			
10	Washer—large—tank mounting	2A2070	10	2			
11	Ring—sealing—tank to floor	2A2069	11	1			
12	Washer—shakeproof—tank to floor	LWN405	12	6			
13	Washer—plain—tank to floor	PWZ105	13	6			
14	Nut—tank to floor	FNZ105	14	6			
15	Grommet—tank filler	AHA5445	15	1			
16	Tube—filler	AHA5662	16	1			
17	Hose—filler tube neck (rubber)	AHA5663	17	1			
18	Clip—hose to filler tube	8G505	18	2			
	<b>FUEL PIPES</b>						
19	Pipe—tank to flexible pipe	AHA5536	19	1			
20	Nipple	ACA5129	20	1			
21	Nut	ACA5128	21	1			
22	Pipe—flexible	BRT2413	22	1			Part No. change; was 21A206
23	Pipe—flexible pipe to pump	AHA5535	23	1			
24	Nut	6K648	24	1			
25	Olive	6K685	25	1			
26	Clip—pipe to LH engine mounting bracket bolt	PCR0411	26	1			
27	Clip—flexible pipe to Bundy pipe	ACH5854	27	2			
28	Clip—pipe	6K85	28	2			
29	Clip—pipe	17H9525	29	3			
30	Pipe—pump to carburettor feed pipe	AEA582	30	1			
31	Nut	6K648	31	1			For components fitted to 1098 c.c. engine see Power Unit publication
32	Olive	6K685	32	1			AKD3411





AD906C



# SERVICE PARTS LIST

# THE M.G. MIDGET

Item No.	DESCRIPTION	Commencing (E) 9CC-Da-H101		Qty. Per Veh.	MODIFICATIONS		REMARKS
		Part Number	Illus. No.		New Part Number	Change Point	
<p>     </p> <p><b>FUEL PUMP REPAIR KITS</b></p>							
1	<b>Kit—fuel pump repair—primary</b>	<b>862205</b>		1			
2	Gasket—cover screw		2				
3	Gasket—filter cover		4				
4	Gasket—valve		9				
5	Valve assembly		10		2		
6	Diaphragm assembly		18		1		
7	Gasket—engine pad		26		1		
8	<b>Kit—fuel pump repair—major</b>		<b>862206</b>		1		
9	Gasket—cover screw	2					
10	Gasket—filter cover	4					
11	Gauze—filter	5			1		
12	Gasket—valve	9					
13	Valve—assembly	10			2		
14	Retainer—valve	11			1		
15	Screw—retainer	12			2		
16	Diaphragm assembly	18			1		
17	Washer—oil seal (metal)	15			1		
18	Washer—oil seal (fabric)	16			1		
19	Arm—rocker	18			1		
20	Link—rocker arm	19			1		
21	Spring—rocker arm	20			1		
22	Pin—rocker arm	21			1		
23	Washer—pin	22			2		
24	Clip—pin	23			2		
25	Gasket—engine pad	26		1			
					Fin. (E) 9CC-Da-H86711		
<p>For fuel pump fitted to 1098 c.c. engine see Power Unit publication AKD3411.</p>							

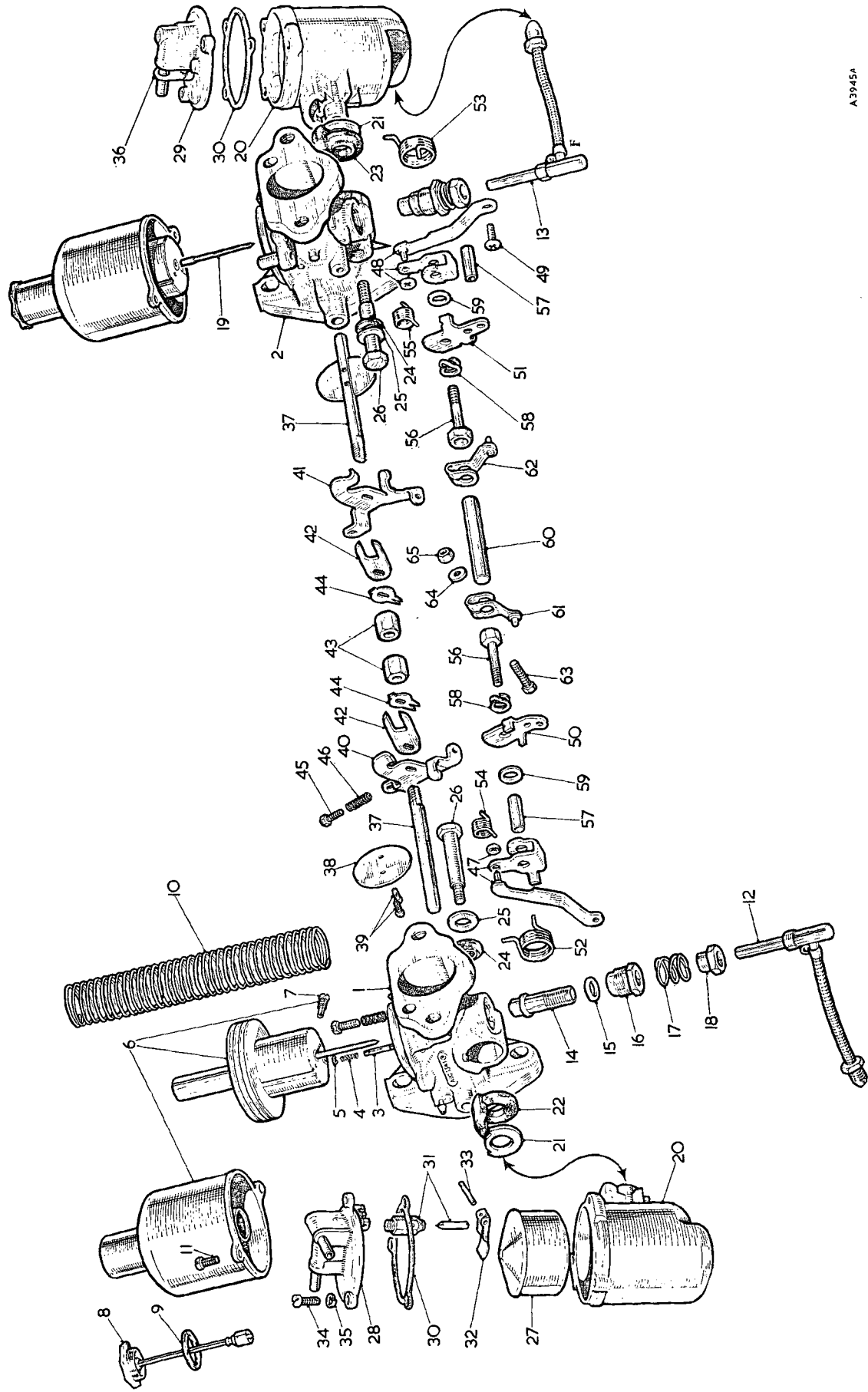


**SERVICE PARTS LIST**

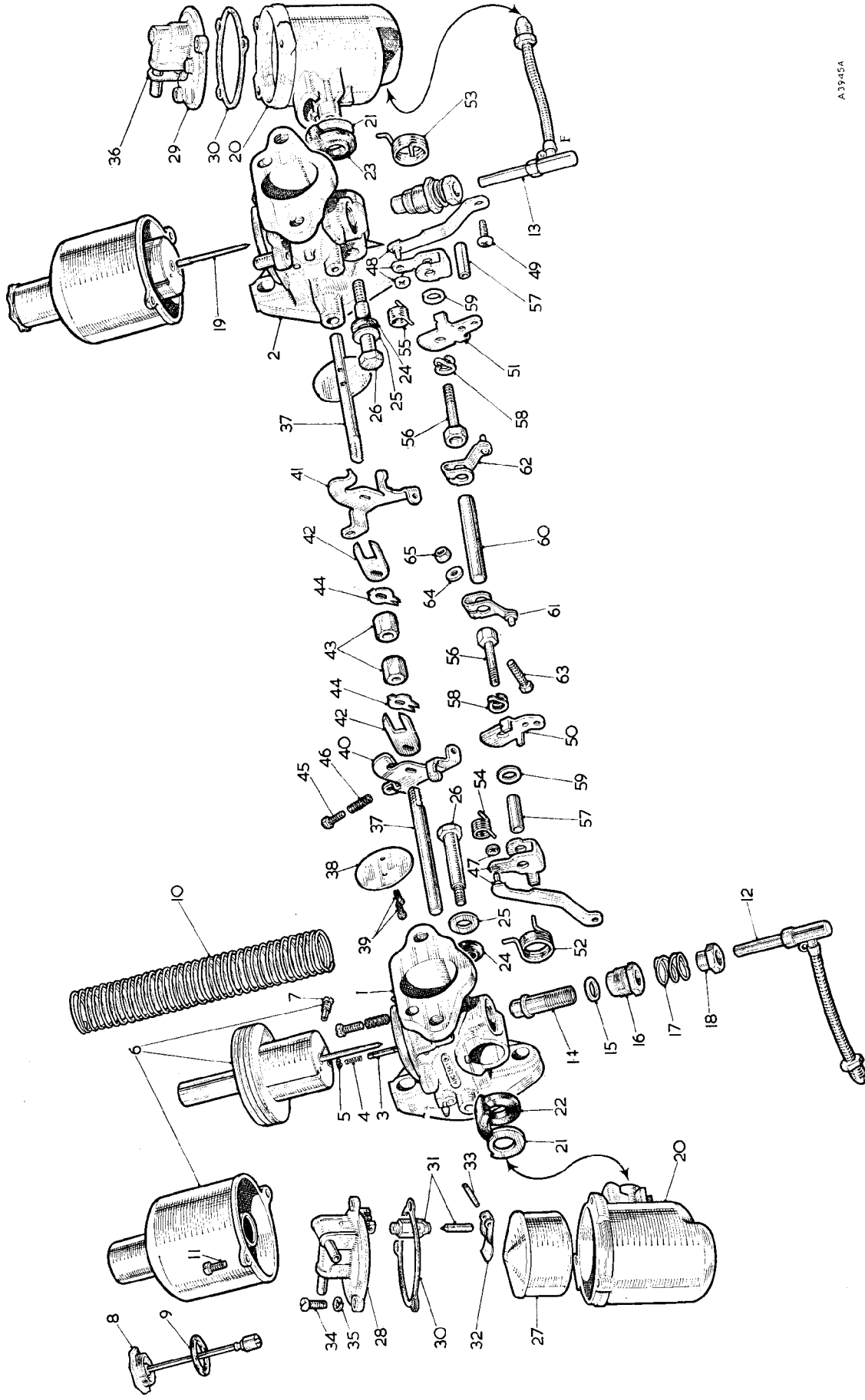
**THE M.G. MIDGET**

Item No.	DESCRIPTION	Commencing (E) 9CG-Da-11101		Qty. per Veh.	New Part Number	MODIFICATIONS		REMARKS
		Part Number	Illus. No.			Change Point		
	<b>CARBURETTER</b>							
1	Carburetter complete	<b>AUC990</b>		<b>1 pr.</b>				
2	Carburetter assembly—front	<b>AUC9110</b>		1				
3	Carburetter assembly—rear	<b>AUC8700</b>	1	1				
4	Body—front carburetter	<b>AUC8719</b>	3	2				
5	Body—rear carburetter	<b>AUC8464</b>	4	2				
6	Pin—piston lifting	<b>AUC1151</b>	5	2				
7	Spring—pin	<b>AUC1250</b>	6	2				
8	Circlip—pin	<b>AUC8044</b>		2				Alternatives
9	<b>Chamber and piston assembly</b>	<b>AUD9181</b>		2				
10	<b>Chamber and piston assembly</b>	<b>AUC2057</b>		2				
11	Screw—needle locking	<b>AUC8114</b>	8	2				
12	<b>Cap and damper assembly</b>	<b>AUC4900</b>	9	2				
13	Washer—cap (fibre)	<b>AUC4587</b>	10	2				
14	Spring—piston—light blue	<b>AUC5156</b>	11	4				
15	Screw—chamber to body	<b>AUC8780</b>	12	1	<b>AUD9141</b>			<b>AUC8780 not available; use AUD9141</b>
16	<b>Jet assembly—front carburetter</b>	<b>AUC8781</b>	13	1	<b>AUD9142</b>			<b>AUC8781 not available; use AUD9142</b>
17	<b>Jet assembly—rear carburetter</b>	<b>AUC8460</b>	14	2				
18	Bearing—jet	<b>AUC8478</b>	15	2				
19	Washer—jet bearing (brass)	<b>AUC2002</b>	16	2				
20	Screw—jet locking	<b>AUC2114</b>	17	2				Fin. (E) 9CG-Da-H36711
21	Spring—jet locking	<b>AUC8461</b>	18	2				
22	Screw—jet adjusting	<b>AUD1411</b>	19	2				
23	<b>Needle—V3—standard—jet</b>	<b>AUD1410</b>	20	2				
24	<b>Needle—V2—rich—jet</b>	<b>AUD1227</b>	21	2				
25	<b>Needle—GX—weak—jet</b>	<b>AUC1810</b>	21	2				
26	Chamber—float	<b>AUC1329</b>	22	1				
27	Washer—support	<b>AUC1867</b>	23	1				
28	Grommet—front carburetter (rubber)	<b>AUC1866</b>	24	2				
29	Grommet—rear carburetter (rubber)	<b>AUC1818</b>	25	2				
30	Washer (rubber)	<b>AUC1817</b>	26	2				
31	Washer (steel)	<b>AUC1873</b>	27	2				
32	Bolt—float-chamber fixing	<b>AUC8453</b>	28	1				
33	<b>Float</b>	<b>AUC8792</b>	29	1				
34	Lid—front carburetter	<b>AUC8971</b>	30	2				
35	Lid—rear carburetter	<b>AUC8459</b>	31	2	<b>AUD9096</b>			<b>Com. (E) 9CG-Da-H32074</b> <b>Fin. (E) 9CG-Da-H36711</b>
36	Washer—lid	<b>AUC8091</b>	32	2				<b>Fin. (E) 9CG-Da-H36711</b>
37	<b>Needle and seat assembly</b>		33	2				
38	Lever—hinged	<b>AUC8475</b>	34	6				
39	Pin—hinged lever	<b>AUC1152</b>	35	6				
40	Screw—lid	<b>AUC2175</b>						
41	Washer—spring—screw	<b>AUC2246</b>						

For carburetter fitted to 1098 c.c. engine see Power Unit publication AKD3411.



A 3945A



A3945A

# SERVICE PARTS LIST

# THE M.G. MIDGET

Item No.	DESCRIPTION	Commencing (E) 9CG-Da-H101		Qty. per Veh.	MODIFICATIONS		REMARKS
		Part Number	Illus. No.		New Part Number	Change Point	
1	<b>Carburettor—continued</b>						
2	Plate—lid—baffle	AUC1215	36	2			
3	Spindle—throttle	AUC8469	37	2			
4	Disc—throttle	AUC2169	38	2			
5	Screw—disc	AUC1858	39	4			
6	Lever—throttle return—front carburettor	AUC1145	40	1			
7	Lever—throttle return—rear carburettor	AUD2101	41	1			
8	Lever—lost motion	AUC1400	42	2			
9	Nut—lever	AUC1424	43	2			
10	Washer—tab—nut	AUC1206	44	2			
11	Screw—throttle stop	AUC8483	45	4			
12	Spring—throttle stop screw	AUC2451	46	4			
13	<b>Lever and link assembly—pick-up—front carburettor</b>	<b>AUD9004</b>	<b>47</b>	<b>1</b>			
14	<b>Lever and link assembly—pick-up—rear carburettor</b>	<b>AUD9005</b>	<b>48</b>	<b>1</b>			
15	Lever—pick-up—front carburettor	AUC8457		1			
16	Lever—pick-up—rear carburettor	AUC1874		1			
17	Link—front carburettor	AUC1441		1			
18	Link—rear carburettor	AUC1442		1			
19	Washer—starlock—link	AUC5002		2			
20	Screw—link to jet	AUD2104	49	2			
21	Lever—cam—front carburettor	AUC8456	50	1			
22	Lever—cam—rear carburettor	AUC1871	51	1			
23	Spring—pick-up lever—front carburettor	AUC8462	52	1			
24	Spring—pick-up lever—rear carburettor	AUC1375	53	1			
25	Spring—cam lever—front carburettor	AUC8468	54	1			
26	Spring—cam lever—rear carburettor	AUC1520	55	1			
27	Bolt—lever pivot	AUC1426	56	2			
28	Tube—bolt	AUC8473	57	2			
29	Washer—spring—bolt	AUC8474	58	2			
30	Washer—distance	AUC5032	59	2			
31	Rod—jet connecting	AUC1457	60	1			
32	<b>Lever and pin assembly—throttle and jet connecting—RH</b>	<b>AUE87</b>	<b>2</b>	<b>2</b>			
33	<b>Lever and pin assembly—throttle and jet connecting—LH</b>	<b>AUE86</b>	<b>2</b>	<b>2</b>			
34	Lever and pin assembly—RH	AUD9002	61	2			
35	Lever and pin assembly—LH	AUC8965	62	2			
36	Bolt—lever	AUC2694	63	4			
37	Washer—bolt	AUC8306	64	4			
	Nut—bolt	AJD800Z	65	4			
<p>For carburettor fitted to 1098 c.c. engine see Power Unit publication AKD3411.</p>							

No longer available; use AUE87  
No longer available; use AUE86

Part No. Change, was AUC2156

No longer available; use AUD9004  
and AUD9005

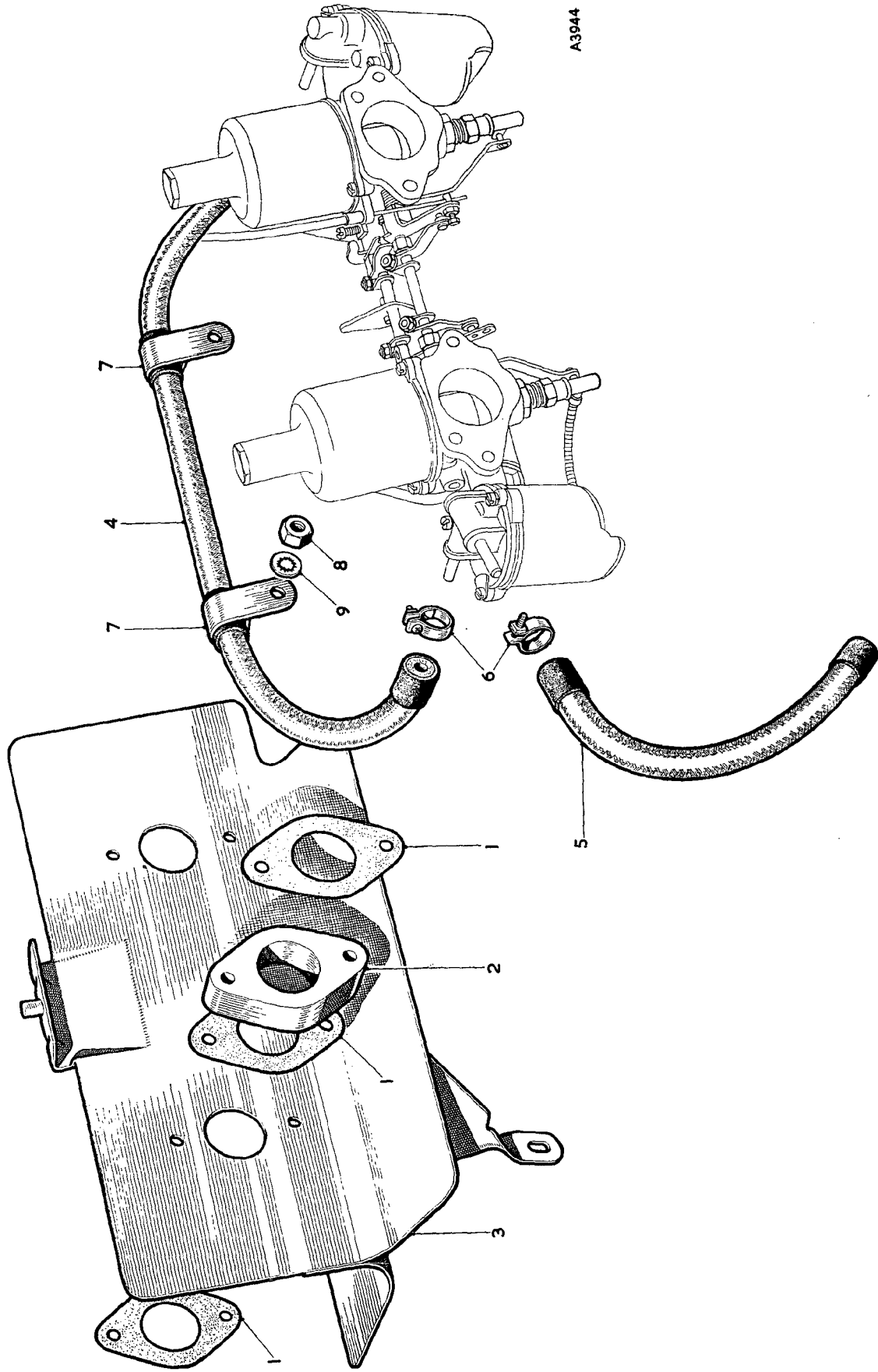
Fin. (E) 9CG-Da-H36711

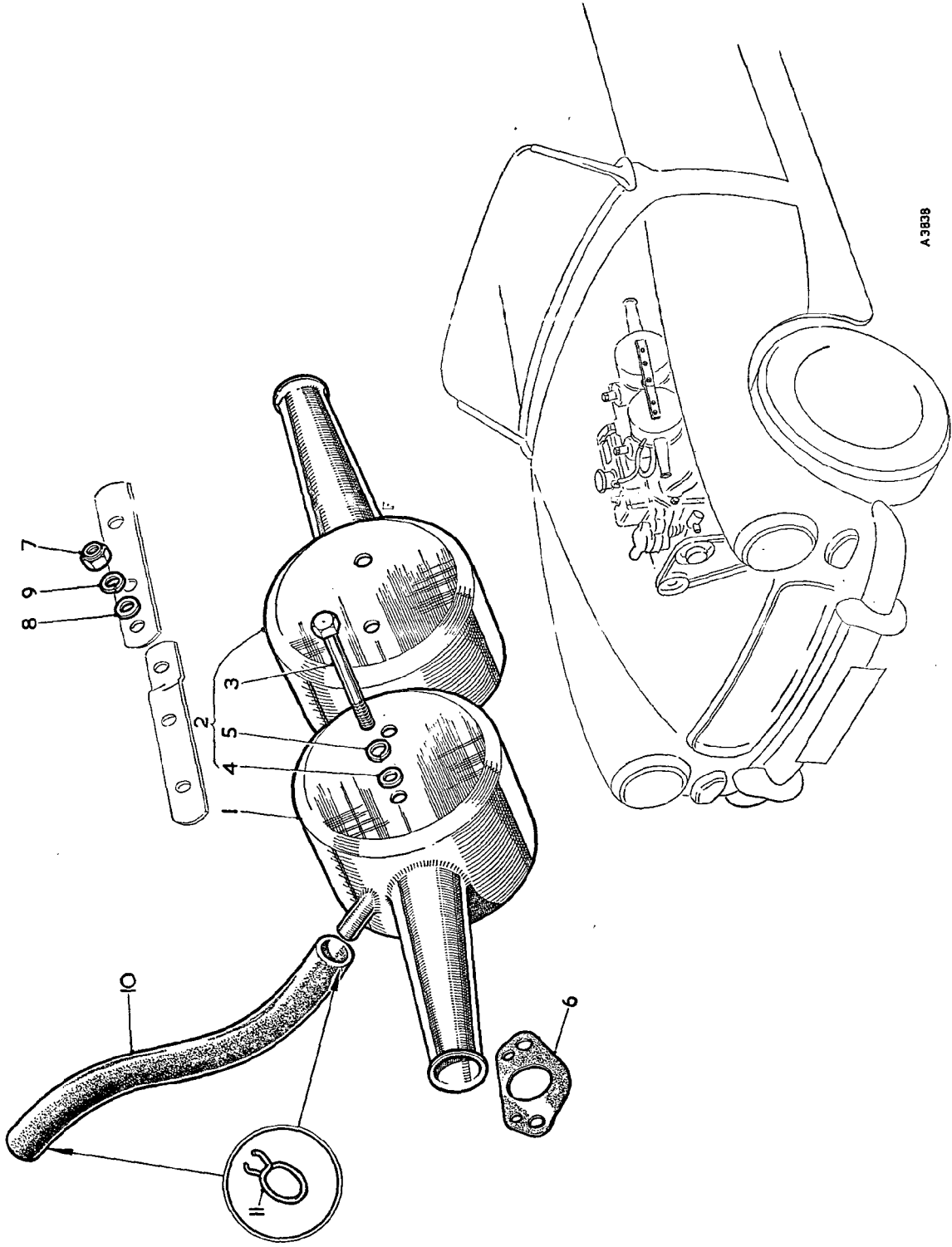
**SERVICE PARTS LIST**

**THE M.G. MIDGET**

Item No.	DESCRIPTION	Commencing (E) 9CG-Da-11101		Qty. per Veh.	MODIFICATIONS		REMARKS
		Part Number	Illus. No.		New Part Number	Change Point	
1	Joint—carburettor and heat shield	IG2624	1	6			
2	Washer—insulating	AEA586	2	2			
3	Shield—heat—carburettor and fuel pump	<b>AEA592</b>	3	1			
4	Pipe—carburettor to carburettor	<b>AEA588</b>	4	1			
5	Pipe—fuel pump to carburettor	<b>1H2181</b>	5	1	<b>11H127</b>	<b>Fin. (E) 9CG-Da-H36711</b>	<b>1H2181 not available; use 11H127</b>
6	Clip—fuel pipe	ACH5854	6	4			
7	Clip—fuel pipe support	AEA589	7	2			
8	Nut—carburettor stud	FNZ106	8	4			
9	Washer—spring—nut	LWZ206	9	4			

For 1098 c.c. engine components see Power unit publication AKD3411.



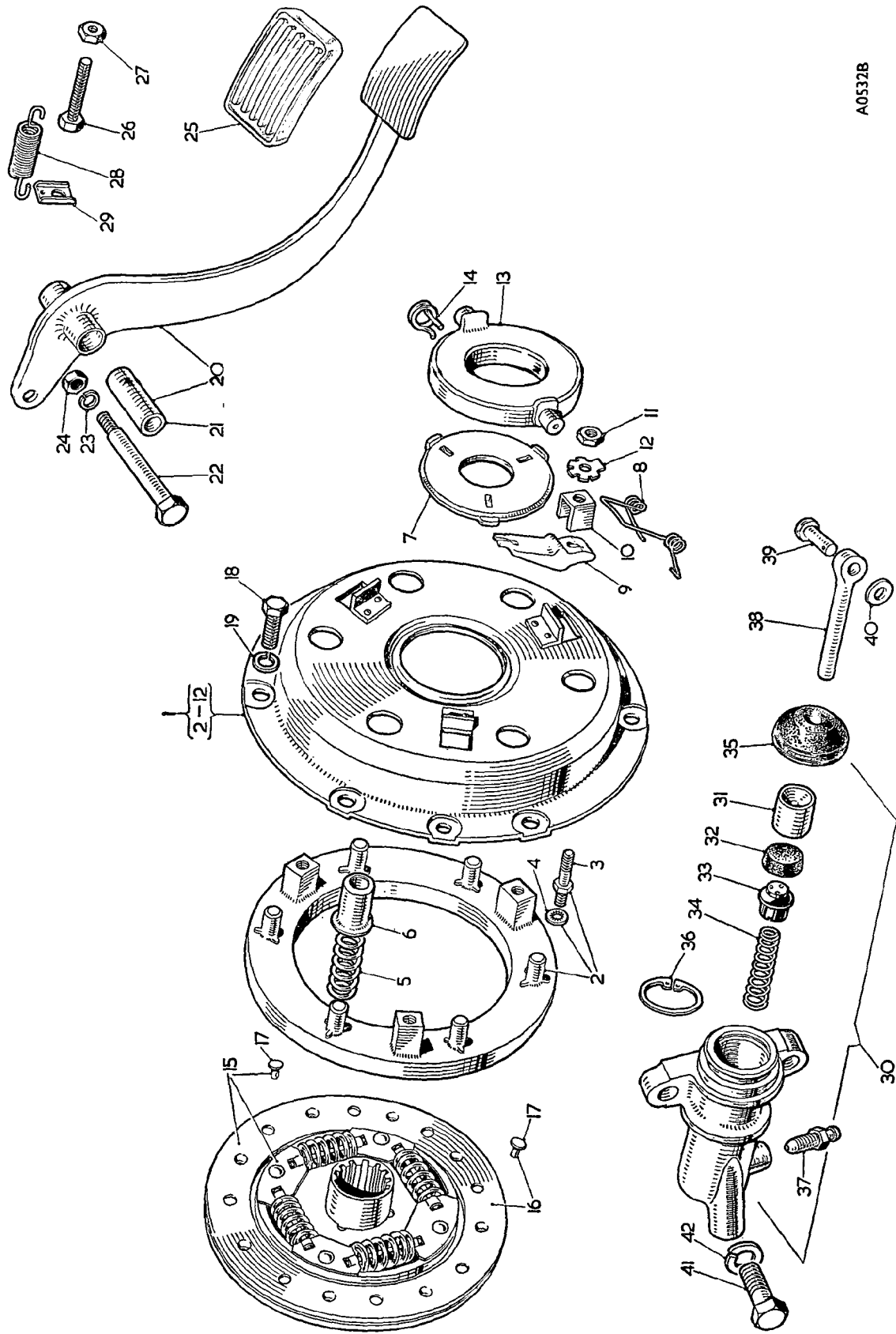


**SERVICE PARTS LIST**

**THE M.G. MIDGET**

Item No.	DESCRIPTION	Commencing (C) GANI/101		Qty. Per Veh.	MODIFICATIONS		REMARKS
		Part Number	Illus. No.		New Part Number	Change Point	
1	Cleaner—air—front	<b>AHA5873</b>	1	1			
2	Cleaner—air—rear	<b>AHA5874</b>	2	1			
3	Element	87H782	3	2			
4	Bolt—air cleaner to carburetter	HBZ0836	4	4			
5	Washer—plain—bolt	PWZ105	4	4			
6	Washer—spring—bolt	LWZ205	5	4			
7	Washer—joint—air cleaner to carburetter	ACA8014	6	2			
8	Nut—front air cleaner strap to rear air cleaner strap	LNZ205	7	1			
9	Washer—plain—nut	PWZ205	8	1			
10	Washer—spring—nut	LWZ205	9	1			
11	Pipe—air cleaner to rocker cover	<b>AHA5830</b>	10	1			
12	Clip—pipe	ACA5290	11	2			





A0537B

**SERVICE PARTS LIST**

**THE M.G. MIDGET**

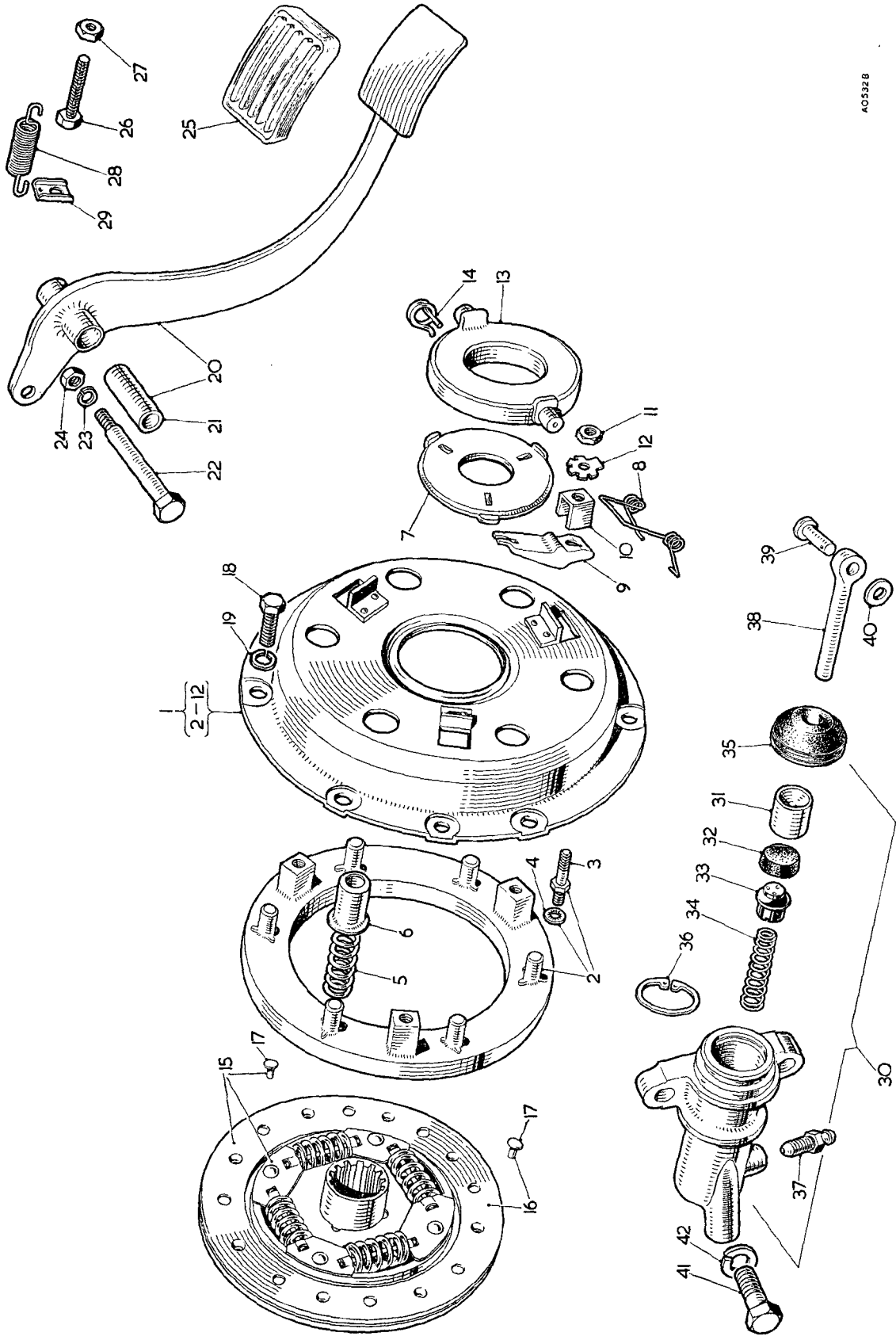
Item No.	DESCRIPTION	Commencing (E) 9CG-Da-H101		Qty. per Veh.	MODIFICATIONS		REMARKS
		Part Number	Illus. No.		New Part Number	Change Point	
1	Cover assembly	AEA355	1	1			
2	Plate—pressure	7H3036	2	1	22A218		Part No. change; was 27H3183
3	Stud—pressure plate	7H3028	3	3	27H3275		
4	Washer—shakeproof—stud	LWN405	4	3			Part No. change; was 7H7462
5	Spring—thrust (yellow and dark green)	27H3101	5	6			
6	Cup—thrust spring	7H3221	6	6			
7	Plate—thrust	27H3177	7	1			
8	Retainer—thrust plate	7H3025	8	3			
9	Lever—release	7H3029	9	3			
10	Plate—bearing—release lever	7H3181	10	3			
11	Nut—pressure plate stud	7H3031	11	3			
12	Washer—tab—nut	7H3222	12	3			
13	Bearing and cap assembly—release	7H3166	13	1			
14	Spring—release bearing retaining	7H3185	14	2			
15	Plate assembly—driven	27H3231	15	1			
16	Lining and rivets	8G3345	16	1 set			
17	Rivet	7H3004	17	18			
18	Screw—clutch to flywheel	5LK2036	18	6			
19	Washer—spring—screw	2K5319	19	6			
20	Cylinder—clutch	13H135	30	1	22A233		
21	Body	NSP		1			
22	Piston	17H7539	31	1	17H7841		
23	Cup—piston	7H7923	32	1	17H7868		For 7H7923 use 17H7868 for this application
24	Filler—piston cup	17H7540	33	1			Not available; use 17H7580
25	Spring—cup filler	17H7541	34	1			
26	Boot	17H7268	35	1			
27	Circlep	87H831	36	1			
28	Screw—bleeder	3H2428	37	1			
29	Kit—clutch cylinder repair	8G3146	37	1			
30	Cup—piston			1			
31	Boot			1			
32	Push-rod	13H121	38	1			
33	Pin—clevis—push-rod to clutch withdrawal lever	CLZ0517	39	1			
34	Washer—plain—clevis pin	PWZ105	40	1			
35	Bolt—clutch cylinder to gearbox	53K152	41	2			
36	Washer—spring—bolt	LWZ305	42	2			
<p><b>For clutch and clutch cylinder fitted to 1098 c.c. engine see Power Unit publication AKD3411</b></p>							

**SERVICE PARTS LIST**

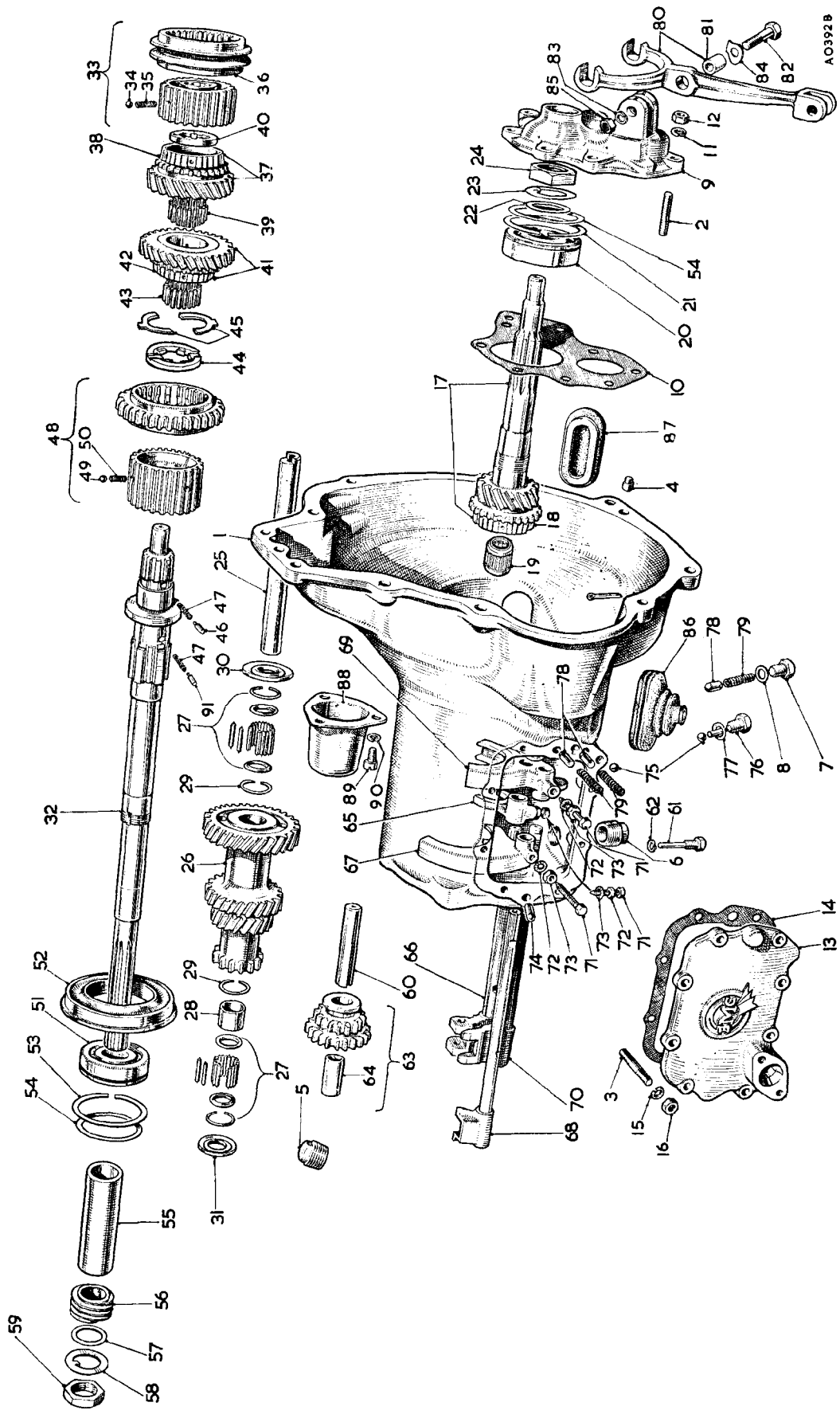
**THE M.G. MIDGET**

Item No.	DESCRIPTION	Commencing (C) GANI/101		Qty. Per Veh.	MODIFICATIONS		REMARKS
		Part Number	Illus. No.		New Part Number	Change Point	
1	Pedal—clutch	AHA5431	20	1	AHA6408	Com. (C) 13404	
2	Bush	2A5564	21	1			
3	Bolt—clutch and brake pedal	2A5568	22	1			
4	Washer—spring—bolt	LWZ205	23	1			
5	Nut—bolt	FNZ105	24	1			
6	Pad—pedal (rubber)	AHA5326	25	1			
7	Screw—pedal adjustment	HZS0408	26	1			
8	Locknut—screw	FNZ204	27	2			
9	Spring—pedal return	2A5574	28	1			
10	Retainer—return spring	2A5573	29	1			
11	Push-rod—master cylinder						
12	Locknut—push-rod						
13	Fork end—push-rod						
14	Pin—clevis—fork end to pedal						
15	Circlip—clevis pin						

See page M.2



AO532B



**SERVICE PARTS LIST**

**THE M.G. MIDGET**

Item No.	DESCRIPTION	Commencing (E) 9CG-Da-H101		Qty. Per Veh.	MODIFICATIONS		REMARKS
		Part Number	Illus. No.		New Part Number	Change Point	
	<b>GEAR BOX</b>						
	*Cones are machine-finished after being shrunk on gears. Supplied loose where facilities for these operations exist. (Assemblies must always be supplied for Export).						
1	<b>Gearbox assembly</b>	AEA3031		1	AEA3021	Com. (E) 9CG-Da-H2140	
2	Case assembly	28G87	1	1	28G152	Fin. (E) 9CG-Da-H36711	
3	Stud—front cover	53K463	2	7			
4	Stud—side cover	53K463	3	8			
5	Dowel	1C752	4	1			
6	Plug—filler	2K5830	5	1		Fin. (E) 9CG-Da-H36711	
7	Plug—drain	2K5830	6	1			
8	Plug—reverse plunger spring	6K643	7	1			
9	Washer—plug	2K4956	8	1			
10	<b>Cover—front</b>	2A3087	9	1	22A224	Com. (E) 9CG-Da-H2140	
11	Joint—front cover	2A3007	10	1		Fin. (E) 9CG-Da-H36711	
12	Washer—spring—front cover stud	LWN304	11	7			
13	Nut—front cover stud	FNZ104	12	7			
14	<b>Cover—side</b>	2A3285	13	1		Fin. (E) 9CG-Da-H36711	
15	Cover—side	22A170	14	1			
16	Joint—side cover	2A3286	14	1			
17	Washer—spring—side cover stud	LWN304	15	8			
18	Nut—side cover stud	FNZ104	16	8			
19	<b>Shaft with cone—1st motion</b>	AEA3022	17	1	AEA3032	Com. (G) 20330	
20	Cone—synchronizing	*2A3147	18	1	22A138	Fin. (E) 9CG-Da-H36711	
21	Bearing—needle-roller	AEA3203	19	1			
22	Bearing—ball journal—1st motion shaft	2A3245	20	1			
23	Ring—spring—ball journal bearing	6K558	21	1			
24	Washer—1st motion shaft	6K559	22	1			
25	Washer—locking—1st motion shaft	2A3035	23	1		Fin. (E) 9CG-Da-H36711	
26	Nut—1st motion shaft	2K6677	24	1			
27	<b>Layshaft</b>	8G664	25	1			
28	<b>Laygear</b>	22A207	26	1			
29	Bearing—needle-roller—with spring ring	3H2113	27	2			
30	Distance piece—bearing	2A3168	28	1			
31	Ring—spring—needle-roller bearing	2A3366	29	2			

For gearbox fitted to 1098 c.c. engine see Power Unit publication AKD3411

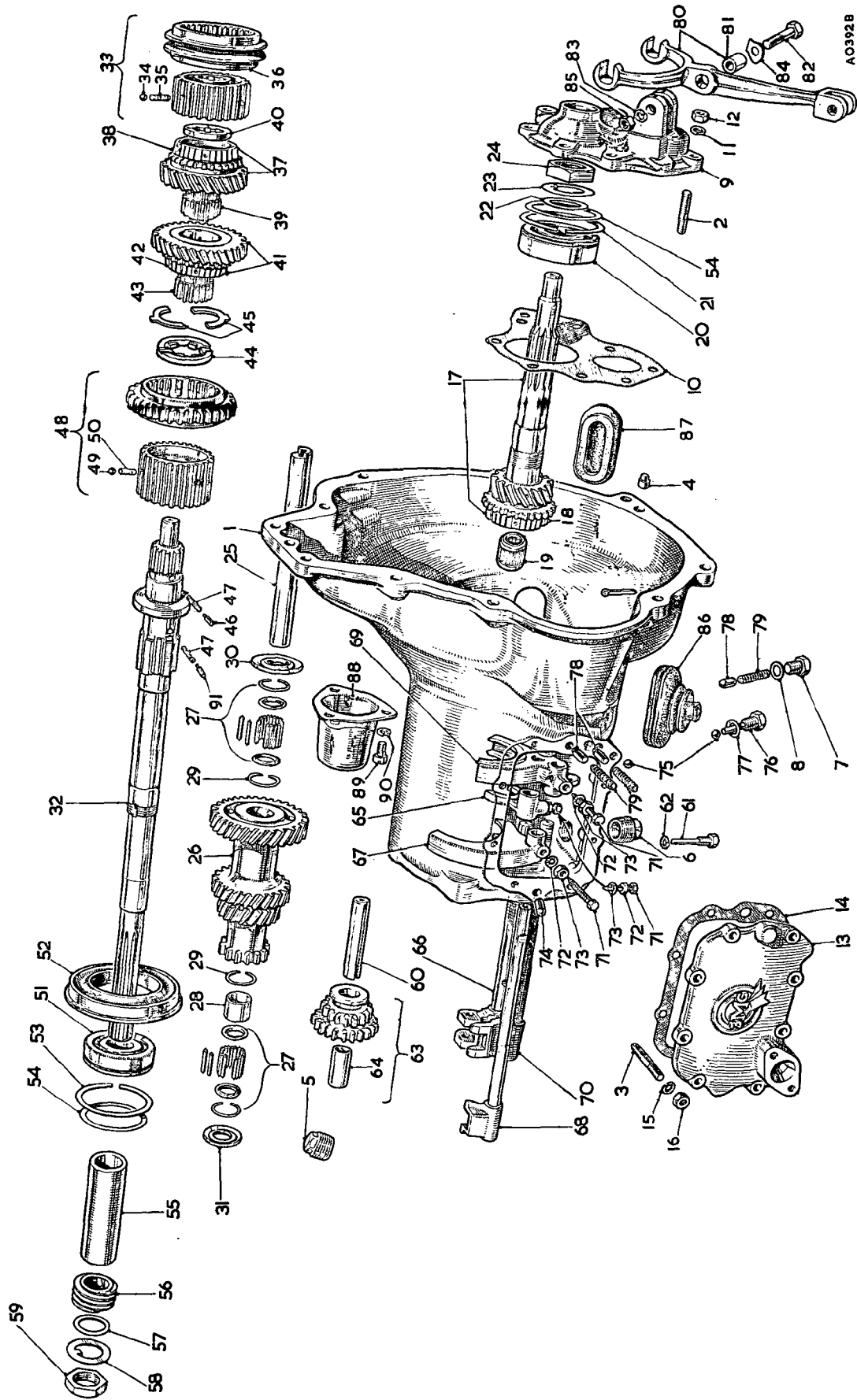
**SERVICE PARTS LIST**

**THE M.G. MIDGET**

Item No.	DESCRIPTION	Commencing (E) 9CG-Da-11101		Qty. per Veh.	New Part Number	MODIFICATIONS		REMARKS
		Part Number	Illus. No.			Change Point		
1	Washer—thrust—front	2A3023	30	A/R				
2	Washer—thrust—rear (123 to 124" [3-124 to 3-149 mm.]) *	2A3024	31	A/R				
3	Washer—thrust—rear (125 to 126" [3-175 to 3-200 mm.]) *	2A3025		A/R				
4	Washer—thrust—rear (127 to 128" [3-225 to 3-251 mm.]) *	2A3026		A/R				
5	Washer—thrust—rear (130 to 131" [3-301 to 3-326 mm.]) *	2A3027		A/R				
6	<b>Shaft—3rd motion</b>	<b>AEA3196</b>	<b>32</b>	<b>1</b>				
7	<b>Synchronizer assembly—3rd and 4th speed</b>	<b>28G134</b>	<b>33</b>	<b>1</b>				
8	Ball	BLS107	34	3				Alternatives
9	Spring—ball	2A3142	35	3				
10	Sleeve—3rd and 4th speed coupling	2A3145	36	1				
11	<b>Gear with cone—3rd speed</b>	<b>AEA3025</b>	<b>37</b>	<b>1</b>	<b>AEA3034</b>	<b>Com. (G) 20330</b>		
12	Cone—synchronizing	*2A3147	38	1	22A138	<b>Fin. (E) 9CG-Da-H36711</b>		
13	Roller—needle	AEA3201	39	28				
14	Collar—locking—3rd speed gear	AEA3204	40	1				
15	Peg—locking collar	AEA3207	41	1				
16	Spring—peg	2A3161	47	1				
17	<b>Gear with cone—2nd speed</b>	<b>AEA3024</b>	<b>41</b>	<b>1</b>	<b>AEA3033</b>	<b>Com. (G) 20330</b>		
18	Cone—synchronizing	*2A3147	42	1	22A138	<b>Fin. (E) 9CG-Da-H36711</b>		
19	Roller—needle	AEA3201	43	28				
20	Collar—locking—2nd speed gear	AEA3199	44	1				
21	Washer—locking collar	AEA3200	45	2				
22	Peg—locking collar	2A3160	46	1	22A195	Com. (E) 9CG-Da-H89513, L26638 Fin. (E) 9CG-Da-H36711		
23	Spring—peg	2A3161	47	1				
24	<b>Wheel assembly—1st speed</b>	<b>AEA3023</b>	<b>48</b>	<b>1</b>				
25	Wheel—1st speed	NSP		1				
26	Synchronizer—2nd speed	NSP		1				
27	Ball	BLS107	49	3				
28	Spring—ball	2A3142	50	3				
29	Bearing—ball journal—3rd motion shaft	2A3245	51	1				
30	Housing—bearing	2A3085	52	1				
31	Ring—spring—bearing	6K558	53	1				
For gearbox fitted to 1098 c.c. engine see Power Unit publication AKD3411								



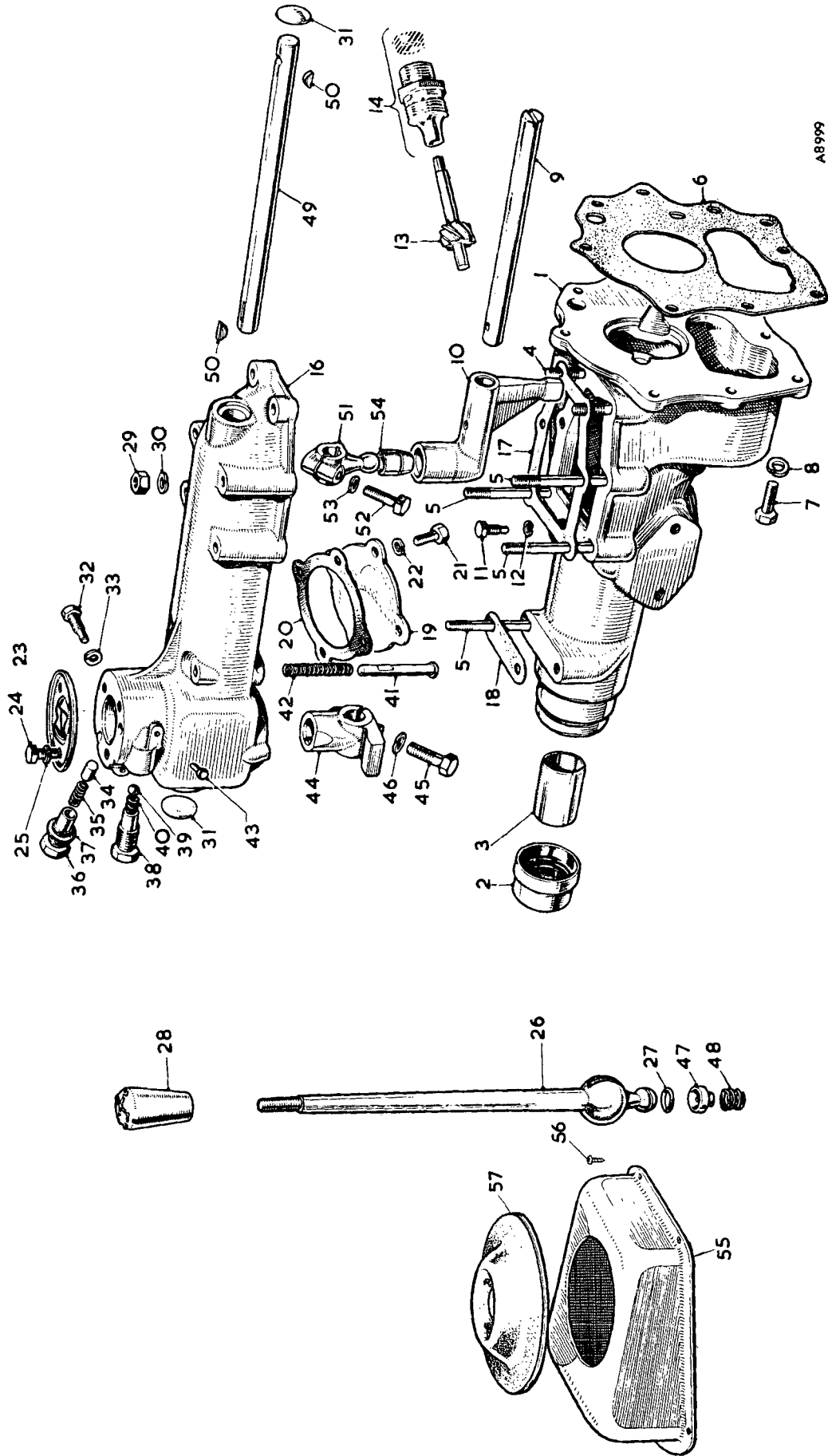




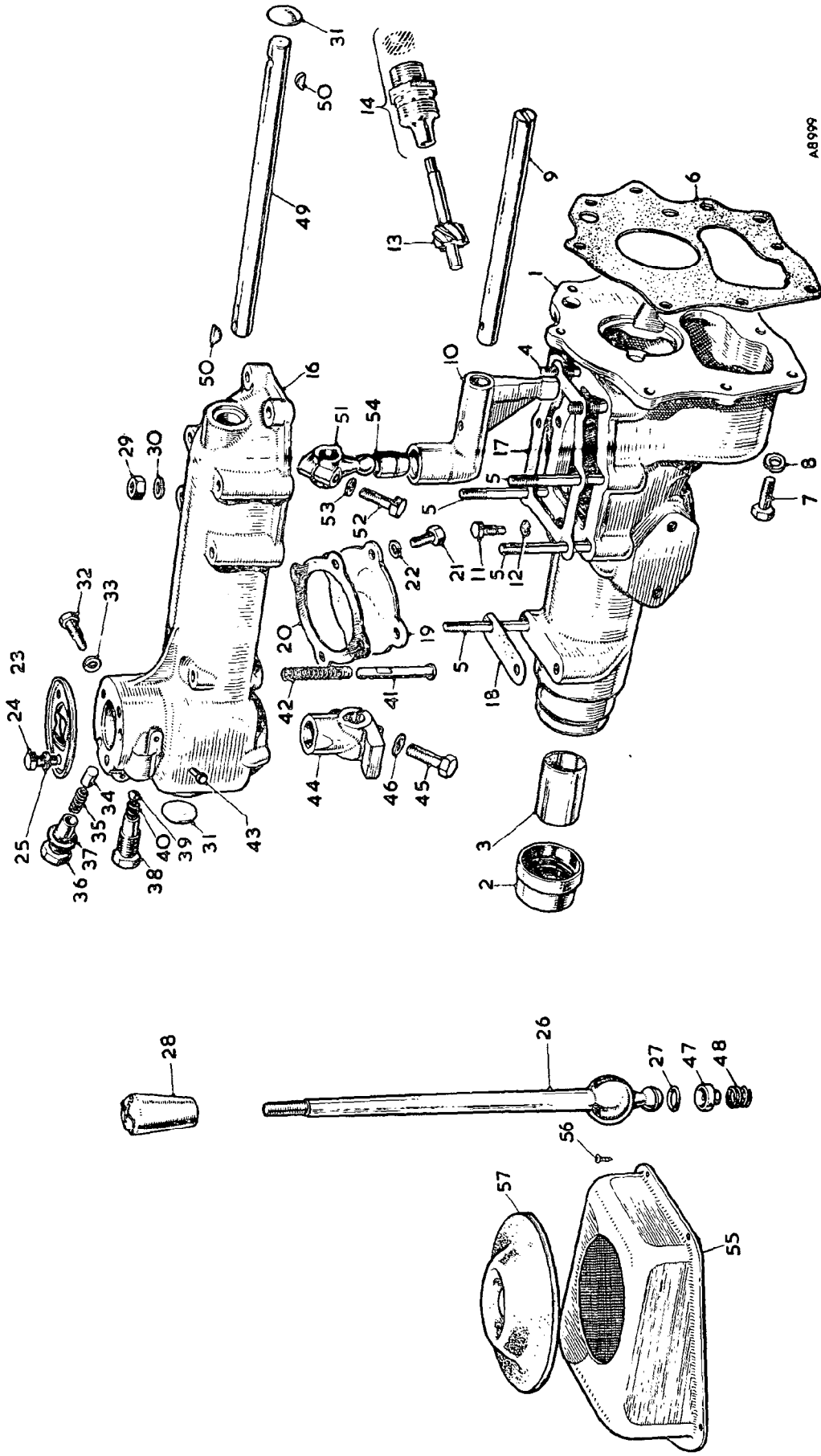
A0392B

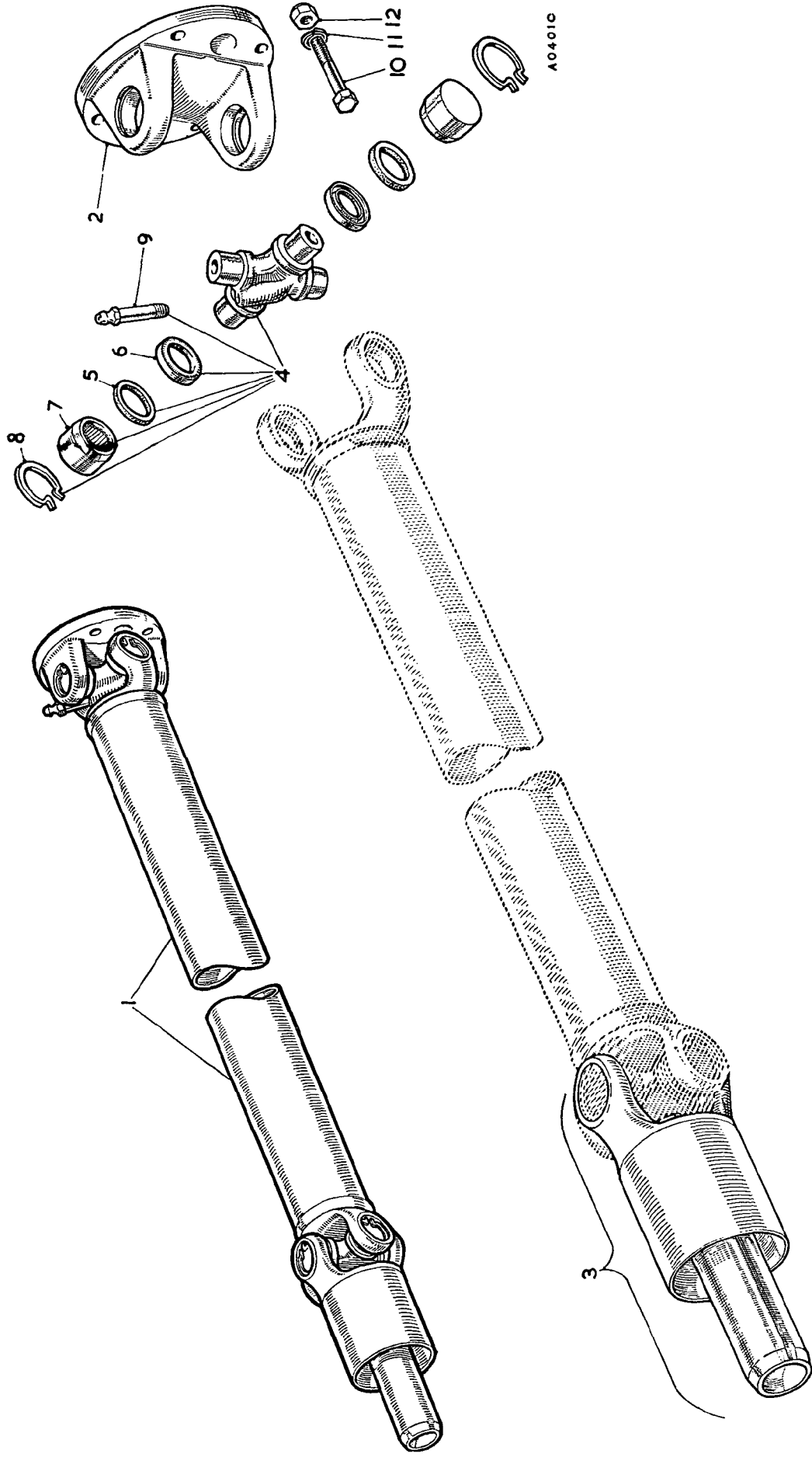






A8999

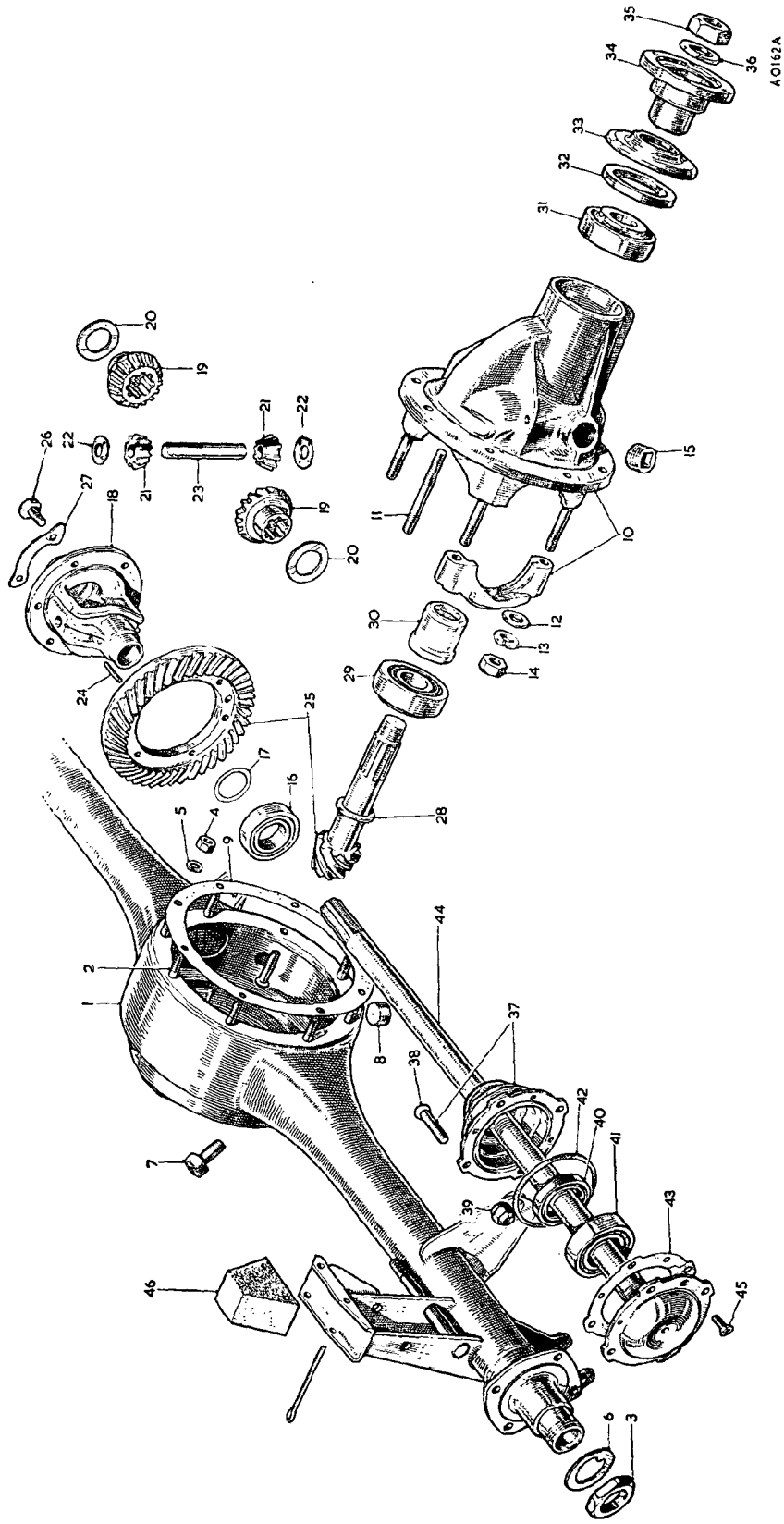




**SERVICE PARTS LIST**

**THE M.G. MIDGET**

Item No.	DESCRIPTION	Commencing (C) GANI/101		Qty. per Veh.	MODIFICATIONS		REMARKS
		Part Number	Illus. No.		New Part Number	Change Point	
1	Shaft assembly—propeller	2A1272	1	1			
2	Shaft	NSP	1	1			
3	Flange—yoke	17H8828	2	1			
4	Sleeve—yoke	17H8894	3	1			
5	<b>Journal and needle kit</b>	8G3000	4	2			
6	Gasket—journal	17H8818	5	8			
7	Retainer—gasket	17H8819	6	8			
8	Bearing assembly—needle	7H8874	7	8			
9	Snap ring	7H8877	8	8			
10	Lubricator—journal	7H8858	9	2			
11	Bolt—shaft to pinion flange	HBZ0510	10	4			
12	Washer—spring—bolt	LWZ305	11	4			
13	Nut—bolt	LNZ105	12	4			
14	Nut—bolt	LNZ205	13	4			
							Alternatives





**SERVICE PARTS LIST**

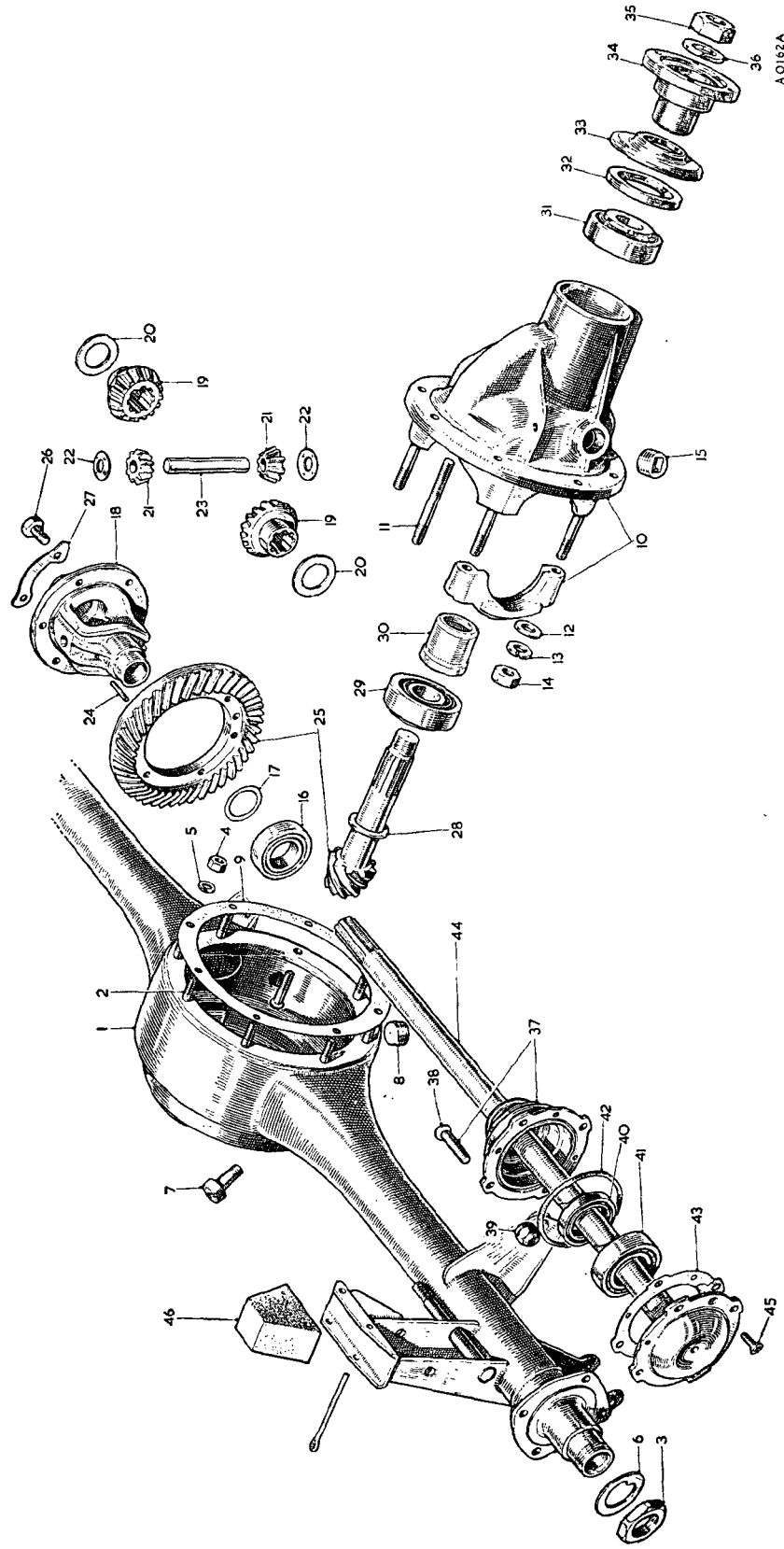
**THE M.G. MIDGET**

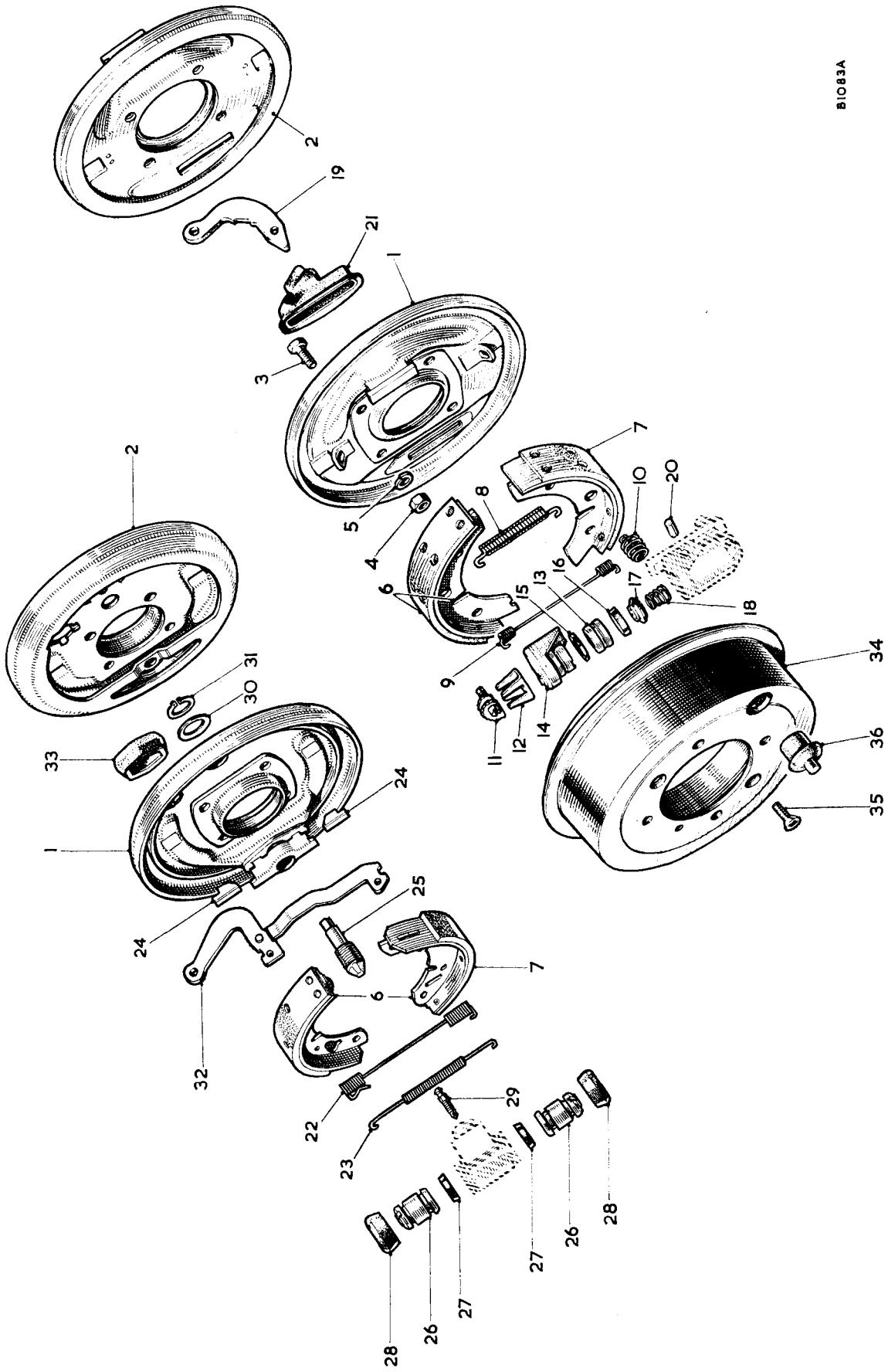
Item No.	DESCRIPTION	Commencing (C) GANI/101		Qty. per Veh.	New Part Number	MODIFICATIONS		REMARKS
		Part Number	Illus. No.			Change Point		
1	<b>Axle assembly</b> .....			1				
2	<b>Axle assembly</b> .....			1				
3	<b>Case assembly</b> .....			1				
4	Nut—bearing retaining—RHT	NSP		1				
5	Nut—bearing retaining—LHT	ATA7618		1	BTA568		Com. (C) 13555	
6	Stud—gear carrier	2A7103		1				
7	Washer—bearing retaining nut	1G3584		1				
8	Nut—gear carrier to axle case	2A7226		2				
9	Washer—spring—nut	2A7250		6				
10	Breather assembly	FNZ105		4				
11	Plug—drain	LWZ305		5				
12	Plug—filler	IH3864		7				
13	Bumper (rubber)	6K499		1				
14	Joint—gear carrier to axle case	2A7142		1				
15	<b>Differential assembly</b>	2A7027		46				
16	Stud—bearing cap	ATA7326		9				
17	Washer—plain—stud	ATA7032		1	BTA550		Com. (C) 16184	
18	Washer—spring—stud	51K886		11	BTA549			
19	Nut—stud	PWNI07		4				
20	Plug—filler	LWN907		13				
21	Bearing—differential	FNN107		14				
22	Washer—bearing packing (.002" [.050 mm.])	6K499		15				
23	Washer—bearing packing (.003" [.076 mm.])	2K5943		16				
24	Washer—bearing packing (.004" [.101 mm.])	2K7779		17				
25	Washer—bearing packing (.010" [.254 mm.])	ATA7269		A/R				
26	Cage—differential	2K7778		A/R				
27	Wheel—differential	2A7271		18				
28	Pinion—differential	ATA7086		19				
29	Washer—thrust—differential wheel	ATA7037		2				
30	Pinion—differential	ATA7296		20	ATA7039		Com. (C) 16184	
31	Washer—thrust—differential pinion	2A7015		21				
32	Pin—pinion	ATA7297		22				
33	Peg—pinion pin	2A7016		23	2A7062		Com. (C) 16184	
34	<b>Grown wheel and pinion</b>	6K631		1				
35	Bolt—crown wheel to differential cage	ATA7266		25	BTA539		Com. (C) 16184	
36	Washer—lock—bolt	ATA7043		6	ATA7232			

**SERVICE PARTS LIST**

**THE M.G. MIDGET**

Item No.	DESCRIPTION	Commencing (C) GAN/101		Qty. per Veh.	MODIFICATIONS		REMARKS
		Part Number	Illus. No.		New Part Number	Change Point	
1	Rear Axle—continued						
2	Washer—pinion thrust (.130" [3-30 mm.])	ATA7123	28	1			
3	Washer—pinion thrust (.128" [3-25 mm.])	ATA7124		1			
4	Washer—pinion thrust (.126" [3-20 mm.])	ATA7125		1			One used of selected size
5	Washer—pinion thrust (.124" [3-15 mm.])	ATA7126		1			
6	Washer—pinion thrust (.122" [3-10 mm.])	ATA7127		1			
7	Washer—pinion thrust (.120" [3-05 mm.])	ATA7128		1			
8	Washer—pinion thrust (.118" [3-00 mm.])	ATA7129		1			
9	Washer—pinion thrust (.116" [2-95 mm.])	ATA7130		1			
10	Bearing—inner—pinion	ATA7828	29	1	ATA7166		
11	Spacer—bearing	ATA7219	30	1	BTA532	] Com. (C) 10184	
12	Bearing—outer—pinion	2A7213	31	1	BTA440		
13	Seal—oil	ATA7047	32	1			
14	Cover—dust	IG7439	33	1			
15	Flange—universal joint	ATA7056	34	1			
16	Nut—pinion	FNN612	35	1			
17	Washer—spring—nut	LWZ212	36	1			
18	Shaft—axle	2A7942	44	2			
19	Joint—shaft to hub	2A7091	43	2			
20	Screw—shaft to hub	CMZ0410	45	2			
21	Hub assembly	2A7087	37	2			
22	Stud—wheel	2A7089	38	8			] Alternatives
23	Nut—wheel stud	2A8012	39	8			
24	Ring—oil seal	ATA7499	42	2			
25	Seal—oil	BTA108	40	2			
26	Bearing—hub	6K584	41	2			





B1083A

**SERVICE PARTS LIST**

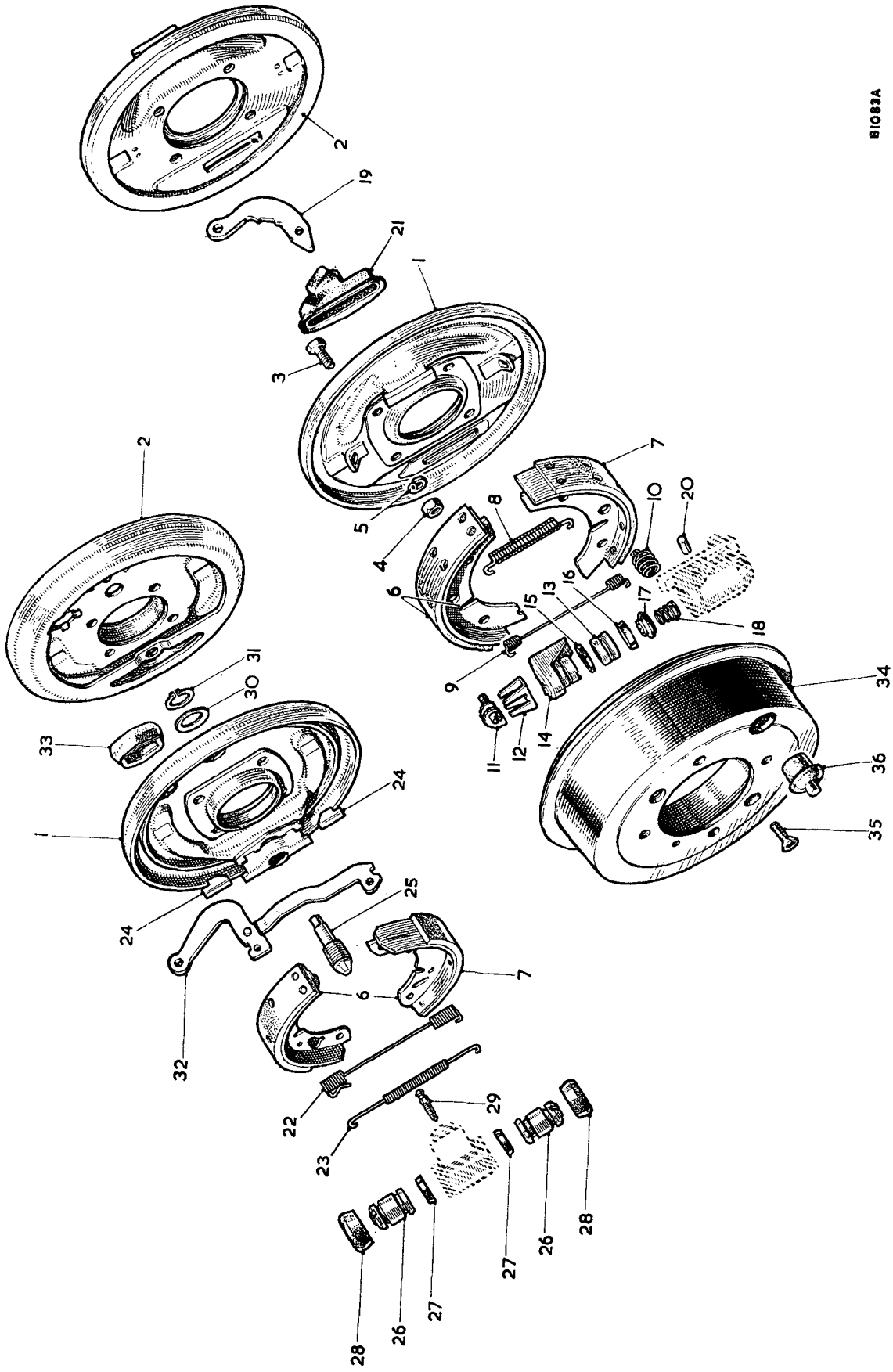
**THE M.G. MIDGET**

Item No.	DESCRIPTION	Commencing (C) GANI/101		Qty. per Veh.	MODIFICATIONS		REMARKS
		Part Number	Illus. No.		New Part Number	Change Point	
1	<b>Rear Axle—continued</b> <b>Plate—brake—RH</b>	<b>ATA7076</b>	1	1	<b>BTA466</b>	<b>Com. (C) 13555</b>	
2	Plate—brake—LH	ATA7077	2	1	<b>BTA566</b>	<b>Com. (C) 16184</b>	
3	Screw—backplate to axle case	HZS0506	3	8	BTA467	Com. (C) 13555	
4	Nut—screw	FNZ105	4	8	BTA567	Com. (C) 16184	
5	Washer—spring—screw	LWZ305	5	8			
6	<b>Shoe assembly—brake</b>	<b>AJA5086</b>	6	2 sets			
7	<b>Liner with rivets</b>	<b>300826</b>	7	1 set			
8	Rivet	7H7398	8	28			
9	Spring—shoe return—abutment end	301633	9	2			
10	Spring—shoe return—cylinder end	301634	10	2			
11	Spring—brake-shoe steady	301020	11	4			
12	Adjuster assembly	68648	12	2			
13	Mask—adjuster	68643	13	2			
14	<b>Cylinder assembly—wheel</b>	<b>301622</b>	14	2			
15	Body	7H7942	15	2			
16	Piston—hydraulic	7H7928	16	2			
17	<b>Piston with dust cover</b>	<b>AJA5008</b>	17	2			
18	Seal	17H7707	18	2			
19	Cup	7H7923	19	2			
20	Filler—cup	7H7940	20	2			
21	Spring—cup filler	7H7939	21	2			
22	Lever—hand brake	27H7395	22	2			
23	Pin—lever pivot	17H7203	23	2			
24	Boot—wheel cylinder	7H7943	24	2			
25	Spring—shoe return—cylinder end—RH		25	1	17H7947		
26	Spring—shoe return—cylinder end—LH		26	1	17H7948		
27	Spring—shoe return—adjuster end		27	2	17H7921		
28	Tappet		28	4	17H7618		
29	Wedge		29	2	17H7619		
30	<b>Cylinder assembly—wheel</b>		30	2	<b>17H2826</b>		
31	Body		31	2	<b>17H6993</b>		
32	Piston		32	4	NSP		
33	Seal		33	4	17H2827		
34	Boot—piston		34	4	17H7626		
35	Screw—bleeder		35	4	17H7515		

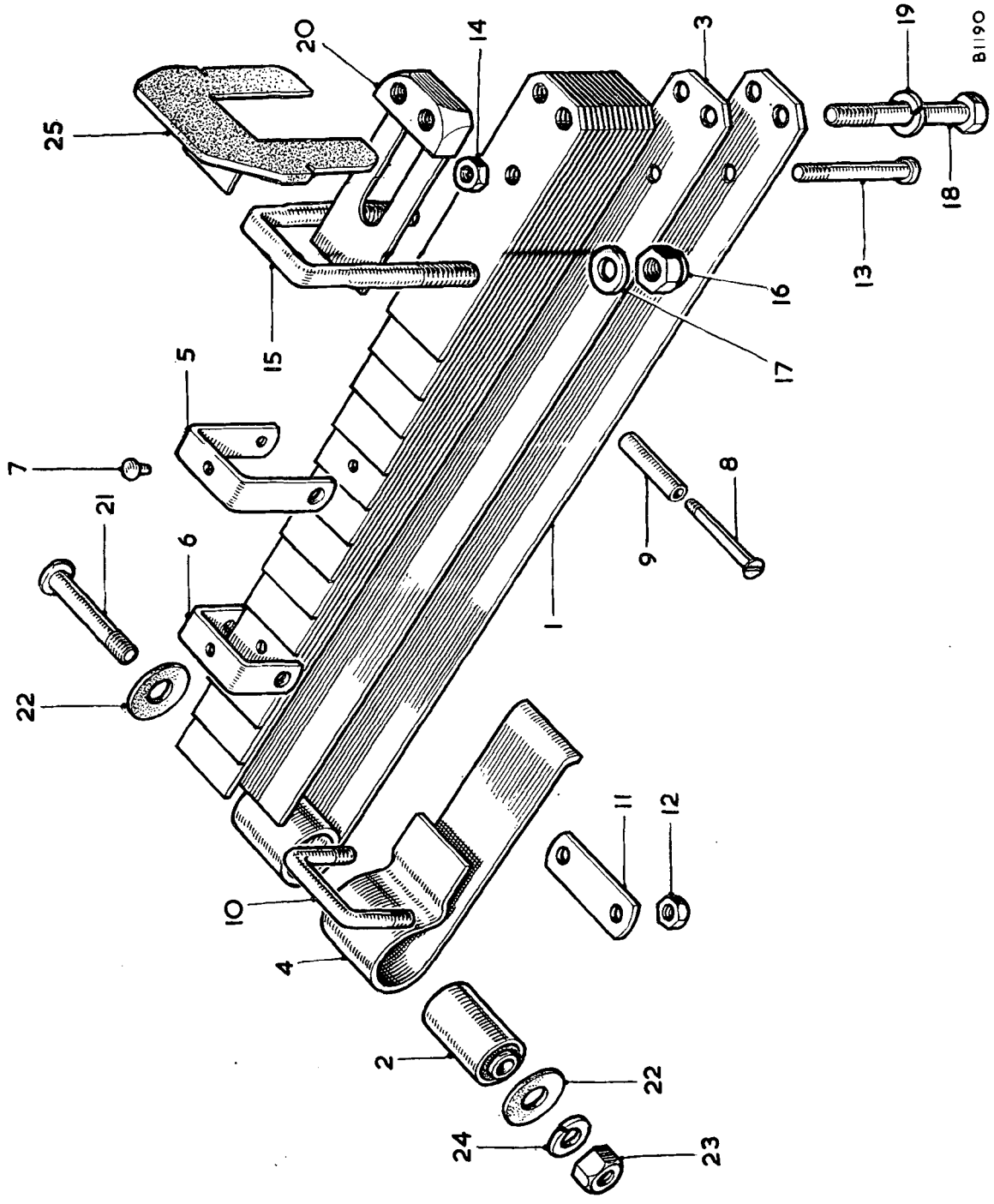
**SERVICE PARTS LIST**

**THE M.G. MIDGET**

Item No.	DESCRIPTION	Commencing (C) GANI/101		Qty. per Veh.	MODIFICATIONS		REMARKS	
		Part Number	Illus. No.		New Part Number	Change Point		
1	<b>Rear Axle—continued</b> Washer—Belleville—wheel cylinder fixing		30	2	1717613	Com. (C) 13555 Fin. (C) 16183		
2	Clip—wheel cylinder fixing		31	2	1717622	] Com. (C) 13555 ] Fin. (C) 16183		
3	Lever—hand brake—RH		32	1	17112824			
4	Lever—hand brake—LH		33	1	17112825			
5	Boot—hand brake lever		38	2	1717612			
6	<b>Drum—brake</b>	2A7168	34	2				
7	Screw—drum to hub	CMZ0410	35	4				
8	Plug—drum (rubber)	2A7228	36	2				
9	<b>Kit—wheel cylinder repair</b>	868243		2				
10	Seal			2				
11	Cup			2				
12	Boot			2		Fin. (C) 13554		
13	<b>Kit—wheel cylinder repair</b>			2	868741			
14	Seal			4	868255	Com. (C) 13555 Com. (C) 16184		
15	Boot			4		Com. (C) 14855		



B1089A



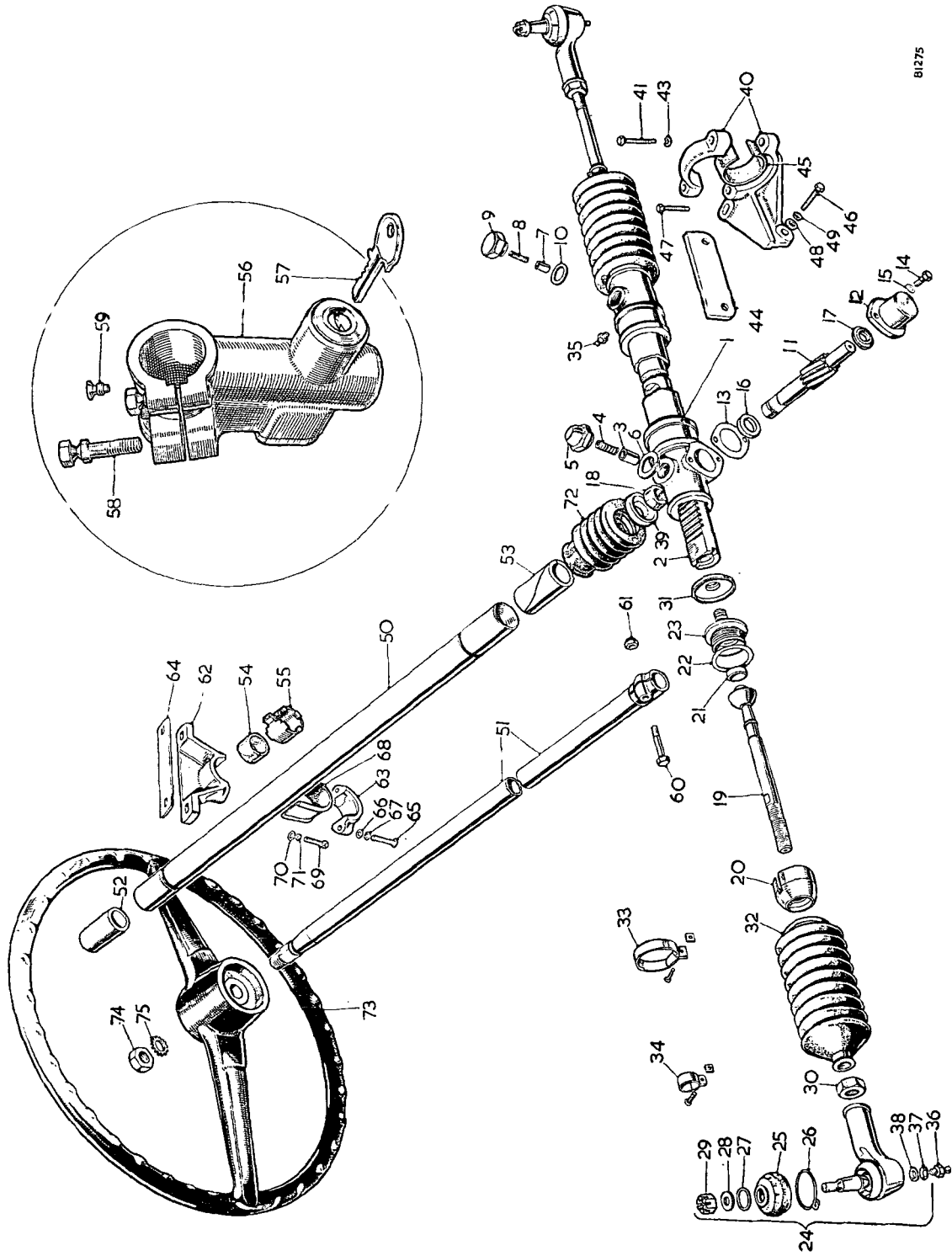
B1190



**SERVICE PARTS LIST**

**THE M.G. MIDGET**

Item No.	DESCRIPTION	Commencing (C) GANI/101		Qty. Per Veh.	MODIFICATIONS		REMARKS
		Part Number	Illus. No.		New Part Number	Change Point	
1	Spring assembly	2A7309	1	2			
2	Leaf—main	AHA5331	2	2			
3	Bush	2H4605	3	2			
4	Leaf—2nd	AHA5332	2	2			
5	Clip—safety	AHA5350	4	2			
6	Clip—spring—long	AHA5346	5	2			
7	Clip—spring—short	AHA5347	6	2			
8	Rivet—clip	RRS0405	7	4			
9	Screw—spring clip	AHA5348	8	4			
10	Tube—distance—clip	AHA5349	9	4			
11	'U' bolt—safety clip to spring	AHA5351	10	2			
12	Plate—'U' bolt	AHA5352	11	2			
13	Nut—'U' bolt	FNZ105	12	4			
14	Bolt—locating	AHA5353	13	2			
15	Locknut—bolt	FNZ205	14	2			
16	Clip—spring to frame	AHA5221	15	2			
17	Nut—clip	LNZ108	16	4			
18	Washer—plain—nut	PWZ108	17	4			
19	Bolt—spring to frame	HBZ0626	18	4			
20	Washer—spring—bolt	LWZ306	19	4			
21	Plate—spring attachment	AHA5222	20	2			
22	Pin—spring	2A7279	21	2			
23	Washer—spring to rear axle (fibre)	FNZ107	22	4	AHA6870	Com. (C) 7442	
24	Nut—pin	LWZ307	23	2			
25	Washer—spring—nut		24	2			
26	Seal assembly—spring housing	AHA5468	25	2	AHA6418	Com. (C) 14527	
27	Spring assembly (heavy-duty)	HBZ0624		2			Optional extra
28	Bolt—spring to frame			4			



81275

**SERVICE PARTS LIST**

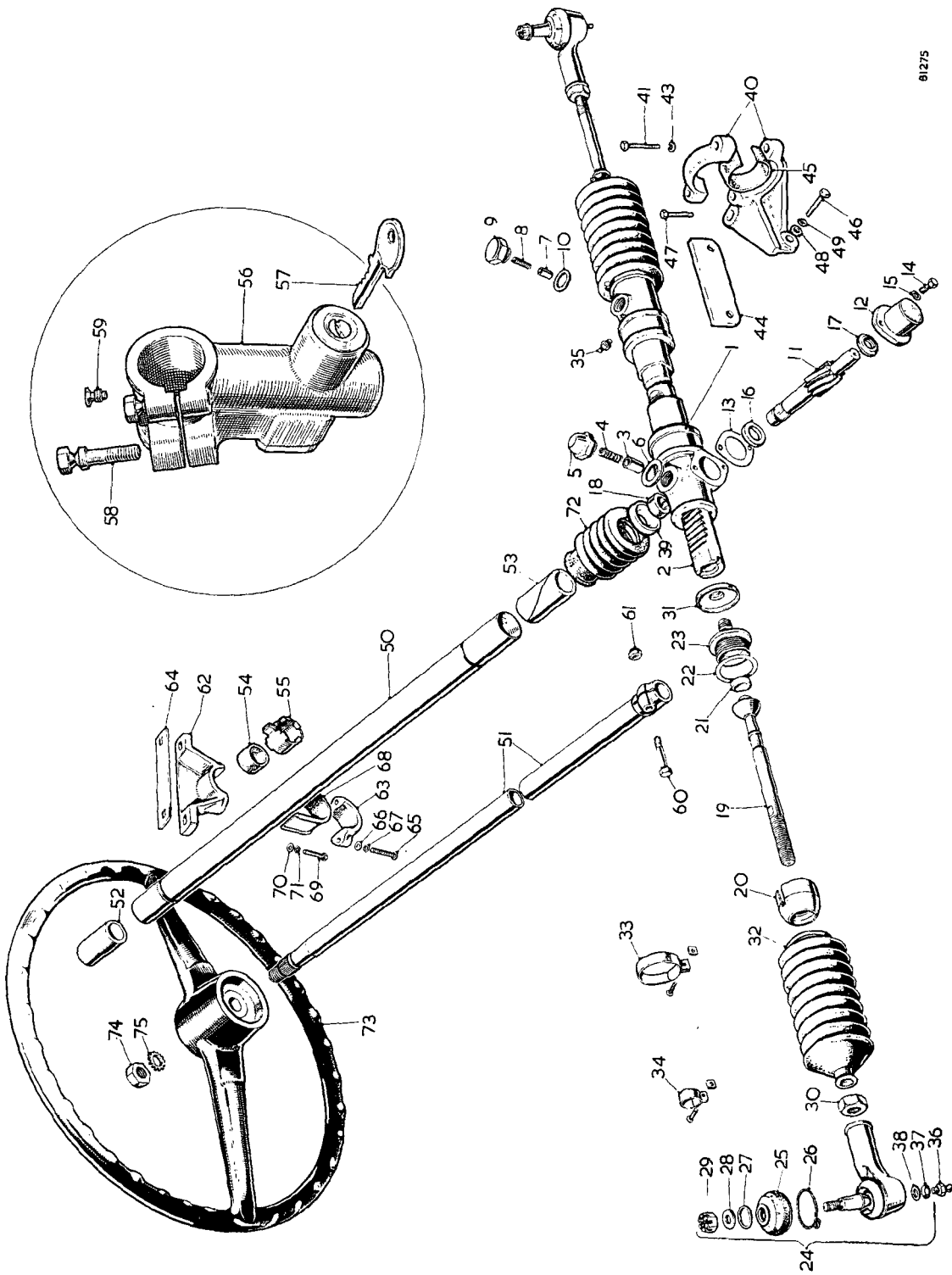
**THE M.G. MIDGET**

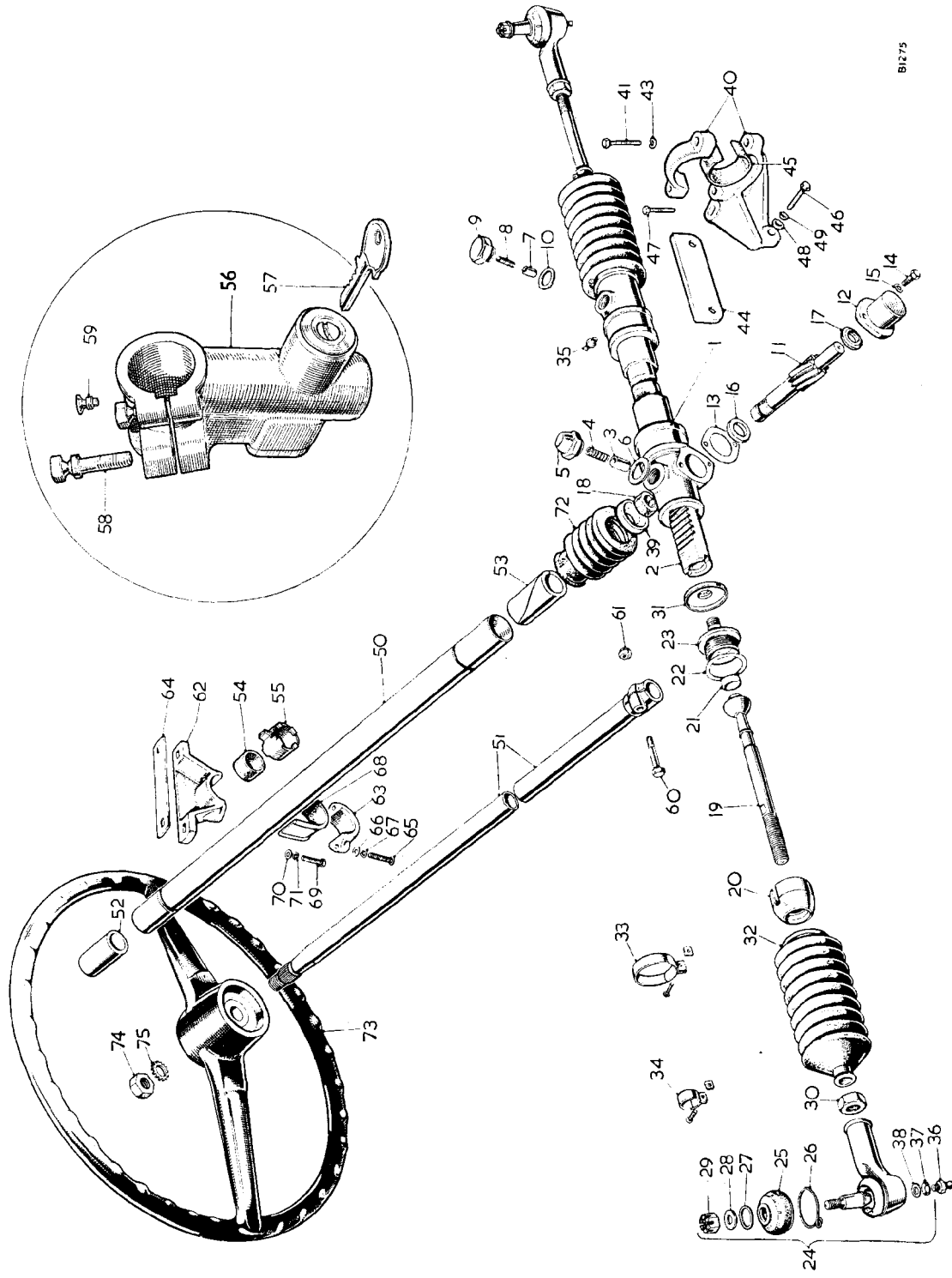
Item No.	DESCRIPTION	Commencing (C) GANI/101		Qty. per Veh.	MODIFICATIONS		REMARKS
		Part Number	Illus. No.		New Part Number	Change Point	
	<b>STEERING</b>						
1	Rack assembly	<b>ACG6010</b>	1	1			
2	Rack assembly	<b>RHD</b>					
3	Housing	<b>LHD</b>					
4	Housing	<b>RHD</b>	1	1			
5	Rack	<b>LHD</b>	2	1			
6	Pad—damper		3	1			
7	Spring—pad		4	1			
8	Housing—pad		ACA5245	1			
9	Shim—housing (.003" [.08 mm.])		ACA5249	5			
10	Shim—housing (.010" [.25 mm.])		ACA5275	6	A/R		
11	Pad—secondary damper		ACA5284	7	A/R		
12	Spring—secondary damper		ACA5286	8			
13	Housing—secondary damper		ACA5285	1			
14	Washer—housing		ACA5288	10			
15	<b>Pinion</b>		<b>ACA6028</b>	11			
16	<b>RHD</b>		<b>ACA6027</b>	1			
17	<b>LHD</b>		ACA5307	12			
18	Bearing—pinion tail		ACA5259	13	A/R		
19	Shim—tail bearing (.003" [.08 mm.])		ACA5260	1	A/R		
20	Shim—tail bearing (.005" [.13 mm.])		ACA5320	1	A/R		
21	Shim—tail bearing (.010" [.25 mm.])		AJD0155Z	14	2		
22	Screw—bearing to rack housing		LWZ204	15	2		
23	Washer—spring—screw		ACA5257	16	1		
24	Washer—thrust—pinion—top		ACA5258	17	1		
25	Washer—thrust—pinion—bottom		ACA5261	18	1		
26	Seal—pinion		<b>ACA6018</b>	2			
27	<b>Tie-rod assembly</b>		ACA6015	19	2		
28	Tie-rod		ACA5304	20	2		
29	Ball housing—female		ACA5246	21	2		
30	Seat—ball		ACA6017	22	A/R		
31	Shim (.002" [.06 mm.])		ACA5301	1	A/R		
32	Shim (.003" [.08 mm.])		ACA5302	1	A/R		
33	Shim (.005" [.13 mm.])		ACA5303	1	A/R		
34	Shim (.010" [.25 mm.])		ACA6031	23	2		
	Ball housing—male						

SERVICE PARTS LIST

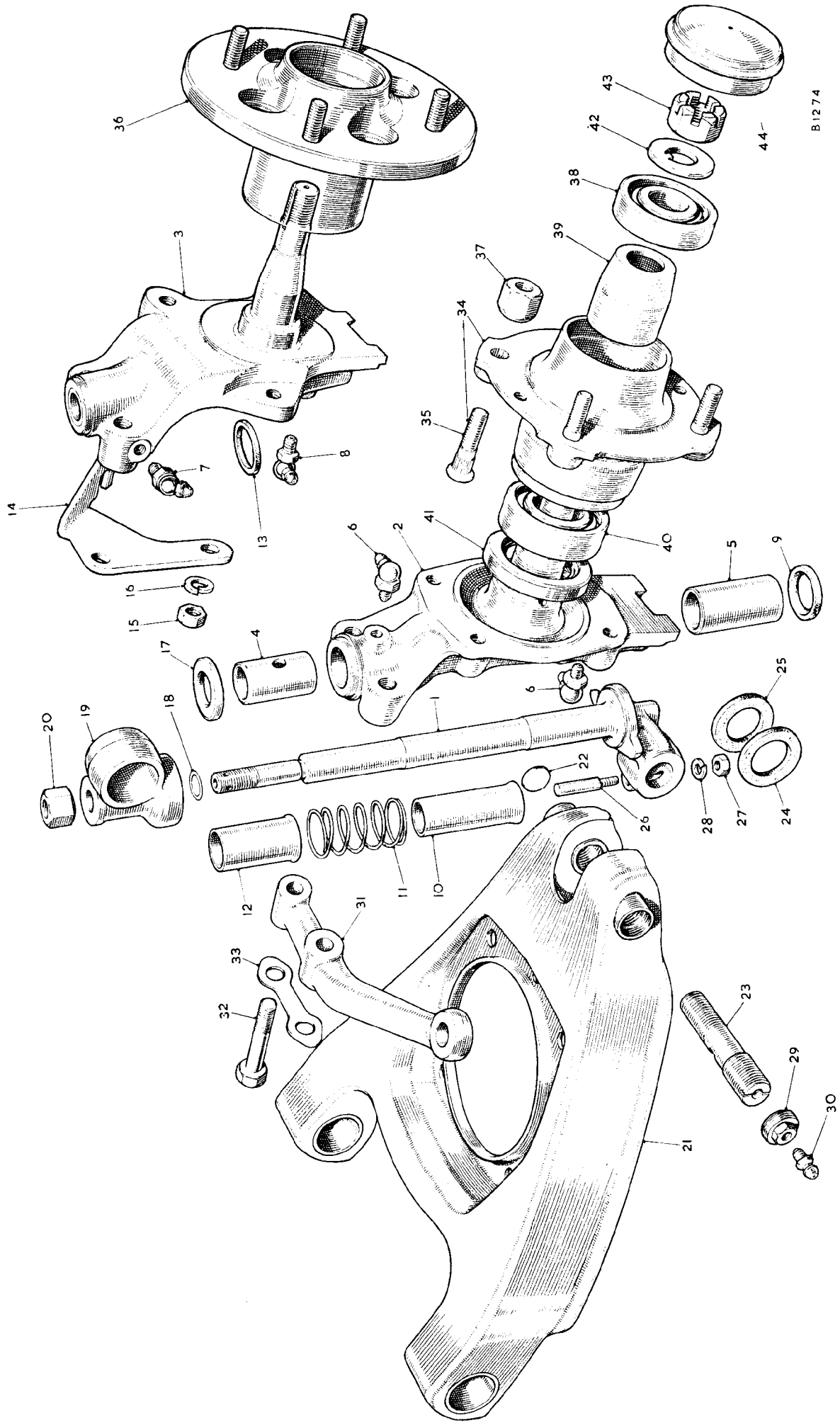
THE M.G. MIDGET

Item No.	DESCRIPTION	Commencing (C) GANI/101		Qty. per Veh.	MODIFICATIONS		REMARKS
		Part Number	Illus. No.		New Part Number	Change Point	
1	Steering—continued						
2	Socket assembly—ball—outer	8G8452	24	2			
3	Boot	7H3762	25	2			
4	Clip—boot to body	7H3565	26	2			
5	Ring—boot to ball pin	7H8763	27	2			
6	Washer—plain—ball pin	PWZ107	28	2			
7	Nut—ball pin	FNZ407	29	2			
8	Washer—dished—ball socket	ACH6170	37	2			
9	Washer—ball socket (fibre)	ACH6173	38	2			
10	Locknut—ball socket	FNZ210	30	2			
11	Washer—lock—ball housing	ACA5247	31	2			
12	Seal—rack housing	ACA6029	32	2			
13	Clip—inner—seal	ACA6030	33	2			
14	Clip—outer—seal	ACA5118	34	2			
15	Lubricator—rack	UHN305	35	1			
16	Lubricator—ball socket	UHN305	36	2			
17	Retainer—pinion oil seal	AHA5496	39	1			
18	Bracket and cap assembly—rack mounting—RH	AHA5391	40	1			
19	Bracket and cap assembly—rack mounting—LH	AHA5392	40	1			
20	Screw—cap to bracket	HCZ0512	41	4			
21	Washer—spring—screw	LWZ205	43	4			
22	Seating—mounting bracket—rack	2A6128	44	2			
23	Packing—mounting bracket—rack (3/8" [2.38 mm.])	2A6129	45	A/R			] Alternatives
24	Packing—mounting bracket—rack (3/8" [3.97 mm.])	2A6130	45	A/R			
25	Packing—mounting bracket—rack (3/8" [5.50 mm.])	2A6131	45	A/R			
26	Screw—mounting bracket to suspension housing support (1" [25.4 mm.])	HZS0506	46	4			
27	Washer—plain—screw	HZS0508	47	2			
28	Washer—spring—screw	PWZ105	48	6			
		LWZ205	49	6			





B1275



B.1274

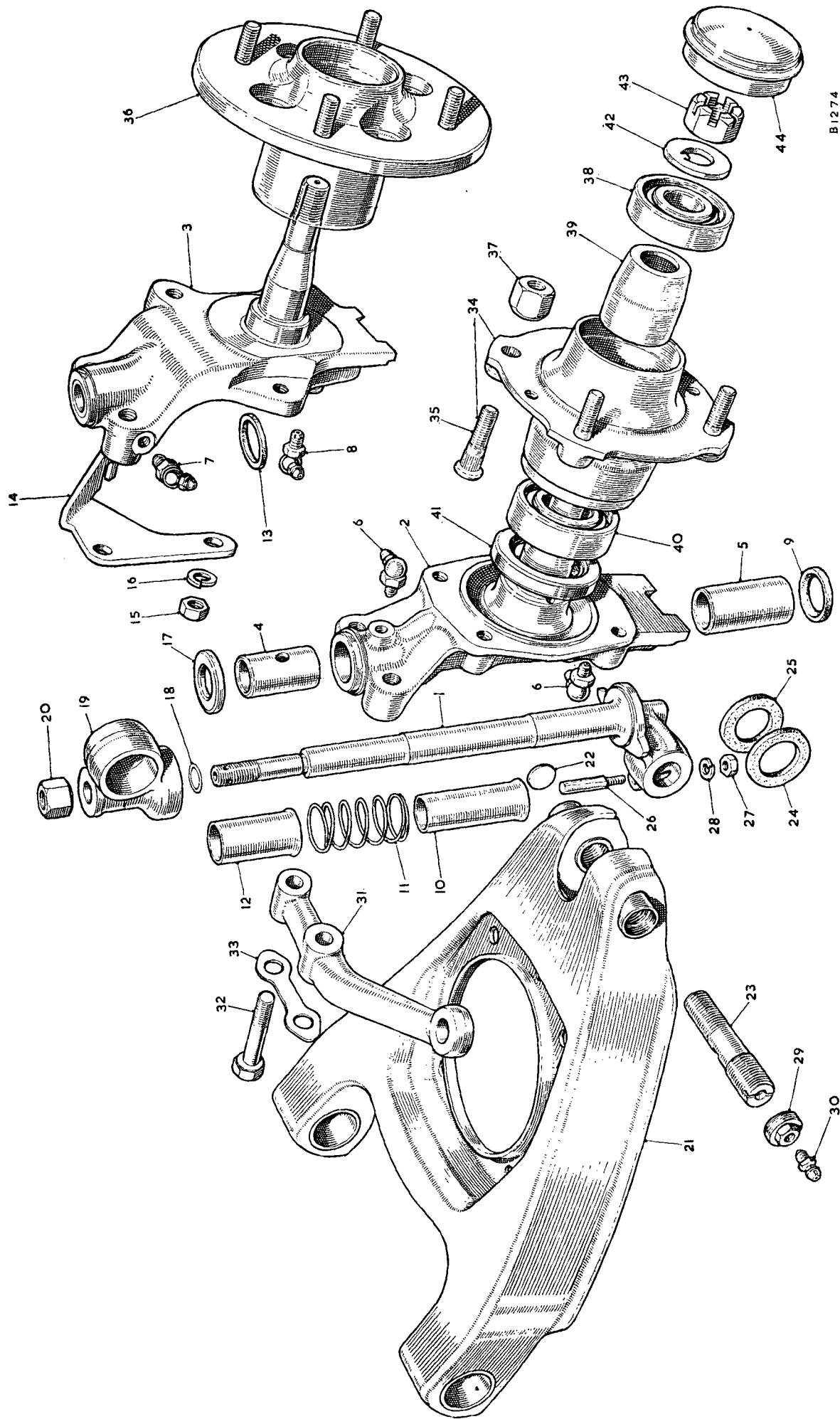
**SERVICE PARTS LIST**

**THE M.G. MIDGET**

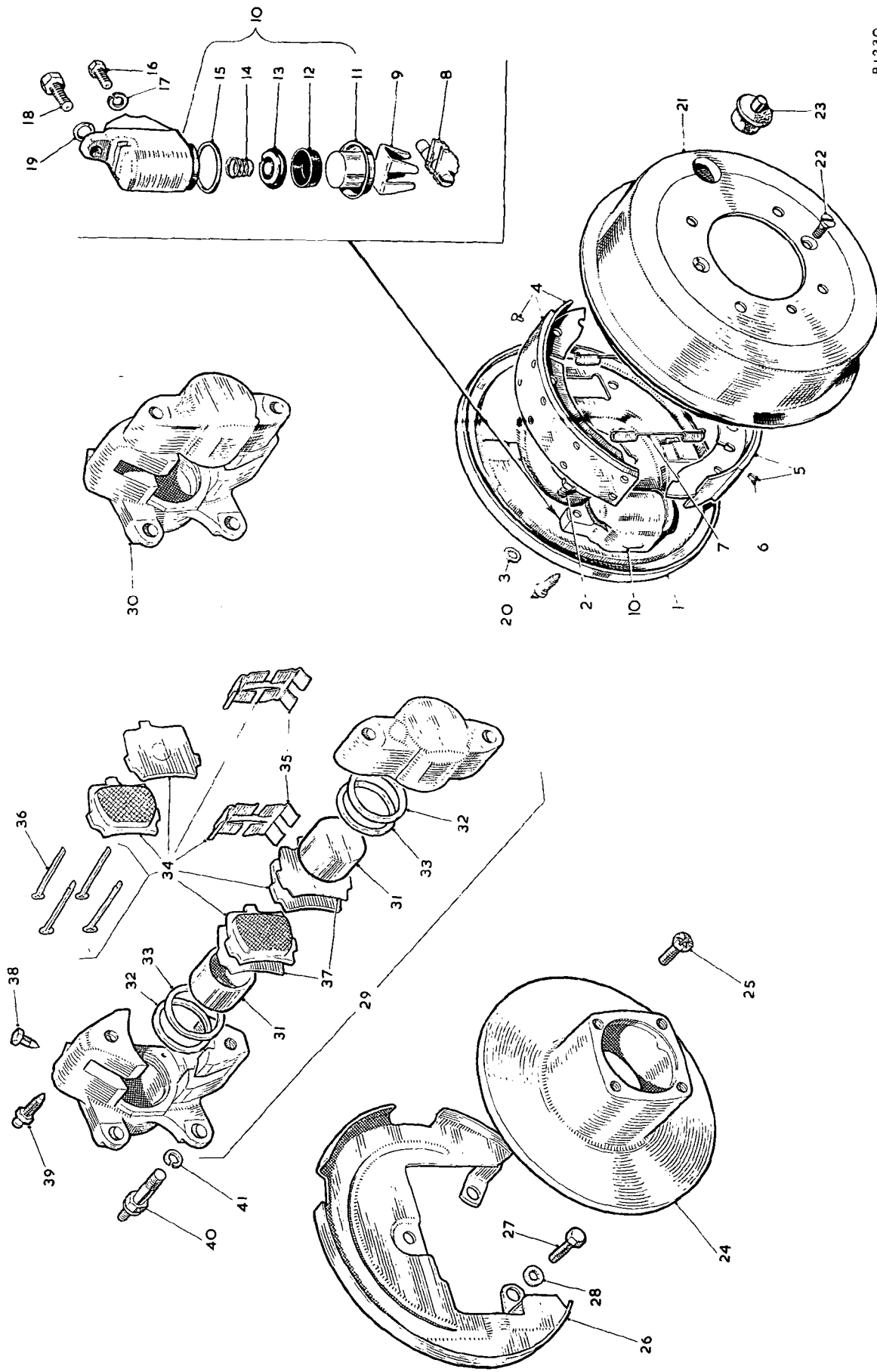
Item No.	DESCRIPTION	Commencing (C) GANI/J01		Qty. per Veh.	MODIFICATIONS		REMARKS
		Part Number	Illus. No.		New Part Number	Change Point	
<b>FRONT AXLE AND SUSPENSION</b>							
1	Front suspension assembly—RH	NSP		1			
2	Front suspension assembly—LH	NSP		1			
3	Pin—swivel	2A4004	1	2		BTA605	Com. (C) 16184
4	Axle assembly—swivel	2A4304	2	2			Fin. (C) 16183
5	Axle assembly—swivel—RH		3	1		BTA600	Com. (C) 16184
6	Axle assembly—swivel—LH		4	1		BTA601	
7	Bush—top	2A4176	5	2		BTA392	
8	Bush—bottom	1A4744	6	2		ATC4246	
9	Lubricator—swivel axle bushes	UHN490	7	4			Fin. (C) 16183
10	Lubricator—swivel axle top bush		8	2		UHN490	
11	Lubricator—swivel axle bottom bush	2A4009	9	2		UHN445	Com. (C) 16184
12	Ring—sealing	2A4011	10	2		BTA613	
13	Tube—dust excluder—bottom	6K653	11	2		BTA606	
14	Spring—dust excluder	2A4010	12	2			
15	Tube—dust excluder—top		13	2		BTA607	
16	Ring—sealing—dust excluder tube		14	1		BTA442	
17	Lock plate—RH brake hose		15	1		BTA443	
18	Lock plate—LH brake hose		16	4		FNZ105	Com. (C) 16184
19	Nut—lock plate		17	4		LWZ305	
20	Washer—spring—nut	2A4006	18	2			
21	Washer—thrust	2A4008	19	A/R			
22	Washer—adjustment (.012" [.30 mm.])	2A4007	20	A/R			
23	Washer—adjustment (.008" [.20 mm.])	2A4168	21	A/R			
24	Washer—adjustment (.003" [.08 mm.])	2A4005	22	2			
25	Trunnion—suspension link	FNZ307	23	2			
26	Nut—trunnion to swivel pin	21A153	24	2			
27	Link—lower	51K3424	25	2			
28	Plug—blanking—fulcrum pin small bush	2A4020	26	2			
29	Pin—fulcrum	2A4206	27	2			
30	Ring—large—fulcrum pin	2A4205	28	2			
31	Ring—small—fulcrum pin	51K1769	29	2			
32	Pin—cotter—fulcrum pin to swivel pin	FNZ103	30	2			
33	Nut—cotter pin	LWZ203	31	2			
34	Washer—spring—nut	8G589	32	2			
35	Plug—screwed—fulcrum pin large bush	UHN400	33	2			
36	Lubricator	ATA4180		1			
37	Lever—steering—RH	ATA4181		1			
38	Lever—steering—LH	53K1370		2			
39	Screw—short—steering lever to swivel axle	ATA4182		2			
40	Screw—long—steering lever to swivel axle	2K5877		2			
41	Washer—lock—screw						







B1274



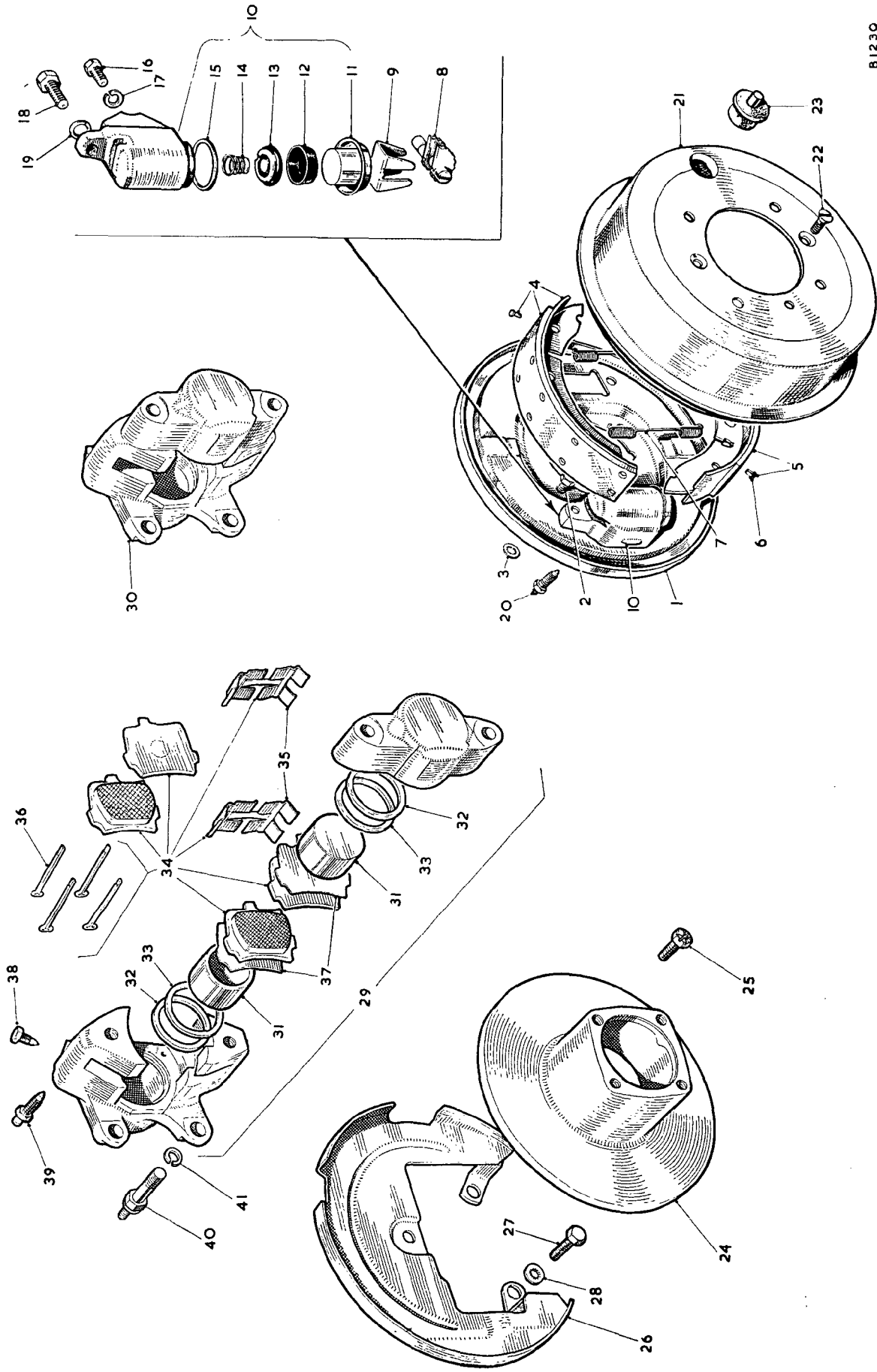
B1230

**SERVICE PARTS LIST**

**THE M.G. MIDGET**

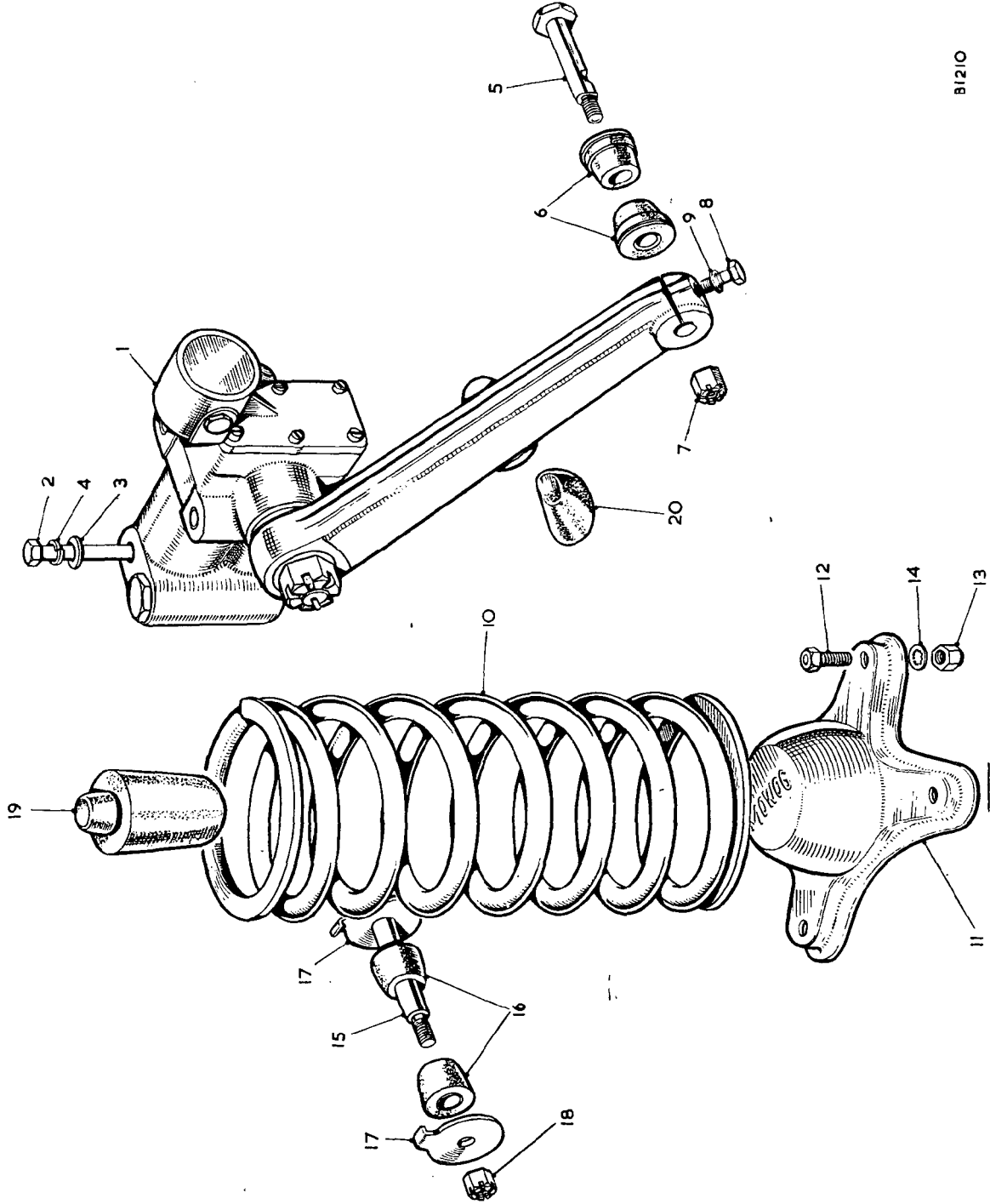
Item No.	DESCRIPTION	Commencing (C) GANL/101		Qty. per Veh.	MODIFICATIONS		REMARKS
		Part Number	Illus. No.		New Part Number	Change Point	
1	<b>Front Axle and Suspension—continued</b>						
2	<b>Plate—brake—RH</b>	17H7543	1	1			
3	Plate—brake—LH	17H7544	1	1		Fin. (C) 16183	
4	Screw—brake plate to swivel axle	51K1368	2	8			
5	Washer—shakeproof—screw	LWZ405	3	8			
6	<b>Shoe assembly—brake</b>	AJA5085	4	2 sets	8G8670	Com. (C) 7898	
7	<b>Liner with rivets</b>	300826	5	1 set	8G8672	Fin. (C) 16183	
8	Rivet	7H7898	6	28			
9	Spring—brake-shoe pull-off	301627	7	4			
10	Adjuster—Micram	17H7576	8	4			
11	Mask	68648	9	4			
12	<b>Cylinder assembly—wheel—RH</b>	7H7949	10	2			
13	Cylinder assembly—wheel—LH	7H7950	10	2			
14	Body—RH	NSP	11	2			
15	Body—LH	NSP	11	2			
16	Piston with dust cover	7H7941	11	4			
17	Cup	7H7924	12	4			
18	Filler—cup	7H7938	13	4			
19	Spring—cup filler	7H7939	14	4			
20	Ring—sealing	7H7753	15	4			
21	Screw—small—wheel cylinder fixing	7H7520	16	4			
22	Washer—spring—screw	LWN204	17	4			
23	Washer—large—wheel cylinder fixing	HNS0505	18	4			
24	Washer—spring—screw	7H7368	19	4			
25	Screw—bleeder	3H2428	20	2			
26	<b>Drum—brake</b>	2A7168	21	2			
27	Screw—drum to hub	CMZ0407	22	4			
28	Plug—brake-drum	2A7228	23	2			
29	<b>Disc—brake</b>		24	2	BTA383		
30	Bolt—disc to hub		25	8	BTA370		
31	Cover—dust—brake disc—RH		26	1	BTA472		
32	Cover—dust—brake disc—LH		27	2	BTA473		
33	Bolt—dust cover to swivel axle		28	2	HZ50503		
34	Washer—shakeproof—bolt		29	1	LWZ505		
35	<b>Calliper unit assembly—RH</b>		30	1	BTA372	Com. (C) 16184	
36	Calliper unit assembly—LH		31	1	BTA373		
37	Calliper—RH		32	4	17H7958		
38	Calliper—LH		33	4	17H7959		
39	Piston		34	4	17H7960		
40	Seal—inner		35	4	17H7961		
	Seal and retainer—dust		36	4	17H7962		





B1230

To face page K.4



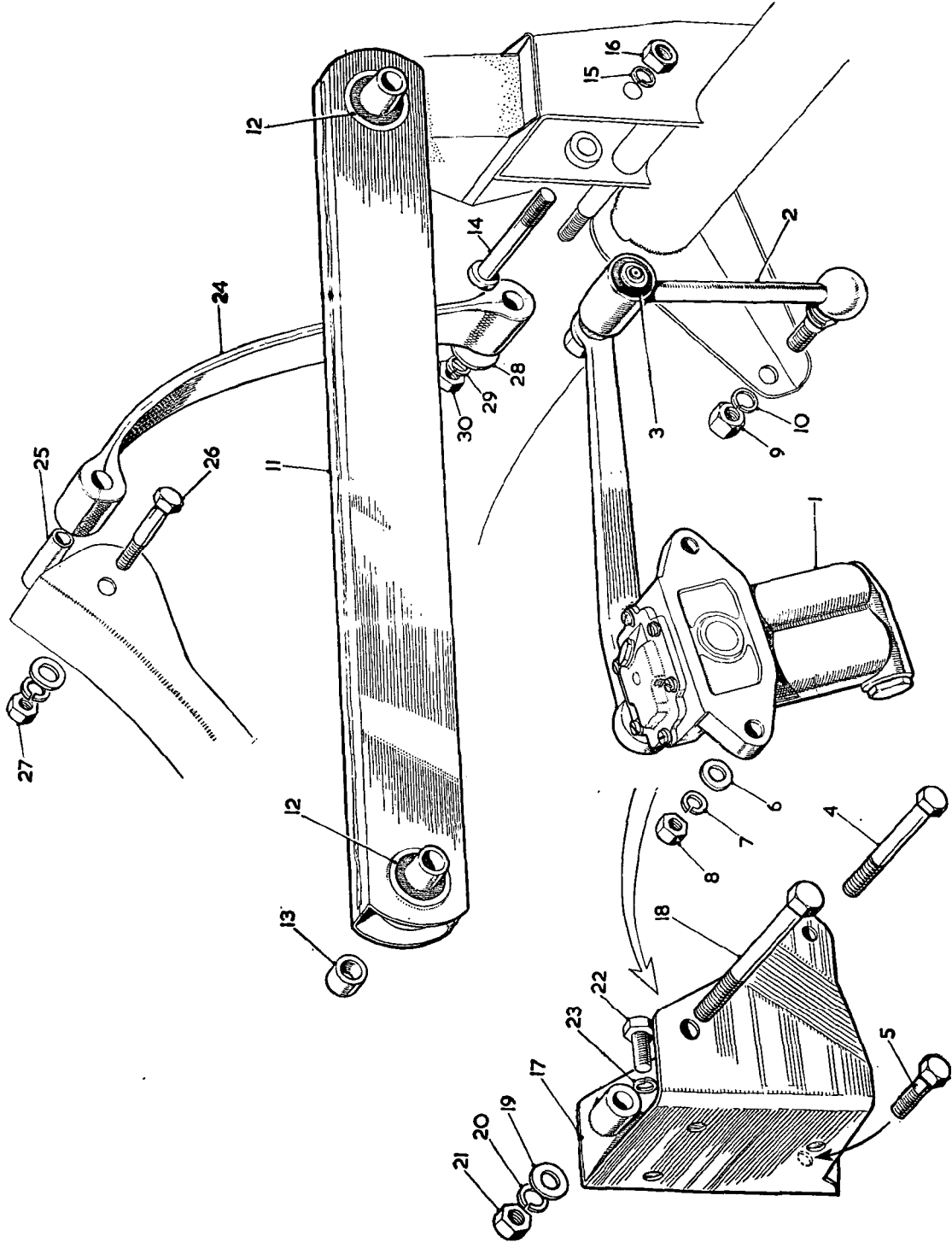
B1210

**SERVICE PARTS LIST**

**THE M.G. MIDGET**

Item No.	DESCRIPTION	Commencing (C) GANI/101		Qty. per Veh.	MODIFICATIONS		REMARKS
		Part Number	Illus. No.		New Part Number,	Change Point	
1	Front Axle and Suspension—continued						
2	Absorber—shock—RH	2A4172	1	1			
3	Absorber—shock—LH	2A4174	1	1			
4	Screw—shock absorber to frame	53K1864	3	6			
5	Washer—plain—screw	PWZ106	4	6			
6	Washer—spring—screw	LWZ806	5	2			
7	Pin—fulcrum—shock absorber to trunnion	2A4028	6	4			Alternatives
8	Bearing	2A4027	7	2			
9	Nut—fulcrum pin	2A4168	8	2			
10	Bolt—clamping—fulcrum pin to shock absorber arm	FNZ306	9	2			
11	Washer—shakeproof—bolt	53K1989	10	2			
12	Spring—road—coil	LWN405	11	2			
13	Seat—spring	2A4214	12	8			
14	Bolt—spring seat to lower link	21A137	13	8			
15	Nut—bolt	53K1868	14	8			
16	Nut—bolt	LNZ205	15	4			
17	Washer—shakeproof—nut	LNZ105	16	8			
18	Pin—fulcrum—lower link to frame	LWN405	17	4			
19	Bearing—lower link	2A4272	18	4			
20	Washer—special—fulcrum pin	8G621	19	2			
21	Nut—fulcrum pin	2A4024	20	2			
22	Nut—fulcrum pin	LNZ206	21	4			
23	Buffer—suspension	LNZ106	22	4			
24	Buffer—rebound	2A4029	23	2			Alternatives For 2A4029 use AHA6378 in pairs for this application
25	Kit—swivel pin and bush repair	2A4082	24	2			
26	Pin—swivel	8G4177	25	1			
27	Bush—top		26	2			
28	Bush—bottom		27	2			
29	Ring—sealing		28	2			
30	Nut—swivel pin		29	2			
31	Washer—thrust		30	2			
32	Washer—adjustment (.012" [.30 mm.])		31	2			
33	Washer—adjustment (.008" [.20 mm.])		32	2			
34	Washer—adjustment (.003" [.08 mm.])		33	2			
35	Ring—large—fulcrum pin		34	2			
36	Ring—small—fulcrum pin		35	2			
37	Pin—cotter—fulcrum pin to swivel pin		36	2			
38	Nut—cotter pin		37	2			
39	Washer—spring—nut		38	2			
			39	2			





A0391A

**SERVICE PARTS LIST**

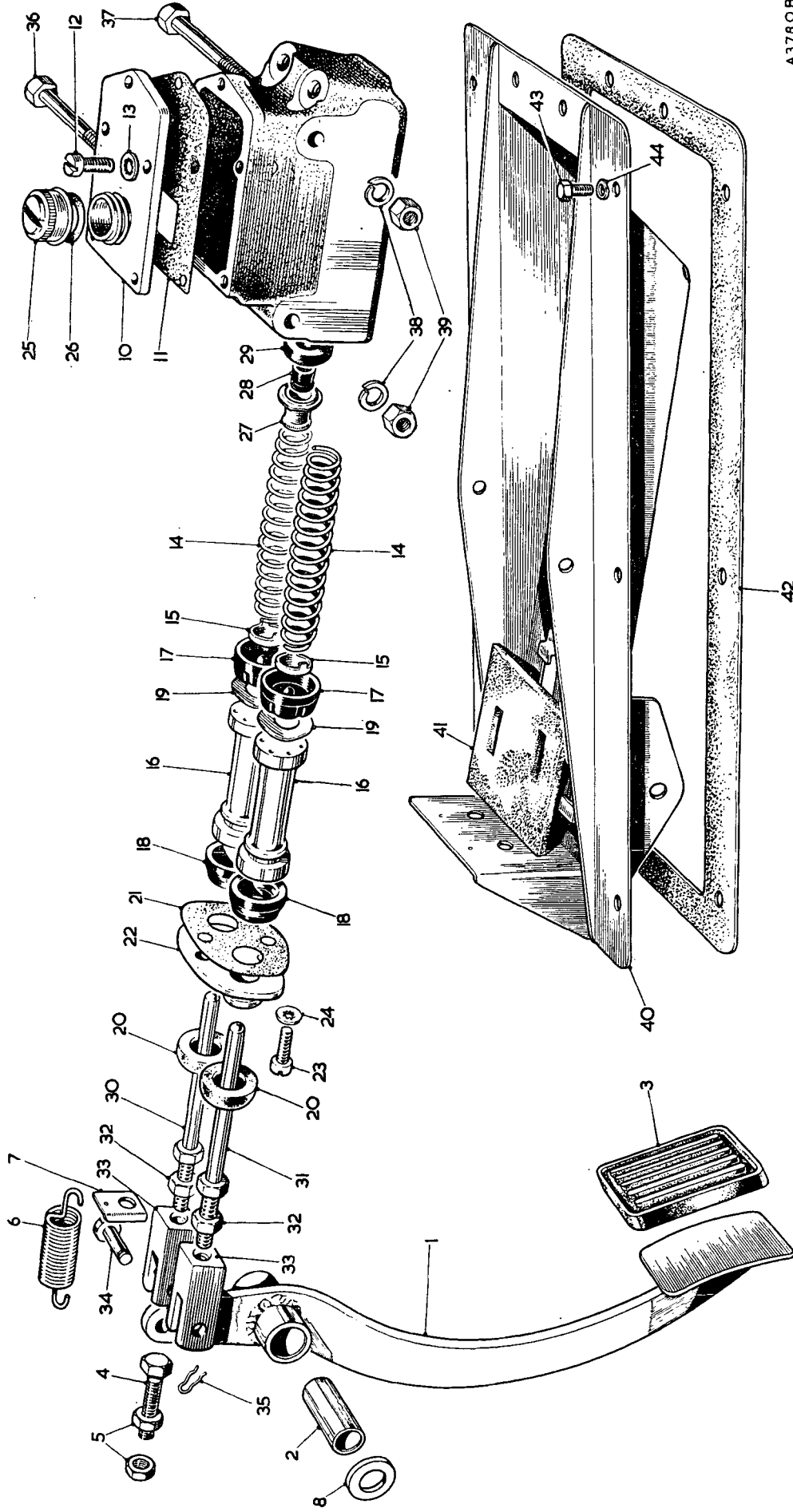
**THE M.G. MIDGET**

Item No.	DESCRIPTION	Commencing (C) GANI/101		Qty. per Veh.	MODIFICATIONS		REMARKS
		Part Number	Illus. No.		New Part Number	Change Point	
<b>SHOCK ABSORBERS</b>							
1	<b>Absorber—shock—front—RH</b>						
2	Absorber—shock—front—LH						
3	<b>Absorber—shock—rear—RH</b>						
4	Absorber—shock—rear—LH						
5	<b>Link—shock absorber</b>						
6	Rubber—top—shock absorber link						
7	Bolt—absorber to bracket (3/4" [9.5-25 mm.])						
8	Bolt—absorber to bracket (1 1/4" [38-10 mm.])						
9	Washer—plain—bolt						
10	Washer—spring—bolt						
11	Nut—bolt						
12	Nut—bolt						
13	Nut—absorber link to axle bracket						
14	Washer—spring—nut						
15	<b>Link—top</b>						
16	Bush (rubber)						
17	Distance piece—bush—top link						
18	Pin—top link to axle bracket						
19	Washer—spring—pin						
20	Nut—pin						
21	<b>Bracket—mounting—link and absorber—RH</b>						
22	Bracket—mounting—link and absorber—LH						
23	Bolt—top link to mounting bracket						
24	Washer—plain—bolt						
25	Washer—spring—bolt						
26	Nut—bolt						
27	Screw—mounting bracket to rear cross-member						
28	Washer—spring—screw						
29	<b>Check strap—axle</b>						
30	Distance tube—strap						
31	Bolt—strap to floor bracket						
32	Nut—bolt						
33	Nut—bolt						
34	Washer—plain—strap to axle spindle						
35	Washer—spring—strap to axle spindle						
36	Nut—strap to axle spindle						

] See Section K

] Alternatives

] Alternatives



A3780B

**SERVICE PARTS LIST**

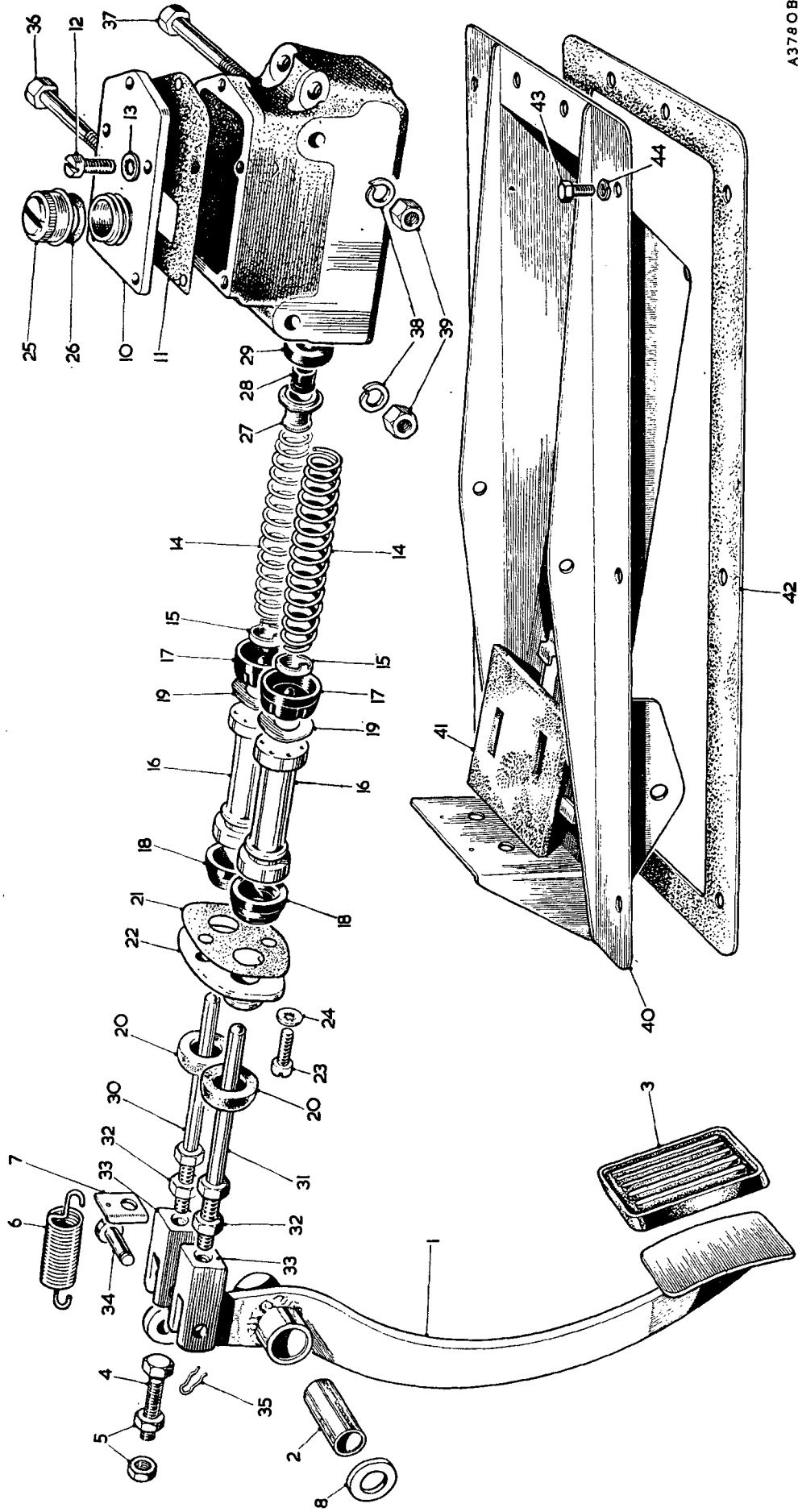
**THE M.G. MIDGET**

Item No.	DESCRIPTION	Commencing (C) GANI/101		Qty. per Veh.	MODIFICATIONS		REMARKS
		Part Number	Illus. No.		New Part Number	Change Point	
<b>BRAKE CONTROLS</b>							
1	Pedal—brake	2A5559	1	1	AHA6407	Com. (C) 13404	
2	Bush	2A5564	2	1			
3	Pad—pedal (rubber)	AHA5326	3	1			
4	Screw—pedal adjustment	HZS0408	4	1			
5	Locknut—screw	FNZ204	5	2			
6	Spring—pedal return	2A5574	6	1			
7	Retainer—return spring	2A5578	7	1			
8	Washer—distance—brake and clutch pedal	2A5565	8	1			
9	Cylinder and supply tank assembly—master	AJH5128	9	1	BHA4365	Com. (C) 16184	
10	Body	NSP	10	1	17H3721	Com. (C) 16184	
11	Cover—body	AJH5085	11	1			
12	Gasket—cover to body	AJH5086	12	1			
13	Screw—cover to body	301551	13	5			
14	Washer—shakeproof—screw	LWZ404	14	2	17H7981		
15	Spring—piston return	AJH5083	15	2	17H7554		
16	Retainer—return spring	7H7487	16	2	17H3687		
17	Piston	7H7925	17	2	17H7122	Com. (C) 16184	
18	Cup—primary—piston	7H7485	18	2	17H7123		
19	Cup—secondary—piston	17H7109	19	2	17H7984		
20	Washer—primary cup to piston	7H7484	20	2			
21	Boot—push-rod	AJH5084	21	1			
22	Gasket—boot fixing plate	301550	22	1			
23	Plate—boot fixing	301549	23	2			
24	Screw—plate to body	301551	24	2			
25	Washer—shakeproof—screw	LWZ404	25	1	17H3723		
26	Cap—filler	17H7480	26	1	17H7408	Com. (C) 16184	
27	Seal	AJG5016	27	1	17H7629		
28	Valve assembly	39731	28	1			
29	Body	7H7488	29	1		Fin. (C) 16183	
30	Cup	7H7022	30	1			
31	Washer	7H7489	31	1	8G8766	Com. (C) 16184	
32	Kit—master cylinder	8G8224	32	2			
33	Cup—primary—piston		33	2			
34	Cup—secondary—piston		34	2			
35	Washer—primary cup to piston		35	2		Fin. (C) 16183	
36	Boot—push-rod		36	2			
37	Cup—valve		37	1			
38	Washer—valve		38	1		Fin. (C) 16183	

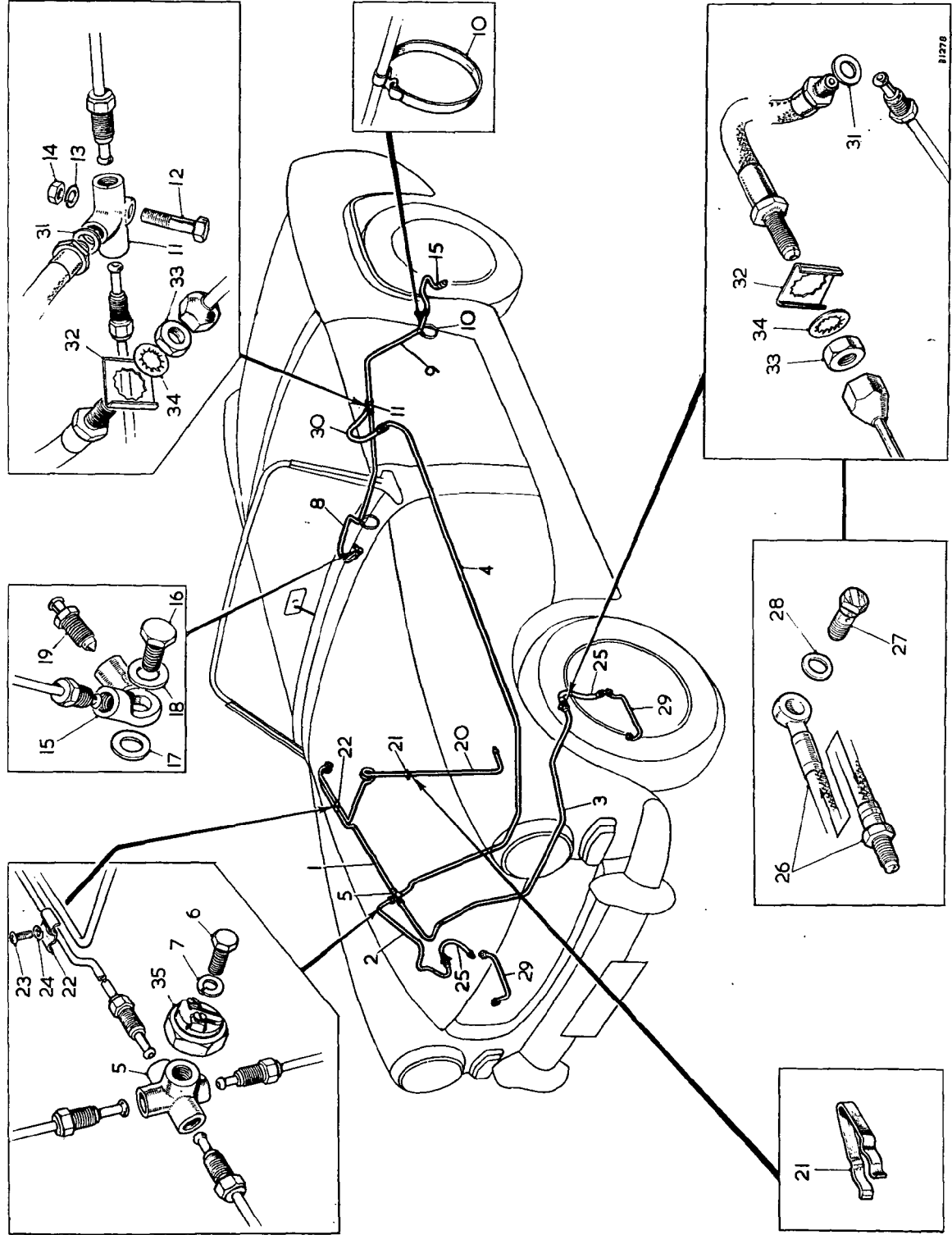
**SERVICE PARTS LIST**

**THE M.G. MIDGET**

Item No.	DESCRIPTION	Commencing (C) GAN1/101		Qty. per Veh.	MODIFICATIONS		REMARKS
		Part Number	Illus. No.		New Part Number	Change Point	
1							
2	Brake Controls—continued						
3	Push-rod—master cylinder—brake	2A5587	30	1	AHA6409	] Com. (C) 16184	
4	Push-rod—master cylinder—clutch	2A5587	31	1	AHA6409		
5	Locknut—push-rod	FNZ205	32	2			
6	Fork end—push-rod	2A5576	33	2			
7	Pin—clevis—fork end to pedal	2A5575	34	2			
8	Circlip—pin	1B3498	35	2			
9	Bolt—master cylinder to pedal box (3" [7.62 cm.])	HBZ0624	36	1			
10	Bolt—master cylinder to pedal box (3 1/4" [8.25 cm.])	HBZ0626	37	1			
11	Washer—spring—bolt	LWZ206	38	2			
12	Nut—bolt	FNZ106	39	2			
13	Box assembly—pedal	2A5538	40	1			
14	Excluder—draught—pedal box	2A5572	41	1			
15	Washer—joint—pedal box to footwell	2A5549	42	1	AH A6366	Com. (C) 6179	2A5549 not available; use AHA6366
16	Screw—pedal box to footwell (3/8" [1.6 cm.])	HZS0405	43	9			
17	Screw—pedal box to footwell (1" [2.5 cm.])	HZS0408	44	10			
18	Washer—spring—screw	LWZ304					
19	Plate—blanking—footwell	2A5589					
20	Washer—joint—blanking plate to footwell	2A5549			AH A6366	Com. (C) 6179	2A5549 not available; use AHA6366
	Screw—blanking plate to footwell	HZS0405					
	Washer—spring—screw	LWZ304					



A3780B



**SERVICE PARTS LIST**

**THE M.G. MIDGET**

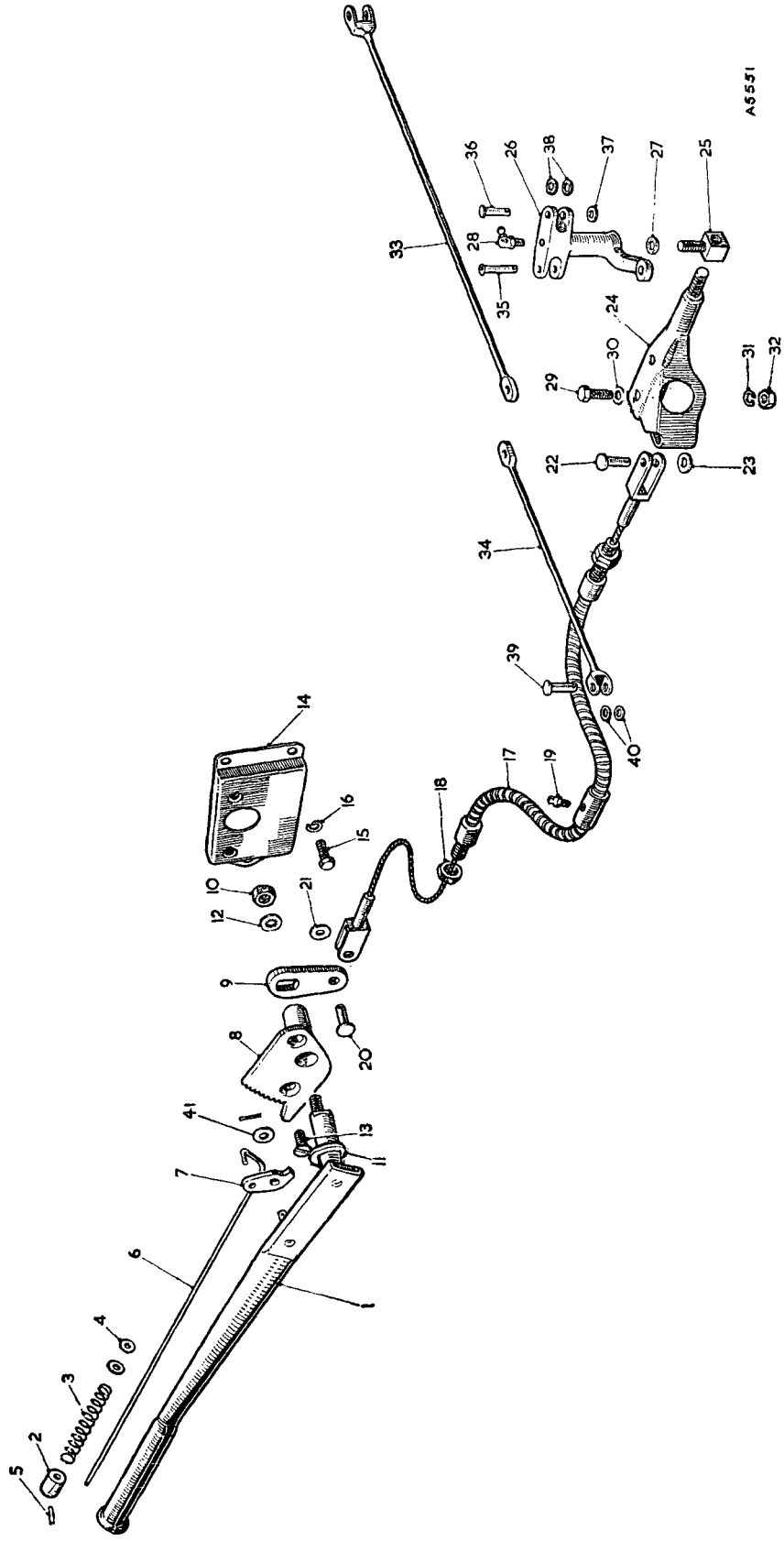
Item No.	DESCRIPTION	Commencing (C) GANI/101		Qty. per Veh.	MODIFICATIONS		REMARKS
		Part Number	Illus. No.		New Part Number	Change Point	
	<b>BRAKE AND CLUTCH PIPES</b>						
1	Pipe—master cylinder to 4-way connection	2A5605	1	1			
2	Pipe—master cylinder to 4-way connection	AHA5507		1			
3	Pipe—4-way connection to RH front brake hose	2A5607	2	1			
4	Pipe—4-way connection to LH front brake hose	2A5609	3	1			
5	Pipe—4-way connection to rear brake hose	2A5611	4	1			
6	Connection—4-way	17H7108	5	1			
7	Bolt—connection to RH wheel arch	HBZ0408	6	1			
8	Washer—spring—bolt	LWZ204	7	1			
9	Pipe—3-way connection to RH rear brake	17H7531	8	1			
10	Pipe—3-way connection to LH rear brake	2A2181	9	1	AHA6482	Com. (C) 13555	
11	Strap—pipe to axle	ACA5875	10	2	ACB9162		
12	Connection—3-way	3H2424	11	1			
13	Bolt—3-way connection to gear carrier	HBZ0410	12	1			
14	Washer—spring—bolt	LWZ204	13	1			
15	Nut—bolt	FNZ104	14	1			
16	Connection—banjo	AHH5634	15	2			
17	Bolt for banjo connection	7H7847	16	2			
18	Gasket—small—bolt	3H2287	17	2			
19	Gasket—large—bolt	3H550	18	2			
20	Screw—bleeder	3H2428	19	2			
21	Pipe—master cylinder to clutch cylinder	2A5615	20	1			
22	Pipe—master cylinder to clutch cylinder	AHA5508		1			
23	Clip—brake and clutch pipe to frame	6K35	21	5			
24	Clip—brake and clutch pipe to footwell	2H400	22	1			
25	Screw—clip to footwell	PMZ0305	23	1			
26	Washer—spring—screw	LWZ203	24	1			
27	Clip—brake and clutch pipe to dash	CHR0307		4			
28	Screw—clip to dash	PMZ0305		4			
29	Washer—spring—screw	LWZ203		4			
30	Nut—screw	FNZ103		4			
31	Clip—brake and clutch pipe to cover-plate bolt	PCR0811		3			
32	Hose—front brake	13H83	25	2		Fin. (C) 16183	
33	Hose—front brake		26	2		Com. (C) 16184	
34	Bolt—banjo		27	2		Fin. (C) 16183	
35	Gasket—bolt		28	2			
36	Pipe—bridge—hose to wheel cylinder	21D69	29	2	BHA4311		
37	Hose—rear brake	BCA4031	30	1	11D5264		
38	Gasket—hose	3H2287	31	3	3H550		
39	Plate—locking—hose	1G9198	32	3			
40	Nut—hose to frame bracket	FNZ106	33	3			
41	Washer—shakeproof—hose	LWN406	34	3			
42	<b>Switch—stop light</b>	<b>2A5740</b>	<b>35</b>	<b>1</b>			Part No. change; was AHA5198

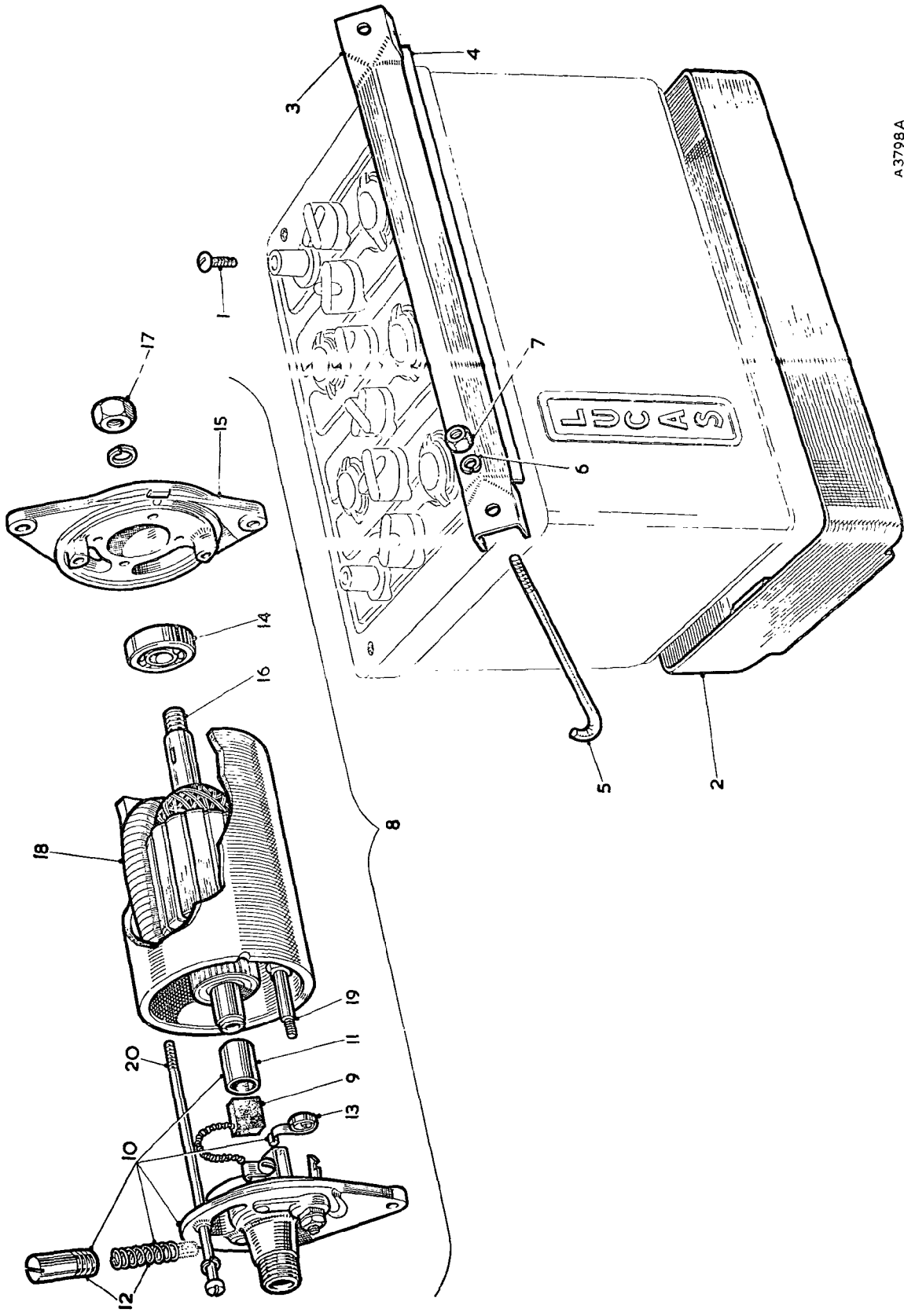


**SERVICE PARTS LIST**

**THE M.G. MIDGET**

Item No.	DESCRIPTION	Commencing (C) GANJ/101		Qty. per Veh.	MODIFICATIONS		REMARKS
		Part Number	Illus. No.		New Part Number	Change Point	
	<b>HAND BRAKE LEVER AND LINKAGE</b>						
1	Hand brake assembly	2A7290		1			
2	Handle assembly	7H5944	1	1			
3	Plunger—thumb	7H5948	2	1			
4	Spring—plunger	7H5950	3	1			
5	Washer—plunger (rubber)	7H5951	4	1			
6	Pin—plunger	MPS4304	5	1			Part No. change; was 7H5952
7	Rod—pawl	7H5945	6	1	17H2093	Com. (C) 18868	
8	Pawl	7H5946	7	1			
9	Washer—anti-rattle—pawl pivot	AWN104	41	1			
10	Ratchet and tube	7H5947	8	1			
11	Link—main spindle	7H5949	9	1			
12	Nut—main spindle	FNZ106	10	1			
13	Washer—anti-rattle—main spindle	17H2091	11	1			
14	Washer—shakeproof—main spindle	LWZ406	12	1			
15	Screw—hand brake to bracket	1B8859	13	2			
16	Bracket—hand brake mounting	2A7291	14	1			
17	Screw—bracket to tunnel	HZS0505	15	3			
18	Washer—spring—screw	LWZ205	16	3			
19	<b>Cable assembly—hand brake</b>	2A7308	17	1			
20	Locknut—cable	1B7864	18	3			
21	Lubricator—cable	UHN105	10	1			
22	Pin—clevis—cable to hand brake lever	CLS0515	20	1			
23	Washer—clevis pin	PWZ105	21	1			
24	Pin—clevis—cable to balance lever	CLZ0414	22	1			
25	Washer—clevis pin	PWZ104	23	1			
26	Support—balance lever	ATA7320	24	1			
27	Carrier—balance lever	2A7058	25	1			
28	Lever—balance	2A7057	26	1			
29	Washer—balance lever (felt)	2K5820	27	1			
30	Lubricator—balance lever	UHN490	28	1			
31	Screw—balance lever support to axle	HZS0506	29	2			
32	Washer—plain—screw	PWZ105	30	2			
33	Washer—spring—screw	LWZ805	31	2			
34	Nut—screw	FNZ105	32	2			
35	<b>Cross-rod—long—RH</b>	ATA7458	33	1	BTA498	Com. (C) 13555	
36	Cross-rod—short—LH	ATA7459	34	1	BTA497	Com. (C) 13555	
37	Pin—cross-rod to balance lever—long	6K870	35	1			
38	Pin—cross-rod to balance lever—short	6K889	36	1			
39	Washer—plain—pin	AJD7092	37	1			
40	Pin—cross-rod to balance lever		87	1	CLZ0814	Com. (C) 18554	
41	Washer—pin (felt)		86	1			Part No. change; was 6K0605
42	Pin—clevis—cross-rod to brake	6K690	38	4			
43	Washer—pin (felt)	CLZ0514	39	2	2K6980	Com. (C) 18555	
		ATA7187	40	4	2K5291	Com. (C) 18555	





A3798A

**SERVICE PARTS LIST**

**THE M.G. MIDGET**

Item No.	DESCRIPTION	Commencing GANI/101 (C)		Qty. per Veh.	New Part Number	MODIFICATIONS		REMARKS
		Part Number	Illus. No.			Change Point		
<b>ELECTRICAL EQUIPMENT</b>								
<b>BATTERY</b>								
1	Battery	NSP		1				
2	Screw—terminal	2K8645	1	2				
3	Tray—battery	4G6680	2	1	AHA6305		Com. (C) 3734	
4	Bar—battery fixing	14G5508	3	1				
5	Packing—bar to battery	14G7532	4	1				
6	Rod—battery fixing	14A4667	5	2				
7	Washer—spring—rod	LWZ304	6	2				
8	Nut—rod	FNZ104	7	2				
<b>DYNAMO</b>								
9	Dynamo	AEA309	8	1	AEJ49			
10	Brushes	7H5028	9	1 set	47H5388			
11	Bracket—commutator end	27H5420	10	1	57H5338			
12	Bush	7H5390	11	1				
13	Older	7H5527	12	1				
14	Spring—brush tension	7H5031	13	1 set	47H5389			
15	Bearing—drive end	97H626	14	1				
16	Bracket—drive end	7H5388	15	1	57H5389			
17	Armature	37H5207	16	1	57H5340			
18	Nut—armature shaft	FNN207	17	1				

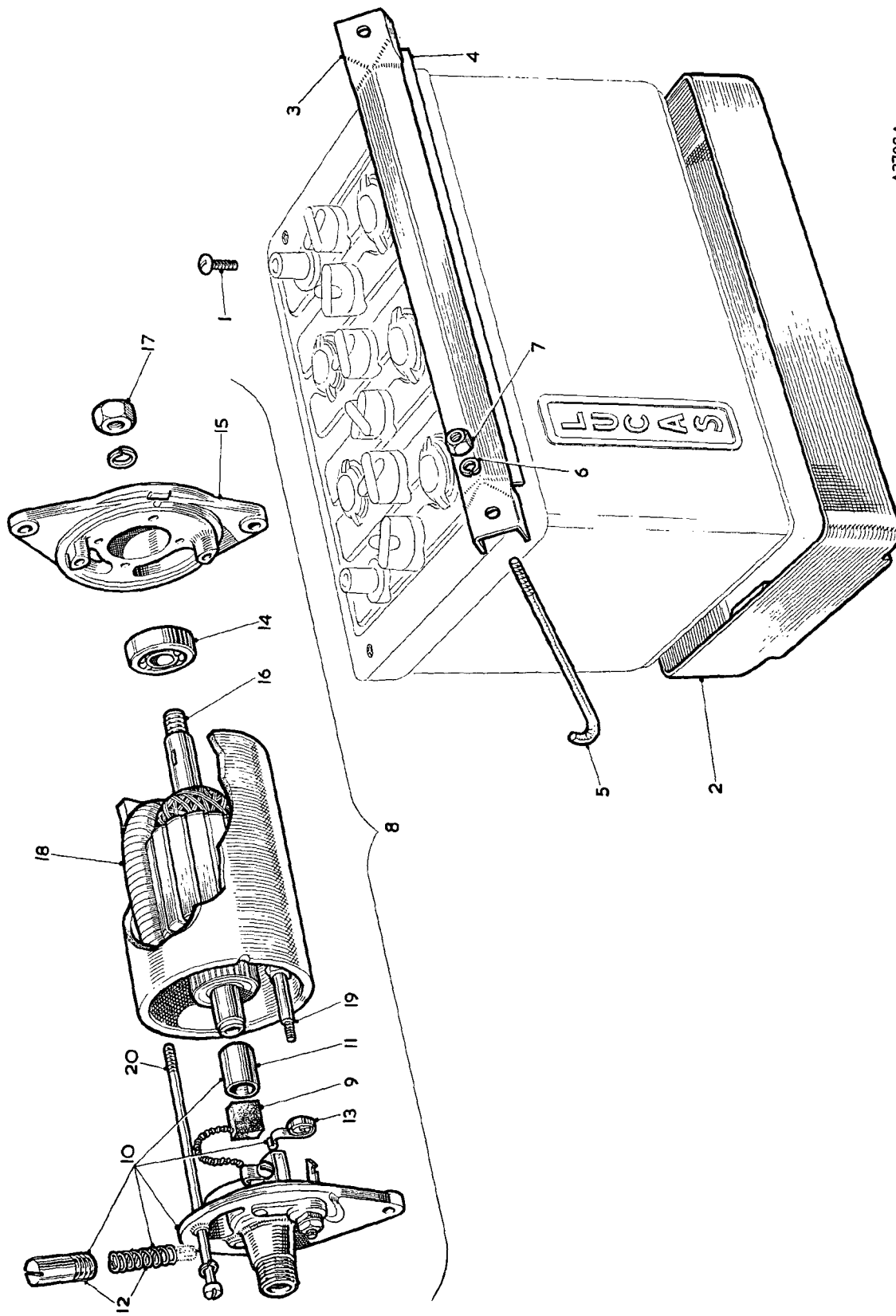
Com. (C) 3941 except 3563, 3564, 3616, 3632 to 3639, 3653, 3655 to 3659, 3666 to 3668, 3687, 3834, 3904, 3925, 5188, 5189, 7508 to 7519

Com. (C) 3941 except 3563, 3564, 3616, 3622 to 3639, 3653, 3655 to 3659, 3666 to 3668, 3687, 3834, 3904, 3925, 5188, 5189, 7508 to 7519

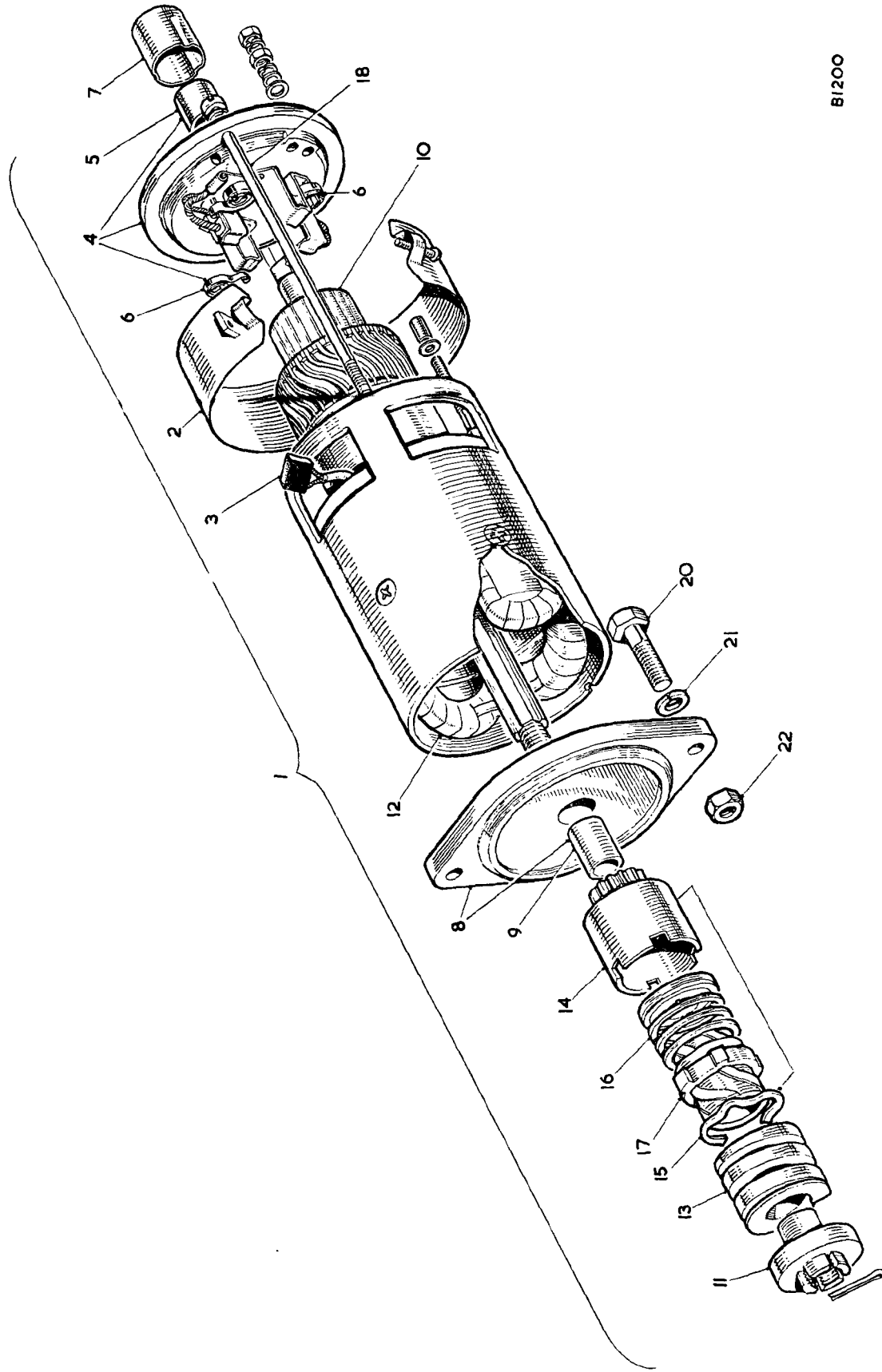
Com. (C) 3941 except 3563, 3564, 3616, 3632 to 3639, 3653, 3655 to 3659, 3666 to 3668, 3687, 3834, 3904, 3925, 5188, 5189, 7508 to 7519

Finished (C) 16183. For dynamo fitted to 1098 c.c. engine see Power Unit publication AKD3411





A3798A



B1200





**SERVICE PARTS LIST**

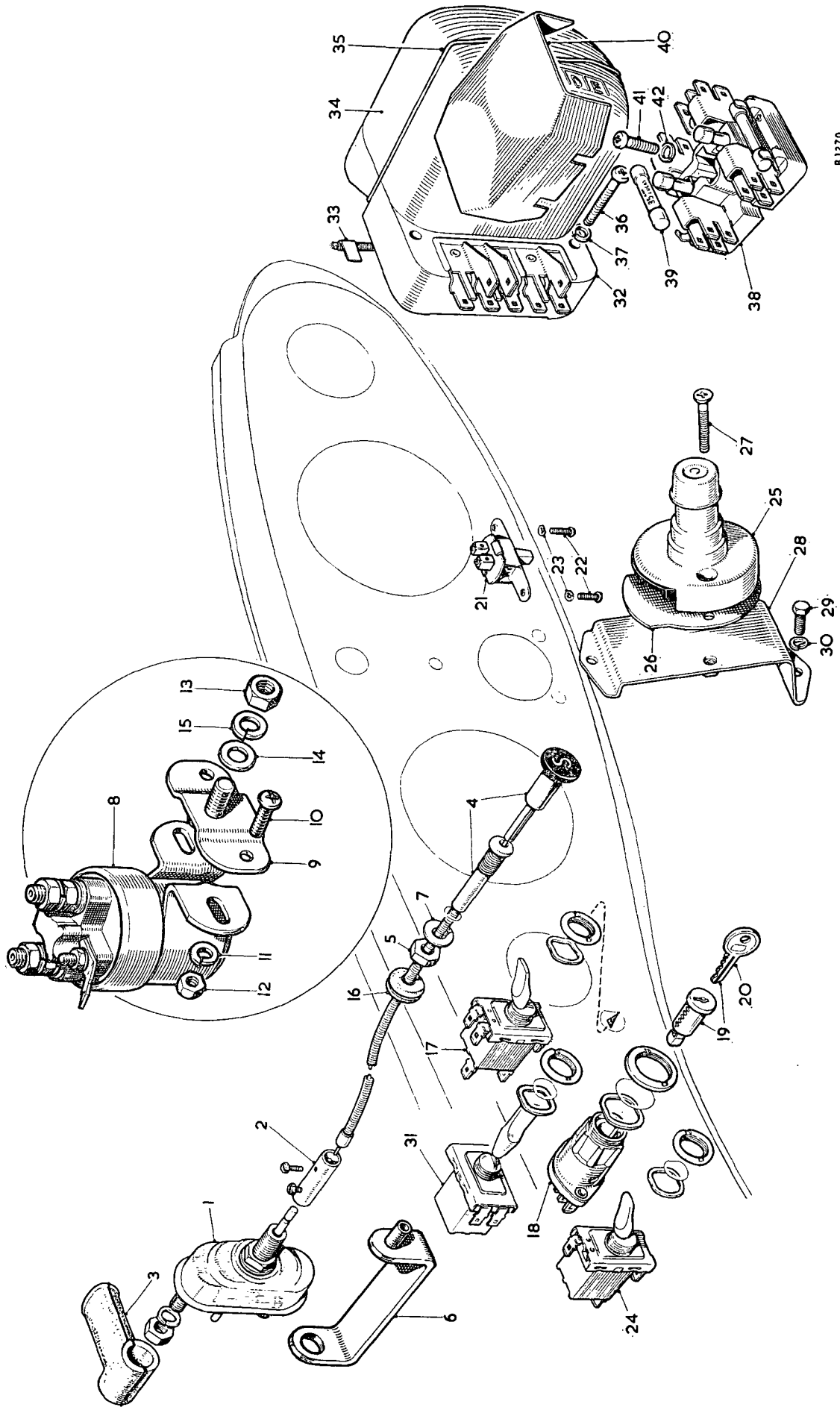
**THE M.G. MIDGET**

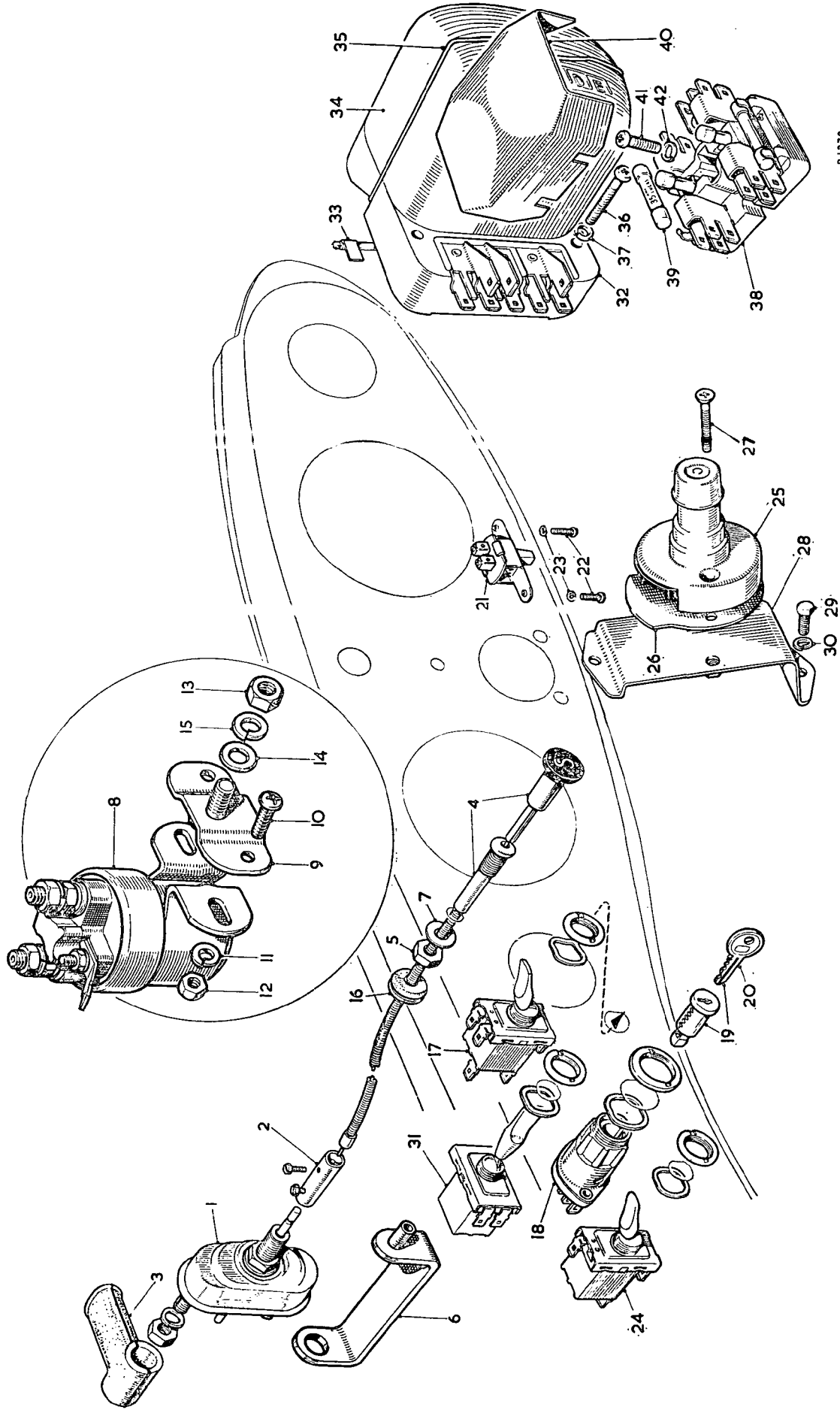
Item No.	DESCRIPTION	Commencing (C) GANI/101		Qty. per Vch.	MODIFICATIONS		REMARKS
		Part Number	Illus. No.		New Part Number	Change Point	
1	Switch—starter	3H949	1	1			
2	Coupling—starter switch to control	3H950	2	1			
3	Boot—terminal (rubber)	8G548	3	2			
4	<b>Cable assembly—starter control</b> <b>RHD</b>	<b>2A2085</b>	<b>4</b>	<b>1</b>			
5	Cable—inner (complete with knob)	97H2071	1	1			
6	Cable—outer	97H2072	1	1			
7	Nut	97H2073	5	1			
8	<b>Cable assembly—starter control</b> <b>LHD</b>	<b>AHA6202</b>	<b>1</b>	<b>1</b>			
9	Bracket—starter control	129089	6	1			
10	Washer—plain—cable to fascia	PWZ106	7	1			
11	<b>Solenoid—starter</b>	<b>BHA4265</b>	<b>8</b>	<b>1</b>			
12	Bracket—solenoid mounting	AHA6269	9	1			
13	Screw—solenoid to bracket	PMZ0808	10	2			
14	Washer—spring—screw	LWZ2203	11	2			
15	Nut—screw	FNZ103	12	2			
16	Nut—solenoid mounting bracket to starter switch bracket	FNZ105	13	1			
17	Washer—plain—nut	PWZ205	14	1			
18	Washer—spring—nut	LWZ205	15	1			
19	Grommet—cable through dash	RFN803	16	1			
20	Switch—lighting	BCA4294	17	1			
21	Switch—ignition	BHA4234	18	1			
22	<b>Lock—ignition switch</b>	<b>2H4185</b>	<b>19</b>	<b>1</b>			
23	Key	ANK4646	20	2			
24	Switch—panel light	3H8100	21	1			
25	Screw—switch to fascia	AJD1703N	22	2			
26	Washer—spring—screw	LWZ202	23	2			
27	Switch—windscreen wiper	BHA4237	24	1			
28	Switch—headlamp dipper	18H176	25	1			
29	Pad—dipper switch (rubber)	57H5591	26	1			
30	Screw—switch to mounting bracket	CMZ0818	27	2			
31	Bracket—mounting—dipper switch	AHA5516	28	1			
32	Screw—mounting bracket to footwell	PMZ0408	29	2			
33	Washer—spring—screw	LWZ204	30	2			
34	Switch—flasher	BHA4188	31	1			
35	Switch—fog lamp	BCA4294	31	1			

For use when steering lock is fitted

Part No. change; was 7H9830

Optional extra





B1270

To face page N.5

**SERVICE PARTS LIST**

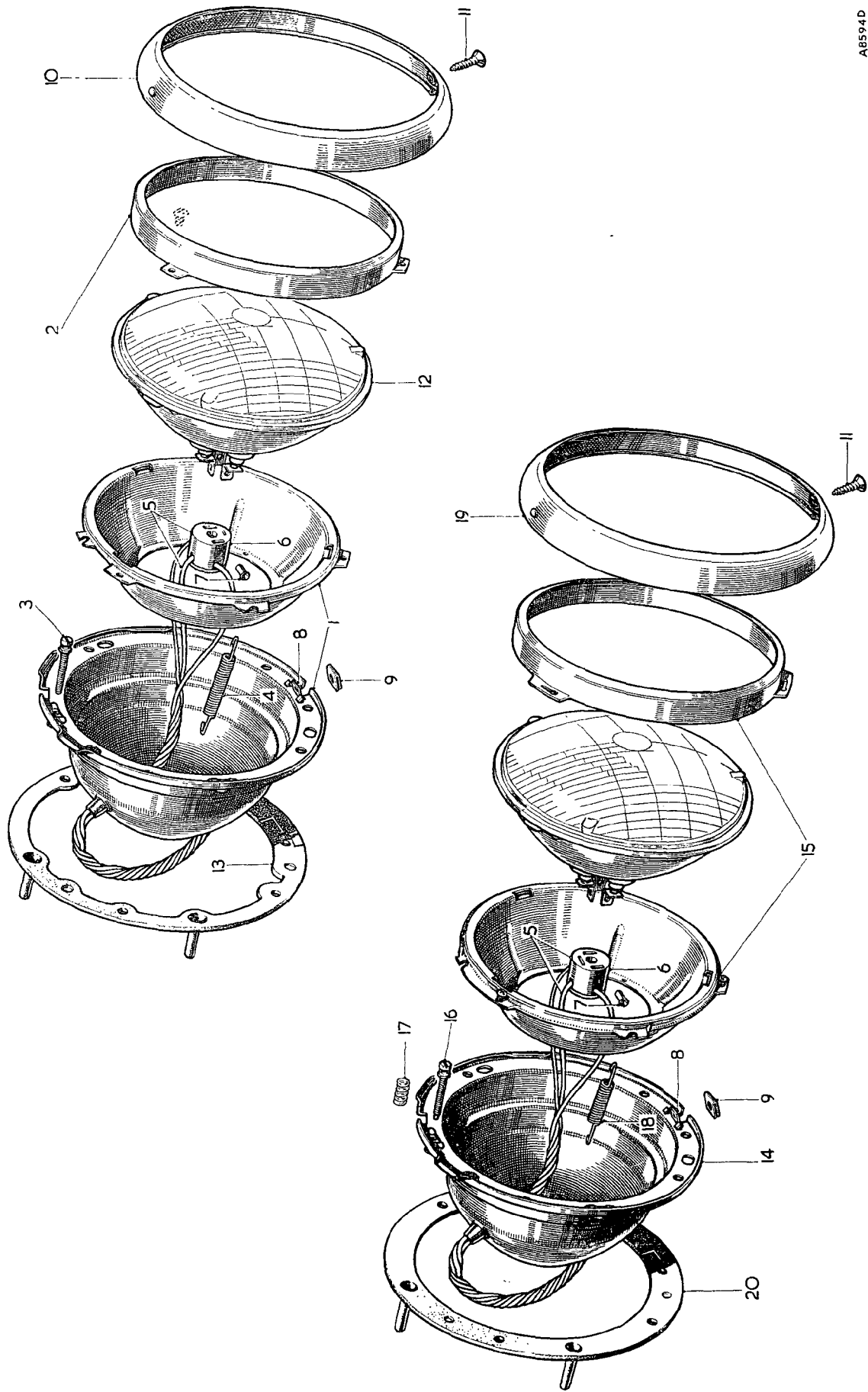
**THE M.G. MIDGET**

Item No.	DESCRIPTION	Commencing (C) GANI/101		Qty. per Veh.	MODIFICATIONS		REMARKS
		Part Number	Illus. No.		New Part Number	Change Point	
1	 Switches—continued Box—control .....	13H142	32	1	BGA4308	Com. (C) 3491 except 3563, 3564, 3616, 3632 to 3639, 3653, 3655 to 3659, 3686 to 3688, 3687, 3834, 3904, 3925, 5188, 5189, 7508 to 7519	
2	Resistance (63 ohms)—carbon type	7H5066	33	1			] See Service Memorandum MG/842
3	Resistance (60 ohms)—wire-wound	47H5589	34	1			
4	Cover	7H5522	35	1			
5	Clip—cover	7H5128	36	1			
6	Screw—control box to dash panel	PMZ0320	37	2			
7	Washer—spring—screw	LWZ203	38	2			
8	<b>Fusebox</b>	13H252	38	1			
9	Fuse (35-amp.)	7H5067	39	1			
10	Cover	47H5212	40	1			
11	Screw—fusebox to footwell top panel	PMZ0310	41	1			
12	Washer—spring—screw	LWZ203	42	1			

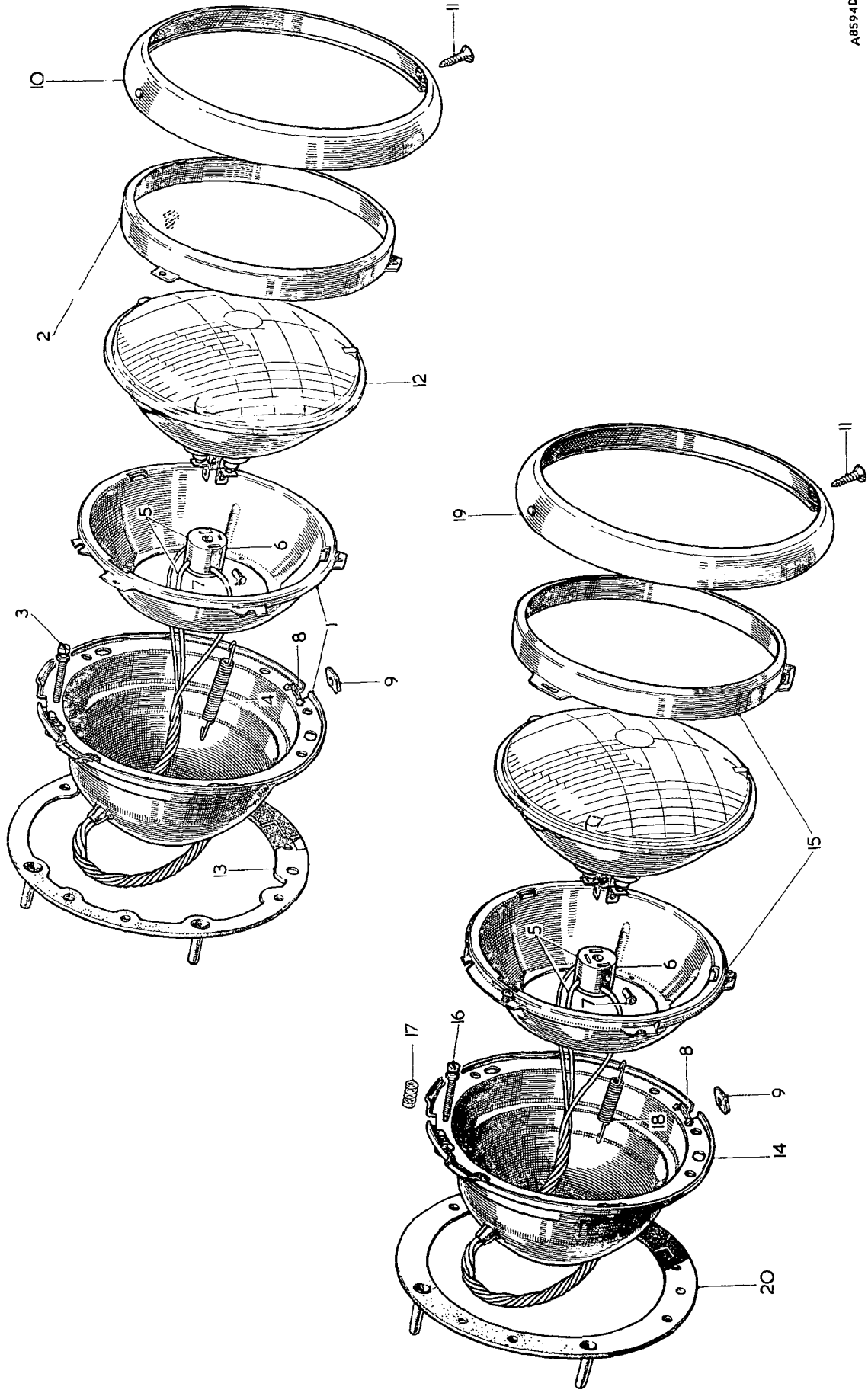
**SERVICE PARTS LIST**

**THE M.G. MIDGET**

Item No.	DESCRIPTION	Commencing (C) GANI/101		Qty. per Vch.	MODIFICATIONS		REMARKS
		Part Number	Illus. No.		New Part Number	Change Point	
1	<b>Headlamp</b> ..... <b>Except Europe, RHD</b>	<b>BHA4247</b>		<b>2</b>		<b>Fin. (C) 6737</b>	<b>No longer available; use component parts</b>
2	<b>Body assembly</b> .....	<b>67H5024</b>	<b>1</b>	<b>2</b>			
3	Plate—light unit retaining .....	57H5292	2	2			
4	Screw—beam adjustment .....	67H5025	3	4			
5	Spring—rim—light unit seating .....	67H5026	4	2			
6	<b>Adaptor and cable assembly</b> .....	<b>BHA4235</b>	<b>5</b>	<b>2</b>			
7	<b>Adaptor</b> .....	<b>47H5126</b>	<b>6</b>	<b>2</b>			
8	Sleeve—terminal .....	7H5582	7	6			Alternatives
9	Sleeve—terminal .....	37H5271	8	6			
10	Bracket—rim fixing .....	37H5190	8	2			
11	Nut—rim fixing screw .....	27H5354	9	2			
12	<b>Rim assembly</b> .....	<b>17H5147</b>	<b>10</b>	<b>2</b>	<b>17H5143</b>	<b>Com. (C) 6738</b>	
13	Screw—rim fixing .....	AJA5081	11	2			
14	Light unit .....	13H496	12	2			
15	Gasket—body .....	57H5353	13	2	57H5456	Com. (C) 6738	
16	<b>Headlamp</b> ..... <b>USA, LHD</b>	<b>57H5382</b>		<b>2</b>			<b>No longer available; use component parts</b>
17	<b>Body assembly</b> .....	<b>67H5024</b>	<b>1</b>	<b>2</b>			
18	Plate—light unit retaining .....	57H5292	2	2			
19	Screw—beam adjustment .....	67H5025	3	4			
20	Spring—rim—light unit seating .....	67H5026	4	2			
21	<b>Adaptor and cable assembly</b> .....	<b>BHA4235</b>	<b>5</b>	<b>2</b>			
22	<b>Adaptor</b> .....	<b>47H5126</b>	<b>6</b>	<b>2</b>			
23	Sleeve—terminal .....	7H5582	7	6			Alternatives
24	Sleeve—terminal .....	37H5271	8	6			
25	Bracket—rim fixing .....	37H5190	8	2			
26	Nut—rim fixing screw .....	27H5354	9	2			
27	<b>Rim assembly</b> .....	<b>17H5147</b>	<b>10</b>	<b>2</b>			
28	Screw—rim fixing .....	AJA5081	11	2			
29	Gasket—body .....	57H5353	13	2			



ABS94D



ABS94D

**SERVICE PARTS LIST**

**THE M.G. MIDGET**

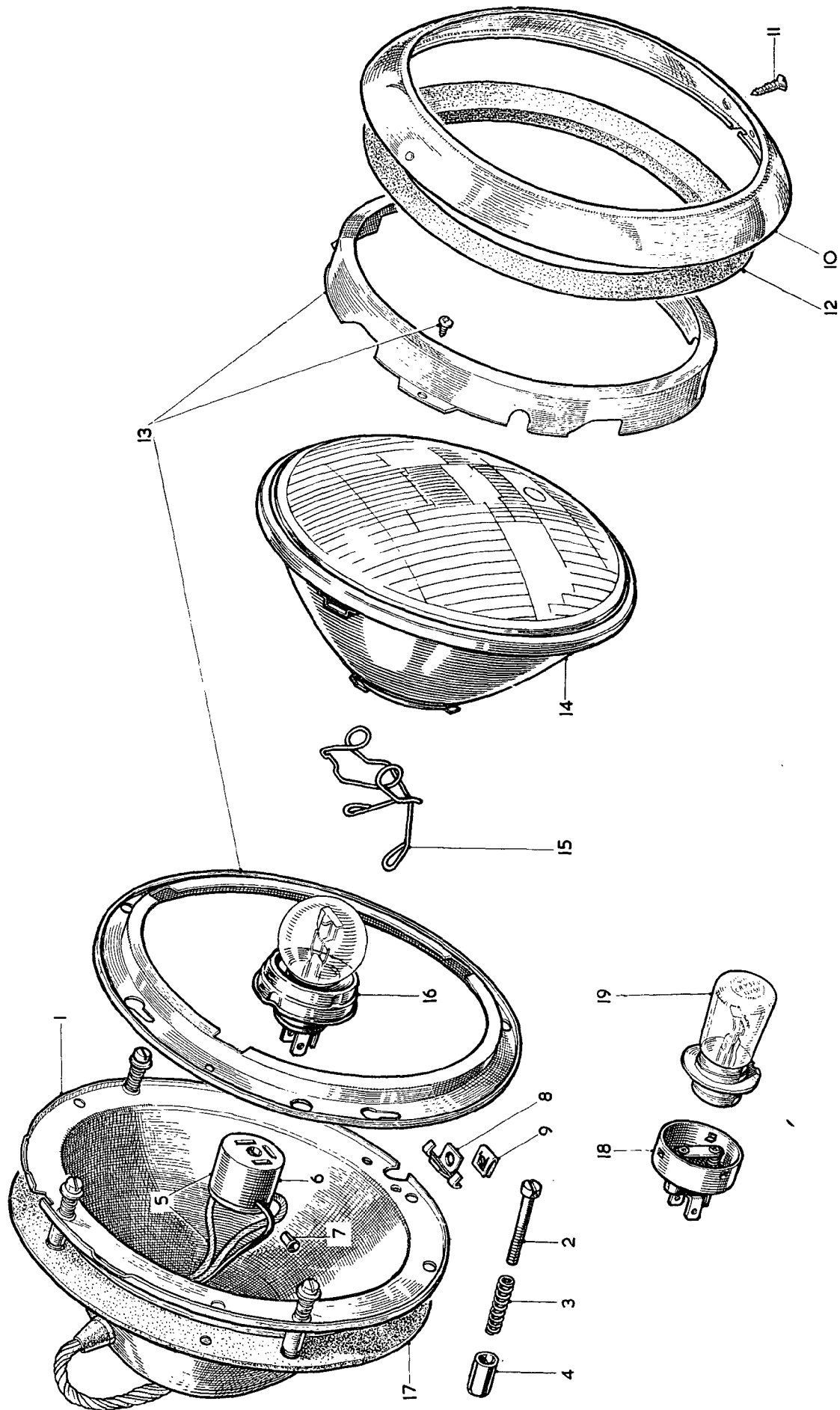
Item No.	DESCRIPTION	Commencing (C) GANI/101		Qty. per Veh.	MODIFICATIONS		REMARKS
		Part Number	Illus. No.		New Part Number	Change Point	
1	Lamps (Road)—continued Headlamp			2			No longer available; use component part
2	Body assembly			2	57H5009		
3	Plate—light unit retaining		14	2	67M5029		
4	Screw—beam adjustment		15	2	17H5278		
5	Spring—screw		16	4	17H5230		
6	Spring—rim—light unit seating		17	4	17H5231		
7	Adaptor and cable assembly		18	2	17H5277		
8	Adaptor		5	2	BWA4235		
9	Sleeve—terminal		6	2	47H5126		
10	Sleeve—terminal		7	6	7H5582		
11	Bracket—rim fixing		8	2	37H5271		
12	Nut—rim fixing screw		9	2	27H5554		
13	Rim assembly		19	2	47M5554		
14	Screw—rim fixing		11	2	AJA5081		
15	Gasket—body		20	2	17H5214		
16	Headlamp			2	NSP		
17	Body assembly		1	2	67M5024		
18	Plate—light unit retaining		2	2	57H5292		
19	Screw—beam adjustment		3	4	67H5025		
20	Spring—rim—light unit seating		4	2	67H5026		
21	Adaptor and cable assembly		5	2	BWA4235		
22	Adaptor		6	2	47H5126		
23	Sleeve—terminal		7	6	7H5582		
24	Sleeve—terminal		8	6	37H5271		
25	Bracket—rim fixing		8	2	37H5190		
26	Nut—rim fixing screw		9	2	27H5354		
27	Rim assembly			2	17H5143		
28	Screw—rim fixing			2	AJA5081		
29	Gasket—body			2	57H5456		



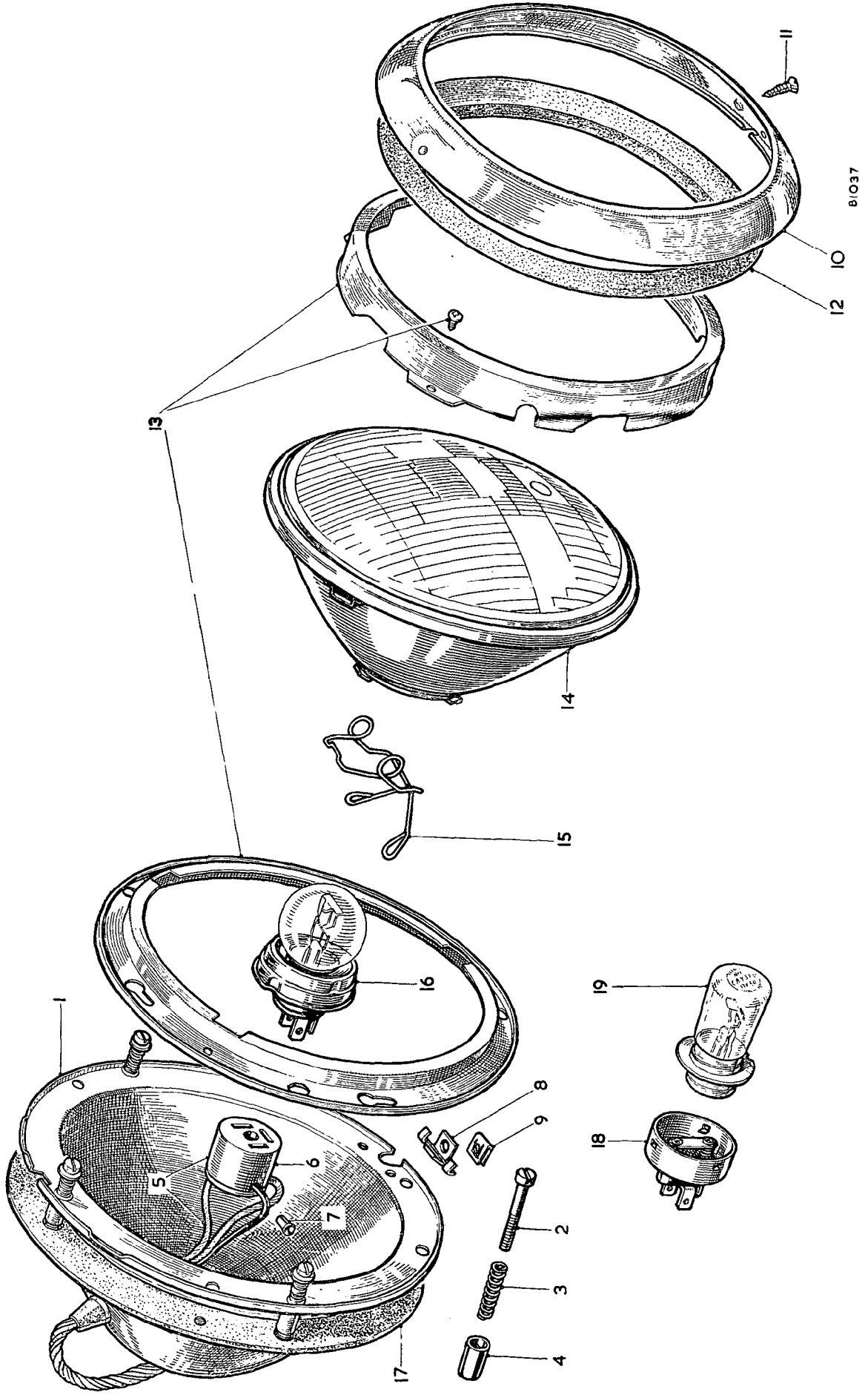
**SERVICE PARTS LIST**

**THE M.G. MIDGET**

Item No.	DESCRIPTION	Commencing (C) GANI/101		Qty. per Veh.	MODIFICATIONS		REMARKS
		Part Number	Illus. No.		New Part Number	Change Point	
1	Lamps (Road)—continued Headlamp	BCA4302		2		Fin. (C) 5891	No longer available; use component parts
2	Body assembly	67H5028	1	2			
3	Screw—beam adjustment	17H5894	2	6			
4	Spring—screw	17H5231	3	6			
5	Sleeve—sealing	27H5253	4	6			
6	Adaptor and cable assembly	BHA4235	5	2			
7	Adaptor	47H5126	6	2			
8	Sleeve—terminal	7H5582	7	6			Alternatives
9	Sleeve—terminal	37H5271	8	6			
10	Bracket—rim fixing	37H5190	9	2			
11	Nut—rim fixing screw	27H5354	10	2	17H5143	Com. (C) 5892	
12	Rim assembly	17H5147	11	2		Fin. (C) 5801	
13	Screw—rim fixing	AJA5081	12	2			
14	Excluder—dust	3EH2962	13	2			
15	Plate—light unit retaining	17H5205	14	2			
16	Light unit	47H5124	15	2			
17	Spring—bulb retaining	47H5125	16	2			Part No. change; was 18H138
18	Bulb—vertical dip	BFS410	17	2	57H5457	Com. (C) 5892	No longer available; use component parts
19	Gasket—body	3H1031					
20	Headlamp	BCA4303				Fin. (C) 6870	
21	Body assembly	67H5028	1	2			
22	Screw—beam adjustment	17H5894	2	6			
23	Spring—screw	17H5231	3	6			
24	Sleeve—sealing	27H5253	4	6			
25	Adaptor and cable assembly	BHA4235	5	2			
26	Adaptor	47H5126	6	2			
27	Sleeve—terminal	7H5582	7	6			Alternatives
28	Sleeve—terminal	37H5271	8	6			
29	Bracket—rim fixing	37H5190	9	2			
30	Nut—rim fixing screw	27H5354	10	2	17H5143	Com. (C) 6871	
31	Rim assembly	17H5147	11	2		Fin. (C) 6870	
32	Screw—rim fixing	AJA5081	12	2			
33	Excluder—dust	3EH2962	13	2			
34	Plate—light unit retaining	17H5205	14	2			
35	Light unit	47H5124	15	2			
36	Spring—bulb retaining	47H5125	16	2			Part No. change; was 18H139
37	Bulb—vertical dip—yellow	BFS411	17	2	57H5457	Com. (C) 6871	
38	Gasket—body	3H1031					



81037



**SERVICE PARTS LIST**

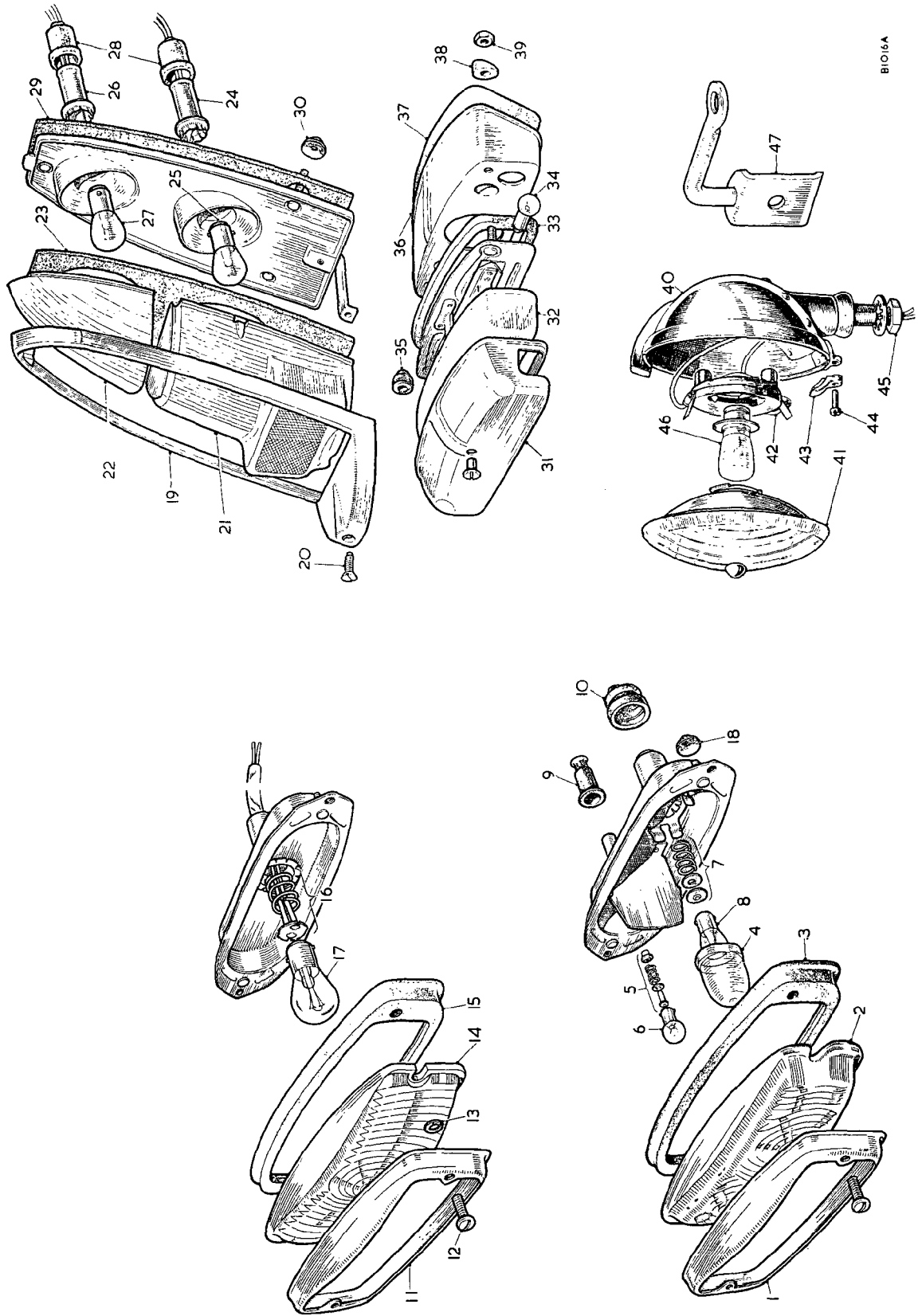
**THE M.G. MIDGET**

Item No.	DESCRIPTION	Commencing (C) GANI/101		Qty. per Veh.	MODIFICATIONS		REMARKS
		Part Number	Illus. No.		New Part Number	Change Point	
1	Lamps (Road)—continued Headlamp			2		Fin. (C) 12369	No longer available; use component parts
2	Body assembly	BMK391	1	2			
3	Screw—beam adjustment	67H5028	2	2			
4	Spring—screw	17H5394	3	2			
5	Sleeve—sealing	17H5281	4	6			
6	Adaptor and cable assembly	27H5253	5	6			
7	Adaptor	BMA4235	6	2			
8	Sleeve—terminal	47H5126	7	6			Alternatives
9	Sleeve—terminal	7H5582	8	6			
10	Bracket—rim fixing	37H5271	9	2			
11	Nut—rim fixing screw	37H5190	10	2	17H5143	Com. (C) 12370	
12	Rim assembly	17H5147	11	2		Fin. (C) 12369	
13	Screw—rim fixing	AJA5081	12	2			
14	Excluder—dust	3H2962	13	2			
15	Plate—light unit retaining	17H5205	14	2			
16	Light unit	47H5528	15	2			
17	Spring—bulb retaining	47H5125	16	2			
18	Bulb—vertical dip	BFS410	17	2	57H5457	Com. (C) 12370	Part No. change; was 13H188
19	Gasket—body	3H1081	17	2		Fin. (C) 4803	No longer available; use component parts
20	Headlamp	17H5543	1	2			
21	Body assembly	67H5028	1	2			
22	Screw—beam adjustment	17H5394	2	6			
23	Spring—screw	17H5281	3	6			
24	Sleeve—sealing	27H5253	4	6			
25	Adaptor and cable assembly	BMA4235	5	2			Part No. Change; was 17H5244
26	Adaptor	47H5126	6	2			
27	Sleeve—terminal	7H5582	7	6			Alternatives
28	Sleeve—terminal	37H5271	8	2			
29	Bracket—rim fixing	37H5190	9	2			
30	Nut—rim fixing screw	27H5384	10	2	17H5143	Com. (C) 4804	
31	Rim assembly	17H5147	11	2			
32	Screw—rim fixing	AJA5081	12	2			
33	Excluder—dust	3H2962	13	2			
34	Plate—light unit retaining	17H5205	14	2			
35	Light unit	17H5375	15	2			
36	Adaptor—conversion	17H5546	16	2			
37	Bulb—right dip	BFS555	17	2	57H5457	Com. (C) 4804	Part No. change; was 3H1893
38	Gasket—body	3H1081	17	2			
39	Screw—headlamp to wing	PMZ0310	8	8			
40	Washer—spring—screw	LWZ203	8	8			
41	Nut—screw	FNZ108	8	8			

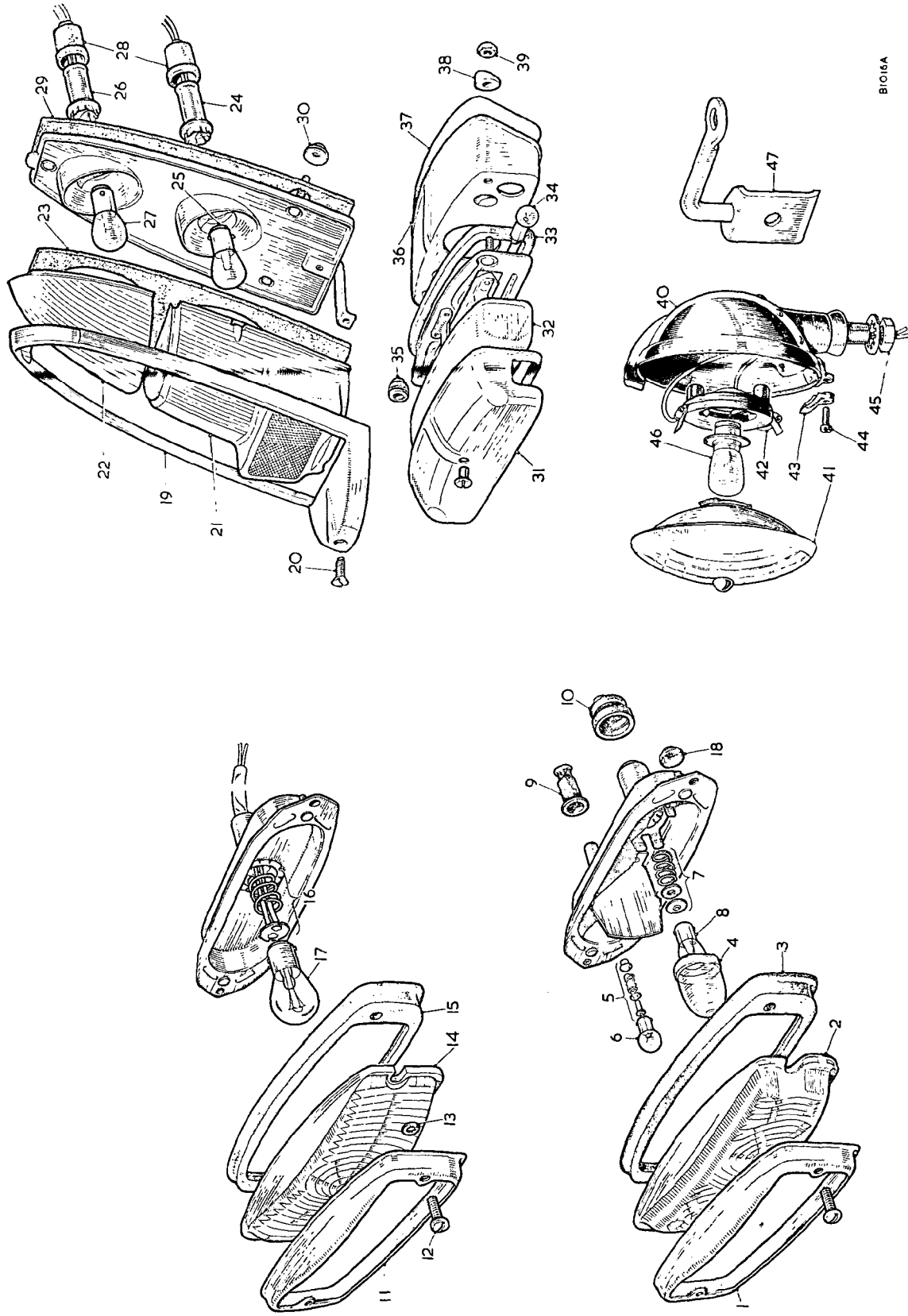
**SERVICE PARTS LIST**

**THE M.G. MIDGET**

Item No.	DESCRIPTION	Commencing (C) GANI/101		Qty. per Veh.	MODIFICATIONS		REMARKS
		Part Number	Illus. No.		New Part Number	Change Point	
1	Lamps (Road)—continued						
2	Lamp—side and flasher—RH—amber	13H429	1	1			
3	Lamp—side and flasher—LH—amber	13H428	1	1			
4	Rim	57H5155	2	1			
5	Lens—RH	57H5158	1	1			
6	Lens—LH	57H5159	3	2			
7	Gasket—lens seating	57H5157	4	2			
8	Shield—flasher bulb	57H5156	5	2			
9	Interior—bulb holder—sidelamp	7H5336	6	2			
10	Bulb—sidelamp	BFS222	7	2			Part No. change; was 1D9081
11	Interior—bulb holder—flasher lamp	37H5452	8	2			Part No. change; was 1F9012
12	Bulb—flasher	BFS382	9	2			
13	Grommet—sidelamp cable	37H5294	10	2			
14	Grommet—flasher lamp cable	17H5216	11	2			
15	Lamp—side and flasher—white	BHA4204	12	4			
16	Rim	57H5308	13	4			
17	Screw—rim fixing	57H5306	14	2			
18	Washer—screw	21C9057	15	2			
19	Lens	57H5307	16	2			
20	Gasket—lens seating	37H5459	17	2			Part No. change; was 1F9026
21	Interior—bulb holder	BFS380	18	4			
22	Bulb	2A9156	19	2			
23	Dotloc—earthing type—lamp to wing	BHA4175	20	2			
24	Lamp—stop/tail/flasher and reflex—amber	BHA4176	21	2			
25	Lamp—stop/tail/flasher and reflex—red	57H5355	22	2			
26	Rim	17H5425	23	2			
27	Screw—rim fixing	57H5357	24	2			
28	Lens—stop/tail	57H5354	25	2			
29	Lens—flasher—amber	57H5356	26	2			
30	Lens—flasher—red	57H5359	27	2			
31	Gasket—lens seating	37H5459	28	4			Part No. change; was 1F9026
32	Interior—bulb holder—stop/tail	BFS380	29	2			Part No. change; was 1F9012
33	Bulb—stop/tail	37H5452	30	6			
34	Interior—bulb holder—flasher	BFS382					
35	Bulb—flasher	37H5525					
36	Grommet—cable	57H5358					
37	Gasket—lamp seating	BHA4242					
	Dotloc—earthing type—lamp to body						



BIO 6A



B1016A

SERVICE PARTS LIST

THE M.G. MIDGET

Item No.	DESCRIPTION	Commencing (C) GANI/101		Qty. per Veh.	MODIFICATIONS		REMARKS
		Part Number	Illus. No.		New Part Number	Change Point	
1	Lamps (Road)—continued						
2	Lamp—number-plate	BHA4153	31	1			
3	Cover	7H5185	82	1			
4	Lens	57H5128	83	1			
5	Gasket—lens seating	57H5368	84	2			
6	Bulb	BFS989	85	1			Part No. change, was 2H4817
7	Grommet—cable	7H5164	36	1 set			
8	Sundry parts	7H5123	37	1			
9	Plinth—number-plate lamp	AHA5809	38	1			
10	Seal—plinth to body	AHA5806	39	2			
11	Washer—packing—plinth to body	AHA5805	40	2			
12	Locknut—plinth to body	LNZ204	41	2			
13	Lamp—fog	ADM785	42	2			
14	Light unit	ACG5179	43	2			
15	Adaptor assembly	ACG5180	44	2			
16	Catch—rim	AJH5057	45	2			
17	Screw—catch	YH5400	46	2			
18	Nut—lamp spigot	YH5401	47	2			
19	Bulb	BFS323	47	2			
20	Bracket—fog lamp mounting—RH	AHA6368					
	Bracket—fog lamp mounting—LH	AHA6369					

Optional extra

Part No. change, was 2H4817

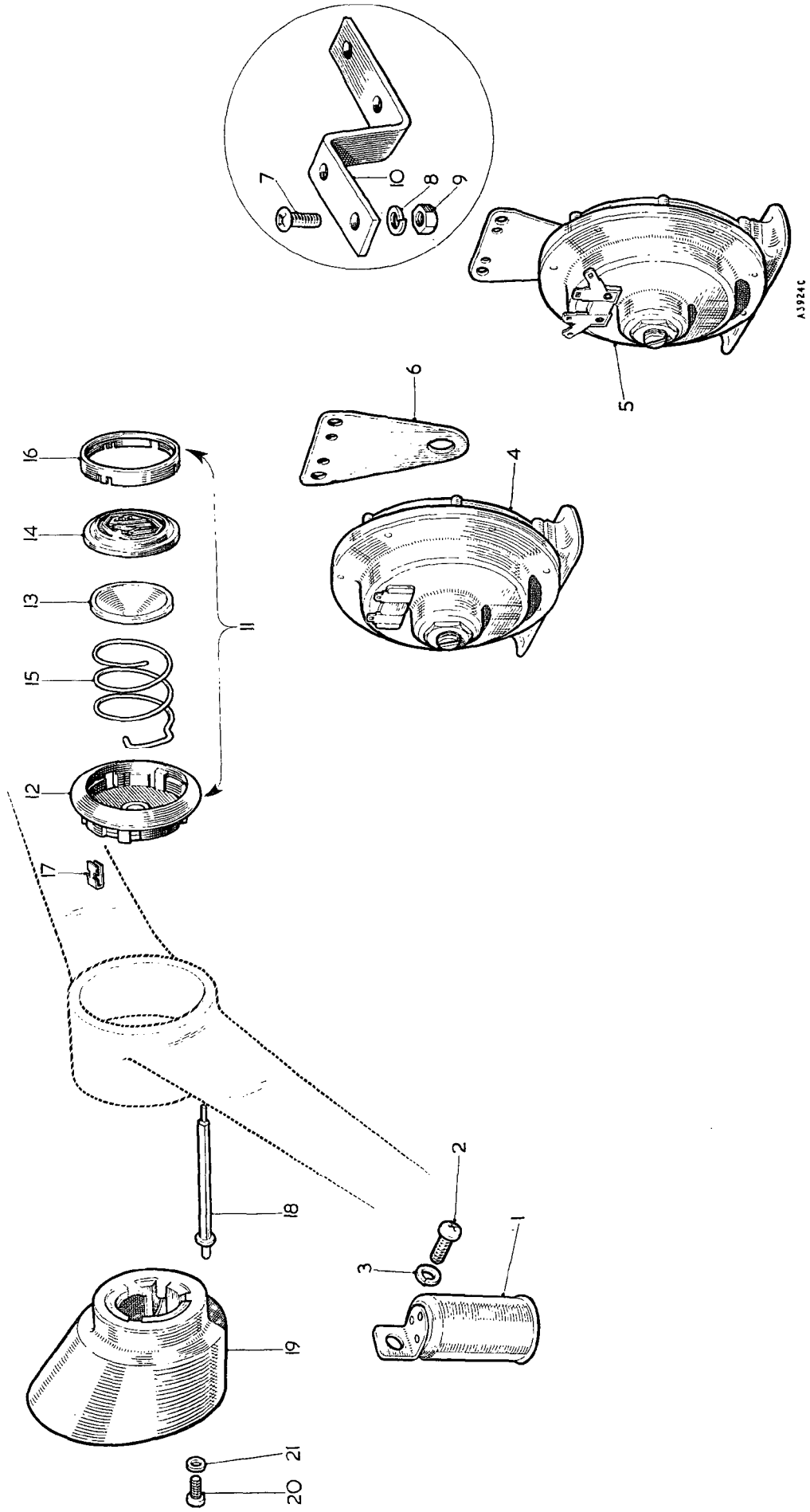
Fin. (C) not available

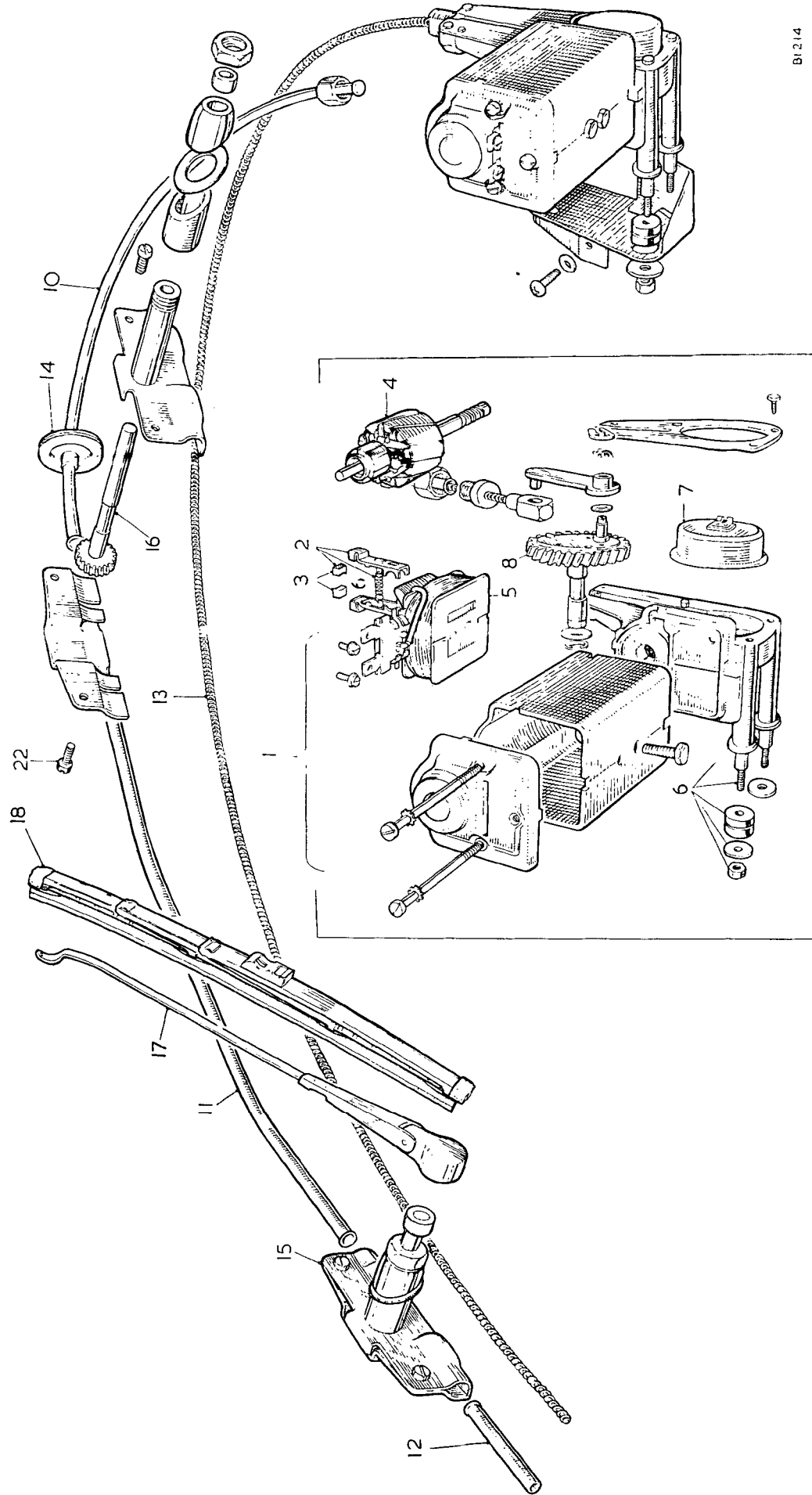


**SERVICE PARTS LIST**

**THE M.G. MIDGET**

Item No.	DESCRIPTION	Commencing (C) GAN1101		Qty. per Veh.	MODIFICATIONS		REMARKS
		Part Number	Illus. No.		New Part Number	Change Point	
1	<b>Flasher unit</b>	<b>13H110</b>	1	1			
2	Screw—flasher unit to dash	PMZ0408	2	1			
3	Washer—spring—screw	LWZ204	3	1			
4	Horn	BHA4186	1	1		Fin. (C) not available	For BHA4186 use 13H472 for this application
5	<b>Horn—Windtone—high note</b>	<b>13H472</b>	4	1			<b>Optional extra</b>
6	<b>Horn—Windtone—low note</b>	<b>13H473</b>	5	1			Quantities increased when twin horns are fitted
7	Bracket	57H5309	6	1/2			
8	Sundry parts	57H5310	10	sets			
9	Screw—horn to body	PMZ0408	7	2/4			
10	Washer—spring—screw	LWZ204	8	2/4			
11	Nut—screw	FNZ104	9	2/4			
12	Bracket—horn mounting—RH		10	1		Com. (C) 16184	
13	Bracket—horn mounting—LH		11	1		Com. (C) 5034	Required when twin horns are fitted
14	<b>Horn-push assembly</b>	<b>AHA5661</b>	12	1			
15	Contact—bottom	57H5411	13	1		AHA6657 AHA6658	
16	Contact—top	27H5569	14	1		<b>AHA6371</b> 17H2074	
17	Knob—horn-push	57H5410	15	1			
18	Spring—knob	27H5570	16	1			
19	Bezel—horn-push	27H5568	17	1			
20	Clip—horn-push retaining	57H5423	18	2			
21	Brush—horn contact	2A6162	19	1		Com. (C) 5034	<b>AHA5703 not available; use 2A6158</b>
22	<b>Slip-ring and moulding assembly</b>	<b>AHA5703</b>	20	1			
23	Slip-ring and moulding assembly	AHA5704	21	1			
24	Screw—slip-ring and moulding to fascia	PMZ0205	22	3			
25	Washer—screw	6K9388	23	3			





B1214

**SERVICE PARTS LIST**

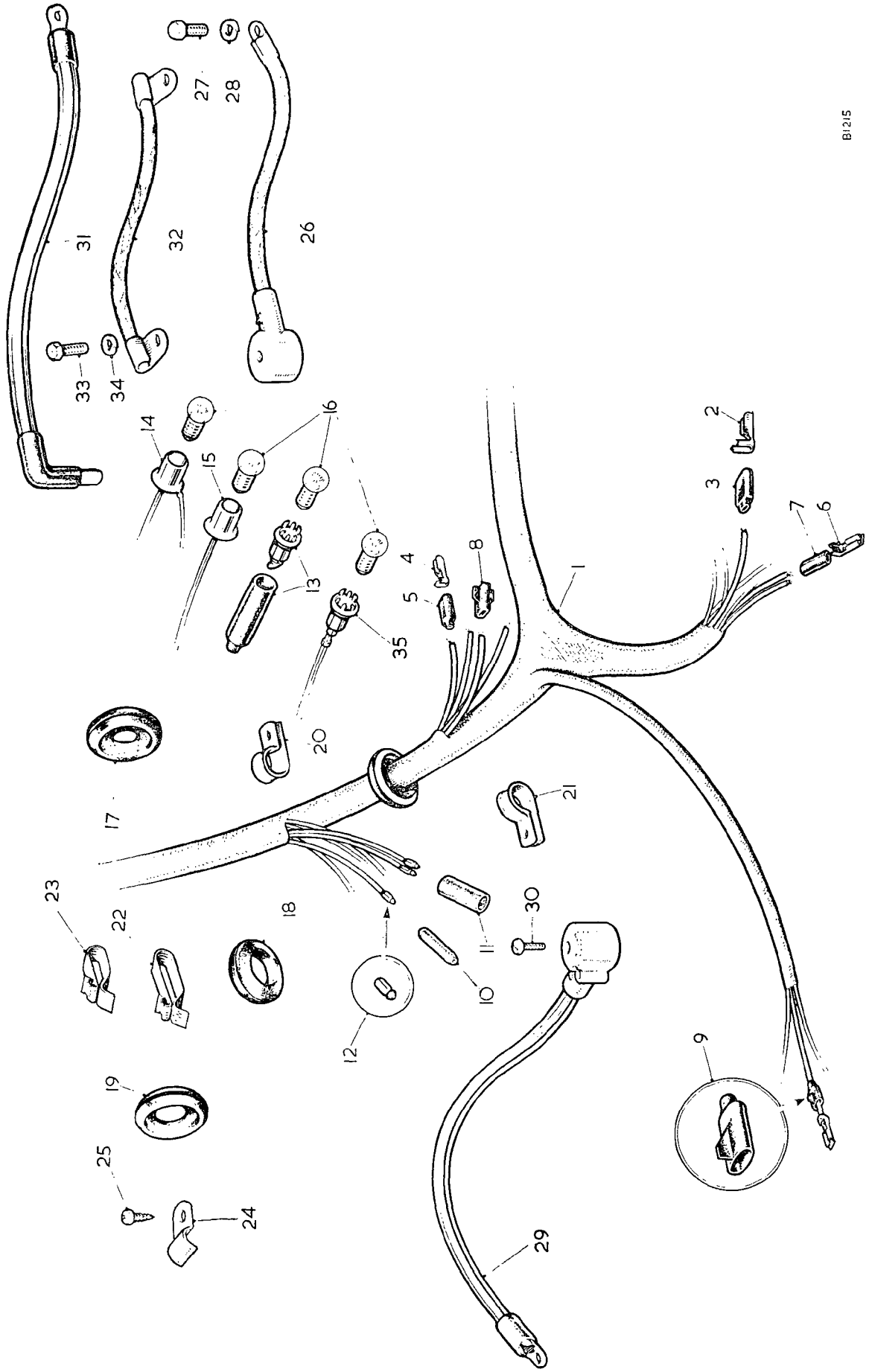
**THE M.G. MIDGET**

Item No.	DESCRIPTION	Commencing (C) GANI/101		Qty. Per Veh.	MODIFICATIONS		REMARKS
		Part Number	Illus. No.		New Part Number	Change Point	
	<b>WINDSCREEN WIPERS</b>						
1	Motor—windscreen wiper	57H5293	1	1	57H5555	Com. (C) RHD 3007, LHD 2206	
2	Brush gear	17H5396	2	1			
3	Brush	7H5130	3	1 set			
4	Armature	17H5255	4	1	27H5374	Com. (C) RHD 3007, LHD 2206	
5	Coil—field	57H5294	5	1			
6	Fixing parts	17H5431	6	1 set			
7	Switch—parking	47H5316	7	1	57H5559	Com. (C) RHD 3007, LHD 2206	
8	Shaft and gear	47H5315	8	1	57H5589		
9	Sundry parts	17H5441	10	1 set			
10	Casing—outer—motor to wheelbox	14A4801	10	1			
11	Casing—outer—wheelbox to wheelbox	14A4802	11	1			
12	Casing—outer—wheelbox extension	14G3722	12	1			
13	Gross-head and rack assembly	37H5169	13	1			
14	Grommet—casing through dash	8D5768	14	1			
15	Wheelbox	8HAA151	15	2			
16	Spindle and gear	AJH5079	16	2			
17	Arm—windscreen wiper	13H66	17	2			
18	Arm—windscreen wiper	13H68	18	2			
19	Blade—windscreen wiper	17H5512	18	2			

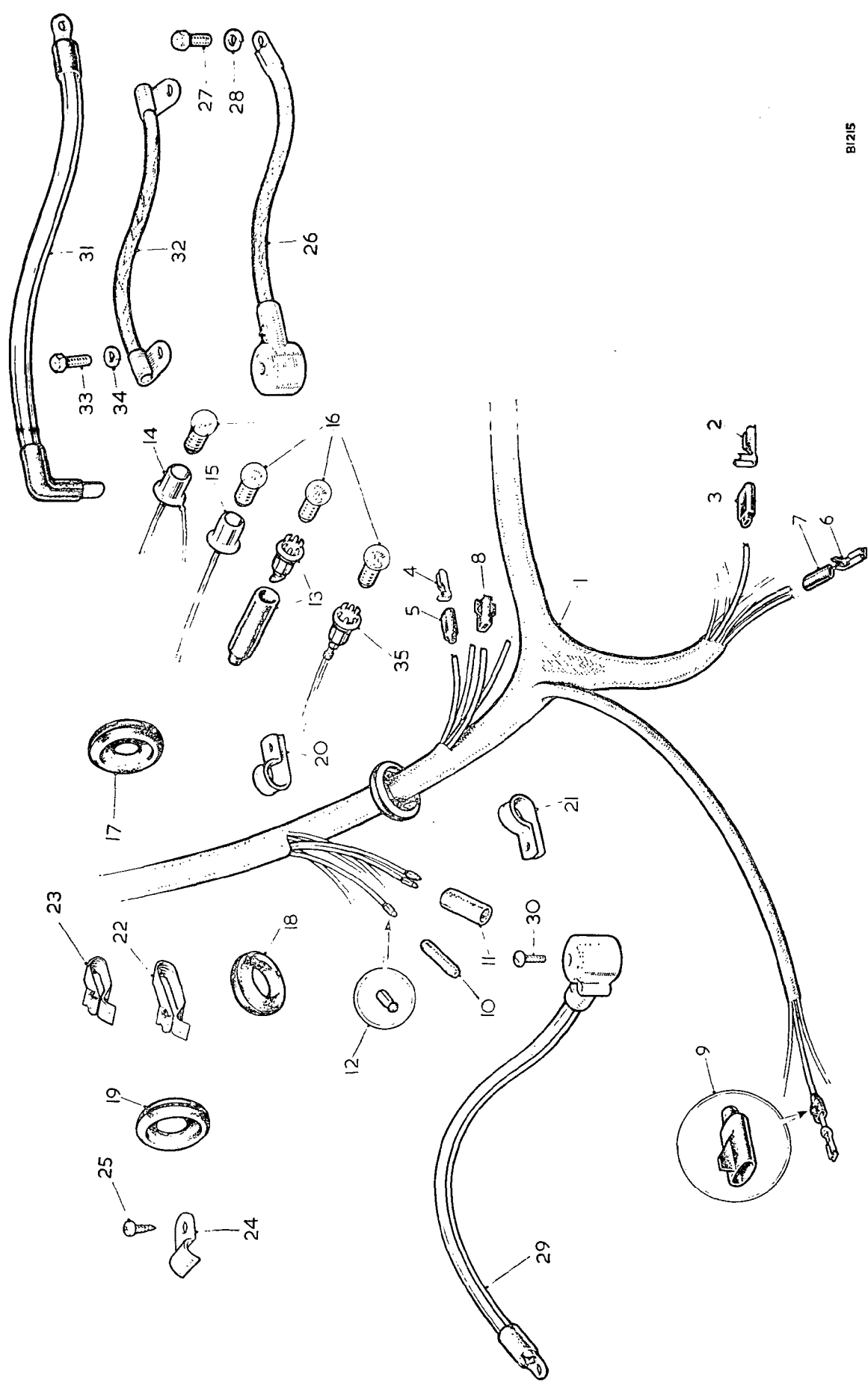
**SERVICE PARTS LIST**

**THE M.G. MIDGET**

Item No.	DESCRIPTION	Commencing (C) GANI/101		Qty. per Veh.	MODIFICATIONS		REMARKS
		Part Number	Illus. No.		New Part Number	Change Point	
1	<b>Harness—main</b>	<b>AHA5655</b>	<b>1</b>	<b>1</b>	<b>AHA6930</b>	<b>Com. (C) 16184</b>	
2	Connector—Lucar—female (35-amp.)	47H5419	2	A/R			Part No. change; was 47H5418
3	Insulator—connector (rubber)	5L289	3	A/R			
4	Connector—Lucar—female (14-amp.)	47H5496	4	A/R			Part No. change; was 47H5417
5	Insulator—connector (rubber)	5L286	5	A/R			
6	Connector—Lucar—female 2-wire (14-amp.)	47H5499	6	A/R			Part No. change; was 47H5500
7	Insulator—2-wire connector (rubber)	5L287	7	A/R			
8	Insulator	EMK449	8	A/R			Part No. change; was 47H5316
9	Insulator—wiper motor connector	5L285	9	A/R			
10	Connector—snap—single	2H3406	10	A/R			
11	Connector—snap—2-way	2H2617	11	A/R			
12	Plug—snap connector	2H2704	12	A/R			
13	Bulb holder—instrument illumination	37H5181	13	5			
14	Bulb holder—ignition warning light	57H5944	14	1	57H5445		57H5344 not available; use 57H5445
15	Bulb holder—main beam	57H5206	15	1			
16	Bulb	BFS987	16	7			Part No. change; was 2H4732
17	Grommet—main harness through dash	RFN303	17	1			
18	Grommet—main and lighting harness through baffle	RFN110	18	2			
19	Grommet—wiper motor cable through dash	RFN305	19	1			
20	Clip—main harness to RH wheel arch	PCR0007	20	1			
21	Clip—main harness to footwell—RH	PCR1009	21	1			
22	Clip—headlamp harness to bonnet locking platform	BHA4232	22	1			
23	Clip—headlamp harness to bonnet locking platform	BHA4233	23	2			
24	Clip—headlamp and sidelamp harness	PCR0607	24	2			
25	Grommet—headlamp harness through mud shield	RFN110	25	1			
26	<b>Harness—body</b>	<b>AHA5656</b>	<b>18</b>	<b>1</b>			
27	Connector—snap—single	2H3406	10	A/R			
28	Connector—snap—2-way	2H2617	11	A/R			
29	Plug—snap connector	2H2704	12	A/R			
30	Grommet—tank unit cable through rear floor	RFN303	17	1			
31	Grommet—number-plate lamp cable through rear panel	RFN303	17	1			
32	Grommet—number-plate lamp cable through body	RFN303	17	1			
33	Clip—body harness to sill—RH	CHR0403	24	1			
34	Screw—clip	PTZ603	25	1			



B1215



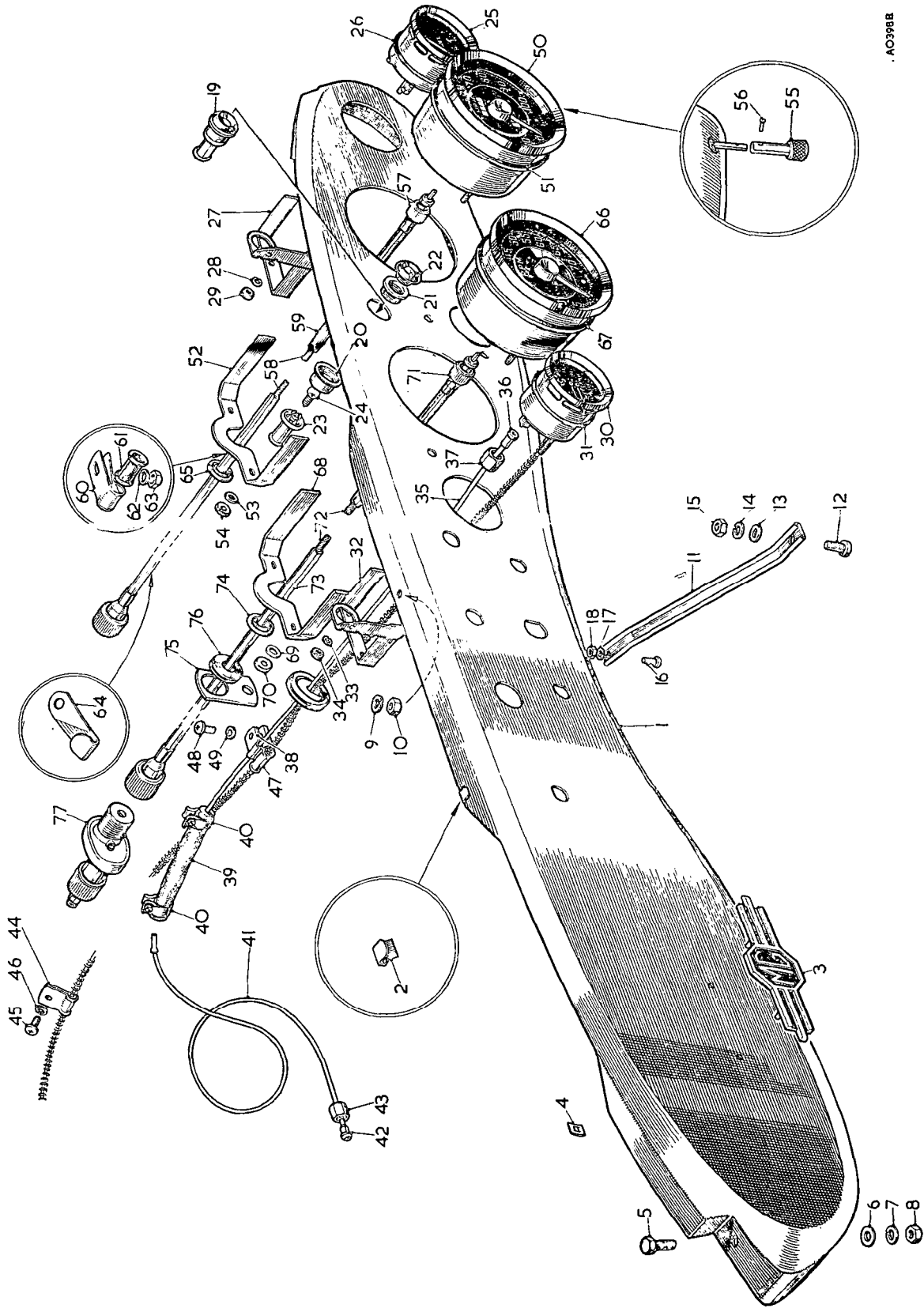
B1215

**SERVICE PARTS LIST**

**THE M.G. MIDGET**

Item No.	DESCRIPTION	Commencing (C) GANI/101		Qty. per Veh.	MODIFICATIONS		REMARKS
		Part Number	Illus. No.		New Part Number	Change Point	
1	<b>Cables and Connections—continued</b>						
2	<b>Cable—positive battery to earth</b>	<b>1B2802</b>	<b>26</b>	<b>1</b>			
3	Bolt—earth cable to dash	HZS0504	27	1			
4	Washer—spring—bolt	LWZ305	28	1			
5	<b>Cable—battery negative to starter switch</b>	<b>2A9076</b>	<b>29</b>	<b>1</b>			
6	<b>Cable—battery negative to starter solenoid</b>	<b>BHA4257</b>	<b>29</b>	<b>1</b>			<b>For use when steering lock is fitted</b>
7	Clip—negative cable to footwell	PCR0607	20	1			
8	Screw—clip	PMZ0808		1			
9	Washer—spring—screw	LWZ203		1			
10	Screw—cables to battery	2K8645	30	2			
11	<b>Cable—starter switch to starter</b>	<b>2A9075</b>	<b>31</b>	<b>1</b>			
12	<b>Cable—starter solenoid to starter</b>	<b>AHA6280</b>	<b>32</b>	<b>1</b>			
13	Bolt—cable to frame	2K6167	33	1			
14	Washer—spring—bolt	HZS0605	33	1			
15	Sleeve—dip switch cable wiring clip	LWZ306	34	1			
16	<b>Harness—horn</b>	<b>LHD</b>		<b>6</b>			
17	Connector—Lucar—female (14-amp.)	AHA5892		1			
18	Sleeve—connector (rubber)	47H5496	4	A/R			Part No. change; was 47H5417
19	Connector—snap (2-way)	5L286	5	A/R			
20	Plug—snap connector	2H2617	11	A/R			
21	<b>Harness—extension—horn to horn</b>	<b>2H2704</b>	<b>12</b>	<b>A/R</b>			For use with Windtone horns
22	Connector—Lucar—female (14-amp.)		4	4			
23	Sleeve—connector (rubber)		5	4			
24	Bulb holder and cable—tachometer illumination	2A9097	35	1			
25	Bulb	BFS987	16	1			Part No. change; was 2H4782
26	<b>Cable—steering lock</b>	<b>AHA6324</b>					<b>For use when steering lock is fitted</b>





AO3918B

**SERVICE PARTS LIST**

**THE M.G. MIDGET**

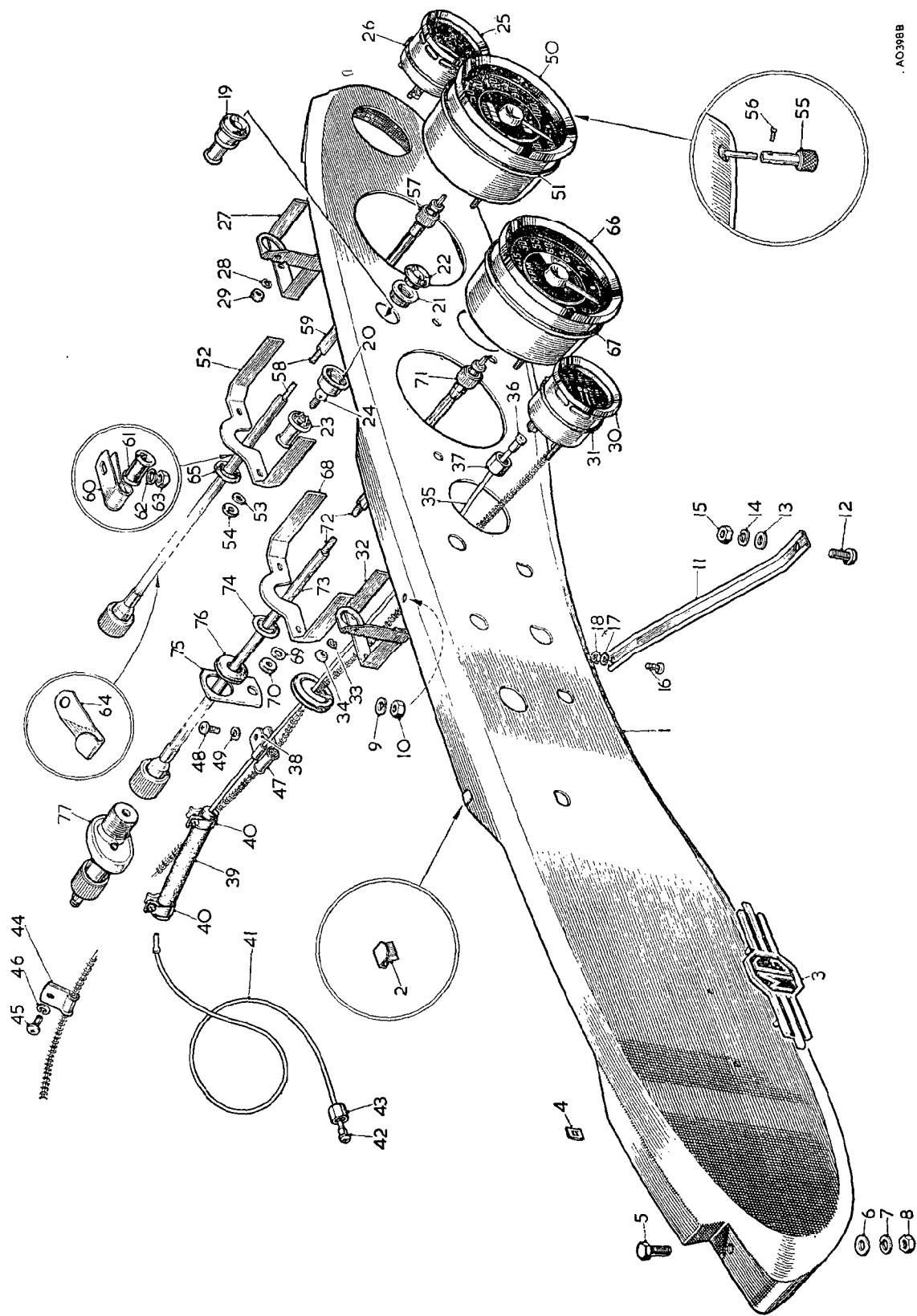
Item No.	DESCRIPTION	Commencing (C) GANI/101		Qty. per. Veh.	New Part Number	MODIFICATIONS		REMARKS
		Part Number	Illus. No.			Change Point		
	<b>FASCIA PANEL AND INSTRUMENTS</b>							
1	Panel—fascia	AHA5820	1	1				
2	Panel—fascia	AHA5821	1	1				
3	Clip—trim	1A44497	2	20				
4	Badge—MG	AHH5258	3	1				
5	Nut—spire—badge to fascia panel	ADB509	4	2				
6	Screw—fascia panel to 'A' post	HZS0405	5	2				
7	Washer—plain—screw	PWZ104	6	2				
8	Washer—spring—screw	LWZ204	7	2				
9	Nut—screw	FNZ104	8	2				
10	Washer—spring—fascia panel centre fixing stud	LWZ204	9	1				
11	Nut—fascia panel centre fixing stud	FNZ104	10	1				
12	Stay—fascia panel—bottom	1A44706	11	2				
13	Screw—stay to fascia panel	PMZ0410	12	2				
14	Washer—plain—screw	PWZ104	13	2				
15	Washer—spring—screw	LWZ204	14	2				
16	Nut—screw	FNZ104	15	2				
17	Screw—stay to dash	PMZ0208	16	2				
18	Washer—spring—screw	LWZ202	17	2				
19	Nut—screw	CNZ102	18	2				
20	Lamp—flasher warning	27H5596	19	1				
21	Body	27H5565	21	1				
22	Nut—body	27H5564	20	1				
23	Cover and lens—green	27H5597	22	1				
24	Bulb holder	37H5181	23	1				
25	Bulb	BFS987	24	1				
26	Gauge—fuel	BHA4214	25	1	BHA4381		Com. (C) 16184	
27	Ring (rubber)	17H1642	26	1				
28	Strap—fixing—and lamp holder complete	AJH5185	27	1				
29	Washer—spring	27H387	28	1				
30	Nut—thumb	17H982	29	1				
31	Gauge—oil pressure and radiator thermometer (Fahrenheit)	BHA4217	30	1	BHA4382		Com. (C) 16184	
32	Gauge—oil pressure and radiator thermometer (Centigrade)	BHA4250	31	1	BHA4383		Com. (C) 16184	
33	Ring (rubber)	27H1972	31	1				
34	Strap—fixing—and lamp holder complete	37H678	32	1				
35	Washer—spring	27H387	33	2				
36	Nut—thumb	17H932	34	2				

Part No. change; was 2H4782

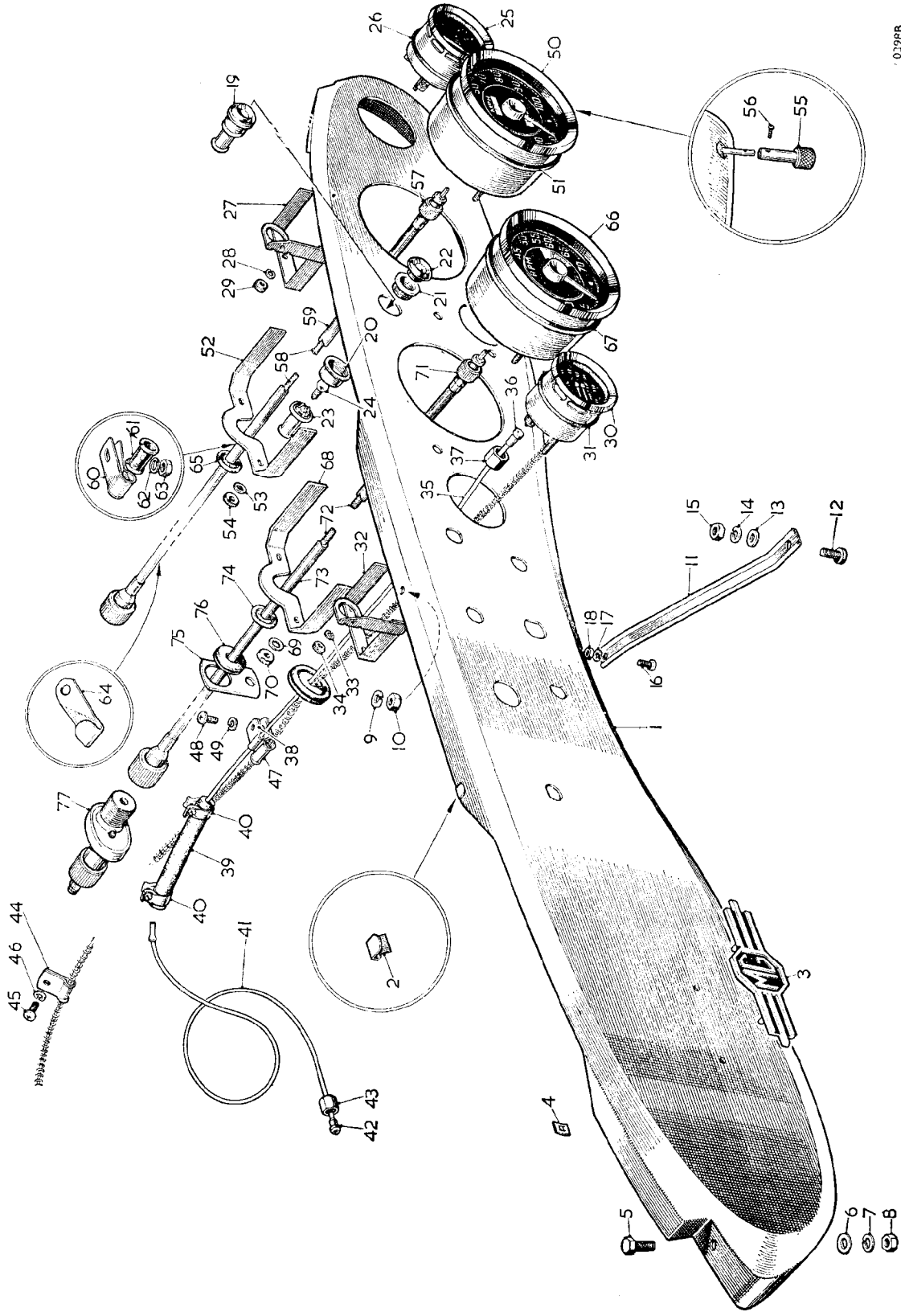
**SERVICE PARTS LIST**

**THE M.G. MIDGET**

Item No.	DESCRIPTION	Commencing (C) GANI/101		Qty. per Veh.	New Part Number	MODIFICATIONS		REMARKS
		Part Number	Illus. No.			Change Point		
1								
2	<b>Fascia Panel and Instruments—continued</b>							
3	Pipe—gauge to flexible pipe	<b>RHD</b>	<b>35</b>	<b>1</b>				
4	Union	<b>LHD</b>	36	1				
5	Nut	11B2087	37	1				
6	Clip—pipe to RH footwell	1C166	38	1	PCR0207		Com. (C) 14687	
7	Pipe—flexible	<b>AGA5420</b>	<b>39</b>	<b>1</b>	<b>AHA6331</b>		<b>Com. (C) 6167</b>	
8	Clip—flexible pipe	3H688	40	2				
9	Pipe—flexible pipe to engine	<b>2A5637</b>	<b>41</b>	<b>1</b>	<b>AHA6392</b>		<b>Com. (C) 6679</b>	
10	Nipple	ACA5422	42	1				
11	Nut	ACA5421	43	1				
12	Clip—thermometer capillary to RH wheel arch	PCR0307	44	2				
13	Screw—clip to RH wheel arch	PMZ0308	45	2				
14	Washer—spring—screw	LWZ203	46	2				
15	Clip—thermometer capillary to RH footwell	PCR0307	47	2				
16	Screw—clip to RH footwell	PMZ0306	48	1				
17	Washer—spring—screw	LWZ203	49	1				
18	<b>Speedometer (miles)</b>	<b>BHA4208</b>	<b>50</b>	<b>1</b>	<b>BHA4372</b>		<b>Com. (C) 16186</b>	
19	<b>Speedometer (kilometres)</b>	<b>BHA4209</b>	<b>51</b>	<b>1</b>	<b>BHA4373</b>			
20	Ring (rubber)	AJH5178	52	1				
21	Strap—fixing	AJH5176	53	2				
22	Washer—shakeproof	17H1341	54	2				
23	Nut—thumb	17H1304	55	1				
24	Trip stem assembly	37H613	56	1			Fin. (C) 16183	
25	Screw—trip stem assembly	17H1658		1	17H3745		Com. (C) 16184	
26	Pin—dowel—trip stem assembly							
27	<b>Cable assembly—speedometer (5' 2" [157.48 cm.])</b>	<b>1H9049</b>	<b>57</b>	<b>1</b>				
28	Cable—inner	17H844	58	1				
29	Cable—outer	17H1496	59	1				
30	<b>Cable assembly—speedometer (4' 6" [137.16 cm.])</b>	<b>1H9047</b>						
31	Cable—inner	17H843		1				
32	Cable—outer	17H1669		1				
33	Clip—cable to bulkhead	PCR0709	60	1				
34	Sleeve—clip (rubber)	ACH8529	61	1				
35	Washer—spring	LWZ204	62	1				
36	Nut—clip to pedal box screw	FNZ104	63	1				
37	Clip—cable to clutch housing	1B9132	64	1				
	Grommet—cable through footwell	RFN805	65	1				



AD398B

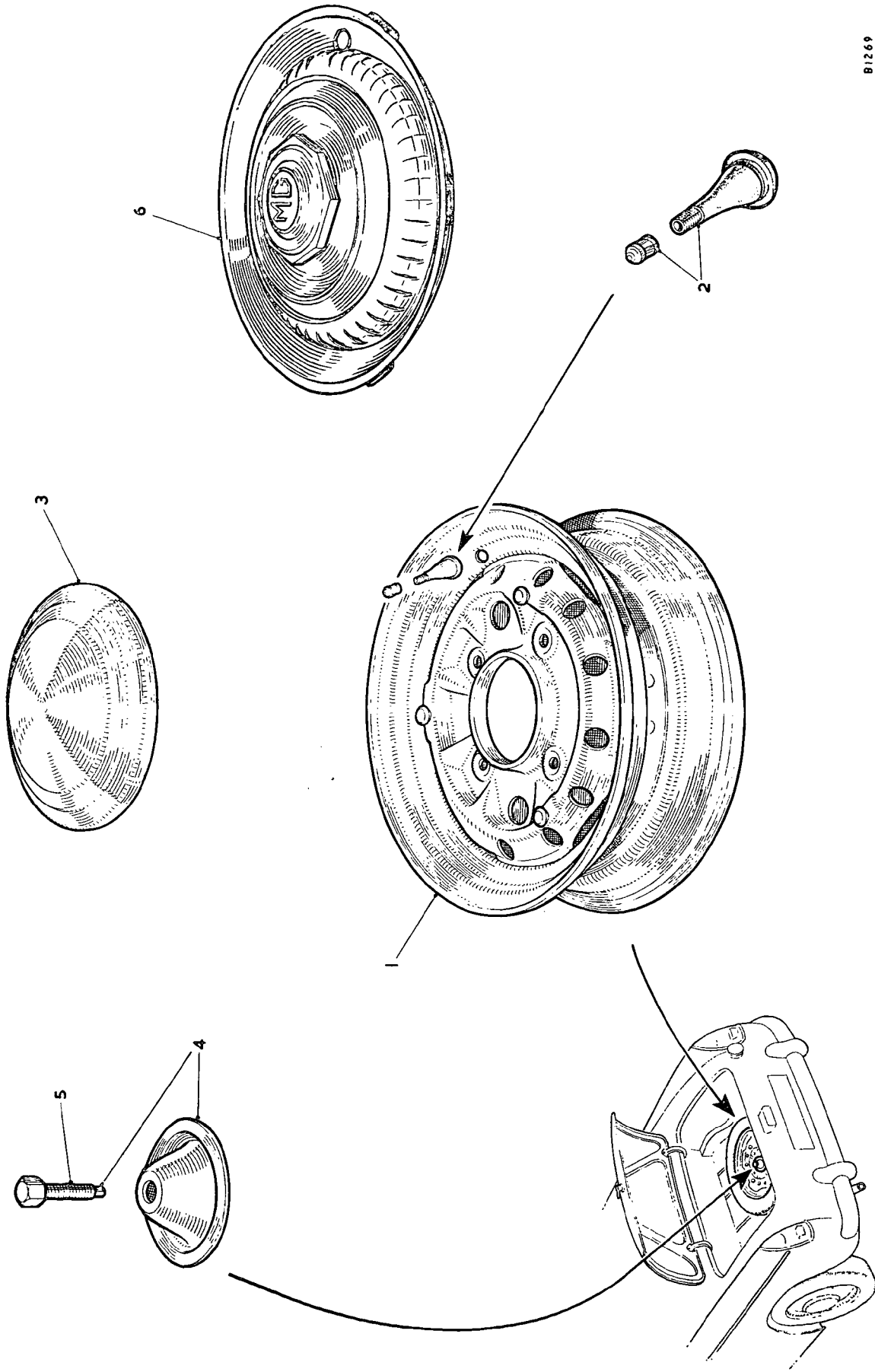


039RR

SERVICE PARTS LIST

THE M.G. MIDGET

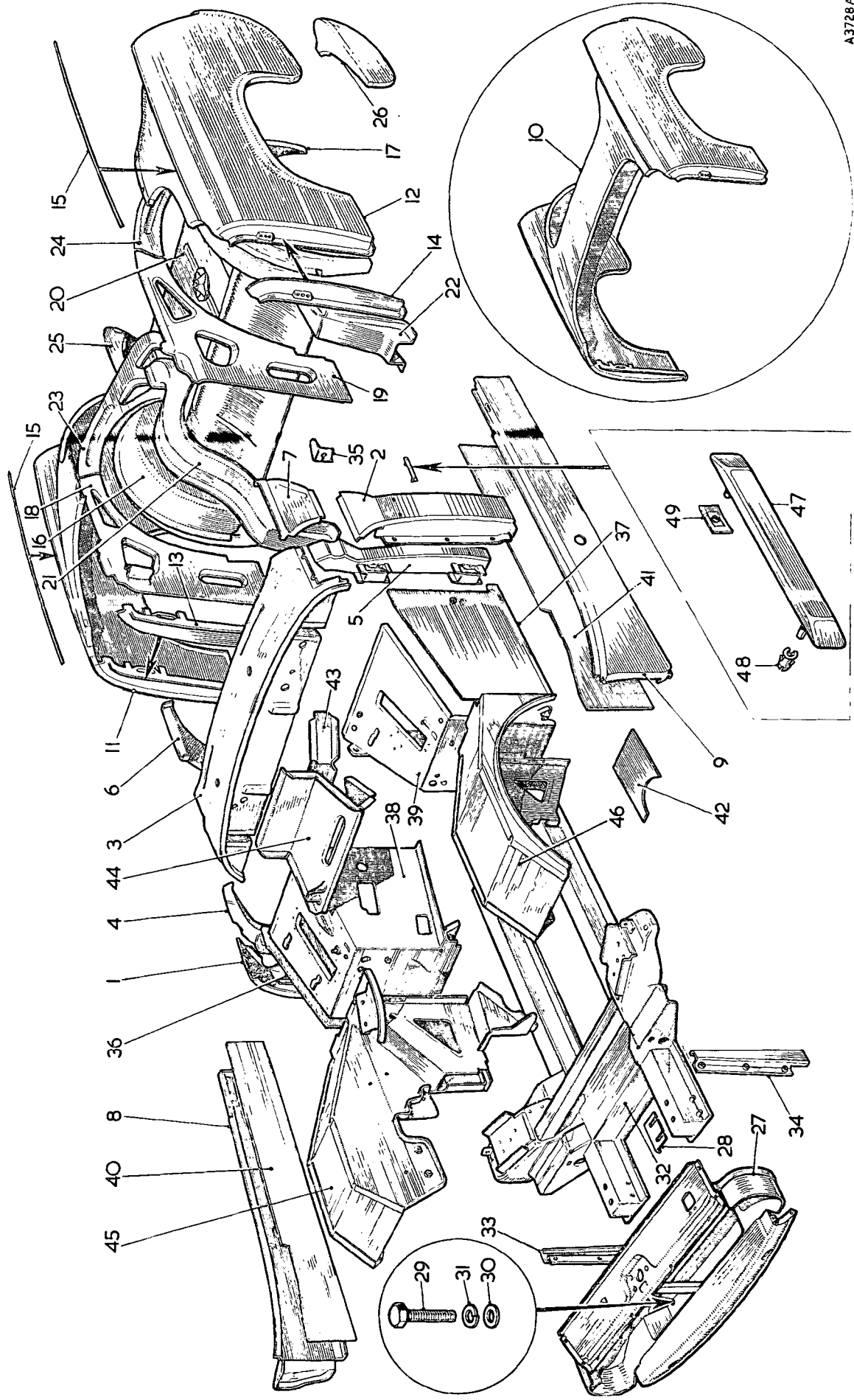
Item No.	DESCRIPTION	Commencing (C) GANI/101		Qty. per Veh.	MODIFICATIONS		REMARKS
		Part Number	Illus. No.		New Part Number	Change Point	
1							
	<b>Fascia Panel and Instruments—continued</b>						
2	<b>Tachometer</b>	<b>3HA4212</b>	<b>66</b>	<b>1</b>			
3	Ring (rubber)	AJH5178	67	1			
4	Strap—fixing	AJH5176	68	1		Fin. (C) 16183	
5	Washer—shakeproof	17H1341	69	2			
6	Nut—thumb	17H1304	70	2			
7	<b>Tachometer (electric)</b>						
8	Ring (rubber)		67	1	<b>BMA4380</b>		
9	Clamp—fixing		68	1	AJH5178		
10	Washer—shakeproof		69	2	17H3744	Com. (C) 16184	
11	Nut—thumb		70	2	LWZ402		
12	<b>Cable assembly—tachometer (2' 1" [63.5 cm.])</b>	<b>3HA4086</b>	<b>71</b>	<b>1</b>			
13	Cable—inner	17H1678	72	1		Fin. (C) 1042	
14	Cable—outer	17H1679	73	1			
15	<b>Cable assembly—tachometer (2' 2" [66.04 cm.])</b>						
16	Cable—inner			1	<b>2A9104</b>		
17	Cable—outer			1	17H1499	Com. (C) 1043	
18	<b>Cable assembly—tachometer (3' 0" [91.44 cm.])</b>					Fin. (C) 16183	
19	Cable—inner	<b>2A9108</b>		1			
20	Cable—outer	17H1344		1			
21	Grommet—cable through dash	17H1498	74	1		Fin. (C) 16183	
22	Bracket—cable	RFN805	75	1			
23	Grommet—cable through bracket	1K1977	76	1			
24	<b>Ratio box—cable to dynamo</b>	<b>3H822</b>	<b>76</b>	<b>1</b>			
	Plug—blanking—tachometer cable hole in dash	<b>2A9105</b>	<b>77</b>	<b>1</b>	<b>13H632</b>	<b>Com. (C) 6255</b>	
					CFP625	<b>Fin. (C) 16183</b>	
						Com. (C) 16184	



B1269







A3728A

**SERVICE PARTS LIST**

**THE M.G. MIDGET**

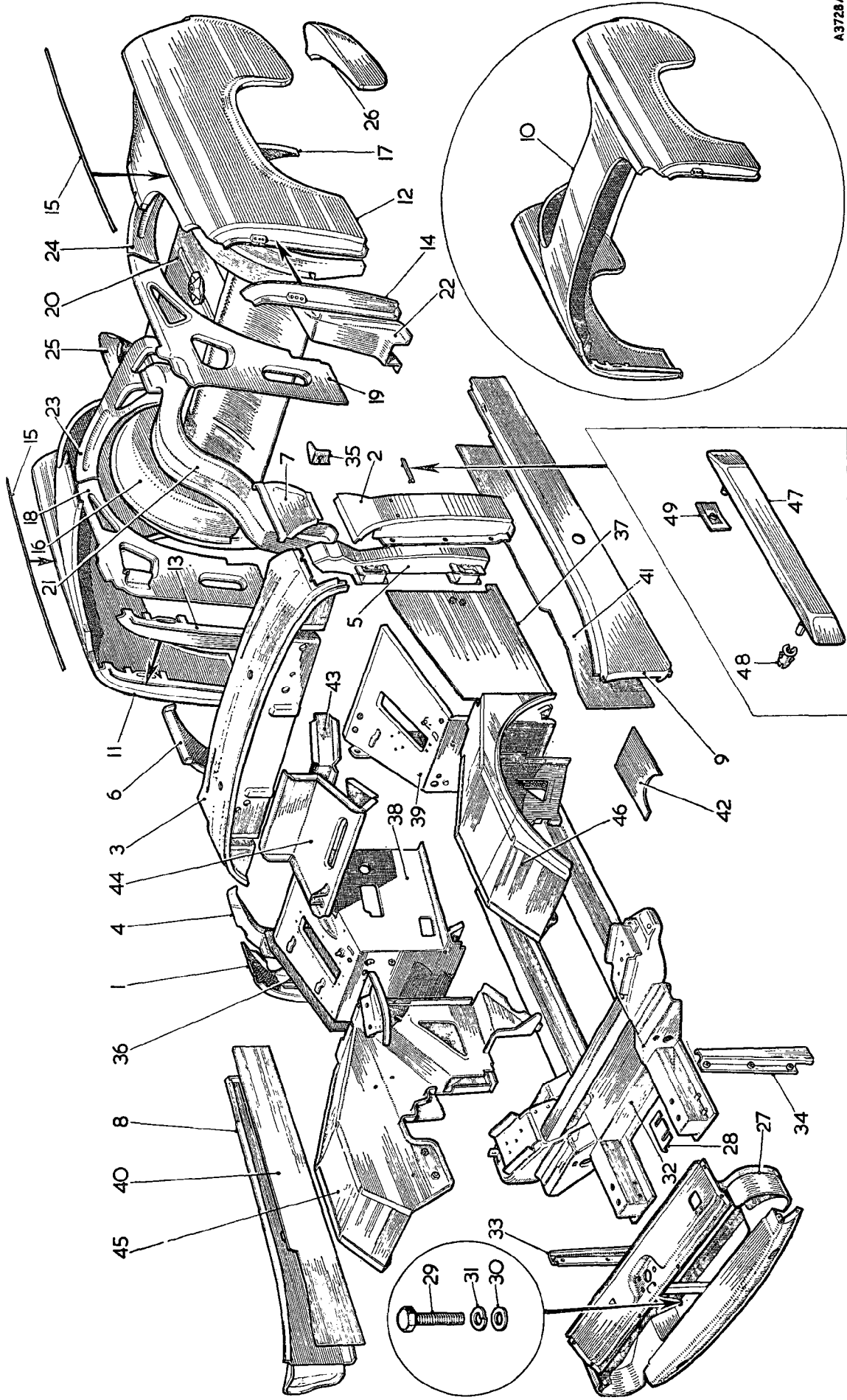
Item No.	DESCRIPTION	Commencing (C) GANI/101		Qty. per Veh.	MODIFICATIONS		REMARKS
		Part Number	Illus. No.		New Part Number	Change Point	
1	<b>Body shell and underframe assembly</b>			1			
2	Panel assembly—shroud side—RH	AHA5541	1	1			
3	Panel assembly—shroud side—LH	AHA5554	2	1			
4	Panel assembly—shroud and dash top	AHA5555	3	1			
5	'A' post assembly—RH	AHA5556	4	1			
6	'A' post assembly—LH	AHA5176	5	1			
7	Extension—'A' post to scuttle—RH	AHA5177	6	1			
8	Extension—'A' post to scuttle—LH	14A4685	7	1			
9	Panel—sill outer—RH	14A4686	8	1			
10	Panel—sill outer—LH	AHA5552	9	1			
11	<b>Panel assembly—body rear</b>	AHA5553	10	1			
12	<b>Wing assembly—rear—RH</b>	AHA5749	11	1			
13	Wing assembly—rear—LH	AHA5754	12	1			
14	'B' post assembly—RH	AHA5184	13	1			
15	'B' post assembly—LH	AHA5185	14	1			
16	Moulding—rear wing to panel	AHA5755	15	2			
17	Panel assembly—rear wheel arch—RH	AHA5731	16	1			
18	Panel assembly—rear wheel arch—LH	AHA5732	17	1			
19	Reinforcement assembly—'B' post to wheel arch—RH	AHA5725	18	1			
20	Reinforcement assembly—'B' post to wheel arch—LH	AHA5726	19	1			
21	<b>Panel assembly—luggage floor</b>	AHA5733	20	1			
22	Reinforcement member—wheel arch to luggage floor—RH	AHA5283	21	1			
23	Reinforcement member—wheel arch to luggage floor—LH	AHA5284	22	1			
24	Gusset—wheel arch to luggage floor—rear—RH	AHA5729	23	1			
25	Gusset—wheel arch to luggage floor—rear—LH	AHA5730	24	1			
26	Extension—luggage floor rear—RH	AHA5897	25	1			
27	Extension—luggage floor rear—LH	AHA5898	26	1			
28	Front end assembly	AHA5549	27	1			
29	Shim—front end to underframe	AHA5642	28	A/R			
30	Screw—front end to underframe	HZS0406	29	10			
31	Washer—plain—screw	PWZ104	30	10			
32	Washer—spring—screw	LWZ204	31	10			Maximum of 4 used

**SERVICE PARTS LIST**

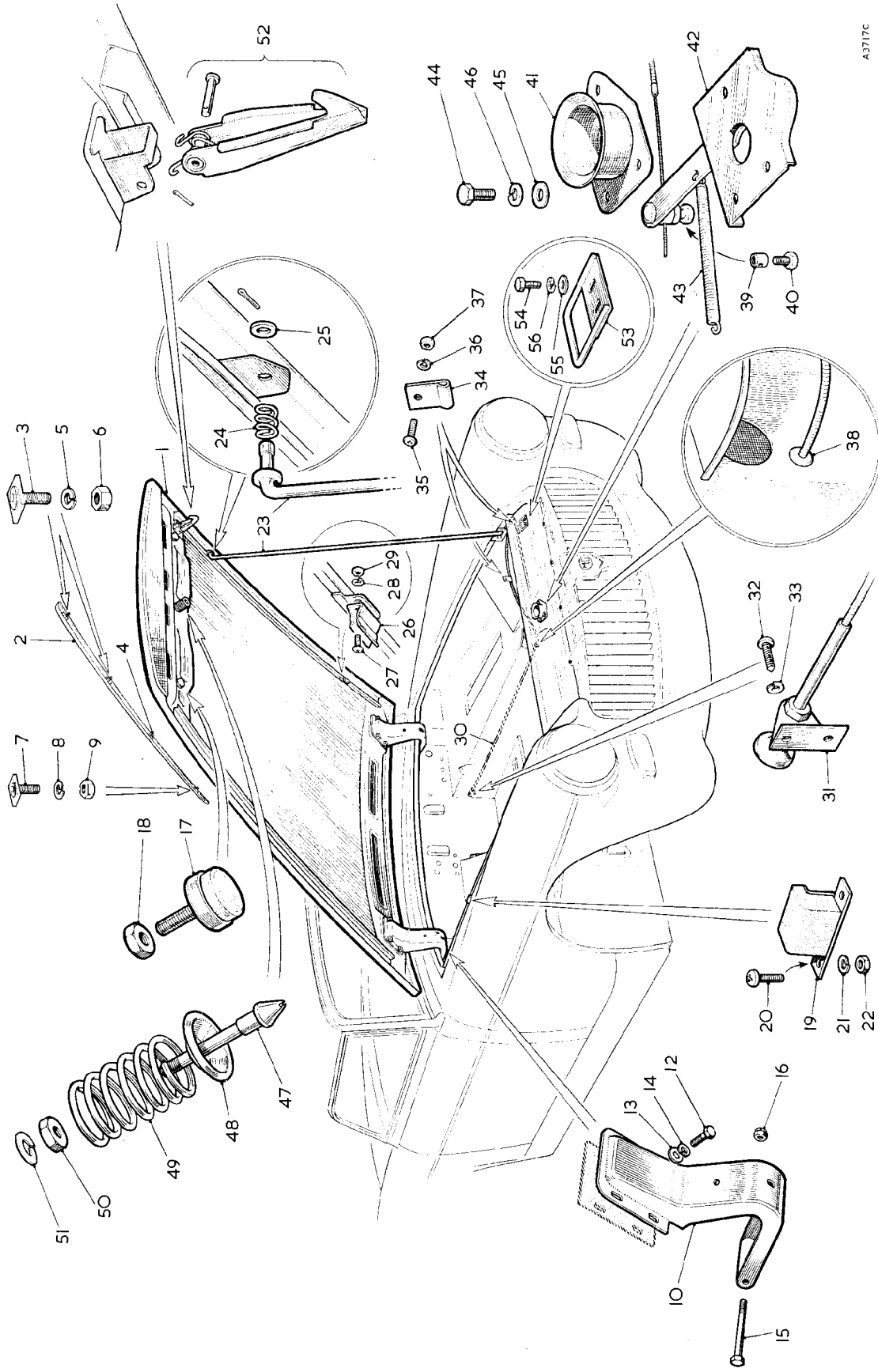
**THE M.G. MIDGET**

Item No.	DESCRIPTION	Commencing (C) GANI/101		Qty. per Veh.	MODIFICATIONS		REMARKS
		Part Number	Illus. No.		New Part Number	Change Point	
1	Body Shell— <i>continued</i>						
2	<b>Underframe assembly</b>	<b>NSP</b>		<b>1</b>			
3	Front suspension and main beam assembly	28G118	32	1			
4	Bracket assembly—radiator mounting—RH	AHA5624	33	1			
5	Bracket assembly—radiator mounting—LH	AHA5626	34	1			
6	Bracket—hand brake abutment	2A5509	35	1			
7	Panel assembly—footwell outer—RH	AHA5620	36	1			
8	Panel assembly—footwell outer—LH	AHA5622	37	1			
9	Panel assembly—footwell front and inner side—RH	28G121	38	1			
10	Panel assembly—footwell front and inner side—LH	AHA6216	39	1			
11	Plate—sill side—RH assembly	AHA6217	40	1			
12	Plate—sill side—LH assembly	AHA5465	41	1			
13	Plate—splash—RH	AHA5466	42	1			
14	Plate—splash—LH	2A5524	43	1			
15	Support—heater platform	2A5533	44	1			
16	Platform assembly—heater	28G119	45	1			
17	Wheel arch assembly—front—RH	28G120	46	1			
18	Wheel arch assembly—front—LH	<b>AHA5822</b>	<b>47</b>	<b>2</b>			
19	<b>Moulding—shroud</b>	BCA4590	48	2			
20	Clip—speed	BHA4082	49	2			
21	Push-on fix	<b>AHA6205</b>		<b>1</b>			
22	<b>Shield—mud—RH</b>	AHA6206		<b>1</b>			
23	Shield—mud—LH	AHA6223		<b>1</b>			
24	Plate—blanking—mud shield	PMZ0306		<b>2</b>			
25	Screw—blanking plate to mud shield	LWZ203		<b>2</b>			
26	Washer—spring—screw	FNZ103		<b>2</b>			
	Nut—screw						

[ Not required when heater is fitted ]



A3728 A



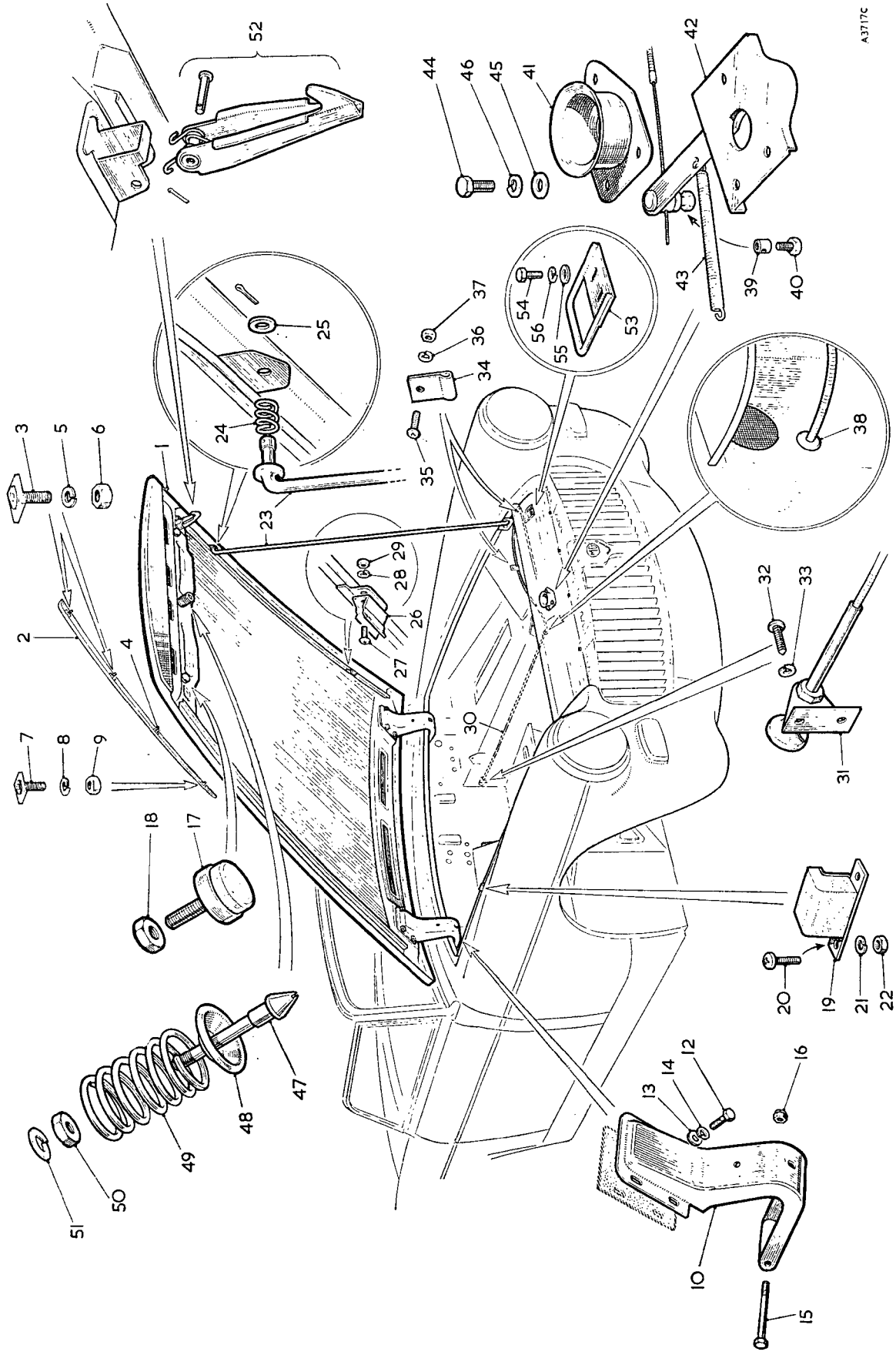
A3717C



**SERVICE PARTS LIST**

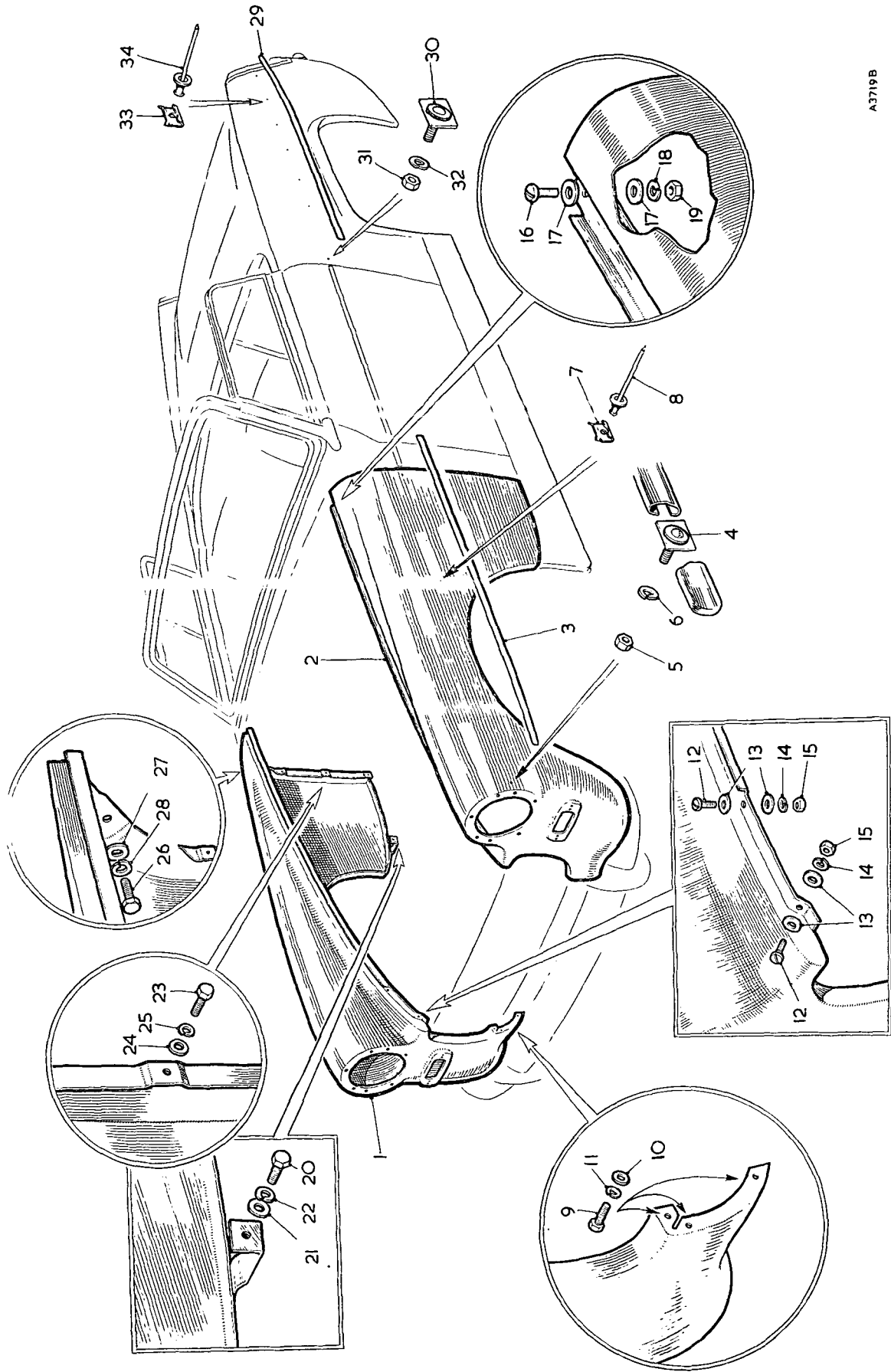
**THE M.G. MIDGET**

Item No.	DESCRIPTION	Commencing (C) GANJ/101		Qty. per Veh.	MODIFICATIONS		REMARKS
		Part Number	Illus. No.		New Part Number	Change Point	
1	 Bonnet—continued						
2	Washer—spring—screw	LWZ203	36	2			
3	Nut—screw	FNZ103	37	2			
4	Grommet—cable through footwell	RFN103	38	1			
5	Grommet—cable through mud shield	3H2615	39	1			
6	Clamp—cable to lock	4C8621	40	1			
7	Screw—clamp to lock	14B720	41	1	24G1052	Com. (C) 10742	
8	Cup—lock locating	AHA5548	42	1	53K1016		
9	Plate assembly—catch	4C8085	43	1			
10	Spring—catch plate return	4C2494	44	3			
11	Screw—cup and plate to bonnet locking platform	HZS0405	45	3			
12	Washer—plain—screw	PWZ104	46	3			
13	Washer—spring—screw	LWZ204	47	1			
14	Pin—bonnet lock	14G2444	48	1			
15	Thumble—bonnet lock	4C8676	49	1			
16	Spring—bonnet lock	4C1588	50	1			
17	Locknut—pin to bonnet	FNZ206	51	1			
18	Washer—spring—pin	LWZ206	52	1			
19	Catch assembly—safety	14A366	53	1			
20	Bracket—safety catch	AHA5617	54	2			
21	Screw—bracket	AHA5618	55	2			
22	Washer—plain—screw	PWZ103	56	2			
	Washer—spring—screw	LWZ203		2			



A3717C





A3719B

**SERVICE PARTS LIST**

**THE M.G. MIDGET**

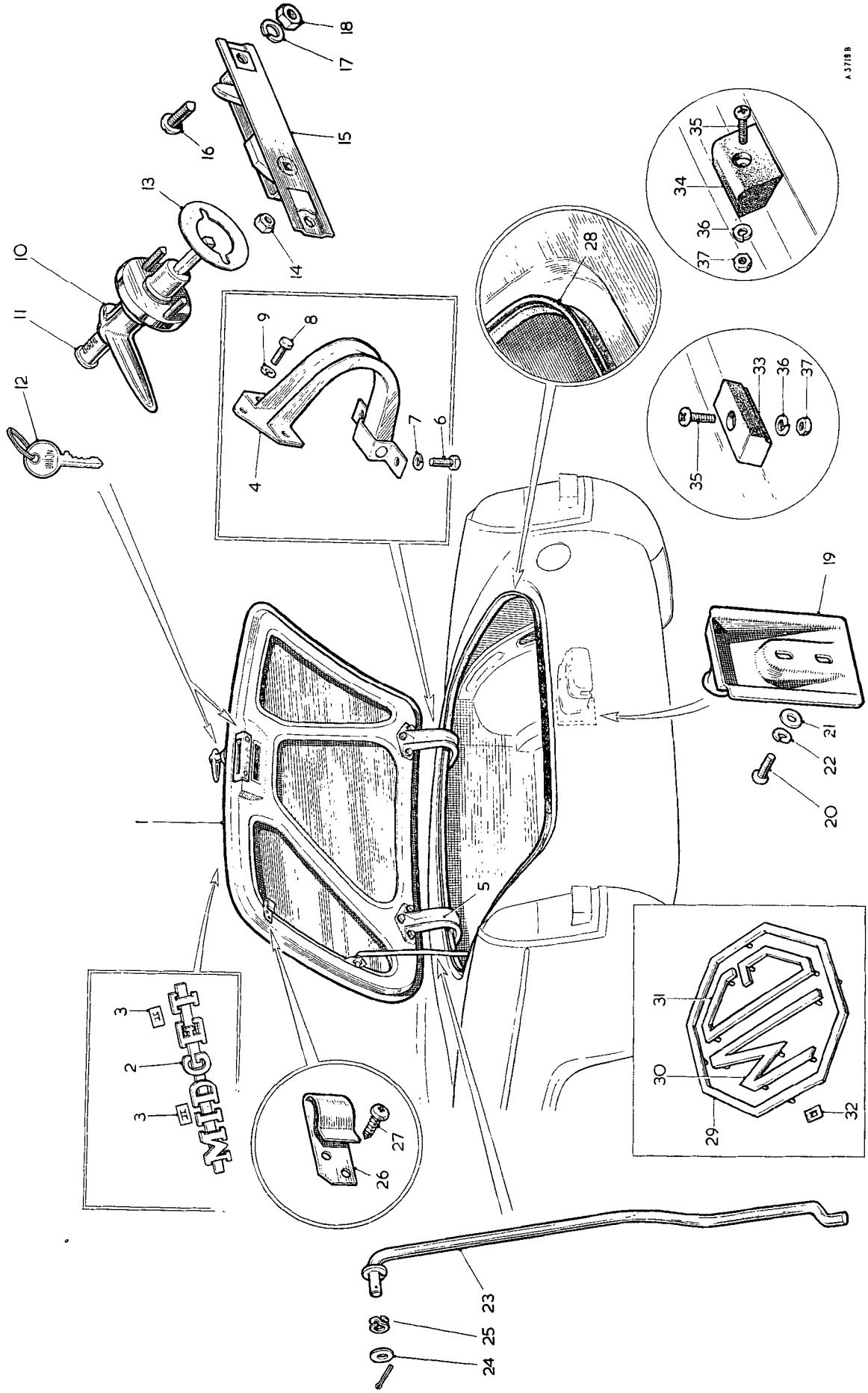
Item No.	DESCRIPTION	Commencing (C) GANI/101		Qty. per Veh.	MODIFICATIONS		REMARKS
		Part Number	Illus. No.		New Part Number	Change Point	
1	Wing assembly—front—RH	AHA5545	1	1			
2	Wing assembly—front—LH	AHA5546	1	1			
3	Moulding—front wing	AHA5825	3	2			
4	Stud plate—moulding	AHA5817	4	2			
5	Nut—stud plate	FNZ103	5	2			
6	Washer—spring—stud plate	LWZ203	6	2			
7	Clip—moulding	ALA3647	7	16			
8	Rivet—clip	ADE2582	8	16	DMP0721	Com. (C) 267	For ADE2582 use DMP0721 for this application
9	Screw—wing to front end	HZS0405	9	6			
10	Washer—plain—screw	PWZ104	10	6			
11	Washer—spring—screw	LWZ204	11	6			
12	Screw—wing to bonnet locking platform	AHA5619	12	4			
13	Washer—plain—screw	PWZ104	13	8			
14	Washer—spring—screw	LWZ204	14	4			
15	Nut—screw	FNZ104	15	4			
16	Screw—wing to dash drain channel	AHA5619	16	2			
17	Washer—plain—screw	PWZ104	17	4			
18	Washer—spring—screw	LWZ204	18	2			
19	Nut—screw	FNZ104	19	2			
20	Screw—wing to sill outer panel	HZS0405	20	2			
21	Washer—plain—screw	PWZ104	21	2			
22	Washer—spring—screw	LWZ204	22	2			
23	Screw—wing to shroud side panel	HZS0405	23	6			
24	Washer—plain—screw	PWZ104	24	6			
25	Washer—spring—screw	LWZ204	25	6			
26	Screw—wing to dash	HZS0405	26	2			
27	Washer—plain—screw	PWZ104	27	2			
28	Washer—spring—screw	LWZ204	28	2			
29	Wing assembly—rear—RH						
30	Wing assembly—rear—LH						
31	Moulding—rear wing	AHA5818	29	2			
32	Stud plate—moulding	AHA5817	30	2			
33	Nut—stud plate	FNZ103	31	2			
34	Washer—spring—stud plate	LWZ203	32	2			
35	Clip—moulding	ALA3647	33	14			
36	Rivet—clip	ADE2582	34	14	DMP0721	Com. (C) 267	For ADE2582 use DMP0721 for this application

See page R.1

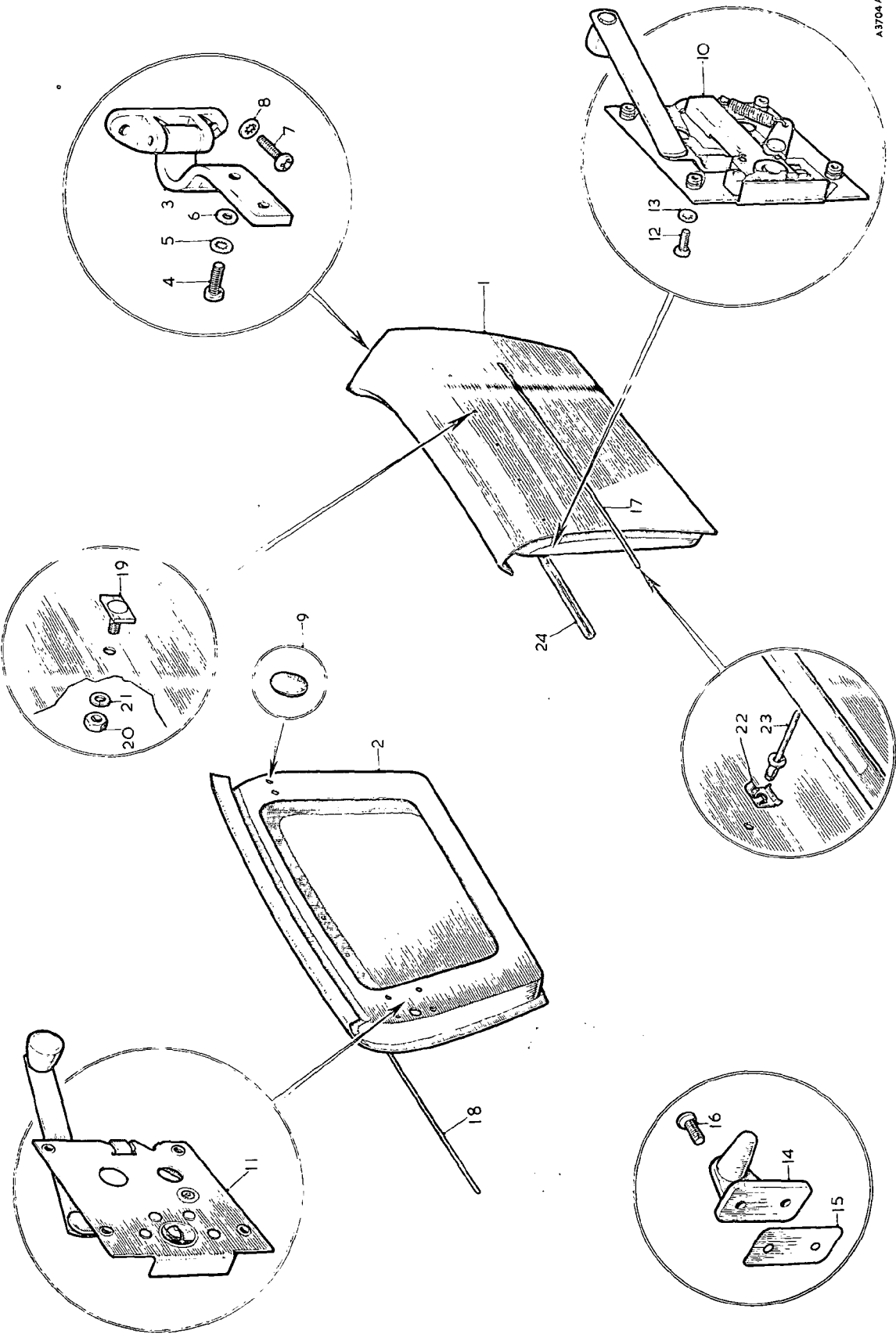
**SERVICE PARTS LIST**

**THE M.G. MIDGET**

Item No.	DESCRIPTION	Commencing (C) GAN/101		Qty. per Veh.	New Part Number	MODIFICATIONS Change Point	REMARKS
		Part Number	Illus. No.				
1	<b>BOOT LID</b>						
2	Lid assembly—boot	AJA5112	1	1			
3	Motif—Midget	AHA5683	2	1			
4	Push-on fix—motif to boot lid	BHA4082	3	2			
5	Hinge—boot lid—RH	AHA5708	4	1	AHA6344	Com. (C) 1209	
6	Hinge—boot lid—LH	AHA5709	5	1	AHA6315		
7	Screw—hinge to body	HZS0405	6	4			
8	Washer—spring—screw	LWZ204	7	4			
9	Screw—hinge to boot lid	HZS0405	8	6			
10	Washer—spring—screw	LWZ204	9	6			
11	Handle assembly—locking	ALH2573	10	1	AHA6357	Com. (C) 4582	For ALH 2573 use AHA6357 for this application
12	Handle assembly—locking	ALH2573	11	1	AHA6357	Com. (C) 2392	
13	Lock—barrel	ADH4492	12	2			
14	Key	ANK4646	13	1			
15	Washer—handle seating	ALA2466	14	2			
16	Nut—lock—handle to boot lid	59KJ420	15	1			
17	Lock assembly	AHA5807	16	2			
18	Screw—lock to boot lid	HZS0505	17	2			
19	Washer—spring—screw	LWZ205	18	2			
20	Nut—screw	FNZ105	19	1			
21	Plate—striker	AHA5810	20	2			
22	Screw—striker plate to body	PMZ0308	21	2			
23	Washer—plain—screw	PWZ103	22	2			
24	Washer—spring—screw	LWZ203	23	1			
25	Rod—prop	AHA5811	24	2			
26	Washer—plain—prop rod	PWZ104	25	1			
27	Washer—spring—prop rod	AJD7722	26	1			
28	Clip—prop rod	128978	27	2			
29	Screw—clip to boot lid	PTZ603	28	1	AHA6399	Com. (C) 11890	
30	Rubber—boot lid sealing	AHA5808	29	1	AHA6399	Com. (C) 8991	
31	Rubber—boot lid sealing	ADH2477	30	1	AHH5261	Com. (C) 7702	
32	Surround—boot lid badge	ADH2475	31	1			
33	Letter 'M'	ADH2476	32	13			
34	Letter 'C'	PFS103	33	2	AHA6213		
35	Spire nut—surround badge		34	2	AHA6207		
36	Buffer—boot lid—front		35	4	PMZ0210	Com. (C) 4103	
37	Buffer—boot lid—rear		36	4	LWZ202		
38	Screw—buffer to body		37	4	CNZ102		
39	Washer—spring—screw						
40	Nut—screw						



A.3718 B



A3704A

**SERVICE PARTS LIST**

**THE M.G. MIDGET**

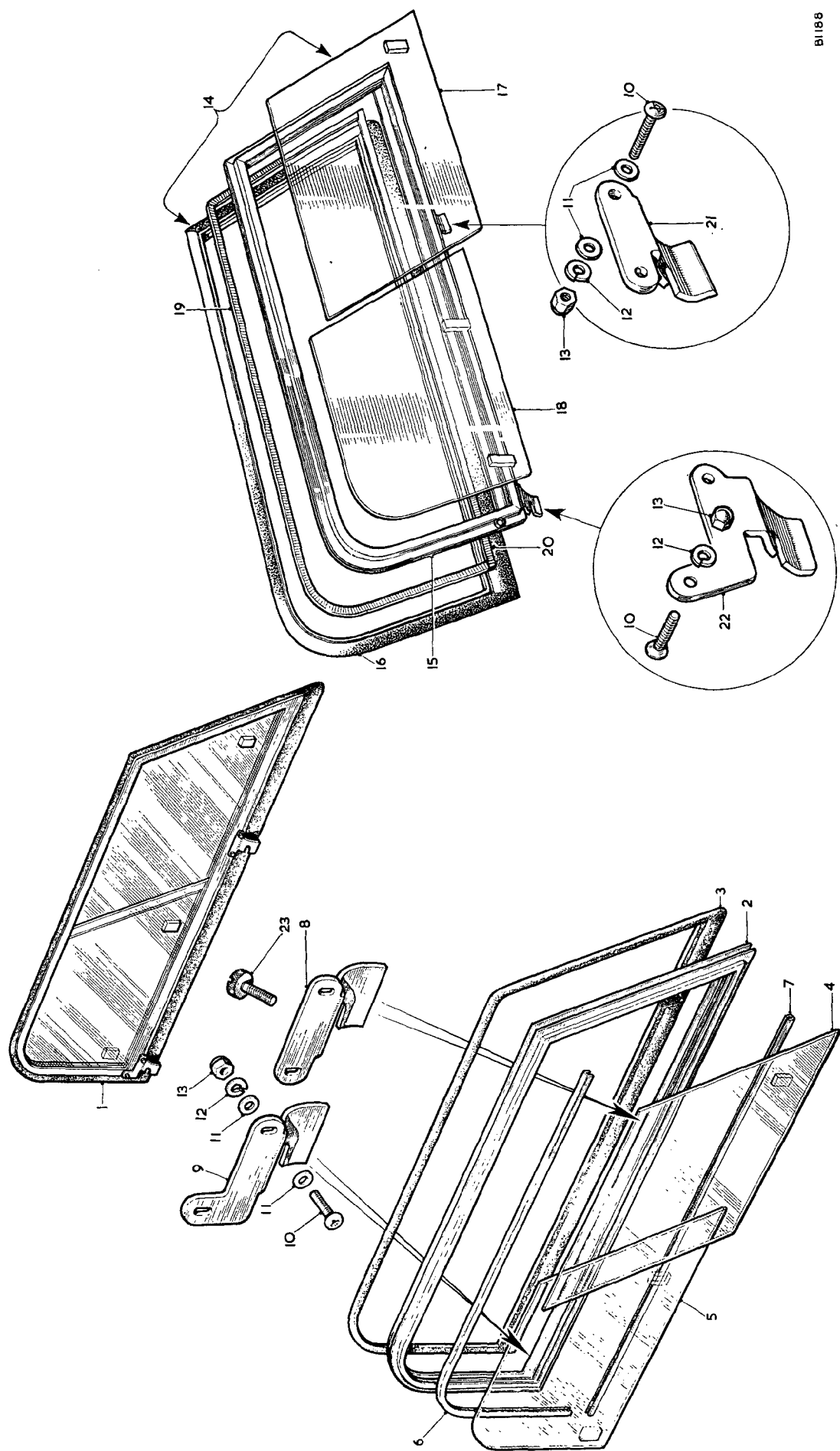
Item No.	DESCRIPTION	Commencing (C) GANI/101		Qty. per Veh.	MODIFICATIONS		REMARKS
		Part Number	Illus. No.		New Part Number	Change Point	
1	DOORS, HINGES, AND LOCKS						
2	Door assembly—less lock—RH	14A81	1	1			
3	Door assembly—less lock—LH	14A82	1	1			
4	Hinge assembly—door	14A4677	3	4			
5	Screw—hinge to door	PMN0408	4	8			
6	Washer—shakeproof—screw	LWZ504	5	8			
7	Washer—plain—screw	AHA5829	6	8			
8	Screw—hinge to body	PMN0408	7	12			
9	Washer—shakeproof—screw	LWZ404	8	12			
10	Plug—hinge hole—inner door panel (rubber)	14A716	9	8		Fin. (C) 16183	
11	Lock assembly—door—RH	AHA5455	10	1			
12	Lock assembly—door—LH	AHA5456	11	1			
13	Screw—lock to door	PMZ0308	12	8			
14	Washer—shakeproof—screw	LWN403	13	8			
15	Striker—lock	AFH1684	14	2			
16	Packing—striker	14A4673	15	2			
17	Screw—striker to post	CMZ0410	16	4			
18	Moulding—side—door—RH	AHA5823	17	1			
19	Moulding—side—door—LH	AHA5824	18	1			
20	Stud plate—side moulding	AHA5817	19	2			
21	Nut—stud plate	FNZ103	20	2			
22	Washer—spring—stud plate	LWZ203	21	2			
23	Clip—moulding	ALA8647	22	10			
24	Rivet—clip	ADB2582	23	10			
	Cover—clip—door moulding	AHA5819	24	2		Com. (C) 267	For ADB2582 use DMP0721 for this application

**SERVICE PARTS LIST**

**THE M.G. MIDGET**

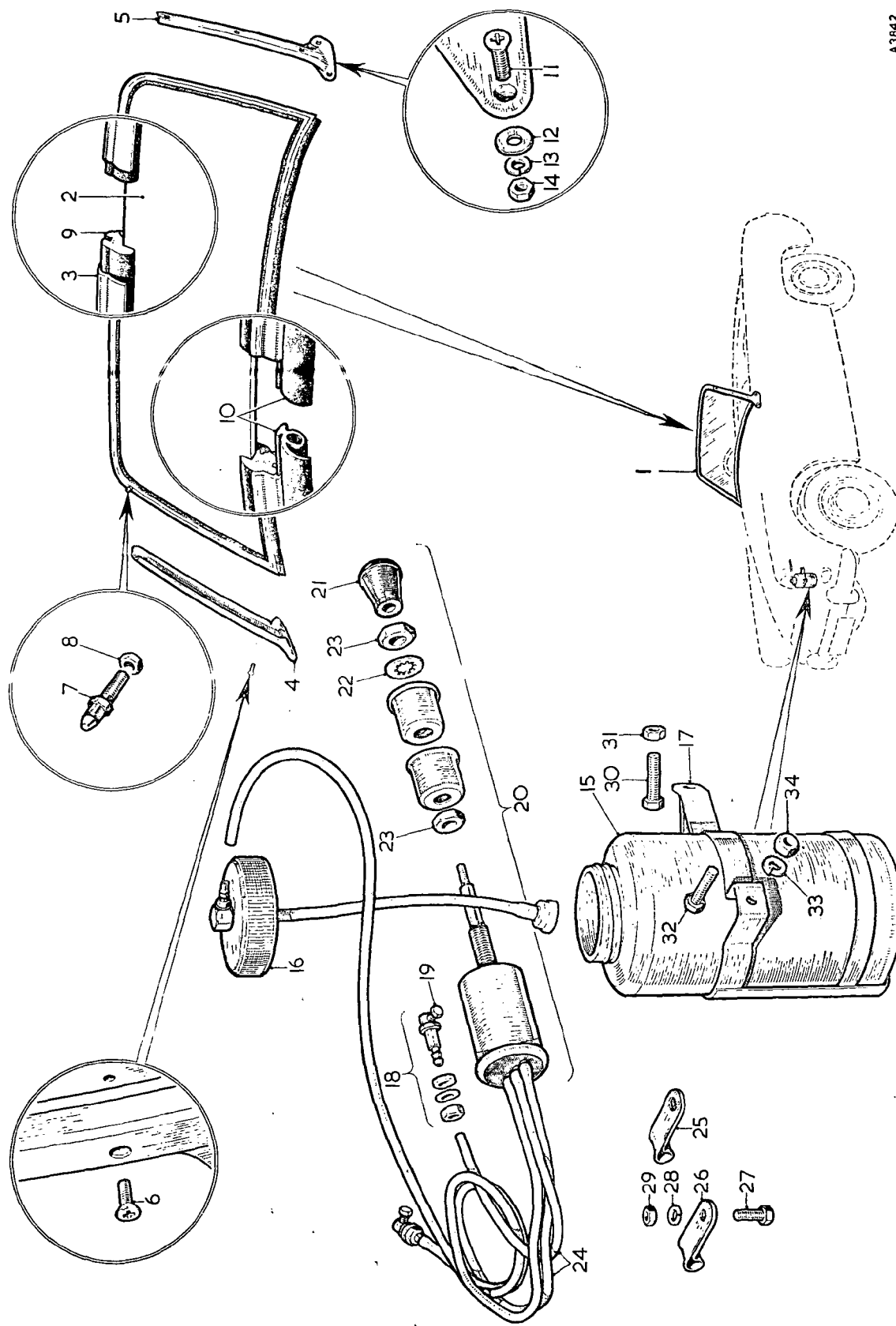
Item No.	DESCRIPTION	Commencing (C) GAN1/101		Qty. Per Veh.	MODIFICATIONS		REMARKS
		Part Number	Illus. No.		New Part Number	Change Point	
1	<b>SLIDING SIDESCREENS</b>						
2	Sidescreen assembly—sliding—RH	AHA5794		1		AHA6501	
3	Sidescreen assembly—sliding—LH	AHA5795	1	1		AHA6502	
4	Frame assembly—RH	AHA5796	2	1		AHA6503	
5	Frame assembly—LH	AHA5797	3	1		AHA6504	
6	Rubber—weathering—RH	AHA5798	3	1		AHA6505	Com. (C) 10184
7	Rubber—weathering—LH	AHA5799	4	1		AHA6506	
8	Window assembly—sliding—front—RH	AHA5800	4	1		AHA6509	
9	Window assembly—sliding—front—LH	AHA5801	5	1		AHA6510	
10	Window assembly—sliding—rear—RH	AHA5802	5	1		AHA6512	
11	Window assembly—sliding—rear—LH	AHA5803	6	1		AHA6513	
12	Slide—upper (felt)	AHA5420	7	4			
13	Slide—lower (felt)	AHA5421	7	4			
14	Bracket—front securing—RH	AHA5894	8	1		AHA6515	
15	Bracket—front securing—LH	AHA5895	9	1		AHA6516	
16	Bracket—rear securing—RH	AHA5896	9	1		AH6517	Com. (C) 10184
17	Bracket—rear securing—LH	AHA5897	10	1		AHA6518	
18	Screw—bracket to frame	PWZ0314	11	8		AHA6419	
19	Washer—plain—screw	PWZ103	11	16			
20	Washer—spring—screw	LWZ203	12	8			
21	Nut—dome—screw	14B7889	13	8			
22	<b>Sidescreen assembly—sliding—RH</b>	AHA6150		1			
23	Sidescreen assembly—sliding—LH	AHA6151	14	1			
24	Frame assembly—RH	AHA6152	15	1			
25	Frame assembly—LH	AHA6153	16	1			
26	Rubber—weathering—RH	AHA6154	16	1			
27	Rubber—weathering—LH	AHA6155	17	1			
28	Window assembly—sliding—front—RH	AHA6156	17	1			
29	Window assembly—sliding—front—LH	AHA6157	18	1			
30	Window assembly—sliding—rear—RH	AHA6158	18	1			
31	Window assembly—sliding—rear—LH	AHA6159	19	1			
32	Slide—upper (felt)	AHA6162	19	4			
33	Slide—lower (felt)	AHA5421	20	4			Fin. (C) 10183
34	Bracket—front securing—RH	AHA6297	21	1			
35	Bracket—front securing—LH	AHA6298	21	1			
36	Bracket—rear securing—RH	AHA6160	22	1			
37	Bracket—rear securing—LH	AHA6161	22	1			
38	Screw—bracket to frame (7/8" [22-32 mm.])	PMZ0314	10	6			
39	Washer—plain—screw	PMZ0312	11	2			
40	Washer—spring—screw	LWZ203	12	8			
41	Nut—dome—screw	14B7889	13	8			
42	Screw—bracket to door	AHA5263	23	4			Com. (C) 10184
43	<b>Case—sidescreen stowage</b>	AHA5216	23	1			

Optional extra for use with hard tops  
AHA6301, AHA6302, AHA6303, and  
AHA6323 only



B1188





A3842

To face page R.9

**SERVICE PARTS LIST**

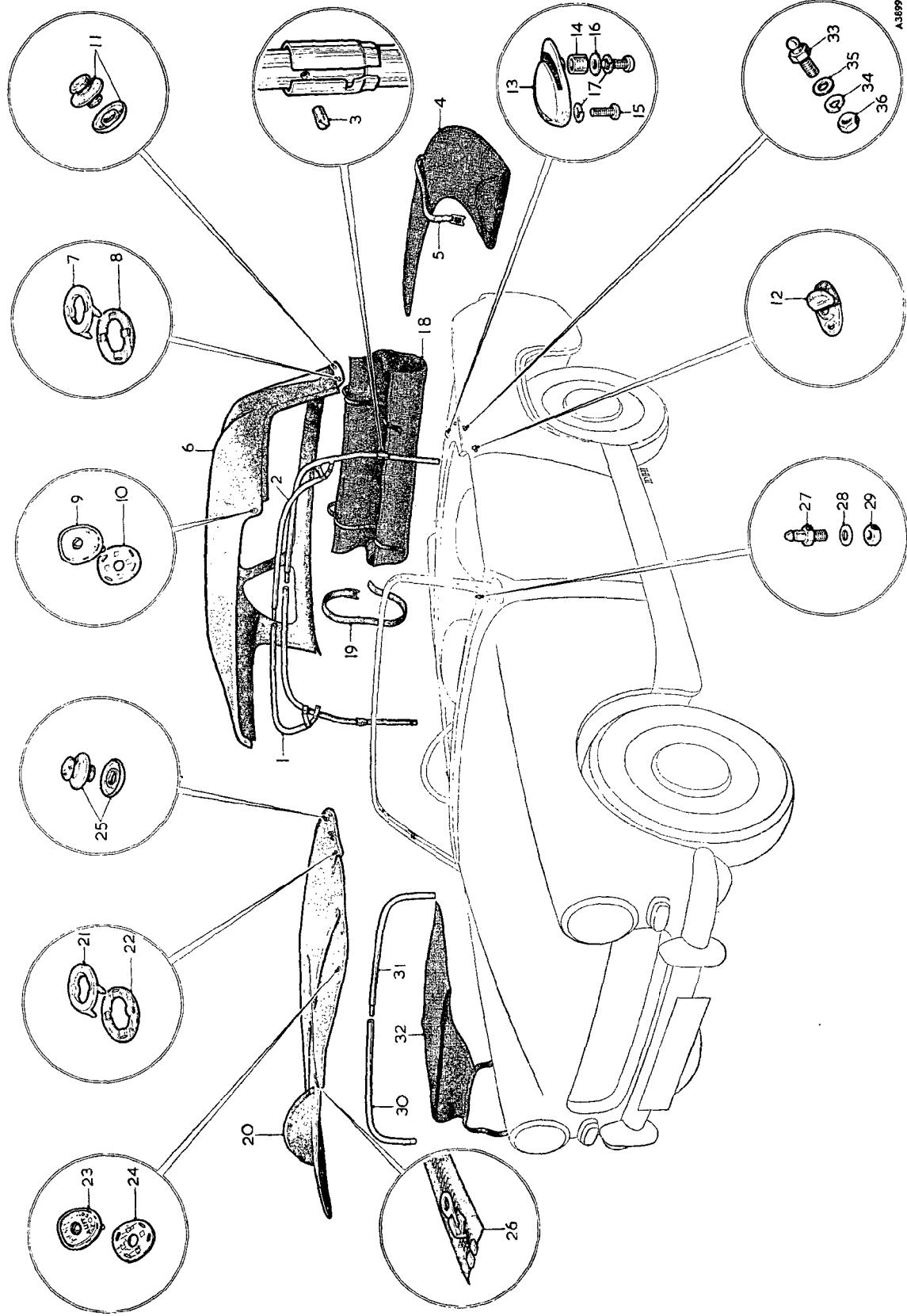
**THE M.G. MIDGET**

Item No.	DESCRIPTION	Commencing (C) GANJ/101		Qty. per Veh.	MODIFICATIONS		REMARKS
		Part Number	Illus. No.		New Part Number	Change Point	
	<b>WINDSCREEN</b>						
1	Windscreen assembly	AHA5314	1	1			
2	Windscreen assembly (laminated glass)	AHA5315	1	1			
3	Glass—windscreen	AHA5316	2	1			
4	Glass—windscreen (laminated)	AHA5317	2	1			
5	Frame—windscreen	AHA5318	3	1			
6	Pillar—RH	AHA5319	4	1			
7	Pillar—LH	AHA5320	5	1			
8	Screw—pillar to frame	PMZ0308	6	6			
9	Fastener—hood to windscreen	37H9719	7	2			
10	Nut—fastener	AJD8012Z	8	2			
11	Rubber—sealing	AHA5321	9	1			
12	Rubber—sealing—lower	AHA5322	10	1			
13	Screw—pillar foot to scuttle	AHA5486	11	4			
14	Washer—plain—screw	PWZ205	12	2			
15	Washer—spring—screw	LWZ205	13	2			
16	Nut—screw	FNZ105	14	2			
	<b>WINDSCREEN WASHER</b>						
17	Washer kit—windscreen	AHA5501	15	1	AHA6450	Com. (C) 13449	
18	Container	37H9729	16	1	17H2670	Com. (C) 13449	
19	Cap assembly	37H9715	17	1			
20	Bracket—container	27H9657	18	2			Part No. change; was 27H9622
21	Mounting assembly—jet	13H231	19	2			
22	Jet	27H9623	20	1	17H2671	Com. (C) 13449	
23	Control assembly	37H9730	21	1			
24	Knob	27H9625	22	1			Part No. change; was 7H9782
25	Washer—shakeproof	LWN406	23	2			
26	Nut	27H9655	24	1	BHA4861	Com. (C) 13449	
27	Connection—3-way	37H9708	25	A/R			Available in multiples of feet
28	Tubing ( $\frac{3}{8}$ " [4.76 mm.] diameter)	PCR0409	26	A/R	97H2679	Com. (C) 13449	
29	Tubing ( $\frac{1}{4}$ " [6.35 mm.] diameter)	PCR0407	27	2			
30	Clip—water supply pipe	PMZ0306	28	2			
31	Clip—water supply pipe	LWZ208	29	2			
32	Screw—clip to front wheel arch	FNZ103	30	1			
33	Washer—spring—screw	HZ50408	31	1			
34	Nut—screw	FNZ104	32	1			
35	Screw—container bracket to wheel arch	HZ50404	33	1			
36	Nut—screw	LWZ204	34	1			
37	Screw—container bracket to wheel arch and radiator support	FNZ104					
38	Washer—spring—screw						
39	Nut—screw						

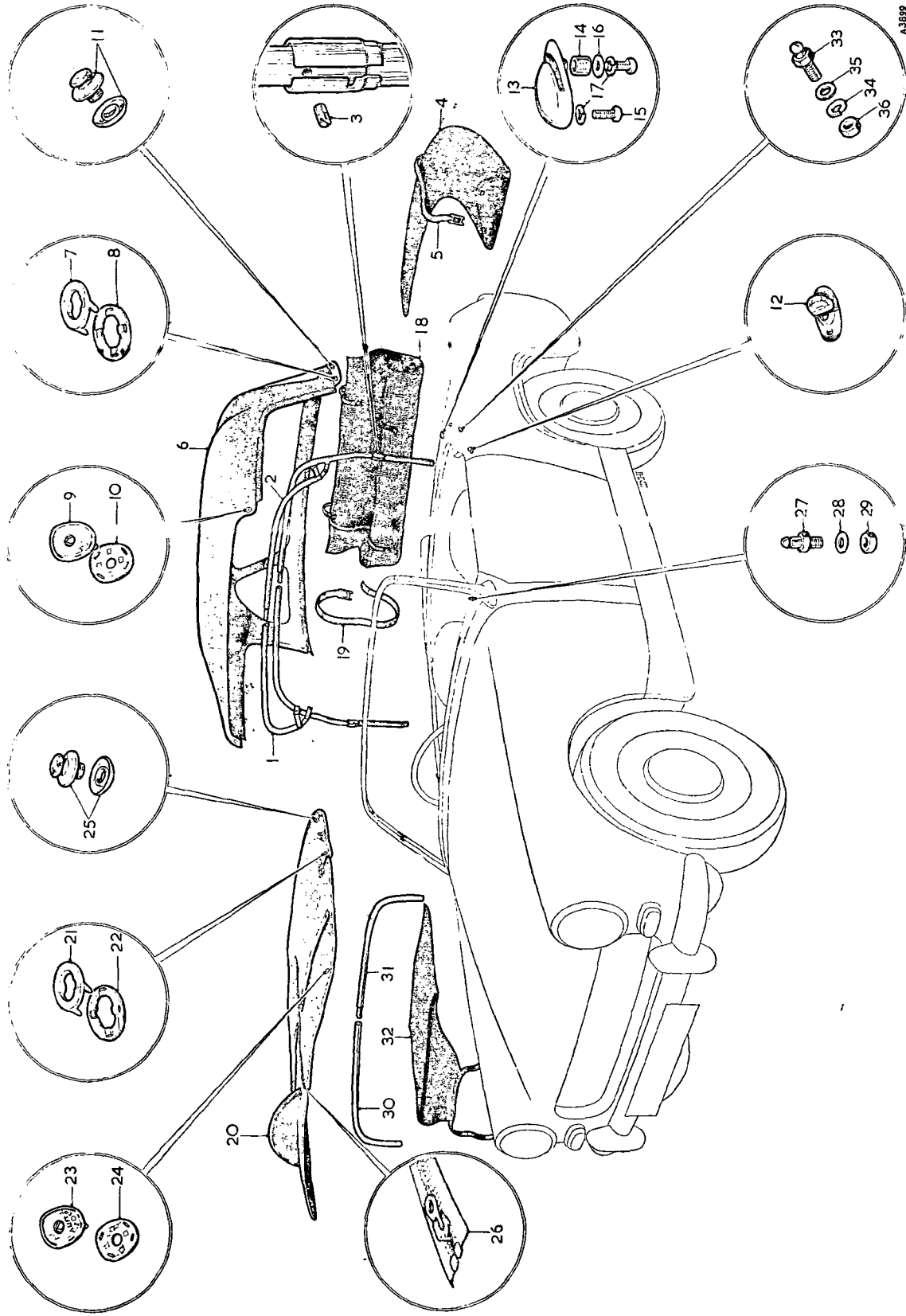
SERVICE PARTS LIST

THE M.G. MIDGET

Item No.	DESCRIPTION	Commencing (C) GAN1/101		Qty. per Veh.	MODIFICATIONS		REMARKS
		Part Number	Illus. No.		New Part Number	Change Point	
1	<b>HOOD AND TONNEAU COVER</b>						
2	Frame assembly—hood—RH	AHA5768	1	1			
3	Frame assembly—hood—LH	AHA5769	2	1			
4	Peg—release catch	37H9797	3	2			
5	Bag—hood frame stowage	AHA5698	4	1			
6	Strap	135198	5	1			
7	Cover assembly—hood—Red	AHA5899	6	1			
8	Cover assembly—hood—Dark Blue	AHA5900	1	1			
9	Cover assembly—hood—Grey	AHA5901	1	1			
10	Cover assembly—hood—Black		1	1	AHA5902	Com. (C) 16184	
11	Cover assembly—hood—Hazelnut		1	1	AHA6712		
12	Eyelet	8F2408	7	2			
13	Washer—eyelet	8F2409	8	2			
14	Fastener (lit-the-dot)	4K9671	9	2			
15	Plate—fastener	4K9670	10	2			
16	Fastener—top portion	TFS106	11	4			
17	Turn-button	8F2480	12	2			
18	Retainer—hood cover	14B1730	13	2			
19	Collar—distance—retainer to body	11K5564	14	2			
20	Screw—retainer to body	PMZ0305	15	4			
21	Washer—plain—screw	PWZ903	16	2			
22	Washer—spring—screw	LWZ208	17	4			
23	Bag—hood cover stowage	AHA5884	18	1			
	Strap—bag to bulkhead	AHA5217	19	2			
							Part No. change; was 14B2465



A-3899



**SERVICE PARTS LIST**

**THE M.G. MIDGET**

Item No.	DESCRIPTION	Commencing (C) GAN1/101		Qty. per Veh.	MODIFICATIONS		REMARKS
		Part Number	Illus. No.		New Part Number	Change Point	
1	 Hood and Tonneau Cover— <i>continued</i> Cover assembly—tonneau—Black	8G9112	20	1			Part No. change; was AHA5952
2	Cover assembly—tonneau—Dark Blue	8G9111		1			Part No. change; was AHA5953
3	Cover assembly—tonneau—Red	8G9110		1			Part No. change; was AHA5954
4	Cover assembly—tonneau—Hazelnut	8G9115		1	8G9176	Com. (C) 16184	Part No. change; was AHA6128
5	Cover assembly—tonneau—Black	8G9114		1			Part No. change; was AHA6129
6	Cover assembly—tonneau—Dark Blue	8G9113		1			Part No. change; was AHA6130
7	Cover assembly—tonneau—Red			1	8G9177	Com. (C) 16184	
8	Cover assembly—tonneau—Hazelnut			1			
9	Eyelet	14A6587	21	2			Part No. change; was 2H5008
10	Washer—eyelet	14A6598	22	2			Part No. change; was 2H5004
11	Fastener (lift-the-dot)	LFS107	23	7			Part No. change; was 14B2465
12	Plate—fastener	LFS100	24	7			
13	Fastener—top portion	TFS106	25	4			
14	Fastener—zip—Black	AHA5657	26	1			
15	Fastener—zip—Dark Blue	AHA6221		1			
16	Fastener—zip—Red	AHA6220		1			
17	Fastener—zip—Hazelnut			1	AHA6715	Com. (C) 16184	
18	Stud—lift-the-dot fastener	LFP116		4			Part No. change; was 97H499
19	Screw—stud to heelboard ( $\frac{3}{8}$ " [9.52 mm.])	RTP603		4			
20	Screw—stud to heelboard ( $\frac{3}{8}$ " [12.7 mm.])	RTP604		4			
21	Stud—dash panel	17H9510	27	3			Correction; was 97H717
22	Washer—joint—stud	2K4986	28	3			
23	Washer—spring—stud	LWZ208	29	3			
24	Nut—stud	AID8012Z	29	3			
25	Rail—tonneau cover support—RH	AHA6011	30	1			
26	Rail—tonneau cover support—LH	AHA6012	31	1			
27	Bag—tonneau cover stowage	AHA5888	32	1			
28	Fastener—bottom portion	TFP1006	33	4			
29	Washer—spring—fastener	LWZ208	34	4			
30	Washer—joint—fastener	2K4986	35	4			
31	Nut—fastener	FNZ103	36	4			Part No. change; was 14B2464

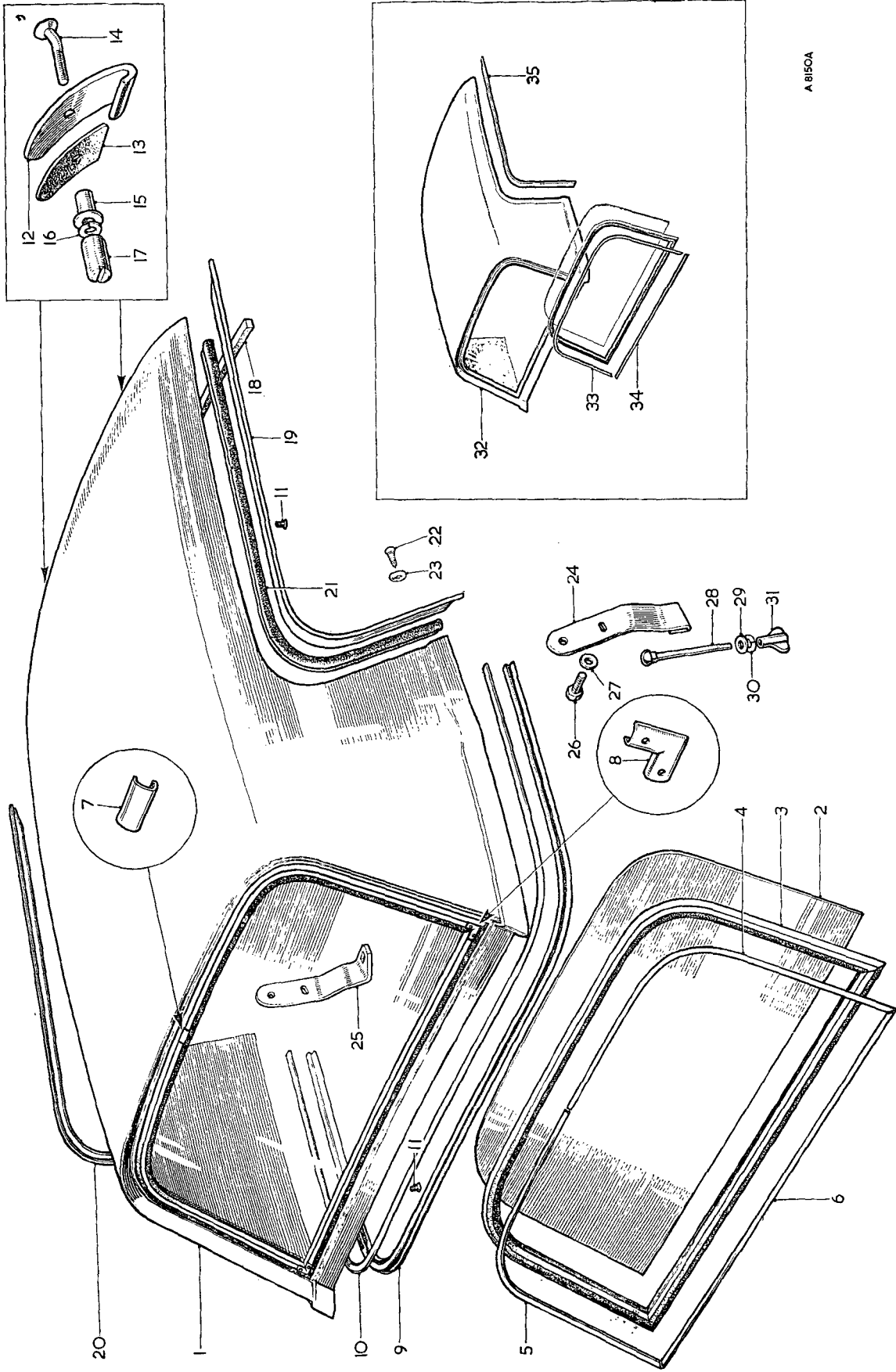
**SERVICE PARTS LIST**

**THE M.G. MIDGET**

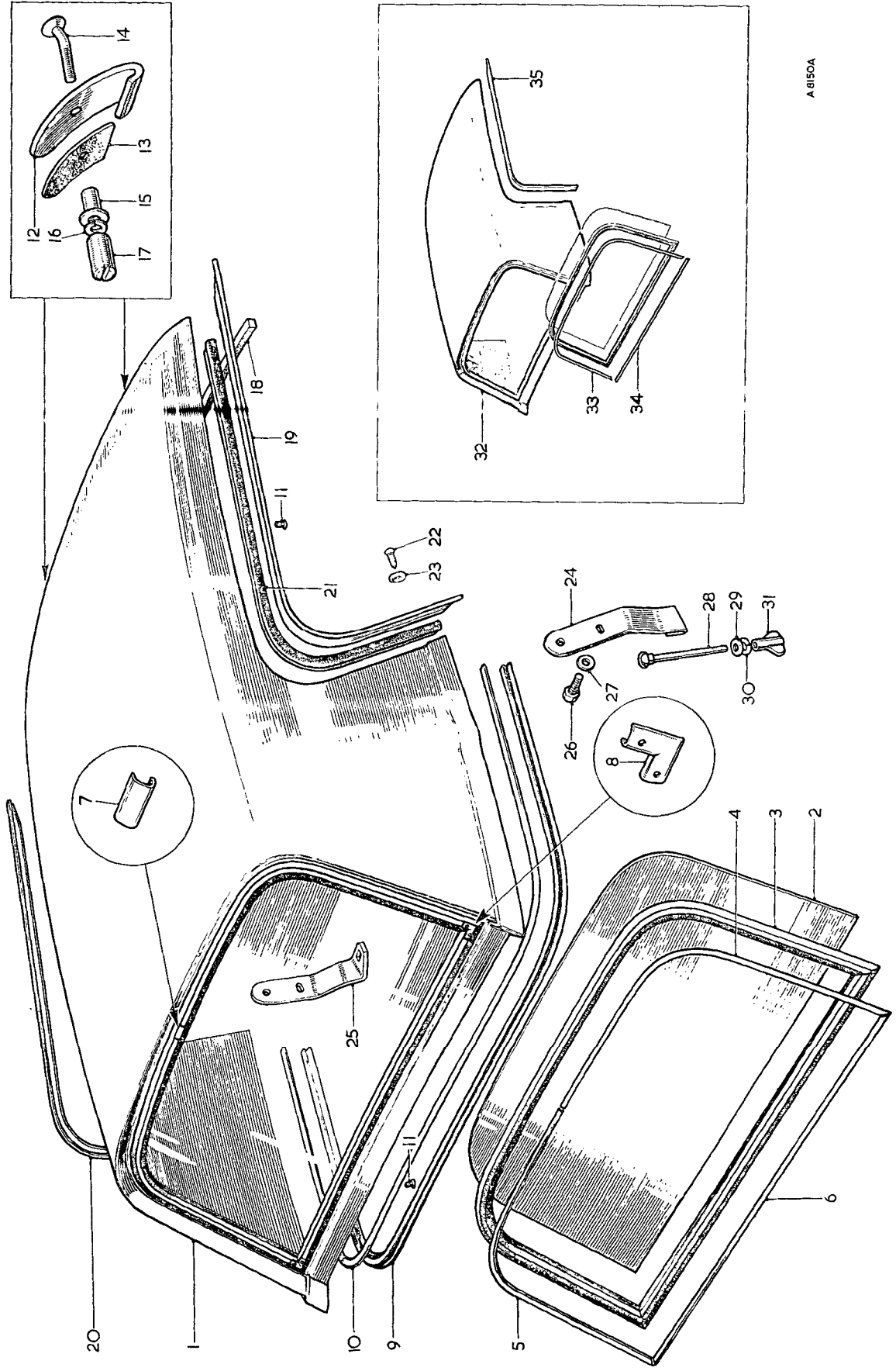
Item No.	DESCRIPTION	Commencing (C) GANI/101		Qty. per Veh.	MODIFICATIONS		REMARKS
		Part Number	Illus. No.		New Part Number	Change Point	
1	Hard top assembly—Dark Red	AHA6301	1	1			
2	Hard top assembly—Dark Blue	AHA6302		1			
3	Hard top assembly—Dark Grey	AHA6303		1			
4	Hard top assembly—Old English White	AHA6323		1			
5	Back-light	AHA6242	2	1			
6	Rubber—glazing—back-light	AHA6386	3	1			
7	Finisher—back-light—upper—RH	AHA6244	4	1			
8	Finisher—back-light—upper—LH	AHA6245	5	1			
9	Finisher—back-light—lower	AHA6259	6	1			
10	Capping—back-light finisher—centre	ADH573	7	1			
11	Capping—back-light finisher—corner	AHA6246	8	2			
12	Screw—corner capping to hard top	54K3021	4	4			
13	Rubber—sealing—hard top to body	AHA6240	9	1			
14	Retainer—sealing rubber	AHA6241	10	1			
15	Rivet—pop—retainer	AHA6355	11	12			
16	Clamp—front	AHA6236	12	2			
17	Washer—seating—clamp	AHA6251	13	2			
18	Bolt—clamp to hard top	AHA6354	14	2			
19	Bush	AHA6237	15	2			
20	Washer—spring—bolt	LWZ204	16	2			
21	Nut—bolt	AHA6238	17	2			
22	Rubber—sealing—hard top to windscreen	AHA6250	18	1			
23	Moulding—drip—RH	AHA6318	19	1			
24	Moulding—drip—LH	AHA6319	20	1			
25	Rivet—pop—moulding	AHA6355	11	24			
26	Rubber—sealing—sidescreen	AHA6239	21	2			
27	Screw—sealing rubber to hard top	RTP403	22	4			
28	Washer—cup—screw	FWP106	23	4			
29	Clamp—side—RH	AHA6332	24	1			
30	Clamp—side—LH	AHA6333	25	1			
31	Screw—clamp to hard top	HPS0507	26	4			
32	Washer—plain—screw	PWP105	27	4			
33	Bolt—clamp—hard top to body	AHA6249	28	2			
34	Washer—plain—bolt	53K8427	29	2			
35	Washer—spring—bolt	LWZ205	30	2			
36	Nut—wing—bolt	24B540	31	2			

Use optional extra sliding sidescreens  
AHA6150 RH and AHA6151 LH with  
this hard top (see page R.8)

Fin. (C) 16183







A 8150A

**SERVICE PARTS LIST**

**THE M.G. MIDGET**

Item No.	DESCRIPTION	Commencing (C) GANI/101		Qty. per Veh.	MODIFICATIONS		REMARKS
		Part Number	Illus. No.		New Part Number	Change Point	
1	Hard Top—continued						
2	Hard top assembly—Dark Red	AHA6459	32	1			
3	Hard top assembly—Dark Blue	AHA6460		1			
4	Hard top assembly—Dark Grey	AHA6461		1			
5	Hard top assembly—Old English White	AHA6462		1			
6	Back-light	AHA6242	2	1			
7	Rubber—glazing—back-light	AHA6472	3	1			
8	Finisher—back-light—upper	AHA6473	33	1			
9	Finisher—back-light—lower	AHA6474	34	1			
10	Rubber—sealing—hard top to body	AHA6240	0	1			
11	Retainer—sealing rubber	AHA6241	10	1			
12	Rivet—pop—retainer	AHA6355	11	12			
13	Clamp—front	AHA6236	12	2			
14	Washer—seating—clamp	AHA6251	13	2			
15	Bolt—clamp to hard top	AHA6354	14	2			
16	Push	AHA6237	15	2			
17	Washer—spring—bolt	LWZ204	16	2			
18	Nut—bolt	AHA6238	17	2			
19	Rubber—sealing—hard top to windscreen	AHA6250	18	1			
20	Moulding—drip—RH	AHA6467	35	1			
21	Moulding—drip—LH	AHA6468		1			
22	Rivet—pop—moulding	AHA6355	11	24			
23	Rubber—sealing—sidescreen	AHA6239	21	2			
24	Screw—sealing rubber to hard top	RTP403	22	4			
25	Washer—cup—screw	FWP106	23	4			
26	Clamp—side—RH	AHA6470		1			
27	Clamp—side—LH	AHA6471		1			
28	Screw—clamp to hard top	HPS0507	26	4			
29	Washer—plain—screw	FWP105	27	4			
30	Bolt—clamp—hard top to body	AHA6249	28	2			
31	Washer—plain—bolt	53K3427	29	2			
32	Washer—spring—bolt	LWZ205	30	2			
	Nut—wing—bolt	24B540	31	2			

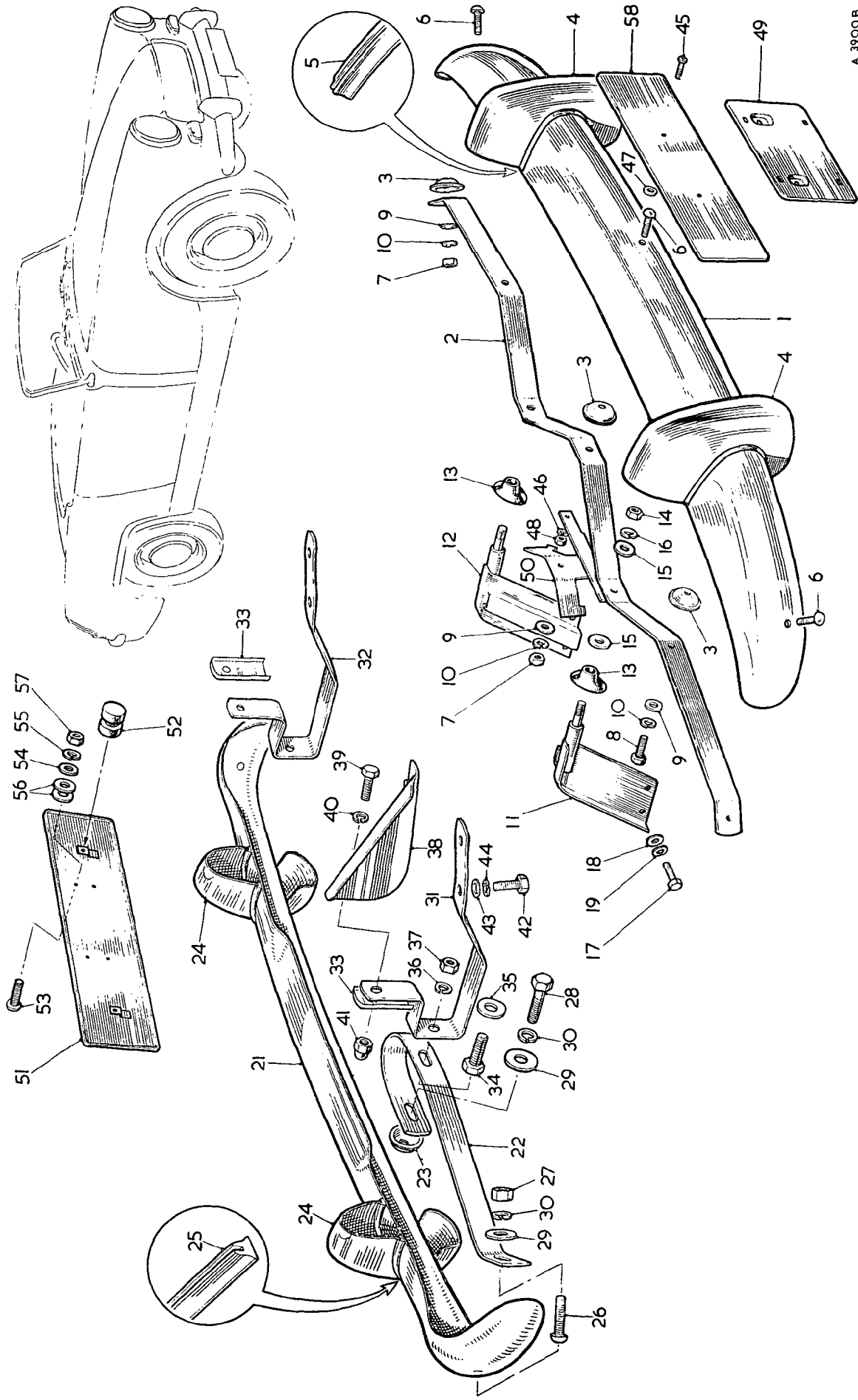
Use standard sliding sidescreens  
 AHA5794 RH and AHA5795 LH to  
 (C) 16183 and AHA6501 RH and  
 AHA6502 LH from (C) 16184 with  
 this hard top (see page R.8)

**SERVICE PARTS LIST**

**THE M.G. MIDGET**

Item No.	DESCRIPTION	Commencing (C) GANJ/101		Qty. per Veh.	MODIFICATIONS		REMARKS
		Part Number	Illus. No.		New Part Number	Change Point	
1	<b>Bumper assembly—front</b>	<b>NSP</b>		<b>1</b>			
2	Bar—bumper	AHA5695	1	1			
3	Spring—bumper bar	AHA5696	2	1			
4	Packing piece	11B5721	3	5			
5	<b>Over-rider assembly</b>	<b>AHA5686</b>	<b>4</b>	<b>2</b>			
6	Moulding—over-rider	37H9871	5	A/R			
7	Bolt—bumper bar to spring and number-plate bracket mounting	AHH5479	6	5/8			
8	Nut—bolt	FNZ106	7	5/8			
9	Bolt—over-rider and bumper bar to spring	HBZ0611	8	2			
10	Washer—plain—bolt	PWZ106	9	5			
11	Washer—spring—bolt	LWZ206	10	5			
12	<b>Bracket—bumper mounting—RH</b>	<b>AHA5521</b>	<b>11</b>	<b>1</b>			
13	Bracket—bumper mounting—LH	AHA5522	12	1			
14	Grommet—bracket (rubber)	130983	13	2			
15	Nut—bumper to mounting bracket stud	FNZ108	14	2			
16	Washer—plain—mounting bracket stud	PWZ208	15	4			
17	Washer—spring—mounting bracket stud	LWZ208	16	2			
18	Screw—mounting bracket to body	HZ50606	17	4			
19	<b>Towing eye—front</b>			<b>2</b>			
20	Screw—towing eye and mounting bracket to body		18	4			
21	Washer—plain—screw	LWZ206	19	4			
22	Washer—spring—screw						
23	<b>Bumper assembly—rear</b>	<b>NSP</b>		<b>1</b>			
24	Bar—bumper	AHA5678	21	1			
25	Spring—bumper bar	AHA5675	22	2			
26	Packing piece	11B5721	23	4			
27	<b>Over-rider assembly</b>	<b>AHA5686</b>	<b>24</b>	<b>2</b>			
28	Moulding—over-rider	37H9871	25	A/R			
29	Bolt—bumper bar to spring	AHH5479	26	4/2			
30	Nut—bolt	FNZ106	27	4/2			
31	Bolt—over-rider and bumper bar to spring	HBZ0611	28	2			
32	Washer—plain—bolt	PWZ106	29	4			
33	Washer—spring—bolt	LWZ206	30	4			
34	<b>Bracket—bumper support—RH</b>	<b>AHA5677</b>	<b>31</b>	<b>1</b>			
35	Bracket—bumper support—LH	AHA5678	32	1			
36	Finisher—support bracket	AHA5679	33	2			
37	Screw—support bracket to bumper	HZ50608	34	2			
38	Washer—plain—screw	PWZ106	35	2			
39	Washer—spring—screw	LWZ206	36	2			
40	Nut—screw	FNZ106	37	2			





A 3900B

SERVICE PARTS LIST

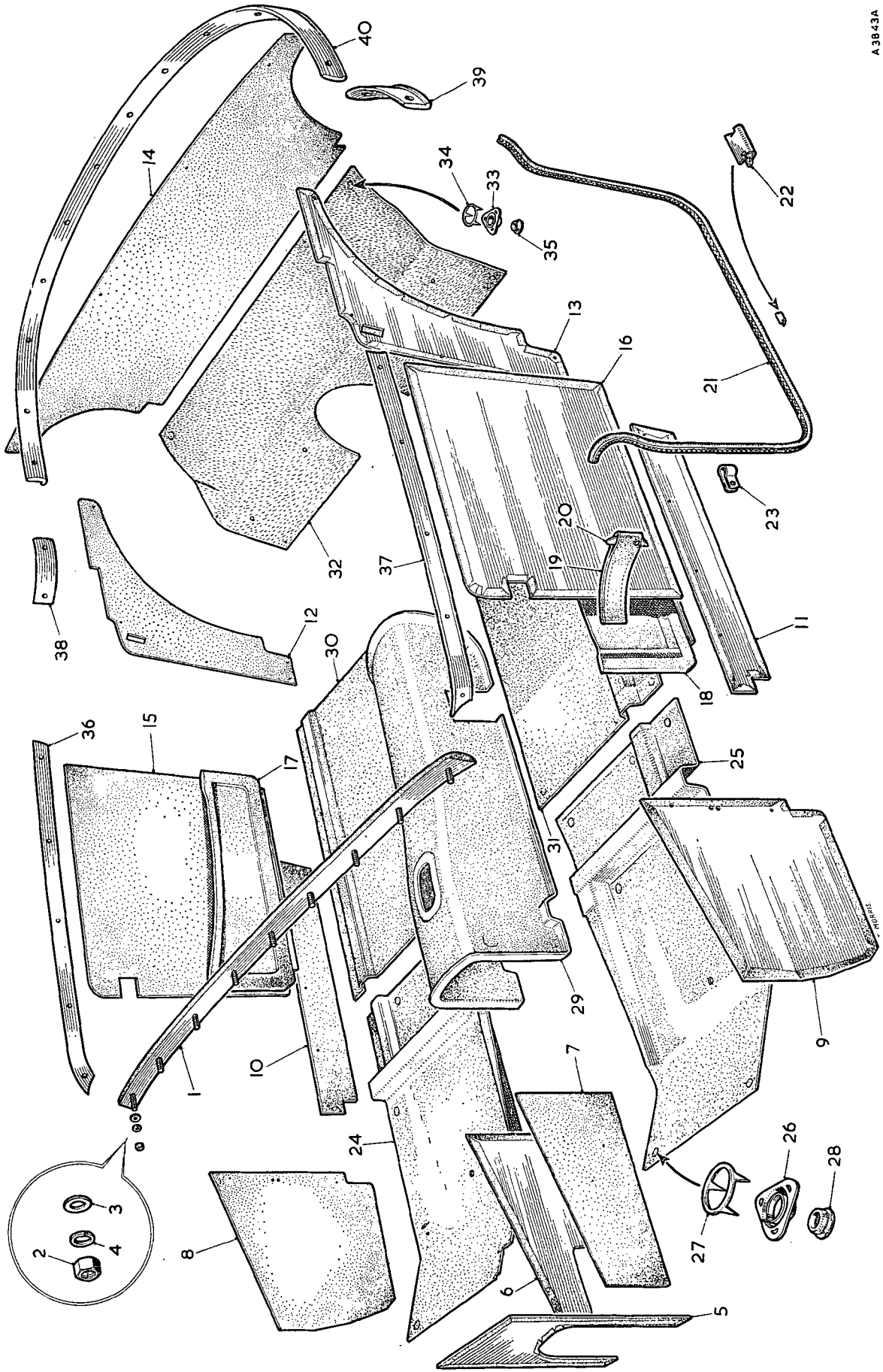
THE M.G. MIDGET

Item No.	DESCRIPTION	Commencing (C) GANI/101		Qty. per Veh.	MODIFICATIONS		REMARKS
		Part Number	Illus. No.		New Part Number	Change Point	
1	Bumpers and Number-plates—continued						
2	Bracket—bumper mounting	AHA5765	38	2			
3	Screw—support bracket and mounting bracket to body—upper	HZS0506	39	2			
4	Washer—spring—screw	LWZ205	40	2			
5	Nut—dome—screw	14B2685	41	2			
6	Screw—support bracket to mounting bracket and mounting bracket to body—lower	HZS0506	42	6			
7	Washer—plain—screw	PWZ105	43	6			
8	Washer—spring—screw	LWZ205	44	6			
9	Number-plate—front	ADG474	58	1			
10	Screw—number-plate to mounting bracket	PMZ0410	45	2			
11	Washer—spring—screw	LWZ204	46	2			
12	Washer—packing—screw	AHH5712	47	2			
13	Nut—screw	FNZ104	48	2			
14	Support—front number-plate	AHA5211	49	1			
15	Screw—support to mounting bracket	PMZ0410	2	2			
16	Washer—spring—screw	LWZ204	2	2			
17	Washer—packing—screw	AHH5712	2	2			
18	Nut—screw	FNZ104	2	2			
19	Bracket—number-plate mounting (fixed to bumper centre-line bolt)	AHA5533	50	1			
20	Number-plate—rear	AHA5791	51	1			
21	Buffer—number-plate	AHA5804	52	2			
22	Screw—number-plate to body	PMZ0412	53	2			
23	Washer—plain—screw	PWZ104	54	2			
24	Washer—spring—screw	LWZ204	55	2			
25	Washer—packing—screw	AHH5712	56	4			
26	Nut—screw	FNZ104	57	2			
27	Support—rear number-plate	AHA5211	49	1			
28	Screw—support to body	PMZ0412	2	2			
29	Washer—plain—screw	PWZ104	2	2			
30	Washer—spring—screw	LWZ204	2	2			
31	Washer—packing—screw	AHH5712	2	2			
	Nut—screw	FNZ104	2	2			

SERVICE PARTS LIST

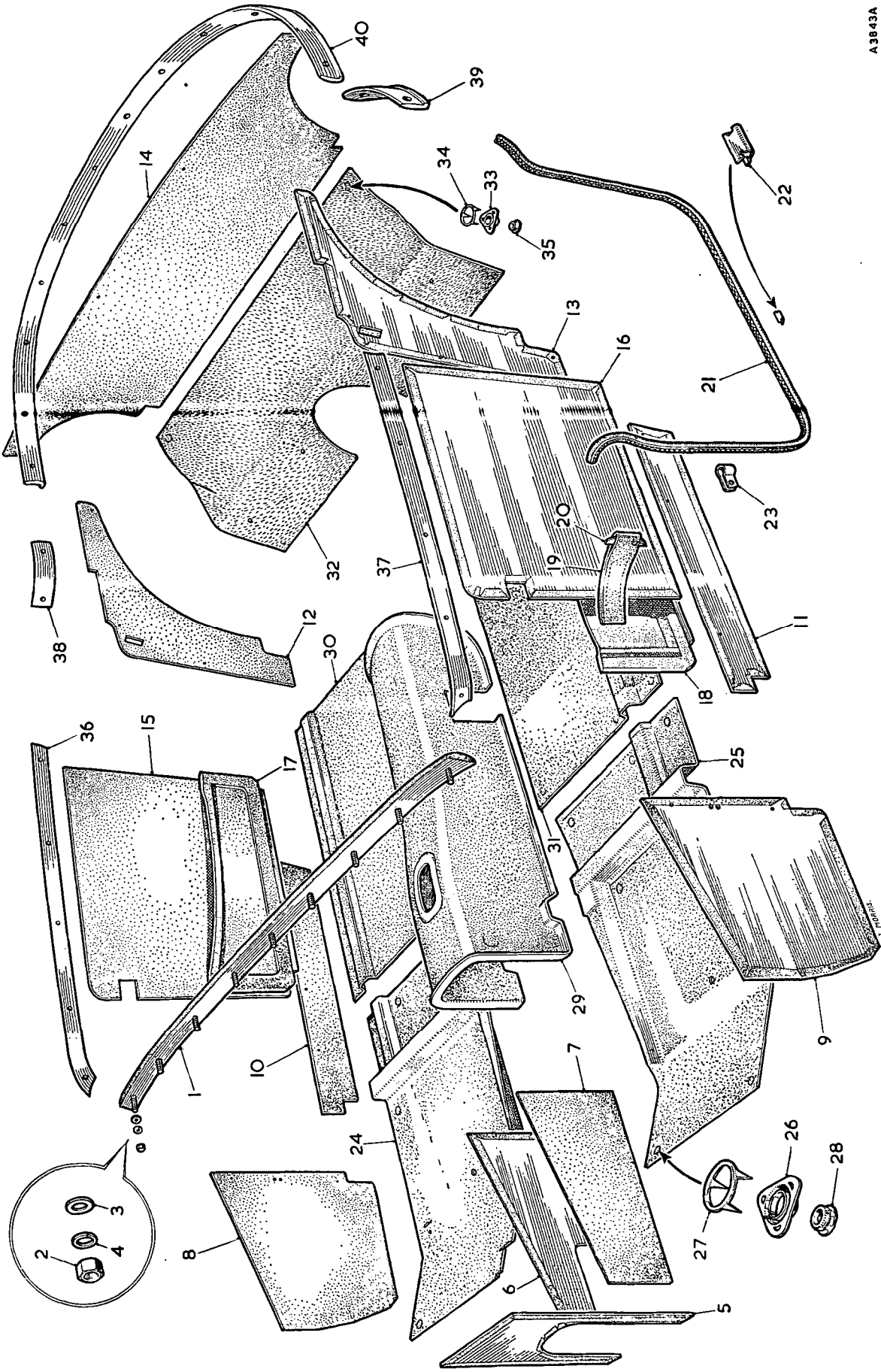
THE M.G. MIDGET

Item No.	DESCRIPTION	Commencing (C) GANI/101		Qty. per Veh.	New Part Number	MODIFICATIONS		REMARKS
		Part Number	Illus. No.			Change Point		
1	Trim roll assembly—fascia—Black	1	1	1				
2	Trim roll assembly—fascia—Red			1	AHA6163			
3	Trim roll assembly—fascia—Dark Blue			1	AHA6164			
4	Trim roll assembly—fascia—Green			1	AHA6165			
5	Nut—trim roll to fascia panel	2	9	9	AKE4741			
6	Washer—plain—nut	3	9	9	FNZ103			
7	Washer—spring—nut	4	9	9	PWZ103			
8	Liner assembly—engine front—Black	5	1	1	LWZ203			
9	Liner assembly—engine front—Dark Blue			1	AKE3024			
10	Liner assembly—engine front—Red			1	AKE3025			
11	Liner assembly—engine front—Green			1	AKE3026			
12	Liner assembly—engine side—RH—Black	6	1	1	AHA5094			
13	Liner assembly—engine side—RH—Red			1	AKE3027			
14	Liner assembly—engine side—RH—Dark Blue			1	AKE3028			
15	Liner assembly—engine side—RH—Green			1	AKE3029			
16	Liner assembly—engine side—LH—Black	7	1	1	AHA5204			
17	Liner assembly—engine side—LH—Red			1	AKE3030			
18	Liner assembly—engine side—LH—Dark Blue			1	AKE3031			
19	Liner assembly—engine side—LH—Green			1	AKE3032			
20	Screw—liner			6	AHA5208			
21	Washer—cup—screw			6	RTZ604			
22	Liner assembly—scuttle—RH—Black	8	1	1	7700		Fin. (C) 16183	7700 not available; use FWP106
23	Liner assembly—scuttle—RH—Red			1	AKE3033			
24	Liner assembly—scuttle—RH—Dark Blue			1	AKE3034			
25	Liner assembly—scuttle—RH—Green			1	AKE3035			
26	Liner assembly—scuttle—LH—Black	9	1	1	AHA5064			
27	Liner assembly—scuttle—LH—Red			1	AKE3036			
28	Liner assembly—scuttle—LH—Dark Blue			1	AKE3037			
29	Liner assembly—scuttle—LH—Green			1	AKE3038			
30	Screw—liner to 'A' post			4	AHA5069			
31	Washer—cup—screw			4	RTZ604			
32	Screw—liner to 'A' post			2	7700			7700 not available; use FWP106
33	Washer—spring—screw			2	CMZ0308			
34	Washer—cup—screw			2	FWP110			
35	Nut—screw			2	LWZ203			
36	Liner assembly—sill—RH—Black	10	1	1	FNZ103			
37	Liner assembly—sill—RH—Red			1	AKE3045			
38	Liner assembly—sill—RH—Dark Blue			1	AKE3046			
39	Liner assembly—sill—RH—Green			1	AKE3047			
40	Liner assembly—sill—LH—Black	11	1	1	AHA5104			
41	Liner assembly—sill—LH—Red			1	AKE3048			
42	Liner assembly—sill—LH—Dark Blue			1	AKE3049			
43	Liner assembly—sill—LH—Green			1	AKE3050			
					AHA5109			



A 3843A





A3843A

**SERVICE PARTS LIST**

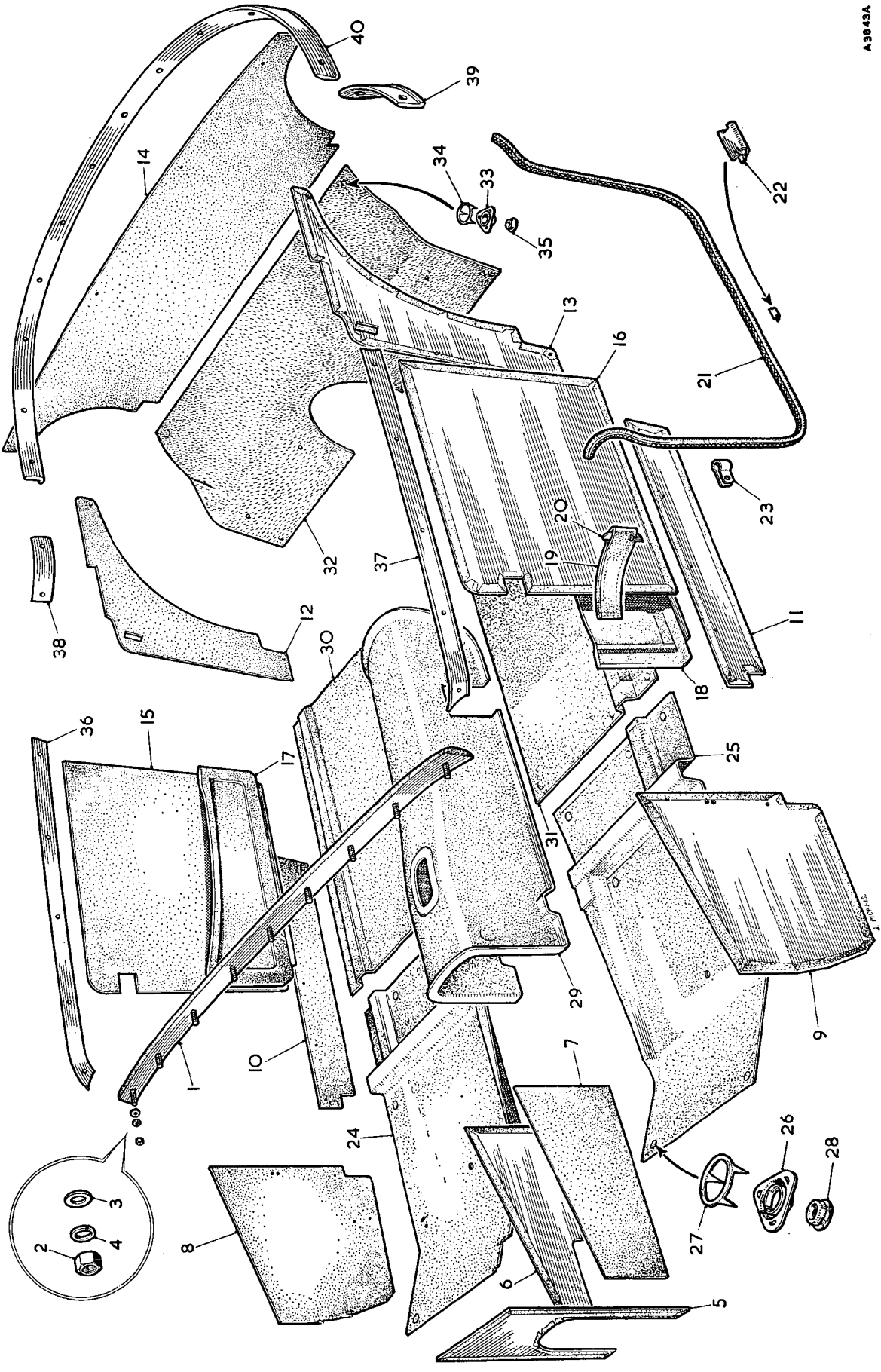
**THE M.G. MIDGET**

Item No.	DESCRIPTION	Commencing (C) GANI/101		Qty. per Veh.	MODIFICATIONS		REMARKS
		Part Number	Illus. No.		New Part Number	Change Point	
1	Trim—continued						
2	Screw—liner (3/8" [19.05 mm.])	RTZ606		2			
3	Screw—liner (5/8" [12.7 mm.])	RTZ604		8			
4	Washer—cup—screw	7700	12	10	FWP106		7700 not available; use FWP106
5	Liner assembly—rear quarter—RH—Black	AKE3039		1			
6	Liner assembly—rear quarter—RH—Red	AKE3040		1			
7	Liner assembly—rear quarter—RH—Dark Blue	AKE3041		1			
8	Liner assembly—rear quarter—RH—Green	AKE4784	13	1			
9	Liner assembly—rear quarter—LH—Black	AKE3042		1			
10	Liner assembly—rear quarter—LH—Red	AKE3043		1			
11	Liner assembly—rear quarter—LH—Dark Blue	AKE3044		1			
12	Liner assembly—rear quarter—LH—Green	AKE4785		1			
13	Screw—liner (1" [25.4 mm.])	RTZ608		4			
14	Screw—liner (3/8" [12.7 mm.])	RTZ604		8			
15	Washer—cup—screw	7700	14	12	FWP106		7700 not available; use FWP106
16	Liner assembly—rear bulkhead—Black	AKE3051		1			
17	Liner assembly—rear bulkhead—Red	AKE3052		1			
18	Liner assembly—rear bulkhead—Dark Blue	AKE3053		1			
19	Liner assembly—rear bulkhead—Green	AKE4786		1			
20	Rivet—liner to rear bulkhead	BHA4219		10			
21	Washer—cup—rivet	FWZ106	15	10		Fin. (C) 16183	
22	Liner—door—RH—Black	AHA5903		1			
23	Liner—door—RH—Red	AHA5904		1			
24	Liner—door—RH—Dark Blue	AHA6200		1			
25	Liner—door—RH—Green	AKE4780	16	1			
26	Liner—door—LH—Black	AHA5904		1			
27	Liner—door—LH—Red	AHA5906		1			
28	Liner—door—LH—Dark Blue	AHA6201		1			
29	Liner—door—LH—Green	AKE4781	17	1			
30	Liner assembly—door pocket—RH—Black	AHA5956		1			
31	Liner assembly—door pocket—RH—Red	AHA5955		1			
32	Liner assembly—door pocket—RH—Dark Blue	AHA5957		1			
33	Liner assembly—door pocket—RH—Green	AHA5054		1			
34	Liner assembly—door pocket—LH—Black	AHA5959	18	1			
35	Liner assembly—door pocket—LH—Red	AHA5958		1			
36	Liner assembly—door pocket—LH—Dark Blue	AHA5960		1			
37	Liner assembly—door pocket—LH—Green	AHA5059		1			
38	Rivet—liner to door	DMP0885		4			
39	Screw—liner to door	AHA5412		4			Part No. change; was 6K0789
40	Washer—cup—screw	7699		4			
	Nut—screw	AHA5413		4			

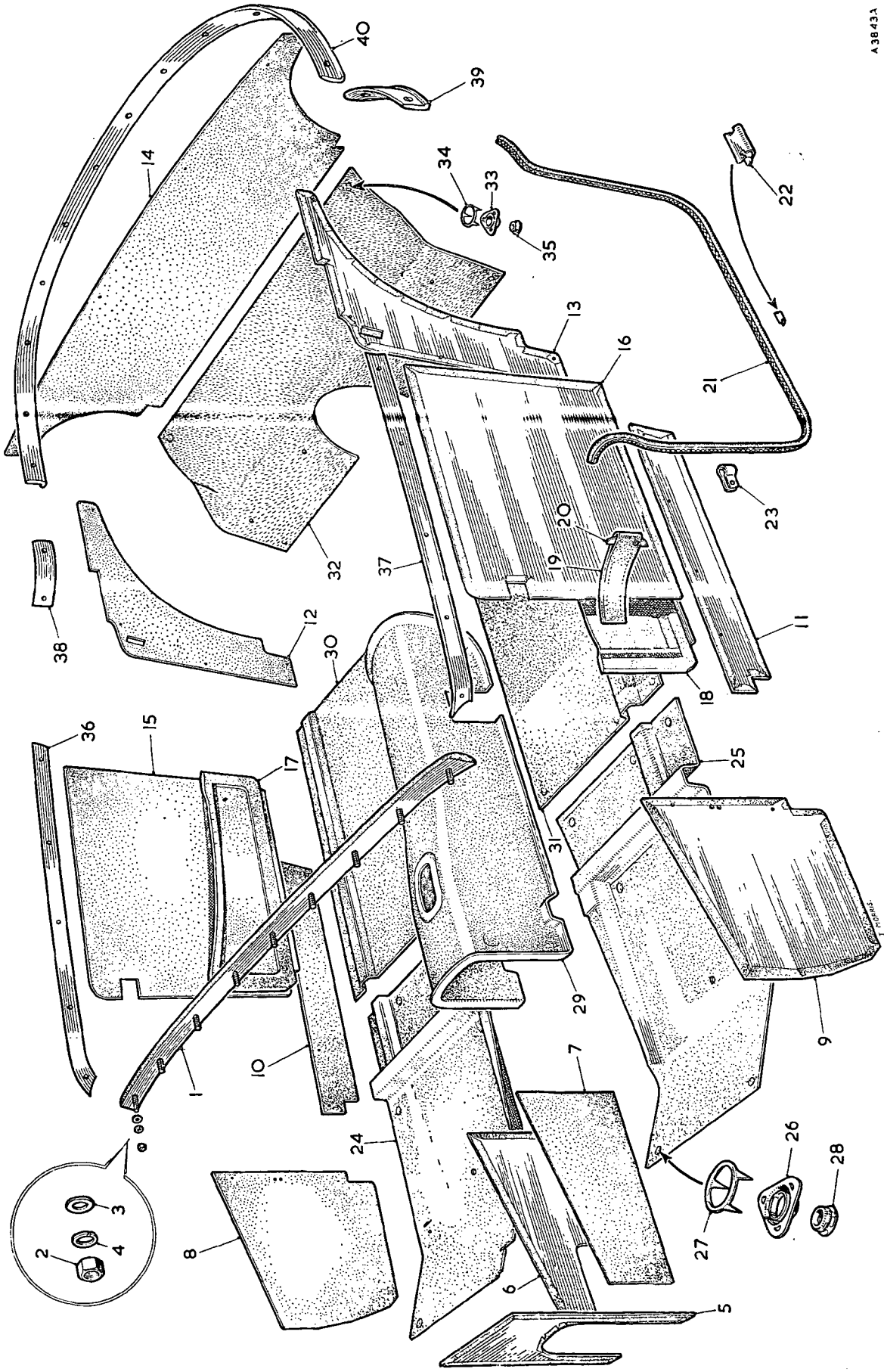
**SERVICE PARTS LIST**

**THE M.G. MIDGET**

Item No.	DESCRIPTION	Commencing (C) GAN/101		Qty. per Veh.	MODIFICATIONS		REMARKS
		Part Number	Illus. No.		New Part Number	Change Point	
1	Trim—continued						
2	Strap assembly—door check—Black	AHA5961	19	2			
3	Strap assembly—door check—Red	AHA5962		2			
4	Strap assembly—door check—Dark Blue	AHA5963		2		Fin. (C) 16183	
5	Strap assembly—door check—Green	AHA5999		2			
6	Retainer—check strap	14A764	20	2			
7	Screw—check strap and retainer to 'A' post	RMZ0810		4		Fin. (C) 15308	
8	Bracket—check strap			2		14A4745	
9	Screw—check strap, retainer, and bracket to 'A' post			4		RMZ0812	
10	<b>Draught excluder—door—Black</b>	AHA5120		2			<b>Not available; use 37H9953</b>
11	Draught excluder—door—Black (67" [170.18 cm.])	37H9984		A/R			Available in multiples of yards
12	Draught excluder—door—Red (67" [170.18 cm.])	AHA5119		A/R			Not available; use 37H9952
13	Draught excluder—door—Dark Blue			2			Available in multiples of yards
14	Draught excluder—door—Dark Blue (67" [170.18 cm.])	37H9954		A/R			
15	Draught excluder—door—Green (67" [170.18 cm.])	14G-5716	22	2			
16	Clip—draught excluder	PCR0709	23	2			
17	Washer—plain	PWZ203		2			
18	Screw—draught excluder to top rear of door.	RTZ606		2			
19	Washer—cup—screw	7700		2		FW1106	7700 not available; use FWP106
20	<b>Mat assembly—front—RH—Black with Red Fleck</b>	AHA6044	24	1			
21	Mat assembly—front—RH—Black with Off White Fleck	AHA6179		1			
22	Mat assembly—front—RH—Red with Black Fleck	AHA6043		1			
23	Mat assembly—front—RH—Red with Off White Fleck	AHA6180		1			
24	Mat assembly—front—RH—Dark Blue with Black Fleck	AHA6045		1			
25	<b>Mat assembly—front—RH—Black with Red Fleck</b>	AHA6050		1			
26	Mat assembly—front—RH—Black with Off White Fleck	AHA6183		1			
27	Mat assembly—front—RH—Red with Black Fleck	AHA6049		1			
28	Mat assembly—front—RH—Red with Off White Fleck	AHA6184		1			
29	Mat assembly—front—RH—Dark Blue with Black Fleck	AHA6051		1			



A3843A

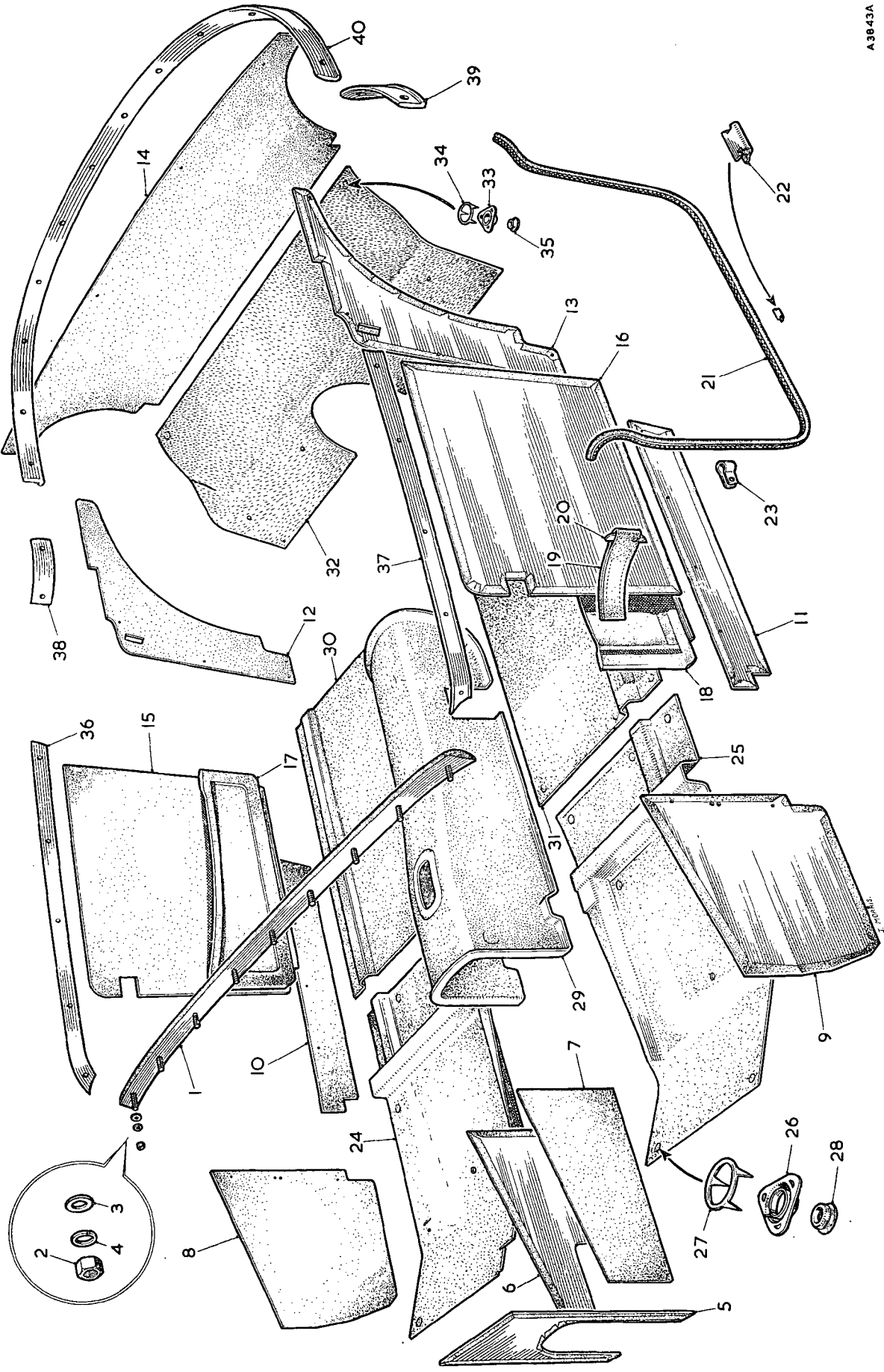


**SERVICE PARTS LIST**

**THE M.G. MIDGET**

Item No.	DESCRIPTION	Commencing (C) GANI/010		Qty. per Veh.	MODIFICATIONS		REMARKS
		Part Number	Illus. No.		New Part Number	Change Point	
1	Trim—continued						
2	Mat assembly—front—LH—Black with Red Fleck	AHA6047	25	1			
3	Mat assembly—front—LH—Black with Off White Fleck	AHA6181		1			
4	Mat assembly—front—LH—Red with Black Fleck	AHA6046		1			
5	Mat assembly—front—LH—Red with Off White Fleck	AHA6182		1			
6	Mat assembly—front—LH—Dark Blue with Black Fleck	AHA6048		1			
7	Mat assembly—front—LH—Dark Blue with Off White Fleck	AHA6053		1			
8	Mat assembly—front—LH—Black with Off White Fleck	AHA6185		1			
9	Mat assembly—front—LH—Red with Black Fleck	AHA6052		1			
10	Mat assembly—front—LH—Red with Off White Fleck	AHA6186		1			
11	Mat assembly—front—LH—Dark Blue with Black Fleck	AHA6054		1			
12	Fastener—mat	2H8445	26	14			
13	Ring—fastener to mat	14G8736	27	14		Fin. (C) 16183	
14	Fastener—floor	ADB4811	28	14			
15	Screw—fastener to floor	CTZ604		14			
16	Mat assembly—gearbox and tunnel—Black with Red Fleck	AHA6056	29	1			
17	Mat assembly—gearbox and tunnel—Black with Off White Fleck	AHA6187		1			
18	Mat assembly—gearbox and tunnel—Red with Black Fleck	AHA6055		1			
19	Mat assembly—gearbox and tunnel—Red with Off White Fleck	AHA6188		1			
20	Mat assembly—gearbox and tunnel—Dark Blue with Black Fleck	AHA6057		1			





A3843A

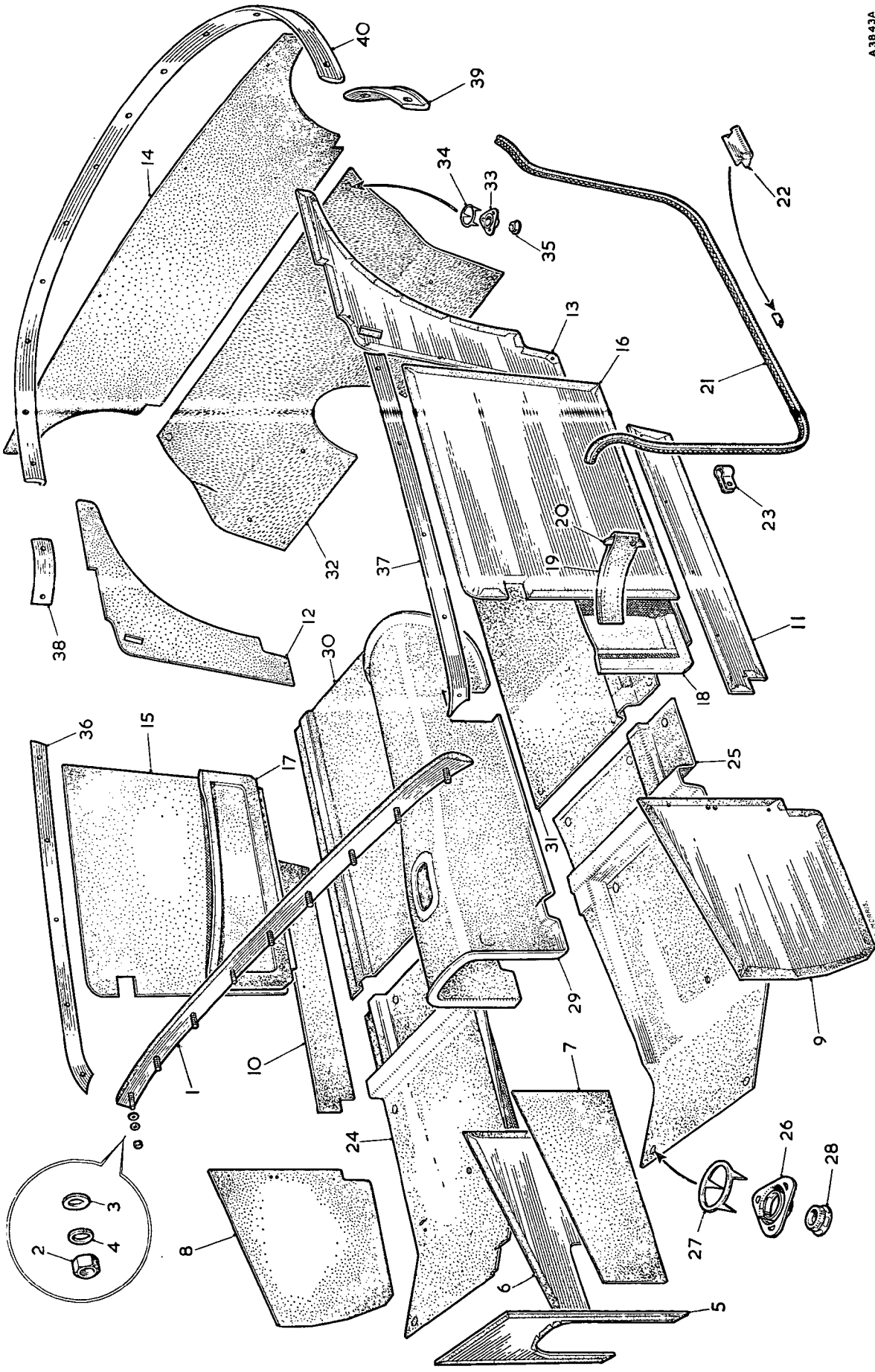
To face page R.20



SERVICE PARTS LIST

PLATE RK

THE M.G. MIDGET



A3843A

To face page R.21

**SERVICE PARTS LIST**

**THE M.G. MIDGET**

Item No.	DESCRIPTION	Commencing (C) GANI/101		Qty. per Veh.	MODIFICATIONS		REMARKS
		Part Number	Illus. No.		New Part Number	Change Point	
1	<b>TRIM FINISHERS</b>						
2	<b>Finisher—door—top—RH</b>	AHA5268	36	1			
3	Finisher—door top—LH	AHA5269	37	1			
4	Screw—finisher to door top	RMZ0810		6			
5	Washer—shakeproof—screw	LWZ503		6			
6	Nut—screw	FNZ108		6			
7	<b>Finisher—cockpit rear—RH</b>	AHA5812	38	1			
8	Finisher—cockpit rear—LH	AHA5813	39	1			
9	Screw—finisher to cockpit rear (1" [25.4 mm.])	RMZ0816		2			
10	Screw—finisher to cockpit rear (3/4" [19.05 mm.])	RMZ0812		2		Fin. (C) 16183	
11	Washer—plain—screw	PWZ203		4			
12	Washer—shakeproof—screw	LWZ503		4			
13	Nut—screw	FNZ108		4			
14	<b>Finisher—cockpit rear—centre</b>	AHA5814	40	1			
15	Screw—finisher to cockpit rear	RMZ0812		11			
16	Washer—plain—screw	PWZ203		11			
17	Washer—shakeproof—screw	LWZ503		11			
18	Nut—screw	FNZ103		11			
19							
20	<b>BULK MATERIAL—TRIM</b>						
21	<b>Leathercloth—50" wide—Black</b>	AHA5935		A/R		Fin. (C) 16183	
22	Leathercloth—50" wide—Red	AHA5934		A/R			
23	Leathercloth—50" wide—Dark Blue	AHA5936		A/R			
24	Leathercloth—50" wide—Green	AHA5938		A/R			
25	<b>Carpet—Black with Red Fleck</b>	AHA6143		A/R		Fin. (C) 10741	
26	Carpet—Red with Black Fleck	AHA6142		A/R		Com. (C) 10742	
27	Carpet—Red/Black 50/50 blend			A/R		Fin. (C) 16183	
28	Carpet—Black with Off White Fleck	AHA6145		A/R			
29	Carpet—Red with Off White Fleck	AHA6140		A/R		Fin. (C) 16183	
30	Carpet—Dark Blue with Black Fleck	AHA6144		A/R			

**SERVICE PARTS LIST**

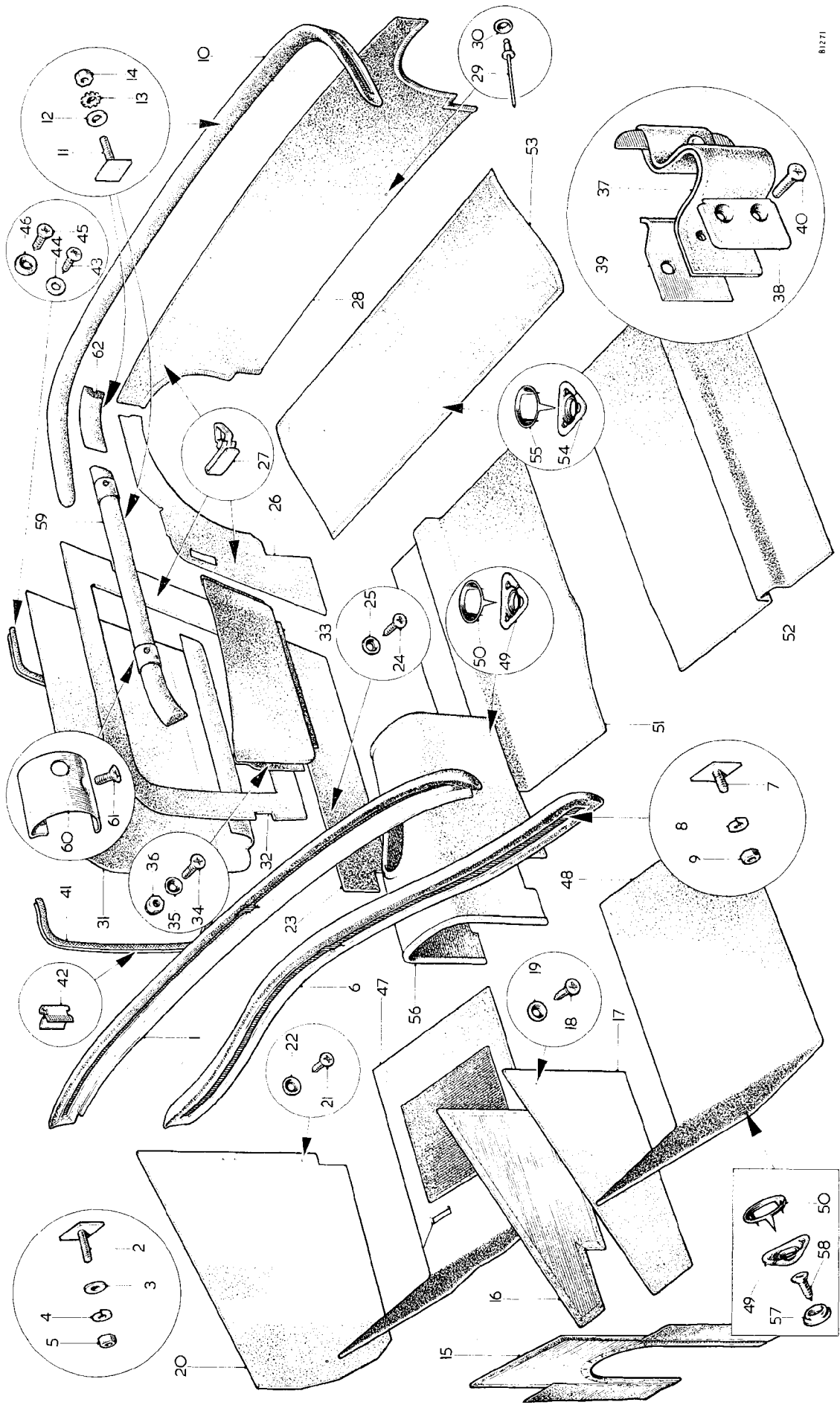
**THE M.G. MIDGET**

Item No.	DESCRIPTION	Commencing (C) 16184		Qty. per Veh.	MODIFICATIONS		REMARKS
		Part Number	Illus. No.		New Part Number	Change Point	
1	Trim roll assembly—fascia—upper—Red	AHA6535	1	1			
2	Trim roll assembly—fascia—upper—Black	AHA6536		1			
3	Trim roll assembly—fascia—upper—Blue	AHA6537		1			
4	Trim roll assembly—fascia—upper—Hazelnut	AHA6538		1			
5	Stud plate—trim roll	AHH6417	2	9			
6	Washer—plain—stud plate	PWZ103	3	9			
7	Washer—spring—stud plate	LWZ203	4	9			
8	Nut—stud plate	FNZ103	5	9			
9	Trim roll assembly—fascia—lower—Red	AHA6678	6	1			
10	Trim roll assembly—fascia—lower—Black	AHA6679		1			
11	Trim roll assembly—fascia—lower—Blue	AHA6680		1			
12	Trim roll assembly—fascia—lower—Hazelnut	AHA6681		1			
13	Trim roll assembly—fascia—lower—Red	AHA6682		1			
14	Trim roll assembly—fascia—lower—Black	AHA6683		1			
15	Trim roll assembly—fascia—lower—Blue	AHA6684		1			
16	Trim roll assembly—fascia—lower—Hazelnut	AHA6685		1			
17	Stud plate—trim roll	AHH6860	7	7			
18	Washer—spring—stud plate	LWZ203	8	7			
19	Nut—stud plate	FNZ103	9	7			
20	Trim roll assembly—cockpit rear centre—Red	AHA6520	10	1			
21	Trim roll assembly—cockpit rear centre—Black	AHA6521		1			
22	Trim roll assembly—cockpit rear centre—Blue	AHA6522		1			
23	Trim roll assembly—cockpit rear centre—Hazelnut	AHA6523		1			
24	Stud plate—trim roll to body	AHH6417	11	11			
25	Washer—plain—stud plate	PWZ203	12	11			
26	Washer—shakproof—stud plate	LWZ303	13	11			
27	Nut—stud plate	FNZ103	14	11			
28	Liner assembly—engine front—Red	AHA6716	15	1			
29	Liner assembly—engine front—Black	AHA6717		1			
30	Liner assembly—engine front—Blue	AHA6719		1			
31	Liner assembly—engine front—Hazelnut	AHA6718		1			
32	Liner assembly—engine side—RH—Red	AHA6724	16	1			
33	Liner assembly—engine side—RH—Black	AHA6725		1			
34	Liner assembly—engine side—RH—Blue	AHA6727		1			
35	Liner assembly—engine side—RH—Hazelnut	AHA6726		1			
36	Liner assembly—engine side—LH—Red	AHA6732	17	1			
37	Liner assembly—engine side—LH—Black	AHA6733		1			
38	Liner assembly—engine side—LH—Blue	AHA6735		1			
39	Liner assembly—engine side—LH—Hazelnut	AHA6734		1			
40	Screw—liner	RTP2604	18	6			
41	Washer—cup—screw	FWP906	19	6			

SERVICE PARTS LIST

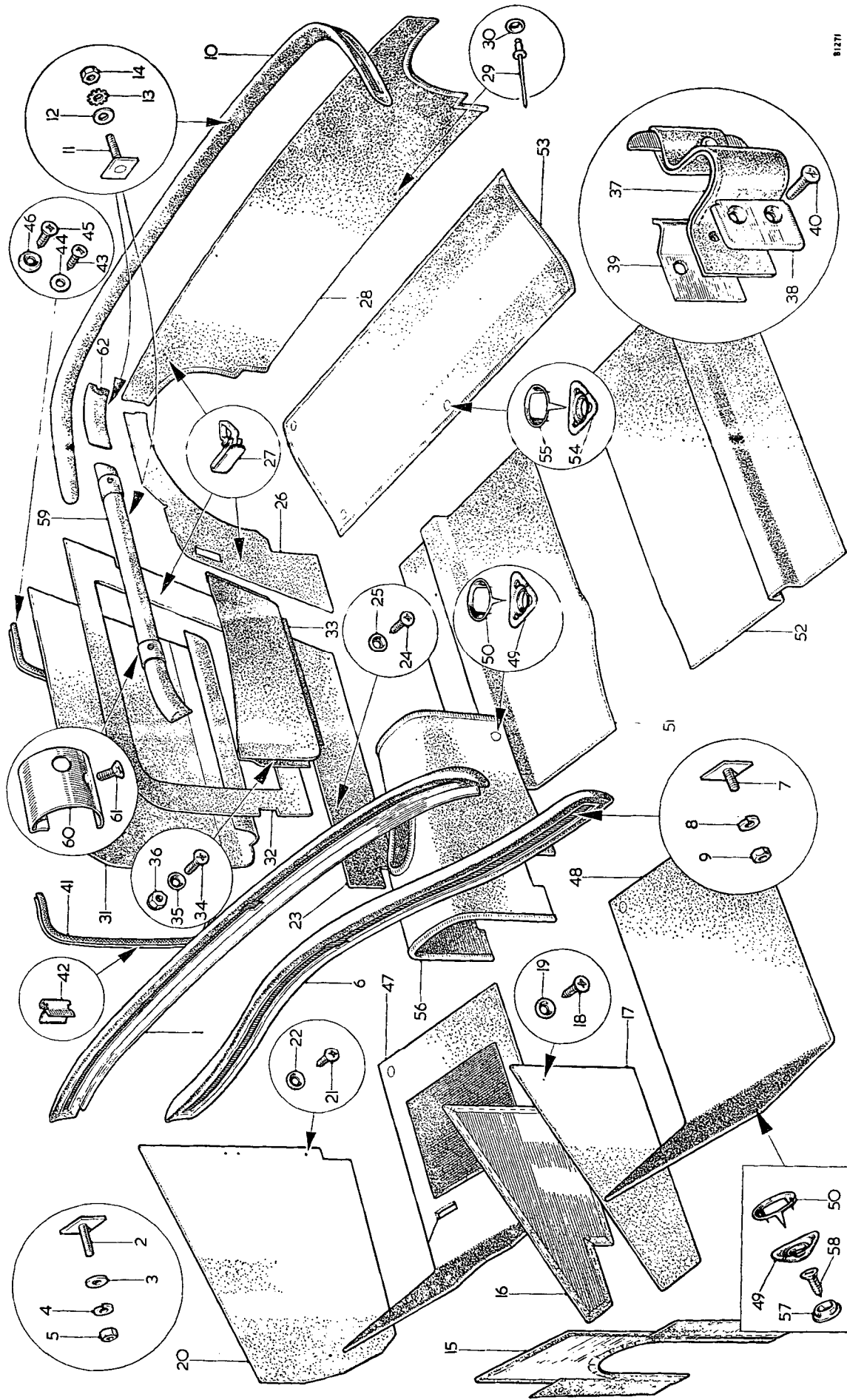
PLATE RL

THE M.G. MIDGET



81271

To face page R.22



81271

**SERVICE PARTS LIST**

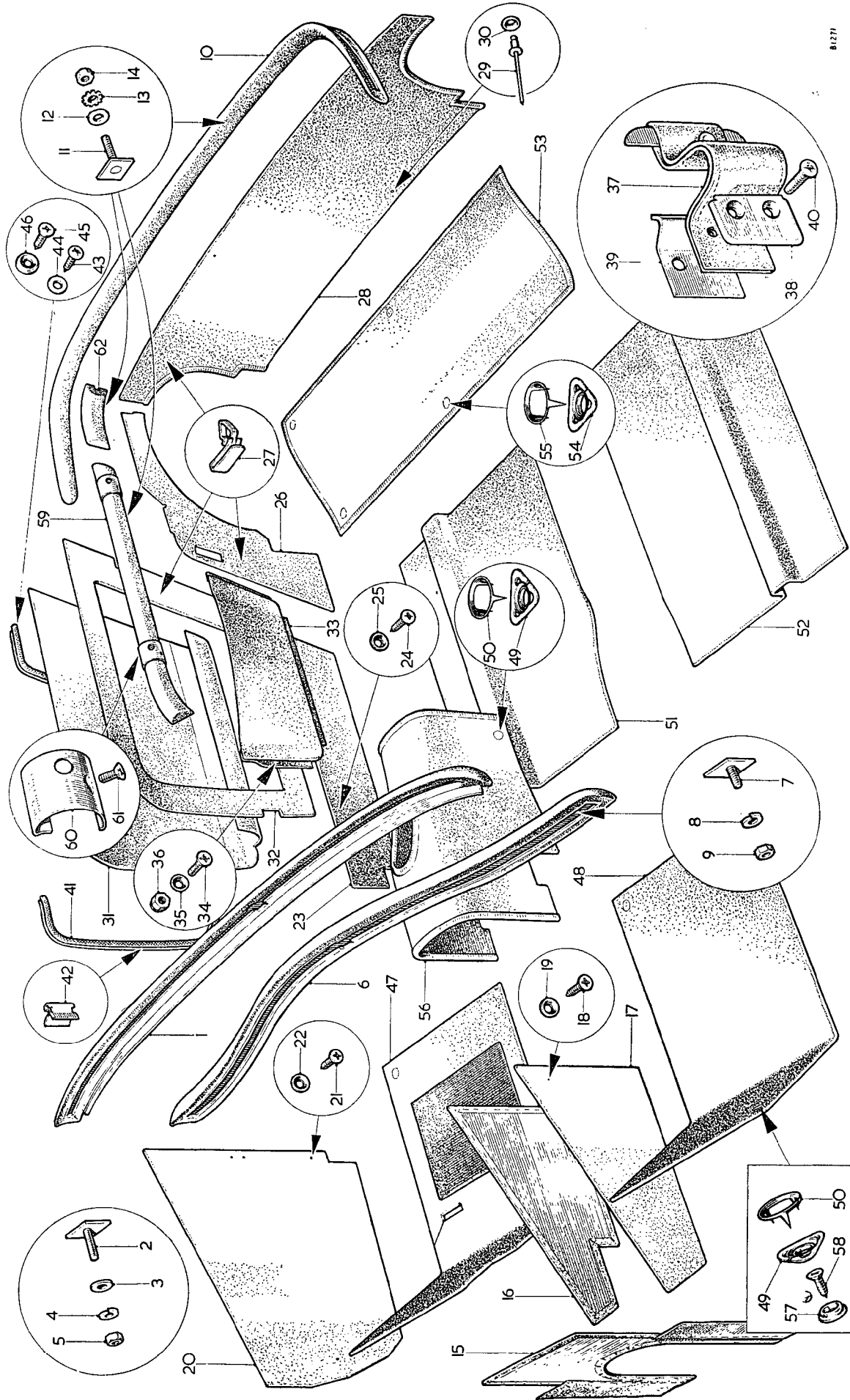
**THE M.G. MIDGET**

Item No.	DESCRIPTION	Commencing (C) 16184		Qty. per Veh.	MODIFICATIONS		REMARKS
		Part Number	Illus. No.		New Part Number	Change Point	
1	Trim—continued						
2	Liner assembly—scuttle—RH—Red	AHA6740	20	1			
3	Liner assembly—scuttle—RH—Black	AHA6741		1			
4	Liner assembly—scuttle—RH—Blue	AHA6743		1			
5	Liner assembly—scuttle—RH—Hazelnut	AHA6742		1			
6	Liner assembly—scuttle—LH—Red	AHA6748		1			
7	Liner assembly—scuttle—LH—Black	AHA6749		1			
8	Liner assembly—scuttle—LH—Blue	AHA6751		1			
9	Liner assembly—scuttle—LH—Hazelnut	AHA6750		1			
10	Screw—liner to 'A' post	RTP2604	21	6			
11	Washer—cup—screw	FWP906	22	6			
12	Liner assembly—sill—RH—Red	AHA6772	23	1			
13	Liner assembly—sill—RH—Black	AHA6773		1			
14	Liner assembly—sill—RH—Blue	AHA6775		1			
15	Liner assembly—sill—RH—Hazelnut	AHA6774		1			
16	Liner assembly—sill—LH—Red	AHA6780		1			
17	Liner assembly—sill—LH—Black	AHA6781		1			
18	Liner assembly—sill—LH—Blue	AHA6783		1			
19	Liner assembly—sill—LH—Hazelnut	AHA6782		1			
20	Screw—liner (3/4" [19.05 mm.])	RTP2606	24	2			
21	Screw—liner (3/4" [12.7 mm.])	RTP2604	25	8			
22	Washer—cup—screw	FWP906	25	10			
23	Liner assembly—rear quarter—RH—Red	AHA6756	26	1			
24	Liner assembly—rear quarter—RH—Black	AHA6757		1			
25	Liner assembly—rear quarter—RH—Blue	AHA6759		1			
26	Liner assembly—rear quarter—RH—Hazelnut	AHA6758		1			
27	Liner assembly—rear quarter—LH—Red	AHA6764		1			
28	Liner assembly—rear quarter—LH—Black	AHA6765		1			
29	Liner assembly—rear quarter—LH—Blue	AHA6767		1			
30	Liner assembly—rear quarter—LH—Hazelnut	AHA6766		1			
31	Clip—liner	ADA1874	27	10			
32	Liner assembly—rear bulkhead—Red	AHA6784	28	1			
33	Liner assembly—rear bulkhead—Black	AHA6785		1			
34	Liner assembly—rear bulkhead—Blue	AHA6787		1			
35	Liner assembly—rear bulkhead—Hazelnut	AHA6786		1			
36	Clip—liner	ADA1874	27	2			
37	Rivet—liner to rear bulkhead	KMP0835	29	8			
	Washer—cup—rivet	FWP906	30	8			

**SERVICE PARTS LIST**

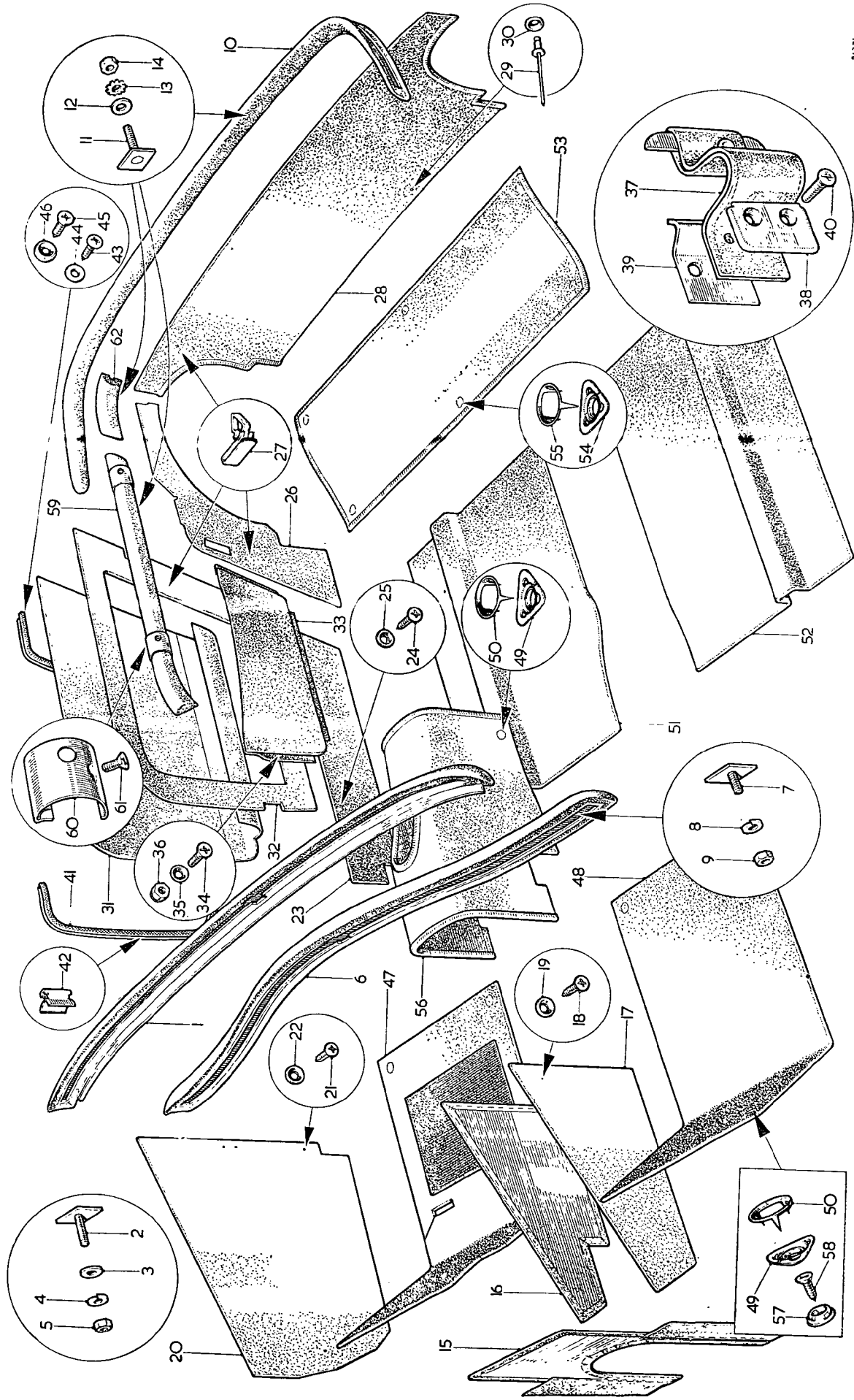
**THE M.G. MIDGET**

Item No.	DESCRIPTION	Commencing (C) 16184		Qty. per Veh.	MODIFICATIONS		REMARKS
		Part Number	Illus. No.		New Part Number	Change Point	
1	Trim—continued						
2	Liner—door inner—RH—Red	AHA6845	31	1			
3	Liner—door inner—RH—Black	AHA6846		1			
4	Liner—door inner—RH—Blue	AHA6848		1			
5	Liner—door inner—RH—Hazelnut	AHA6847		1			
6	Liner—door inner—LH—Red	AHA6849		1			
7	Liner—door inner—LH—Black	AHA6850		1			
8	Liner—door inner—LH—Blue	AHA6852		1			
9	Liner—door inner—LH—Hazelnut	AHA6851		1			
10	Liner assembly—door outer—RH—Red	AHA6829	32	1			
11	Liner assembly—door outer—RH—Black	AHA6830		1			
12	Liner assembly—door outer—RH—Blue	AHA6832		1			
13	Liner assembly—door outer—RH—Hazelnut	AHA6831		1			
14	Liner assembly—door outer—LH—Red	AHA6837		1			
15	Liner assembly—door outer—LH—Black	AHA6838		1			
16	Liner assembly—door outer—LH—Blue	AHA6840		1			
17	Liner assembly—door outer—LH—Hazelnut	AHA6839		1			
18	Clip—liner	ADA1874	27	32			
19	Liner assembly—door pocket—RH—Red	AHA6853	33	1			
20	Liner assembly—door pocket—RH—Black	AHA6854		1			
21	Liner assembly—door pocket—RH—Blue	AHA6856		1			
22	Liner assembly—door pocket—RH—Hazelnut	AHA6855		1			
23	Liner assembly—door pocket—LH—Red	AHA6861		1			
24	Liner assembly—door pocket—LH—Black	AHA6862		1			
25	Liner assembly—door pocket—LH—Blue	AHA6864		1			
26	Liner assembly—door pocket—LH—Hazelnut	AHA6863		1			
27	Screw—liner to door	AHA6979	34	4			
28	Washer—cup—screw	FWP908	35	4			
29	Nut—screw	AHA5413	36	4			
30	Strap assembly—door check—Red	AHA5881	37	2			
31	Strap assembly—door check—Black	AHA6882		2			
32	Strap assembly—door check—Blue	AHA6884		2			
33	Strap assembly—door check—Hazelnut	AHA6883		2			
34	Retainer—check strap	14A764	38	2			
35	Bracket—check strap	14A6745	39	2			
	Screw—check strap, retainer, and bracket to 'A' post	RMP2312	40	4			



81277





81271

**SERVICE PARTS LIST**

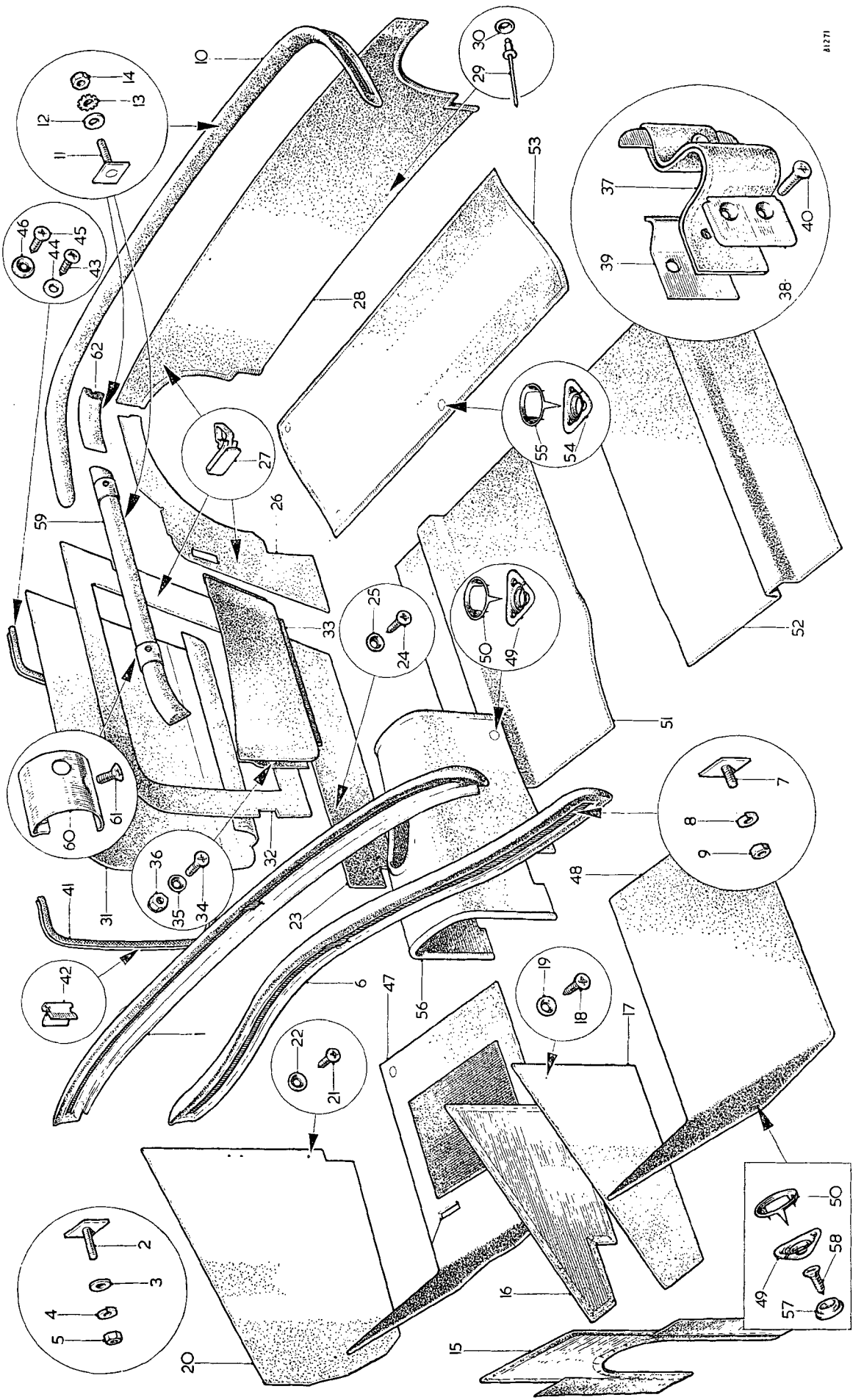
**THE M.G. MIDGET**

Item No.	DESCRIPTION	Commencing (C) 10184		Qty. per Veh.	MODIFICATIONS		REMARKS
		Part Number	Illus. No.		New Part Number	Change Point	
1	Trim—continued						
2	Draught excluder—door—Black (67" [170-18 cm.])	37H9953	41	A/R			Available in multiples of yards
3	Draught excluder—door—Red (67" [170-18 cm.])	37H9984		A/R			
4	Draught excluder—door—Dark Blue (67" [170-18 cm.])	37H9952		A/R			
5	Draught excluder—door—Hazelnut (67" [170-18 cm.])			A/R			
6	Clip—draught excluder	14C5716	42	64			
7	Screw—draught excluder	PIZ603	43	2			
8	Washer—plain—screw	PWZ203	44	2			
9	Screw—draught excluder to top rear of door	RTZ606	45	2			
10	Washer—cup—screw	FWP106	46	2			
11	Carpet assembly—front—RH—Cardinal	AHA6641	47	1			
12	Carpet assembly—front—RH—Black	AHA6642		1			
13	Carpet assembly—front—RH—Hazelnut	AHA6643		1			
14	Carpet assembly—front—RH—Blue	AHA6644		1			
15	Carpet assembly—front—LH—Cardinal	AHA6645	48	1			
16	Carpet assembly—front—LH—Black	AHA6646		1			
17	Carpet assembly—front—LH—Hazelnut	AHA6647		1			
18	Carpet assembly—front—LH—Blue	AHA6648		1			
19	Carpet assembly—front—RH—Cardinal	AHA6649		1			
20	Carpet assembly—front—RH—Black	AHA6650		1			
21	Carpet assembly—front—RH—Hazelnut	AHA6651		1			
22	Carpet assembly—front—RH—Blue	AHA6652		1			
23	Carpet assembly—front—LH—Cardinal	AHA6653		1			
24	Carpet assembly—front—LH—Black	AHA6654		1			
25	Carpet assembly—front—LH—Hazelnut	AHA6655		1			
26	Carpet assembly—front—LH—Blue	AHA6656		1			
27	Fastener—carpet	2H8445	49	8			
28	Ring—fastener to carpet	2H6136	50	8			
29	Carpet assembly—rear floor—RH—Cardinal	AHA6601	51	1			
30	Carpet assembly—rear floor—RH—Black	AHA6602		1			
31	Carpet assembly—rear floor—RH—Hazelnut	AHA6603		1			
32	Carpet assembly—rear floor—RH—Blue	AHA6604		1			
33	Carpet assembly—rear floor—LH—Cardinal	AHA6605	52	1			
34	Carpet assembly—rear floor—LH—Black	AHA6606		1			
35	Carpet assembly—rear floor—LH—Hazelnut	AHA6607		1			
36	Carpet assembly—rear floor—LH—Blue	AHA6608		1			
37	Carpet assembly—rear centre—Black	AHA6626	53	1			
38	Carpet assembly—rear centre—Hazelnut	AHA6627		1			
39	Carpet assembly—rear centre—Blue	AHA6628		1			
40	Fastener—carpet	2H8445	54	6			
41	Ring—fastener to carpet	2H6136	55	6			

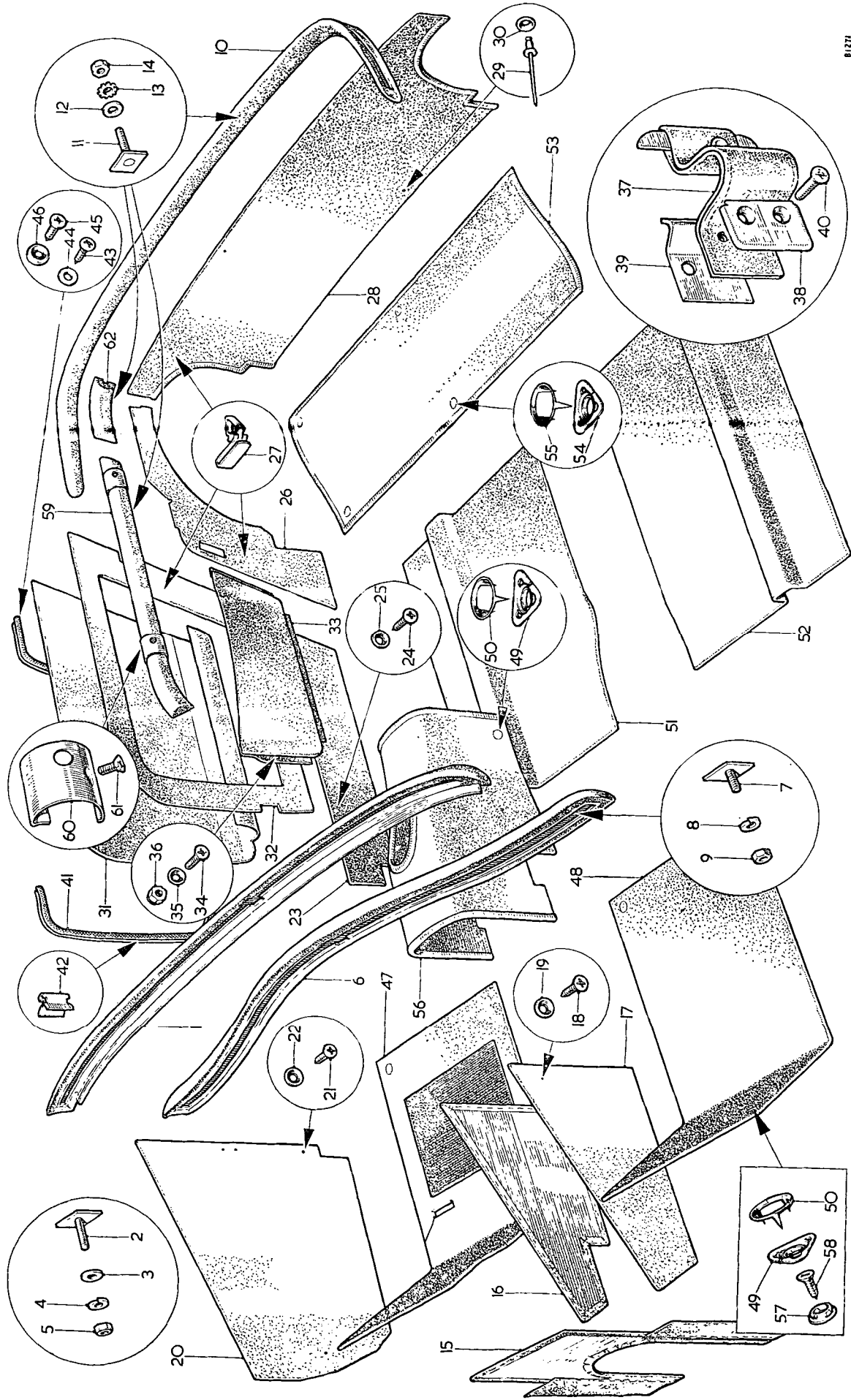
**SERVICE PARTS LIST**

**THE M.G. MIDGET**

Item No.	DESCRIPTION	Commencing (C) 16184		Qty. per Veh.	MODIFICATIONS		REMARKS
		Part Number	Illus. No.		New Part Number	Change Point	
1	Trim—continued						
2	Carpet assembly—tunnel—front—Cardinal	AHA6617	56	1			
3	Carpet assembly—tunnel—front—Black	AHA6618		1			
4	Carpet assembly—tunnel—front—Hazelnut	AHA6619		1			
5	Carpet assembly—tunnel—front—Blue	AHA6620	49	4			
6	Fastener—carpet	2H8445	50	4			
7	Ring—fastener to carpet	2H6136		1			
8	Carpet—main beam—RH	NSP		1			
9	Carpet—main beam—LH	NSP		1			
10	Carpet—centre cross-member—RH	NSP		1			
11	Carpet—centre cross-member—LH	NSP		1			
12	Carpet—rear wheel arch—RH	NSP		1			
13	Carpet—rear wheel arch—LH	NSP		1			
14	Carpet—rear compartment side—RH	NSP		1			
15	Carpet—rear compartment side—LH	NSP		1			
16	Carpet—rear compartment flange	NSP		1			
17	Carpet—tunnel—rear	NSP		1			
18	Carpet assembly—heel board	ADBA411	57	18			
19	Fastener—floor	CTZ604	58	18			
	Screw—fastener to floor						Use bulk material
20	<b>BULK MATERIAL—TRIM</b>						
21	Leathercloth—50" wide—2-way stretch—Red	AHA6890		A/R			
22	Leathercloth—50" wide—2-way stretch—Black	AHA6891		A/R			
23	Leathercloth—50" wide—2-way stretch—Blue	AHA6893		A/R			
24	Leathercloth—50" wide—2-way stretch—Hazelnut	AHA6892		A/R			
25	Leathercloth—50" wide—Red	AHA6984		A/R			
26	Leathercloth—50" wide—Black	AHA6895		A/R			
27	Leathercloth—50" wide—Blue	AHA6897		A/R			
28	Leathercloth—50" wide—Hazelnut	AHA6896		A/R			
29	Carpet—Cardinal	AHA6903		A/R			
30	Carpet—Black	AHA6904		A/R			
31	Carpet—Hazelnut	AHA6905		A/R			
	Carpet—Blue	AHA6906		A/R			



A1271



8.1271

**SERVICE PARTS LIST**

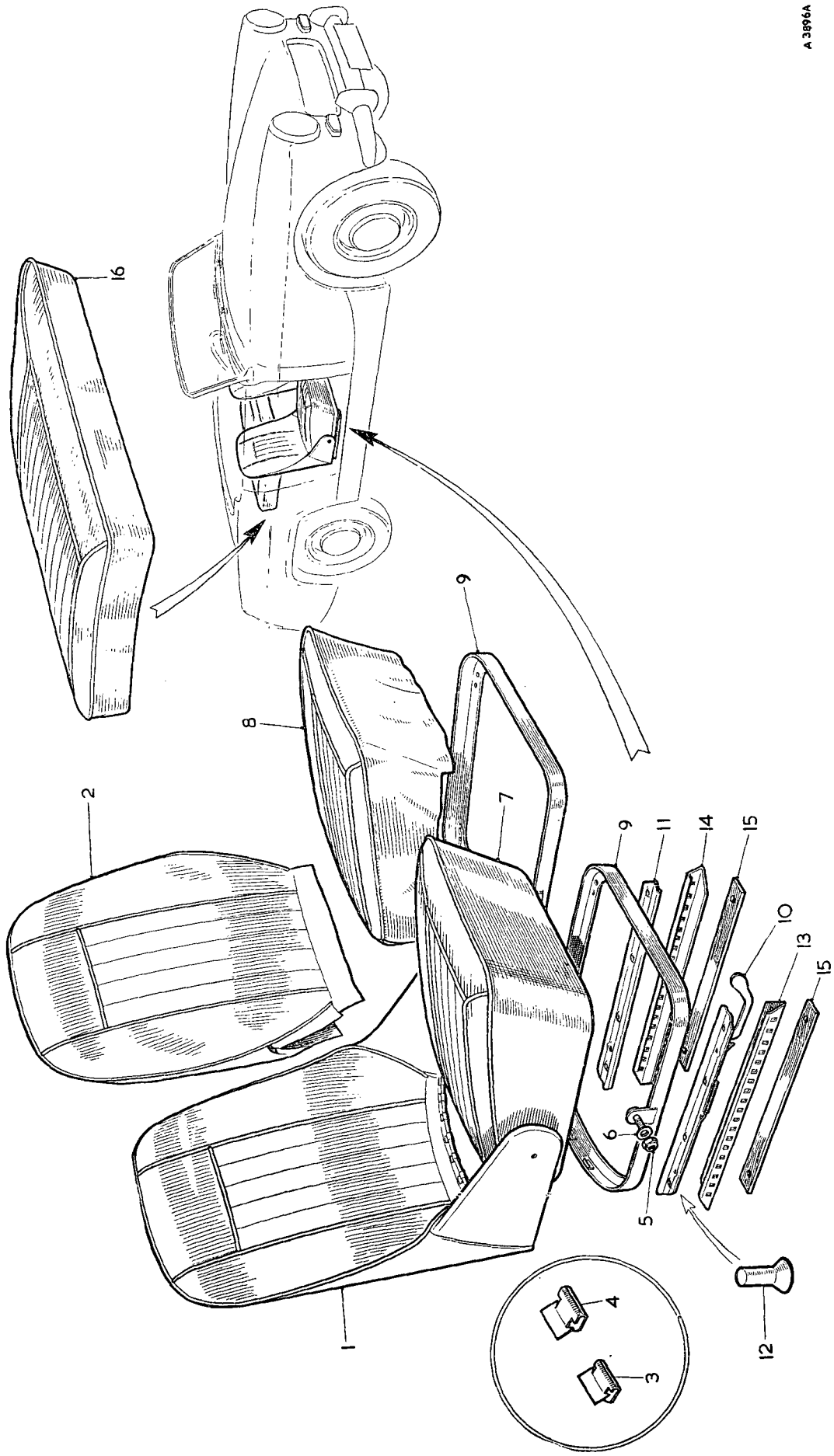
**THE M.G. MIDGET**

Item No.	DESCRIPTION	Commencing (C) 16184		Qty. per Veh.	MODIFICATIONS		REMARKS
		Part Number	Illus. No.		New Part Number	Change Point	
1	Finisher—door top—RH	AHA6490	59	1			
2	Finisher—door top—LH	AHA6491	59	1			
3	Capping—finisher—RH	AHA6499	60	2			
4	Capping—finisher—LH	AHA6500	61	4			
5	Screw—capping to finisher	AHA6933	11	6			
6	Stud plate—finisher to door top	AHH6417	13	6			
7	Washer—shakeproof—stud plate	LWZ503	14	6			
8	Nut—stud plate	FNZ103	14	6			
9	Finisher—cockpit rear—RH	AHA6487	62	1			
10	Finisher—cockpit rear—LH	AHA6488	11	1			
11	Stud—plate—finisher to cockpit rear	AHH6417	11	4			
12	Washer—plain—stud plate	PWZ203	12	4			
13	Washer—shakeproof—stud plate	LWZ503	13	4			
14	Nut—stud plate	FNZ103	14	4			

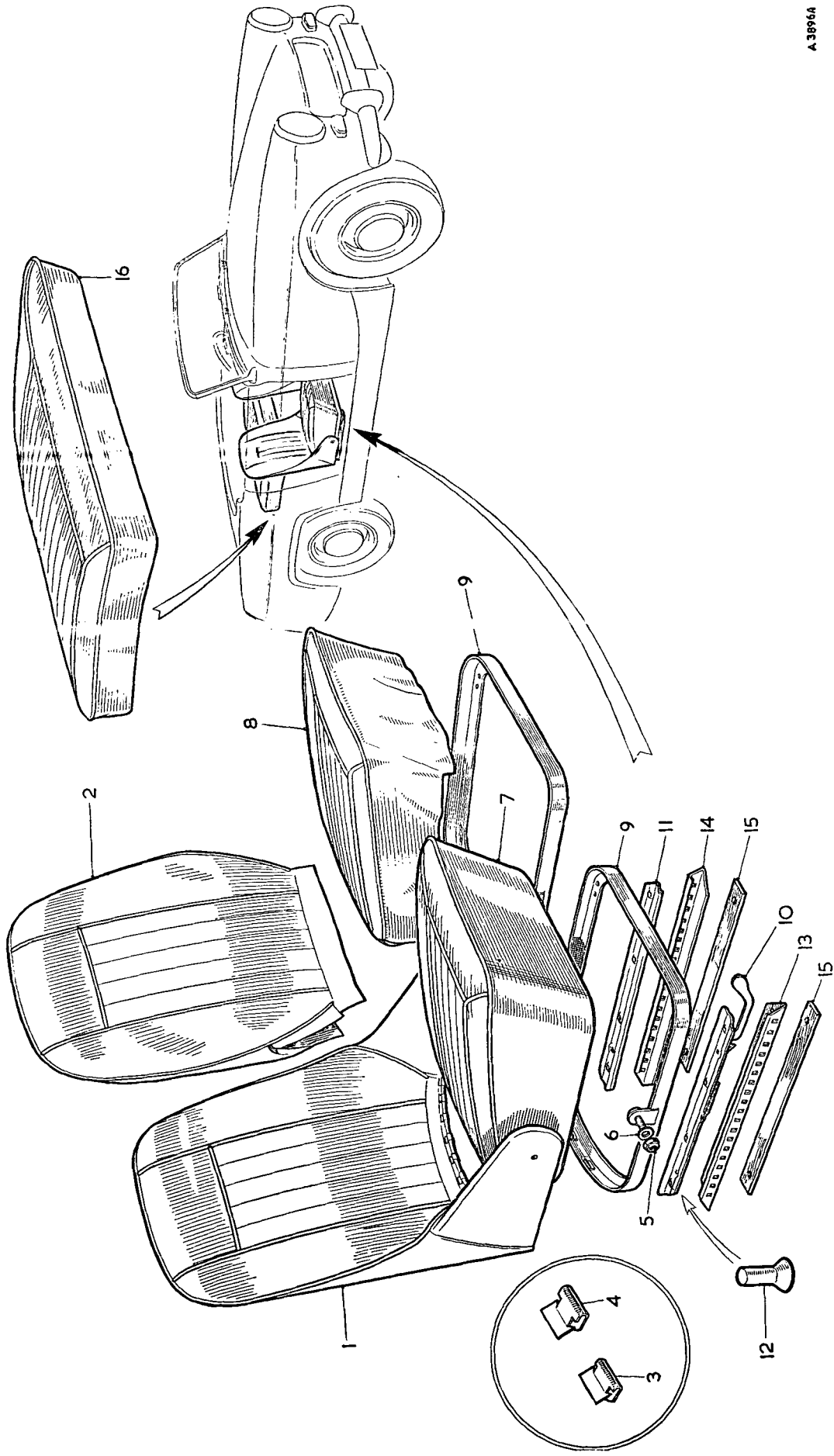
**SERVICE PARTS LIST**

**THE M.G. MIDGET**

Item No.	DESCRIPTION	Commencing (C) GAN1/101		Qty. per Veh.	New Part Number	MODIFICATIONS		REMARKS
		Part Number	Illus. No.			Change Point		
1	<b>SEATS AND FITTINGS</b> <b>Squab assembly—Black with Red piping and carpet—Red/Black with Red Fleck</b>	<b>AHA6081</b>	<b>1</b>	<b>2</b>		<b>Fin. (C) 10741</b>		
2	Squab assembly—Black with Red piping and carpet—Red/Black 50/50 blend			2	AH 16387	Com. (C) 10742 Fin. (C) 16183		
3	Squab assembly—Black with White piping and carpet—Black with Off White Fleck	AHA6084		2		Fin. (C) 10183		
4	Squab assembly—Red with Black piping and carpet—Red with Black Fleck	AHA6080		2		Fin. (C) 10741		
5	Squab assembly—Red with Black piping and carpet—Black with Red Fleck	AHA6258		2				
6	Squab assembly—Red with Black piping and carpet—Red/Black 50/50 blend			2	AH 16386	Com. (C) 10742 Fin. (C) 16183		
7	Squab assembly—Red with White piping and carpet—Red with Black Fleck	AHA6083		2		Fin. (C) 10183		
8	Squab assembly—Red with White piping and carpet—Red with Off White Fleck	AHA6304		2				
9	Squab assembly—Dark Blue with Pale Blue piping and carpet—Dark Blue with Black Fleck	AHA6082		2				
10	Squab assembly—Green with Green piping and carpet—Black with Off White Fleck	AKE4737		2				
11	<b>Cover assembly—squab—Black with Red piping and carpet—Black with Red Fleck</b>	<b>AKE3065</b>	<b>2</b>	<b>2</b>		<b>Fin. (C) 10741</b>		
12	Cover assembly—squab—Black with Red piping and carpet—Red/Black 50/50 blend			2	AKE4408	Com. (C) 10742 Fin. (C) 16183		
13	Cover assembly—squab—Black with White piping and carpet—Black with Off White Fleck	AKE3068		2		Fin. (C) 10183		
14	Cover assembly—squab—Red with Black piping and carpet—Red with Black Fleck	AKE3064		2		Fin. (C) 10741		
15	Cover assembly—squab—Red with Black piping and carpet—Black with Red Fleck	AKE3182		2				
16	Cover assembly—squab—Red with Black piping and carpet—Red/Black 50/50 blend			2	AKE4407	Com. (C) 10742 Fin. (C) 16183		
17	Cover assembly—squab—Red with White piping and carpet—Red with Black Fleck	AKE3067		2		Fin. (C) 10183		
18	Cover assembly—squab—Red with White piping and carpet—Red with Off White Fleck	AKE3242		2				







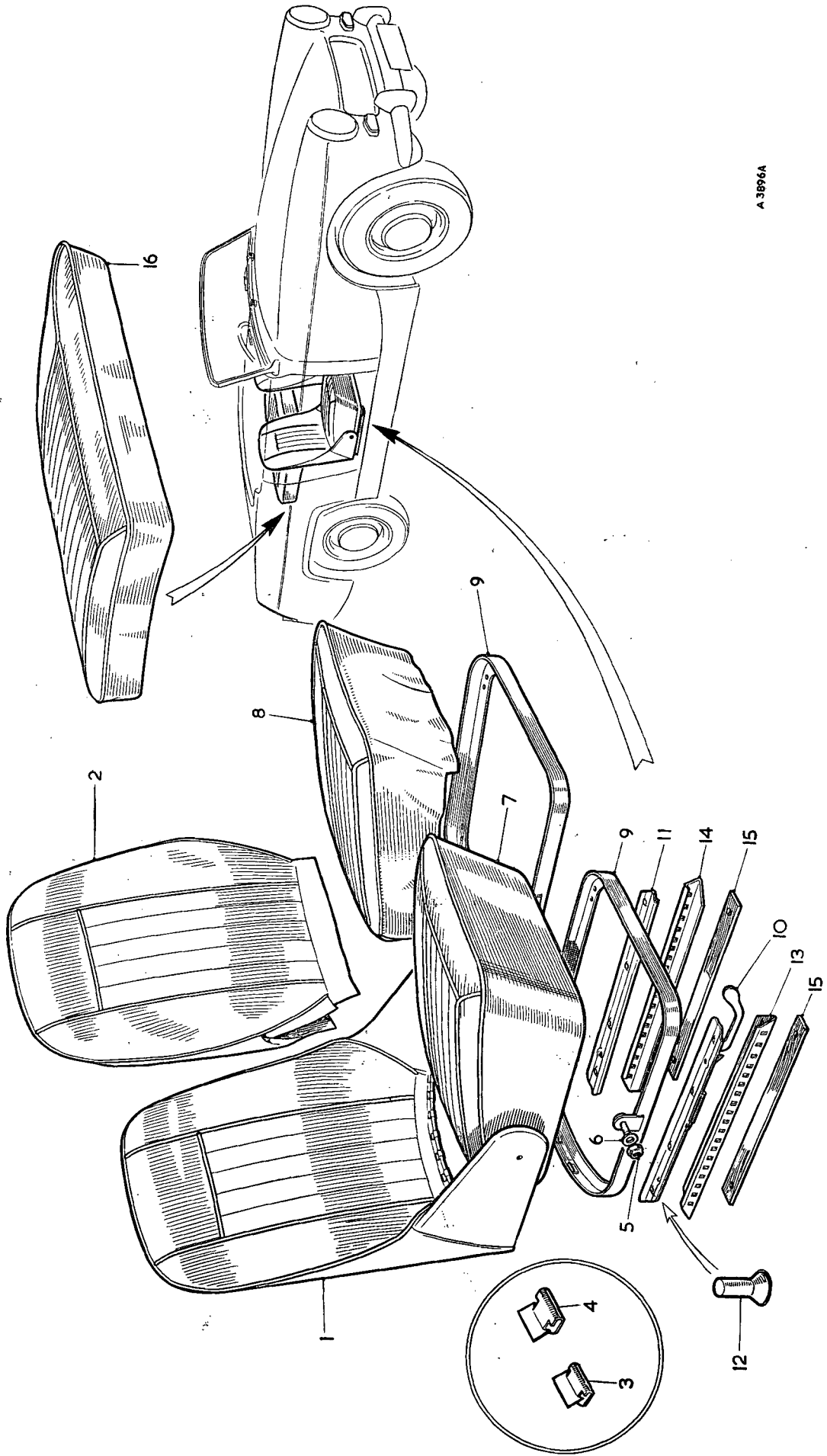
A.3896A



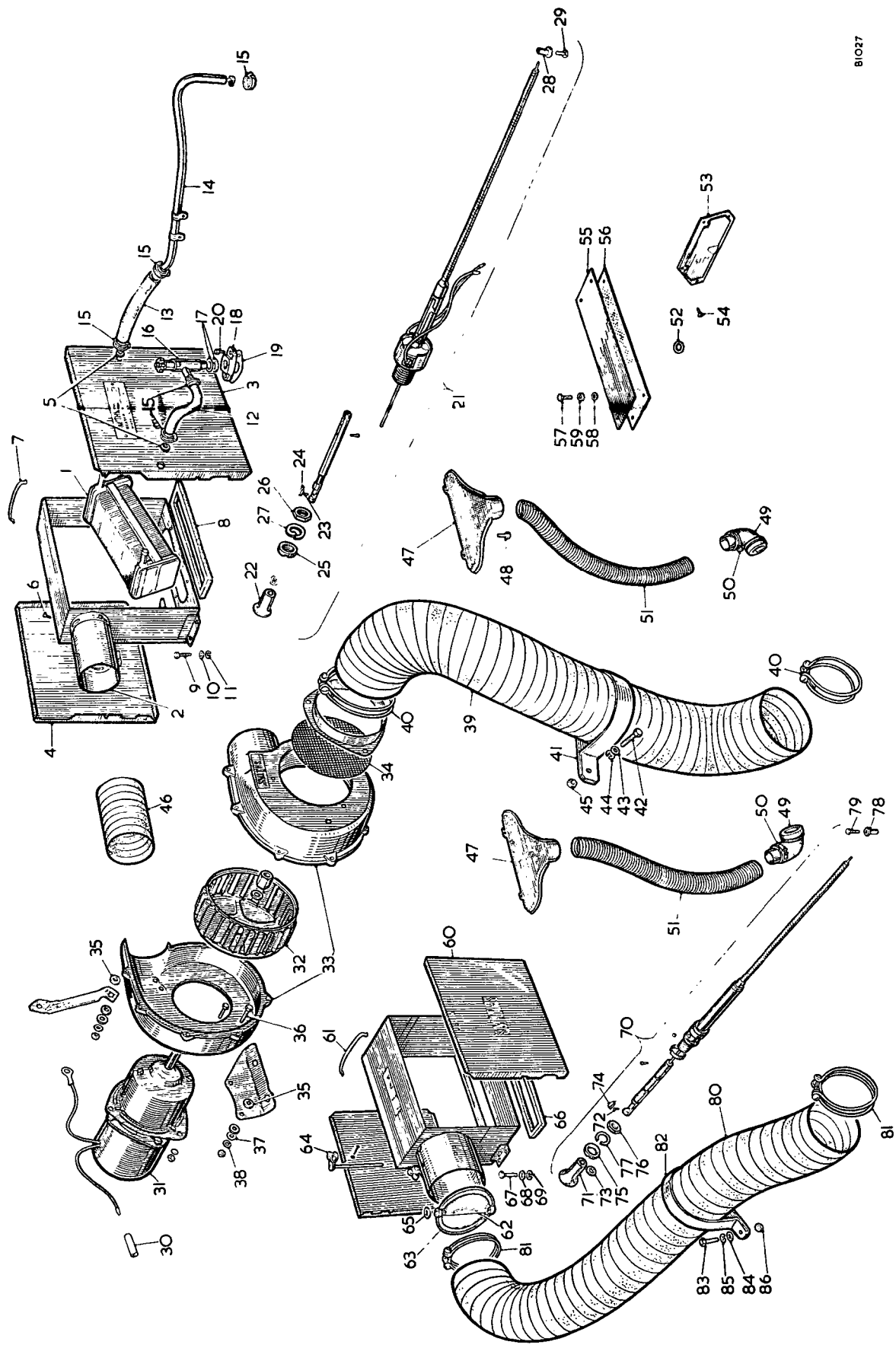
SERVICE PARTS LIST

THE M.G. MIDGET

Item No.	DESCRIPTION	Commencing (C) GANI/101		Qty. Per Veh.	MODIFICATIONS		REMARKS
		Part Number	Illus. No.		New Part Number	Change Point	
1	Seats and Fittings—continued						
2	Frame assembly—seat base	14A4778	9	4			
3	Runner and handle—seat—RH—top	14A5519	10	1			
4	Runner and handle—seat—LH—top	14A5520		1			
5	Runner less handle—seat—top	46877	11	2			
6	Rivet—top runner to seat	CRS0410	12	8			
7	Runner—seat—RH—bottom	AHA5499	13	2			
8	Runner—seat—LH—bottom	AHA5500	14	2			
9	Packing—bottom runner	AHA5223	15	4			
10	Screw—bottom runner to floor (1½" [38.57 mm.])	HZS0409		8			
11	Washer—plain—screw	PWZ104		8			
12	Washer—spring—screw	LWZ204		8			
13	Cushion assembly—rear compartment—Black with Red piping	AHA6009	16	1			
14	Cushion assembly—rear compartment—Black with White piping	AHA6178		1			
15	Cushion assembly—rear compartment—Red with Black piping	AHA6008		1			
16	Cushion assembly—rear compartment—Red with White piping	AHA6177		1			
17	Cushion assembly—rear compartment—Dark Blue with Pale Blue piping	AHA6010		1			
18	Cushion assembly—rear compartment—Green with Green piping	AKE4733		1			
19	Cushion assembly—rear compartment—Red	AHA6886		1			
20	Cushion assembly—rear compartment—Black	AHA6887		1			
21	Cushion assembly—rear compartment—Blue	AHA6889		1			
22	Cushion assembly—rear compartment—Hazelnut	LPE116		2			
23	Peg—fastener—rear compartment cushion	RTP003		4			
24	Screw—peg to floor	PTZ806		4			
	Screw—cushion to floor			4			



A 3896A



81027

**SERVICE PARTS LIST**

**THE M.G. MIDGET**

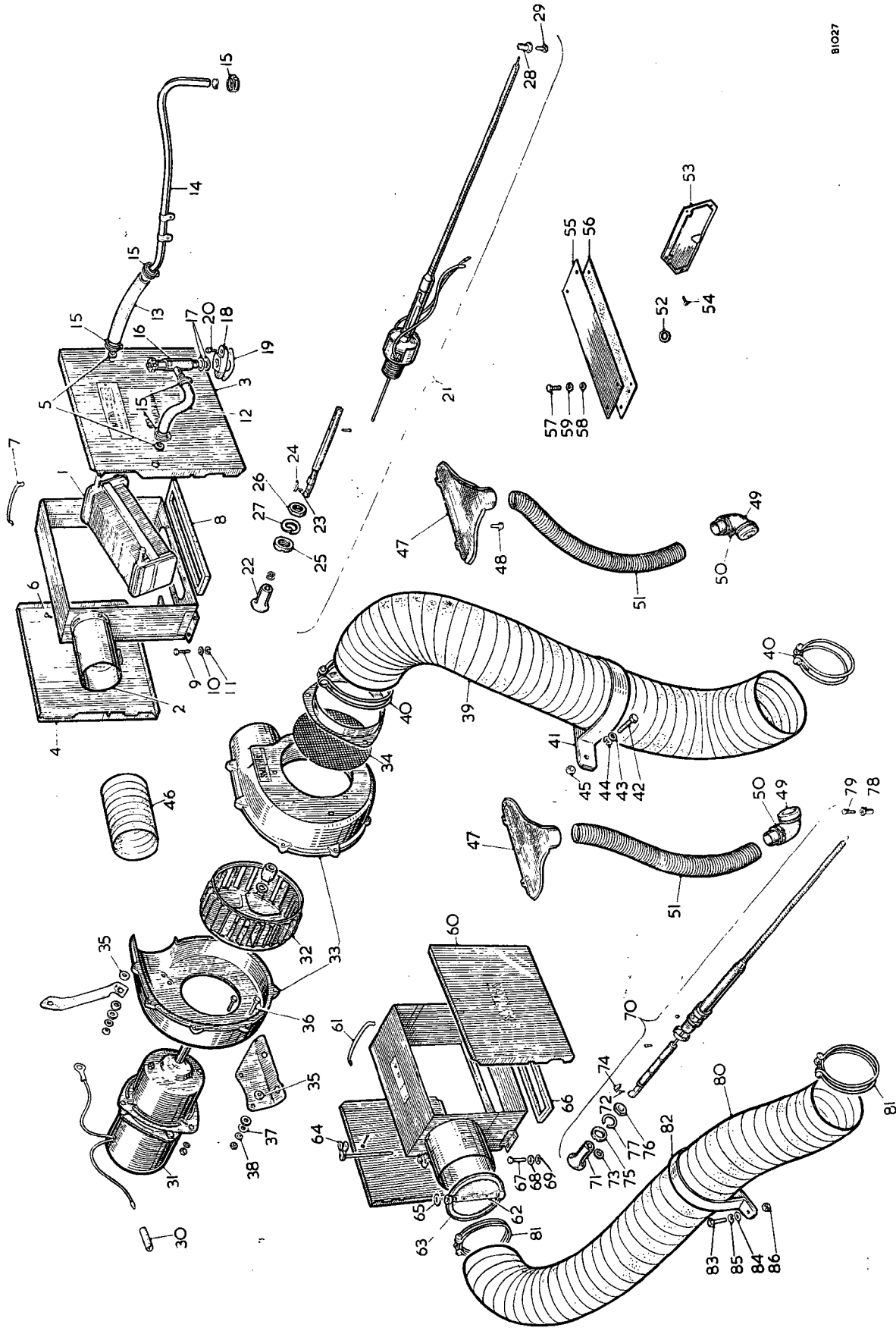
Item No.	DESCRIPTION	Commencing (C) GANI/101		Qty. per Veh.	MODIFICATIONS		REMARKS
		Part Number	Illus. No.		New Part Number	Change Point	
<b>HEATER AND VENTILATING EQUIPMENT</b>							
(Optional Extra)							
1	Heater kit	8G9083		1			
2	Heater kit	8G9100		1			
3	Heater unit assembly	13H54		1			
4	Radiator and seals	17H1590	1	1			
5	Tube—inlet	17H1592	2	1			
6	Plate—front	17H1594	3	1			
7	Plate—rear	17H1596	4	1			
8	Grommet	17H1591	5	2			
9	Screw	17H1593	6	3			
10	Clip	17H1595	7	10			
11	Seal—heater base	4B9713	8	1			
12	Screw—heater to platform	PMZ0408	9	4			
13	Washer—plain—screw	PWZ204	10	4			
14	Washer—spring—screw	LWZ204	11	4			
15	Hose—heater to control tap	AHA5213	12	1			
16	Hose—water outlet	37H597	13	A/R			
17	Pipe—water outlet hose to radiator hose	AHA5214	14	1			Available in multiples of feet
18	Cutter—hose	NSP		1			
19	Connector—hose	NSP		1			
20	Hose—radiator hose to water outlet pipe	NSP		1			
21	Clip—hose	NSP		1			
22	Tap—water control	8G581	15	6			
23	Washer—tap	AGA5455	16	1			
24	Adaptor—control tap to cylinder head	2K5629	17	2			
25	Joint—adaptor to cylinder head	ACA5456	18	1			
26	Screw—adaptor to cylinder head	AHH5433	19	1			
27	Switch assembly—heater	HZ50406	20	2			
28	Switch assembly—heater	BHA4205	21	1			
29	Knob	BHA4245	22	1			
30	Pin—knob	17H1602	23	1			
31	Clip—knob	17H1608	24	1			
32	Locknut	17H1601	25	1			
33	Locknut—thin	17H823	26	1			
34	Washer—spring	17H824	27	1			
35	Trunion—control cable	17H825	28	1			
36	Screw—trunion	24G1482	29	1			
37	Connector—snap—switch to blower	53K1016	30	1			
		2H3406	30	1			Part No. change; was 17H1684

**SERVICE PARTS LIST**

**THE M.G. MIDGET**

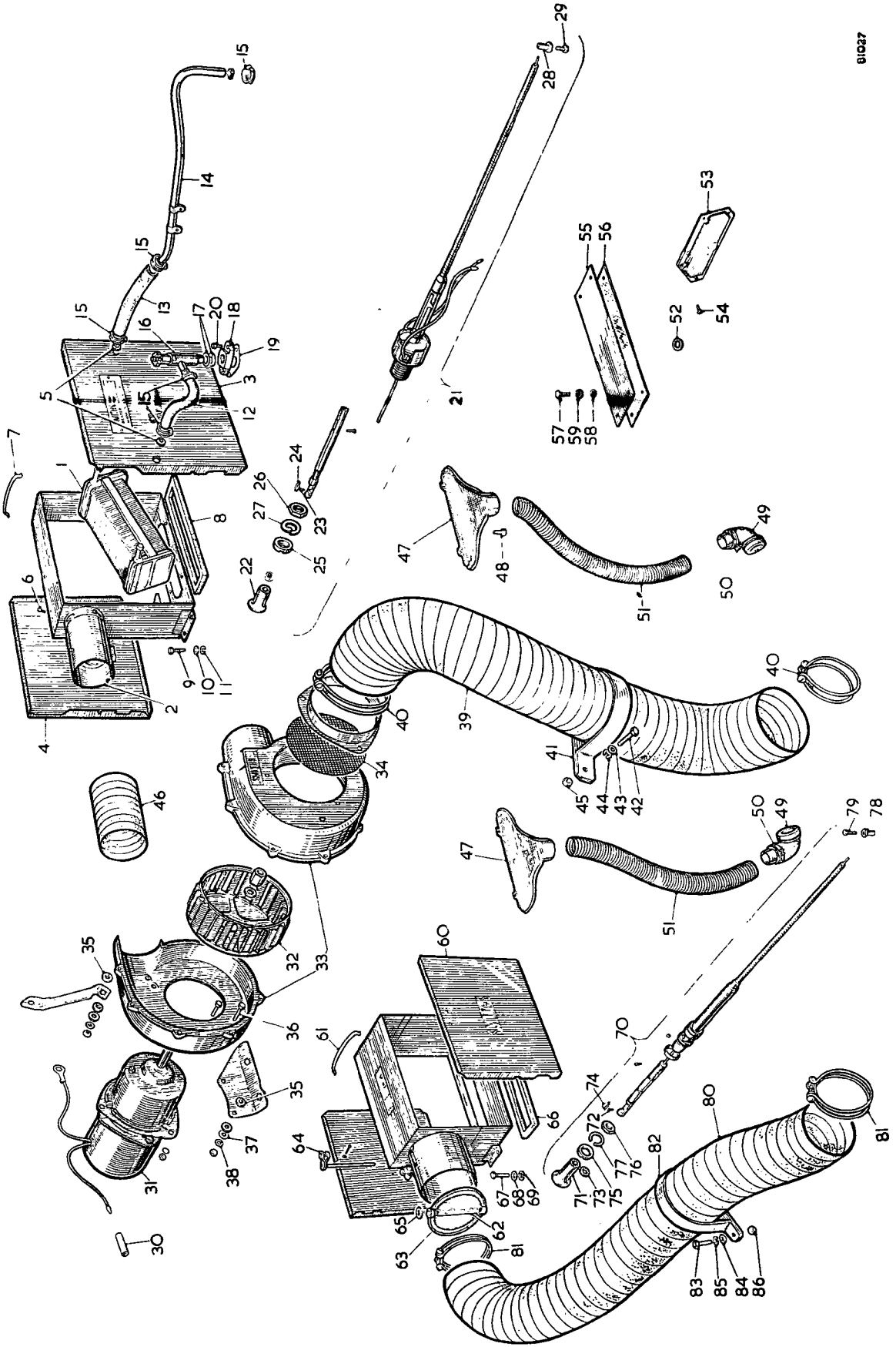
Item No.	DESCRIPTION	Commencing (C) GANI/JOI		Qty. per Veh.	MODIFICATIONS		REMARKS
		Part Number	Illus. No		New Part Number	Change Point	
1	Heater and Ventilating Equipment—continued						
2	Blower assembly	13H51	1	1			
3	Motor	17H1455	31	1			
4	Rotor	17H1574	32	1			
5	Casing	17H819	33	1			
6	Mesh—intake	17H1597	34	1			
7	Grommet	24K2085	35	3			
8	Screw—blower assembly to RH footwell top	PMZ0408	36	3			
9	Washer—plain—screw	PWZ204	37	3			
10	Washer—spring—screw	LWZ204	38	3			
11	Hose—blower to inlet	13H58	39	1			
12	Clip—hose to blower and inlet	HCS168	40	2			
13	Clip—hose to wheel arch	AHH5714	41	1			
14	Screw—clip to wheel arch	PMZ0310	42	1			
15	Washer—plain—screw	PWZ103	43	1			
16	Washer—spring—screw	LWZ203	44	1			
17	Nut—screw	FNZ103	45	1			
18	Hose—heater to blower	14A4762	46	1	AHΛ6429	Com. (C) 11750	
19	Nozzle assembly—demister	14A1162	47	2			
20	Screw—nozzle to scuttle	PTP603	48	4			
21	Elbow—demister	14G3499	49	2			
22	Clip—elbow to hose	27H168	50	2			
23	Hose—demister	14A4766	51	2			
24	Shim—control tap adjustment (.028" [.70 mm.])	ACA5172	52	A/R			
25	Shim—control tap adjustment (.014" [.35 mm.])	ACA5173	53	A/R			
26	Door assembly—heater outlet	13H59	54	2			
27	Screw—outlet door to footwell side	PTZ603	54	8			
28	Plate—blanking—heater platform	14A4790	55	1			
29	Sealer—blanking plate	14A4791	56	1			
30	Screw—blanking plate to heater platform	PMZ0408	57	4			
31	Washer—plain—screw	PWZ204	58	4			
	Washer—spring—screw	LWZ204	59	4			

Not required when heater or fresh-air unit is fitted



81027





81037

**SERVICE PARTS LIST**

**THE M.G. MIDGET**

Item No.	DESCRIPTION	Commencing (C) GANI/101		Qty. per Veh.	MODIFICATIONS		REMARKS
		Part Number	Illus. No.		New Part Number	Change Point	
1	Heater and Ventilating Equipment—continued						
2	Fresh-air unit kit	<b>RHD</b>		1			
3	Fresh-air unit kit	<b>LHD</b>		1			
4	Fresh-air unit assembly			1			
5	Cover—side		60	1			
6	Clip		61	4			
7	Plate—valve flap		62	1			
8	Grommet—sealing		63	1			
9	Arm and spindle—lever		64	1			
10	Washer		65	2			
11	Seal—fresh-air unit base		66	1			
12	Screw—fresh-air unit to platform		67	4			
13	Washer—plain—screw		68	4			
14	Washer—spring—screw		69	4			
15	Control assembly—push-pull	<b>RHD</b>	<b>70</b>	1			
16	Control assembly—push-pull	<b>LHD</b>		1			
17	Knob		71	1			Part No. change; was 17H1612
18	Pin—knob		72	1			
19	Washer (rubber)		73	1			
20	Clip—knob		74	1			
21	Locknut		75	1			
22	Locknut—thin		76	1			
23	Washer—spring		77	1			
24	Trunnion—control cable		78	1			
25	Screw—trunnion		79	1			
26	Hose—fresh-air unit to inlet		80	1			
27	Clip—hose to fresh-air unit and inlet		81	2			
28	Clip—hose to wheel arch		82	1			
29	Screw—clip to wheel arch		83	1			
30	Washer—plain—screw		84	1			
31	Washer—spring—screw		85	1			
	Nut—screw		86	1			

**SERVICE PARTS LIST**

**THE M.G. MIDGET**

Item No.	DESCRIPTION	Commencing (C) GANI/101		Qty. per Veh.	MODIFICATIONS		REMARKS
		Part Number	Illus. No.		New Part Number	Change Point	
1	Mirror—interior	14A5473	1	1			
2	Head—assembly	47H9579	2	1			
3	Glass	27H9782	3	1			
4	Bracket—mounting	27H9781	4	1			
5	Screw—mirror to scuttle top	RMP0808	5	2			
6	Mirror—wing	NSP	6	1			
7	Head assembly	14A8196	6	1			Part No. change; was 37H9914
8	Nut—dome	14A8226	7	1			Part No. change; was 37H9786
9	Stem assembly	37H9915	8	1			37H9917 not available; use 14A8225
10	Washer (rubber)	37H9917	9	1	14	18225	Part No. change; was 37H9916
11	Washer (steel)	PWZ205	10	1			Part No. change; was 37H9788
12	Bolt	HZS0506	11	1			
13	Mirror—wing (boomerang type)	27H9863	12	2			
14	Head assembly	37H9947	13	2			
15	Nut—dome	37H9867	14	2			
16	Washer—shakeproof	37H9968	15	2			
17	Collar	47H9510	16	2			
18	Arm assembly	37H9946	17	2			
19	Ferrule (rubber)	37H9974	18	2			
20	Nut	37H9970	19	2			
21	Washer (rubber)	37H9971	20	2			
22	Washer—shakeproof	37H9972	21	2			
23	Washer—plain	37H9973	22	1			
24	Lighter—cigar	AHH5759	23	1			
25	Holder—licence	14A3823	24	1			
26	Luggage grid kit	PMP0516	25	4			
27	Screw—luggage grid to boot lid	PWZ105	26	4			
28	Washer—plain—screw	LNZ205	27	4			
29	Nut—screw		27	4			

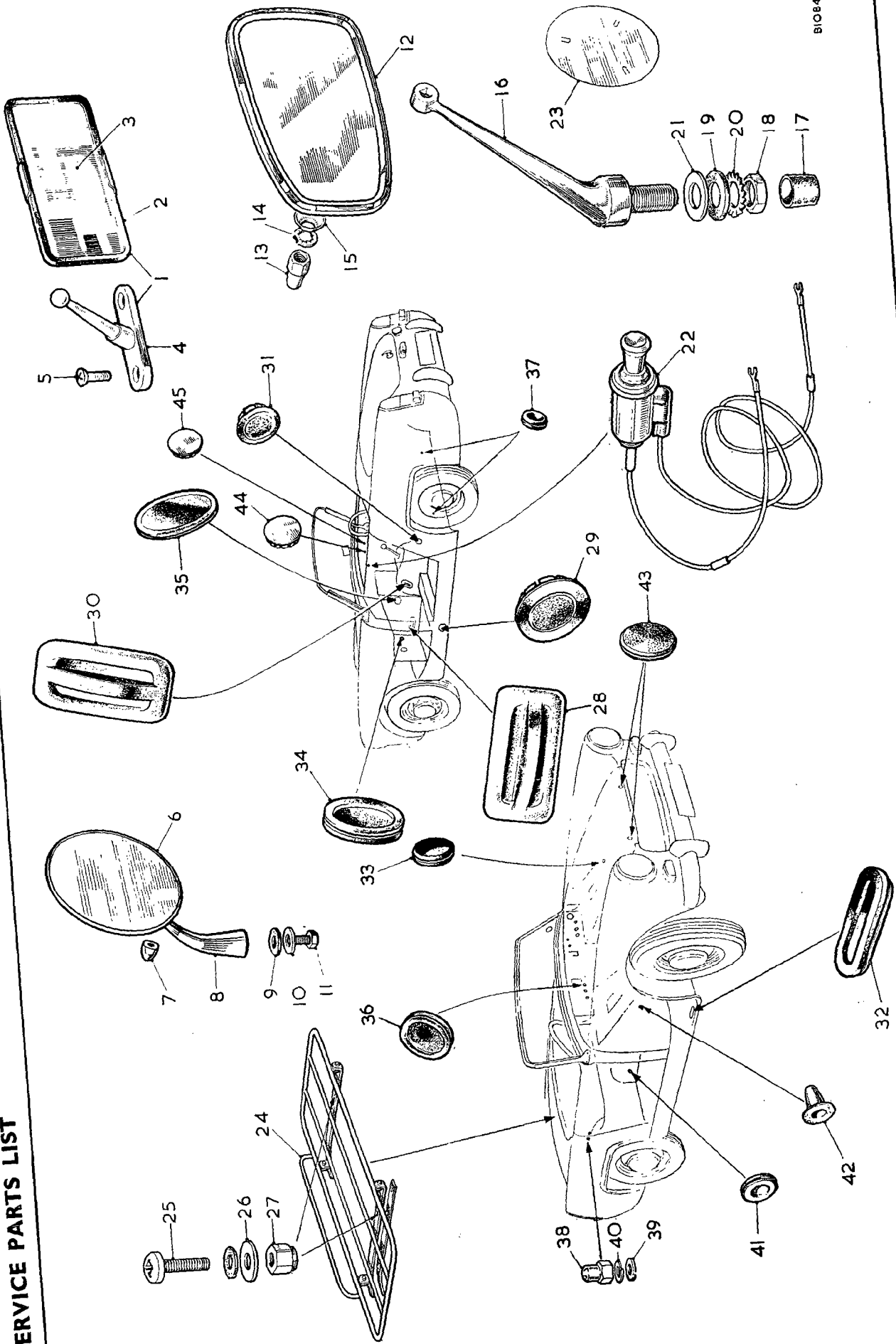
**SUNDRIES**

Optional extra

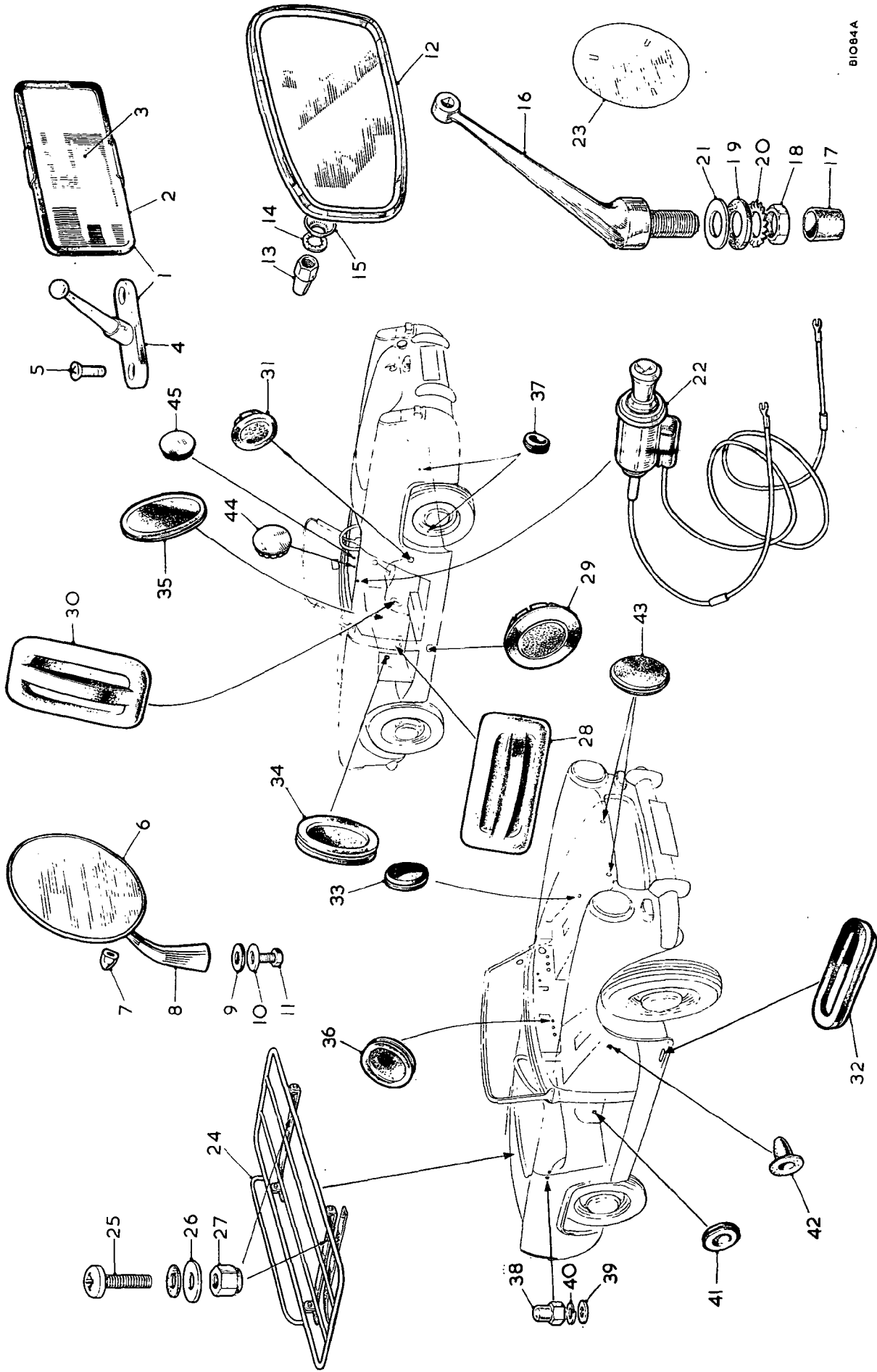
Prior to (C) 3548 boot lid buffer AHA6213 front and AHA6207 rear and hinges AHA6314/5 must be fitted

PLATE RP

SERVICE PARTS LIST



B1084A



B1064A

**SERVICE PARTS LIST**

**THE M.G. MIDGET**

Item No.	DESCRIPTION	Commencing (C) GAN1/101		Qty. per Veh.	MODIFICATIONS		REMARKS
		Part Number	Illus. No.		New Part Number	Change Point	
1	Sundries—continued						
2	Plug—foe-box side—RH	4C4920	28	1	AHA6206	Com. (C) 6644	
3	Plug—sill outer panel	2H8198	29	2			
4	Plug—gearbox filler hole	4C4920	30	1			
5	Plug—propeller shaft oiling hole	4C1851	31	1			
6	Plug—blanking—sliding hole in floor	4C6957	32	2			
7	Plug—blanking—footwell	RFN210	33	1			
8	Plug—blanking—steering-column hole	AHA5437	34	1			
9	Plug—blanking—demister outlet hole	4C9763	35	2			
10	Plug—blanking—heater control	4C2541	36	1			To be pierced when heater is fitted
11	Plug—blanking—tool hole in rear cross-member panel	RFN206	37	2			
12	Nut—dome—safety strap weld bolt on rear wheel arch	14B2685	38	4			
13	Washer—plain	PWZ105	39	4			
14	Washer—spring	LWZ205	40	4			
15	Plug—blanking—safety strap hole in tunnel	RFN207	41	2			
16	Plug—blanking—footwell side panel	ADA2493	42	2			
17	Plug—blanking—access hole to radiator top mounting bolt in mud-shield	RFN216	43	2			
18	Button—blanking—ignition switch hole	BHA4251	44	1			
	Button—blanking—starter control hole	BHA4275	45	1			For use when steering lock is fitted

**SERVICE PARTS LIST**

**THE M.G. MIDGET**

Item No.	DESCRIPTION	Commencing (C) GANI/101		Qty. per Veh.	MODIFICATIONS		REMARKS
		Part Number	Illus. No.		New Part Number	Change Point	
	<b><u>TOOLS</u></b>						
1	Bag—tool	AHA5506		1			
2	Jack	2A5472		1			
3	Spanner—ratchet—jack	2A5627		1			
4	Brace—wheel	2A5626		1			
5	Lever—hub cap removal	ACA5482		1			
6	Spanner—box—sparking plug	1B8995		1			
7	Tommy-bar—box spanner	ACA5216		1			
	<b><u>PAINT</u></b>						
8	Tartan Red (Code RD.9)						
9	Clipper Blue (Code BU.14)						
10	Ice Blue (Code BU.18)						
11	Farina Grey (Code GR.11)						
12	Dove Grey (Code GR.26)						
13	Black (Code BK.1)						
14	Old English White (Code WT.8)						
15	Almond Green (Code GN.37)						
16	British Racing Green (Code GN.25)						
						Fin. (C) 2853 Com. (C) 2854 Fin. (C) 2755 Com. (C) 2756	Refer to B.M.C. Service Paint Scheme Book
						Com. (C) 16184	

PRINTED IN ENGLAND BY  
THE NUFFIELD PRESS LIMITED  
COWLEY, OXFORD  
27/1 (47188) 12/62 —5,225