

# Flying Spares

**1965 - 1980**

Rolls-Royce Silver Shadow I & II  
Bentley T1 & T2  
& all Coachbuilt derivatives

**PARTS LIST**

**Tel : 01455 292949**  
**[www.flyingspares.com](http://www.flyingspares.com)**

## Thank you for taking the time to order this parts list

It has been designed to act as an introduction to Flying Spares and to be used as a quick reference guide. We do, however, recommend that you use our website as your primary reference source because it is constantly being updated and contains a greater choice of parts, more exploded diagrams, more in-depth information as well as instruction sheets, videos and prices.

We always use the RR/ Bentley part number as the means of identifying a part.

In this edition you will only see the original part number listed. Once you have identified the part you require please speak to us or check our website to confirm whether we stock the Genuine, Aftermarket, Reconditioned or Recycled version of the part and to obtain the relevant prices.

We identify each part as follows:

**New Genuine Parts** - Identified by their genuine part number (e.g UR73278)

- Over 190,000 genuine parts on our database
- World's largest stock of genuine parts outside of the factories & franchised dealer network
- Constant monitoring of customer demand to ensure maximum availability
- Long-term investment policy to ensure future supply of parts
- Recent purchase of large quantity of genuine RR panels
- We are always looking to purchase stocks of obsolete parts

**New Aftermarket Parts** - Identified by a P (Pattern) at the end of the genuine part number (e.g UR73278P)

- Over 8,000 aftermarket parts in our inventory
- An invaluable alternative to expensive or NLA (No longer available) genuine parts
- All Safety Critical parts manufactured in UK & Europe
- Many OE parts sourced direct from manufacturer
- We follow a rigorous testing and quality procedure, from obtaining the original working drawings to final fit & function and material checks.
- Modern materials & manufacturing techniques often allow us to improve on the original part

**Reconditioned Parts** - Identified by SXR (Service Exchange Reconditioned) at the end of the genuine part number (e.g UR73278SXR)

Its core unit surcharge will be denoted by "SXS" at the end of the part number.

An original part, authentic to the car, that has been professionally reconditioned and tested either inhouse or by a specialist company. This is often the best and only option where a new part is no longer available or is prohibitively expensive.

- Over 1000 reconditioned parts listed in our inventory.
- We will buy old core parts – please contact us if you have any

**Recycled Parts** - Identified by a U (Used) at the end of the genuine part number (e.g UR73278U)

The dismantling (parting out) of cars continues to provide us with an invaluable source of hard to find and expensive parts, as well as core units for our reconditioning stock.

Once a car arrives on site we will try to get it running if we can. We then carry out a full test and report to establish the overall condition of the vehicle, as well as testing as many of the mechanical & electrical components as possible.

If we think that the car is salvageable we will offer it for sale and provide any prospective new owner with the findings of our report. If it is deemed that the car is too badly damaged or beyond economical repair it joins the queue of cars to be recycled.

Once parts are removed from a car they are identified, cleaned and tested and added to our ever-growing inventory. Full details of the cars we are currently recycling and those we have for sale can be found on our website.

# INDEX

	PAGE
INTRODUCTION	1
INDEX	2
GUIDE TO CHASSIS / VEHICLE IDENTITY NUMBERS	3
CAPACITIES	4
AIR CONDITIONING & HEATING	5
BODY	12
BODY REPAIR PANELS	22
BRAKES	26
COOLING SYSTEM	36
ELECTRICAL	41
ENGINE	52
EXHAUSTS	65
FUEL SYSTEM	69
GEARBOX	82
LITERATURE & ACCESSORIES	89
IGNITION	90
STEERING	96
SERVICE ITEMS	113
SUSPENSION	114
TOOLS	129
TRANSMISSION & FINAL DRIVE	132
WHEELS & TYRES	136
WORKSHOP TOOLS	137
TABLE OF CONTENTS	138
HOW TO FIND US	140

ALL DIAGRAMS REPRODUCED WITH KIND PERMISSION OF BENTLEY MOTORS LIMITED  
- COPYRIGHT OF BENTLEY MOTORS LIMITED

# CHASSIS NUMBERS

We have included an explanation of the meaning of your chassis number.

The first letter denotes the body type :

<b>S</b>	Standard saloon
<b>L</b>	Long wheelbase saloon
<b>C</b>	Two door saloon
<b>D</b>	Two door drophead (early drophead cars before VIN 6646 carried a C prefix)
<b>P</b>	Phantom VI
<b>J</b>	Camargue

The second letter differentiates between Rolls-Royce and Bentley :

<b>R</b>	Rolls-Royce
<b>B</b>	Bentley

The third letter denotes right or left hand drive and also breaks down the American models into years:

<b>H</b>	Right hand drive (Home market)
<b>X</b>	Left hand drive (Export market)
<b>A</b>	North America 1972 model year
<b>B</b>	North America 1973 model year
<b>C</b>	North America 1974 model year
<b>D</b>	North America 1975 model year
<b>E</b>	North America 1976 model year
<b>F</b>	North America 1977 model year
<b>G</b>	North America 1978 model year
<b>K</b>	North America 1979 model year
<b>L</b>	North America 1980 model year

Some key model changes and the approximate date & chassis number at which they were introduced :

<b>09/1965</b>	<b>1001</b>	First model produced
<b>10/1967</b>	<b>3000</b>	Saginaw power steering pump fitted
<b>04/1968</b>	<b>4108</b>	Phantom VI introduced
<b>07/1968</b>	<b>4483</b>	GM400 gearbox fitted to all cars
<b>12/1969</b>	<b>7404</b>	Front height control deleted
<b>01/1970</b>	<b>7500</b>	Air conditioning fitted as standard
<b>05/1970</b>	<b>8742</b>	6.75 litre engine introduced (denoted by SYL engine no)
		Distributors modified from twin to single point
<b>11/1970</b>	<b>9658</b>	Central door locking introduced
<b>08/1970</b>	<b>11466</b>	Long stroke front dampers introduced
<b>05/1972</b>	<b>13485</b>	Compliant front suspension introduced
<b>11/1972</b>	<b>14674</b>	Camargue introduced
<b>05/1972</b>	<b>15950</b>	Ventilated front brake discs introduced
<b>03/1974</b>	<b>18269</b>	Flared wheel arch introduced (Saloon)
<b>05/1974</b>	<b>18563</b>	Flared wheel arch introduced (Corniche)
<b>06/1975</b>	<b>22118</b>	Master cylinder deleted
		Opus electronic ignition fitted
<b>10/1976</b>	<b>26708</b>	Last Series I model
<b>11/1976</b>	<b>30001</b>	Silver Shadow II / T2 introduced
<b>07/1978</b>	<b>34573</b>	Headlamp wash/wipe introduced
<b>05/1979</b>	<b>37187</b>	Later exhaust system introduced
<b>10/1979</b>	<b>38984</b>	Later L410B engine introduced (SZ engine number)

\* An asterisk next to the chassis numbers we list means that the part changes close to this chassis number.  
Please contact us for confirmation.

## CAPACITIES

We have taken this information from the handbook of a 1974 Silver Shadow.

Fuel Tank	107 litres — 23.5 Imperial gallons.
Level	Full mark on gauge. Green warning panel (warning lamp — Corniche cars) on facia illuminates when fuel level drops to: 14 litres — 3 Imperial gallons (Prior to VIN 5001) 16 litres — 3.5 Imperial gallons (From VIN 5001)
Engine Sump	8,4 litres — 14.75 Imperial pints (when not renewing oil filter). 9,4 litres — 16.5 Imperial pints (when renewing oil filter).
Level	“MAX” mark on dipstick. For quick check ensure that the ignition is switched on but the engine is not running and then depress the fuel/oil level button and take reading on fuel/oil level gauge.
Engine Cooling System	16 litres — 28.5 Imperial pints.
Level	Bottom of filler tube. Red panel (warning lamp — Corniche cars) on facia illuminates when coolant level is low.
Torque Converter Transmission	10,6 litres — 18.75 Imperial pints — Transmission and torque converter (dry). 2,8 litres — 5 Imperial pints — When renewing fluid in sump only. 4,5 litres — 8 Imperial pints — When renewing fluid in sump and renewing intake strainer.
Level	“MAX” mark on the dipstick with car on level surface, the engine running and the torque converter trans-mission fluid at normal operating temperature, approximately 77°C. (170°F.).
Steering System Reservoir	1,7 litres — 3 Imperial pints. 0.74 litres — 1.3 Imperial pints.
Level	“HOT” mark on dipstick with fluid at normal operating temperature, approximately 77°C. (170°F.) and with the engine stopped.
RR363 Hydraulic System Reservoirs	2,55 litres — 4.5 Imperial pints.
Level	Maximum level mark on each sight glass. Before checking the level, run the engine for approximately 4 minutes with the car unladen.
Power Operated Hood (if fitted)	0,43 litre — 0.75 Imperial pint.
Level	“FULL” mark on dipstick with hood in fully lowered position.

## AIR CONDITIONING

### Pollen Filter

1001-41686	AIR INTAKE (Pollen) FILTER	UB19273
------------	----------------------------	---------

### Evaporator

1001-5000	EVAPORATOR	UD10954
5001-26708	EVAPORATOR	UD14714
30001-41686	EVAPORATOR	UD18479
1001-26708	O RING (Evaporator inlet pipe)	UE33518
30001-41686	O RING (Evaporator inlet pipe)	CD6810
1001-41686	O RING (Evaporator outlet pipe)	CD6809

### Fuses, Relays & Switches

1001-41686	THERMAL FUSE	UD21300
1001-41686	RESETTING THERMAL FUSE	RH9939
1001-41686	20 AMP GLASS FUSE	UD19102
30001-41686	LUCAS 6RA RELAY (On bulkhead)	UD15493
1001-26708	DIODE (Centre console)	UD15488

### Servos & Fan Speed Modules - Series II Models

30001-34549	AIR CONDITIONING SERVO	UD21762
34550-41686	AIR CONDITIONING SERVO	UD26095
30001-41686	AIR CONDITIONING SERVO GEAR	UD18891
30001-41686	AIR CONDITIONING SERVO MODULE	UD18870
30001-41686	FAN SPEED MODULE	UD22295

### Switches & Sensors - Series II Models

30001-41686	OUTSIDE TEMPERATURE SENDER	UD22700
30001-41686	COOLING FAN SWITCH	RH3047
30001-41686	ICE WARNING SENSOR	UD22889
30001-41686	AIR TEMPERATURE SWITCH	UD21542

### Air Conditioning Tools - Series II Models

30001-41686	LOAN OF AIR CONDITIONING TEST BOX	RH8851LOAN
-------------	-----------------------------------	------------

## AIR CONDITIONING

### Compressor, Drier & Expansion Valve

1001-41686	AIR CONDITIONING COMPRESSOR	UE43934
1001-41686	RECEIVER DRIER	UD11868
1001-4548	EXPANSION VALVE	UD11537
4549-41686	EXPANSION VALVE	UD25952
1001-8741	DRIVE BELTS (Twin - Alternator / Air Con)	RH9266
8742-41686	DRIVE BELTS (Twin - PAS / Air Con)	SPC2717
1001-41686	AIR CONDITIONING O RING	CD6831
1001-41686	ESTER AIR CON OIL (8oz/ 250ml)	ESTER
1001-41686	PAG 3 OIL (236ml / 8 fl oz bottle)	PAG3
1001-41686	O RING (Rear of compressor - 2 per compressor)	CD6812
1001-41686	R134A CONVERSION KIT	R134CONKIT

### Suction Throttling Valve

1001 - 26708	SUCTION THROTTLING VALVE	UD11429
1001 - 26708	SUCTION THROTTLING VALVE DIAPHRAGM KIT	CD4900
1001 - 26708	MODIFIED SUCTION THROTTLING VALVE KIT	CD6687
30001-41686	POAST VALVE	UR27176

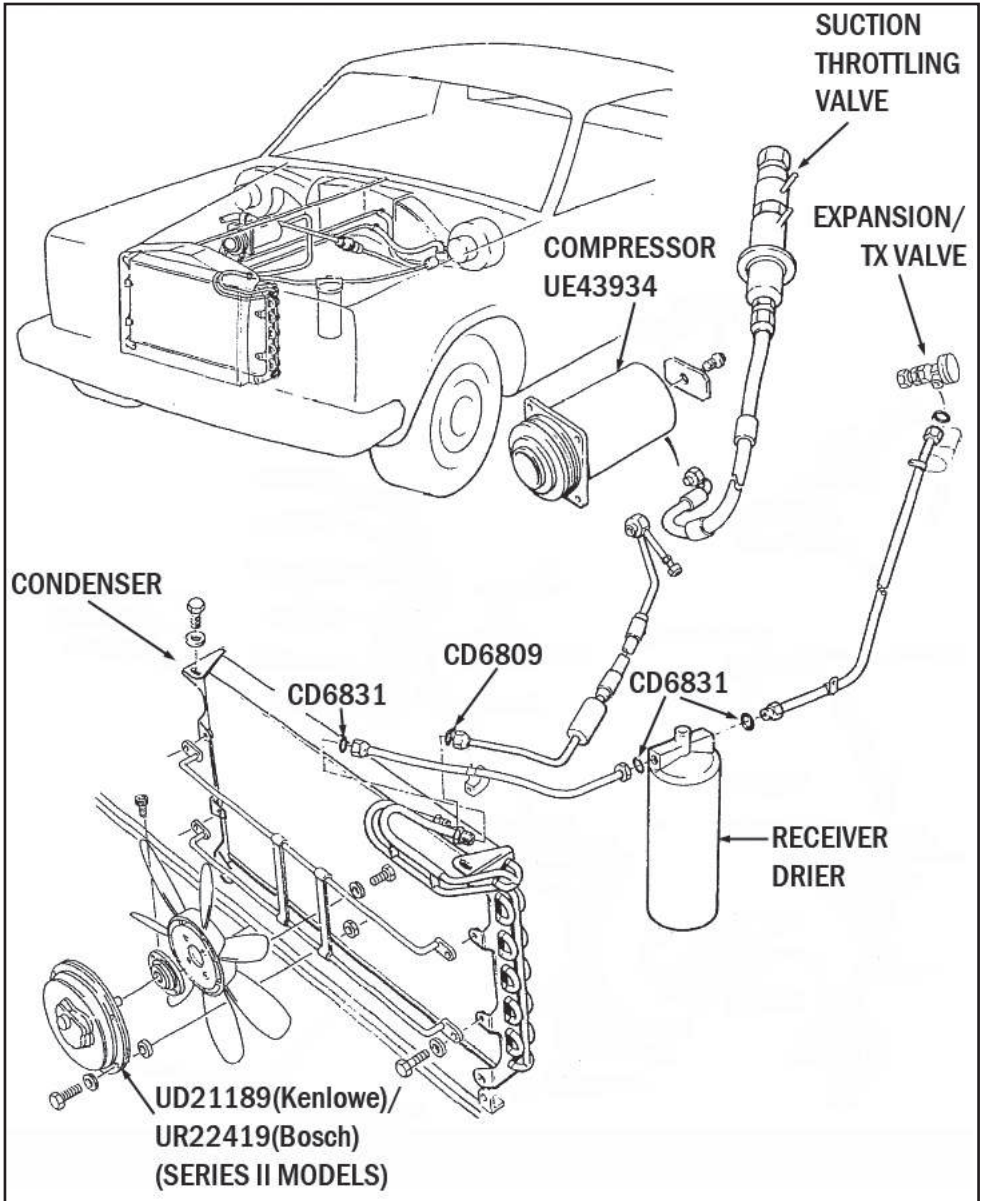
### Condenser

1001-11000*	AIR CONDITIONING CONDENSER	UR14011
11000-26708*	AIR CONDITIONING CONDENSER	UD16316
30001-41686	AIR CONDITIONING CONDENSER	UD21469
1001-41686	O RING (Condenser pipe to receiver drier)	CD6831
1001-41686	O RING (Condenser pipe to compressor)	CD6809

### Air Conditioning Hoses

1001-11000*	AIR CONDITIONING HOSE (Condenser to compressor)	UD15464
1001-11000*	AIR CONDITIONING HOSE (Compressor to suction throttling valve)	UD11524
11000-26708*	AIR CONDITIONING HOSE (Condenser to compressor)	UD16051
11000-26708*	AIR CONDITIONING HOSE (Compressor to suction throttling valve)	UD16052
30001-41686	AIR CONDITIONING DISCHARGE PIPE (Compressor to condenser)	UR26720
30001-41686	AIR CONDITIONING SUCTION HOSE (Compressor to suction throttling valve)	UD21578

# AIR CONDITIONING



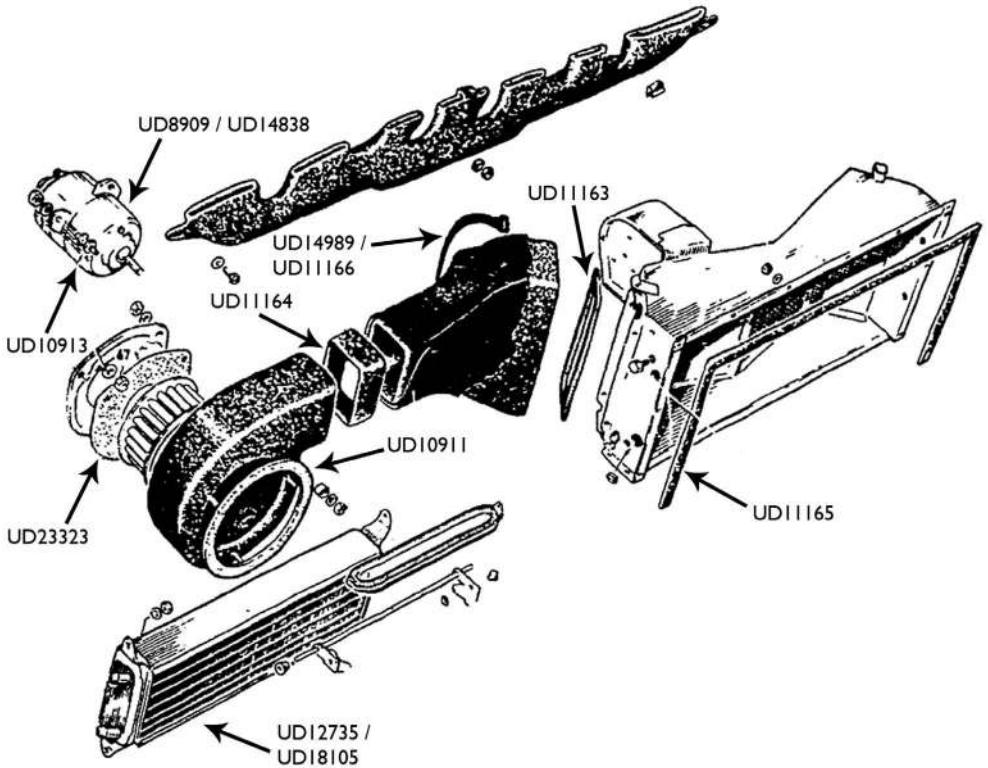
**DIAGRAM SHOWS AIR CONDITIONING SYSTEM FOR SERIES II MODELS**



# AIR CONDITIONING - BLOWER MOTOR

## Blower Motors

1001-5603	BLOWER MOTOR	UD8909
6003-41686	BLOWER MOTOR	UD14838
1001-41686	BLOWER MOTOR MOUNT	UD10913
1001-9000	HEATER DUCTING STRAP (Cars without air conditioning)	UD11166
1001-41686	HEATER DUCTING STRAP (Cars with air conditioning)	UD14989
1001-41686	SEAL (Heater box to duct)	UD11163
1001-41686	SEAL (Blower motor to duct)	UD11164
1001-41686	SEAL (Blower motor to bulkhead)	UD10911
1001-41686	SEAL (Evaporator box to dash)	UD11165



## HEATER (SERIES I MODELS)

### Heater System - Series I Models

1001-26708	HEATER MATRIX (All models with air con)	UD12735
1001-41686	O RING (Heaterpipe to thermostat housing)	PS110173PA
1001-26708	HEATER TAP	UD12956
1001-26708	HEATER TAP O RING	XB6203
1001-26708	ACTUATOR MOTOR	RH13253
1001-26708	ACTUATOR MOTOR RUBBER BOOT	UD11226BT

### Heater Hoses - Series I Models

#### RHD Cars From VIN 1001 to 2389 Without Air Con

1001-2388	HEATER RETURN HOSE (Engine to heater)	UE33057
1001-2388	HEATER HOSE (Heater to heater tap)	UD11309
1001-2388	HEATER HOSE (Engine to heater tap)	UD11777

#### From VIN 1001 to 6860

1001-6859	COOLANT HOSE	RH9020
1001-13618	HEATER HOSE (Engine to tap)	UR17764
1001-26708	HEATER HOSE (Engine to heater tap)	UE38223
1001-26708	HEATER HOSE (Heater tap to matrix)	UE38224

#### From VIN 6860 to 13618

1001-13618	HEATER HOSE (Engine to heater tap)	UR17764
6860-26708	HEATER RETURN HOSE	UR17763
1001-26708	HEATER HOSE (Engine to heater tap)	UE38223
1001-26708	HEATER HOSE (Heater tap to matrix)	UE38224

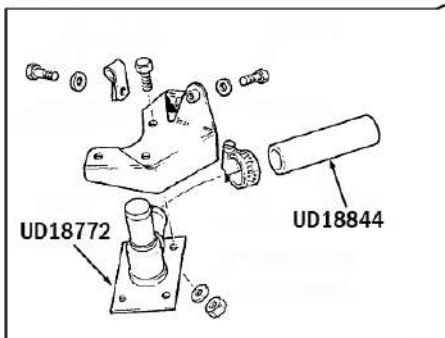
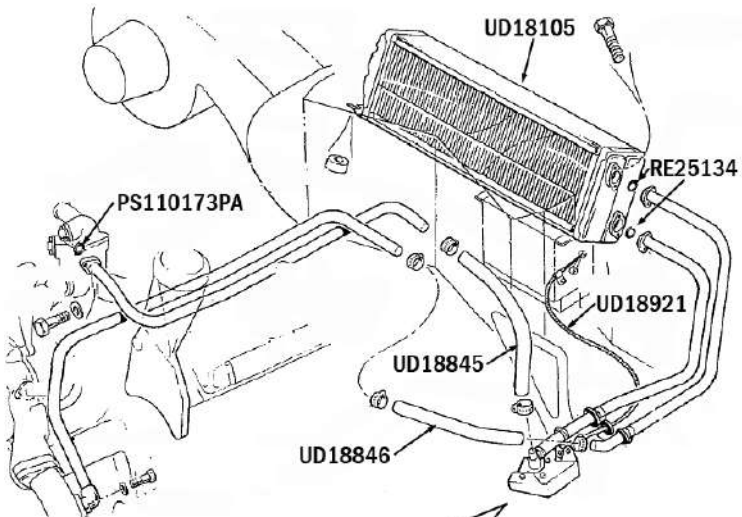
#### From VIN 13619 to 26708

6860-26708	HEATER RETURN HOSE	UR17763
13619-26708	HEATER HOSE (Engine to heater tap)	UE38223
13619-26708	HEATER HOSE (Heater tap to matrix)	UE38224

## HEATER (EARLY SERIES II MODELS)

Heater System - From VIN 30001 to 35412

30001-41686	HEATER MATRIX	UD18105
1001-41686	HEATER O RING	RE25134
30001-41686	HEATER TAP	UD18772
30001-35411	INNER CABLE FOR HEATER TAP	UD18921
30001-35411	FEED HOSE (Heater tap to engine)	UD18845
30001-35411	RETURN HOSE (Engine to heater)	UD18846
30001-35411	HEATER HOSE (Heater tap to matrix)	UD18844
1001-41686	O RING (Heater pipe to thermostat housing)	PS110173PA
1001-41686	ACTUATOR MOTOR	RH13253
1001-41686	ACTUATOR MOTOR RUBBER BOOT	UD11226BT

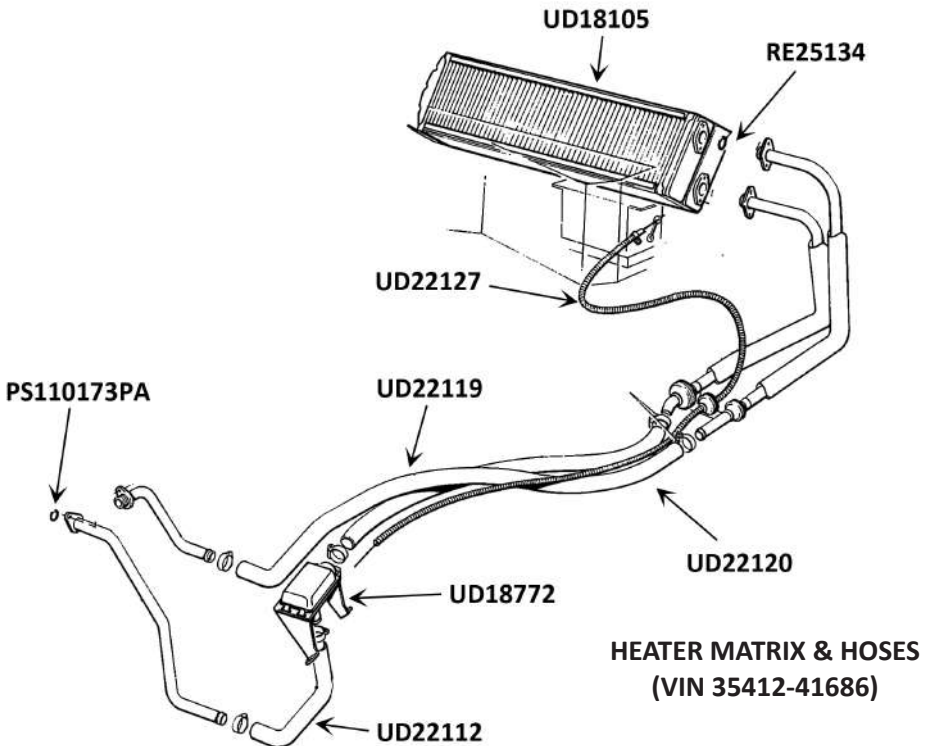


**HEATER MATRIX & HOSES  
(VIN 30001-35412)**

## HEATER (LATE SERIES II MODELS)

Heater System - From VIN 35412 to 41686

30001-41686	HEATER MATRIX	UD18105
1001-41686	HEATER O RING	RE25134
30001-41686	HEATER TAP	UD18772
35412-41686	INNER CABLE FOR HEATER TAP	UD22127
35412-41686	FEED HOSE (Heater tap to engine)	UD22112
35412-41686	RETURN HOSE (Engine to heater)	UD22119
35412-41686	HEATER HOSE (Heater tap to matrix)	UD22120
1001-41686	O RING (Heater pipe to thermostat housing)	PS110173PA
1001-38800*	ACTUATOR MOTOR	RH13253
1001-38800*	ACTUATOR MOTOR RUBBER BOOT	UD11226BT
38800-41686*	HEATER FLAP ACTUATOR MOTOR	UD22934



## BODY - MASCOTS, BADGES LOCKS & KEYS

### Rolls-Royce Badges & Mascots

1001-41686	RR FLYING LADY MASCOT	UB34689
1001-41686	RR FLYING LADY MASCOT & MOUNTING TUBE ASSEMBLY	UB34689A1
1001-41686	KNEELING LADY MASCOT	UB34689KN
1001-41686	RR GRILLE MASCOT PLYNTH	UB12950
1001-41686	RR GRILLE BADGE (Black)	E81957
1001-41686	RR BADGE (C POST)	UB40106
1001-41686	BLACK RR BADGE (With studs for mounting to bumper or boot)	UB12399
1001-41686	MOUNTING PLYNTH FOR RR BOOT BADGE	UB12396
1001-41686	BOOT LID BADGE PLYNTH SEAL	UB13854
1001-41686	"RR" BADGE FOR HEADLAMP BEZEL	UB33732
30001-41686	"SILVER SHADOW II" BOOT LID BADGE	UB33742
30001-41686	"SILVER WRAITH II" BOOT LID BADGE	UB33784

### Bentley Badges & Mascots

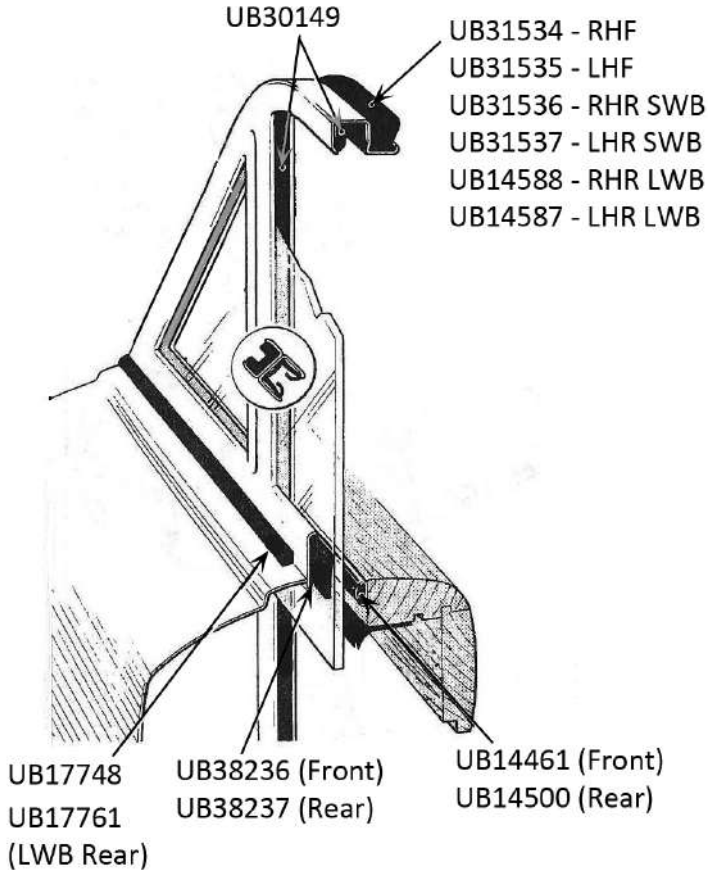
1001-41686	BENTLEY FLYING B MASCOT	UR14423
1001-41686	BLACK WINGED BENTLEY "B" RADIATOR & BOOT LID BADGE	UB38354
1001-41686	BENTLEY "B" BADGE FOR HEADLAMP BEZEL	UB33733
30001-41686	"BENTLEY T2" BOOT LID BADGE	UB33785

### Locks & Keys

1001-9000	MASTER KEY	RH7486
1001-9000	DOOR LOCK & KEY	UB10604
1001-9000	BOOT LOCK BARREL & KEY	UB16461
9001-41686	MASTER KEY	UD16920
9001-41686	DOOR LOCK & KEY	UB31850
9001-26708	BOOT LOCK BARREL & KEY	UB18220
30001-41686	BOOT LOCK BARREL & KEY	UB33649

## BODY - DOOR SEALS (4 DOOR MODELS)

1001-41686	RH FRONT DOOR SEAL	UB31534
1001-41686	LH FRONT DOOR SEAL	UB31535
1001-41686	RH REAR SWB DOOR SEAL	UB31536
1001-41686	LH REAR SWB DOOR SEAL	UB31537
1001-41686	RH REAR LWB DOOR SEAL	UB14588
1001-41686	LH REAR LWB DOOR SEAL	UB14587
1001-41686	DOOR TO FRAME SEAL (Per Door)	UB17748
1001-41686	DOOR TO FRAME SEAL (LWB rear doors)	UB17761
9001-41686	DROP GLASS CHANNEL SEAL (2.33 metre length)	UB30149
1001-41686	SEAL FRONT DOOR CAPPING TO GLASS	UB14461
1001-41686	SEAL REAR DOOR CAPPING TO GLASS	UB14500
1001-41686	REVEAL STRIP (Front door frame to drop glass)	UB38236
1001-41686	REVEAL STRIP (Rear door frame to drop glass)	UB38237
1001-41686	SECONDARY DOOR SEAL	UT13535PB



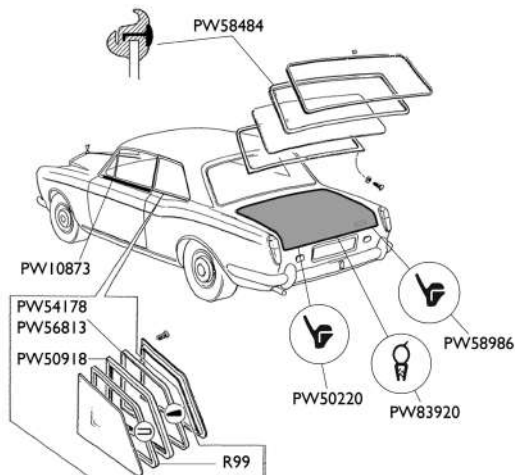
# BODY SEALS (2 DOOR MPW, CORNICHE & CAMARGUE MODELS)

## Body Seals - Camargue Models

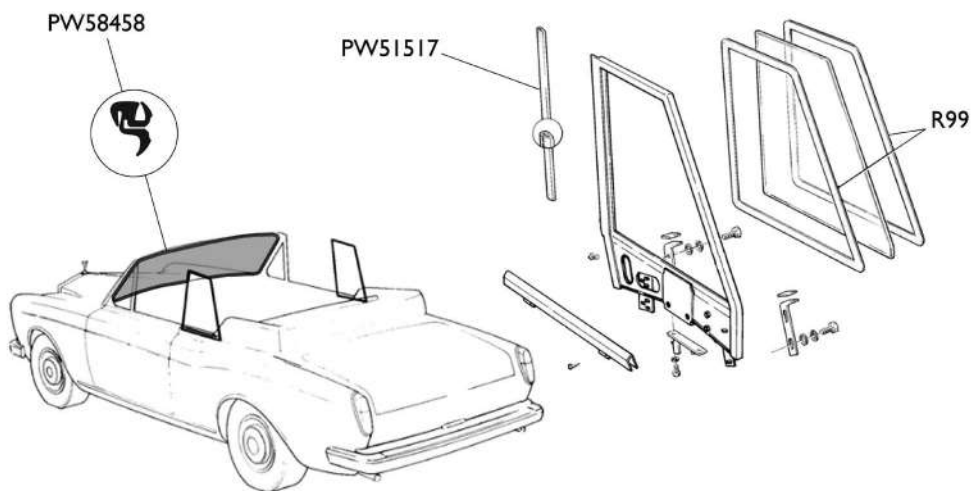
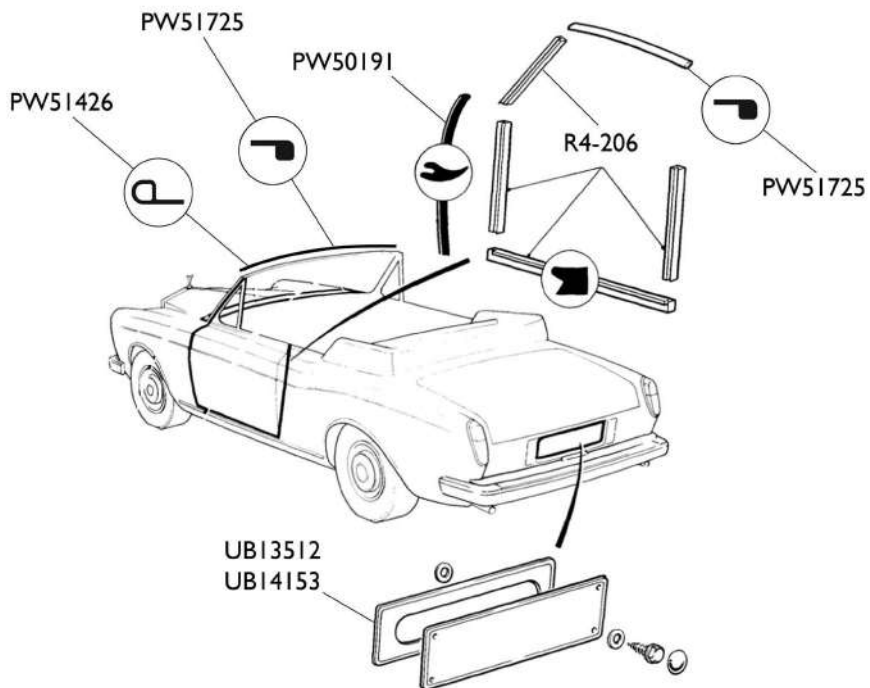
1001-41686	CAMARGUE RH DOOR SEAL	RH2961
1001-41686	CAMARGUE LH DOOR SEAL	RH2962
1001-8240	CAMARGUE WINDSCREEN SEAL	UB39602
1001-8240	CAMARGUE REAR SCREEN SEAL	UB39603
1001-8240	VENT / QUARTER SEAL (Camargue)	PW61830
1001-41686	BOOT LID SEAL (MPW 2 Door / Corniche / Camargue)	PW83920

## Body Seals - MPW & Corniche Models

1001-41686	CORNICHE DOOR SEAL (10 feet required for Drophead, 15 feet required for Fixed Head)	R4-206
1001-41686	REAR SCREEN SEAL (MPW 2 Door / Corniche)	PW58484
1001-8240	WINDSCREEN SEAL (MPW 2 Door / Corniche)	PW58484
1001-41686	BOOT LID SEAL (MPW 2 Door / Corniche)	PW50220
1001-41686	BOOT LID SEAL (MPW 2 Door / Corniche - 16" length)	PW58986
1001-41686	BOOT LID SEAL (MPW 2 Door / Corniche / Camargue)	PW83920
1001-8240	CANOPY TO HOOD GUTTER SEAL (Drophead)	PW51426
8242-41686	CANOPY TO HOOD GUTTER SEAL (Drophead)	PW51725
1001-41686	CANTRAIL TO HOOD SEAL (Drophead)	PW51725
1001-22917	FINISHER BEAD (Door fence rail)	PW10873
1001-8240	A POST TO BODY (30" long)	PW50191
1001-22917	REAR QUARTER LIGHT HINGE SEAL (Fixed Head)	PW50918
22918-41686	REAR QUARTER LIGHT HINGE SEAL (Fixed Head - 2.18m length)	PW56813
1001-22917	REAR QUARTER LIGHT SEAL (35" long - Fixed Head)	PW54178
1001-41686	SEAL (Front of rear quarter light - Drophead - 2 foot long)	PW51517
1001-41686	VENT / QUARTER LIGHT FELT	R99



# BODY SEALS (2 DOOR MPW, CORNICHE & CAMARGUE MODELS)





## BODY - BUMPERS

### Chrome Front Bumpers

1001-26708	FRONT CENTRE BUMPER (Silver Shadow)	UR13556
1001-26708	FRONT CENTRE BUMPER (T1)	UR13557
1001-26708	FRONT CENTRE BUMPER (Corniche)	UR17482
1001-26708	RH FRONT CORNER BUMPER	UR13554
1001-26708	LH FRONT CORNER BUMPER	UR13555
1001-26708	FRONT NUMBER PLATE CARRIER	UR13789
1001-26708	COMPLETE STAINLESS STEEL FRONT BUMPER KIT	UR13329

### Chrome Rear Bumpers

1001-26708	RH REAR CORNER BUMPER	UR13532
1001-26708	LH REAR CORNER BUMPER	UR13533
1001-26708	REAR CENTRE BUMPER	UR13531
1001-26708	CONICAL SEAL (Rear corner bumper to wing)	UR15450
1001-26708	REAR BUMPER FAIRING	312600279
1001-26708	COMPLETE STAINLESS STEEL REAR BUMPER KIT	UR15225

### Chrome Overriders

1001-26708	RH FRONT/LH REAR OVERRIDER	UR13534
1001-26708	LH FRONT/RH REAR OVERRIDER	UR13535
1001-26708	OVERRIDER BUNG	UR5400
1001-26708	OVERRIDER SEAL (Per Metre)	UR8130

### Rubber Front Bumpers

30001-41686	FRONT BUMPER TOP CHROME	UR27452
30001-41686	MAIN CENTRE BUMPER RUBBER	UR19966
30001-41686	RH FRONT BUMPER END CAP	UR18372
30001-41686	LH FRONT BUMPER END CAP	UR18373
30001-41686	FRONT NUMBER PLATE CARRIER (Except USA models)	UR20028
30001-41686	FRONT BUMPER ASSEMBLY (Reconditioned)	UR19839

### Rubber Rear Bumpers

30001-41686	REAR BUMPER TOP CHROME	UR19367
30001-41686	MAIN CENTRE BUMPER RUBBER	UR19966
30001-41686	RH REAR BUMPER END CAP	UR18374
30001-41686	LH REAR BUMPER END CAP	UR18375
30001-41686	REAR BUMPER SEAL "D"	UR18272
30001-41686	REAR BUMPER FAIRING (Except USA models)	UB33154

### Badge Bars

1001-41686	RR BADGE BAR	RH3239
1001-41686	BENTLEY BADGE BAR	RH3240

## BODY - GRILLES

### RR Grille (Silver Shadow)

1001-26708	SILVER SHADOW GRILLE ASSEMBLY	RH2371
1001-26708	GRILLE SHELL	UB12369
1001-26708	GRILLE VANES	UB12370
1001-41686	GRILLE TO WING SEAL (Per Metre)	UE1171

### RR Grille (Corniche)

1001-26708	GRILLE SHELL	UB18760
1001-26708	GRILLE VANES	UB12370

### RR Grille (Silver Shadow II & Corniche II)

30001-41686	GRILLE ASSEMBLY	UB43759
30001-41686	GRILLE SHELL	UB31244
30001-41686	GRILLE VANES	UB33942

### Bentley Grille (Bentley T & Corniche)

1001-26708	GRILLE SHELL	UR13572
1001-26708	GRILLE VANES	UB12587

### Bentley Grille (Bentley T2 & Corniche II)

30001-41686	GRILLE SHELL	UR20410
30001-41686	GRILLE VANES	UR19878
30001-41686	BENTLEY 'CHICKEN WIRE' GRILLE INSERT	UR19878MESH

### RR Camargue

1973-1987	GRILLE SHELL	UB30156
1973-1987	GRILLE VANES	UB33956

Mascot & Badges - see Page 12

## BODY - BRIGHTWARE

### Door Mouldings, Clips & Handles

1001-26708	EXTERIOR DOOR HANDLE	UB10600
30001-41686	RH EXTERIOR DOOR HANDLE	UB33586
30001-41686	LH EXTERIOR DOOR HANDLE	UB33587
30001-41686	LH EXTERIOR DOOR HANDLE ONLY	UB33559
1001-41686	RH FRONT DOOR CHROME STRIP	UB13442
1001-41686	LH FRONT DOOR CHROME STRIP	UB13443
1001-41686	SWB REAR DOOR CHROME STRIP	UB13185
1001-41686	LWB REAR DOOR CHROME STRIP	UB13751
1001-41686	MALE DOOR MOULDING CLIP (5 per moulding)	UB12416
1001-41686	FEMALE BODY MOULDING CLIP	UB12419
1001-41686	INTERIOR DOOR PANEL CLIP	UT14421PA

### Wing Mouldings & Clips

1001-41686	RH FRONT WING CHROME STRIP	UB13170
1001-41686	LH FRONT WING CHROME STRIP	UB13169
1001-41686	RH REAR WING CHROME STRIP	UB14020
1001-41686	LH REAR WING CHROME STRIP	UB14021
1001-41686	MALE WING MOULDING CLIP (10 per moulding)	UB12416
1001-41686	FEMALE BODY MOULDING CLIP	UB12419

### Sill Mouldings & Clips

1001-18268	SWB SILL MOULDING STRIP	UB12389
18269-41686	SWB SILL MOULDING STRIP	UB32029
1001-18268	LWB SILL MOULDING STRIP	UB13754
18269-41686	LWB SILL MOULDING STRIP	UB32028
1001-41686	MALE SILL MOULDING CLIP (9 per moulding)	UB12418
1001-41686	FEMALE BODY MOULDING CLIP	UB12419
1001-41686	TAPPING BLOCK (Front of sill moulding)	UB12394
1001-41686	RETAINING CLIP (Rear of sill moulding)	UB13062
1001-41686	SILL MOULDING CLIP (Corniche)	PW82629

### Internal Chrome

1001-41686	CHROME ESCUTCHEON RETAINER	UD11793
1001-41686	CHROME COVER PLATE (Single window switch)	UD20960
1001-41686	CHROME COVER PLATE (Drivers window switches)	UD20962
1001-41686	CHROME WINDOW SWITCH SURROUND (Drivers door)	UD14823
1001-41686	CDL CHROME H PLATE (Flat)	UD17137
1001-41686	CDL CHROME H PLATE (With thin raised section)	UD18382
9001-41686	CDL CHROME H PLATE (With wider raised section)	UD21375

## BODY - MIRRORS & WINDSCREENS

### Fixed Round Door Mirrors (Early Series 1 models)

1001-8861	RH DOOR MIRROR STEM (As per original)	UB15494
1001-8861	LH DOOR MIRROR STEM (As per original)	UB15385
1001-8861	MIRROR HEAD (As per original - flat glass)	UB14150
1001-8861	MIRROR HEAD (As per original - convex glass)	UB14151
1001-8861	RH DOOR MIRROR (Alternative)	UB5096
1001-8861	LH DOOR MIRROR (Alternative)	UB5097

### Round Adjustable Door Mirrors (Late Series 1 models)

9001-26708	RH ADJUSTABLE DOOR MIRROR	UB18118ASSY
9001-26708	LH ADJUSTABLE DOOR MIRROR	UB18117ASSY

### Rectangular Adjustable Door Mirrors (Series 2 models)

30001-41686	RH DOOR MIRROR	UB34500
30001-41686	DOOR MIRROR SEAL	UB33286
30001-41686	FLAT MIRROR GLASS	CD5959
30001-41686	CONVEX MIRROR GLASS	CD5960

### Front Windscreen, Rear Screen & Seal

1001-41686	FRONT WINDSCREEN (4 Door models)	UB15704
1001-41686	FRONT WINDSCREEN SEAL (4 Door models)	UB12467
1001-41686	CHROME WINDSCREEN SURROUND (4 Door models)	UB12470
1001-41686	FRONT WINDSCREEN (MPW & Corniche models)	PW51963
1001-41686	FRONT WINDSCREEN SEAL (MPW & Corniche models)	PW58458
1001-41686	REAR SCREEN	UB31881
1001-41686	REAR SCREEN SEAL	UB12408
1001-41686	CHROME REAR SCREEN SURROUND	UB12407
1001-41686	REAR SCREEN (4 Door LWB Small Screen)	UB31883
1001-41686	SEAL (4 Door LWB Small Rear Screen)	UW13961
1001-41686	REAR SCREEN (MPW & Corniche Fixed Head)	PW50095
1001-41686	REAR SCREEN SEAL (MPW & Corniche Fixed Head)	PW58484
14674-41686	FRONT WINDSCREEN (Camargue)	UB41099
14674-41686	FRONT WINDSCREEN SEAL (Camargue)	UB39602
14674-41686	REAR SCREEN (Camargue)	PW60784
14674-41686	REAR SCREEN SEAL (Camargue)	UB39603

## BODY - HEADLAMP BEZELS & BONNET

### Headlamp Bezels & Air Intakes

1001-34574	HEADLAMP BEZEL (Standard models)	UB16207
34575-41686	HEADLAMP BEZEL (Wash/wipe models)	UB33579
1001-41686	"RR" BADGE FOR HEADLAMP BEZEL	UB33732
1001-41686	BENTLEY "B" BADGE FOR HEADLAMP BEZEL	UB33733
1001-41686	SPEED NUT FOR HEADLAMP BEZEL BADGES	UB5162
1001-41686	HEADLAMP BEZEL SCREW	UB12321
1001-41686	SPACER FOR HEADLAMP BEZEL SCREW	UB13478
1001-41686	HEADLAMP BEZEL SEAL	UB12889
34575-41686	HEADLAMP WASHER JET	UD21749
1001-18224	SNOW PACK (Chrome air intake)	UB3556
1001-18224	AIR INTAKE SEAL	UB1561

### Bonnet

1001-41686	BONNET (RR)	112600014
1001-41686	BONNET (Bentley)	312610015
1001-41686	RH BONNET HINGE	UB20382
1001-41686	LH BONNET HINGE	UB20383
1001-41686	BONNET SEAL (Rear edge)	UB43421
1001-41686	BONNET EDGE SEAL (Sides up to grille - per metre)	UB32749
1001-41686	RUBBER GROMMET (Bonnet Stop)	UB12425
1001-41686	CHROME BONNET STRIP	UB12385
1001-41686	MALE BONNET MOULDING CLIP (5 per moulding)	SPC2182
1001-41686	FEMALE BODY MOULDING CLIP	UB12419

### Under Bonnet Sound Deadening Pads

1001-41686	FRONT UNDER BONNET PAD	UB13543
1001-41686	REAR UNDER BONNET PAD	UB13544
1001-41686	RH UNDER BONNET PAD	UB13545
1001-41686	LH UNDER BONNET PAD	UB13546
1001-41686	BONNET PAD CLIP	SPC1347

## BODY - BOOT

### Boot (Trunk) Lid

1001-41686	BOOT LID (4 Door models)	312600085
1001-41686	BOOT LID HINGE (4 Door models)	UB15997
1001-41686	MAIN BOOT (Trunk) SEAL (4 Door models)	UB15695
1001-41686	BOOT APERTURE SEAL (Per metre)	UB32749
1001-41686	BOOT LID STOP SEAL	UB16497
1001-41686	BLACK RR BADGE (With studs for mounting to bumper or boot)	UB12399
1001-41686	BOOT LID RR BADGE PLYNTH SEAL	UB13854
1001-41686	MOUNTING PLYNTH FOR RR BOOT BADGE	UB12396
1001-26708	BOOT HANDLE	UB10537
30001-41686	BOOT HANDLE KIT	UB35323
1001-41686	BOOT HANDLE SEALING RING	UB12119
1001-41686	BOOT LOCK MECHANISM	UB10871
1001-41686	REAR NUMBER PLATE SEAL (UK spec models)	UB13512
1001-41686	REAR NUMBER PLATE SEAL (US spec models)	UB14153
30001-41686	"SILVER SHADOW II" BOOT LID BADGE	UB33742
30001-41686	"BENTLEY T2" BOOT LID BADGE	UB33785
30001-41686	"SILVER WRAITH II" BOOT LID BADGE	UB33784
1001-9000	BOOT LOCK BARREL & KEY	UB16461
9001-26708	BOOT LOCK BARREL & KEY	UB18220
30001-41686	BOOT LOCK BARREL & KEY	UB33649

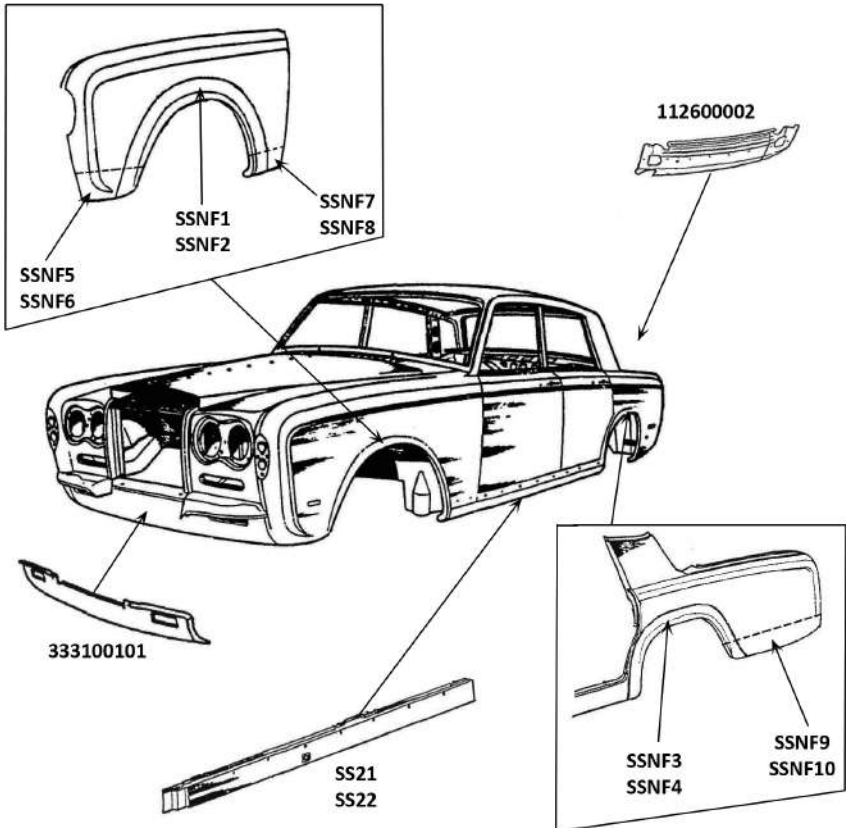
### MPW Two Door & Corniche Body Parts

1001-41686	CORNICHE HOOD CATCH	PW51424
1001-18000*	COVER FOR EMERGENCY WINDOW HANDLE (Corniche)	PW10411
1001-41686	SILL MOULDING CLIP (Corniche & Bentley Continental)	PW82629
1001-41686	BOOT LID (MPW 2 Door & Corniche)	PW57875
1001-41686	BOOT SEAL GLUE	G1-156
1001-41686	BOOT SEAL PRIMER	G1-161

# BODY REPAIR PANELS

For 4 Door Cars With Non-Flared Wheel Arches - From VIN 1001 to 18268

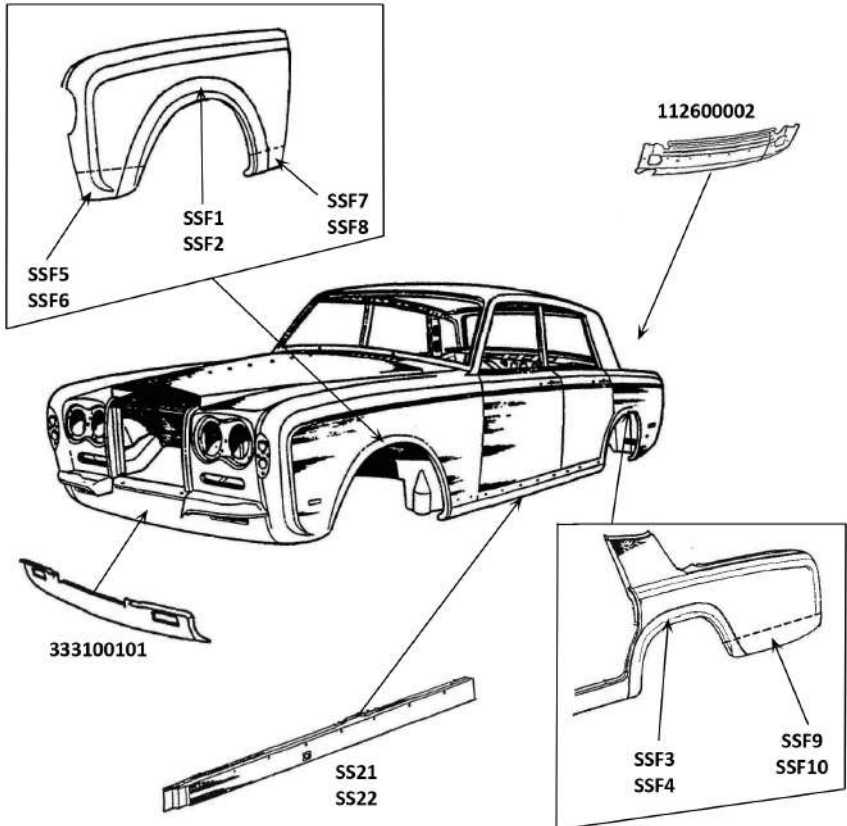
1001-18268	LH FRONT WHEEL ARCH	SSNF1
1001-18268	RH FRONT WHEEL ARCH	SSNF2
1001-18268	LH REAR WHEEL ARCH	SSNF3
1001-18268	RH REAR WHEEL ARCH	SSNF4
1001-18268	LH FRONT WING FRONT REPAIR SECTION	SSNF5
1001-18268	RH FRONT WING FRONT REPAIR SECTION	SSNF6
1001-18268	LH FRONT WING REAR REPAIR SECTION	SSNF7
1001-18268	RH FRONT WING REAR REPAIR SECTION	SSNF8
1001-18268	LH REAR WING REAR REPAIR SECTION	SSNF9
1001-18268	RH REAR WING REAR REPAIR SECTION	SSNF10



# BODY REPAIR PANELS

For 4 Door Cars With Flared Wheel Arches- From VIN 18269 to 41686

18269-41686	LH FRONT WHEEL ARCH	SSF1
18269-41686	RH FRONT WHEEL ARCH	SSF2
18269-41686	LH REAR WHEEL ARCH	SSF3
18269-41686	RH REAR WHEEL ARCH	SSF4
18269-41686	LH FRONT WING FRONT REPAIR SECTION	SSF5
18269-41686	RH FRONT WING FRONT REPAIR SECTION	SSF6
18269-41686	LH FRONT WING REAR REPAIR SECTION	SSF7
18269-41686	RH FRONT WING REAR REPAIR SECTION	SSF8
18269-41686	LH REAR WING REAR REPAIR SECTION	SSF9
18269-41686	RH REAR WING REAR REPAIR SECTION	SSF10





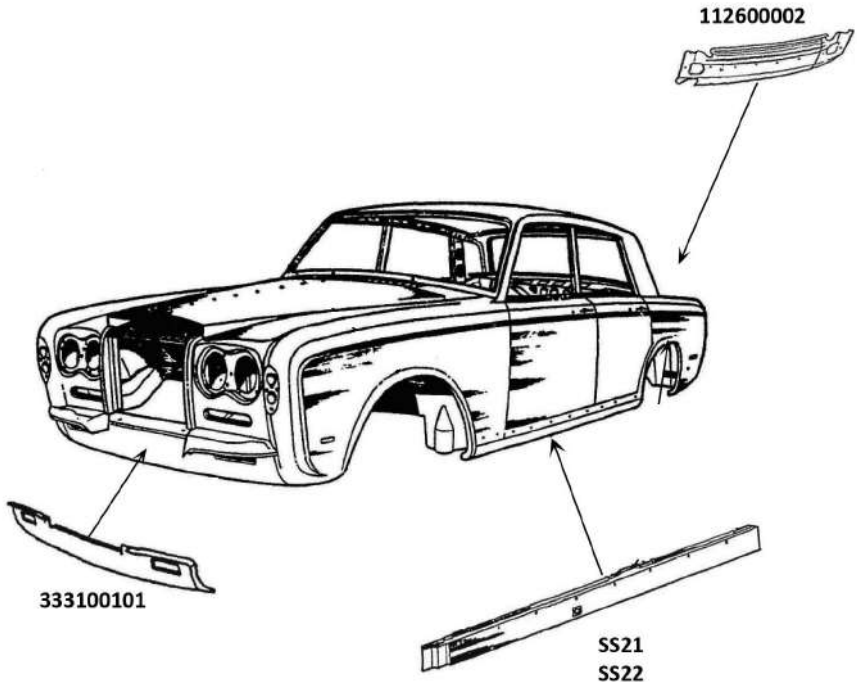
## BODY REPAIR PANELS

### Panels Common To All 4 Door Cars

1001-41686	FRONT VALANCE PANEL	333100101
1001-41686	REAR PANEL	112600002
1001-41686	RH OUTER SILL PANEL SWB	SS22
1001-41686	LH OUTER SILL PANEL SWB	SS21
1001-41686	OUTER SILL PANEL EXTENSION - LWB	SS21LWB
30001-41686	FRONT SPOILER	UB85780
1001-41686	FLOOR PAN RH FRONT & REAR	AHP0874
1001-41686	FLOOR PAN LH FRONT & REAR	AHP0875
1001-41686	RH FRONT FLOOR PAN	TS013R
1001-41686	LH FRONT FLOOR PAN	TS013L
1001-41686	RH REAR FLOOR PAN	TS014R
1001-41686	LH REAR FLOOR PAN	TS014L
1001-26708	REAR BUMPER FAIRING	312600279
30001-41686	REAR BUMPER FAIRING	UB33154

### Rear Trailing Arm Spring Pan Repair Sections

1001-41686	LH TRAILING ARM SPRING CUP REPAIR SECTION	SS23
1001-41686	RH TRAILING ARM SPRING CUP REPAIR SECTION	SS24



## BODY REPAIR PANELS - MPW & CORNICHE

### Panels for early MPW & Corniche Models (Up to VIN 18562) - Non-flared Wheel Arches

1001-41686	FRONT VALANCE PANEL	333100101
1001-41686	REAR VALANCE	COR17
1001-18562	RH FRONT WING FRONT REPAIR PANEL (Non-Flared)	COR01RH
1001-18562	LH FRONT WING FRONT REPAIR PANEL (Non-Flared)	COR01LH
1001-18562	RH FRONT WHEEL ARCH (Non-Flared)	COR12RH
1001-18562	LH FRONT WHEEL ARCH (Non-Flared)	COR12LH
1001-18562	RH FRONT WING REAR REPAIR PANEL (Non-Flared)	COR03RH
1001-18562	LH FRONT WING REAR REPAIR PANEL (Non-Flared)	COR03LH
1001-41686	RH OUTER SILL PANEL	COR07RH
1001-41686	LH OUTER SILL PANEL	COR07LH
1001-18562	RH REAR WHEEL ARCH (Non-Flared)	COR14RH
1001-18562	LH REAR WHEEL ARCH (Non-Flared)	COR14LH
1001-18562	RH REAR WING REPAIR SECTION (Non-Flared)	COR10RH
1001-18562	LH REAR WING REPAIR SECTION (Non-Flared)	COR10LH

### Panels for Corniche Models (From VIN 18563) - Flared Wheel Arches

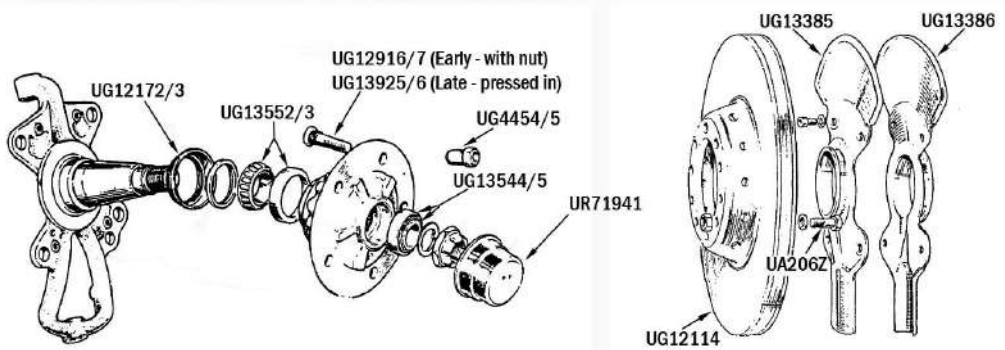
1001-41686	FRONT VALANCE PANEL	333100101
1001-41686	REAR VALANCE	COR17
18563-41686	RH FRONT WING FRONT REPAIR PANEL (Flared)	COR02RH
18563-41686	LH FRONT WING FRONT REPAIR PANEL (Flared)	COR02LH
18563-41686	RH FRONT WHEEL ARCH (Flared)	COR19RH
18563-41686	LH FRONT WHEEL ARCH (Flared)	COR19LH
18563-41686	RH FRONT WING REAR REPAIR PANEL (Flared)	COR04RH
18563-41686	LH FRONT WING REAR REPAIR PANEL (Flared)	COR04LH
1001-41686	RH OUTER SILL PANEL	COR07RH
1001-41686	LH OUTER SILL PANEL	COR07LH
18563-41686	RH REAR WHEEL ARCH (Flared)	COR13RH
18563-41686	LH REAR WHEEL ARCH (Flared)	COR13LH
18563-41686	RH REAR WING REPAIR SECTION (Flared)	COR11RH
18563-41686	LH REAR WING REPAIR SECTION (Flared)	COR11LH

## FRONT BRAKES - SOLID DISCS

Up to VIN 15923 on the 4 door models and VIN 12733 on the 2 door models the front brakes were fitted with a solid brake disc (rotor). After these VINs all cars were fitted with ventilated front brake discs.

### Front Brakes with Solid Discs

1001-15923	FRONT SOLID BRAKE DISC	UG12114
1001-41686	FRONT INNER WHEEL BEARING	UG13552/3
1001-41686	FRONT OUTER WHEEL BEARING	UG13544/5
1001-41686	RH FRONT BRAKE DISC SHIELD	UG13386
1001-41686	LH FRONT BRAKE DISC SHIELD	UG13385
1001-41686	FRONT BRAKE DISC BOLT	UA206Z
1001-15923	GREASE RETAINER (RH front hub)	UG12172
1001-15923	GREASE RETAINER (LH front hub)	UG12173



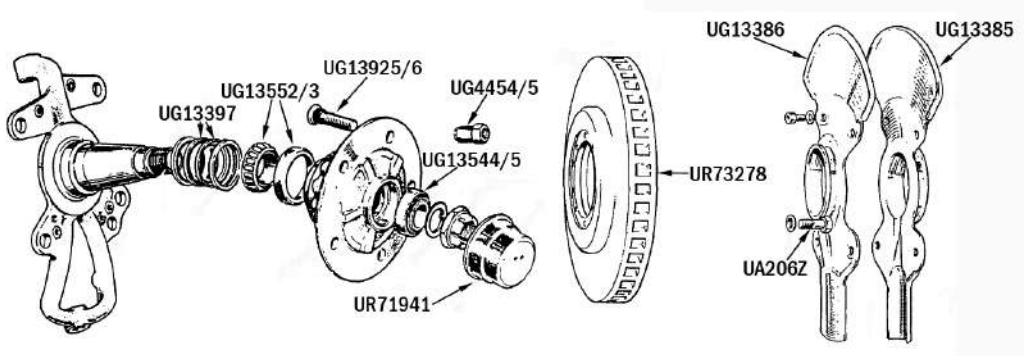
### Front Brake Pads & Calipers - Cars with Solid Discs

1001-15923	FRONT BRAKE PADS (2 boxes per car. Retaining pins & clips not included)	CD6722
1001-15923	BRAKE PAD RETAINING PIN (8 pins per axle)	CD4075
1001-15923	R CLIP (For brake pad pin CD4075)	CD4076
1001-15923	FRONT BRAKE CALIPER (RH Leading/ LH Trailing)	UG13203
1001-15923	FRONT BRAKE CALIPER (LH Leading/ RH Trailing)	UG13204
1001-41686	FRONT BRAKE CALIPER SEAL KIT (1 kit per axle)	CD5339
1001-41686	FRONT BRAKE CALIPER PISTON (2 pistons per caliper)	CD5844
1001-41686	CALIPER GALLERY SEAL (1 seal per caliper)	GALLERY
1001-41686	BLEED NIPPLE (1 per caliper)	UR10967
1001-15923	FRONT CALIPER BOLT (2 per caliper)	UG12702
1001-41686	FRONT BRAKE CALIPER HOSE (4 per car)	CD6242

## FRONT BRAKES - VENTED DISCS

### Front Brakes with Ventilated Discs

15924-41686	FRONT VENTED BRAKE DISC	UR73278
15950-41686	OIL SEAL (2 per front hub)	UG13397
1001-41686	FRONT INNER WHEEL BEARING	UG13552/3
1001-41686	FRONT OUTER WHEEL BEARING	UG13544/5
1001-41686	RH FRONT BRAKE DISC SHIELD	UG13386
1001-41686	LH FRONT BRAKE DISC SHIELD	UG13385
1001-41686	FRONT BRAKE DISC BOLT	UA206Z



### Front Brake Pads & Calipers - Cars with Ventilated Discs

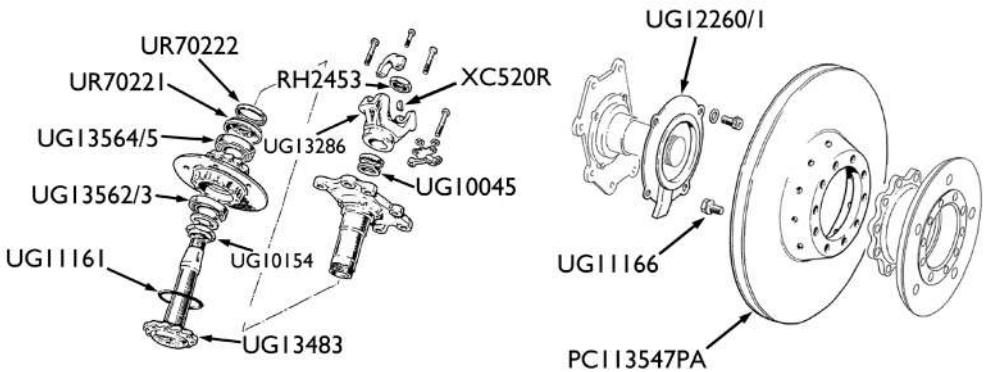
15924-41686	FRONT BRAKE PADS (1 box per axle)	CD6381
	All springs, retaining pins & clips included with CD6381	
15924-41686	FRONT BRAKE PAD PIN (2 per caliper)	CD5735
15924-41686	BRAKE PAD RETAINING PIN R CLIP (1 per pin)	CD5736
15924-41686	FRONT BRAKE PAD ANTI-RATTLE SPRING (1 per caliper)	CD6010
15924-41686	FRONT BRAKE CALIPER (LH Leading/ RH Trailing)	UG14082
15924-41686	FRONT BRAKE CALIPER (RH Leading/ LH Trailing)	UG14083
1001-41686	FRONT BRAKE CALIPER SEAL KIT (1 kit per axle)	CD5339
1001-41686	FRONT BRAKE CALIPER PISTON (2 per caliper)	CD5844
1001-41686	CALIPER GALLERY SEAL (2 per caliper)	GALLERY
1001-41686	BLEED NIPPLE (1 per caliper)	UR10967
15924-41686	FRONT CALIPER BOLT (2 per caliper)	UG13704
1001-41686	FRONT BRAKE CALIPER HOSE (4 per car)	CD6242

## REAR BRAKES - HUBS & DISCS

Specialist tools are required to separate the rear hub in order to replace the disc. We offer fully rebuilt hubs which are listed below.

### Rear Brake Discs & Wheel Bearings

1001-41686	REAR BRAKE DISC	PC113547PA
1001-41686	REAR HUB ADJUSTING NUT	UG10154
1001-41686	REAR HUB TORQUE NUT	RH2453NUT
1001-41686	REAR INNER WHEEL BEARING	UG13564/5
1001-41686	REAR OUTER WHEEL BEARING	UG13562/3
1001-41686	REAR HUB FELT WASHER	UG10045
1001-41686	REAR HUB O RING	UG11161
1001-41686	REAR HUB OIL SEAL (Requires UR70221 to be fitted)	UR70222
1001-41686	REAR HUB OIL SEAL RETAINER	UR70221
1001-41686	REAR HUB STUB AXLE WOODRUFF KEY (0.2185" thick)	XC520R
1001-41686	REAR BRAKE DISC BOLT	UG11166
1001-41686	RH REAR BRAKE DISC SHIELD	UG12260
1001-41686	LH REAR BRAKE DISC SHIELD	UG12261
1001-41686	REAR HUB SPLITTING TOOL	RH9690
1001-18268	DRIVING SHAFT	UG13483
1001-41686	YOKE (For rear hub driving shaft)	UG13286
1001-18268	RH REAR HUB ASSEMBLY	UG13918HUB
1001-18268	LH REAR HUB ASSEMBLY	UG13917HUB
18269-41686	RH REAR HUB ASSEMBLY	UG13922HUB
18269-41686	LH REAR HUB ASSEMBLY	UG13921HUB



## BRAKES - REAR CALIPERS & PADS

### Rear Calipers - Early Cars With Master Cylinder

1001-22117	LH REAR CALIPER	RH2577
1001-22117	RH REAR CALIPER	RH2578
1001-22117	REAR CALIPER SEAL KIT (1 kit per axle)	CD6287
1001-22117	LARGE REAR CALIPER PISTON (2 per caliper)	CD6283
1001-22117	SMALL REAR CALIPER PISTON (2 per caliper)	CD4074

### Rear Calipers - Later Cars With No Master Cylinder

22118-41686	LH REAR CALIPER	UG14487
22118-41686	RH REAR CALIPER	UG14486
22118-41686	REAR CALIPER SEAL KIT (1 kit per axle)	CD5847
22118-41686	REAR CALIPER PISTON (4 per caliper)	CD4074

### Parts Common To All Rear Calipers

1001-41686	CALIPER GALLERY SEAL (2 per caliper)	GALLERY
1001-41686	HANDBRAKE PAD RETAINING SPRING (1 per caliper)	CD4100
1001-41686	HANDBRAKE LEVER RETURN SPRING (1 per caliper)	CD4091
1001-41686	HANDBRAKE ADJUSTING ROD SPRING (1 per caliper)	CD4099
1001-41686	LONG BLEED NIPPLE (1 per caliper)	UG12324
1001-41686	SHORT BLEED NIPPLE (1 per caliper)	UR10967
1001-41686	ANTI-RATTLE SPRING (2 per caliper)	CD4928
13185-41686	CLIP (Handbrake adjusting nut)	CD5682

### Rear Brake Pads - Foot & Park

1001-41686	HANDBRAKE PAD SET (1 per axle)	CD6586
1001-41686	REAR BRAKE PAD SET (1 per axle)	CD6396
	All springs, retaining pins & clips included with CD6396	
1001-41686	BRAKE PAD RETAINING PIN (2 per caliper)	CD4075
1001-41686	R CLIP (1 per pin)	CD4076
1001-41686	ANTI-RATTLE SPRING (2 per caliper)	CD4928

### Front & Rear Handbrake Cables

1001-41686	RHD FRONT HANDBRAKE CABLE	UG12988
1001-4010	LHD FRONT HANDBRAKE CABLE	UG12341
4011-41686	LHD FRONT HANDBRAKE CABLE	UG12987
15972-41686	LHD FRONT FOOT OPERATED BRAKE CABLE	UR26787
1001-4010	REAR HANDBRAKE CABLE SWB	RH8131
4011-8125	REAR HANDBRAKE CABLE SWB	UG12777
8129-41686	REAR HANDBRAKE CABLE SWB	UR73500
1001-4010	REAR HANDBRAKE CABLE LWB	UG12533
4011-8125	REAR HANDBRAKE CABLE LWB	UG12829
8126-41686	REAR HANDBRAKE CABLE LWB	UR73501

## BRAKES - HOSES

### Flexible Rubber Brake Hoses

1001-41686	FRONT BRAKE CALIPER HOSE (4 per car)	CD6242
1001-41686	LH REAR INNER BRAKE HOSE (1 per car)	CD6243
1001-41686	LH REAR OUTER BRAKE HOSE (1 per car)	CD6244
1001-41686	RH REAR INNER BRAKE HOSE (1 per car)	CD6247
1001-41686	RH REAR INNER BRAKE (1 per car) & RHD RAT-TRAP HOSE (2 per car)	CD6248
1001-41686	LHD RAT-TRAP HOSE (1 per car)	CD6245
1001-41686	LHD RAT-TRAP HOSE (1 per car)	UR19939
1001-41686	BRAKE HOSE WASHER (Rat trap hoses)	UR1200
1001-41686	BRAKE HOSE NUT	UA353Z
1001-41686	PLAIN WASHER	WHT002851

### High Pressure Braided Brake Hoses

1001-26708	FRONT ACCUMULATOR HOSE	UR17334
30001-41686	FRONT ACCUMULATOR HOSE	UR20957
1001-41686	REAR ACCUMULATOR HOSE	UR17886

### Brake Reservoir Feed & Return Hoses

1001-16671	FRONT BRAKE PUMP FEED HOSE (1 per car)	UR14202
16672-41686	FRONT BRAKE PUMP FEED HOSE (1 per car)	UR15848
1001-41686	REAR BRAKE PUMP FEED HOSE (1 per car)	UR14202
1001-26708	ACCUMULATOR RETURN HOSE (2 per car)	UR14201
30001-41686	RH ACCUMULATOR RETURN HOSE (1 per car)	UR20144
30001-41686	LH ACCUMULATOR RETURN HOSE (1 per car)	UR14201

### Pump to Accumulator Pipes

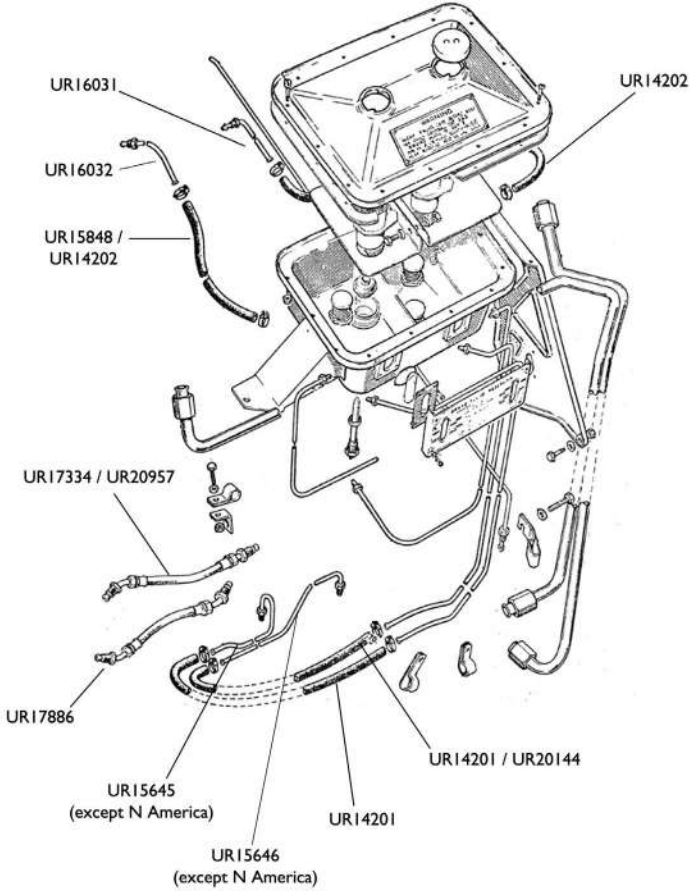
We have listed the later style pipes with a thicker bore, fitted as standard from VIN 12490 approx. Many earlier models have been modified. The union on the brake pumps & valve bodies that accepts these pipes is 3/4". Please contact us if your car is fitted with the early thinner bore pipes with 5/16" unions.

1001-26708	PIPE (Front brake pump to accumulator)	UR18568
30001-41686	BRAKE PIPE (Front brake pump to accumulator)	UR20925
1001-41686	PIPE (Rear brake pump to accumulator)	UR17518

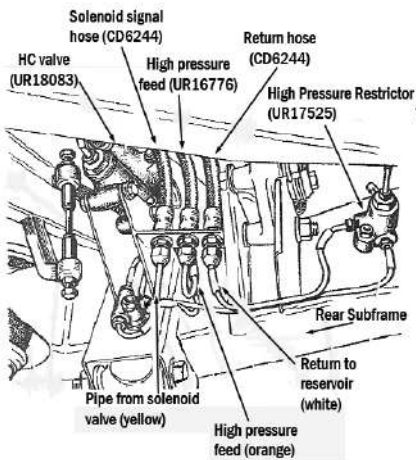
### Rear Height Control Hoses

1001-41686	RUBBER HEIGHT CONTROL HOSE	CD6244
1001-41686	BRAIDED HIGH PRESSURE HOSE	UR16776

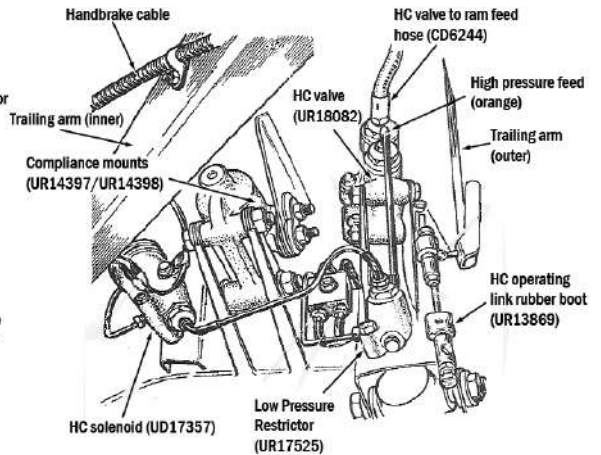
# BRAKES - HOSES



## LH Rear Height Control Valve



## RH Rear Height Control Valve

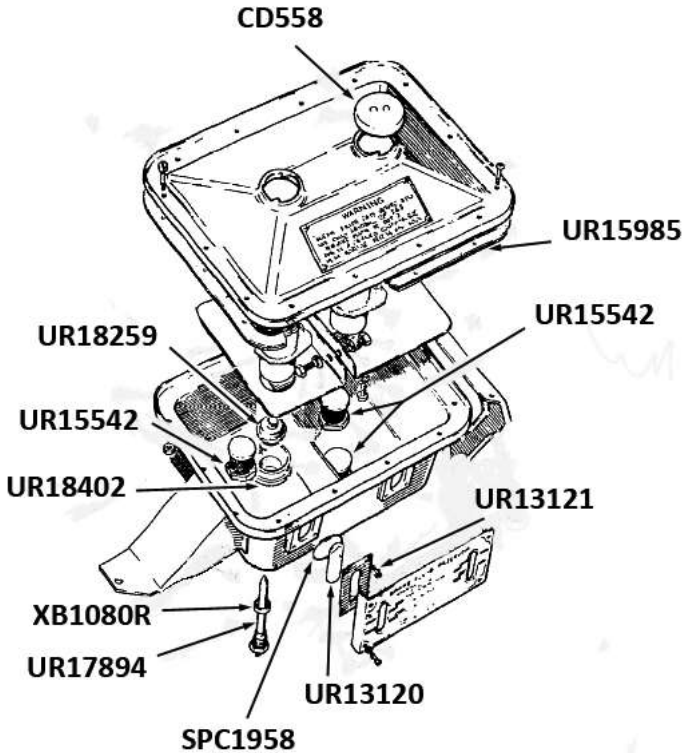




## BRAKES - RESERVOIR

### Brake Fluid Reservoir

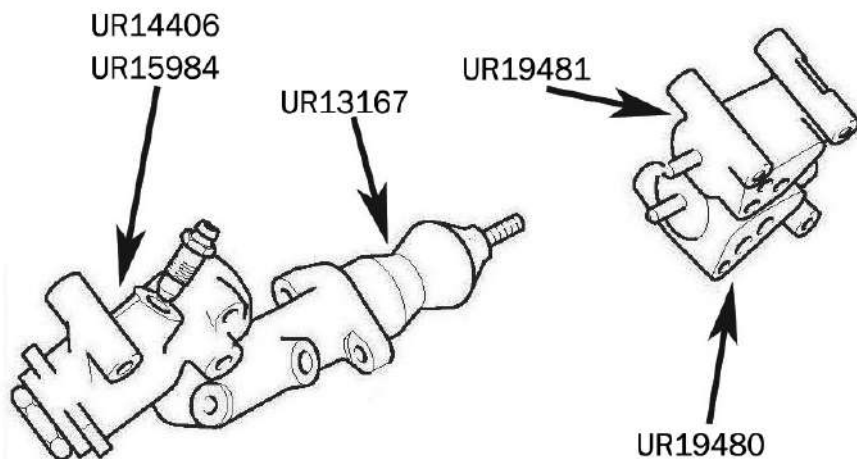
1001-41686	RR363 BRAKE FLUID (1 Litre)	RR363L1
1001-41686	BRAKE FLUID RESERVOIR GASKET	UR15985
1001-41686	BRAKE FLUID RESERVOIR FILTER	UR15542
1001-41686	BRAKE RESERVOIR SIGHT GLASS (2 per reservoir)	UR13120
1001-41686	BRAKE RESERVOIR SIGHT GLASS SCREW (4 per reservoir)	UR13121
1001-41686	BRAKE RESERVOIR SIGHT GLASS SEAL (2 per reservoir)	SPC1958
1001-41686	BRAKE RESERVOIR CAP (2 per reservoir)	CD558
1001-41686	BRAKE RESERVOIR CAP CORK SEAL	CD558CORK
1001-41686	BRAKE FLUID LEVEL REED SWITCH (2 per reservoir)	UR17894
1001-41686	FLOAT & MAGNET (Brake reservoir reed switch)	UR18259
1001-41686	SEAL (Between reed switch and anti-surge tower)	UR18402
1001-41686	WASHER (Reed switch to reservoir)	XB1080R



## BRAKES - RAT TRAP

### Master Cylinder, Distribution Valves & G Valves

1001-22118	MASTER CYLINDER	UR13167
1001-22118	MASTER CYLINDER SEAL KIT	CD4151
1001-6995	G VALVE	UR14406
6996-41686	G VALVE	UR15984
1001-41686	G VALVE SEAL KIT	CD4820
1001-41686	UPPER DISTRIBUTION VALVE	UR19481
1001-41686	LOWER DISTRIBUTION VALVE	UR19480



### Brake Fluid, Switches & Pedal Rubbers

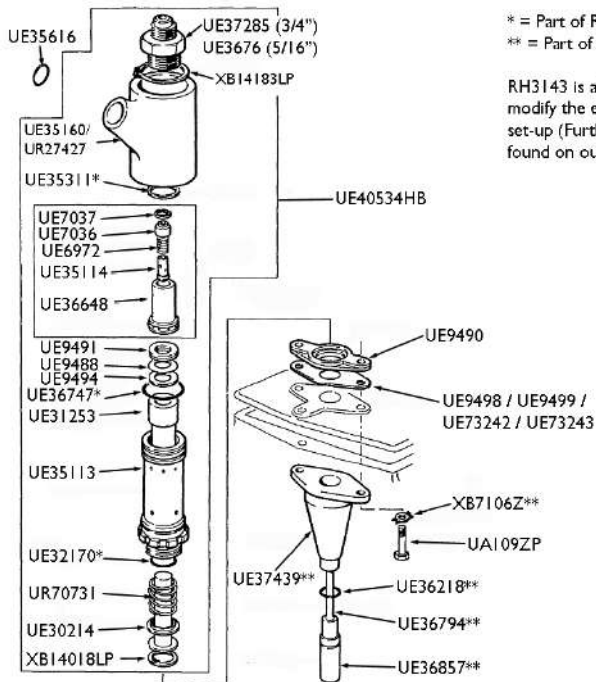
1001-41686	RR363 BRAKE FLUID (1 Litre)	RR363L1
1001-26708	BRAKE LIGHT SWITCH	DW236
1001-41686	BRAKE LIGHT SWITCH CONTACT	DB525
1001-41686	BRAKE LIGHT SWITCH PLUNGER	DW233
30001-41686	BRAKE LIGHT SWITCH	UR19476
1001-41686	ROLLS-ROYCE BRAKE PEDAL RUBBER	UR5141
1001-41686	BENTLEY BRAKE PEDAL RUBBER	UR5140

## BRAKES - BRAKE PUMPS

The part numbers on the diagram below relate to cars from VIN 20755 onwards. Models before this VIN were fitted with a solid brake pump push rod housing and different length push rod. From VIN 12400 (approx) the diameter of the solid pipe between the brake pumps and the accumulators was increased. Accordingly the union on the high pressure pipe that fits onto the brake pumps was increased from 5/16" to 3/4". Please check which size union your pipes have prior to ordering. The accumulator pipes we supply (UR18568P, UR20925P and UR17518P) are all suitable for the later union pumps. The brake pumps can be removed in situ by using tool RH8428. Should you need to access the push rod and housing below the pump you will need to remove the carburetters and inlet manifold.

### Brake Pumps & Push Rods

1001-12400	BRAKE PUMP (3/4" union on high pressure brake pipe)	UE40534HB
12448-41686	BRAKE PUMP (5/16" union on high pressure brake pipe)	UE34327
1001-41686	BRAKE PUMP FEED PIPE O RING	UE35616
1001-41686	BRAKE PUMP SEAL KIT	RH2438
1001-41686	BRAKE PUMP BODY O RING (2 per pump)	UE36747
1001-41686	BRAKE PUMP INTERNAL SPRING	UR70731
1001-41686	INLET VALVE SPRING	UE9488
1001-41686	BRAKE PUMP HOUSING	UE35160
1001-41686	BRAKE PUMP REMOVAL TOOL	RH8428
1001-41686	LOAN OF BRAKE PUMP REMOVAL TOOL	RH8428LOAN
1001-20755	MODIFIED PUSH ROD KIT	RH3143
11688-41686	BRAKE PUMP PUSH ROD	UE36794
11688-41686	PUSH ROD CAM FOLLOWER O RING	UE36218



\* = Part of RH2438  
\*\* = Part of RH3143

RH3143 is a kit of parts to modify the early push rod set-up (Further details can be found on our website).

### BRAKE PUMP ASSEMBLY (From VIN 20755)

# BRAKES - ACCUMULATORS

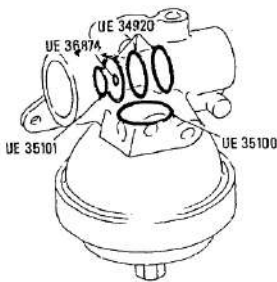
## Accumulator Spheres

1001-26708	BRAKE ACCUMULATOR SPHERE	RH2390
30001-41686	BRAKE ACCUMULATOR SPHERE	UE37237
1001-41686	ACCUMULATOR SPHERE SEAL KIT	RH2619
1001-41686	WARNING PLATE (Brake accumulator sphere)	UE10381
1001-41686	O RING (Brake accumulator sphere to valve body - included in RH2619)	UE35100

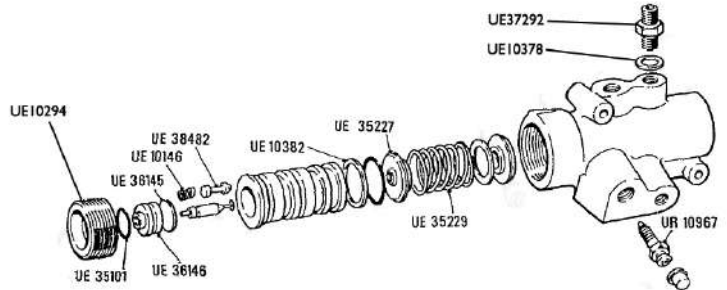
## Accumulator Valves

1001-26708	ACCUMULATOR VALVE BODY	UE37583
30001-41686	ACCUMULATOR VALVE BODY	UE35843
1001-41686	ACCUMULATOR VALVE BODY SEAL KIT	RH2435
1001-41686	O RING (Brake accumulator sphere to valve body - included in RH2435)	UE35100
1001-41686	BLEED NIPPLE	UR10967
1001-41686	SEALING DISC (Accumulator valve body)	UE36145
1001-41686	NON-RETURN VALVE (Accumulator valve body)	UE38482
1001-41686	SPRING (Non-return valve)	UE10146
1001-41686	BALL HOUSING (Accumulator valve body)	UE35227
1001-41686	BOBBIN (Accumulator valve body)	UE36146
1001-41686	BACK UP WASHER (Accumulator valve body)	UE10382
1001-41686	SPRING (Accumulator valve body)	UE35229
1001-41686	LOAN OF TOOL FOR REMOVAL OF ACCUMULATOR VALVE BODY PLUG	UE10294LOAN

### Location of Seals in Kit RH2435



### Internal Components of Brake Accumulator Valve Bodies



## Pressure Switches

1001-20754	BRAKE PRESSURE SWITCH (with Lucar terminal)	UD17893
1001-41686	BRAKE PRESSURE SWITCH	UD18723
1001-41686	DIAPHRAGM (Brake pressure switch)	UD18721
1001-41686	PLUNGER (Brake pressure switch)	UD17876
1001-41686	SEALING WASHER	XB1078R

## COOLING SYSTEM - WATER PUMPS

### Water Pump

1001-11218*	WATER PUMP	UE32598
11219-26708*	WATER PUMP	UE37287
30001-41686	WATER PUMP	UE41094
1001-41686	WATER PUMP O RING	UE9671
1001-41686	WATER PUMP REBUILD KIT	RH10166
1001-41686	MAIN WATER PUMP INTERNAL SEAL	UE5352
1001-41686	COVER (For internal seal)	CK3859

### Viscous Coupling

7699-11218*	VISCOUS COUPLING	UE32842
11219-26708*	VISCOUS COUPLING	UE37061
30001-41686	VISCOUS COUPLING	UE40167

### Fan

1001-7698*	COOLING FAN (Cars without air conditioning)	RE6060
1001-7698*	COOLING FAN (Cars with air conditioning but no viscous coupling)	UE32635
7699-26708*	COOLING FAN	UE36998
30001-41686	COOLING FAN	UE40358

### Thermostat

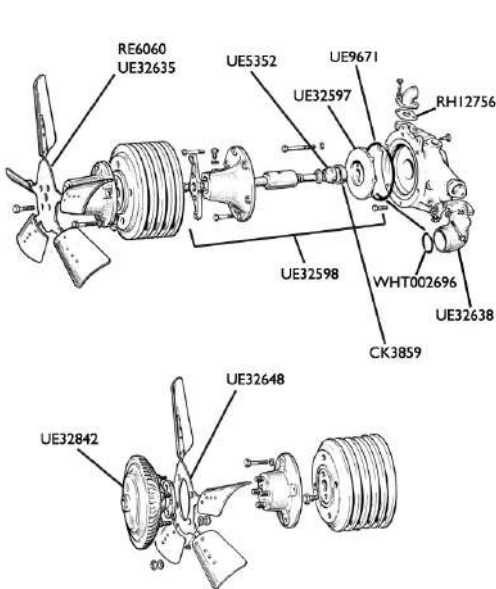
1001-41686	THERMOSTAT (Opens at 88°C)	UE36600
1001-41686	THERMOSTAT (Modified to open at 78°C)	UE36600-78
1001-41686	THERMOSTAT GASKET	UE73635

### Coolant Temperature Transmitters

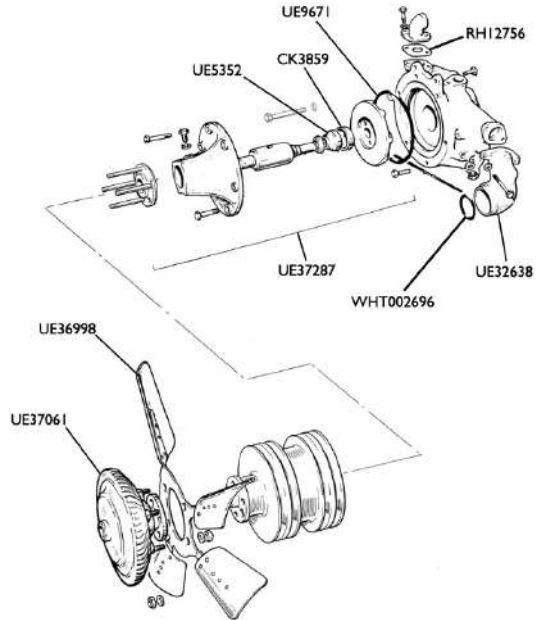
1001-26708	COOLANT TEMPERATURE GAUGE SENDER	UD11662
30001-41686	COOLANT TEMPERATURE GAUGE SENDER	UE40361
11882-41686	COOLANT OVERHEAT SENSOR IN CYLINDER HEAD	UE37357

# COOLING SYSTEM - WATER PUMPS

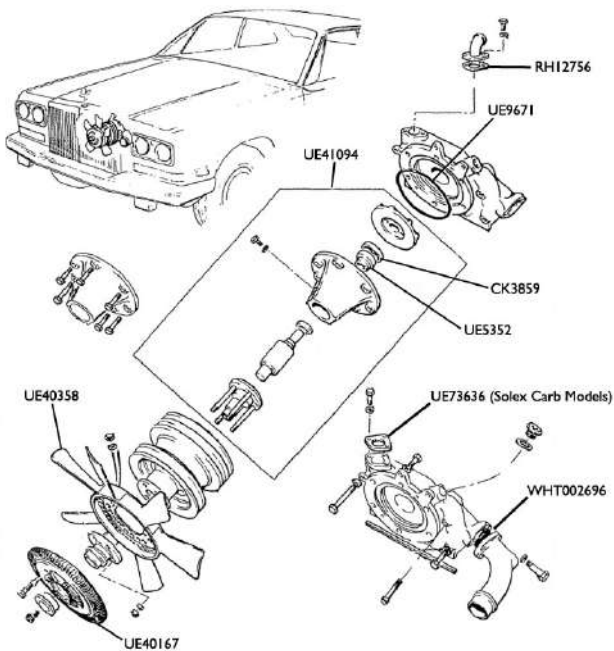
## VIN 1001 - 11218



## VIN 11219 - 26708



## VIN 30001 - 41686



## COOLING SYSTEM - HOSES

### Coolant Hoses

From VIN 1001 to 13845:

1001-13845	TOP HOSE	1	UR17762
1001-13845	BOTTOM HOSE	2	UR14105
1001-13845	BYPASS HOSE	3	UR17761
1001-13845	RADIATOR ESCAPE HOSE	4	UR14497
1001-13845	BLEED HOSE (Header tank to radiator)	5	UR17760

From VIN 13486 to 26708:

13486-26708	TOP HOSE	1	UR17762
13486-26708	BOTTOM HOSE	2	UR17759
13486-26708	BYPASS HOSE	3	UR17761
13486-26708	RADIATOR ESCAPE HOSE	4	UR14497
13486-26708	BLEED HOSE (Header tank to radiator)	5	UR17760

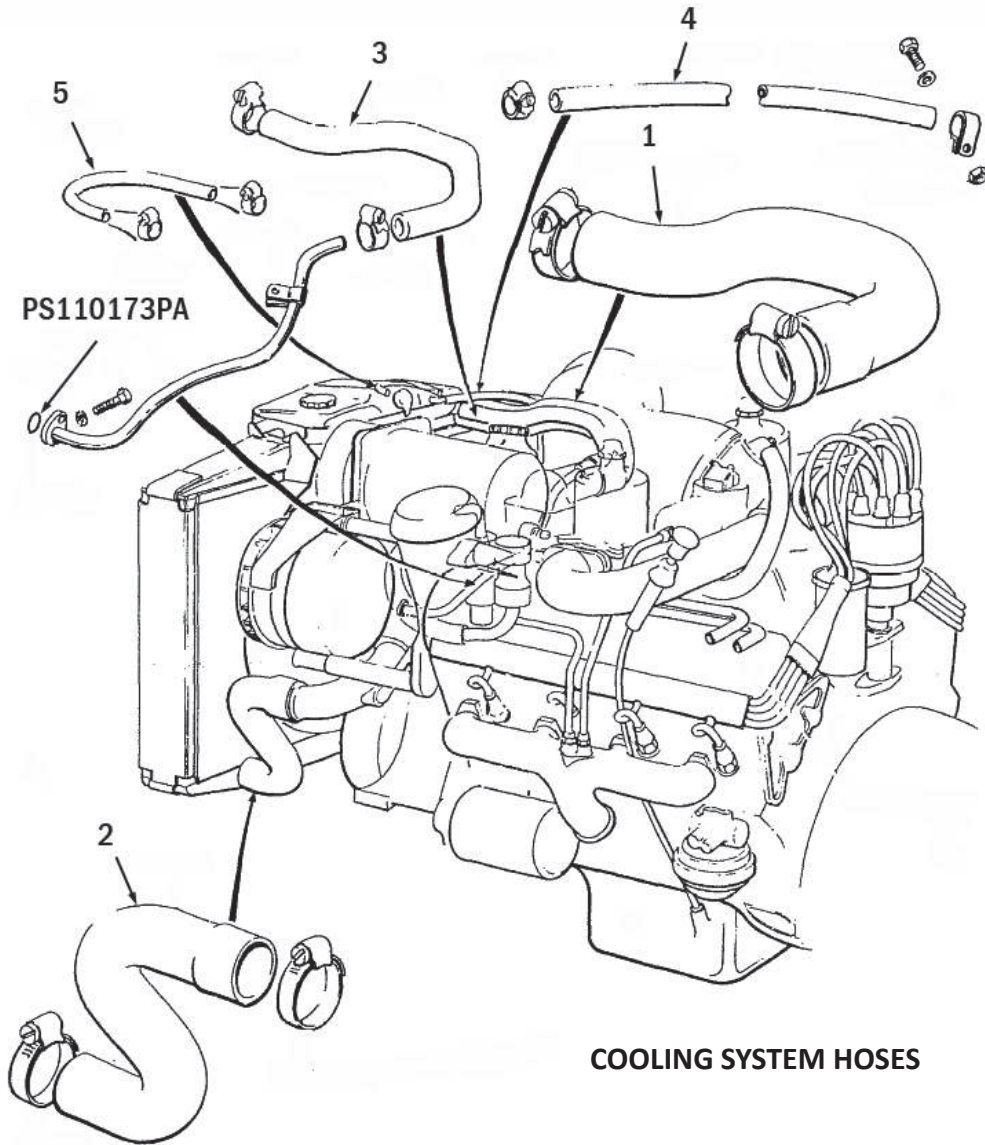
From VIN 30001 to 40193:

30001-40193	TOP HOSE	1	UR17808
30001-40193	BOTTOM HOSE	2	UR17807
30001-40193	BYPASS HOSE	3	UR17761
30001-40193	RADIATOR ESCAPE HOSE	4	UR14497
30001-40193	BLEED HOSE (Header tank to radiator)	5	UR18549

From VIN 40194 to 41686:

40194-41686	TOP HOSE	1	UE42302
40194-41686	BOTTOM HOSE	2	UR17807
40194-41686	BYPASS HOSE	3	UR17761
40194-41686	RADIATOR ESCAPE HOSE	4	UR14497
40194-41686	BLEED HOSE (Header tank to radiator)	5	UR18549

# COOLING SYSTEM - HOSES





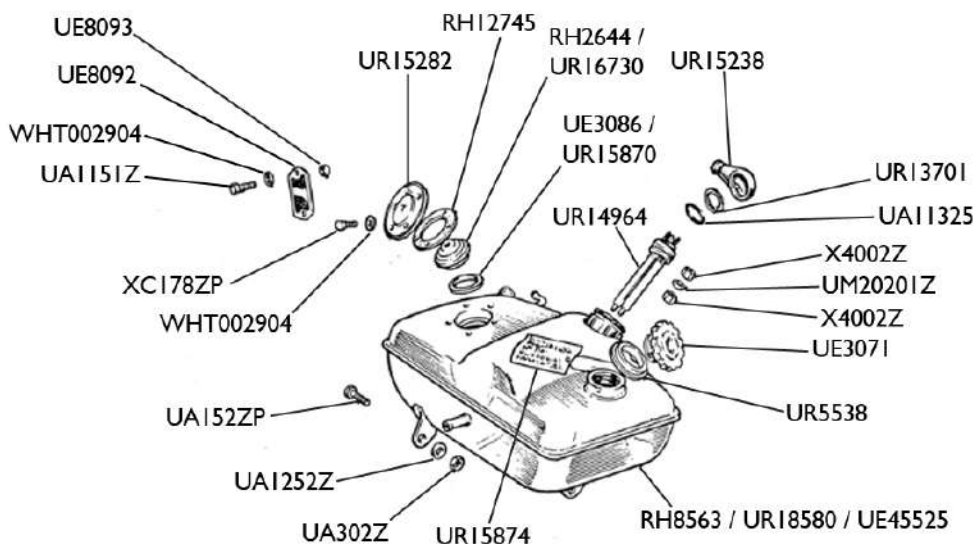
## COOLING SYSTEM - RADIATORS & HEADER TANKS

### Radiators

1001-8861*	RADIATOR (Without studs for fan cowl)	UR13627
9001-13607*	RADIATOR (With studs for fan cowl)	UR16167
13608-26708*	RADIATOR	UR17751
30001-41686	RADIATOR	UR18102
1001-41686	COOLANT (5 Litres)	UE70936L5

### Header Tanks

1001-7332	HEADER TANK	RH8563
1001-7332	STEAM VALVE (7 PSI)	RH2644
1001-7332	STEAM VALVE SEAL	UE3086
7333-26708	HEADER TANK	UR18580
7333-41686	STEAM VALVE (15 PSI)	UR16730
7333-41686	STEAM VALVE SEAL	UR15870
30001-41686	HEADER TANK	UE45525
1001-41686	STEAM VALVE COVER GASKET	RH12745
1001-41686	RADIATOR CAP	UE3071
1001-41686	RADIATOR CAP SEAL	UR5538
1001-41686	HEADER TANK PROBE	UR14964
1001-41686	HEADER TANK PROBE O RING	UA11325
1001-41686	HEADER TANK PROBE RUBBER BOOT	UR15238



## ELECTRICAL - STARTER & ALTERNATOR

### Battery

1001-41686	BATTERY TOP COVER	UD17524
1001-41686	LOWER BATTERY COVER	UD20544FC
1001-41686	BATTERY CUT-OFF MASTER SWITCH	UD22765
1001-41686	BATTERY BOX STRAP	UD11931

### Dynamos, Alternators & Regulators

1001-4000	C48 DYNAMO	UD4341
1001-4000	C48 ALTERNATOR CONVERSION	UD4341ALT
1001-4000	RB340 VOLTAGE REGULATOR	RH9196
4001-7411	ALTERNATOR (Lucas 11AC)	UD11964
4001-7411	VOLTAGE REGULATOR (Lucas 4TR - For Alternator UD11964)	UD11403
7412-41686	CAV ALTERNATOR	UE41719
7412-26708	CAV 440 REGULATOR	UD15154
30001-41686	VOLTAGE REGULATOR	UD21370

### Starter Motors

1001-9000	STARTER SWITCH (Original push button type)	UD4181
1001-41686	STARTER SOLENOID	RH8312
1001-4548	LUCAS STARTER MOTOR (4 Speed Cars)	UD10513
1001-41686	LUCAS STARTER MOTOR (3 Speed cars)	UE38856
1001-41686	LUCAS STARTER MOTOR BRUSH SET	CD4751
1001-41686	STARTER MOTOR (Nippon Denso)	UE46348
1001-41686	STARTER MOTOR RELAY	UD19797

## ELECTRICAL - WINDOW LIFT

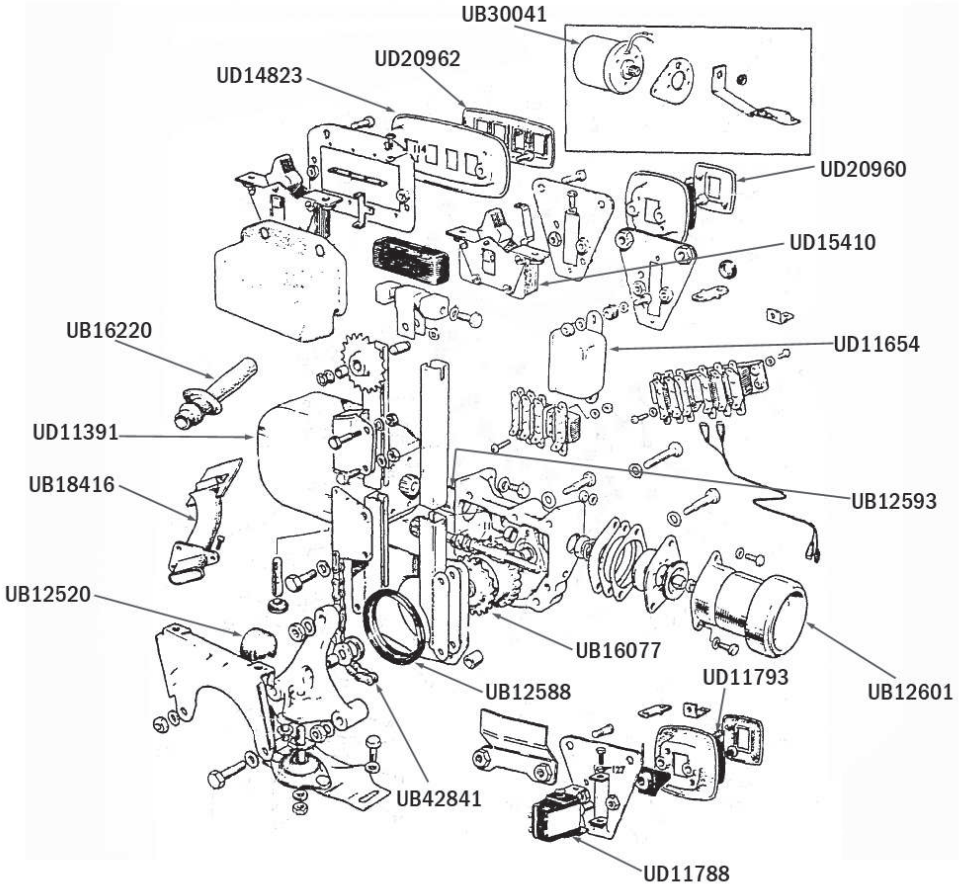
### Window Lift Assembly - 4 Door Cars From VIN 1001 to 36421

1001-13753	SQUARE WINDOW LIFT MOTOR	UD11391
13754-36421	ROUND WINDOW LIFT MOTOR (Cog drive)	UB30041
1001-36421	DRIVEN WHEEL & SPROCKET (Electric window lift)	UB16077
1001-41686	BRAKE SOLENOID (Electric window lift)	UB12601
1001-36421	CHAIN (Electric window lift)	UB42841
1001-36421	LINK (Electric window lift chain)	UB42842
1001-36421	DUST SEAL	UB12588
1001-36421	PLASTIC COUPLING	UB12593
1001-36421	STOP (Window lift bracket)	UB12520
1001-41686	CHROME COVER PLATE (Single window switch)	UD20960
1001-41686	CHROME COVER PLATE (Drivers window switches)	UD20962
1001-41686	CHROME WINDOW SWITCH SURROUND (Drivers door)	UD14823
1001-41686	CHROME ESCUTCHEON RETAINER	UD11793
1001-9000	ELECTRIC WINDOW LIFT SWITCH	UD11788
9001-41686	MICROSWITCH (Windowlift )	UD15410
9001-13753	WINDOW LIFT SWITCH ASSEMBLY	UD17969
13754-41686	WINDOW LIFT SWITCH ASSEMBLY	UD75822
9001-41686	FRONT DOOR WIRING CONDUIT	UB18416
9001-41686	REAR DOOR WIRING CONDUIT	UB16220
1001-36421	LUCAS 6RA RELAY	UD11654

### Piper Window Lift (2 Door Cars Before VIN 22700 approx)

1001-22700	PIPER WINDOW LIFT MOTOR	PW50388
1001-22700	PIPER MOTOR GEAR & SHAFT	RH9060
1001-22700	COVER FOR EMERGENCY WINDOW HANDLE (Corniche)	PW10411

# ELECTRICAL - WINDOW LIFT

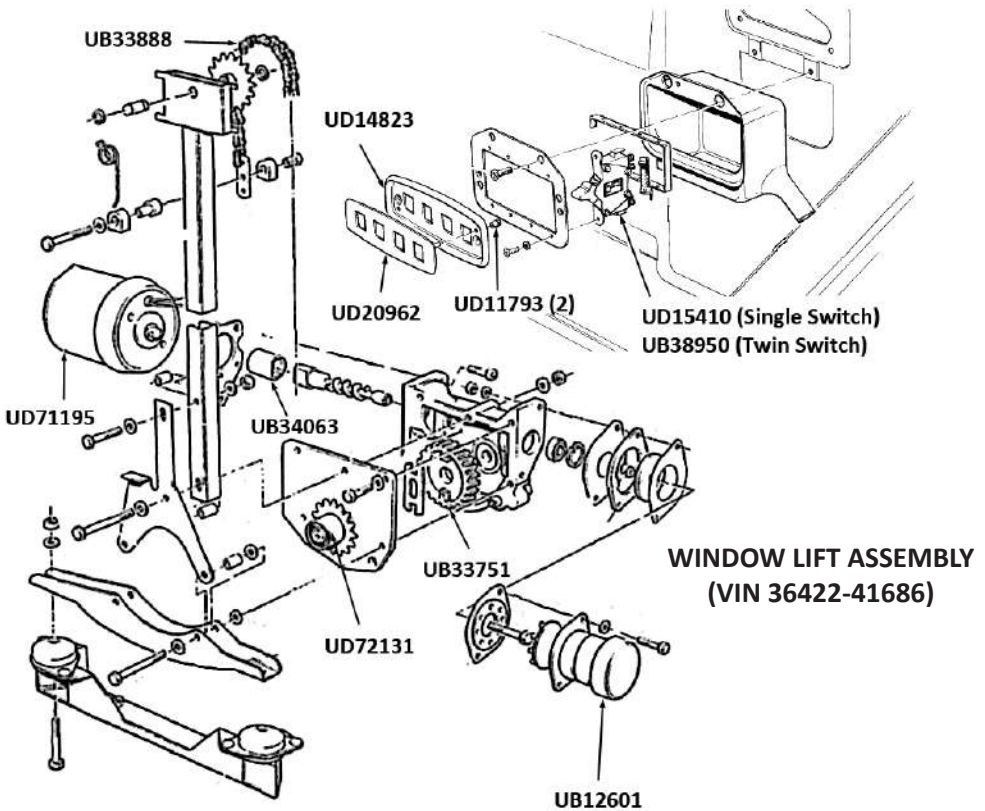


**WINDOW LIFT ASSEMBLY  
(VIN 1001-36421)**

# ELECTRICAL - WINDOW LIFT

Window Lift Assembly - 4 Door Cars From VIN 36422 to 41686

36422-41686	ROUND WINDOW LIFT MOTOR (Pin drive)	UD71195
36422-41686	BUSH & SPROCKET (Window lift mechanism)	UD72131
1001-41686	BRAKE SOLENOID (Electric window lift)	UB12601
36422-41686	WORMWHEEL (Electric window lift gearbox)	UB33751
36422-41686	PLASTIC COUPLING (Window lift motor to wormshaft in gearbox)	UB34063
36422-41686	CHAIN (Window lift mechanism)	UB33888
1001-41686	CHROME COVER PLATE (Single window switch)	UD20960
1001-41686	CHROME COVER PLATE (Drivers window switches)	UD20962
1001-41686	CHROME WINDOW SWITCH SURROUND (Drivers door)	UD14823
1001-41686	CHROME ESCUTCHEON RETAINER	UD11793
13754-41686	MICROSWITCH (Windowlift)	UD15410
13754-41686	WINDOW LIFT SWITCH ASSEMBLY	UD75822
9001-41686	FRONT DOOR WIRING CONDUIT	UB18416
9001-41686	REAR DOOR WIRING CONDUIT	UB16220



## ELECTRICAL - LAMPS

### Headlamps

1001-41686	INNER HEADLAMP RHD & LHD (Sealed beam with halogen bulb)	UD21663
1001-41686	OUTER HEADLAMP RHD (Sealed beam with halogen bulb)	UD21664
1001-41686	OUTER HEADLAMP LHD (Sealed beam with halogen bulb)	UD21666
1001-41686	HEADLAMP SEAL (Twin headlamp to rim)	UD11630
1001-41686	HEADLAMP RELAY	UD11471

### Front Indicator / Side Lights

1001-41686	FRONT INDICATOR / SIDE LIGHT ASSEMBLY	UD17813
1001-41686	CLEAR LENS (Front Side/ Indicator Light)	CD3115
1001-41686	AMBER LENS (Front Side/ Indicator Light)	CD3119
1001-41686	SEAL FRONT SIDELIGHT LENSES	CD3116
1001-41686	GASKET SIDELIGHT TO WING	CD4861
1001-41686	BULB (12V / 24W)	RF4518
1001-41686	BULB (12V / 21W)	UD1354

### Fog Lights

1001-11000	MARCHAL FOG LAMP	UD15365
1001-41686	SQUARE 8 FOG LAMP (Chrome Body)	UD22205FOGC
1001-41686	SQUARE 8 SPOT LAMP (Chrome Body)	UD22205SPOTC
1001-41686	SQUARE 8 SPOT LAMP (Plastic Body)	UD22205
1001-41686	COVER SQUARE 8 LAMP	UD22205CVR
1001-41686	BULB (Fog lamp)	CD5344
22118-41686	BOSCH REAR FOG LAMP	UD21172
1001-41686	BULB (Rear fog lamp - 12V / 21W)	UD1354

### Wing Repeater & Side Marker Lights

1001-41686	SIDE MARKER LIGHT (Clear lens)	UD16696
1001-41686	CLEAR LENS (Front Side Marker Lamp)	CD5389
1001-41686	SIDE MARKER LIGHT (Red lens)	UD14867
1001-41686	RED LENS (Rear Side Marker Lamp)	CD5387
1001-41686	SIDE MARKER LIGHT (Amber lens)	UD16694
1001-41686	AMBER LENS (Side marker light)	CD5391
1001-41686	CAPLESS BULB (12V / 3W - Side marker lamp )	UD15188
1001-41686	FRONT WING REPEATER LAMP	UT13795PC
1001-41686	AMBER LENS (Wing Repeater Lamp)	CD4856
1001-41686	BULB (12V / 4W - Wing repeater lamp)	UD11624

## ELECTRICAL - LAMPS

### Two Lens Rear Lamps

1001-13753	REAR LAMP ASSEMBLY	UD17066
1001-13753	AMBER LENS (2 Lens Rear Lamp)	CD5136
1001-13753	RED LENS (2 Lens Rear Lamp)	CD5137
1001-41686	BULB (12V / 21W - Indicator Lamp)	UD1354
1001-41686	BULB (12V 21/5W - Stop lamp)	RD6602

### Reverse Lamp

1001-13753	REVERSE LAMP ASSEMBLY	UD14980
1001-13753	CLEAR LENS (Round Reverse Lamp)	CD3616
1001-13753	BULB (12V / 21W)	UD1354

### Three Lens Rear Lamp

13754-41686	REAR LAMP ASSEMBLY	UD17971
13754-41686	AMBER LENS (3 Lens Rear Lamp)	CD5742
13754-41686	CLEAR REVERSE LENS (3 Lens Rear Lamp)	CD5714
13754-41686	RED LENS (3 Lens Rear Lamp)	CD5712
13754-41686	REAR LAMP GASKET (Internal)	CD4866
13754-41686	REAR LAMP GASKET (External)	CD4867
13754-41686	BULB (12V / 21W - Indicator & Reverse Lamp)	UD1354
13754-41686	BULB (12V 21/5W - Stop lamp)	RD6602

### MPW & Corniche Rear Lamp

1001-41686	REAR LAMP ASSEMBLY	UD74955
1001-41686	RED REAR LENS (Corniche)	PW51937
1001-41686	AMBER REAR LENS (Corniche)	PW50971
1001-41686	BULB (12V / 21W - Indicator Lamp)	UD1354
1001-41686	BULB (12V 21/5W - Stop lamp)	RD6602

### Number Plate Lamp

1001-26708	NUMBER PLATE LAMP	UD12152
30001-41686	NUMBER PLATE LAMPS	UD21191
1001-41686	BULB (12V / 6W - Number plate lamp)	RD4997

## ELECTRICAL - WIPERS & WASHERS

### Windscreen Wiper Motors, Switches & Control Units

1001-7518	WIPER MOTOR 6W	CD5123
7519-13753	WIPER MOTOR 16W (Less gear)	CD5612
13754-26708	WIPER MOTOR 16W (Less gear)	CD5708
30001-41686	WIPER MOTOR 29W (Less gear)	CD5950
9001-26708	WASH / WIPE CONTROL UNIT	UD18370
9001-26708	INTERMITTENT WIPER CONTROL UNIT	UD18361
30001-41686	INTERMITTENT WASH / WIPE CONTROL UNIT	UD21360
1001- 9000	WIPER SWITCH	UD11353
9001-26708	WIPER SWITCH	UD16588
30001-41686	WIPER SWITCH	UD21269
30001-41686	WASHER FLUID LEVEL AMPLIFIER	UD20625

### Windscreen Washer

1001-3000*	LUCAS SQUARE GLASS WASHER BOTTLE ASSEMBLY	UD6152
1001-3000*	RUBBER CAP (Washer bottle)	CD1707
3000-7000*	LUCAS PLASTIC WASHER BOTTLE ASSEMBLY	UD13144
7001-11000*	LUCAS PLASTIC WASHER BOTTLE	UD13145
3000-11000*	WASHER PUMP & MOTOR (Cars with rounded plastic Lucas washer bottle)	CD6663
7001-12500*	TUDOR PLASTIC WINDSCREEN WASHER BOTTLE	CD5239
7001-12500*	WINDSCREEN WASHER PUMP	CD5862
7000-12500*	TRICO PLASTIC WASHER BOTTLE	CD5494
7000-12500*	TRICO PLASTIC WASHER BOTTLE CAP	CD5495
7000-12500*	WASHER PUMP IMPELLOR SERVICE KIT	CD5493
12500-26700*	TUDOR PLASTIC RECTANGULAR WASHER BOTTLE	CD5671
12500-26700*	WINDSCREEN WASHER PUMP	RH2582
12500-26700*	WASHER BOTTLE CAP	CD5854
1001-41686	WINDSCREEN WASHER JET	UD25615
1001-41686	SEALING WASHER (Windscreen washer jet)	UD2977



## ELECTRICAL - WIPERS, WASHERS & CDL

### Triangular Washer Bottle (From VIN 30001)

30001-34574*	WINDSCREEN WASHER BOTTLE ASSEMBLY (Single pump)	RH9821
34575-41686*	WINDSCREEN WASHER BOTTLE ASSEMBLY (Twin pump)	RH9822
30001-41686	FILLER NECK ( Windscreen washer bottle)	UD21833
22833-41686	WASHER BOTTLE CAP	CD5854
30001-41686	WINDSCREEN WASHER PUMP	CD5852
30001-41686	LUCAS 6RA RELAY	UD15493
30001-41686	INTERMITTENT WASH / WIPE CONTROL UNIT	UD21360
30001-41686	WASHER FLUID LEVEL AMPLIFIER	UD20625

### Headlamp Washers & Wipers

34575-41686	HEADLAMP WIPER MOTOR (Less gear)	CD5849
34575-41686	GEAR (Headlamp wiper motor)	CD5850
34575-41686	HEADLAMP WIPER ARM	UD25595
30001-41686	CHROME ESCUTCHEON (Wiper arm)	UD11117
34575-41686	HEADLAMP WASHER JET	UD21749
30001-41686	WINDSCREEN WASHER PUMP	CD5852

### Central Door Locking

9001-41686	DOOR LOCKING SOLENOID	UB19115
9001-41686	CDL SWITCH ASSEMBLY	UD19281
9001-41686	CDL MICROSWITCH	UD17929
9001-41686	KNOB (CDL rocker switch)	UD17603
9001-41686	CDL CHROME H PLATE (Flat)	UD17137
9001-41686	CDL CHROME H PLATE (With thin raised section)	UD18382
9001-41686	CDL CHROME H PLATE (With wider raised section)	UD21375
1001-41686	CHROME ESCUTCHEON RETAINER	UD11793

### Seat Electrics

6001-41686	RH SEAT SWITCH	UD21792
6001-41686	LH SEAT SWITCH	UD21791
1001-41686	SEAT MOTOR	CD4983
1001-41686	LUCAS SEAT RELAY	UD11469

## ELECTRICAL - SENDERS & RELAYS

### Senders & Transmitters

1001-26708	OIL PRESSURE GAUGE SENDER	RH13636
30001-41686	OIL PRESSURE GAUGE SENDER	UE40480
8742-41686	OIL PRESSURE WARNING LIGHT SENDER	UE44823
1001-41686	OIL LEVEL SENDER	UD15189
1001-41686	GASKET (Oil level sender)	UE73618
1001-26708	COOLANT TEMPERATURE GAUGE SENDER	UD11662
11882-41686	COOLANT OVERHEAT SENSOR IN CYLINDER HEAD	UE37357
30001-41686	COOLANT TEMPERATURE GAUGE SENDER	UE40361
30001-41686	SPEEDO TRANSDUCER	UD20990A1
30001-41686	OUTSIDE TEMPERATURE SENDER	UD22700
1001-25624	FUEL LEVEL SENDER	UR13591
25625-41686	FUEL LEVEL SENDER	UR19863
1001-41686	FUEL LEVEL SENDER GASKET	UR17396

### Fuses & Relays

1001-26708	BAKELITE FUSE	UD11522
1001-41686	10 AMP GLASS FUSE	UD11539
1001-41686	20 AMP GLASS FUSE	UD19102
1001-41686	30 AMP GLASS FUSE	UD11538
1001-41686	FUSE WIRE BOBBIN	RH2378
30001-41686	LUCAS 6RA RELAY	UD15493
1001-41686	FLASHER RELAY (8FL)	UD19256
1001-41686	STARTER MOTOR RELAY	UD19797
30001-41686	LUCAS 6RA RELAY (Air con & windscreen washer)	UD11654
1001-41686	LUCAS SEAT RELAY	UD11469

## ELECTRICAL - SWITCHES

### Heater & Air Con Switches

1001-5000*	HEATER & DEMISTER SWITCHES (Cars without air con)	UD15602
1001-11882*	AIR CONDITIONING SWITCHES	UD15604
11882-26708*	AIR CONDITIONING SWITCHES	UD17890
30001-33572	AIR CON SWITCH	UD20783
33573-41686	AIR CON SWITCH	UD22007
30001-41686	SPRING CLIP (To retain knob)	SPC1208

### Wiper Switches

1001-9000	WIPER SWITCH	UD11353
9001-26708	WIPER SWITCH	UD16588
30001-41686	WIPER SWITCH	UD21269
30001-41686	SPRING CLIP (To retain knob)	SPC1208

### Hazard Warning Switches

6001-11881*	HAZARD WARNING SWITCH	UD13893
11882-26708*	HAZARD WARNING SWITCH	UD12911
30001-41686	HAZARD WARNING SWITCH	UD20778

### Dashboard Switches

1001-6000	MAP & PANEL LIGHT SWITCH	UD11633
6001-41686	SPLIT PARKING LIGHT SWITCH	UD17082
6001-41686	PARK LIGHT SWITCH KNOB	UB16201
6001-8861	RADIO BALANCE CONTROL POTENTIOMETER	UD16520

### Indicator & Gear Selector Switches

1001-11861	INDICATOR SWITCH	UR16530
11862-26708	INDICATOR SWITCH	UR17184
30001-41686	INDICATOR SWITCH	UR22041
30001-41686	GEAR LEVER (except Australia)	UR21738

### Miscellaneous Switches

1001-9000	STARTER SWITCH (Original push button type)	UD4181
30001-41686	COOLING FAN SWITCH	RH3047
1001-41686	BONNET LIGHT SWITCH	UD12195
1001-41686	COURTESY LIGHT SWITCH	UD13040
1001-41686	COURTESY LIGHT SWITCH (Later type)	RH2772

## ELECTRICAL - DASHBOARD & INSTRUMENTS

### Aerial & Radio

1001-41686	AERIAL	PM59328PA
------------	--------	-----------

We have a large selection of radios & 8 track players. Please contact us for details.

### Cigar Lighter

1001-41686	CIGAR LIGHTER ELEMENT	UD5893
------------	-----------------------	--------

### Horns

1001-41686	HIGH TONE HORN	UD13457
1001-41686	LOW TONE HORN	RH12488

### Clocks

1001-26708	KIENZLE CLOCK	UD12451
1001-26708	KIENZLE CLOCK (With white seconds hand)	UD19360
1001-26708	KIENZLE CLOCK (With orange seconds hand)	UD18829
30001-41686	VDO CLOCK	UD21715

### Gauges

1001-6000	COOLANT TEMPERATURE GAUGE	UD11670
1001-26708	AMMETER SHUNT	UD11463
30001-41686	4 IN 1 GAUGE ASSEMBLY	UD23874
30001-41686	OUTSIDE TEMPERATURE GAUGE	UD21725
30001-41686	AMMETER GAUGE	CD6196
30001-41686	AMMETER SHUNT	UD18802
30001-41686	SCREW-IN BULB (14V, 0.56W)	UD15848

### Speedos & Cables

1001-26708	SPEEDOMETER (RR - 130 mph)	UD20162
1001-26708	SPEEDOMETER (RR - 220kph)	UD18204
1001-26708	BENTLEY T1 SPEEDO (130mph)	UD18205
1001-26708	BENTLEY T1 SPEEDO (220kph)	UD18206
1001-9000	SPEEDO CABLE (RHD Cars)	UD17256
1001-9000	SPEEDO CABLE (LHD cars)	UD17257
9001-26708	SPEEDO CABLE (Gearbox to cruise control regulator)	UD19951
9001-26708	SPEEDO CABLE (From cruise control regulator to speedo head - RHD cars)	UD19948
9001-26708	SPEEDO CABLE (From cruise control regulator to speedo head - LHD cars)	UD19949
30001-41686	SPEEDO HEAD (140mph)	UD22129
30001-41686	SPEEDO TRANSDUCER	UD20990A1

## ENGINE

The first SY models (up to VIN 8742) were fitted with the first L410 engine, the 6.2 litre version engine (similar to the Silver Cloud III & S3 models) with four-ringed pistons. These short stroke engines were denoted by an engine number stamped on the top of the front of the crankcase that started with SY, hence the Silver Shadow & Bentley T models being referred to as "SY" models.

From 1970 (VIN 8742) a longer stroke 6.7 litre engine was fitted, along with three-ringed pistons. These engines were identified by an engine number starting with SYL.

In 1979 (VIN 39628 approx) the later L410B engine was introduced, widely referred to as the B series engine. These engines were identified by an engine number starting with SZ. This engine was carried on into the Silver Spirit and Bentley Mulsanne models, which were subsequently referred to as the "SZ" models.

Many of the internal components of the engines in the range from 1965 to 1980 are the same; camshaft and tappets, cylinder liners, con rods, big and small end bearings. We try to stock as many engine components as possible including a wide range of OEM pistons, liners and bearings.

Our Technical Services Department recondition engines. We try to keep rebuilt engines on the shelf as well as offering a bespoke engine building service. All reconditioned engines are rig tested and recorded prior to despatch. When our Recycling team dismantle a car with a good running engine, it is tested in order for it to be offered for sale. If you are experiencing problems with the engine in your car please contact us to discuss what we can offer.

### Carburettor Gaskets - From VIN 1001 to 26708

1001-26708	GASKET (Carburettor to inlet manifold)	UE6175
1001-26708	GASKET (T piece to carbs)	RH13024
1001-26708	GASKET (Air intake to carbs - 4 per car)	UE6230
1001-26708	OVERHEAT REDUCTION KIT	RH13183KIT

### Carburettor Gaskets - From VIN 30001 to 41686

30001-41686	JOINT (Carburettor to inlet manifold)	RH13183
30001-41686	JOINT (Air intake ducts to carbs)	RH12785
30001-41686	GASKET (Induction T piece to carbs)	RH13076
12490-41686	GASKET (Induction T piece to hot idle valve housing)	RH12778

### Oil Filter - From VIN 1001 to 26708

1001-26708	OIL FILTER KIT (includes XB1093RP)	RH10003
1001-26708	SUMP PLUG WASHER	XB1093R
1001-26708	GASKET (Oil filter pedestal to crankcase & filter)	RH12750
1001-26708	SPIN-ON OIL FILTER MOD KIT	RH10003KIT

### Spin-On Oil Filters - From VIN 30001 to 41686

30001-41686	OIL FILTER	07V121717
30001-41686	SUMP PLUG WASHER	XB1093R
30001-41686	GASKET (Oil filter pedestal to crankcase & filter)	RH12750

### Transmitters

1001-26708	OIL PRESSURE GAUGE SENDER	RH13636
30001-41686	OIL PRESSURE GAUGE SENDER	UE40480
8742-41686	OIL PRESSURE WARNING LIGHT SENDER	UE33647
1001-26708	OIL LEVEL SENDER	UD15189
30001-41686	OIL LEVEL SENDER	UE794941
1001-41686	GASKET (Oil level sender)	UE73618

## ENGINE - GASKETS

Please see our website for information on head gasket options.

### Head Gaskets & Seals

1001-41686	DECOKE KIT	RH2379
------------	------------	--------

The following gaskets are supplied in kit RH2379:

1001-41686	CYLINDER HEAD GASKET (2 per engine)	UE31004 / 07V103147
1001-41686	EXHAUST MANIFOLD GASKET (8 per engine)	UE73544
1001-41686	INLET MANIFOLD GASKET (4 per engine)	RH12747
1001-41686	ROCKER COVER GASKET (2 per engine - original cork gasket)	UE4324
1001-41686	RUBBER BUSH (6 per engine - for rocker cover stud)	UE42838
1001-41686	COTTON VALVE STEM SEAL (16 per engine)	UE7428
1001-41686	THERMOSTAT GASKET	UE73635
1001-41686	TRIANGLE GASKET (2 per engine - original paper gasket)	UE4393
1001-41686	BYPASS GASKET	RH12756
1001-26708	GASKET (Carburettor to inlet manifold)	UE6175
1001-41686	BREATHER O RING	UE9453
1001-41686	SEALING RING	CK610
1001-41686	SUMP PLUG WASHER	XB1093R
1001-41686	ALUMINIUM WASHER (2 per car - carb float lid)	RE7289
1001-41686	FIBRE WASHER (2 per car - carb float lid)	RE7297
1001-41686	EARTHING STRIP (8 per engine - rocker cover)	UE34258
1001-41686	FEED PIPE GASKET (EGR system - US spec engines)	RH13071
1001-41686	EGR PIPE GASKET	RH13074
1001-41686	EGR VALVE MOUNTING GASKET (2 per engine)	UE75071
1001-41686	CARBURETTER GASKET (EGR cars)	RH13075

### Sump (Bottom End) Gaskets & Seals

1001-41686	SUMP GASKET KIT (containing UE73704P,UE73618P,CK865,XB1093RP)	RH10046
1001-41686	SUMP GASKET	UE73704
1001-41686	GASKET (Oil level sender)	UE73618
1001-41686	DIPSTICK O RING	CK865
1001-41686	SUMP PLUG WASHER	XB1093R
1001-41686	GASKET (Oil pick-up pedestal to crankcase)	UE73619
1001-41686	GASKET (Oil pump to crankcase)	UE73915
1001-41686	O RING (Oil pump pick-up pipe - 2 required)	UA13401R
1001-41686	O RING (Oil pump pick-up pipe)	SPC1468
1001-41686	O RING (Oil pump pick-up pipe)	SPC1469
1001-41686	RUBBER PLUG (Rear of front crank cover)	UE5735
1001-41686	GASKET (Oil filter pedestal to crankcase & filter)	UE5710

## ENGINE - GASKETS

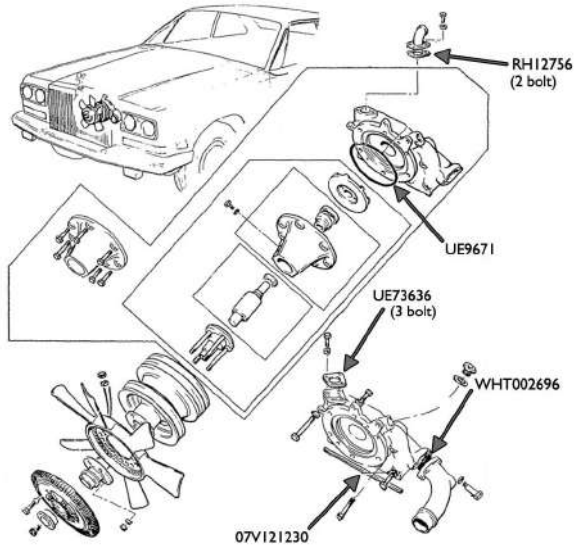
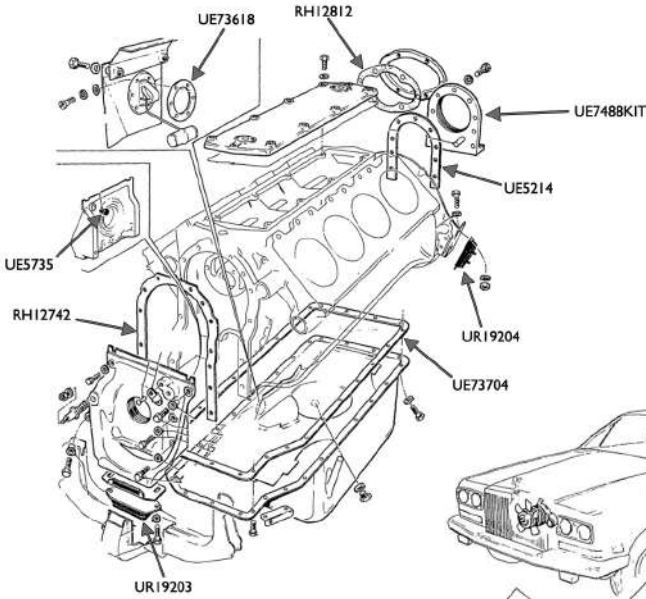
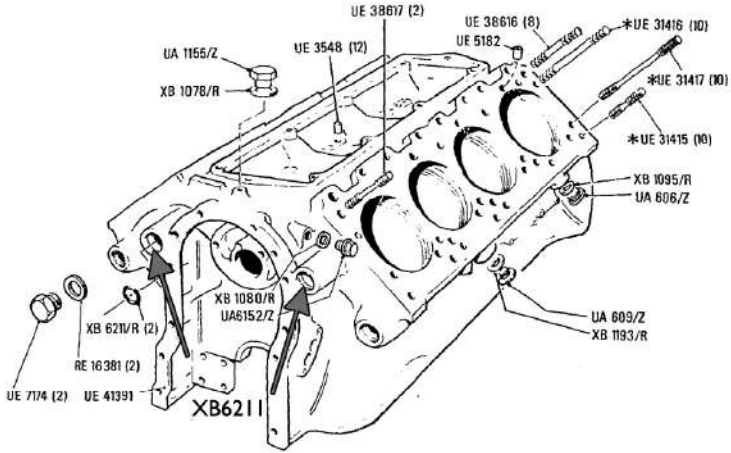
### Front of Engine Gaskets & Seals

1001-41686	TIMING COVER GASKET	RH12742
1001-41686	TIMING COVER SPONGE SEAL	07V121230
1001-41686	O RING (Timing cover)	WHT002930
1001-41686	RUBBER PLUG (Rear of front crank cover)	UE5735
1001-41686	WATER PUMP O RING	UE9671
1001-41686	O RING (Volute casing to inlet elbow)	WHT002696
1001-39627*	O RING (Volute casing to crankcase - 2 required)	XB6211
39628-41686*	O RING (Volute casing to crankcase - 2 required)	WHT007582
1001-41686	BYPASS GASKET	RH12756
31226-41686	BYPASS GASKET (Solex carb cars)	UE73636
1001-41686	BYPASS O RING (2 per bypass tube)	UE9333
39628-41686	FRONT CRANK SEAL	UE40939
1001-41686	TRIANGLE GASKET (Original paper gasket - 2 per engine)	UE4393
1001-41686	TRIANGLE GASKET (Modern gasket - 2 per engine)	07V103771
1001-41686	GASKET (Oil filter housing to crankcase gasket)	RH12750

### Rear of Engine Gaskets & Seals

1001-41686	HORSESHOE GASKET (Rear crank cover)	UE5214
1001-41686	REAR CAM SHAFT COVER GASKET	RH12812
1001-41686	HEATER PIPE BLANKING PLATE GASKET	RH12774
39628-41686	REAR CRANK SEAL	UE44273
1001-39627	REAR CRANK SEAL CONVERSION KIT	UE7488KIT
1001-39627	CRANKSHAFT SLEEVE	UE37777
1001-41686	DISTRIBUTOR PEDESTAL GASKET	UE7335
1001-41686	O RING (Distributor body to stem)	CD3063
1001-41686	O RING (Distributor locating plug)	UE7310

# ENGINE - GASKETS

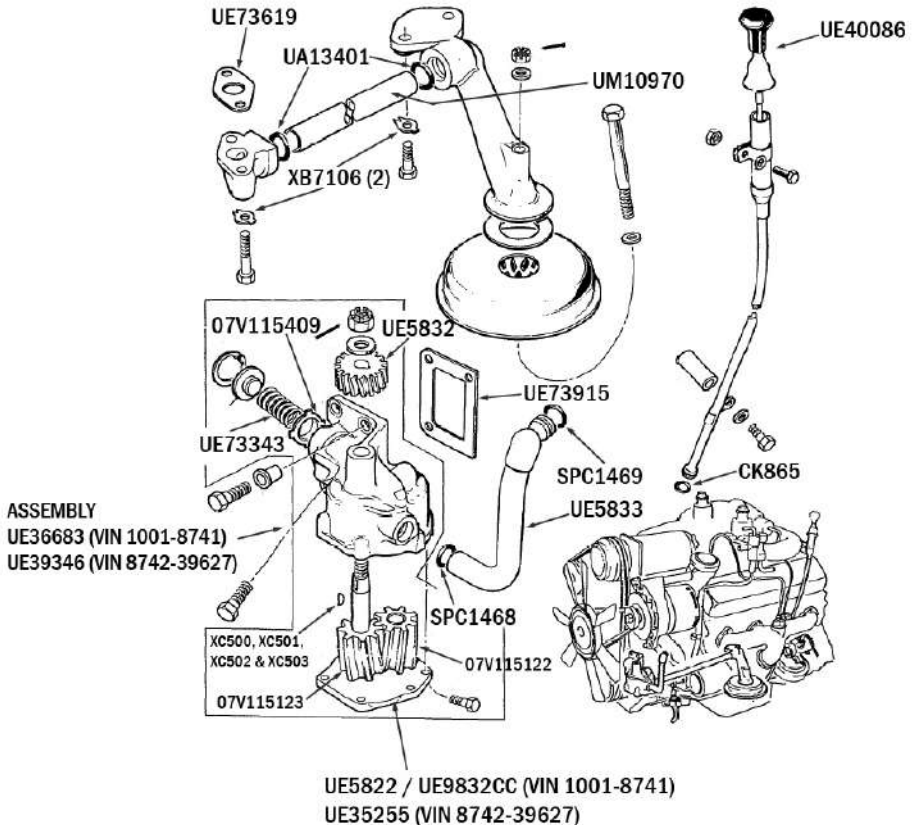




# ENGINE - OIL PUMP

Oil Pump - From VIN 1001 to 39627 approx

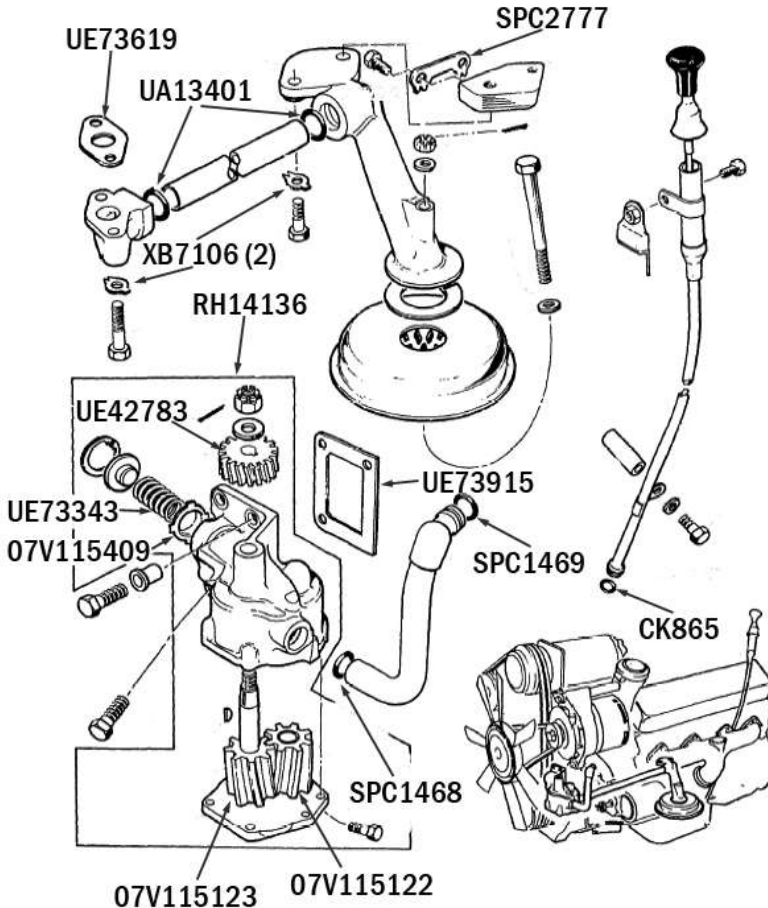
1001-8741*	OIL PUMP (With Bronze Drive Gear)	UE36626
8742-39627*	OIL PUMP (With Bronze Drive Gear)	UE39346
1001-39627*	BRONZE OIL PUMP DRIVE GEAR	UE5832
1001-39627*	STEEL OIL PUMP DRIVING GEAR (on crankshaft)	UE5767
1001-39627*	OIL PUMP PRESSURE RELIEF VALVE	07V115409
1001-39627*	SPRING (Pressure relief valve)	UE73343
1001-39627*	GASKET (Oil pump to crankcase)	UE73915
1001-39627*	GASKET (Oil pick-up pedestal to crankcase)	UE73619
1001-39627*	O RING (Oil pump pick-up pipe)	UA13401R
1001-39627*	O RING (Oil pump pick-up pipe)	SPC1468
1001-39627*	O RING (Oil pump pick-up pipe)	SPC1469
1001-39627*	OIL FILLER CAP CORK SEAL	RE15879
1001-39627*	1/4" LOCKTAB	XB7106R



# ENGINE - OIL PUMP

Oil Pump - From VIN 39628 approx to 41686

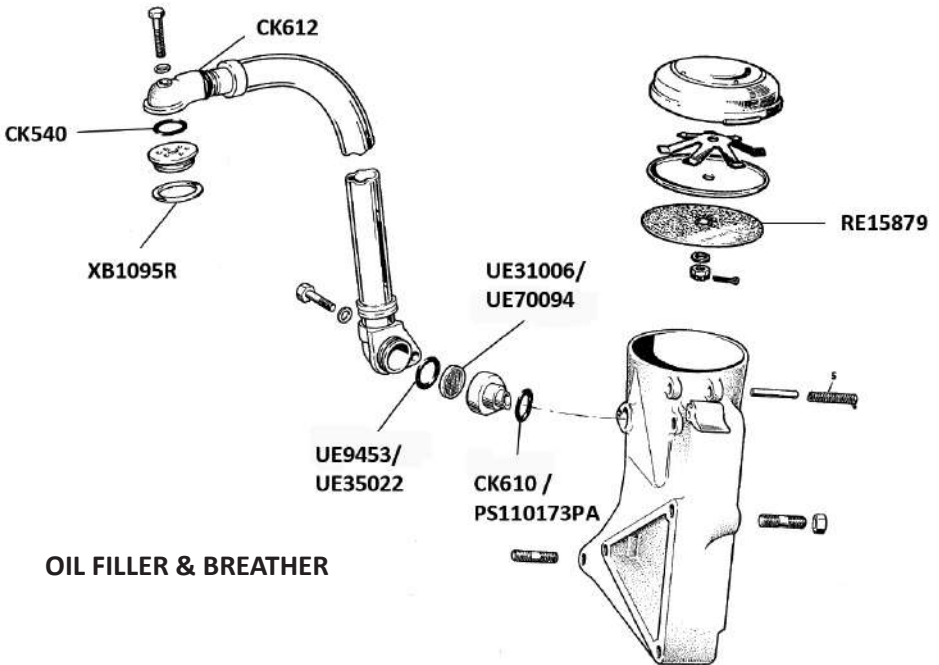
39628-41686*	OIL PUMP (With Steel Drive Gear)	RH14136
39628-41686*	STEEL OIL PUMP DRIVE GEAR	UE42783
39628-41686*	BRONZE OIL PUMP DRIVING GEAR (on crankshaft)	UE41034
39628-41686*	OIL PUMP PRESSURE RELIEF VALVE	07V115409
39628-41686*	SPRING (Pressure relief valve)	UE73343
39628-41686*	GASKET (Oil pump to crankcase)	UE73915
39628-41686*	GASKET (Oil pick-up pedestal to crankcase)	UE73619
39628-41686*	O RING (Oil pump pick-up pipe)	UA13401R
39628-41686*	O RING (Oil pump pick-up pipe)	SPC1468
39628-41686*	O RING (Oil pump pick-up pipe)	SPC1469
39628-41686*	OIL FILLER CAP CORK SEAL	RE15879
39628-41686*	1/4" LOCKTAB	XB7106R



# ENGINE - BREATHER

## Oil Filler & Breather

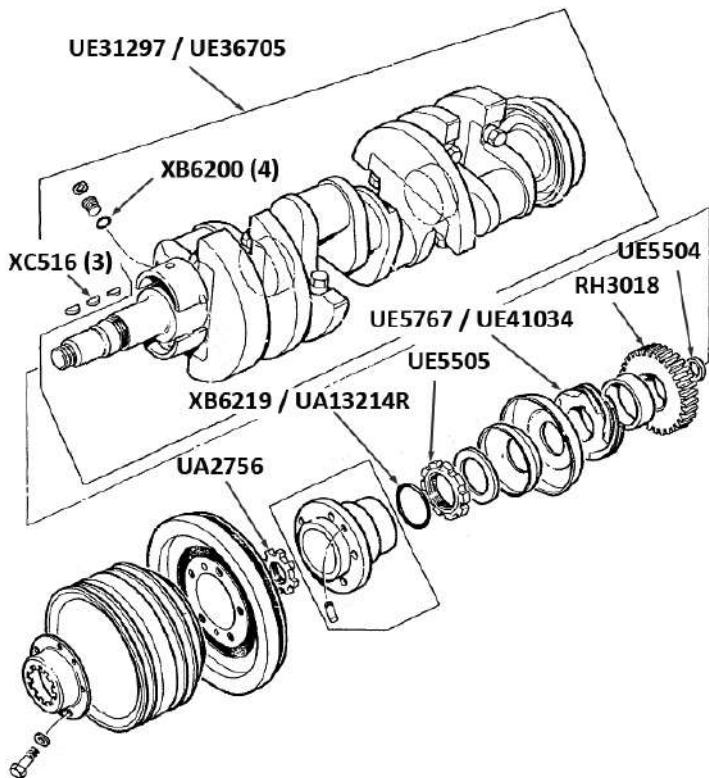
1001-41686	WASHER	XB1095R
1001-41686	BREATHER O RING	CK540
1001-41686	BREATHER O RING	CK612
1001-9000	BREATHER O RING	UE9453
9001-41686	BREATHER O RING	UE35022
1001-9000	FLAME TRAP	UE31006
9001-41686	FLAME TRAP	UE70094
1001-6000	SEALING RING (Filler neck)	CK610
6001-41686	O RING (Filler neck)	PS110173PA
1001-41686	OIL FILLER CAP CORK SEAL	RE15879
1001-41686	TRIANGLE GASKET (2 per engine - original paper gasket)	UE4393
1001-41686	TRIANGLE GASKET (Modern gasket)	07V103771



# ENGINE - CRANKSHAFT

## Crankshaft

1001-8741	CRANKSHAFT	UE31297
8742-39627*	CRANKSHAFT	UE36705
39628-41686*	CRANKSHAFT	UE42681
1001-26708	TIMING GEARS	RH3018
1001-39627*	O RING (Driving flange to crank)	XB6219
39628-41686*	O RING (Front crank flange)	UA13214R
1001-41686	O RING (Crank sludge trap)	XB6200
1001-41686	WOODRUFF KEY (Front of crankshaft - 0.188")	KC516
1001-41686	SLOTTED NUT (For retaining oil flinger)	UE5505
1001-41686	SLOTTED NUT (For retaining crank driving flange)	UA2756Z
1001-39627*	STEEL OIL PUMP DRIVING GEAR	UE5767
39628-41686*	BRONZE OIL PUMP DRIVING GEAR	UE41034
1001-41686	EXPANDING DISC (Front of crankshaft)	UE5504
1001-41686	FRONT CRANK PULLEY EXTRACTION TOOL	RH7097
1001-41686	SPANNER (For removal of front crankshaft flinger retaining nut UE5505)	RH7110
1001-41686	SERRATED SPANNER (For crankshaft driving flange nut UA2756Z)	RH7131



## ENGINE - PISTONS & LINERS

### 4 Ringed Pistons - From VIN 1001 to 8741

1001-8741	PISTON & RINGS (9.25:1 compression ratio)	UE31257
1001-8741	PISTON & RINGS (8:1 compression ratio)	UE33157
1001-8741	TOP PISTON RING	UE5691
1001-8741	CENTRE PISTON RING (2 per piston)	UE5692
1001-8741	OIL CONTROL RING	UE33334
1001-8741	SET OF RINGS (For 1 four ringed piston)	RH15163
1001-8741	SET OF RINGS (For 8 four ringed pistons)	RH15163SET

### 3 Ringed Pistons - From VIN 8742 to 22117

8742-22117	PISTON & RINGS (9:1 compression ratio)	UE46305
14954-20754	PISTON & RINGS (8:1 compression ratio - N America)	UE46310
20755-41686	PISTON ASSEMBLY (A Bank - 7.3:1 compression ratio - N America)	UE39155
20755-41686	PISTON ASSEMBLY (B Bank - 7.3:1 compression ratio - N America)	UE39157
8742-22117	TOP COMPRESSION RING	UE45859
8742-22117	CENTRE COMPRESSION RING	UE35831
8742-22117	OIL CONTROL RING	UE33334
14954-20754	OIL CONTROL RING (N America)	UE42268

### 3 Ringed Pistons - From VIN 22118 to 41686

22118-39627	PISTON & RINGS (8:1 CR)	UE46310
39628-41686	PISTON & RINGS (9:1 CR - From 1979)	UE46305
39628-41686	PISTON ASSEMBLY (A Bank - 7.3:1 CR)	UE39155
39628-41686	PISTON ASSEMBLY (B Bank - 7.3:1 CR)	UE39157
39628-41686	TOP COMPRESSION RING	UE45859
39628-41686	CENTRE COMPRESSION RING	UE35831
39628-41686	OIL CONTROL RING	UE42268

### Con Rods & Small End Bushes

1001-41686	CON ROD	UE9840
1001-41686	CON ROD BOLT	UE6056
1001-41686	CON ROD NUT	SPC3390
1001-41686	SMALL END BUSH	UE41845

### Liners & Seals

1001-41686	CYLINDER LINER	UE71222
1001-41686	CYLINDER LINER SEAL SET (24 seals)	UE8581/2
1001-41686	LOWER CYLINDER LINER SEAL (2 per cylinder)	UE8581
1001-41686	UPPER CYLINDER LINER SEAL (1 per cylinder)	UE8582
1001-41686	LOAN OF CYLINDER LINER PULLER	RH7095LOAN

## ENGINE - BEARINGS

### Main Bearings

1001-24327	MAIN BEARING SET (Standard Size)	RH2085
1001-24327	MAIN BEARING SET (0.010" U/S)	RH2103
1001-24327	MAIN BEARING SET (0.020" U/S)	RH2104
1001-24327	MAIN BEARING SET (0.030" U/S)	RH2105
24328-39628	MAIN BEARING SET (Standard Size)	RH2641
24328-39628	MAIN BEARING SET (0.010" U/S)	RH2642
24328-39628	MAIN BEARING SET (0.020" U/S)	RH2643
39628-41686*	MAIN BEARING SET (Standard Size)	RH2776
39628-41686*	MAIN BEARING SET (0.010" U/S)	RH2777
39628-41686*	MAIN BEARING SET (0.020" U/S)	RH2778
1001-41686	THRUST WASHER SET (Two upper and two lower - standard size)	UE826SET

### Big End Bearing Sets

1001-41686	BIG END BEARING SET (Standard Size)	RH2504
1001-41686	BIG END BEARING SET (0.010" U/S)	RH2505
1001-41686	BIG END BEARING SET (0.020" U/S)	RH2506

### Small End Bearings

1001-41686	SMALL END BUSH	UE41845
------------	----------------	---------

## ENGINE - CAMSHAFT & VALVES

### Camshaft & Hydraulic Tappets

1001-39627	CAMSHAFT	UE36782
39628-41686	CAMSHAFT	UE44436
1001-41686	HYDRAULIC TAPPET	UV11163PA
1001-41686	PUSH ROD	UT14120PA
1001-41686	PUSH ROD (0.050" shorter than standard)	UT14120-0.050
1001-41686	CAMSHAFT DISTRIBUTOR DRIVE GEAR	UE5191
1001-41686	1/4" LOCKTAB	XB7106R
1001-41686	OILING PIPE ASSEMBLY (Front cam gear)	07V103688
1001-41686	LOCKTAB (Front cam gear)	07V103899
1001-41686	LOCKTAB (Front cam gear)	07V103899B
1001-41686	LOCKTAB (Tapping block to thrust plate)	07V103551
1001-41686	LOCKING PLATE (Front cam gear - 2 required)	UE9068

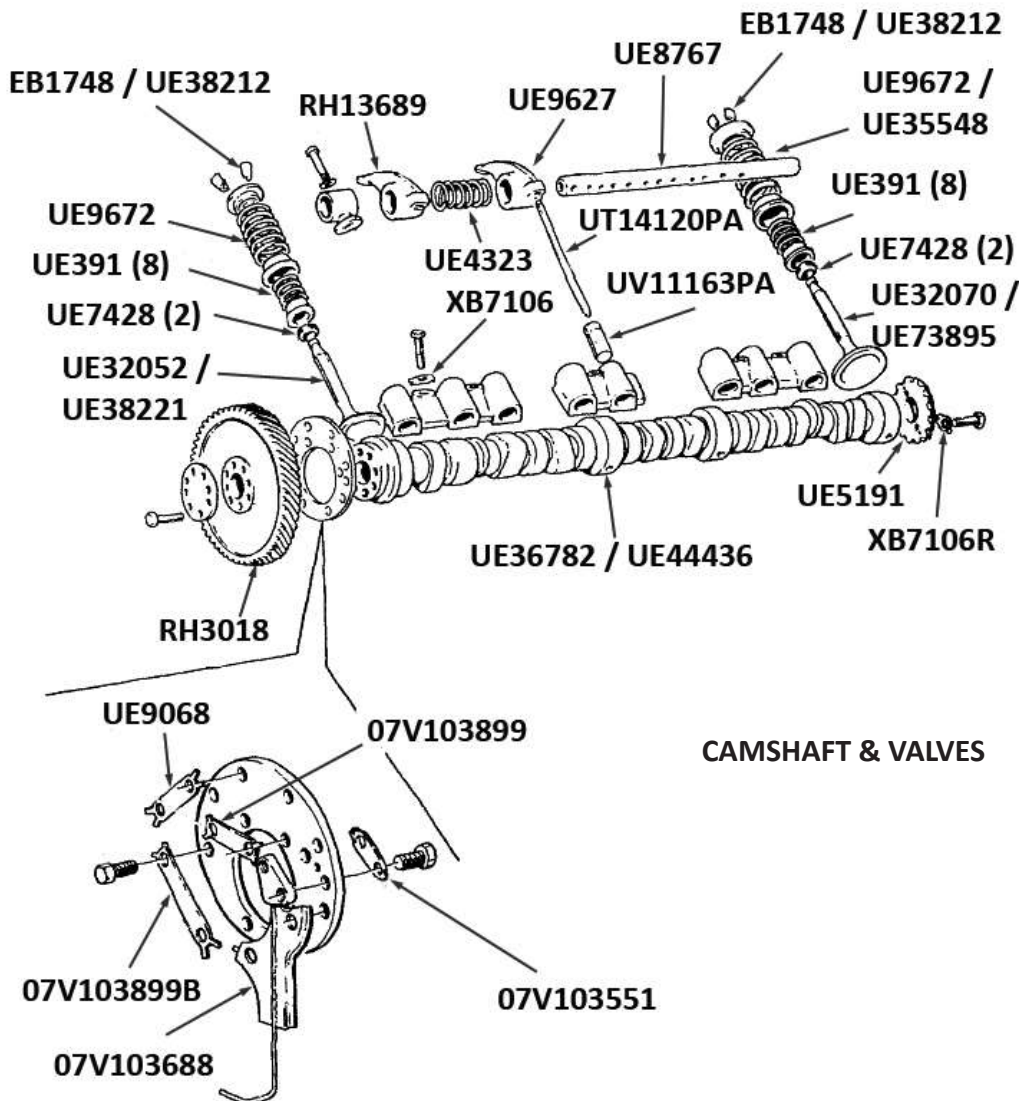
### Valves & Guides

1001 - 38971*	INLET VALVE	UE32052
38972-41686*	INLET VALVE	UE38221
1001 - 26708	INLET VALVE GUIDE	UE7432
30001 - 41686	INLET VALVE GUIDE	UE42479
1001-41686	INLET VALVE SEAT	UE34242
1001 - 38971*	EXHAUST VALVE	UE32070
38972-41686*	EXHAUST VALVE	UE73895
1001-41686	EXHAUST VALVE GUIDE	UE42480
1001-41686	EXHAUST VALVE SEAT	UE34246
1001-39627	VALVE COLLET	EB1748
39628-41686	VALVE COLLET	UE38212
1001-41686	MAIN VALVE SPRING (Inlet & Exhaust)	UE9672
8742-41686	EXHAUST VALVE SPRING	UE35548
1001-41686	SPRING (Valve stem seal)	UE391
1001-41686	COTTON VALVE STEM SEAL (16 per engine)	UE7428

### Rocker Shaft & Rockers

1001-41686	ROCKER SHAFT	UE8767
1001-41686	INLET ROCKER	RH13689
1001-41686	EXHAUST ROCKER	UE9627
1001-41686	ROCKER SHAFT SPRING	UE4323

# ENGINE - CAMSHAFT & VALVES





## ENGINE - BELTS

### Engine Mounts

1001-41686	FRONT ENGINE MOUNT (1 per engine)	UR19203
1001-41686	REAR ENGINE MOUNT (2 per engine)	UR19204

### Fan Belts

#### Cars Without Air Conditioning & Hobourn Eaton PAS Pump

1001-4548	DRIVE BELTS (Twin - Coolant)	RH9265
1001-4548	DRIVE BELTS (Twin - Coolant / PAS)	UE32658

#### Cars With Air Conditioning & Hobourn Eaton PAS Pump

1001-4548	DRIVE BELTS (Twin - Coolant / PAS)	UE32658
1001-4548	DRIVE BELTS (Twin - Alternator / Air Con)	RH9266

#### Early Cars With Saginaw PAS Pump & Dynamo

2982-8741	DRIVE BELTS (Twin - Dynamo / PAS)	UE34563
2982-8741	DRIVE BELTS (Twin - Coolant)	RH9264

#### Cars With Early Water Pump

8742-11218*	DRIVE BELTS (Twin - Coolant)	RH9264
8742-11218*	DRIVE BELTS (Twin - PAS / Air Con)	SPC2717
8742-11218*	DRIVE BELT (Single - Air Pump)	UE33677

#### Cars With Later Water Pump

11218-41686*	DRIVE BELTS (Twin - Coolant)	UE37810
11218-41686*	DRIVE BELTS (Twin - PAS / Air Con)	SPC2717
11218-41686*	DRIVE BELT (Single - Alternator)	SPC2680
11218-41686*	DRIVE BELT (Single - Air Pump)	SPC3431

### Jockey Pulley

11218-41686*	JOCKEY PULLEY	UE38279
--------------	---------------	---------

### Emission Control System

1001-41686	PLUG SET (Allows removal of exhaust emission control systems)	EMIKIT
------------	---	--------

## EXHAUSTS (4 DOOR MODELS - VIN 1001 TO 26708)

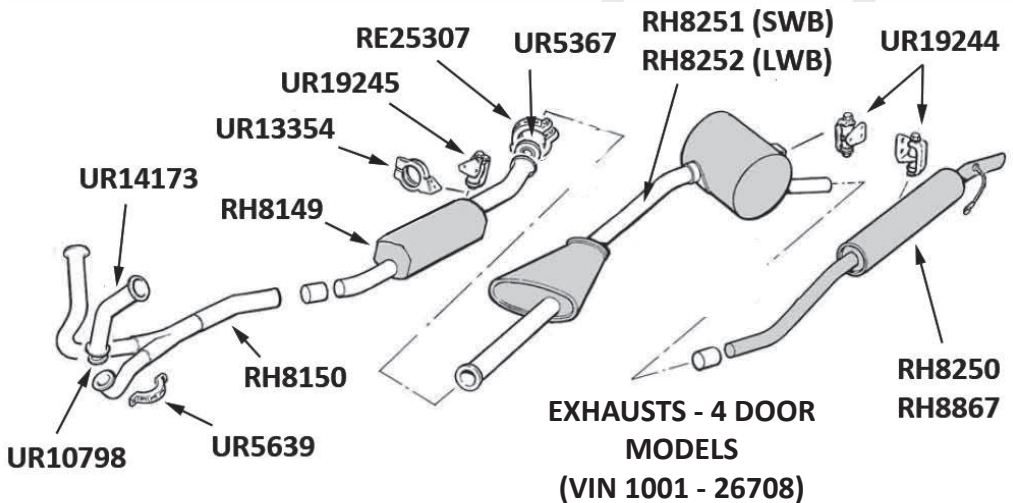
We offer genuine exhausts alongside aftermarket ones in Mild & Stainless Steel. Please contact us with the VIN of your car if it is a Two Door model.

### Pipes & Silencers

1001-26708	LH DOWNPIPE	UR14173
1001-26708	RH DOWNPIPE	RH8150
1001-26708	FRONT SILENCER	RH8149
1001-26708	REAR SILENCER SWB	RH8251
1001-26708	REAR SILENCER LWB	RH8252
1001-16213	DIP DOWN TAIL PIPE	RH8250
16214 - 26708	STRAIGHT OUT TAIL PIPE	RH8867
1001-16213	MILD STEEL EXHAUST SYSTEM (SWB 4 door cars)	EX6-MSSY1E
16214 - 26708	MILD STEEL EXHAUST SYSTEM (SWB 4 door cars)	EX7-MSSY1L
1001-16213	STAINLESS STEEL EXHAUST SYSTEM (SWB 4 door cars)	EX14-SSSY1E
16214 - 26708	STAINLESS STEEL EXHAUST SYSTEM (SWB 4 door cars)	EX15-SSSY1L

### Exhaust Fittings - Clamps, Olives & Hangers

1001-26708	EXHAUST HALF CLAMP	UR5639
1001-26708	EXHAUST OLIVE	UR10798
1001-26708	JAWED CLAMP FRONT SILENCER	UR13354
1001-26708	EXHAUST HALF CLAMP	RE25307
1001-26708	EXHAUST OLIVE	UR5367
1001-26708	EXHAUST HALF CLAMP BOLT	UR5666
1001-26708	EXHAUST NUT	UR5665
1001-26708	EXHAUST MOUNT (1 per car)	UR19245
1001-26708	EXHAUST MOUNT (2 per car)	UR19244



## EXHAUSTS (4 DOOR MODELS - VIN 30001 TO 37186)

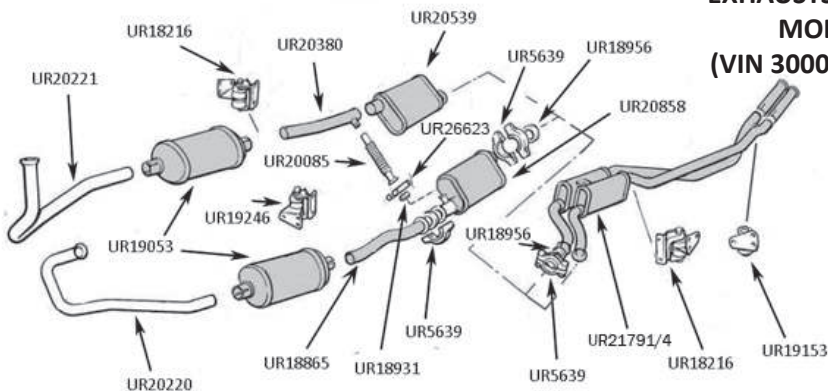
### Pipes & Silencers

30001-37186	RH DOWNPIPE	UR20221
30001-37186	LH DOWNPIPE	UR20220
30001-37186	FRONT SILENCER (2 per car)	UR19053
30001-37186	RH INTERMEDIATE PIPE	UR20380
30001-37186	LH INTERMEDIATE PIPE	UR18865
30001-37186	BALANCE PIPE	UR20085
30001-37186	RH BALANCE BOX	UR20539
30001-37186	LH BALANCE BOX	UR20858
30001-37186	SWB REAR SILENCER	UR21791
30001-37186	LWB REAR SILENCER	UR21794
30001-37186	MILD STEEL EXHAUST SYSTEM (SWB 4 door cars)	EX8-MSSY2E
30001-37186	STAINLESS STEEL EXHAUST SYSTEM (SWB 4 door cars)	EX16-SSSY2E

### Exhaust Fittings

30001-37186	EXHAUST HALF CLAMP	UR5639
30001-37186	OLIVE	UR18956
30001-37186	EXHAUST NUT	UR5665
30001-37186	EXHAUST HALF CLAMP BOLT	UR5666
30001-37186	HALF CLAMP BALANCE PIPE	UR26623
30001-37186	OLIVE BALANCE PIPE CLAMP	UR18931
30001-37186	EXHAUST MOUNT	UR19246
30001-37186	EXHAUST MOUNT	UR18216
30001-37186	EXHAUST MOUNT	UR19153

### EXHAUSTS - 4 DOOR MODELS (VIN 30001 - 37186)



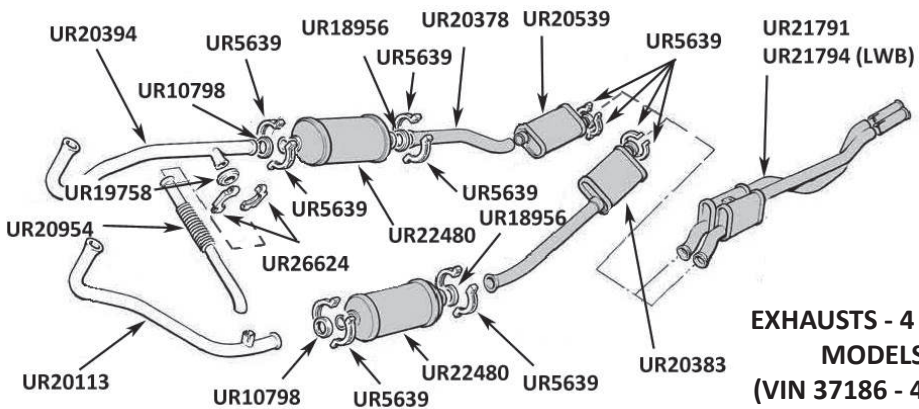
# EXHAUSTS (4 DOOR MODELS - VIN 37187 TO 41686)

## Pipes & Silencers

37186-41686	RH DOWNPIPE	UR20394
37186-41686	LH DOWNPIPE	UR20113
37186-41686	BALANCE PIPE	UR20954
37186-41686	FRONT SILENCER (2 per car)	UR22480
37186-41686	RH INTERMEDIATE PIPE	UR20378
37186-41686	RH BALANCE BOX	UR20539
37186-41686	LH BALANCE BOX	UR20383
37186-41686	SWB REAR SILENCER	UR21791
37186-41686	LWB REAR SILENCER	UR21794
37186-41686	MILD STEEL EXHAUST SYSTEM (SWB 4 door model)	EX9-MSSY2L
37186-41686	STAINLESS STEEL EXHAUST SYSTEM (SWB 4 door model)	EX17-SSSY2L

## Exhaust Fittings

37186-41686	EXHAUST HALF CLAMP	UR5639
37186-41686	EXHAUST OLIVE	UR10798
37186-41686	OLIVE	UR18956
37186-41686	EXHAUST HALF CLAMP BOLT	UR5666
37186-41686	EXHAUST NUT	UR5665
37186-41686	HALF CLAMP BALANCE PIPE	UR26624
37186-41686	OLIVE BALANCE PIPE	UR19758
37186-41686	EXHAUST MOUNT	UR21535
37186-41686	EXHAUST MOUNT	UR21541
37186-41686	EXHAUST MOUNT	UR26630
37186-41686	EXHAUST MOUNT	UR26629
37186-41686	EXHAUST MOUNT	UR21273



# EXHAUSTS

## Manifolds & Associated Parts

1001-26708	RH EXHAUST MANIFOLD	UE31295
1001-26708	LH EXHAUST MANIFOLD	UE31294
30001-41686	RH EXHAUST MANIFOLD	UE45015
30001-41686	LH EXHAUST MANIFOLD	UE45016
1001-41686	EXHAUST MANIFOLD GASKET	UE73544
1001-41686	EXHAUST MANIFOLD BOLT	UA1612P
1001-41686	EXHAUST MANIFOLD BOLT SPACER	UE31382
1001-41686	EXHAUST MANIFOLD HEAT SHIELD	UE37927
1001-41686	EXHAUST MANIFOLD HEAT SHIELD BOLT	SPC1121
1001-26708	CHOKE U TUBE	UE37946
1001-26708	CHOKE U TUBE GASKET	UE31461
1001-41686	CHOKE U TUBE STUD	UA703Z
1001-41686	CHOKE U TUBE STUD NUT	SPC1333
1001-41686	ADAPTER U TUBE TO STOVE PIPE	UA5802Z
30001-41686	CHOKE U TUBE	UE38993
30001-41686	CHOKE U TUBE GASKET	UE73546
1001-22117	LONG STOVE PIPE	UE35025
1001-22117	SHORT STOVE PIPE	UE35026
22118-26708	LONG STOVE PIPE	UE39120
22118-26708	SHORT STOVE PIPE	UE39774
30001-41686	LONG STOVE PIPE	UE41077
30001-41686	SHORT STOVE PIPE	UE42534

## FUEL - PUMP & TANK

### Fuel Pump

1001-41686	FUEL PUMP ASSEMBLY	UD22715FC
1001-41686	FUEL PUMP OVERHAUL KIT	UD22715FCKIT
1001-41686	FUEL PUMP POINTS	CD237
1001-41686	FUEL PUMP DIAPHRAGM	CD4196
1001-41686	FUEL PUMP INSULATING STRIP (2 per pump)	UD10942

### Fuel Tank

1001-7693	FUEL TANK	RH2483
7694-23148	FUEL TANK	UR19265
23149-41686	FUEL TANK	UR19807
1001-41686	FUEL FILLER HOSE (All models except North American cars from VIN 25565)	UR13769
1001-41686	FUEL FILLER CAP SEAL	UR432
1001-25624	FUEL LEVEL SENDER	UR13591
25625-41686	FUEL LEVEL SENDER	UR19863
1001-41686	FUEL LEVEL SENDER GASKET	UR17396
1001-7693	FUEL TANK DRAIN PLUG	UR375
1001-7693	DRAIN PLUG WASHER	XB1093R
7694-41686	FUEL TANK DRAIN PLUG	UG526
7694-41686	DRAIN PLUG WASHER	UR16450

### Filters

1001-41686	MAIN FUEL FILTER	CD4299
1001-26708	FUEL WEAKENER FILTER	UE36426
30001-41686	FUEL WEAKENER FILTER	UE40612
1001-41686	AIR FILTER (Cylindrical)	UE36200
30001-41686	AIR FILTER (Circular - for cars with Solex carb)	UE38385
8742-26708	FLOAT CHAMBER FILTER (2 per car)	UE35892

## FUEL - CRUISE CONTROL

### Air Intake System

1001-41686	AIR TRUNKING (1m length)	AIRTRUNK
1001-41686	AIR FILTER (Cylindrical)	UE36200
1001-41686	GASKET (Air intake to carbs - 4 per car)	UE6230
1001-41686	GASKET (Air filter box)	UE31525

### Cruise Control System - From 9001 to 26708

9001-13753	CRUISE CONTROL REGULATOR	UE36546
13754-26708	CRUISE CONTROL REGULATOR	UE37990
9001-26708	CRUISE CONTROL BELLOWS	UE36552
9001-26708	CRUISE CONTROL BELLOWS RUBBER	CD6410
9001-26708	SPEEDO CABLE (Gearbox to cruise control regulator)	UD19951
9001-26708	SPEEDO CABLE (From cruise control regulator to speedo head - RHD cars)	UD19948
9001-26708	SPEEDO CABLE (From cruise control regulator to speedo head - LHD cars)	UD19949
9001-26708	RELAY (Cruise control)	UD9270
9001-26708	MICROSWITCH	UD15410

### Cruise Control System - From VIN 30001 to 41686

30001-41686	GEAR LEVER	UR21738
30001-41686	CRUISE CONTROL ECU	UD25279
30001-34373	CRUISE CONTROL BELLOWS	RH2762
34374-41686	CRUISE CONTROL BELLOWS	UE42416
30001-41686	CRUISE CONTROL BELLOWS RUBBER	CD6410
30001-41686	SPEEDO TRANSDUCER	UD20990A1
30001-41686	LUCAS 6RA RELAY	UD15493

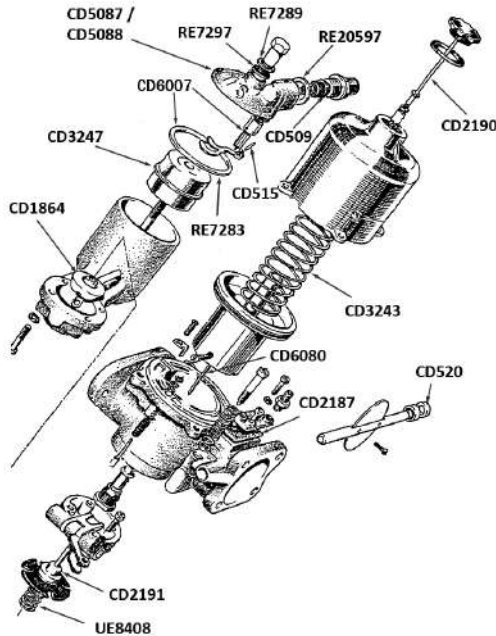
### Vapour Emission Control

30001-41686	ANTI RUN-ON VALVE	UE40613
30001-41686	O RING	UE33919
30001-41686	SEALING RING	CK610
30001-41686	FUEL WEAKENER FILTER (From VIN 30001)	UE40612

# FUEL - CARBURETTER

## Carburettors - From VIN 1001 to 6000

1001-6000	CARBURETTER SERVICE KIT (2 kits required per car)	CARBKIT2
1001-6000	FLOAT NEEDLE & SEAT KIT (2 kits required per car)	CD6007
1001-6000	MAIN JET	CD2191
1001-6000	MAIN CARBURETTER NEEDLE	CD6080
1001-6000	CARBURETTER FLOAT (36mm)	CD3247
1001-6000	DAMPER ASSEMBLY (Carburetter)	CD2190
1001-6000	FIBRE WASHER (2 per car - carb float lid)	RE7297
1001-6000	ALUMINIUM WASHER (2 per car - carb float lid)	RE7289
1001-6000	GASKET (Carburetter to inlet manifold)	UE6175
1001-6000	WASHER (Carb float lid filter)	RE20597
1001-6000	GASKET (Weakener device)	CD2187
1001-6000	GLAND SEAL (Throttle spindle)	CD5443
1001-6000	GASKET (Carburetter float lid)	RE7283
1001-6000	FLOAT LID (A Bank)	CD5087
1001-6000	FLOAT LID (B Bank)	CD5088
1001-6000	PIN (Carb float lever)	CD515
1001-6000	SPRING (Main carb piston)	CD3243
1001-6000	GASKET (Air intake to carbs - 4 per car)	UE6230
1001-6000	GASKET (T piece to carbs)	RH13024
1001-6000	OVERHEAT REDUCTION KIT	RH13183KIT

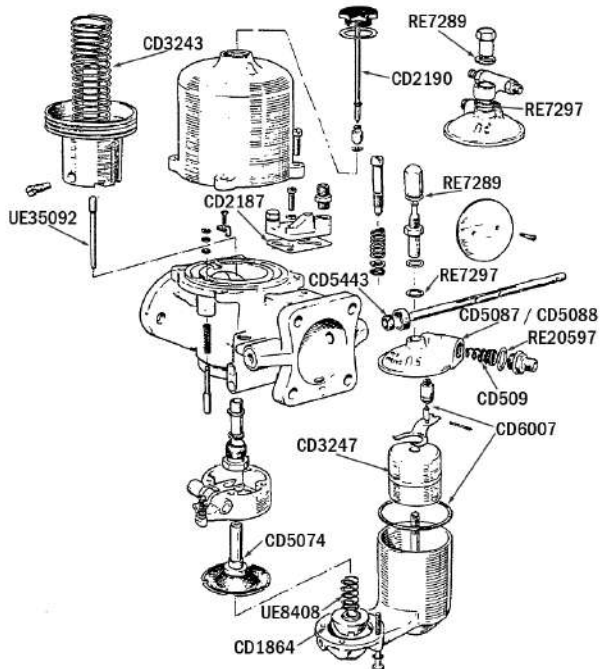




# FUEL - CARBURETTER

Carburettors - From VIN 6001 to 7324

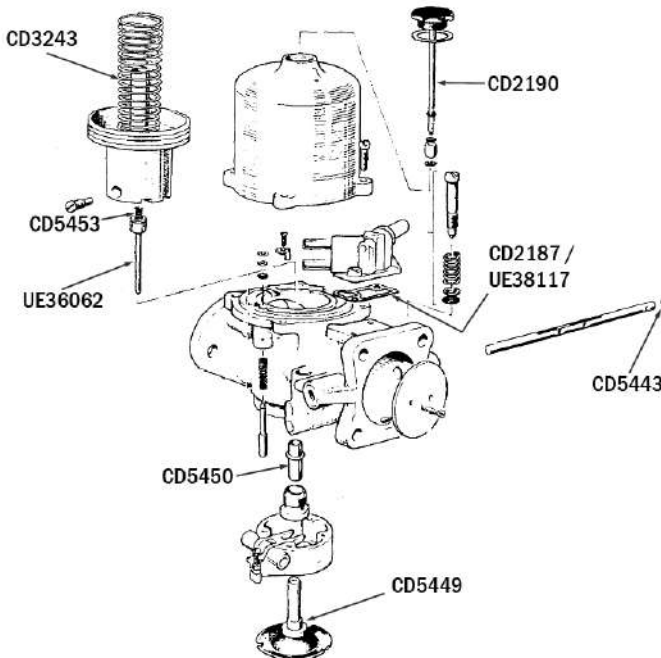
6001-7324	FLOAT NEEDLE & SEAT KIT (2 kits required per car)	CD6007
6001-7324	MAIN JET	CD5074
6001-7324	MAIN CARBURETTER NEEDLE	UE35092
6001-7324	DAMPER ASSEMBLY (Carburetter)	CD2190
6001-7324	FIBRE WASHER (2 per car - carb float lid)	RE7297
6001-7324	ALUMINIUM WASHER (2 per car - carb float lid)	RE7289
6001-7324	GASKET (Carburetter to inlet manifold)	UE6175
6001-7324	CARBURETTER FLOAT (36mm)	CD3247
6001-7324	GASKET (Carburetter float lid)	RE7283
6001-7324	SPRING (Main carb piston)	CD3243
6001-7324	PIN (Carb float lever)	CD515
6001-7324	FLOAT LID (A Bank)	CD5087
6001-7324	FLOAT LID (B Bank)	CD5088
6001-7324	GLAND SEAL (Throttle spindle)	CD5443
6001-7324	GASKET (Weakener device)	CD2187
6001-7324	WASHER (Carb float lid filter)	RE20597
6001-7324	GASKET (Air intake to carbs - 4 per car)	UE6230
6001-7324	GASKET (T piece to carbs)	RH13024
6001-7324	OVERHEAT REDUCTION KIT	RH13183KIT



# FUEL - CARBURETTER

Main Carburetter - From VIN 7325 to 26708

7325-26708	CARBURETTER ASSEMBLY (A Bank)	UE37664
7325-26708	CARBURETTER ASSEMBLY (B Bank)	UE37665
7325-26708	CARBURETTER SERVICE KIT (2 kits required per car)	CARBKIT1
7325-26708	MAIN CARBURETTER NEEDLE	UE36062
7325-26708	MAIN CARB JET	CD5449
7325-26708	GASKET (Carburetter to inlet manifold)	UE6175
7325-26708	DAMPER ASSEMBLY (Carburetter)	CD2190
7325-26708	GLAND SEAL (Throttle spindle)	CD5443
7325-26708	BEARING (Main carb jet)	CD5450
7325-26708	SPRING (Main carb piston)	CD3243
7325-26708	SPRING (Main carb needle)	CD5453
7325-26708	GASKET (Weakener device)	CD2187
7325-26708	GASKET (Weakener device)	UE38117
7325-26708	GASKET (Air intake to carbs - 4 per car)	UE6230
7325-26708	GASKET (T piece to carbs)	RH13024
7325-26708	OVERHEAT REDUCTION KIT	RH13183KIT

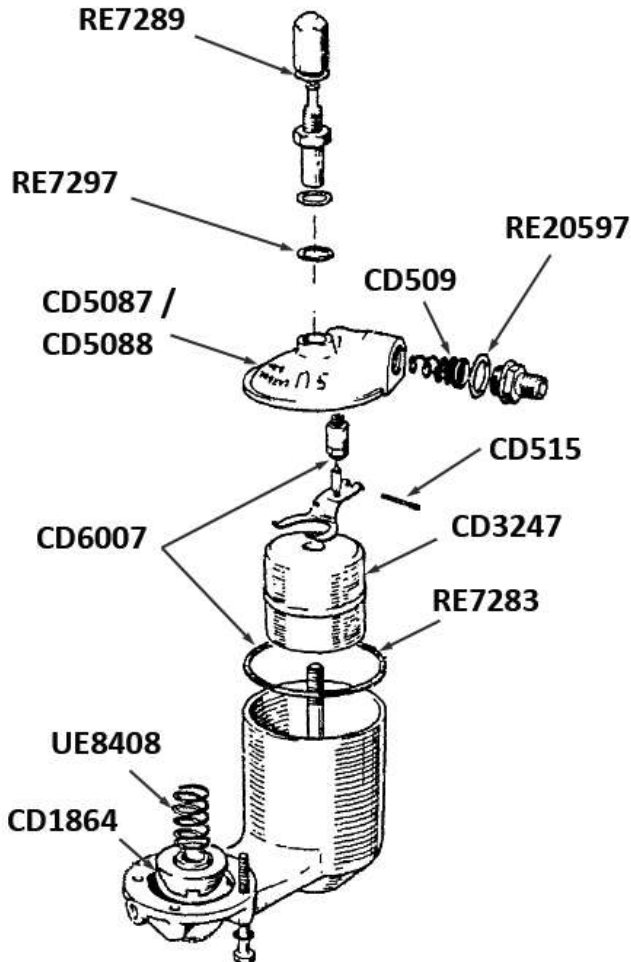


CARBURETTER ASSEMBLY  
(A BANK) - UE37664  
(B BANK) - UE37665

## FUEL - FLOAT CHAMBER

Float Chamber - From VIN 7325 to 8741

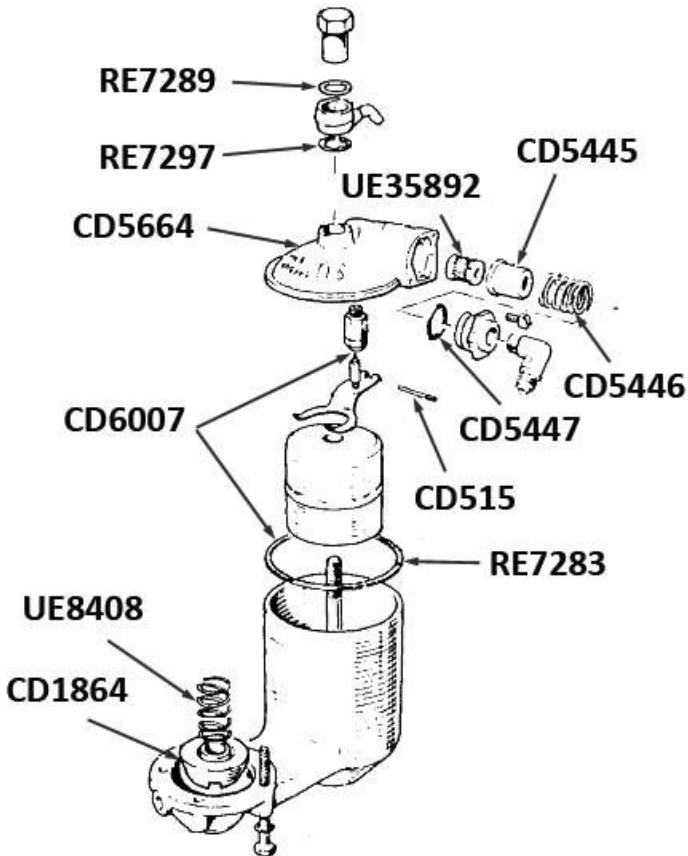
7325-8741	FLOAT NEEDLE & SEAT KIT (2 kits required per car)	CD6007
7325-8741	ALUMINIUM WASHER (2 per car - carb float lid)	RE7289
7325-8741	FIBRE WASHER (2 per car - carb float lid)	RE7297
7325-8741	FILTER (Float chamber lid)	CD509
7325-8741	WASHER (Carb float lid filter)	RE20597
7325-8741	CARBURETTER FLOAT (36mm)	CD3247
7325-8741	GASKET (Carburettor float lid)	RE7283
7325-8741	PIN (Carb float lever)	CD515
7325-8741	FLOAT LID (A Bank)	CD5087
7325-8741	FLOAT LID (B Bank)	CD5088



## FUEL - FLOAT CHAMBER

Float Chamber - From VIN 8742 to 26708

8742-26708	FLOAT NEEDLE & SEAT KIT (2 kits required per car)	CD6007
8742-26708	FLOAT CHAMBER FILTER	UE35892
8742-26708	RETAINER (For carb float lid filter)	CD5445
8742-26708	SPRING (Float lid filter)	CD5446
8742-26708	FLOAT LID	CD5664
8742-26708	O RING (Float lid filter)	CD5447
8742-26708	PIN (Carb float lever)	CD515
8742-26708	CARBURETTER FLOAT (36mm)	CD3247
8742-26708	GASKET (Carburetter float lid)	RE7283
8742-26708	FIBRE WASHER (2 per car - carb float lid)	RE7297
8742-26708	ALUMINIUM WASHER (2 per car - carb float lid)	RE7289

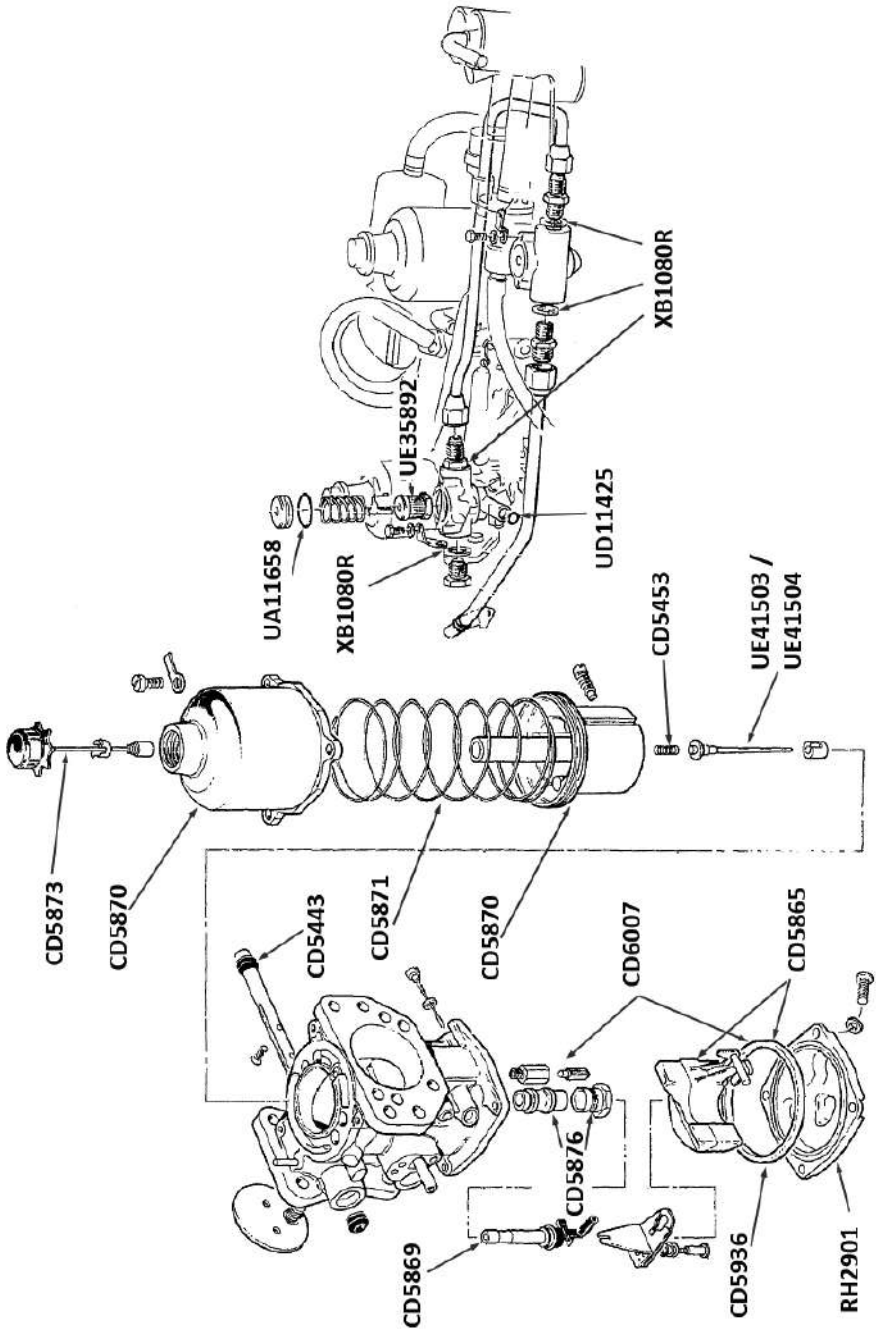


## FUEL - CARBURETTER

Carburetter - From VIN 30001 to 41686

30001-41686	CARBURETTER ASSEMBLY	UE40394
30001-41686	FLOAT NEEDLE & SEAT KIT (2 kits required per car)	CD6007
30001-41686	FLOAT KIT	CD5865
30001-41686	MAIN CARBURETTER NEEDLE	UE41503
30001-41686	MAIN CARBURETTER NEEDLE (For cars with exhaust emission control)	UE41504
30001-41686	SPRING (Main carb needle)	CD5453
30001-41686	CARB JET	CD5869
30001-41686	BEARING KIT (Main carb jet)	CD5876
30001-41686	SPRING (Main carburetter damper)	CD5871
30001-41686	GLAND SEAL (Throttle spindle)	CD5443
30001-41686	FLOAT CHAMBER COVER	RH2901
30001-41686	FLOAT CHAMBER SEAL	CD5936
30001-41686	JOINT (Carburetter to inlet manifold)	RH13183
30001-41686	FLOAT CHAMBER FILTER	UE35892
30001-41686	O RING	UA11658
30001-41686	FUEL FEED PIPE O RINGS	UD11425
30001-41686	WASHER	XB1080R
30001-41686	DAMPER ASSEMBLY	CD5873
30001-41686	JOINT (Air intake ducts to carbs)	RH12785
30001-41686	GASKET (Induction T piece to carbs)	RH13076
30001-41686	GASKET (Induction T piece to hot idle valve housing)	RH12778
30001-41686	SU CARBURETTER CONVERSION KIT (Corniche)	SOLEXCORN
30001-41686	SU CARBURETTER CONVERSION KIT (Camargue)	SOLEXCAM

# FUEL - CARBURETTOR

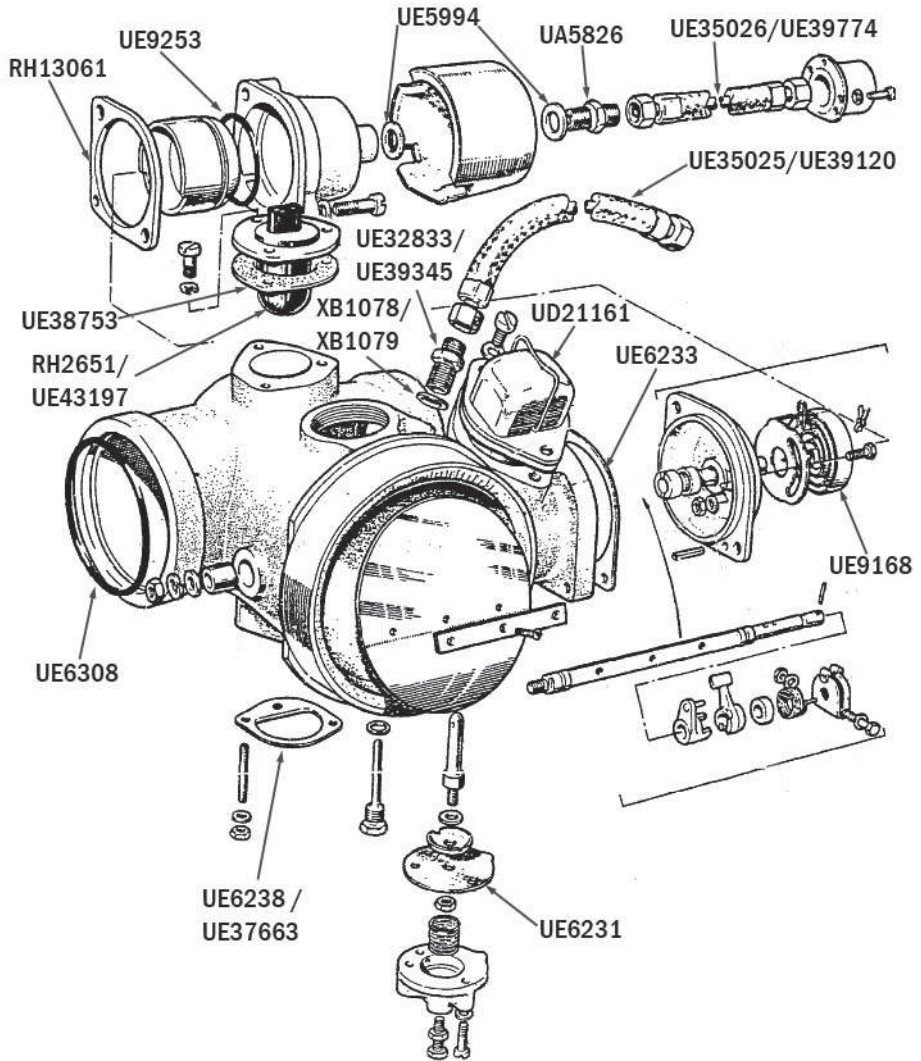


## FUEL - CHOKE (SERIES I MODELS)

Choke - From VIN 1001 to 26708

1001-26708	CHOKE U TUBE	UE37946
1001-26708	CHOKE U TUBE GASKET	UE31461
1001-26708	CHOKE U TUBE STUD	UA703Z
1001-26708	CHOKE U TUBE STUD NUT	SPC1333
1001-22117	LONG STOVE PIPE	UE35025
22118-26708	LONG STOVE PIPE	UE39120
1001-22117	UNION (Stove pipe to butterfly)	UE32833
22118-26708	UNION (Stove pipe to butterfly)	UE39345
1001-22117	SEALING WASHER	XB1078R
22118-26708	SEALING WASHER	XB1079
1001-22117	SHORT STOVE PIPE	UE35026
22118-26708	SHORT STOVE PIPE	UE39774
1001-22117	UNION (Stove pipe to choke spring housing)	UA5826Z
22118-26708	UNION (Stove pipe to choke spring housing)	SPC1753
1001-26708	FIBRE WASHER	UE5994
1001-26708	CHOKE SPRING	UE9168
1001-26708	GASKET (Choke spring housing to butterfly housing)	UE6233
1001-26708	O RING (Choke heat sink unit)	UE9253
1001-26708	GASKET (Choke spring assembly to butterfly housing)	RH13061
1001-26708	CHOKE SOLENOID	UD21161
1001-26708	AUTO CHOKE SEALING RING	UE6308
1001-22117	OTTER SWITCH (Solenoid weakener valve)	RH2651
22118-26708	OTTER SWITCH (Solenoid weakener valve)	UE43197
1001-22117	CORK GASKET (Otter switch)	UE38753
1001-12683	GASKET (Butterfly housing to support bracket)	UE6238
12684-26708	GASKET (Butterfly housing to support bracket)	UE37663
1001-26708	DEPRESSION VALVE DIAPHRAGM	UE6231

# FUEL - CHOKE (SERIES I MODELS)



**CHOKE SYSTEM  
(VIN 1001-26708)**

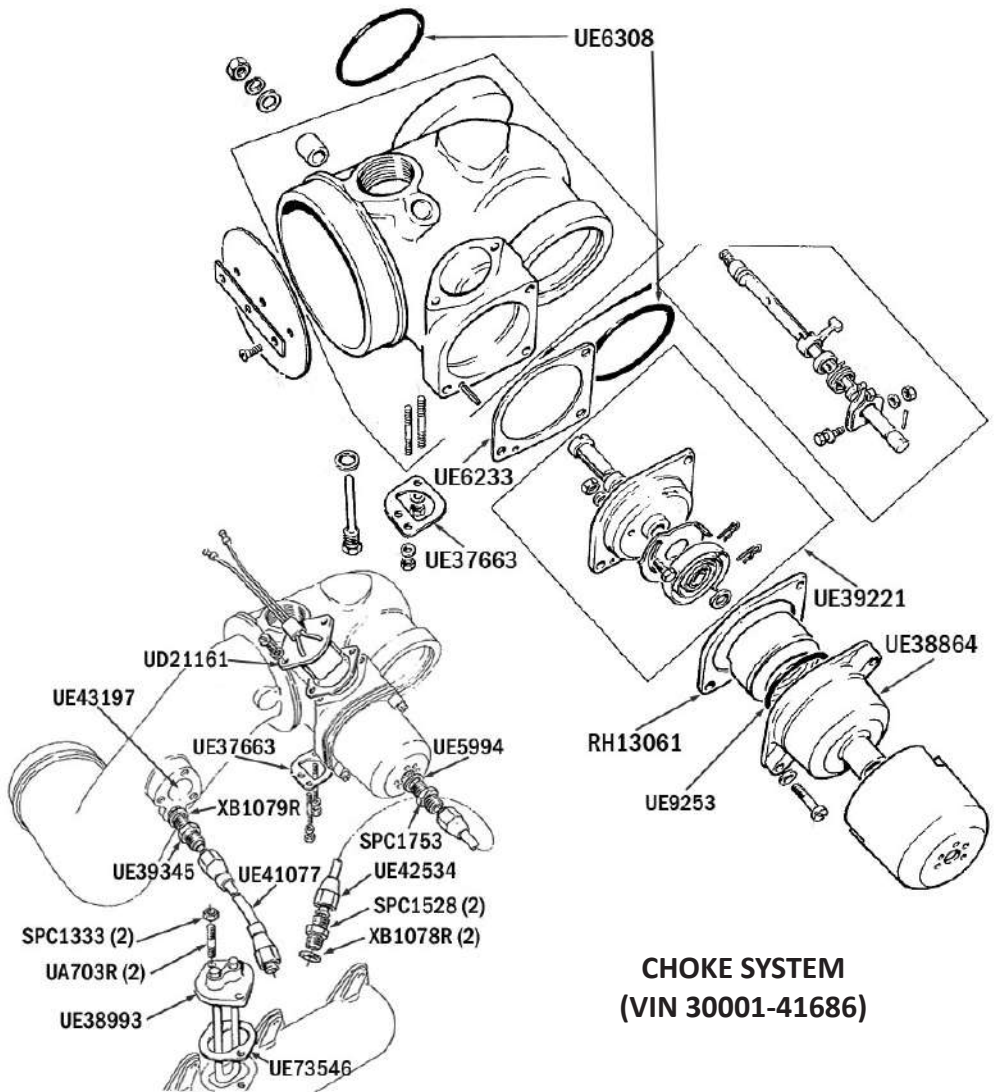


## FUEL - CHOKE (SERIES II MODELS)

Choke - From VIN 30001 to 41686

30001-41686	CHOKE U TUBE	UE38993
30001-41686	CHOKE U TUBE GASKET	UE73546
30001-41686	CHOKE U TUBE STUD	UA703Z
30001-41686	CHOKE U TUBE STUD NUT	SPC1333
30001-41686	SEALING WASHER	XB1078R
30001-41686	UNION (Stove pipe to U tube)	SPC1528
30001-41686	SHORT STOVE PIPE	UE42534
30001-41686	UNION (Stove pipe to spring coil housing)	SPC1753
30001-41686	FIBRE WASHER	UE5994
30001-41686	LONG STOVE PIPE	UE41077
30001-41686	UNION (Stove pipe to butterfly)	UE39345
30001-41686	WASHER	XB1079R
30001-41686	CHOKE SPRING COVER	UE38864
30001-41686	O RING (Choke heat sink unit)	UE9253
30001-41686	GASKET (Choke spring assembly to butterfly housing)	RH13061
30001-41686	CHOKE SPRING ASSEMBLY	UE39221
30001-41686	AUTO CHOKE SEALING RING	UE6308
30001-41686	GASKET (Choke spring housing to butterfly housing)	UE6233
30001-41686	GASKET (Butterfly housing to support bracket)	UE37663
30001-41686	CHOKE SOLENOID	UD21161
30001-41686	OTTER SWITCH (Solenoid weakener valve)	UE43197
30001-41686	CORK GASKET (Otter switch)	UE38753

# FUEL - CHOKE (SERIES II MODELS)



## 4 SPEED GEARBOX

### 4 Speed Hydramatic Gearbox - Gearbox & Ring Gear

1001-4485	4 SPEED GEARBOX	UG12157
1001-8697	RING GEAR	UG12215
1001-4485	RING GEAR FLEXI PLATE	UG12216
1001-4485	TORUS COVER SEAL	UE9988
1001-4485	FILTER	UG621
1001-4485	REAR ENGINE MOUNT (2 per engine)	UR19204
1001-4485	FRONT BAND	UG3451
1001-4485	REAR BAND	UG12309

### 4 Speed Hydramatic Gearbox - Gaskets & Seals

1001-4485	SUMP GASKET	RH13067
1001-4485	SIDE COVER GASKET	RH13066
1001-4485	TORUS COVER SEAL	UE9988
1001-4485	REAR EXTENSION GASKET	RH13062
1001-4485	OUTPUT SHAFT SEAL	UG10868
1001-4485	FRONT PUMP SEAL	RH8586
1001-4485	FRONT PUMP COVER SEALING RING	UG2983
1001-4485	SUMP PLUG WASHER	XB1093R
1001-4485	SPEEDO DRIVE HOUSING O RING	LC212
1001-4485	SPEEDO DRIVESHAFT SEALING RING	UG13313

### Gear Lever

1001-4485	MICROSWITCH (Fast idle)	UD14562
1001-4485	GEAR LEVER	UR17559
1001-4485	CRANKED GEAR KNOB	UR15571
1001-4485	THREADED BAKELITE GEAR KNOB	UR14615
1001-4485	MICROSWITCH (Reverse lights)	UR13689

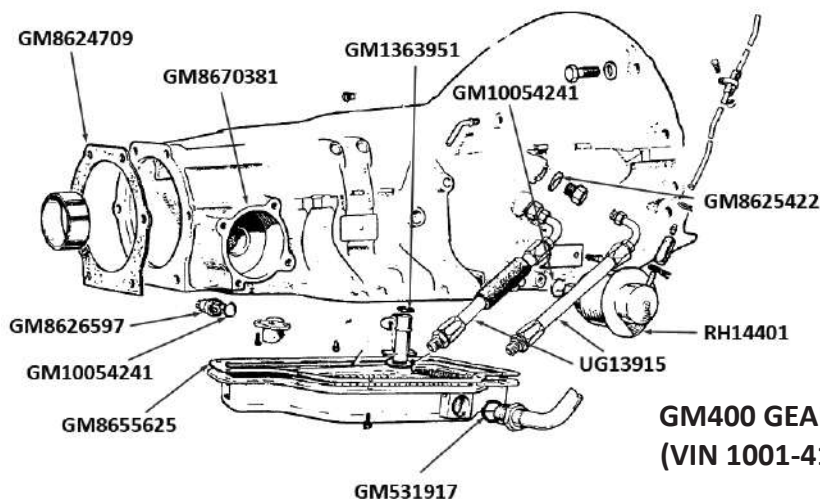
# GM400 GEARBOX

## 3 Speed GM400 Gearbox

1001-9000	GM400 GEARBOX & CONVERTER	UG12961
9001-41686	GM400 GEARBOX & CONVERTER	UE70903
1001-41686	GEARBOX & PAS FLUID (1 Litre)	DEXRON
1001-41686	REAR ENGINE MOUNT (2 per engine)	UR19204
1001-41686	TORQUE CONVERTER	GM8627949
1001-41686	VACUUM MODULATOR	RH14401
1001-41686	KICKDOWN CONNECTOR	GM8626597
1001-41686	SEALING RING (Modulator & kickdown)	GM10054241

## Gaskets & Seals

1001-41686	GM400 GEARBOX FILTER KIT (includes filter, sump gasket & O rings)	RH10009
1001-41686	GM400 GEARBOX MASTER OVERHAUL KIT	GM400KIT
1001-41686	SUMP GASKET	GM8655625
1001-41686	O RING (Dipstick to sump)	GM531917
1001-41686	O RING (Intake pipe)	GM1363951
1001-41686	FRONT PUMP SEAL	GM8670283
1001-41686	SELECTOR SHAFT SEAL	GM8657163
1001-41686	SEALING RING (Modulator & kickdown)	GM10054241
1001-41686	OUTPUT SHAFT SEAL	GM8655031
1001-41686	REAR EXTENSION GASKET	GM8624709
1001-41686	GASKET (Gearbox cooler pipe union)	GM8625422
1001-41686	SPEEDO DRIVE O RING	UG12381



# GM400 GEARBOX

## Front Pump

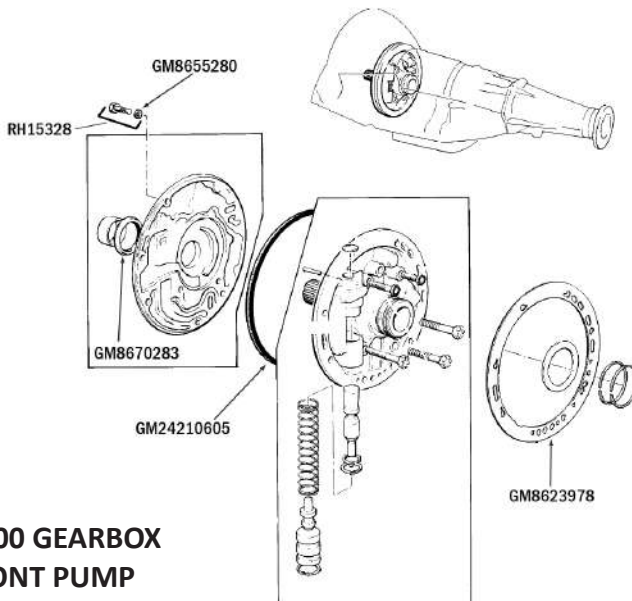
1001-41686	FRONT PUMP GASKET	GM8623978
1001-41686	FRONT PUMP SEAL	GM8670283
1001-41686	FRONT PUMP SEALING RING	GM24210605
1001-41686	WASHER (Front pump bolt)	GM8655280
1001-41686	BOLT & WASHER	RH15328

## GM400 Ring Gears & Flexi Plates

1001-8741	RING GEAR	UG12215
8742-41686	RING GEAR	UG13281
1001-8741	RING GEAR FLEXI PLATE	UG12250
8742-41686	RING GEAR FLEXI PLATE	UE44514

## GM400 Gear Selector

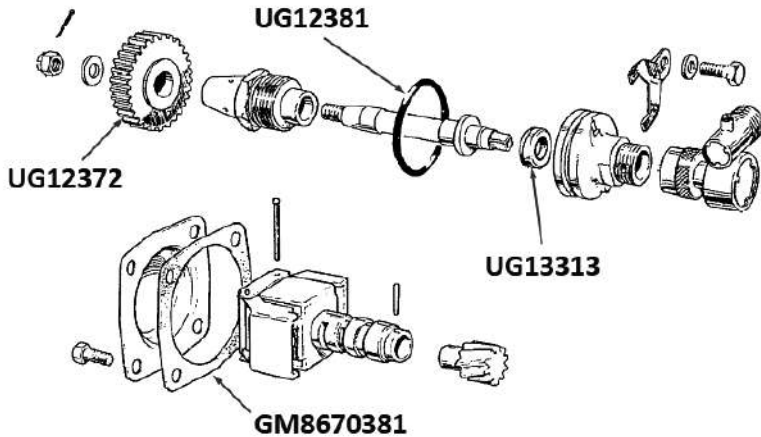
1001-26708	GEAR LEVER	UR17559
1001-26708	THREADED BAKELITE GEAR KNOB	UR14615
1001-26708	SPLINED BAKELITE GEAR KNOB	UR17558
1001-26708	CRANKED GEAR KNOB (Some LHD models)	UR15571
1001-41686	GEAR SELECTOR POINTER	UR20001
1001-41686	MICROSWITCH (Fast idle)	UD14562
30001-41686	MICROSWITCH (Neutral start)	UR20340
1001-41686	MICROSWITCH (Reverse lights)	UR13689
30001-41686	GEAR LEVER (Except Australian models)	UR21738



## GM400 GEARBOX

### Speedo Drive & Governor

1001-41686	GOVERNOR GASKET	GM8670381
1001-41686	SPEEDO DRIVE O RING	UG12381
1001-41686	SPEEDO DRIVESHAFT SEALING RING	UG13313
1001-41686	SPEEDO DRIVE GEAR	UG12372
1001-9000	SPEEDO CABLE (RHD Cars)	UD17256
1001-9000	SPEEDO CABLE (LHD cars)	UD17257
9001-26708	SPEEDO CABLE (From cruise control regulator to speedo head - RHD cars)	UD19948
9001-26708	SPEEDO CABLE (From cruise control regulator to speedo head - LHD cars)	UD19949
9001-26708	SPEEDO CABLE (Gearbox to cruise control regulator)	UD19951
30001-41686	SPEEDO TRANSDUCER	UD20990A1



### Oil Cooling - From VIN 4488 to 13607

4488-13607	GEARBOX OIL COOLER	UE33061
4488-13607	GEARBOX OIL COOLER HOSE	UE33055
4488-13607*	GEARBOX OIL COOLER HOSE	UE34619

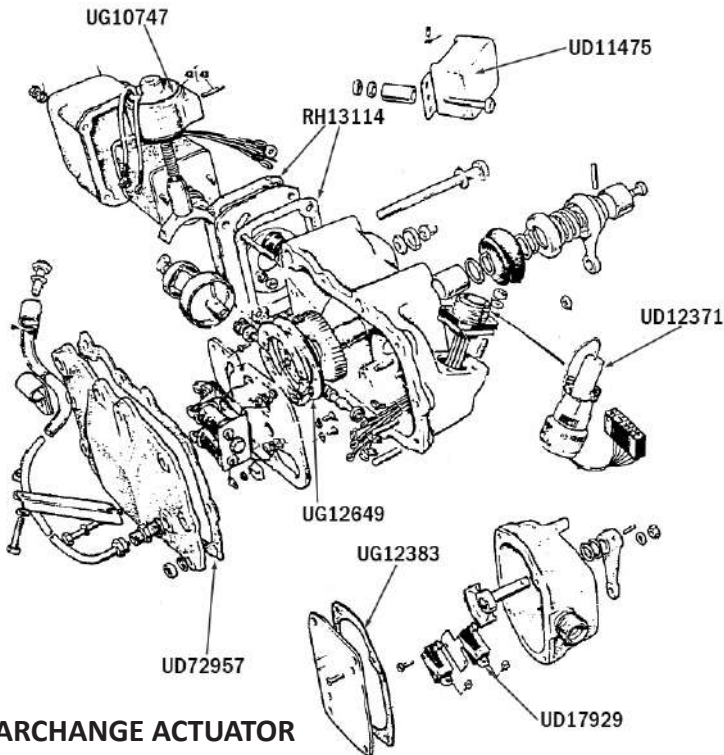
### Oil Cooling - From VIN 13608 to 41686

13608-41686*	PIPE OIL COOLER FEED TO RADIATOR	UG13853
13608-41686*	PIPE OIL COOLER RETURN TO RADIATOR	UG13854
13608-26708	RADIATOR	UR17751
30001-41686	RADIATOR	UR18102
20755-41686	GEARBOX COOLER HOSE	UG13915

# GM400 GEARBOX - ACTUATOR

Gearchange Actuator - From VIN 1001 to 9000

1001-4485	GEARBOX ACTUATOR (4 Speed gearbox)	UG12235
1001-8838*	GEARBOX ACTUATOR	UG12236
8839-9000*	GEARBOX ACTUATOR	UG13492
1001-9000	GEARBOX ACTUATOR LOOM	UD12371
1001-9000	PLUG (Gearbox actuator loom)	UG12314
1001-9000	SIDE COVER GASKET (Gearbox actuator)	UD72957
1001-9000	REAR CASING GASKET (Gearbox actuator)	RH13114
1001-9000	SOLENOID ASSEMBLY (Gearbox actuator)	UG10747
1001-9000	SLIP RING ASSEMBLY	UG12649
1001-9000	GASKET (Neutral start casing)	UG12383
1001-9000	MICROSWITCH (Neutral start)	UD17929
1001-9000	LUCAS RELAY (Reverse gear lock)	UD11475

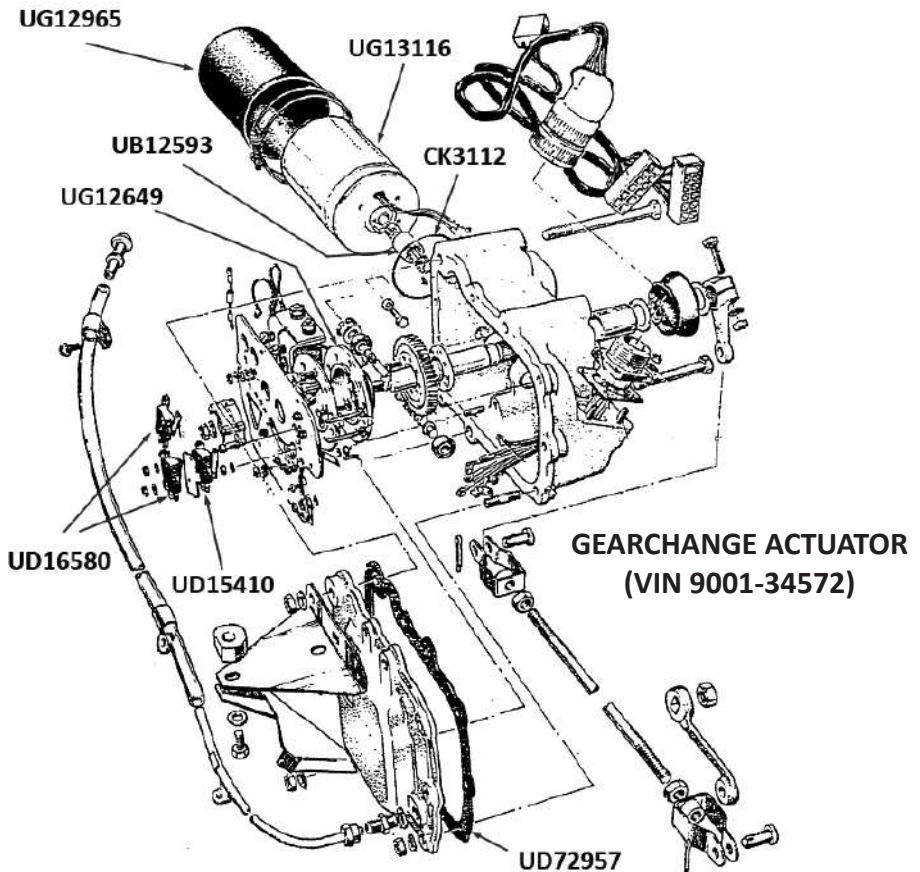


**GEARCHANGE ACTUATOR  
(VIN 1001-9000)**

# GM400 GEARBOX - ACTUATOR

GM400 Gearchange Actuator - From VIN 9001 to 34572

9001-13753*	GEARBOX ACTUATOR	RH2550
13754-34572	GEARBOX ACTUATOR	RH2551
9001-13753*	SIDE COVER GASKET (Gearbox actuator)	UD72957
9001-13753*	BOOT (Gearbox actuator motor)	UG12965
9001-13753*	MOTOR (Gearbox actuator)	UG13116
9001-13753*	SLIP RING ASSEMBLY	UG12649
9001-13753*	PLASTIC COUPLING	UB12593
9001-13753*	MICROSWITCH (Cruise control)	UD15410
9001-13753*	MICROSWITCH	UD16580

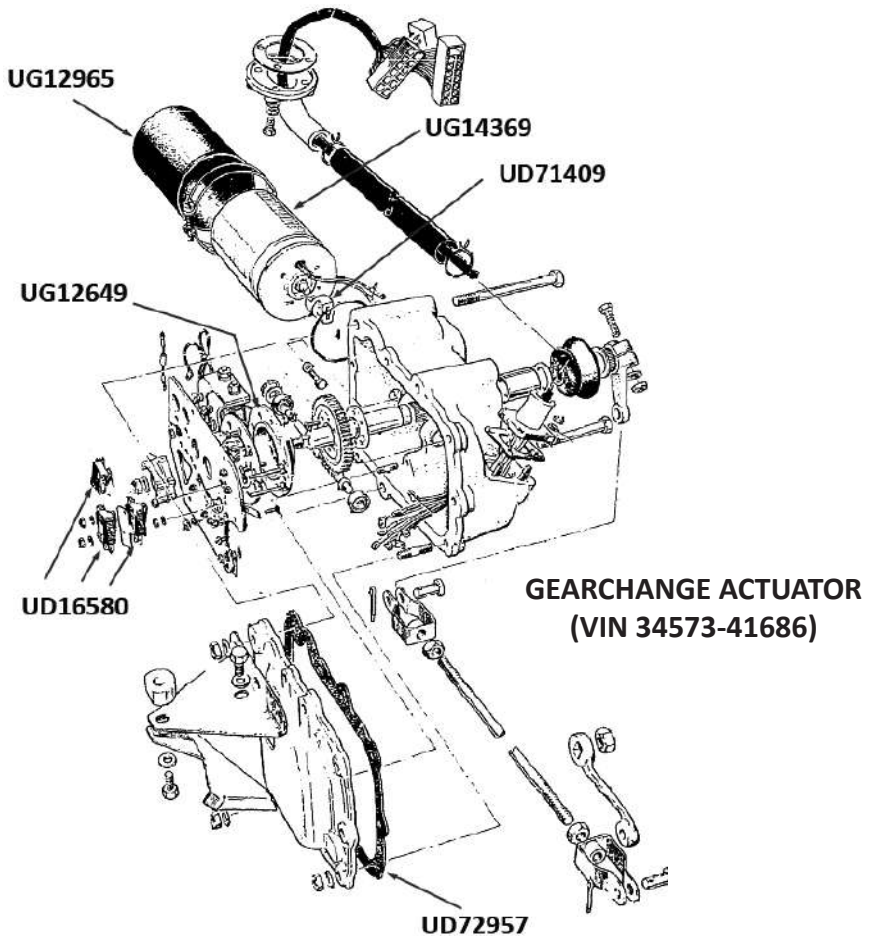




# GM400 GEARBOX - ACTUATOR

GM400 Gearchange Actuator - From VIN 34573 to 41686

34573-36831*	GEARBOX ACTUATOR	UG14350
36832-41686	GEARBOX ACTUATOR	RH2797
34573-36831*	MOTOR (Gearbox actuator)	UG14369
34573-36831*	BOOT (Gearbox actuator motor)	UG12965
34573-36831*	PLASTIC COUPLING	UD71409
34573-36831*	SIDE COVER GASKET (Gearbox actuator)	UD72957
34573-36831*	SLIP RING ASSEMBLY	UG12649
34573-36831*	MICROSWITCH	UD16580



## LITERATURE & ACCESSORIES

### Owners Handbooks

We carry a large selection of owners handbooks & workshop manuals. Please see our website for current stock or contact us with the chassis number of your car.

### Parts & Workshop Manuals - Available on CD or USB Stick

1001-26708	WORKSHOP MANUAL - (Series I models)	TSD2476
30001-41686	WORKSHOP MANUAL - (Series II models)	TSD4200
1001-41686	PARTS MANUAL (Series I & II models)	TSD6166

### Parking Signs

1001-41686	ROLLS-ROYCE PARKING SIGN	FS6
1001-41686	BENTLEY PARKING SIGN	FS7

### Car Covers

1001-41686	OUTDOOR CAR COVER	CARCOVER
1001-41686	INDOOR CAR COVER	CARCOVERIN

### Tax Disc Holders

1001-41686	BENTLEY TAX DISC HOLDER	UB16392
------------	-------------------------	---------

### Valve Caps

1001-41686	RR VALVE CAPS	RH20589
1001-41686	BENTLEY VALVE CAPS (Silver B / Black Background)	RH20791
1001-41686	BENTLEY VALVE CAPS (Silver B / Red Background)	3W0601367D
1001-41686	BENTLEY VALVE CAPS (Silver B / Green Background)	PY112212PA

### Leathercare & Interior Trim

9001-41686*	SILVER SHADOW / BENTLEY T FRONT HEAD RESTRAINT	UB16810
9001-41686*	SILVER SHADOW II / T2 FRONT HEAD REST	UB19503/4
1001-41686	RE-LACQUERED WOOD	WOOD
1001-41686	GLIPTONE LEATHER CLEANER	GT12250
1001-41686	GLIPTONE LEATHER CONDITIONER	GT11250
1001-41686	SMALL JAR OF HIDE FOOD	JNV800072
1001-41686	WILTON CARPET	CARPET
1001-41686	SET OF LAMBSWOOL RUGS (RHD)	UW15068
1001-41686	SET OF LAMBSWOOL RUGS (LHD)	UW15069
1001-41686	LEATHER COLOUR KIT	CONNOLLYKIT

# IGNITION (TWIN POINT)

## Twin Point Ignition - From VIN 1001 to 8741

### Main Components

1001-8741	DISTRIBUTOR CAP	CD3044
1001-8741	ROTOR ARM	CD3046
1001-8741	TWIN POINTS (2 required)	CD3047
1001-8741	CONDENSER	CD3049
1001-8741	COIL (Screw-in terminal)	UD1983
1942-8741	BALLAST RESISTOR	UE34105
1942-8741	COIL (Push-on terminal)	UE35972
1001-1941	VACUUM UNIT	CD3061
1001-8741	LUCAS 20D8 TWIN POINT DISTRIBUTOR	UD8583

### Ancilliary Components

1001-8741	SPARK PLUG	SPC3087
1001-8741	WASHER (Spark plug)	CD151
1001-8741	O RING (Distributor locating plug)	UE7310
1001-8741	DISTRIBUTOR PEDESTAL GASKET	UE7335
1001-8741	THRUST WASHER (Distributor drive pinion)	UE5180
1001-8741	RETAINING RING (Distributor driving plates)	RD3493
1001-8741	O RING (Distributor body to stem)	CD3063
1001-8741	LEAD (Between LT coil lead and condenser)	CD3091
1001-8741	NYLON BLOCK (To accept LT coil lead - two per distributor)	CD3053
1001-8741	PLATE (Driving coupling)	RD3492
1001-8741	DISTRIBUTOR DRIVE PINION	UE5179
1001-8741	CAM	CD3060

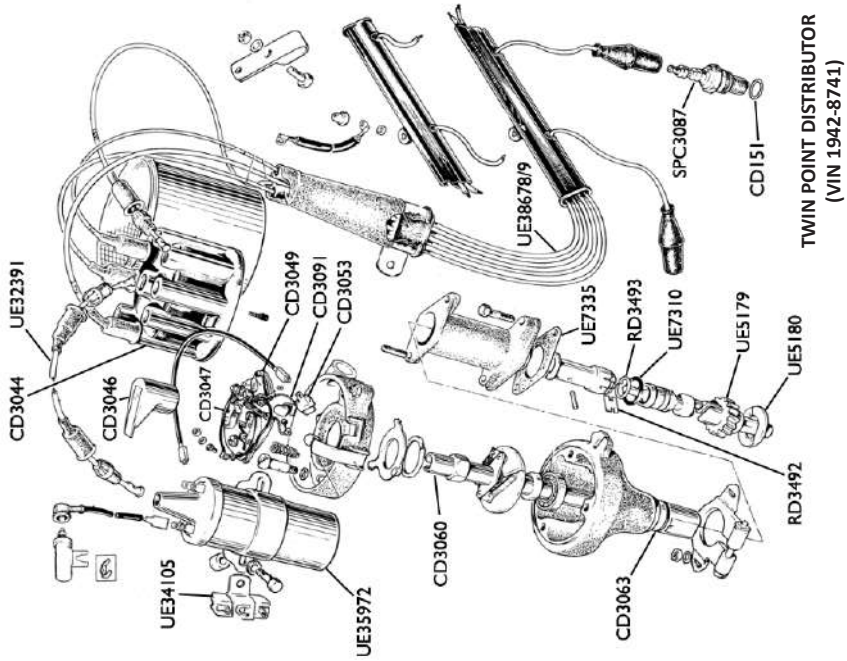
### HT Leads - Please see our website for our full range of Magnecor HT Leads

1001-8741	DISTRIBUTOR TO COIL LEAD	UE32391
1001-8741	HT LEAD SET (9 leads)	UE38678/9
1001-8741	HT LEAD SUPPORT	UM10660
1001-8741	HT LEAD SPACER	UE5005
1001-8741	HT LEAD SLEEVE	UE6208

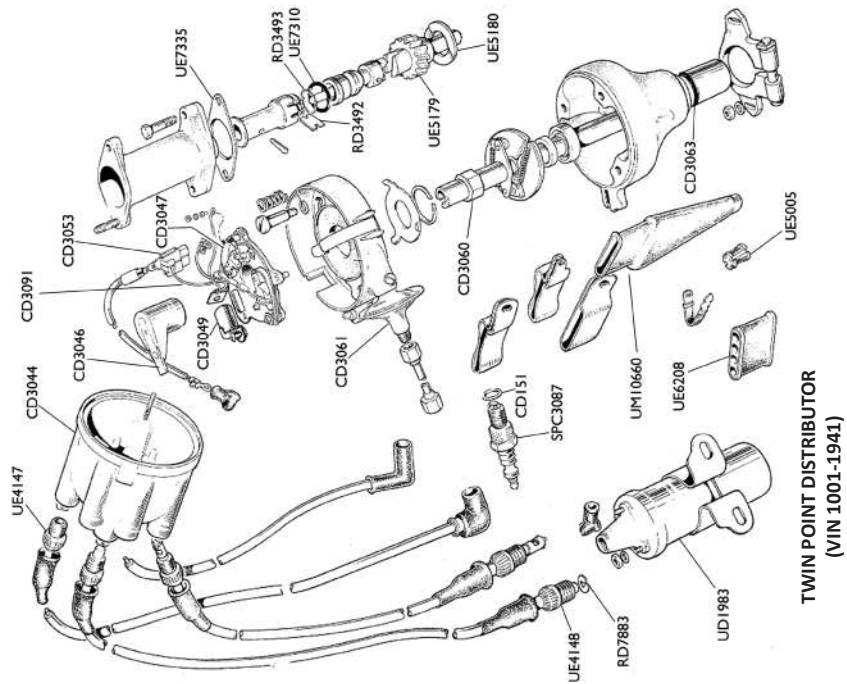
### Electronic Conversion Kits

1001-8741	ELECTRONIC IGNITION CONVERSION KIT	ELEC3
1001-8741	1.5 OHM COIL (Silver with push-on lead)	COIL1
1001-8741	1.5 OHM COIL (Black with push-on lead)	COIL2

# IGNITION (TWIN POINT)



TWIN POINT DISTRIBUTOR  
(VIN 1942-8741)



TWIN POINT DISTRIBUTOR  
(VIN 1001-1941)

# IGNITION (SINGLE POINT)

## Single Point Ignition - From VIN 8742 to 22117

### Main Components

8742-22117	DISTRIBUTOR CAP	CD6210
8742-22117	SINGLE POINTS	CD5627
8742-22117	BALLAST RESISTOR	UE34105
8742-22117	CONDENSER	CD5470
8742-22117	ROTOR ARM	CD6077
8742-22117	COIL (Push-on terminal)	UE35972
8742-22117	SINGLE POINT DISTRIBUTOR	UE37743
8742-22117	SINGLE POINT DISTRIBUTOR (With vacuum retard)	UE35508
8742-22117	ROTOR ARM (Original)	CD5626

### Ancillary Components

8742-22117	SPARK PLUG	SPC3087
8742-22117	WASHER (Spark plug)	CD151
8742-22117	O RING (Distributor locating plug)	UE7310
8742-22117	DISTRIBUTOR PEDESTAL GASKET	UE7335
8742-22117	THRUST WASHER (Distributor drive pinion)	UE5180
8742-22117	RETAINING RING (Distributor driving plates)	RD3493
8742-22117	O RING (Distributor body to stem)	CD3063
8742-22117	CAM LUBRICATION PAD	CD5663
8742-22117	CONTACT BREAKER BASE PLATE	CD5471
8742-22117	THRUST WASHER (Base plate)	CD5474
8742-22117	PLATE (Driving coupling)	RD3492
8742-22117	DISTRIBUTOR DRIVE PINION	UE5179

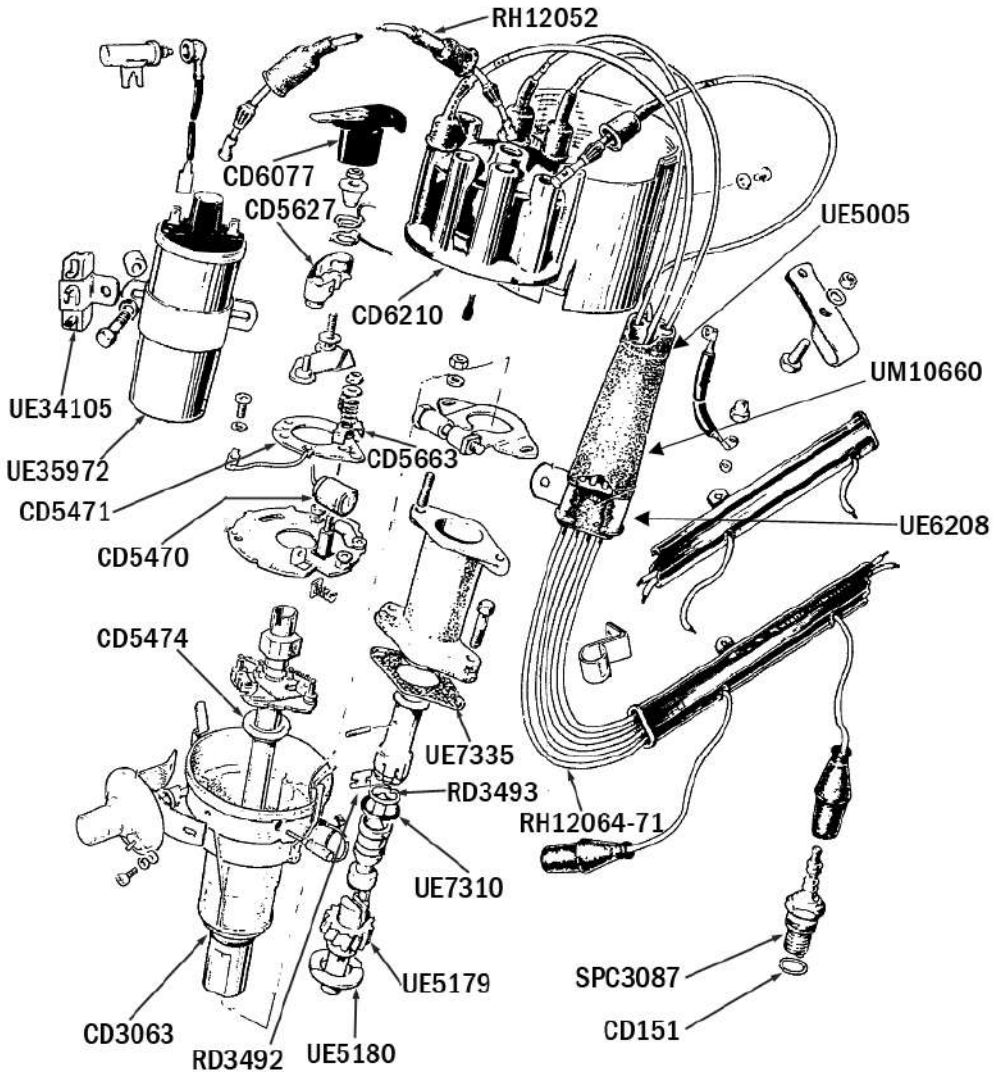
### HT Leads - Please see our website for our full range of Magnecor HT Leads

8742-22117	HT LEAD SET	RH12064-71
8742-22117	DISTRIBUTOR TO COIL LEAD	RH12052
8742-22117	HT LEAD SUPPORT	UM10660
8742-22117	HT LEAD SPACER	UE5005
8742-22117	HT LEAD SLEEVE	UE6208

### Electronic Conversion Kits

8742-22117	ELECTRONIC IGNITION CONVERSION KIT	ELEC4
8742-22117	ELECTRONIC IGNITION CONVERSION KIT (Cars without vacuum advance)	ELEC4A-NOVA
8742-22117	1.5 OHM COIL (Silver with push-on lead)	COIL1
8742-22117	1.5 OHM COIL (Black with push-on lead)	COIL2

# IGNITION (SINGLE POINT)



**SINGLE POINT DISTRIBUTOR  
(VIN 8742-22117)**

# IGNITION (ELECTRONIC)

## Electronic Ignition - From VIN 22118 to 41686

### Main Components

22118-26708	DISTRIBUTOR CAP	CD6210
22118-26708	IGNITION MODULE	CD5904
22118-26708	ROTOR ARM	CD6077
22118-26708	COIL	RH13792
22118-26708	BALLAST RESISTOR	UE37053
30001-41686	BALLAST RESISTOR	UE40912
22118-26708	VACUUM UNIT	CD5809
22118-41686	VACUUM UNIT (N America spec)	CD5845

### Ancilliary Components

22118-26708	SPARK PLUG	SPC3087
22118-26708	WASHER (Spark plug)	CD151
22118-26708	O RING (Distributor locating plug)	UE7310
22118-26708	DISTRIBUTOR PEDESTAL GASKET	UE7335
22118-26708	THRUST WASHER (Distributor drive pinion)	UE5180
22118-26708	RETAINING RING (Distributor driving plates)	RD3493
22118-26708	O RING (Distributor body to stem)	CD3063
22118-26708	PLATE (Driving coupling)	RD3492
22118-26708	DISTRIBUTOR DRIVE PINION	UE5179
22118-26708	SUPPRESSION CAPACITOR	UD72739

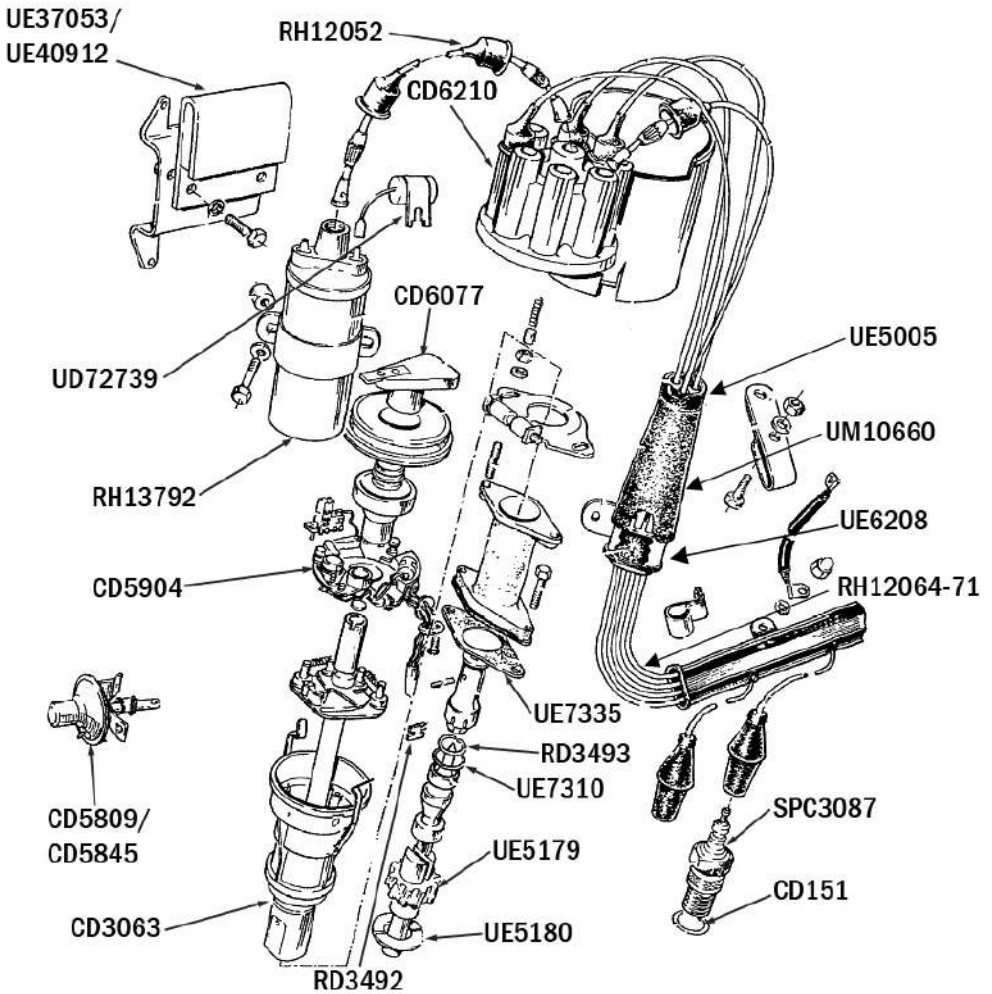
### HT Leads - Please see our website for our full range of Magnecor HT Leads

22118-26708	HT LEAD SET	RH12064-71
22118-26708	DISTRIBUTOR TO COIL LEAD	RH12052

### Modern Electronic Ignition Kits

22118-26708	PERTRONIX ELECTRONIC IGNITION KIT	ELEC5
22118-26708	1.5 OHM COIL (Silver with push-on lead)	COIL1
22118-26708	1.5 OHM COIL (Black with push-on lead)	COIL2

# IGNITION (ELECTRONIC)



**ELECTRONIC IGNITION DISTRIBUTOR  
(VIN 22118-41686)**



## STEERING - BOX

Steering Box - From VIN 1001 to 11215 (approx)

1001-4315	RHD STEERING BOX	UR13878
4315-11215	RHD STEERING BOX	UR15600
1001-11215	O RING (Side cover)	CD4568
1001-11215	PISTON RING KIT	CD4550
1001-11215	O RING (Piston ring back up)	CD4552
1001-11215	HEATSHIELD (PAS hose to cross member)	UR14549
1001-11215	SERVICE KIT (Valve)	CD5654
1001-11215	VALVE ASSEMBLY (RHD cars)	CD4574
1001-11215	SERVICE KIT (Rocking shaft)	CD4559
1001-11215	INVERTED FLARE CONNECTOR (Feed hose to box)	CD4545
1001-11215	SERVICE KIT (Check valve)	CD4547
1001-11215	SERVICE KIT (Lower thrust bearing)	CD4564
1001-11215	RETAINING RING (Adjuster plug seal)	CD4566
1001-11215	LOCK NUT (Adjuster plug)	CD4555
1001-11215	CIRCLIP (Output shaft)	CD4560
1001-11215	CASING (RHD steering box)	CD4571
1001-11215	SERVICE KIT (Adjuster)	CD4542
1001-11215	O RING (End housing)	CD5223
1001-11215	SERVICE KIT (Rocking shaft)	CD4570



## STEERING - BOX

### Steering Box - From VIN 11216 approx to 26708

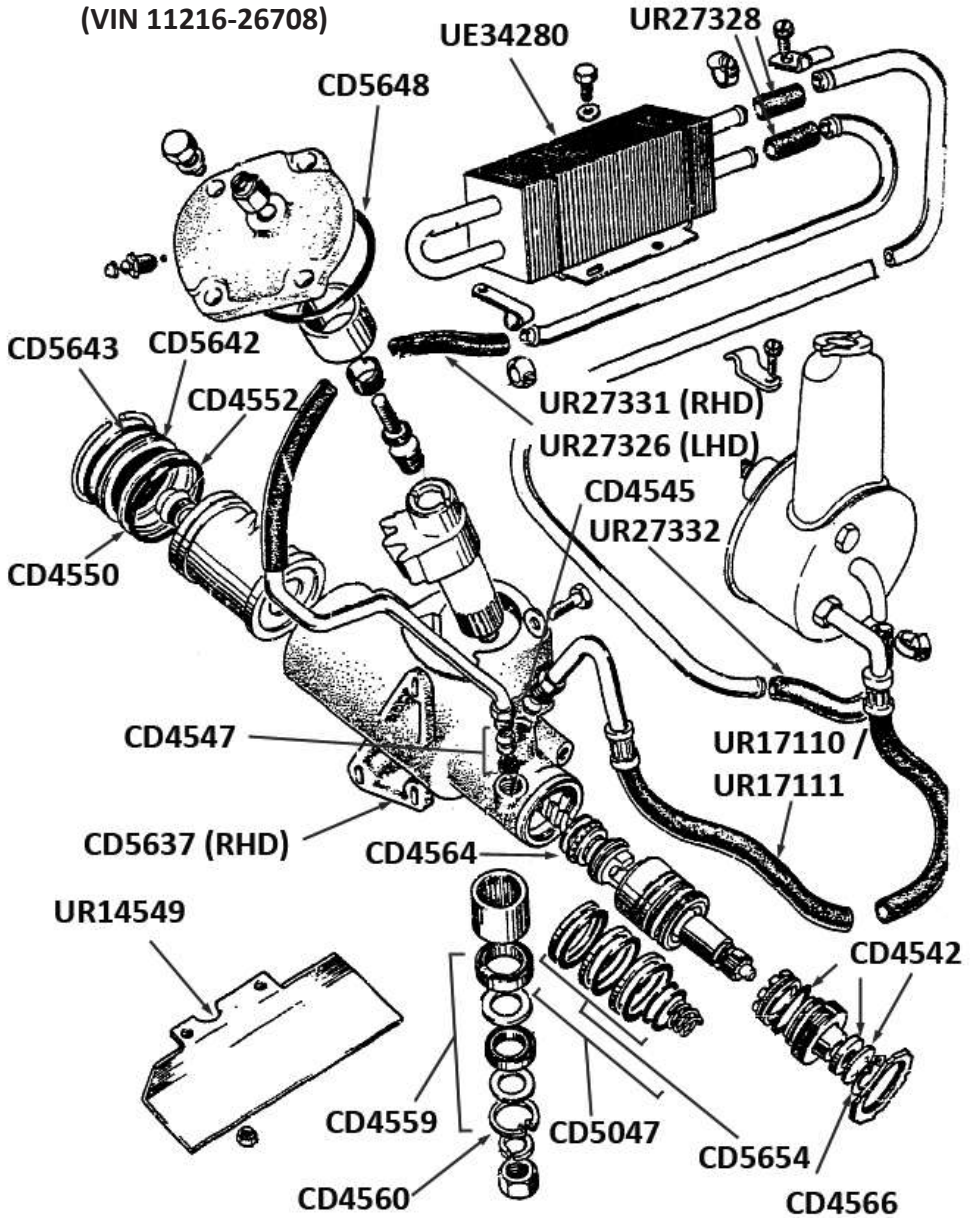
11216-26708	RHD STEERING BOX	UR17108
11216-26708	LHD STEERING BOX	UR17109
11216-26708	O RING (Side cover)	CD4568
11216-26708	PISTON RING KIT	CD4550
11216-26708	HEATSHIELD (PAS hose to cross member)	UR14549
11216-26708	SERVICE KIT (Valve)	CD5654
11216-26708	SERVICE KIT (Rocking shaft)	CD4559
11216-26708	INVERTED FLARE CONNECTOR (Feed hose to box)	CD4545
11216-26708	SERVICE KIT (Check valve)	CD4547
11216-26708	SERVICE KIT (Lower thrust bearing)	CD4564
11216-26708	RETAINING RING (Adjuster plug seal)	CD4566
11216-26708	CIRCLIP (Output shaft)	CD4560
11216-26708	O RING (Rack piston)	CD5643
11216-26708	END PLUG	CD5642
11216-26708	CASING (RHD steering box)	CD5637
11216-26708	CHECK VALVE ASSEMBLY (RHD cars)	CD5047
11216-26708	SERVICE KIT (Adjuster)	CD4542

### Oil Cooler

3005-26708	STEERING OIL COOLER	UE34280
3005-26708	SHORT HOSE (Oil cooler feed & return)	UR27328

# STEERING - BOX

STEERING BOX  
(VIN 11216-26708)



## STEERING - HOBOURN EATON PUMP

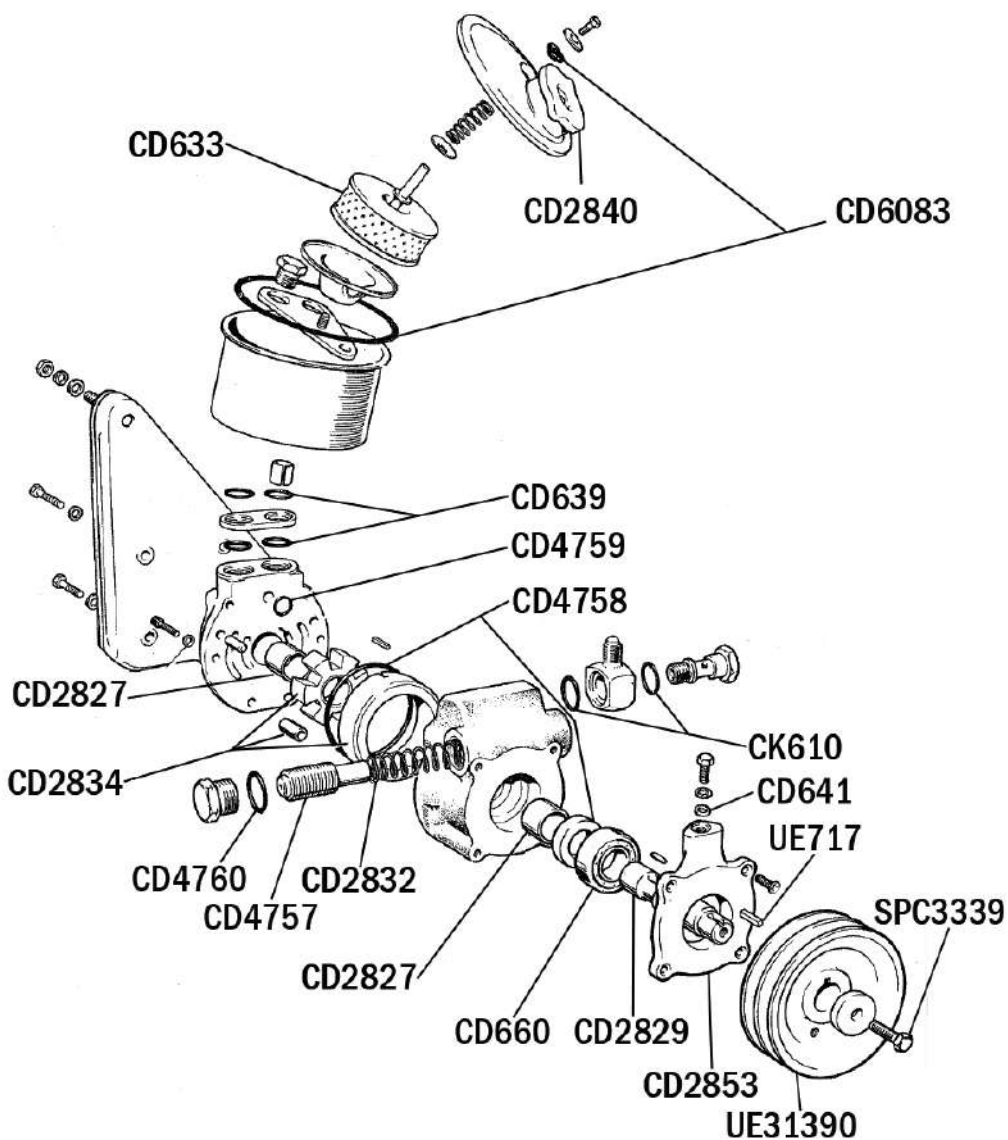
### Hobourn Eaton Steering Pump

1001-4548	HOBOURN EATON POWER STEERING PUMP	UE31405
1001-4548	POWER STEERING PUMP FILTER	CD633
1001-4548	STEERING PUMP LID SEAL KIT	CD6083
1001-4548	O RING LARGE RESERVOIR TO PUMP	CD639
1001-4548	BYPASS O RING	CD4759
1001-4548	BUSH (Main shaft)	CD2827
1001-4548	CAM KIT (Steering pump)	CD2834
1001-4548	SEALING RING	CK610
1001-4548	OIL SEAL KIT	CD4758
1001-4548	SPRING (Steering pump central flow valve)	CD2832
1001-4548	FLOW VALVE	CD4757
1001-4548	O RING (Flow valve cap)	CD4760
1001-4548	BALL RACE (Steering pump shaft)	CD660
1001-4548	SHAFT (Steering pump)	CD2829
1001-4548	END PLATE	CD2853
1001-4548	DRIVING KEY (Steering pump shaft)	UE717
1001-4548	PULLEY (Hobourn Eaton PAS Pump)	UE31390
1001-4548	SETSCREW (Pulley to pump)	SPC3339
1001-4548	O RING SMALL RESERVOIR TO PUMP	CD641
1001-4548	FILLER CAP (Steering pump)	CD2840

### Steering Hoses - Cars with a Hobourn Eaton pump

1001-4548	HOSE (RHD - Hobourn Eaton pump to box)	UR13963
1001-4548	LOWER RETURN HOSE TO PUMP (RHD)	UR15986
1001-4548	UPPER RETURN HOSE TO PUMP (RHD & LHD)	UR15186
1001-4548	HOSE (LHD - Hobourn Eaton pump to box)	UR14582
1001-4548	RETURN HOSE (LHD - Hobourn Eaton pump)	UR14581
1001-4548	RETURN PIPE (RHD)	UR14552

# STEERING - HOBOURN EATON PUMP



HOBOURN EATON STEERING PUMP UE31405  
(VIN 1001-4548)

## STEERING - SAGINAW PUMP

The pulley on the early Saginaw pump was held onto the main shaft with a woodruff key & a nut. The pulleys on the later pumps were pressed on. The two pumps are interchangeable.

### Saginaw Pump

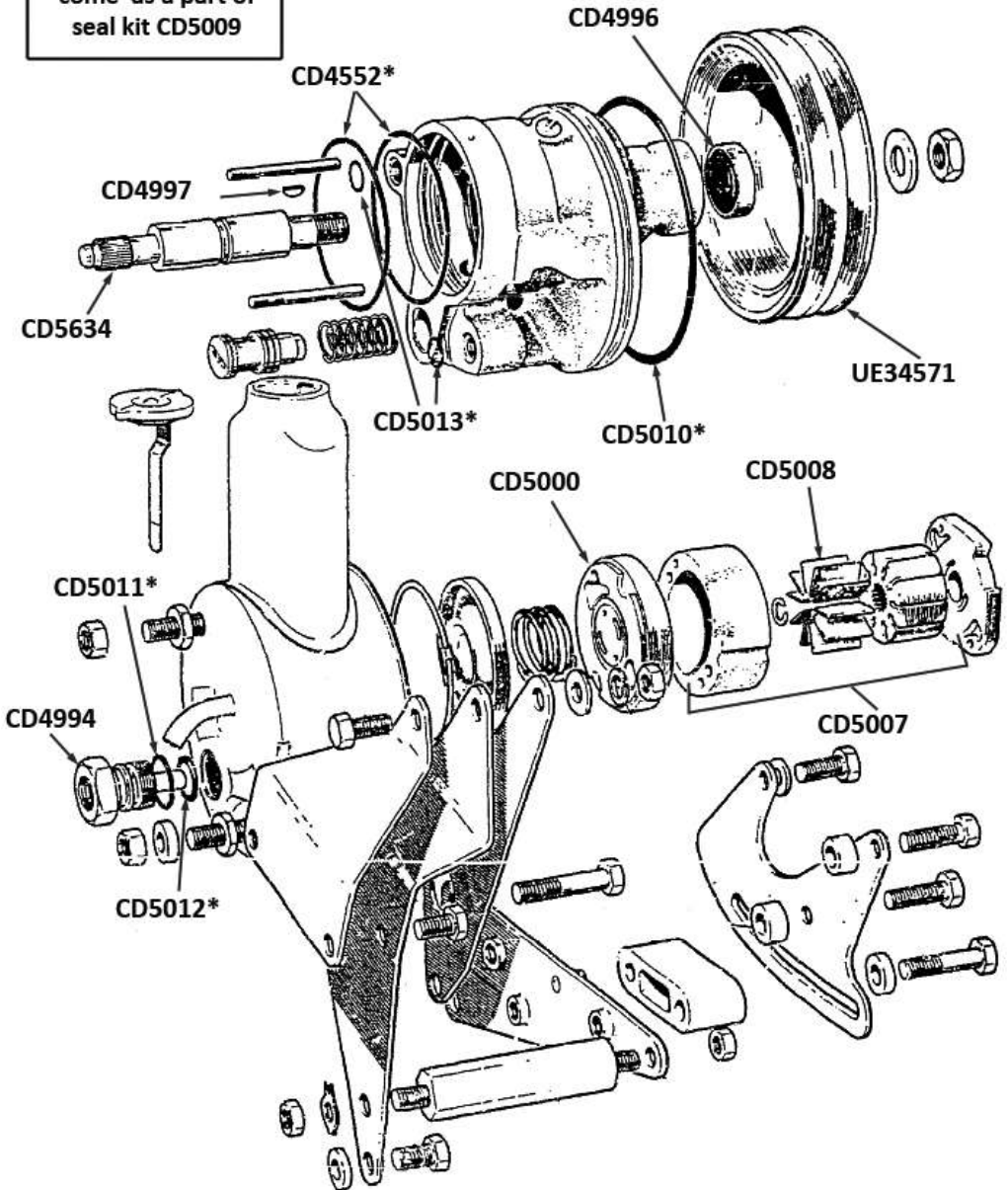
1001-23000	STEERING PUMP	UE34307
23000-39523	STEERING PUMP	UE39652
39523-41686	STEERING PUMP (Short reservoir)	UE46143
1001-23000	PULLEY (Bolted on)	UE34571
1001-23000	SETSCREW (Pulley to pump)	SPC3339
23000-41686	PULLEY (Pressed on)	UE39750
1001-23000	SAGINAW POWER STEERING PUMP SEAL KIT	CD5009
1001-23000	MAIN BODY O RING	CD5010
1001-23000	O RING (Piston ring back up)	CD4552
1001-23000	O RING (Body to reservoir)	CD5013
1001-23000	WOODRUFF KEY (Steering pump driveshaft)	CD4997
1001-23000	DRIVESHAFT KIT (Steering pump)	CD5634
1001-23000	ROTOR, VANES & RETAINING RING	CD5007
1001-23000	ROTOR & VANES	CD5008
1001-23000	PRESSURE PLATE	CD5000
1001-23000	O RING (Internal union)	CD5012
1001-23000	O RING (Pressure union)	CD5011
1001-23000	SEAL (Steering pump driveshaft)	CD4996

### Steering Hoses - Cars with a Saginaw pump from VIN 1001 to 26708

1001-26708	HP HOSE STEERING PUMP TO BOX RHD (Saginaw Pump)	UR17110
1001-26708	HP HOSE STEERING PUMP TO BOX LHD (Saginaw Pump)	RH2818
1001-26708	SHORT HOSE FOR OIL COOLER (2 per car)	UR27328
1001-26708	RETURN HOSE BOX TO COOLER RHD	UR27326
1001-26708	LONG RETURN HOSE BOX TO COOLER LHD	UR27331
1001-6428	SHORT HOSE (Rear of pump to cooler)	UR27326
6429-26708	SHORT HOSE (Rear of pump to cooler)	UR27332

# STEERING - SAGINAW PUMP

Parts marked with \*  
come as a part of  
seal kit CD5009



SAGINAW STEERING PUMP UE34307



## STEERING - RACK

In 1989 a modified steering rack with rounded (rather than square edge) mounting brackets was fitted. This rack supersedes the original rack but required a mounting kit to be fitted. Prior to ordering a replacement steering rack please check whether it has been modified.

### Steering Rack

30001-41686	RHD STEERING RACK	UR22074
30001-41686	LHD STEERING RACK	UR22075
30001-41686	STEERING RACK LOCKTAB	SPM1279
30001-41686	STEERING RACK REBUILD KIT	RACKKIT3

### Seals

30001-41686	STEERING RACK GAITER KIT	CD5906
30001-41686	PINION SEAL KIT	RH2697
30001-41686	RACK BODY SEAL KIT	RH2726
30001-41686	DUST SEAL	CD5912

### Pipes & Hoses

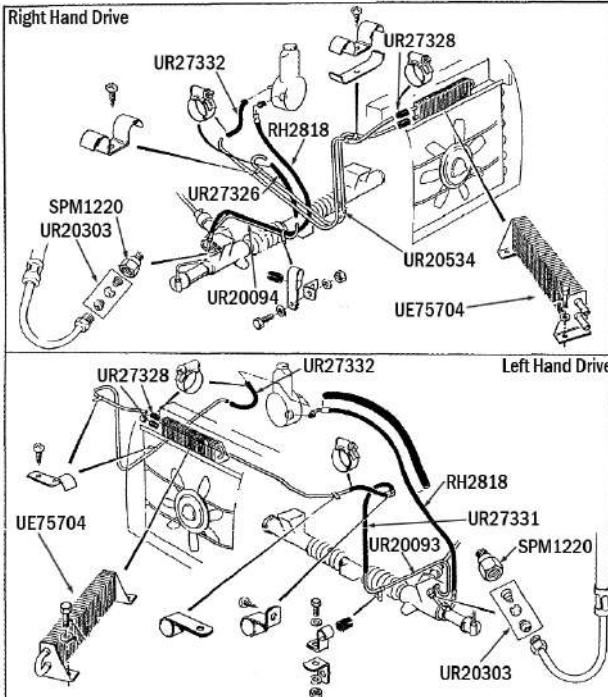
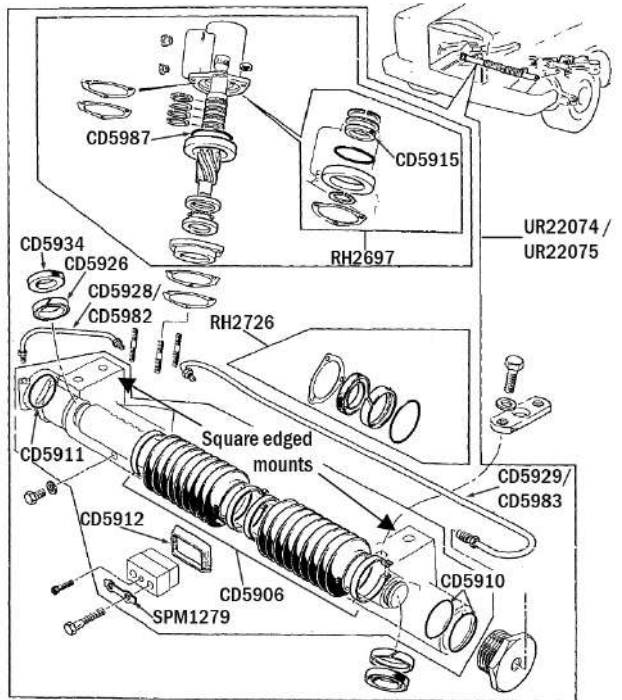
30001-41686	HIGH PRESSURE FEED HOSE STEERING PUMP TO RACK	RH2818
30001-41686	RETURN HOSE	UR27326
30001-41686	LONG RETURN HOSE BOX TO COOLER	UR27331
30001-41686	SHORT HOSE FOR OIL COOLER	UR27328
30001-41686	RETURN HOSE ON PAS PUMP	UR27332
30001-41686	SHORT STEERING RACK PIPE (Rack to Pinion - RHD)	CD5982
30001-41686	LONG STEERING RACK PIPE (RHD)	CD5983
30001-41686	STEERING RACK PIPE (LHD)	CD5928
30001-41686	STEERING RACK PIPE (LHD)	CD5929
30001-41686	STEERING PIPE (Pinion to cooler hose - RHD)	UR20094
30001-41686	STEERING PIPE (Pinion to cooler hose - LHD)	UR20093
30001-41686	STEERING PIPE (Rack to cooler)	UR20534
30001-41686	UNION (High pressure hose to rack)	SPM1220

### Oil Coolers

30001-41686	OIL COOLER	UE75704
30001-41686	HOSE (Oil cooler feed & return)	UR27328

# STEERING - RACK

## STEERING RACK (VIN 30001-41686)

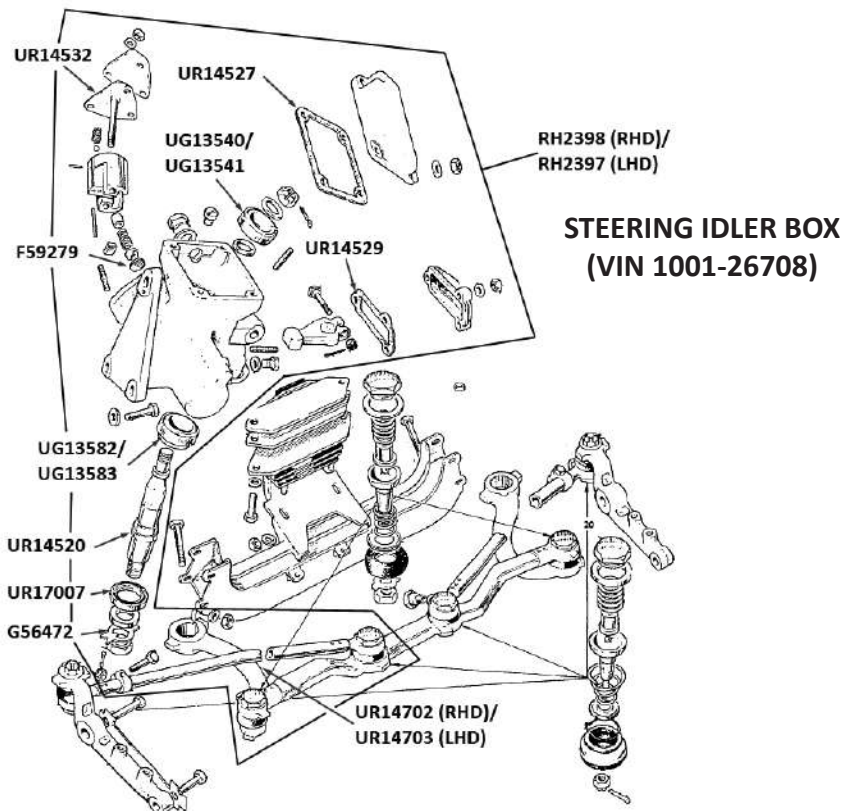


## STEERING PIPES & HOSES (VIN 30001-41686)

# STEERING - IDLER BOX

## Idler Box

1001-26708	RHD STEERING IDLER BOX	RH2398
1001-26708	LHD STEERING IDLER BOX	RH2397
1001-26708	IDLER ARM (RHD steering idler box)	UR14702
1001-26708	MAIN SHAFT (Idler box)	UR14520
1001-26708	MAIN SEAL (Steering idler box)	UR17007
1001-26708	UPPER SHAFT BEARING CONE	UG13540
1001-26708	UPPER SHAFT BEARING CUP	UG13541
1001-26708	LOWER SHAFT BEARING ROLLERS & CAGE	UG13582
1001-26708	LOWER SHAFT BEARING CUP	UG13583
1001-26708	TOP COVER GASKET (Idler box)	UR14527
1001-26708	SIDE COVER GASKET (Idler box)	UR14529
1001-26708	END COVER GASKET (Idler box)	UR14532
1001-26708	LOCKTAB	G56472
1001-26708	DISC (Piston)	F59279



## STEERING - WHEEL & COLUMN

### Steering Wheel

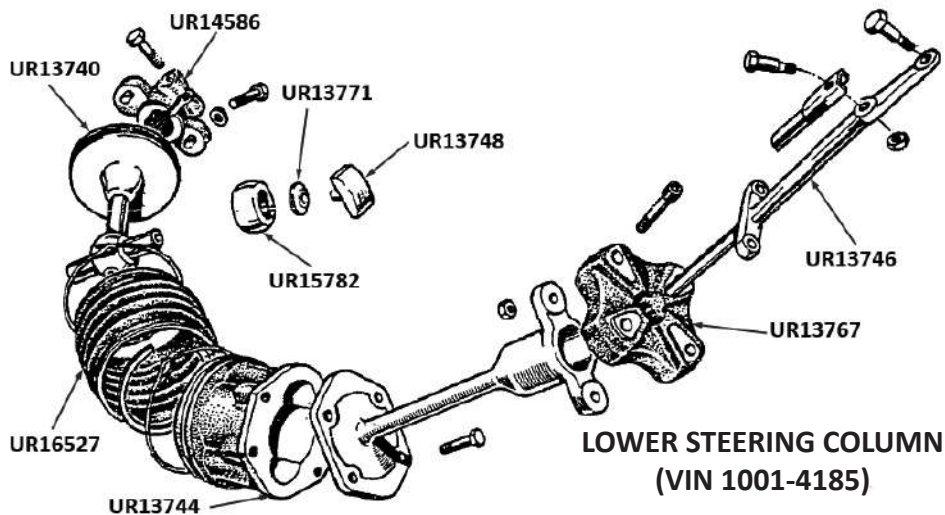
1001-6000	STEERING WHEEL	UR15244
1001-6000	HORN PUSH	UR13948
6001-26708	STEERING WHEEL	UR15546
6001-26708	HORN PUSH	UR15678
30001-41686	STEERING WHEEL	UR20397
30001-41686	HORN PUSH	UR20350
1001-41686	SPRING (Horn push)	RF4435
1001-41686	BRUSH (Horn contact)	UR1790

### Main Column & Cowl

1001-5603	STEERING COLUMN	UR13097
6001-26708	STEERING COLUMN	UR15914
6001-26708	STEERING COLUMN COWL	UR19008
30001-41686	STEERING COLUMN	UR20518
30001-41686	STEERING COLUMN COWL	UR19923

### Lower Steering Column - From VIN 1001 to 4185

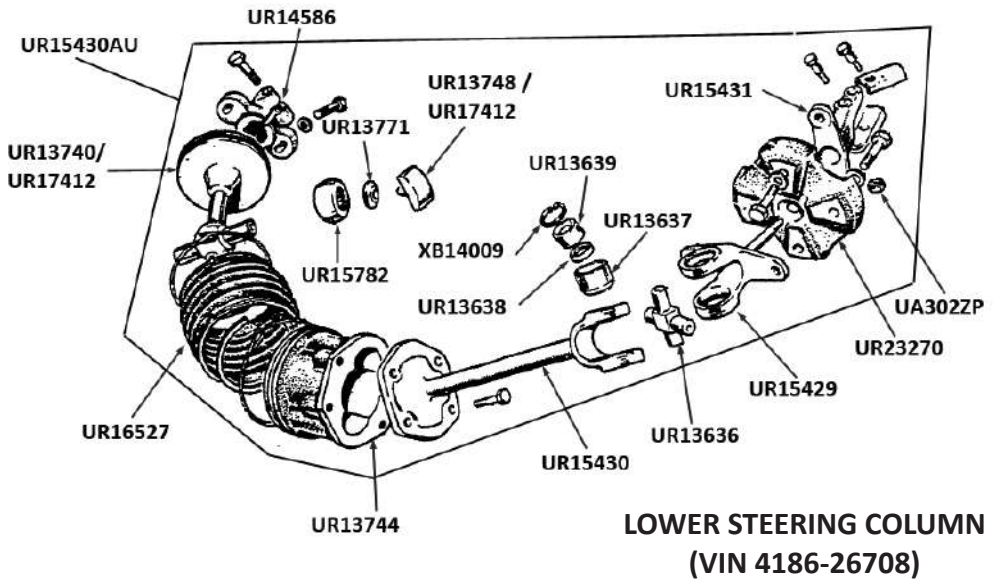
1001-4185	STEERING COLUMN	UR18266
1001-4185	LOWER COLUMN RUBBER GAITER	UR16527
1001-4185	RUBBER COUPLING (Lower steering column)	UR13767
1001-4185	BEARING (Lower column detroit joint)	UR15782
1001-4185	BELLEVILLE WASHER (Lower column detroit joint)	UR13771
1001-4185	END BUTTON (Lower column detroit bearing)	UR13748



## STEERING - LOWER COLUMN

### Lower Steering Column - From VIN 4186 to 26708

4186-26708	LOWER STEERING COLUMN RUBBER COUPLING	UR23270
4186-26708	LOWER COLUMN RUBBER GAITER	UR16527
4186-26708	LOWER STEERING COLUMN INPUT SHAFT ASSEMBLY	UR15430
4186-26708	UNIVERSAL JOINT (Lower steering column)	UR13636
4186-26708	BEARING HOUSING (Lower steering column universal joint)	UR13637
4186-26708	BEARING SEAL (Lower steering column universal joint)	UR13638
4186-26708	BEARING (Lower steering column universal joint)	UR13639
4186-26708	CIRCLIP (Lower steering column UJ bearing)	XB14009
4186-26708	BEARING (Lower column detroit joint)	UR15782
4186-26708	BELLEVILLE WASHER (Lower column detroit joint)	UR13771
4186-11072	END BUTTON (Lower column detroit bearing)	UR13748
11073-26708	END BUTTON (Lower column detroit bearing)	UR17412



### Lower Steering Column - From VIN 30001 to 41686

30001-41686	LOWER STEERING COLUMN RUBBER COUPLING	UR23270
30001-41686	INPUT SHAFT ASSEMBLY	UR20146

## STEERING - TRACK ROD

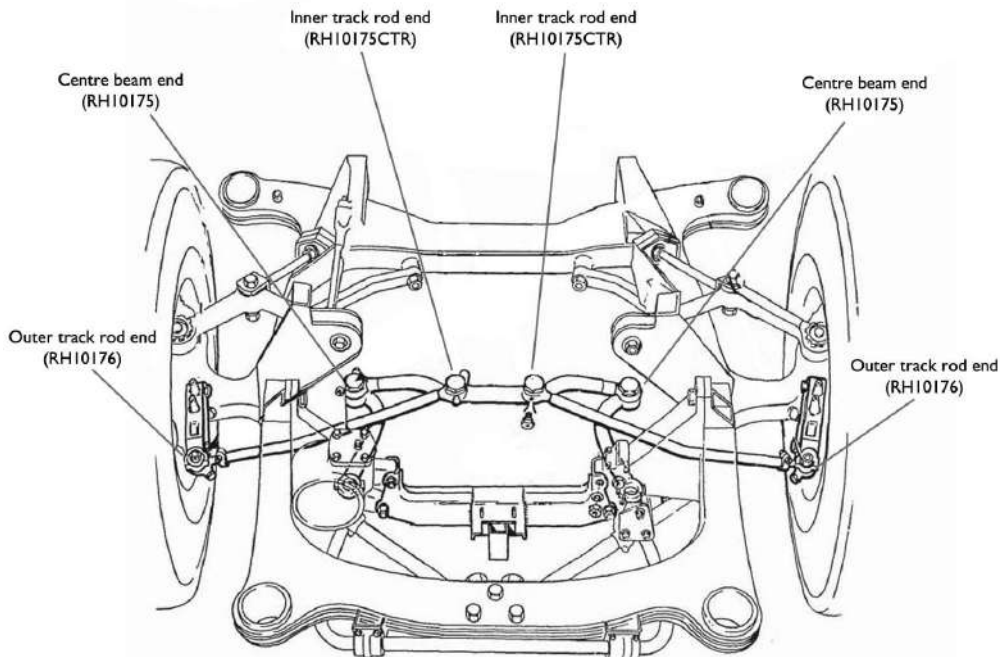
After extensive testing we now offer what we consider to be the best track rod pin kits available anywhere; using modern technology we have been able to improve on the original design standards set by Rolls-Royce. Our pin kits UR12748KIT & UR15145KIT come with TUV European Safety Standard accreditation. Full fitting instructions are supplied.

### General Parts & Tools

1001-26708	GREASE NIPPLE	RE7881
1001-26708	GREASE GUN	GREASEGUN
1001-26708	GREASE GUN ATTACHMENT	GREASEGUNEND
1001-26708	TRACK ROD SEAT LOCATING TOOL	UR12750TOOL
1001-26708	RESISTANCE TOOL (For track rod ball pins)	UR12748TOOL

### Outer Track Rods - From VIN 1001 to 26708

1001-26708	OUTER TRACK ROD END KIT (Containing UR12748KIT, UR14674, UR14672, UR4452, UR14673)	RH10176
1001-26708	OUTER TRACK ROD SEAT (Not shown - pressed into track rod end)	UR12750
1001-26708	OUTER TRACK ROD PIN KIT (Containing UR13456, WHT002911, RF7552, UR12751, RF8789, UR12748)	UR12748KIT
1001-26708	OUTER TRACK ROD BOOT	UR14673
1001-26708	LOCKTAB (Steering Arm)	UR16355

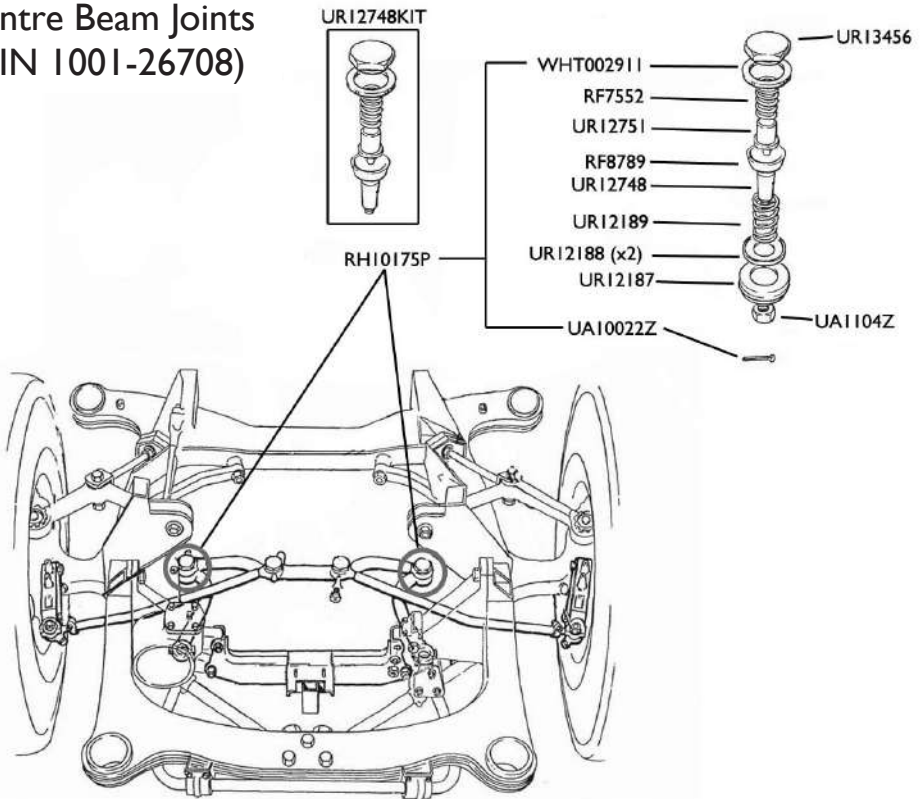


## STEERING - TRACK ROD

Centre Beam Joint - From VIN 1001 to 26708

1001-26708	INNER TRACK ROD END KIT	RH10175
1001-26708	TRACK ROD STEERING PIN KIT	UR12748KIT
1001-26708	INNER TRACK ROD BOOT	UR12187
1001-26708	BALL BEARING	RF8789
1001-26708	SPRING (Inner track rod end seal)	UR12189
1001-26708	PROTECTIVE WASHER (Inner track rod end seal)	UR12188
1001-26708	CASTELLATED NUT	UA1104Z
1001-26708	SPLIT PIN (Outer track rod end)	UA10022Z

### Centre Beam Joints (VIN 1001-26708)

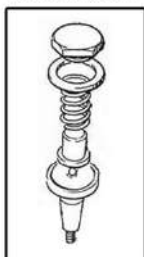


## STEERING - TRACK ROD

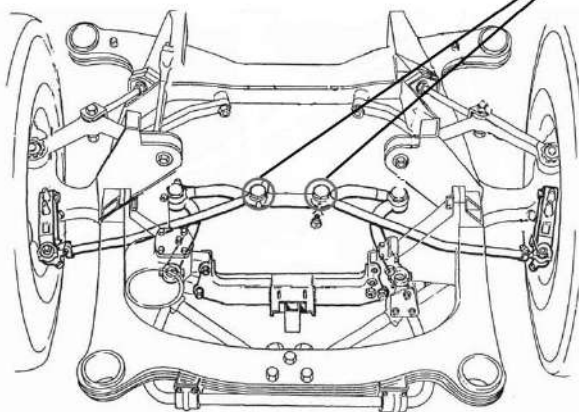
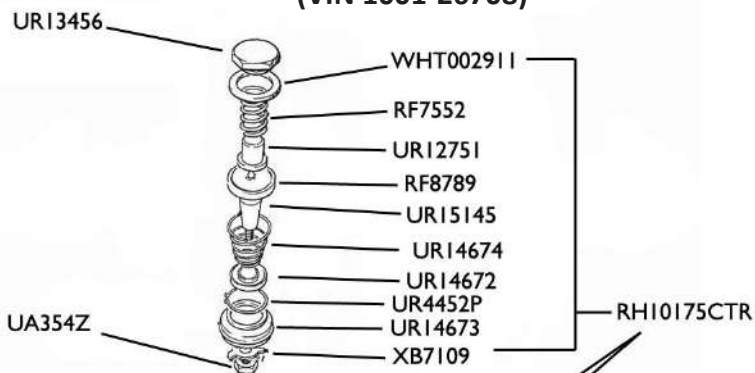
Inner Track Rod Joints - From VIN 1001 to 26708

1001-26708	INNER TRACK ROD END KIT	RH10175CTR
1001-26708	INNER TRACK ROD SEAT	UR12749
1001-26708	INNER TRACK ROD PIN KIT	UR15145KIT
1001-26708	INNER TRACK ROD LOCKTAB	XB7109
1001-26708	RUBBER BOOT (Outer track rod end)	UR14673
1001-26708	BALL BEARING	RF8789
1001-26708	CONICAL SPRING	UR14674
1001-26708	SEAT SPRING SEAL	UR14672
1001-26708	SPRING CLIP (For track rod end boot)	UR4452
1001-26708	NUT	UA354ZP

UR15145KIT



### INNER TRACK ROD (VIN 1001-26708)

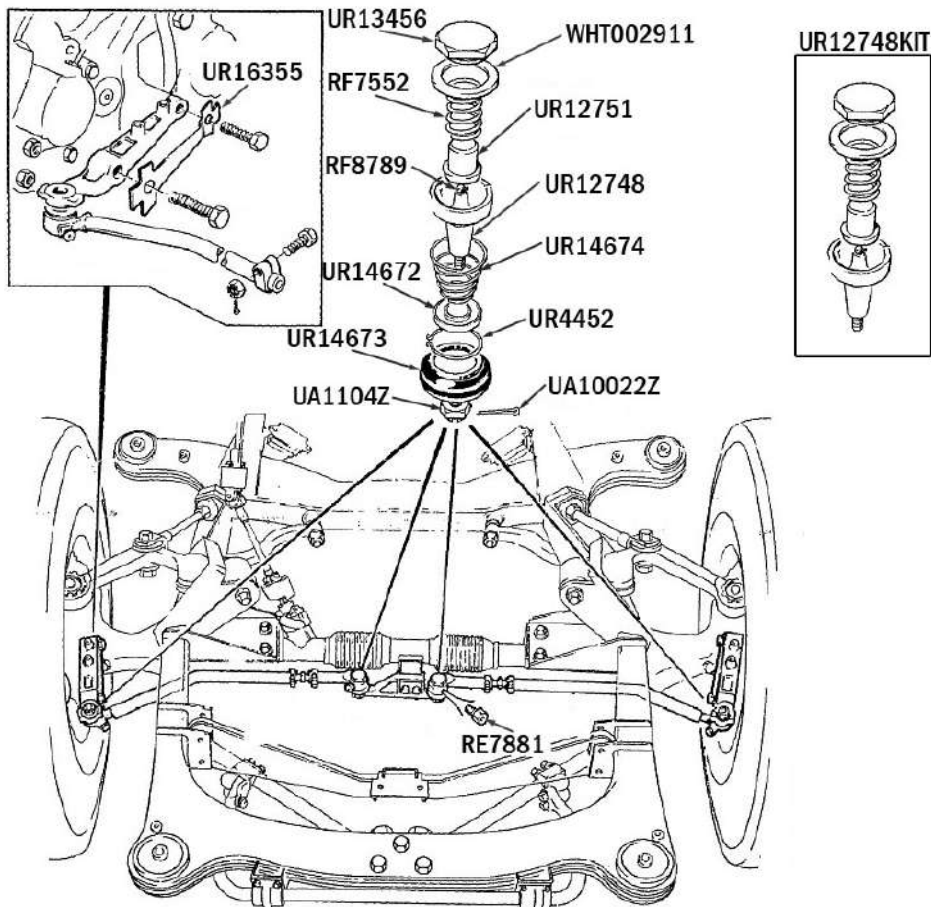




## STEERING - TRACK ROD

Track Rods - From VIN 30001 to 41686

30001-41686	OUTER TRACK ROD END KIT (Containing UR12748KIT, UR14674, UR14672, UR4452, UR14673)	RH10176
30001-41686	OUTER TRACK ROD SEAT	UR12750
30001-41686	OUTER TRACK ROD PIN KIT (Containing UR13456, WHT002911, RF7552, UR12751, RF8789, UR12748)	UR12748KIT
30001-41686	OUTER TRACK ROD BOOT	UR14673
30001-41686	LOCKTAB (Steering Arm)	UR16355



**TRACK ROD  
(VIN 30001-41686)**

## SERVICE ITEMS

Please see our website for full listings of our service kits.

### Filters

1001-26708	OIL FILTER KIT (Includes sump plug washer)	RH10003
30001-41686	OIL FILTER	07V121717
1001-41686	SUMP PLUG WASHER	XB1093R
1001-41686	AIR INTAKE (Pollen) FILTER	UB19273
1001-41686	MAIN FUEL FILTER	CD4299
1001-41686	AIR FILTER (Cylindrical)	UE36200
30001-41686	AIR FILTER (Circular - for cars with Solex carb)	UE38385
1001-41686	GM400 GEARBOX FILTER KIT	RH10009
1001-26708	FUEL WEAKENER FILTER	UE36426
30001-41686	FUEL WEAKENER FILTER	UE40612
1001-4548	POWER STEERING PUMP FILTER (Hobourn Eaton pump)	CD633

### Fluids

1001-41686	RR363 BRAKE FLUID	RR363L1
1001-41686	GEARBOX & PAS FLUID (1 Litre)	DEXRON
1001-41686	COOLANT (5 Litres)	UE70936L5

### Wiper Arms & Blades

1001-41686	WIPER BLADE	UD22556
1001-41686	RHD WIPER ARM	RH9774
1001-41686	LHD WIPER ARM	UD14856
34575-41686	HEADLAMP WIPER ARM & BRUSH	UD25595

### Points & Plugs

1001-8741	TWIN POINTS (2 required)	CD3047
8742-22117	SINGLE POINTS	CD5627
1001-41686	SPARK PLUG	SPC3087

## FRONT SUSPENSION - DAMPER & SPRING

The first Silver Shadow and Bentley T models were fitted with a hydraulic ram on top of a "Short Stroke" front shock absorber. From VIN 11500 (approximately) the front height control system was deleted and a "Long Stroke" front damper was fitted. A number of cars have been modified from short to long stroke shock absorbers. Cars with short stroke shocks still have the T shaped ram on top of them which is visible when you lift the bonnet. Cars with long stroke shocks just have the circular top plate visible under the bonnet through the centre of which you can see the top of the damper piston. Before ordering short stroke dampers please confirm whether your car has been modified. We are happy to supply a kit to modify your car. Further details and information are available on our website.

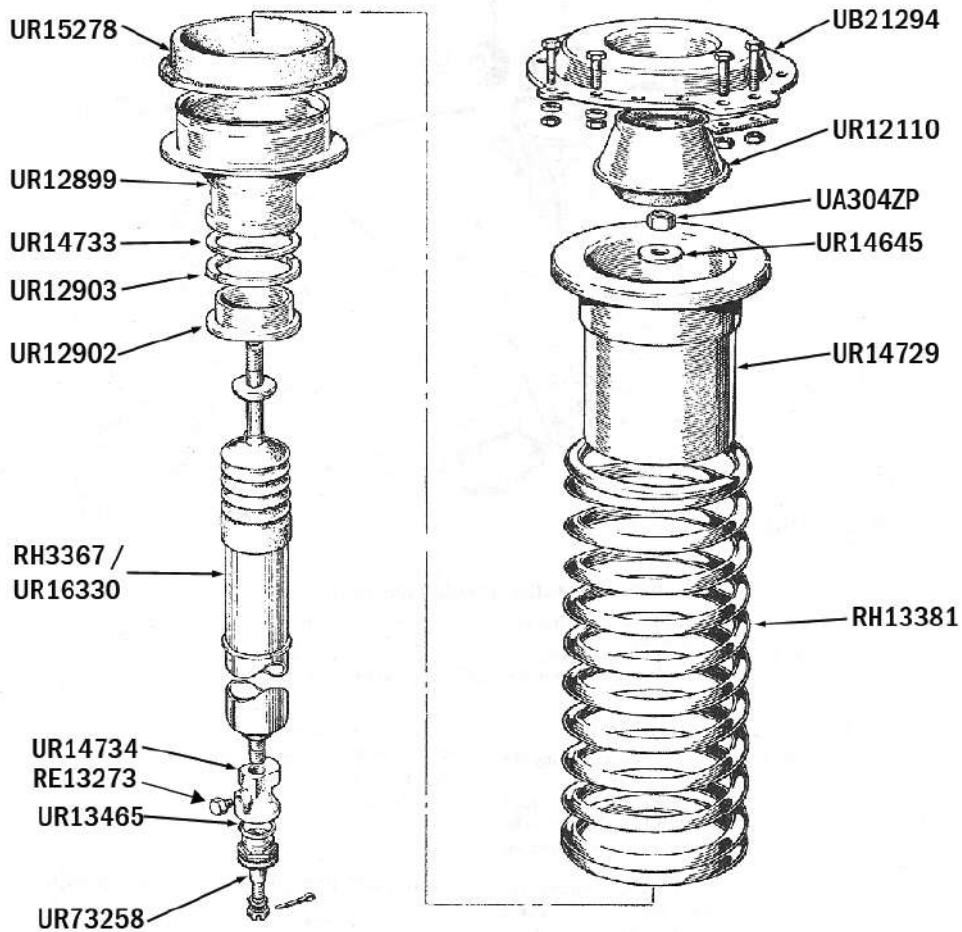
### Short Stroke Front Damper, Spring & Ball Joint

1001-11400	FRONT SHORT STROKE DAMPER KIT	RH3367
1001-11400	FRONT SHORT STROKE DAMPER KIT	UR16330
1001-11400	FRONT ROAD SPRING	RH13381
1001-11400	FRONT SPRING SEAT	UR15278
1001-11400	FRONT SPRING SUPPORT	UR12899
1001-11400	DISTANCE PIECE (0.064" thick)	UR14733
1001-11400	HEIGHT ADJUSTING SHIM 0.25" (Front springs)	UR12903
1001-11400	DAMPER SLEEVE (For spring support)	UR12902
1001-11400	FRONT DAMPER BALL JOINT HOUSING	UR14734
1001-11400	ADJUSTING SHIM 0.010" (Front damper ball joint)	UR13465
1001-11400	DAMPER BALL JOINT	UR73258
1001-11400	BOOT & SPRING FOR FRONT DAMPER BALL JOINT	UR73258B

### Long Stroke Damper Conversion Kits

1001-11400	LONG STROKE FRONT DAMPER KIT (Bilstein)	UR71744
1001-11400	TOP PLATE & FITTINGS (Front spring)	UR23569
1001-11400	GASKET FOR SPRING POT	UR72172

# FRONT SUSPENSION - DAMPER & SPRING



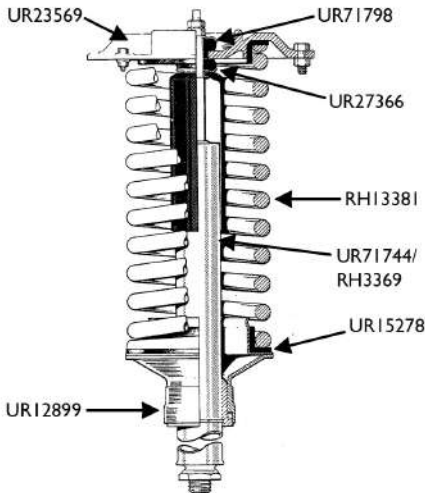
**SHORT STROKE FRONT DAMPER &  
SPRING ASSEMBLY  
(VIN 1001-11400)**

# FRONT SUSPENSION - DAMPER & SPRING

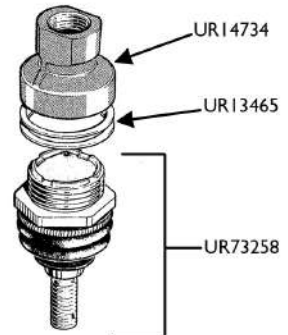
## Long Stroke Front Damper, Spring & Ball Joint

11401-41686	LONG STROKE FRONT DAMPER KIT (Bilstein)	UR71744
11401-41686	LONG STROKE FRONT SHOCK ABSORBER (Boge)	RH3369
11401-41686	FRONT ROAD SPRING	RH13381
11401-41686	DAMPER STEM RUBBER (Plain)	UR27366
11401-41686	DAMPER STEM RUBBER (Stepped)	UR71798
11401-41686	FRONT SPRING SUPPORT	UR12899
11401-41686	FRONT SPRING SEAT	UR15278
11401-41686	DAMPER SLEEVE (For spring support)	UR12902
11401-41686	DISTANCE PIECE (0.064" thick)	UR14733
11401-41686	HEIGHT ADJUSTING SHIM 0.25" (Front springs)	UR12903
11401-41686	FRONT DAMPER BALL JOINT HOUSING	UR14734
11401-41686	ADJUSTING SHIM 0.010" (Front damper ball joint)	UR13465
11401-41686	DAMPER BALL JOINT	UR73258
11401-41686	BOOT & SPRING FOR FRONT DAMPER BALL JOINT	UR73258B
11401-41686	PLASTIC CAP FRONT SHOCK ABSORBER	SPC3734
11401-41686	TOP PLATE & FITTINGS (Front spring)	UR23569

LONG STROKE FRONT DAMPER & SPRING ASSEMBLY (VIN 11401 - 41686)



FRONT DAMPER BALL JOINT ASSEMBLY



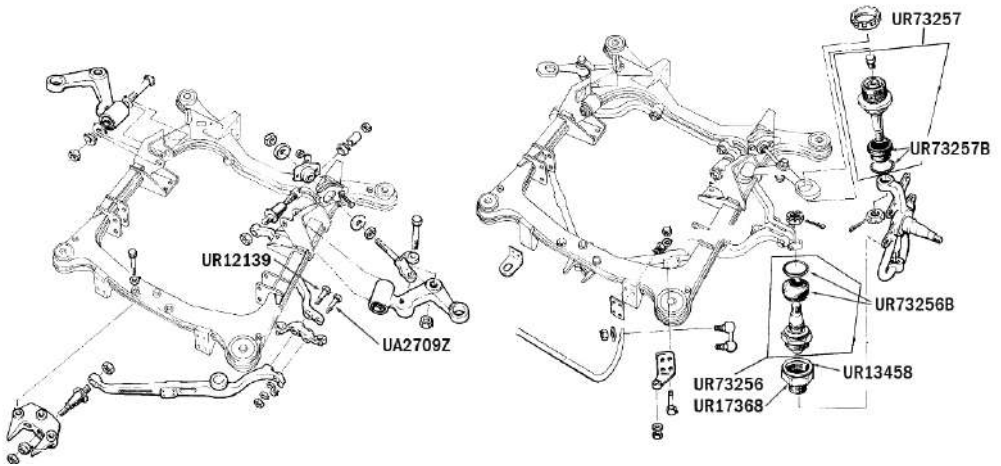
## FRONT SUSPENSION - BALL JOINTS

### Upper Ball Joint

1001-41686	UPPER BALL JOINT	UR73257
1001-41686	BOOT & SPRING FOR UPPER BALL JOINT	UR73257B
1001-41686	UPPER BALL JOINT KIT	UR73257K
1001-41686	UPPER BALL JOINT REMOVAL TOOL	RH7775

### Lower Ball Joint

1001-41686	LOWER BALL JOINT	UR73256
1001-41686	BOOT & SPRING FOR LOWER BALL JOINT	UR73256B
1001-41686	LOWER BALL JOINT KIT	UR73256K
1001-41686	ADAPTER (Bottom ball joint)	UR17368
1001-41686	ADJUSTING SHIM 0.010" (Bottom ball joint)	UR13458
1001-41686	LOCKTAB (Steering Arm)	UR16355
1001-41686	STEERING ARM BOLT (Small)	UA2709Z
1001-41686	STEERING ARM BOLT (Large)	UR12139
1001-41686	LOWER BALL JOINT REMOVAL TOOL	UR73256TOOL

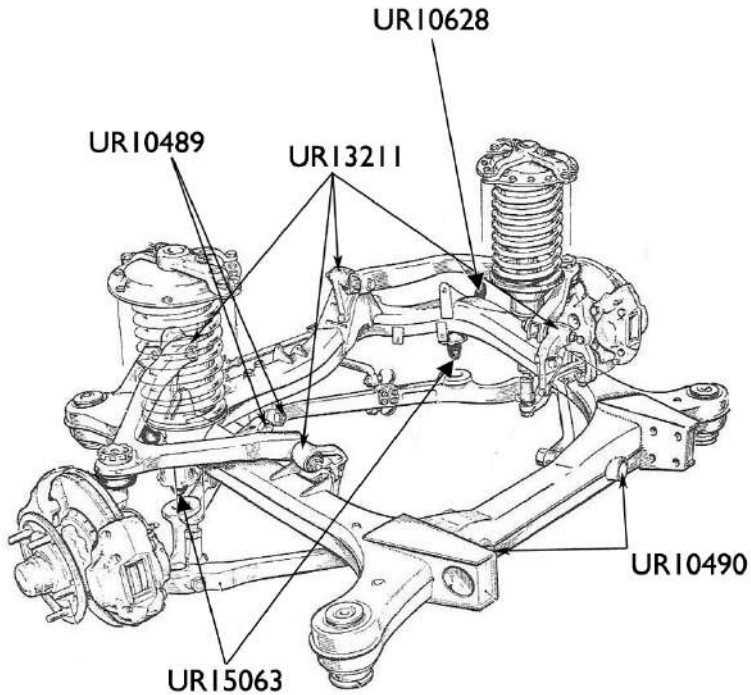


## BALL JOINTS

## FRONT SUSPENSION - PINS & BUSHES

Non-Compliant Front Suspension - From VIN 1001 to 13484

1001-13484	UPPER BEARING PIN (4 per car)	UR13211
1001-13484	FRONT LOWER BEARING PIN (2 per car)	UR10489
1001-13484	REAR LOWER BEARING PIN (2 per car)	UR10490
1001-13484	BEARING PIN WASHER (1 per pin)	UR17155
1001-13484	STEERING ARM BOLT (Small)	UA2709Z
1001-13484	STEERING ARM BOLT (Large)	UR12139
1001-13484	LOCKTAB (Steering Arm)	UR16355
1001-13484	BUMP STOP (Upper triangle lever)	UR10628
1001-13484	BUMP STOP (Lower triangle lever)	UR15063

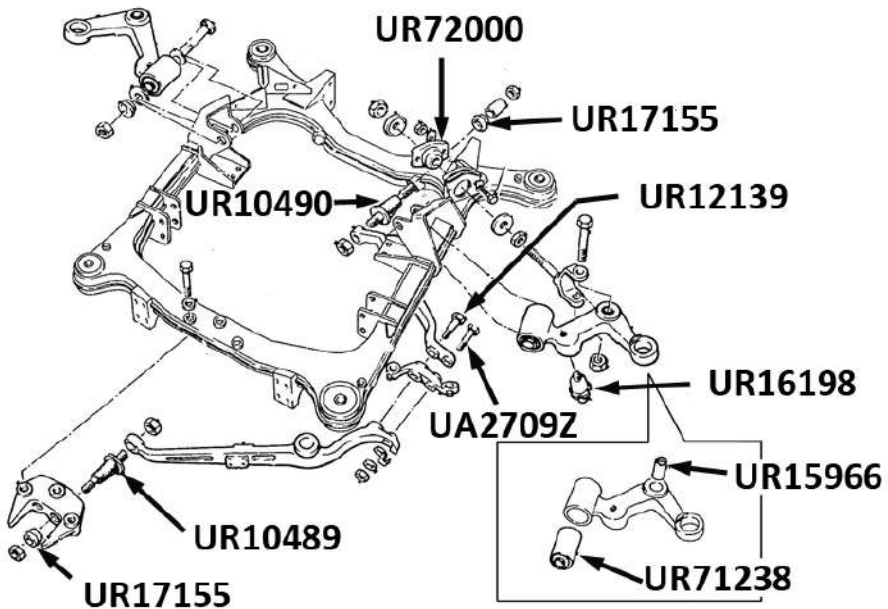


**NON-COMPLIANT FRONT SUSPENSION  
(VIN 1001-13484)**

## FRONT SUSPENSION - PINS & BUSHES

Compliant Front Suspension - From VIN 13485 to 41686

13485-41686	FRONT LOWER BEARING PIN (2 per car)	UR10489
13485-41686	REAR LOWER BEARING PIN (2 per car)	UR10490
13485-41686	BEARING PIN WASHER (1 per pin)	UR17155
13485-41686	COMPLIANT MOUNT	UR72000
13485-41686	MAIN CAMBER BUSH	UR71238
13485-41686	SMALL CAMBER BUSH	UR15966
13485-41686	STEERING ARM BOLT (Small)	UA2709Z
13485-41686	STEERING ARM BOLT (Large)	UR12139
13485-41686	LOCKTAB (Steering Arm)	UR16355
13485-41686	BUMP STOP (Compliant arm)	UR16198
13485-41686	BUMP STOP (Lower triangle lever)	UR15063



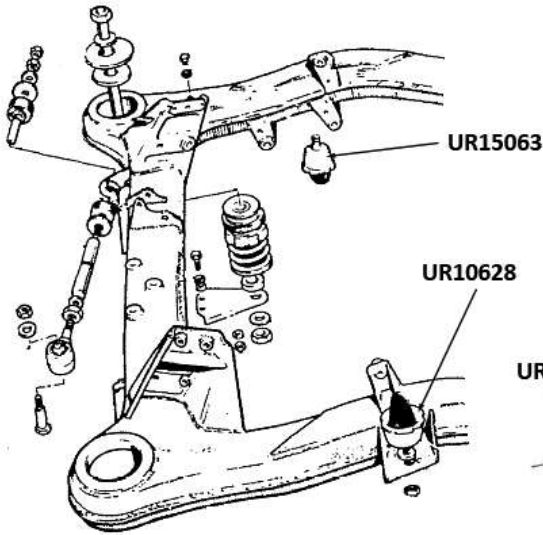
**COMPLIANT FRONT SUSPENSION  
(VIN 13485-41686)**



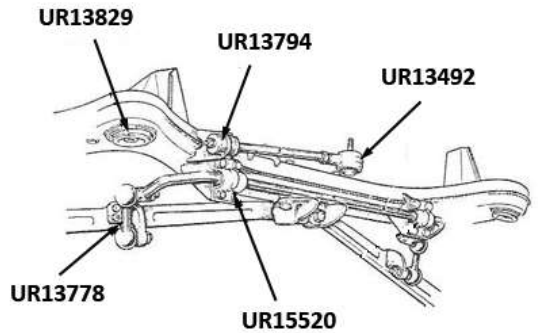
# FRONT SUSPENSION

Front Subframe & Anti-Roll Bar Linkage - From VIN 1001 to 13484

1001-13484	FRONT SUBFRAME MOUNT	UR13829
1001-13484	FRONT SUBFRAME MOUNT REMOVAL TOOL	RH7774/8576
1001-13484	PANHARD ROD BUSH	UR13794
1001-13484	FRONT ANTI-ROLL BAR RUBBER	UR15520
1001-13484	ANTI-ROLL BAR LINK	UR13778
1001-13484	BUMP STOP (Lower triangle lever)	UR15063
1001-13484	BUMP STOP (Upper triangle lever)	UR10628



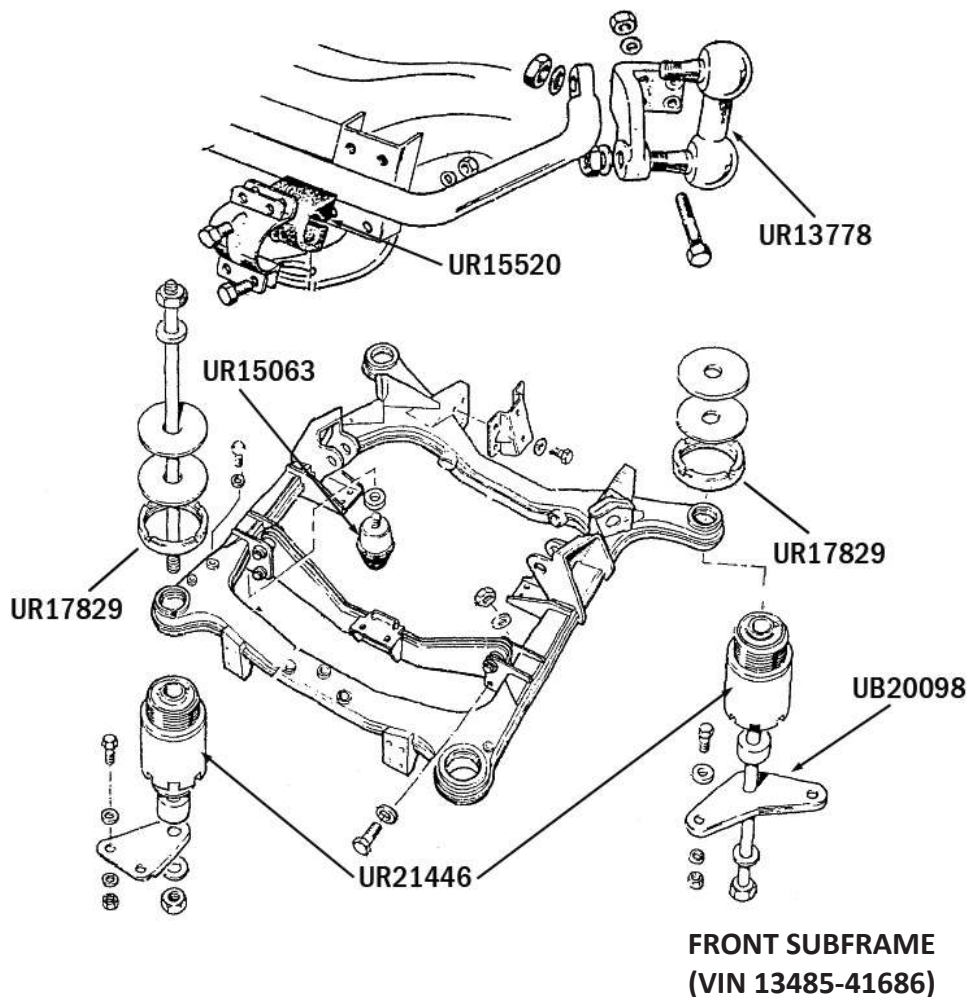
**FRONT SUBFRAME  
(VIN 1001-13484)**



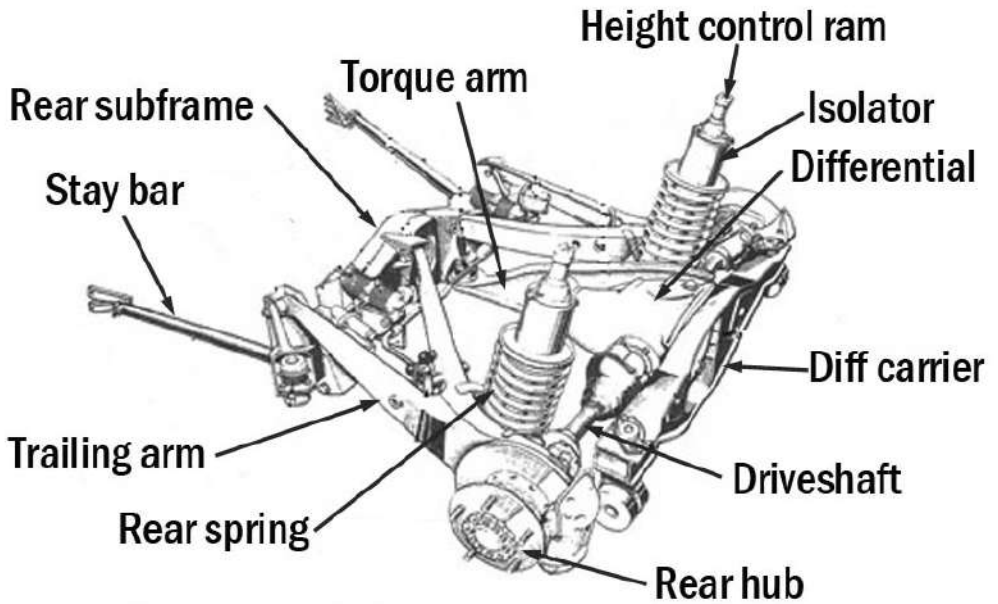
## FRONT SUSPENSION

Front Subframe & Anti-Roll Bar Linkage - From VIN 13485 to 41686

13485-41686	FRONT SUBFRAME MOUNT	UR21446
13485-41686	FRONT SUBFRAME MOUNT REMOVAL TOOL	RH7774/8576
13485-41686	FRONT ANTI-ROLL BAR RUBBER	UR15520
13485-41686	ANTI-ROLL BAR LINK	UR13778
13485-41686	BUMP STOP (Lower triangle lever)	UR15063
13485-41686	BUMP STOP (Compliant arm)	UR16198



## REAR SUSPENSION

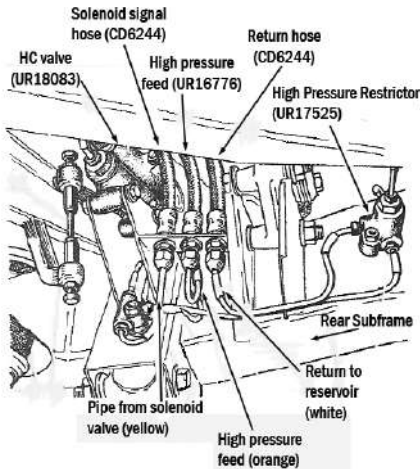


# REAR SUSPENSION - HEIGHT CONTROL

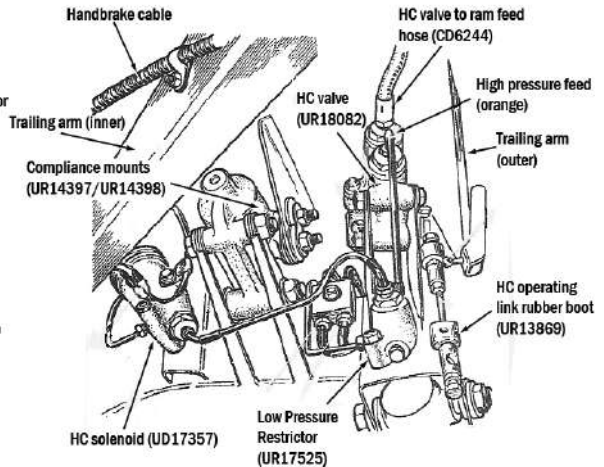
## Rear Height Control System

1001-41686	RH HEIGHT CONTROL VALVE	UR18082
1001-41686	LH HEIGHT CONTROL VALVE	UR18083
1001-41686	HEIGHT CONTROL VALVE SEAL KIT	RH2436
1001-41686	HEIGHT CONTROL VALVE SHAFT	UR16887
1001-41686	BUSH (For HCV shaft)	UR17828
1001-41686	RUBBER HEIGHT CONTROL HOSE	CD6244
1001-41686	HEIGHT CONTROL RAM	UR15502
1001-41686	HEIGHT CONTROL RAM (Drophead models)	UR18260
1001-41686	HEIGHT CONTROL RAM SEAL KIT	RH2714
1001-41686	HEIGHT CONTROL SOLENOID	UD17357
1001-41686	HEIGHT CONTROL SOLENOID SEAL KIT	UD17357KIT
1001-41686	HEIGHT CONTROL SOLENOID RUBBER COVER	UD15115
1001-41686	BRAIDED HIGH PRESSURE HOSE	UR16776
1001-41686	RESTRICTOR VALVE	UR17525
1001-41686	SEALING RING (Restrictor valve)	UE10149

**LH Rear Height Control Valve (early models)**



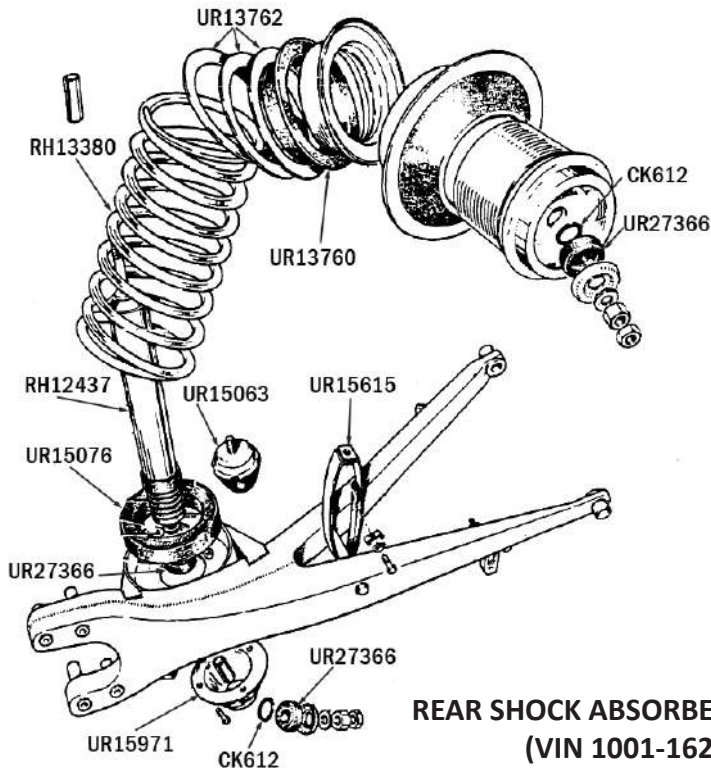
**RH Rear Height Control Valve**



## REAR SUSPENSION - SPRINGS & SHOCKS

Rear Shock Absorbers & Springs - 4 Door cars - From VIN 1001 to 16213

1001-16213	REAR SHOCK ABSORBER (Bilstein)	RH12437
1001-16213	REAR SHOCK ABSORBER (Boge)	RH3374
1001-16213	UPRATED REAR SHOCK ABSORBER (Boge)	RH3373
1001-16213	REAR ROAD SPRING	RH13380
4168-16213	SEALING RING	CK612
1001-16213	ADJUSTING SHIM (Rear spring)	UR13762
1001-16213	REAR SPRING SEAT (Upper)	UR13760
1001-16213	REAR SPRING SEAT (Lower)	UR15076
1001-16213	DAMPER STEM RUBBER (Plain - 4 in total)	UR27366
1001-16213	LOWER CONE (Rear damper)	UR15971
1001-16213	REAR ISOLATOR MODIFICATION KIT (To modify to later isolator setup)	REARISO
1001-41686	THICK SHIM (0.5")	UR16872



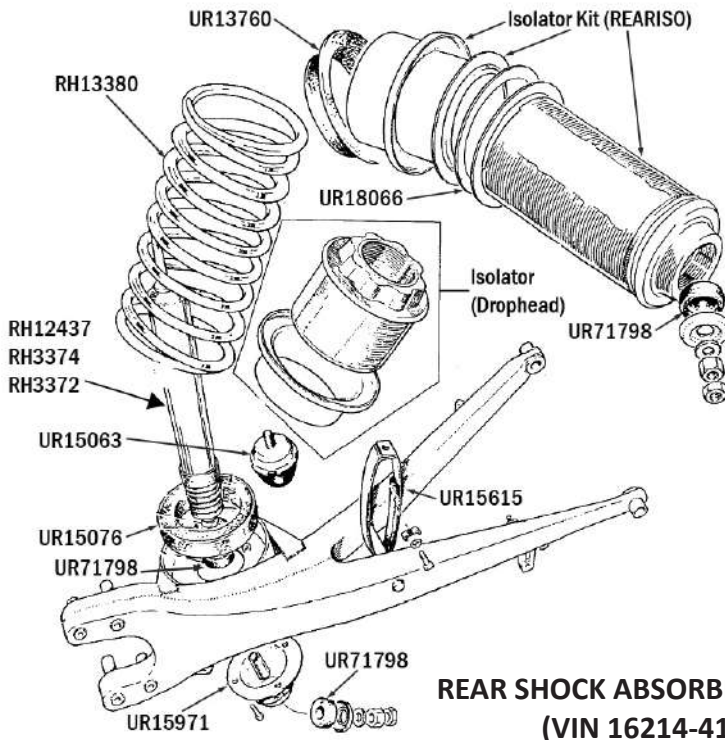
## REAR SUSPENSION - SPRINGS & SHOCKS

Rear Shock Absorbers & Springs - 4 Door & 2 Door Fixed Head models - From VIN 16214 to 41686

16214-41686	REAR SHOCK ABSORBER (Bilstein)	RH12437
16214-41686	REAR SHOCK ABSORBER (Boge)	RH3374
16214-41686	UPRATED REAR SHOCK ABSORBER (Boge)	RH3373
16214-41686	DAMPER STEM RUBBER (Stepped - 4 in total)	UR71798
16214-41686	REAR ROAD SPRING	RH13380
16214-41686	REAR ISOLATOR SHIM	UR18066
16214-41686	REAR SPRING SEAT (Upper)	UR13760
16214-41686	REAR SPRING SEAT (Lower)	UR15076
16214-41686	LOWER CONE (Rear damper)	UR15971
1001-41686	THICK SHIM (0.5")	UR16872

Rear Shock Absorbers & Springs - Drophead models

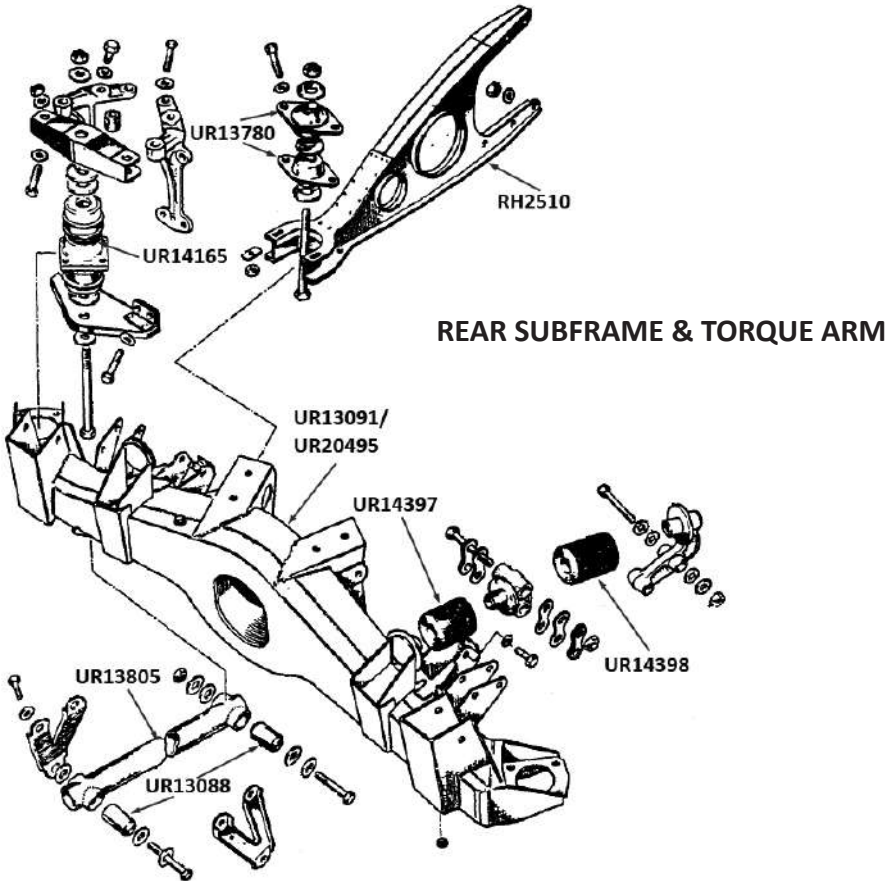
1001-41686	REAR SHOCK ABSORBER	RH3372
1001-41686	DAMPER STEM RUBBER (Plain)	UR27366
1001-41686	DAMPER STEM RUBBER (Stepped)	UR71798
1001-41686	REAR ROAD SPRING	RH13382



## REAR SUSPENSION - REAR SUBFRAME

### Rear Subframe, Stay Bars & Torque Arm

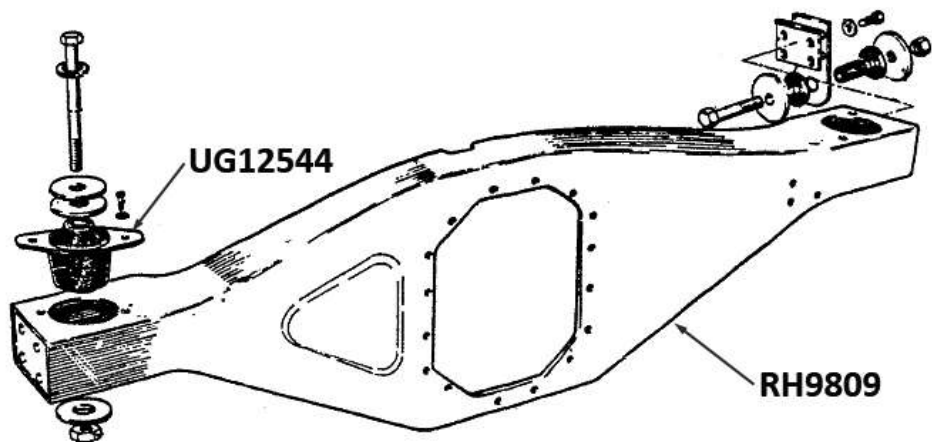
1001-4257	REAR SUBFRAME/ CROSSMEMBER	UR13091
4258-41686	REAR SUBFRAME/ CROSSMEMBER	UR20495
1001-41686	REAR SUBFRAME COMPLIANT CUSHION (Small)	UR14397
1001-41686	REAR SUBFRAME COMPLIANT CUSHION (Large)	UR14398
1001-41686	DELANEY CUSHION	UR14165
1001-41686	STAY BAR	UR13805
1001-41686	TORQUE ARM	RH2510
1001-41686	TORQUE ARM MOUNT (2 per arm)	UR13780



## REAR SUSPENSION - DIFF CARRIER

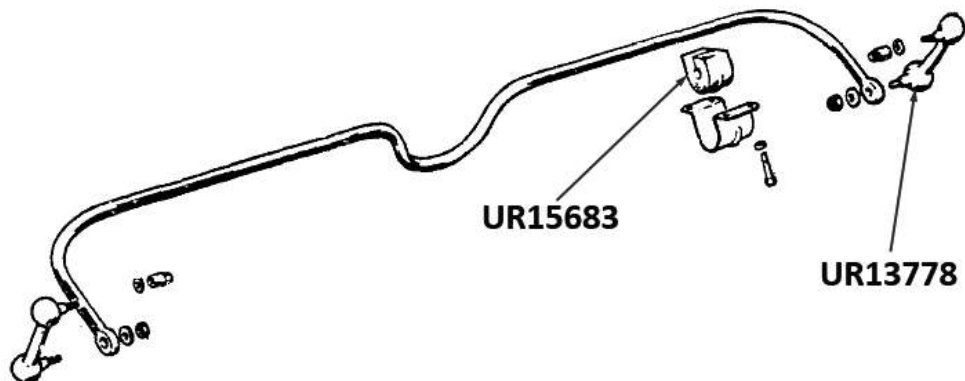
### Diff Carrier & Mounts

1001-41686	DIFF CARRIER	RH9809
1001-41686	DIFF CARRIER MOUNT (2 per carrier)	UG12544



### Rear Anti-Roll Bar

1001-41686	ANTI-ROLL BAR LINK	UR13778
1001-41686	REAR ANTI-ROLL BAR BUSH	UR15683
1001-41686	HARVEY BAILEY UPRATED REAR ANTI-ROLL BAR	HBKESYRARB

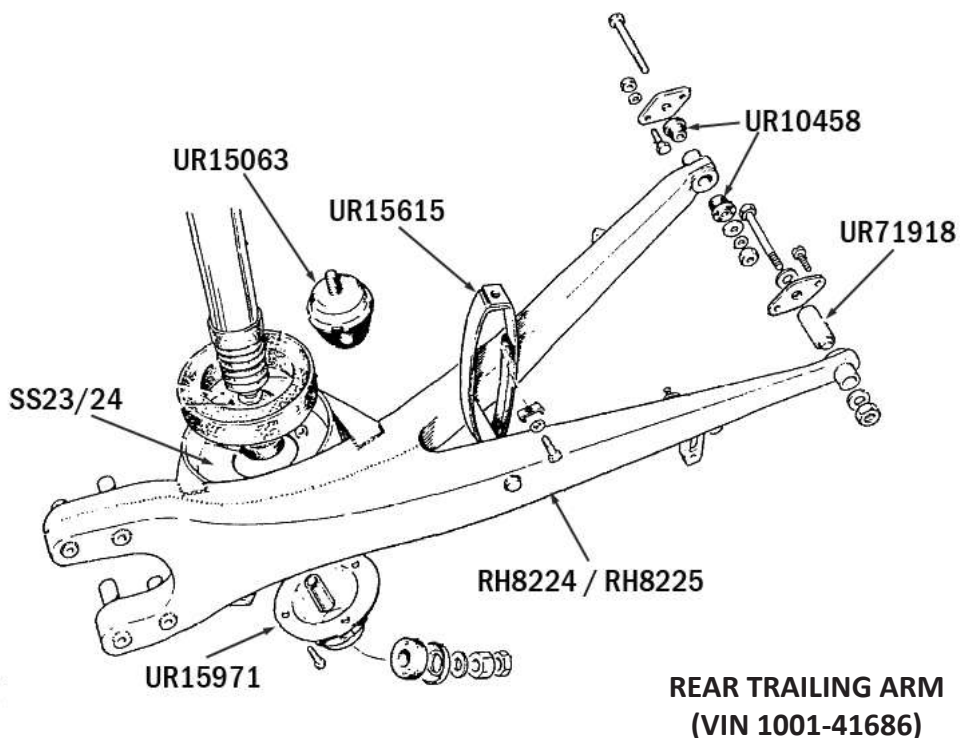




## REAR SUSPENSION - TRAILING ARM

### Rear Trailing Arms

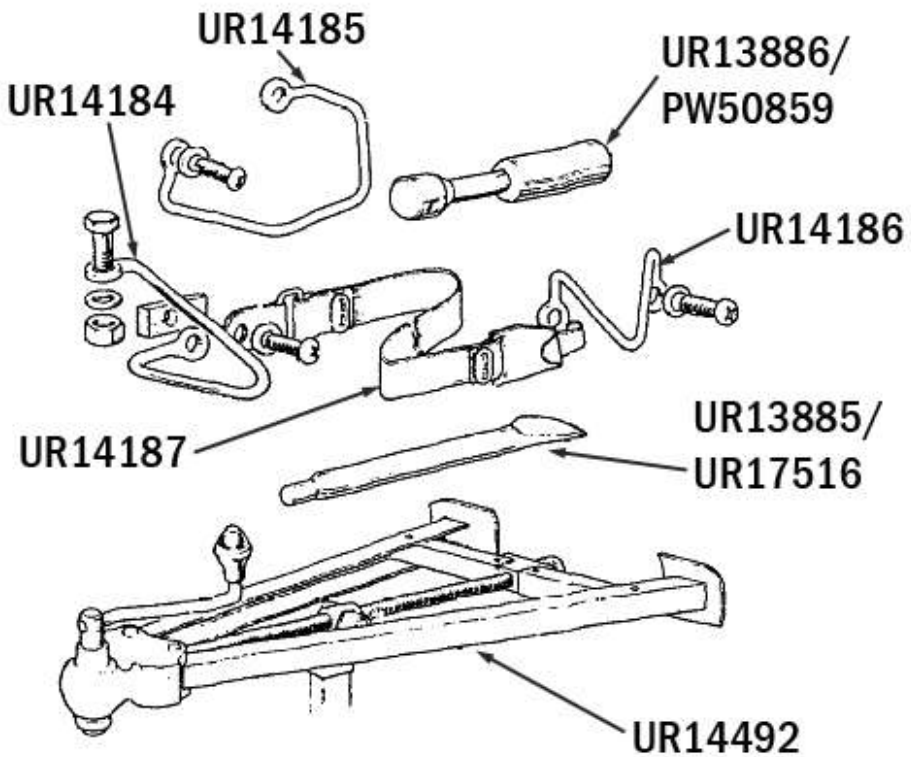
1001-41686	TRAILING ARM SPRING CUP REPAIR SECTION	SS23/24
1001-41686	RH TRAILING ARM	RH8224
1001-41686	LH TRAILING ARM	RH8225
1001-41686	TRAILING ARM INNER BUSH (2 per arm)	UR10458
1001-41686	TRAILING ARM OUTER BUSH (1 per arm)	UR71918
1001-41686	TRAILING ARM CHECK STRAP	UR15615
1001-41686	BUMP STOP (Trailing arm)	UR15063



# TOOLS

## Tool Bag

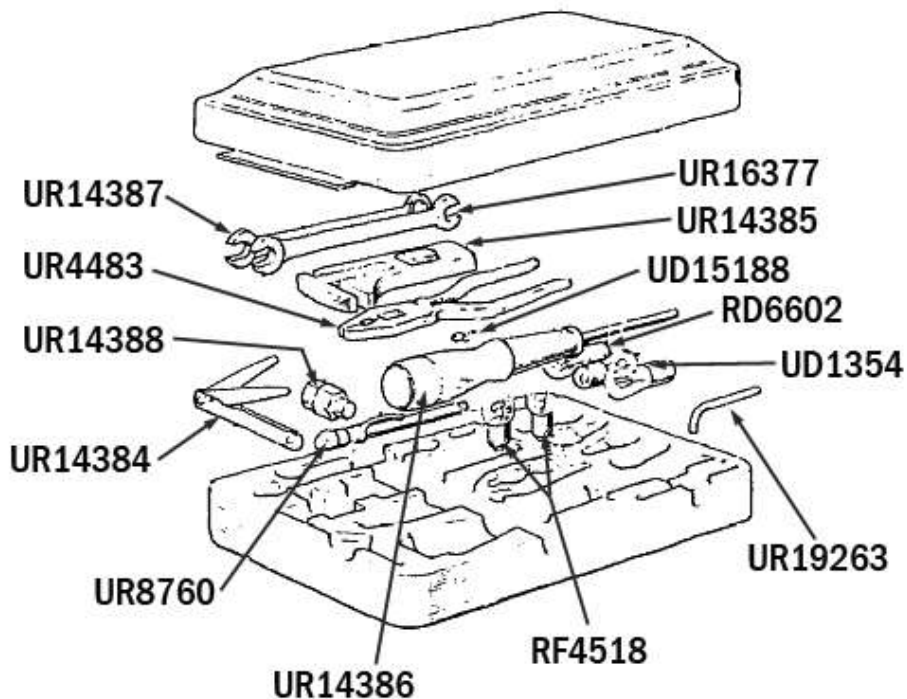
1001-41686	JACK	UR14492
1001-41686	TOMMY BAR	UR13885
1001-41686	TOMMY BAR (2 Door models)	UR17516
1001-41686	WHEEL BRACE	UR13886
1001-41686	WHEEL BRACE (2 Door models)	PW50859
1001-41686	JACK BAG	UR14383
1001-41686	RETAINING STRAP FOR JACK BAG	UR14187
1001-41686	REAR SUPPORT BRACKET (Tool bag)	UR14185
1001-41686	ANCHOR PIECE (Tool bag)	UR14186
1001-41686	FORWARD SUPPORT BRACKET (Tool bag)	UR14184



## TOOLS - TOOL BOX

Tool Kit (Flat lid) - From VIN 1001 to 35221 approx

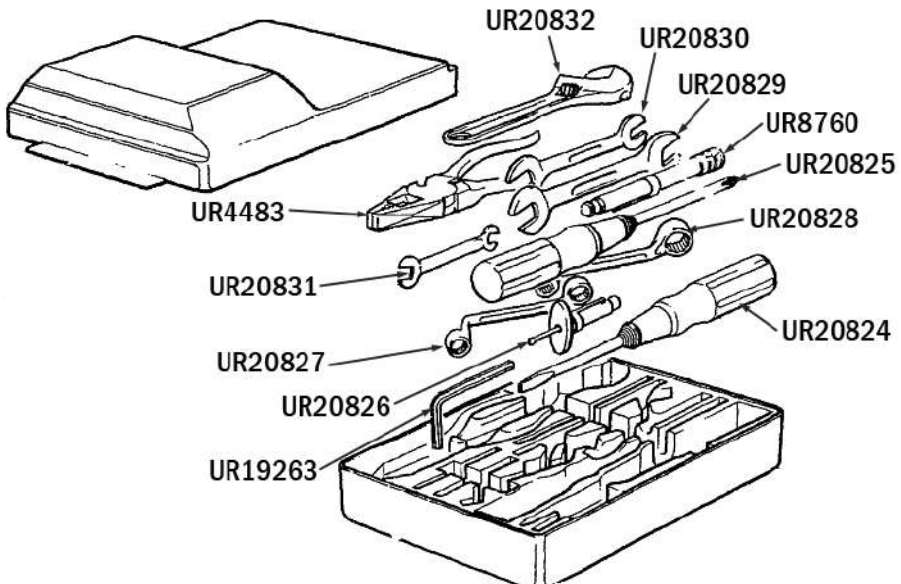
1001-35221	TOOL KIT (Containing parts listed below)	UR16383
1001-35221	SUMP PLUG ADAPTOR	UR14388
1001-35221	SCREW DRIVER	UR14386
1001-35221	JAWED SPANNER	UR14385
1001-35221	FEELER GAUGE	UR14384
1001-35221	SPANNER (1/2" Jaw & ring)	UR14387
1001-35221	JAW SPANNER (1/2" & 9/16")	UR16377
1001-35221	ALLEN KEY (Mascot)	UR19263
1001-35221	TYRE PRESSURE GAUGE	UR8760
1001-35221	BULB (12V 21/5W - Stop lamp)	RD6602
1001-35221	BULB (12V / 21W)	UD1354
1001-35221	BULB (12V / 24W)	RF4518
1001-35221	CAPLESS BULB (12V / 3W - Side marker lamp)	UD15188



## TOOLS - TOOL BOX

Tool Kit (Raised lid) - From VIN 35222 approx to 41686

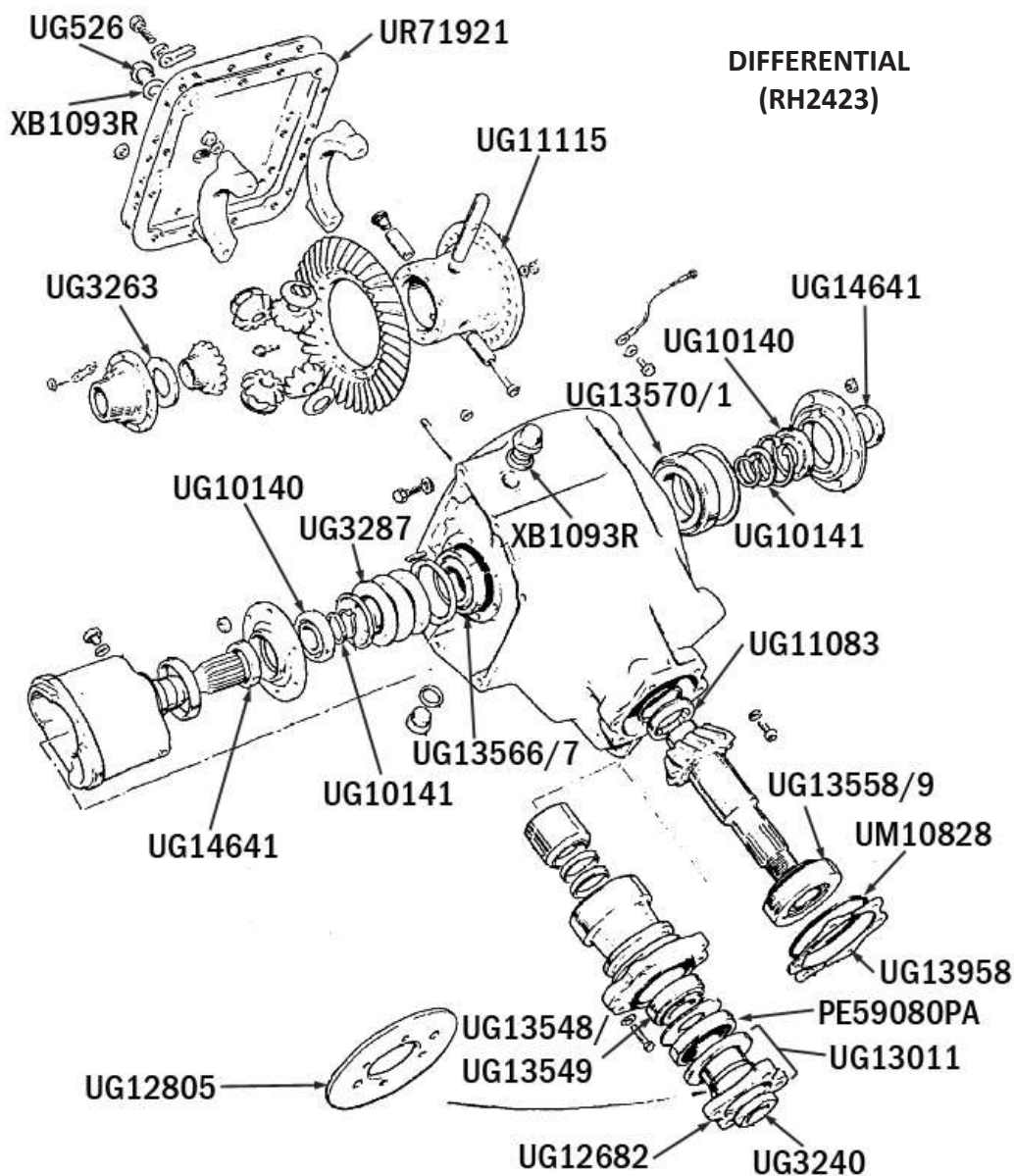
35222-41686	TOOL KIT (Containing parts listed below)	UR20812
35222-41686	ADJUSTABLE SPANNER	UR20832
35222-41686	SPANNER (Open ended 1/2" & 7/16" AF)	UR20830
35222-41686	OPEN-ENDED SPANNER (9/16" & 1/2" AF)	UR20829
35222-41686	TYRE PRESSURE GAUGE	UR8760
35222-41686	SCREWDRIVER (4" Pozidrive)	UR20825
35222-41686	OFF-SET RING SPANNER (9/16" & 1/2" AF)	UR20828
35222-41686	TYRE TREAD DEPTH GAUGE	UR20826
35222-41686	SCREWDRIVER (4" Slotted)	UR20824
35222-41686	ALLEN KEY (Mascot)	UR19263
35222-41686	OFF-SET RING SPANNER (1/2" & 7/16" AF)	UR20827
35222-41686	SPANNER (2BA & 4BA Open ended)	UR20831
35222-41686	PLIERS	UR4483
35222-41686	BULB (12V 21/5W - Stop lamp)	RD6602
35222-41686	BULB (12V / 21W)	UD1354
35222-41686	BULB (12V / 6W - Number plate lamp)	RD4997
35222-41686	BULB (12V / 24W)	RF4518
35222-41686	BULB (12V / 4W - Wing repeater lamp)	UD11624
35222-41686	CAPLESS BULB (12V / 3W - Side marker lamp)	UD15188
35222-41686	FESTOON BULB (12V / 5W)	RD4241



## TRANSMISSION & FINAL DRIVE - DIFFERENTIAL/AXLE

Differential		
1001-41686	DIFF ASSEMBLY	RH2423
1001-41686	DIFF PINION SEAL	PE59080PA
1001-41686	OUTPUT SHAFT SEAL	UG14641
1001-41686	GASKET (Rear diff casing)	UR71921
1001-41686	SUMP PLUG	UG526
1001-41686	SUMP PLUG WASHER	XB1093R
1001-41686	NUT (Diff pinion flange)	UG3240
1001-41686	FLANGE (Diff pinion)	UG12682
1001-41686	BEARING CONE (Diff pinion)	UG13548
1001-41686	BEARING CUP (Diff pinion)	UG13549
1001-41686	DAMPER	UG12805
1001-41686	DIFF PINION FLANGE ASSEMBLY	UG13011
1001-41686	ADJUSTING WASHER (0.120" Bearing housing)	UG13958
1001-41686	SEALING RING (Pinion bearing)	UM10828
1001-41686	BEARING CONE (Inner diff pinion bearing)	UG13558
1001-41686	BEARING CUP (Inner diff pinion bearing)	UG13559
1001-41686	CENTRE PINION BEARING	UG11083
1001-41686	OUTPUT SHAFT BEARING	UG10140
1001-41686	SPACING WASHER (Output shaft bearing)	UG10141
1001-41686	BEARING CONE (LH diff housing)	UG13570
1001-41686	BEARING CUP (LH diff housing)	UG13571
1001-41686	BEARING CONE (RH diff housing)	UG13566
1001-41686	BEARING CUP (RH diff housing)	UG13567
1001-41686	BELLEVILLE WASHER (Diff housing bearings)	UG3287
1001-41686	ADJUSTING WASHER 0.084" (Bevel gear)	UG3263
1001-41686	HOUSING (Bevel gears)	UG11115
1001-41686	LOAN OF DIFF PINION REMOVAL TOOL	RH8457LOAN

# TRANSMISSION & FINAL DRIVE - DIFFERENTIAL/AXLE



## TRANSMISSION & FINAL DRIVE - DRIVE SHAFT

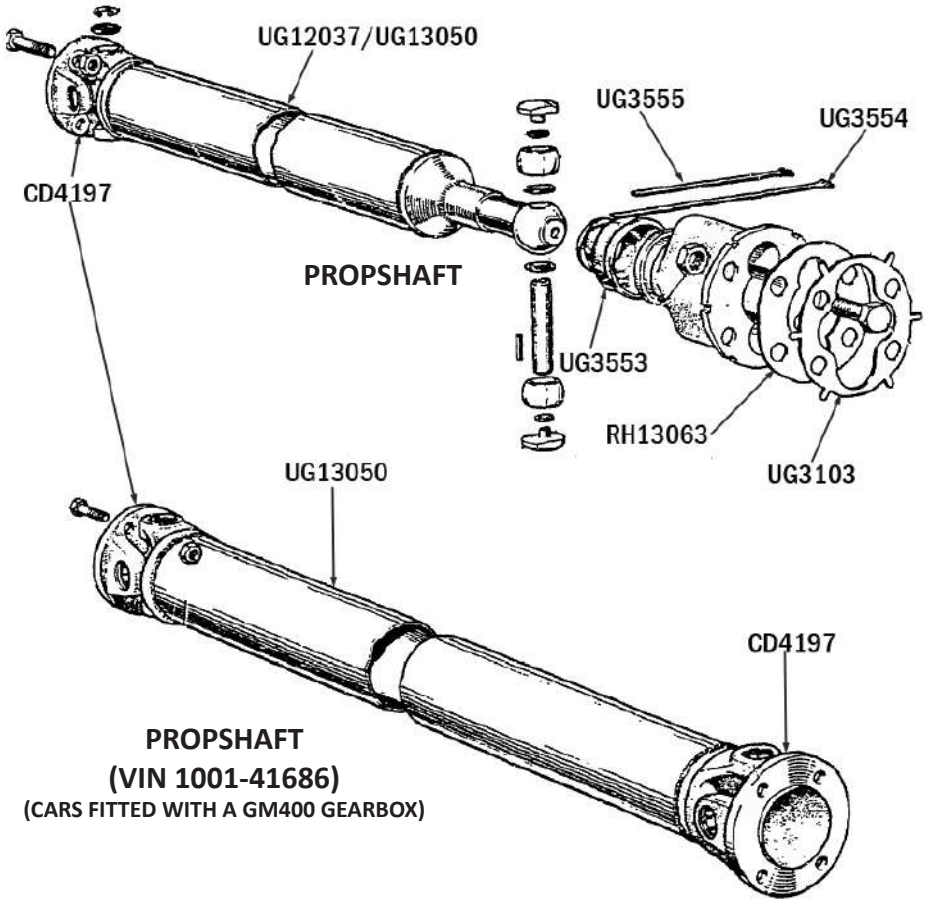
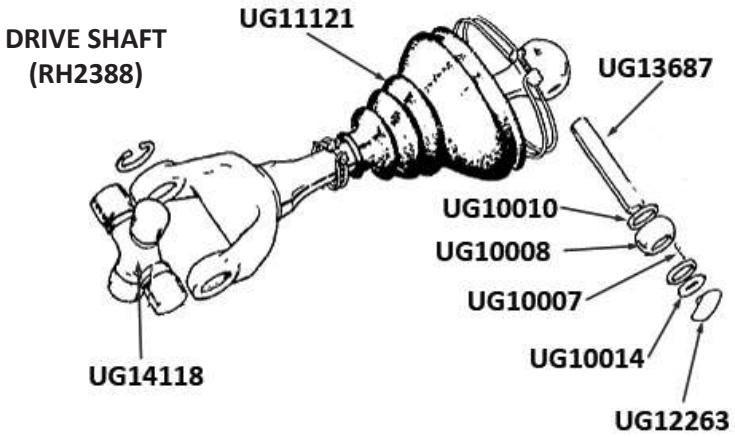
### Drive Shaft

1001-41686	DRIVE SHAFT ASSEMBLY	RH2388
1001-41686	DRIVESHAFT BOOT	UG11121
1001-41686	LARGE DRIVESHAFT BOOT JUBILEE CLIP	UG11119
1001-41686	SMALL DRIVESHAFT BOOT JUBILEE CLIP	UG11118
1001-41686	DRIVESHAFT UNIVERSAL JOINT	UG14118
1001-41686	LOBRO DRIVESHAFT MOD KIT	RH2939
1001-41686	TRUNION PIN (Driveshaft)	UG13687
1001-41686	NEEDLE RETAINING WASHER (Driveshaft trunion)	UG10010
1001-41686	OUTER RACE (Driveshaft trunion)	UG10008
1001-41686	NEEDLE ROLLER (Driveshaft trunion)	UG10007
1001-41686	SHIM 0.14" (Trunion race)	UG10014
1001-41686	END BUTTON (Driveshaft trunion)	UG12263

### Propshaft

1001-4485	PROPSHAFT (SWB cars with a 4 speed gearbox)	UG12037
1001-41686	PROPSHAFT (SWB cars with a GM400 gearbox)	UG13050
1001-41686	PROPSHAFT UNIVERSAL JOINT	CD4197
1001-4485	TRUNION RUBBER BOOT	UG3553
1001-4485	LARGE CLIP (For trunion boot)	UG3554
1001-4485	SMALL CLIP (For trunion boot)	UG3555
1001-4485	END COVER (Propshaft trunion)	UG3103
1001-4485	END COVER GASKET (Propshaft trunion)	RH13063

# TRANSMISSION & FINAL DRIVE - DRIVE SHAFT





## WHEELS & TYRES

See our website for alloy wheel upgrades.

### Steel Wheel & Hub Caps

1001-41686	STEEL ROAD WHEEL	UG13160
1001-41686	SPARE WHEEL CARRIER	UB13166
1001-10499	RR NON-VENTED HUB CAP	UG13194
1001-10499	BENTLEY NON-VENTED HUB CAP	UG13195
10500-41686	RR VENTED HUB CAP	UG14879
10500-41686	BENTLEY VENTED HUB CAP	UG14878
1001-41686	PAINTED HUB CAP RING	UR71222
1001-41686	HUB CAP PAINTED RING CLIP (6 per hub cap)	UG4158

### Two Piece Hubcaps (2 Door & LWB Models)

1001-41686	STEEL ROAD WHEEL	UG13160
9770-41686	OUTER HUB CAP (Corniche, Wraith & Spur)	UG13598
9770-41686	CLIP FOR OUTER HUB CAP (8 per hub cap)	UG13651
9770-41686	RR HUB CAP	UG14512
9770-41686	BENTLEY HUB CAP	UG14513
9770-41686	RR HUB CAP BADGE	UG13770
9770-41686	BENTLEY HUB CAP BADGE	UG13771

### Tyres

1001-18268	205VR15 AVON BLACK WALL TYRE	205VR15AVONBW
1001-5579	205VR15 PIRELLI CINTURATO BLACK WALL TYRE	205VR15PIRELLI
1001-18268	235 /70 X 15 MICHELIN BLACK WALL TYRE	235X70X15MICHELIN
18269-41686	235 /70 X 15 GALAXY WHITE WALL TYRE	235X70X15GAL
18269-41686	235 /70 X 15 AVON BLACK WALL TYRE	RH3106
18269-41686	235 /70 X 15 AVON WHITE WALL TYRE	RH3107

### Tyre Valve Caps

1001-41686	RR VALVE CAPS	RH20589
1001-41686	BENTLEY VALVE CAPS (Silver B / Black Background)	RH20791
1001-41686	BENTLEY VALVE CAPS (Silver B / Red Background)	3W0601367D

### Wheel Studs & Nuts

1001-41686	RH WHEEL NUT	UG4454
1001-41686	LH WHEEL NUT	UG4455
1001-11800	RH WHEEL STUD	UG12916
1001-11800	LH WHEEL STUD	UG12917
1001-11800	LOCK NUT - 500 UNF	UA355R
11801-41686	RH WHEEL STUD	UG13926
11801-41686	LH WHEEL STUD	UG13925

## WORKSHOP TOOLS

We try to offer a wide selection of tools in our Tool Loan Scheme. Please contact us if there is a particular tool you need that is not listed on the website.

### Workshop Tools

1001-41686	GREASE GUN	GREASEGUN
1001-41686	GREASE GUN ATTACHMENT	GREASEGUNEND
1001-41686	HD8 SU CARBURETTER SYNCHRONISING KIT (1959-76)	SUSYNCHTOOLP-2
1001-41686	HIF7 SU CARBURETTER SYNCHRONISING KIT (1977-86)	SUSYNCHTOOLP
1001-41686	UPPER BALL JOINT REMOVAL SPANNER	RH7775
1001-41686	TOOL FOR REMOVAL OF BOTTOM BALL JOINT	UR73256TOOL
1001-41686	BRAKE PUMP REMOVAL TOOL	RH8428
1001-41686	FRONT CRANK PULLEY EXTRACTION TOOL	RH7097
1001-41686	FRONT ROAD SPRING RETAINER	RH8809
1001-41686	REAR DETROIT HUB SPLITTING TOOL	RH9690DET
1001-41686	TOOL FOR REMOVAL OF ACCUMULATOR VALVE BODY PLUG	UE10294TOOL
1001-41686	PIN FOR ACCUMULATOR SPLITTING TOOL	RH8144DET2
1001-41686	WRENCH FOR REMOVAL OF HEIGHT CONTROL RAM	RH8051
1001-41686	TRACK ROD SEAT LOCATING TOOL	UR12750TOOL
1001-41686	LOAN OF STEERING RACK REMOVAL TOOL (1977-2003 Use for the RH bolt)	RH12124LOAN
1001-41686	LOAN OF STEERING RACK REMOVAL TOOL (1977-2003 Use for the LH bolt)	RH12125LOAN
1001-41686	LOAN OF CYLINDER LINER PULLER EXTENSION	RH7095EXTLOAN
1001-41686	LOAN OF CRANK REAR COVER PLATE & SEAL TOOL	UE7488LOAN
1001-41686	LOAN OF VALVE REMOVAL TOOL	RH7094LOAN
1001-41686	LOAN OF TRACK ROD END TOOL	RH9710LOAN
1001-41686	LOAN OF DIFF PINION TOOL	RH8457LOAN
1001-41686	LOAN OF AIR CON TEST BOX	RH8851LOAN
1001-41686	LOAN OF CYLINDER LINER PULLER	RH7095LOAN

# TABLE OF CONTENTS

IF THERE IS A PART YOU CANNOT FIND IN OUR PARTS LIST, PLEASE DO NOT HESITATE TO CONTACT US

Accumulator Spheres, 35	Boot, 21	Dashboard Switches, 50	Front Hub, 26,27
Accumulator Valves, 35	Brake Caliper Pistons, 26,27,29	Decoke Kit, 53	Fuel Filter, 69,113
Aerial, 51	Brake Calipers - Front, 26,27	Diff Carrier, 127	Fuel Pump, 69
Air Con Switches & Sensors , 5	Brake Calipers - Rear, 29	Differential, 132	Fuel Tank, 69
Air Con Switches, 50	Brake Discs - Front, 26,27	Distribution Valves, 33	Fuses & Relays, 49
Air Conditioning Compressor, 6	Brake Discs - Rear, 28	Distributor, 90,92	G Valves, 33
Air Conditioning Condenser, 6	Brake Fluid Reservoir, 32	Distributor Cap, 90,92,94	Gauges, 51
Air Conditioning Hoses, 6	Brake Fluid, 32,33,113	Door Handles, 18	Gear Selector, 82,84
Air Conditioning Servo, 5	Brake Hoses, 27,30	Door Mirrors, 19	Gearbox - 4 Speed, 82
Air Filter, 69,70,113	Brake Light Switches, 33	Door Mouldings, 18	Gearbox - GM400, 83,84,85
Air Trunking, 70	Brake Pads - Front, 26,27	Door Seal - 4 Door, 13	Gearbox Actuator, 86,87,88
Alternators, 41	Brake Pads - Rear, 29	Door Seal - 2 Door, 14	Gearbox Filter, 82,113
Anti-Roll Bar - Front, 120,121	Brake Pressure Switch, 35	Drive Belts, 6,64	Gearbox Fluid, 83,113
Anti-Roll Bar - Rear, 127	Brake Pumps, 34	Drive Shaft, 134	Gearbox Front Pump, 84
Badge Bars, 16	Brake Push Rods, 34	Dynamos, 41	Gearbox Oil Cooler, 85
Badges, 12,21	Bumpers - Chrome, 16	Electronic Ignition, 90,92,94	Grille Shell, 17
Ball Joints, 117	Bumpers - Rubber, 16	Emission Control, 64	Grille Vanes, 17
Ballast Resistor, 90,92,94	Camshaft, 62,63	Engine Gaskets, 53,54,55	Handbrake Cables, 29
Battery Cover, 41	Car Covers, 89	Engine Mounts, 64,82,83	Handbrake Pads, 29
Bearing Pins, 118,119	Carburettors, 71-77	Engine, 52	Head Gaskets, 53
Big End Bearings, 61	Central Door Locking, 48	Ester Air Con Oil, 6	Head Rest, 89
Bleed Nipples, 26,27,29	Choke Solenoid, 78,80	Evaporator, 5	Header Tanks, 40
Blower Motor, 8	Choke, 78,79,80,81	Expansion Valve, 6	Headlamp Bezels, 20
Body Brightware, 18	Chrome - Internal, 18	Exhaust Clamps, 74,76,78	Headlamp Washers, 48
Body Clips, 18	Cigar Lighter, 51	Exhaust Gaskets, 53,68	Headlamps, 45
Body Repair Panels, 22,23,24,25	Clocks, 51	Exhaust Manifolds, 68	Heater Actuator Motor, 9,10,11
Body Seals, 14,15	Coil, 90,92,94	Exhaust Pipes, 65,66,67	Heater Hoses, 9,10,11
Bonnet Hinge, 20	Compressor, 6	Exhaust Rocker, 62	Heater Matrix, 9,10,11
Bonnet Mouldings, 20	Con Rods, 60	Exhaust Valves, 62	Heater Switches, 50
Bonnet Pads, 20	Coolant , 40,113	Expansion Valve, 6	Heater Tap, 11
Bonnet Seals, 20	Coolant Hoses, 38,39	Fan Belts, 64	Height Control Ram, 123
Bonnet, 20	Cooling Fans, 36	Fan Speed Module, 5	Height Control Solenoid, 123
Boot Lid, 21	Crankshaft, 59	Floor Pans, 24	Height Control Valve, 123
Boot Handles, 21	Cruise Control, 70	Fog Lights, 45	Horns, 51
Boot Seals, 14,21	Cylinder Liner Seals, 60	Front Door Seals, 13,14	HT Leads, 90,92,94

TELEPHONE : 01455 292949 - EMAIL : [sales@flyingspares.co.uk](mailto:sales@flyingspares.co.uk)

WEBSITE : [www.flyingspares.com](http://www.flyingspares.com)

# TABLE OF CONTENTS

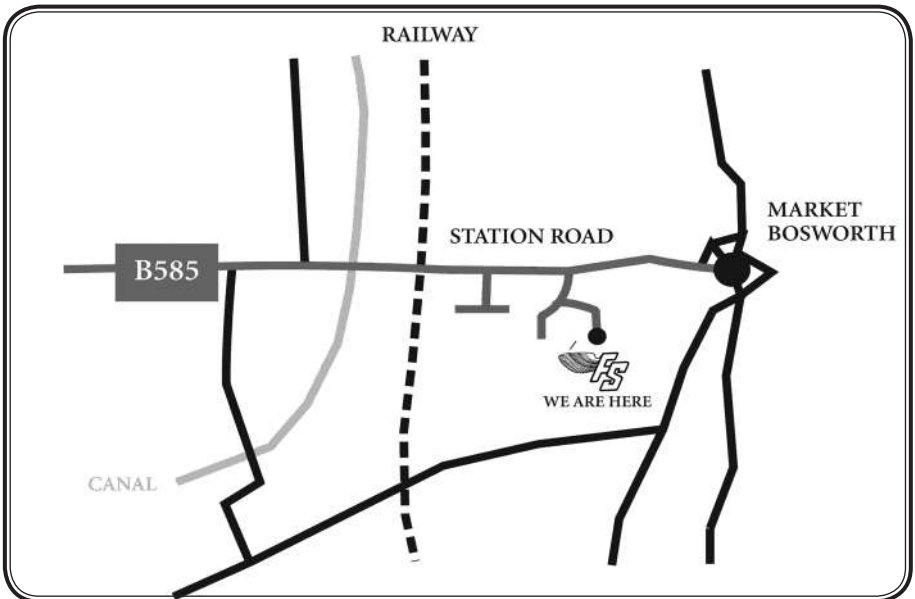
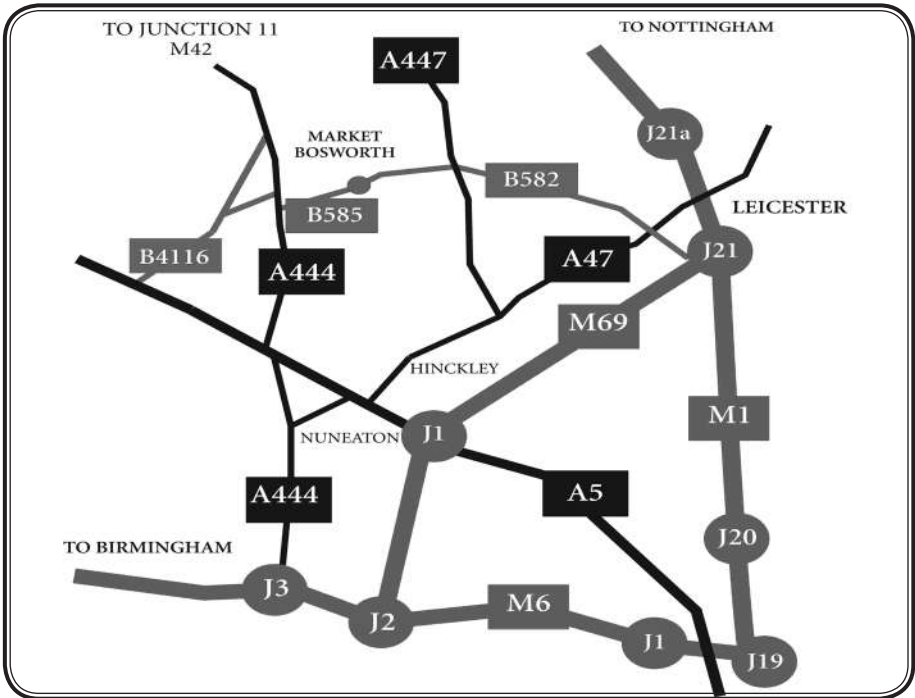
IF THERE IS A PART YOU CANNOT FIND IN OUR PARTS LIST, PLEASE DO NOT HESITATE TO CONTACT US

Hubcaps, 136	Rear Lamps, 46	Subframe - Front, 120,121	Wiper Motors, 47
Hydraulic Tappets, 62	Rear Screen Seal, 19	Subframe - Rear, 126	Wiper Switches, 50
Ignition Condenser, 90,92	Rear Screen, 19	Suction Throttling Valve, 6	Workshop Manuals, 89
Indicator Switches, 50	Receiver Drier, 6	Sump Gaskets, 53	Workshop Tools, 137
Indicators, 45,46	Regulators, 41	Suspension Pins & Bushes - Front, 118,119	
Inlet Rocker, 62	Ring Gear, 82,84	Switches, 50	
Inlet Valves, 62	Rocker Shaft, 62	Tax Disc Holders, 89	
Instruments, 51	Rotor Arm, 90,92,94	Temperature Transmitters, 36,49	
Jockey Pulley, 64	Rugs, 89	Thermal Fuse, 5	
Keys & Locks, 12	Seat Electrics, 48	Thermostat, 36	
Leathercare, 89	Senders & Transmitters, 52	Thrust Washers, 61	
Liners, 60	Shock Absorbers - Front, 114,115,116	Tools, 129,130,131	
Locks & Keys, 12,21	Shock Absorbers - Rear, 124,125	Torque Arm, 126	
Main Bearings, 61	Side Lights, 45	Torque Converter, 83	
Mascots, 12	Sill Mouldings, 18	Track Rod, 109,110,111,112	
Master Cylinder, 33	Sills, 24	Trailing Arm - Rear, 128	
Mirrors - Door, 19	Small End Bearings, 61	Transmitters & Senders, 36,49	
Moulding Clips, 18	Spark Plugs, 90,92,94,113	Tyres, 136	
Number Plate Lamps, 46	Speedo Cable, 51,70,85	Vallances, 24	
Oil Breather, 58	Speedo Transducer, 49,51,70,85	Valve Caps, 89,136	
Oil Filler, 58	Speedometer, 51	Viscous Coupling, 36	
Oil Filter, 52,113	Spring Cup Repair Section, 24,128	Washer Bottle, 47,48	
Oil Pump, 56,57	Springs - Front, 114,115,116	Water Pumps, 36,37	
Pag 3 Oil, 6	Springs - Rear, 124,125	Wheel Arches, 22,23,25	
Parts Lists, 89	Starter Motors, 41	Wheel Bearings - Front, 26,27	
Pistons, 60	Steam Valves, 40	Wheel Bearings - Rear, 28	
Poast Valve, 6	Steering Box, 96,97,98,99	Wheel Nuts, 136	
Points, 90,92	Steering Column, 107,108	Wheel Studs, 136	
Pollen Filter, 5	Steering Hoses, 100,102,104	Wheels, 136	
Propshaft, 134	Steering Idler Box, 106	Window Lift Motor, 42,43,44	
Radiator Caps, 40	Steering Oil Cooler, 98,104	Windscreen Seal, 19	
Radiators, 40	Steering Pump, 100,101,102,103	Windscreen, 19	
Rear Door Seals - LWB, 13	Steering Rack, 104,105	Wing Mouldings, 18	
Rear Door Seals - SWB, 13	Steering Wheel, 107	Wing Repair Sections, 27,28	
Rear Hub, 28	Stove Pipes, 68	Wiper Blades, 113	

TELEPHONE : 01455 292949 - EMAIL : [sales@flyingspares.co.uk](mailto:sales@flyingspares.co.uk)

WEBSITE : [www.flyingspares.com](http://www.flyingspares.com)

## LOCATION - HOW TO FIND US



LOCATED IN MARKET BOSWORTH, WE ARE CONVENIENTLY PLACED IN THE CENTRE OF THE MOTORWAY NETWORK. ONLY MINUTES FROM THE M6, M1, M42 AND M69.

# Flying Spares Limited

Rossendale House  
Station Road Industrial Estate  
Market Bosworth  
Warwickshire  
CV13 0PE  
UK

Telephone : +44 (0) 1455 292949

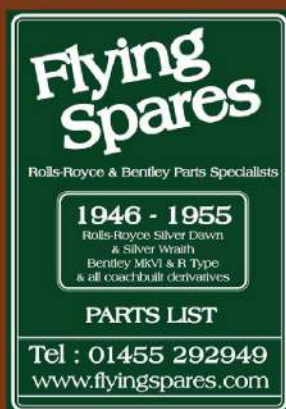
Email : [sales@flyingspares.co.uk](mailto:sales@flyingspares.co.uk)

Website : [www.flyingspares.com](http://www.flyingspares.com)

OPENING HOURS :

Monday to Friday : 7.00am - 5.00pm GMT

You maybe interested in our other parts lists...




**Flying Spares**  
Rolls-Royce & Bentley Parts Specialists

**1946 - 1955**  
Rolls-Royce Silver Dawn & Silver Wraith  
Bentley MKVI & R Type  
& all coachbuilt derivatives

**PARTS LIST**

Tel : 01455 292949  
[www.flyingspares.com](http://www.flyingspares.com)

1946-55



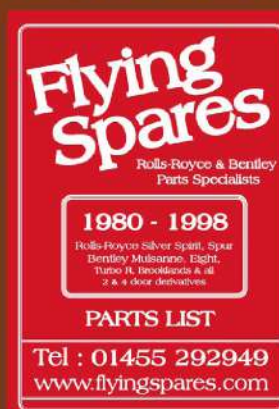
**Flying Spares**  
Rolls-Royce & Bentley Parts Specialists

**1955-1965**  
Rolls-Royce Silver Cloud I/II/III  
Bentley S1/S2/S3  
& all Coachbuilt derivatives

**PARTS LIST**

Tel : 01455 292949  
[www.flyingspares.com](http://www.flyingspares.com)

1955-65



**Flying Spares**  
Rolls-Royce & Bentley Parts Specialists

**1980 - 1998**  
Rolls-Royce Silver Spirit, Spur  
Bentley Mulsanne Eight,  
Turbo R, Brooklands A & all  
2 & 4 door derivatives

**PARTS LIST**

Tel : 01455 292949  
[www.flyingspares.com](http://www.flyingspares.com)

1980-98

Order your FREE copy today!

2020 EDITION